

H5M OUTDOOR DOME CAMERA

2 MP

5 MP

The Avigilon H5M camera provides a cost-effective solution for budget-conscious video surveillance projects and is beneficial for sites that require a small footprint camera for outdoor use. The H5M camera can handle tough environmental conditions while offering advanced AI technology for faster response times and simple installation — all backed by the Avigilon made-to-trust quality guarantee of a 5-year warranty.



FEATURES



UNUSUAL MOTION DETECTION

Uses AI to notify you of unusual events that might otherwise have been missed, offering increased situational awareness and helping you effectively monitor more cameras.



LIGHTCATCHER™ TECHNOLOGY

Offers excellent image detail in low-light settings.



DUAL EXPOSURE WIDE DYNAMIC RANGE

Capture details in scenes with both very bright and dark areas.



ONVIF® COMPLIANT

Built on an open platform to allow integration with other security solutions.



H.265 AND H.264 HDSM SMARTCODEC™ TECHNOLOGY

Optimizes compression levels for regions in a scene to help maximize bandwidth savings, helping to keep internet connectivity costs down.



WEATHER AND IMPACT RATED

Certified to IP66 weather rating and IK08 impact rating for vandal resistance.



MADE IN AMERICA AND 5 YEAR WARRANTY

Made in America using U.S. and globally sourced parts, we stand behind the quality of our H5M cameras with a 5-year, industry-leading warranty.

ONVIF is a trademark of Onvif, Inc.

SPECIFICATIONS

IMAGE PERFORMANCE		2.0 MP	5.0 MP
Image Sensor		1/2.8" progressive scan CMOS	
Max Resolution (H x V) and Aspect Ratio		(16:9) 1920 x 1080 (4:3) 1280 x 960 (5:4) 1280 x 1024 (16:9) 1280 x 720	(4:3) 2592 x 1944 (5:4) 2560 x 1440
Imaging Area (H x V)		4.8 mm x 2.7 mm; 0.189" x 0.106"	
Dynamic Range	WDR Off	83 dB	83 dB
	WDR On	110 dB (dual exposure)	110 dB (dual exposure)
Max Image Rate		(50 Hz/60 Hz): 25 fps/30 fps	(50 Hz/60 Hz): 25 fps/24 fps
Resolution Scaling		Down to 384 x 216	
Camera Operating Mode		N/A	Full feature or high framerate mode (UMD disabled in high framerate mode)
Bandwidth Management		HDSM SmartCodec technology; Idle scene mode	
3D Noise Reduction Filter		Yes	

LENS AND IR ILLUMINATION			
Lens		2.8 mm, F1.2, IR Corrected	
Minimum Illumination	With IR	0 lux in color or monochrome mode	
	Without IR	0.01 lux in color mode; 0.005 lux (F/1.2) in monochrome mode	0.03 lux in color mode; 0.015 lux (F/1.2) in monochrome mode)
IR illumination (high power 850 nm LEDs)		15 m (50 ft) max. distance at 0 lux	
Horizontal Angle of View Based on Aspect Ratio		(16:9) 112°; (5:4) 72°; (4:3) 82°	(5:4) 103°; (4:3) 104°
Vertical Angle of View Based on Aspect Ratio		(16:9) 62°; (5:4) 58°; (4:3) 61°	(5:4) 67°; (4:3) 77°
Max Aperture		F1.2	
Control		Fixed	

IMAGE CONTROL	
Image Compression Method	H.264 HDSM SmartCodec, H.265 HDSM SmartCodec, Motion JPEG
Streaming	Multi-stream H.264, Multi-stream H.265, Motion JPEG
Motion Detection	Pixel and Unusual Motion Detection (UMD)
Camera Tamper Detection	Yes
Electronic Shutter Control	Automatic, Manual (1/7.5 to 1/8000 sec)
Iris Control	None
Day/Night Control	Automatic, Manual
Flicker Control	50 Hz, 60 Hz
White Balance	Automatic, Manual
Backlight Compensation	Adjustable
Privacy Zones	Up to 64 zones

NETWORK	
Network	100BASE-TX, RJ45 Connector, CAT5 Cabling
ONVIF	ONVIF compliance Profile S, Profile T (www.onvif.org)
Security	Password protection, HTTPS encryption, digest authentication, WS authentication, user access log, 802.1x port based authentication

NETWORK

Protocols	IPv6, IPv4, HTTP, HTTPS, SOAP, DNS, NTP, RTSP, RTCP, RTP, TCP, UDP, IGMPv2, ICMP, DHCP, Zeroconf, ARP, HSTS
Streaming Protocols	RTP/UDP, RTP/UDP multicast, RTP/RTSP/TCP, RTP/RTSP/HTTP/TCP, RTP/RTSP/HTTPS/TCP, HTTP
Device Management Protocols	SNMP v2c, SNMP v3

MECHANICAL

	SURFACE MOUNT	IN-CEILING MOUNT
Dimensions (LxWxH)	100 mm × 100 mm × 115 mm; 3.9" × 3.9" × 4.5"	101 mm × 101 mm × 162 mm; 4.0" × 4.0" × 6.4"
Max. Ceiling Thickness	N/A	1.0"
Weight	0.355 kg; 0.78 lbs	0.37 kg; 0.82 lbs
Body	Polycarbonate and aluminum	
Housing	Polycarbonate	
Finish	Plastic, injection molded, close to RAL9002	
Adjustment Range	360° pan, ±180° azimuth, 0° – 90° tilt	

ELECTRICAL

Power Consumption	8 W
Power Source	PoE: IEEE802.3af Class 0 compliant

ENVIRONMENTAL

Operating Temperature	-30 °C to +55 °C (-22 °F to 131 °F)
Storage Temperature	-40 °C to +70 °C (-40 °F to 158 °F)
Humidity	0 - 95% non-condensing

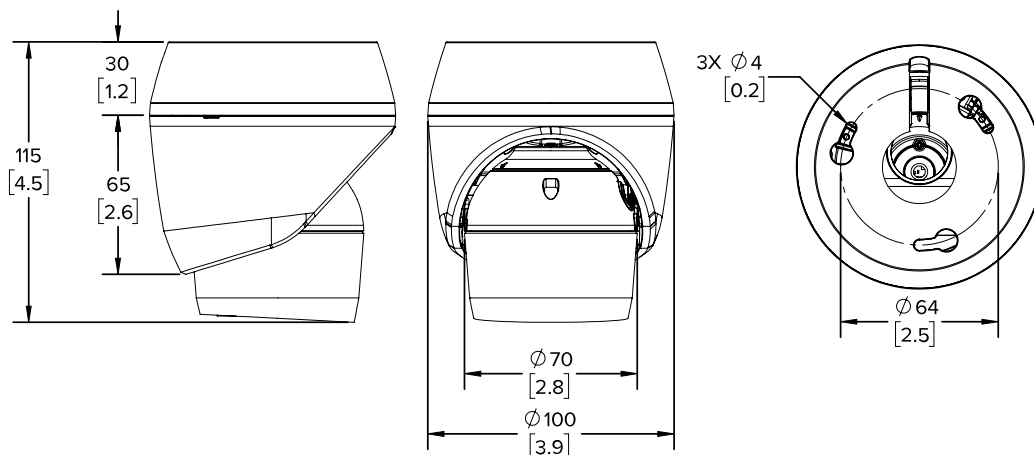
CERTIFICATIONS

Certifications/Directives	UL, cUL, CE, ROHS, RCM, EAC, KC, BIS, UKCA, NOM
Safety	UL 62368-1, CSA 62368-1, IEC/EN 62368-1, IEC 62471
Environmental	IP66 Weather Rating and IK08 Impact Rating
Electromagnetic Emissions	FCC Part 15 Subpart B Class B, IC ICES-003 Class B, EN 55032 Class B, EN 61000-6-3, EN 61000-3-2, EN 61000-3-3
Electromagnetic Immunity	EN 55024, EN 61000-6-1

OUTLINE DIMENSIONS

SURFACE MOUNT OUTDOOR DOME CAMERA (H5M-DO)

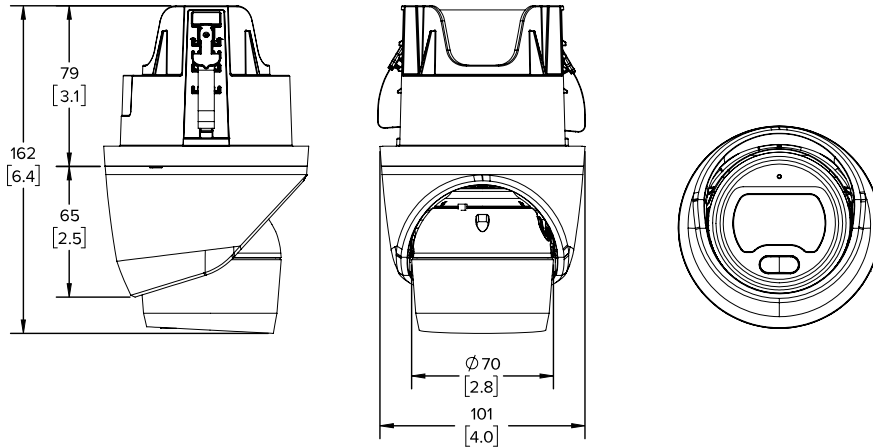
[X.X]	INCHES
X	MM



IN-CEILING DOME CAMERA

(H5M-DO + H5M-MT-DCIL1)

[X.X]	INCHES
X	MM



ORDERING INFORMATION

	MP	WDR	LIGHTCATCHER TECHNOLOGY	LENS	IR	IP66	HDSM SMARTCODEC
2.0C-H5M-DO1-IR	2.0	✓	✓	2.8 mm	✓	✓	✓
5.0C-H5M-DO1-IR	5.0	✓	✓	2.8 mm	✓	✓	✓
H5M-DO-BZL1	Package of 4 camera shroud replacement parts for the H5M dome cameras						
H5M-MT-DCIL1	In-ceiling mount adapter for H5M dome cameras						

SUPPORT

Learn more and find additional documentation at avigilon.com or email sales@avigilon.com for specific product support.



Jul 2022 | Rev 6

© 2021 - 2022, Motorola Solutions, Inc. All rights reserved. MOTOROLA, MOTO, MOTOROLA SOLUTIONS, and the Stylized M Logo are trademarks or registered trademarks of Motorola Trademark Holdings, LLC and are used under license. AVIGILON, the AVIGILON logo, AVIGILON CONTROL CENTER, ACC, HDSM SmartCodec and LIGHTCATCHER are trademarks of Avigilon Corporation. The absence of the symbols ™ and ® in proximity to each trademark in this document or at all is not a disclaimer of ownership of the related trademark. All other trademarks are the property of their respective owners.

sales@avigilon.com | avigilon.com