

DM-D30

Technical Reference Guide

Product Overview

Describes features for this product.

Setup

Describes how to install and set this product.

Handling

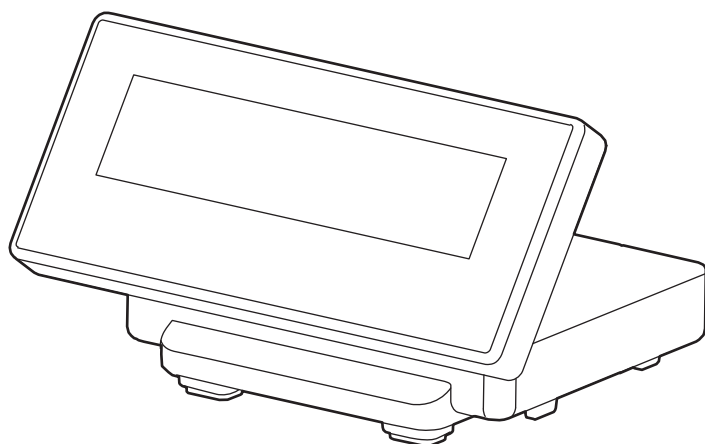
Describes the basic usage of this product.

Application Development Information

Describes how to control this product and information necessary for developing applications.

Appendix

Describes the specifications and character code tables.



Cautions

- No part of this document may be reproduced, stored in a retrieval system, or transmitted in any form or by any means, electronic, mechanical, photocopying, recording, or otherwise, without the prior written permission of Seiko Epson Corporation.
- The contents of this document are subject to change without notice. Please contact us for the latest information.
- While every precaution has been taken in the preparation of this document, Seiko Epson Corporation assumes no responsibility for errors or omissions.
- Neither is any liability assumed for damages resulting from the use of the information contained herein.
- Neither Seiko Epson Corporation nor its affiliates shall be liable to the purchaser of this product or third parties for damages, losses, costs, or expenses incurred by the purchaser or third parties as a result of: accident, misuse, or abuse of this product or unauthorized modifications, repairs, or alterations to this product, or (excluding the U.S.) failure to strictly comply with Seiko Epson Corporation's operating and maintenance instructions.
- Seiko Epson Corporation shall not be liable against any damages or problems arising from the use of any options or any consumable products other than those specified as Original Epson Products or Epson Approved Products by Seiko Epson Corporation.

Trademarks

EPSON is a registered trademark of Seiko Epson Corporation.

Exceed Your Vision and ESC/POS are registered trademarks or trademarks of Seiko Epson Corporation.

Microsoft and Windows are registered trademarks of Microsoft Corporation in the United States and/or other countries.

IOS is a trademark or registered trademark of Cisco in the U.S. and other countries and is used under license.

Android is a trademark of Google, Inc..

Wi-Fi® is a registered trademark of Wi-Fi Alliance®.

All other trademarks are the property of their respective owners and used for identification purpose only.

ESC/POS® Proprietary Command System

Epson took the initiative by introducing ESC/POS, a proprietary POS printer command system, which includes patented or patent pending commands and enables versatile POS system construction with high scalability.

Compatible with all types of Epson POS printers and displays, this proprietary control system also offers the flexibility to easily make future upgrades. Its popularity is worldwide.



ESC/POS is designed to reduce the processing load on the host computer in POS environments. It comprises a set of highly functional and efficient commands that enables the full realization of the potential of printers.

© Seiko Epson Corporation 2015. All rights reserved.


For Safety

Key to Symbols

The symbols in this manual are identified by their level of importance, as defined below. Read the following carefully before handling the product.

 WARNING	You must follow warnings carefully to avoid serious bodily injury.
 CAUTION	Provides information that must be observed to prevent damage to the equipment or loss of data. <ul style="list-style-type: none">• Possibility of sustaining physical injuries.• Possibility of causing physical damage.• Possibility of causing information loss.
CAUTION	Provides information that must be observed to avoid damage to your equipment or a malfunction.
NOTE	Provides important information and useful tips.

Warnings

 WARNING	<ul style="list-style-type: none">• Shut down your equipment immediately if it produces smoke, a strange odor, or unusual noise. Continued use may lead to fire. Immediately disconnect the USB cable and contact your dealer or a Seiko Epson service center for advice.• Never attempt to repair this product yourself. Improper repair work can be dangerous.• Never disassemble or modify this product. Tampering with this product may result in injury or fire.• Do not allow foreign matter to fall into the equipment. Penetration by foreign objects may lead to fire.• If water or other liquid spills into this equipment, disconnect the USB cable immediately, and then contact your dealer or a Seiko Epson service center for advice. Continued usage may lead to fire.
---	--

Cautions



CAUTION

- Do not connect cables and external interfaces in ways other than those mentioned in the manual. Different connections may cause equipment damage and burning.
- Be sure to set this equipment on a firm, stable, horizontal surface. The product may break or cause injury if it falls.
- Do not use in locations subject to high humidity or dust levels. Excessive humidity and dust may cause equipment damage or fire.
- Do not place heavy objects on top of this product. Never stand or lean on this product. Equipment may fall or collapse, causing breakage and possible injury.
- If you do not use this product for an extended period of time, always disconnect the USB cable for safety. If you move the product, ensure that all of the cables are disconnected before moving it.
- Do not use aerosol sprayers containing flammable gas inside or around this product. Doing so may cause fire.

Restriction of Use

When this product is used for applications requiring high reliability/safety, such as transportation devices related to aviation, rail, marine, automotive, etc.; disaster prevention devices; various safety devices, etc.; or functional/precision devices, etc., you should use this product only after giving consideration to including fail-safes and redundancies into your design to maintain safety and total system reliability. Because this product was not intended for use in applications requiring extremely high reliability/safety, such as aerospace equipment, main communication equipment, nuclear power control equipment, or medical equipment related to direct medical care, etc., please make your own judgment on this product's suitability after a full evaluation.

About this Manual

Aim of the Manual

This manual provides the development engineers with necessary information for developing, designing, installing the system using DM-D30 as well as for developing and designing the applications.

Manual Content

The manual is made up of the following sections:

Chapter 1	Product Overview
Chapter 2	Setup
Chapter 3	Handling
Chapter 4	Application Development Information
Appendix	Product Specifications Character Code Tables



Contents

■ For Safety	3
Key to Symbols.....	3
Warnings	3
Cautions.....	4
■ Restriction of Use	5
■ About this Manual	5
Aim of the Manual	5
Manual Content.....	5
■ Contents.....	7

Product Overview

11

■ Features	11
■ Product Structure.....	11
Accessories	11
■ Part Names and Functions	12
■ System Outline	13
Connecting with TM-m30	13
Connecting with Computer	13

Setup

15

■ Connecting to the Printer.....	15
■ Connecting to the Computer	16
■ Connecting the Printer's Wireless LAN Unit.....	17
■ Drawing Out the Cable.....	19
■ Affixing the Customer Display.....	20
■ Memory Switch Setting	21

Handling

23

■ Turning the Power On/Off	23
■ Changing the Angle of the Display Unit.....	23
■ Adjusting the Contrast	23
■ Cleaning the Customer Display	24

***Application Development Information* 25**

■ Controlling the Customer display	25
ePOS-Print XML	25
ESC/POS	25
■ Software	26
Development Kits	26
Drivers	26
Manuals	27
Download	27

***Appendix*..... 29**

■ Product Specifications	29
Environmental Conditions	29
External Dimensions and Mass	30
■ Character Code Tables	31
Common to All Pages	31
Page 0 [PC437: USA, Standard Europe]	32
Page 1 (Katakana)	33
Page 2 (PC850: Multilingual)	34
Page 3 (PC860: Portuguese)	35
Page 4 (PC863: Canadian-French)	36
Page 5 (PC865: Nordic)	37
Page 11 (PC851: Greek)	38
Page 12 (PC853: Turkish)	39
Page 13 (PC857: Turkish)	40
Page 14 (PC737: Greek)	41
Page 15 (ISO8859-7: Greek)	42
Page 16 (WPC1252)	43
Page 17 (PC866: Cyrillic #2)	44
Page 18 (PC852: Latin 2)	45
Page 19 (PC858: Euro)	46
Page 30 (TCVN-3: Vietnamese)	47
Page 31 (TCVN-3: Vietnamese)	48
Page 32 (PC720: Arabic)	49
Page 33 (WPC775: Baltic Rim)	50
Page 34 (PC855: Cyrillic)	51
Page 35 (PC861: Icelandic)	52
Page 36 (PC862: Hebrew)	53
Page 37 (PC864: Arabic)	54
Page 38 (PC869: Greek)	55
Page 39 (ISO8859-2: Latin 2)	56
Page 40 (ISO8859-15: Latin 9)	57
Page 41 (PC1098: Farsi)	58
Page 42 (PC1118: Lithuanian)	59
Page 43 (PC1119: Lithuanian)	60
Page 44 (PC1125: Ukrainian)	61

Page 45 (WPC1250: Latin 2).....	62
Page 46 (WPC1251: Cyrillic).....	63
Page 47 (WPC1253: Greek).....	64
Page 48 (WPC1254: Turkish).....	65
Page 49 (WPC1255: Hebrew).....	66
Page 50 (WPC1256: Arabic).....	67
Page 51 (WPC1257: Baltic Rim).....	68
Page 52 (WPC1258: Vietnamese).....	69
Page 53 (KZ1048: Kazakhstan).....	70
Page 254 (User-Defined Page).....	71
Page 255 (User-Defined Page).....	72
International Character Sets.....	73



Product Overview

This chapter describes features of the product.

Features

DM-D30 is a customer display for displaying characters. The main features of this product are as follows.

Display

- 20 digit x 2 lines dot matrix for displaying half-width characters.

Usability

- Compact.
- You can move the display section up and down to adjust the position so it is easy to see.
- Power supply to the product is USB bus power.

Interface

- By connecting to the TM-m30 USB connector (for connecting a Wireless LAN unit), you can control the printer using a smart device (iOS, Android, and Windows).
- You can connect to the TM-m30 USB connector (for connecting a Wireless LAN unit), and a Windows PC USB connector.
- When connecting to the TM-m30's dedicated USB connector (for connecting a Wireless LAN unit), you can mount the TM-m30's Wireless LAN unit to the DM-D30's Wireless LAN unit connector.

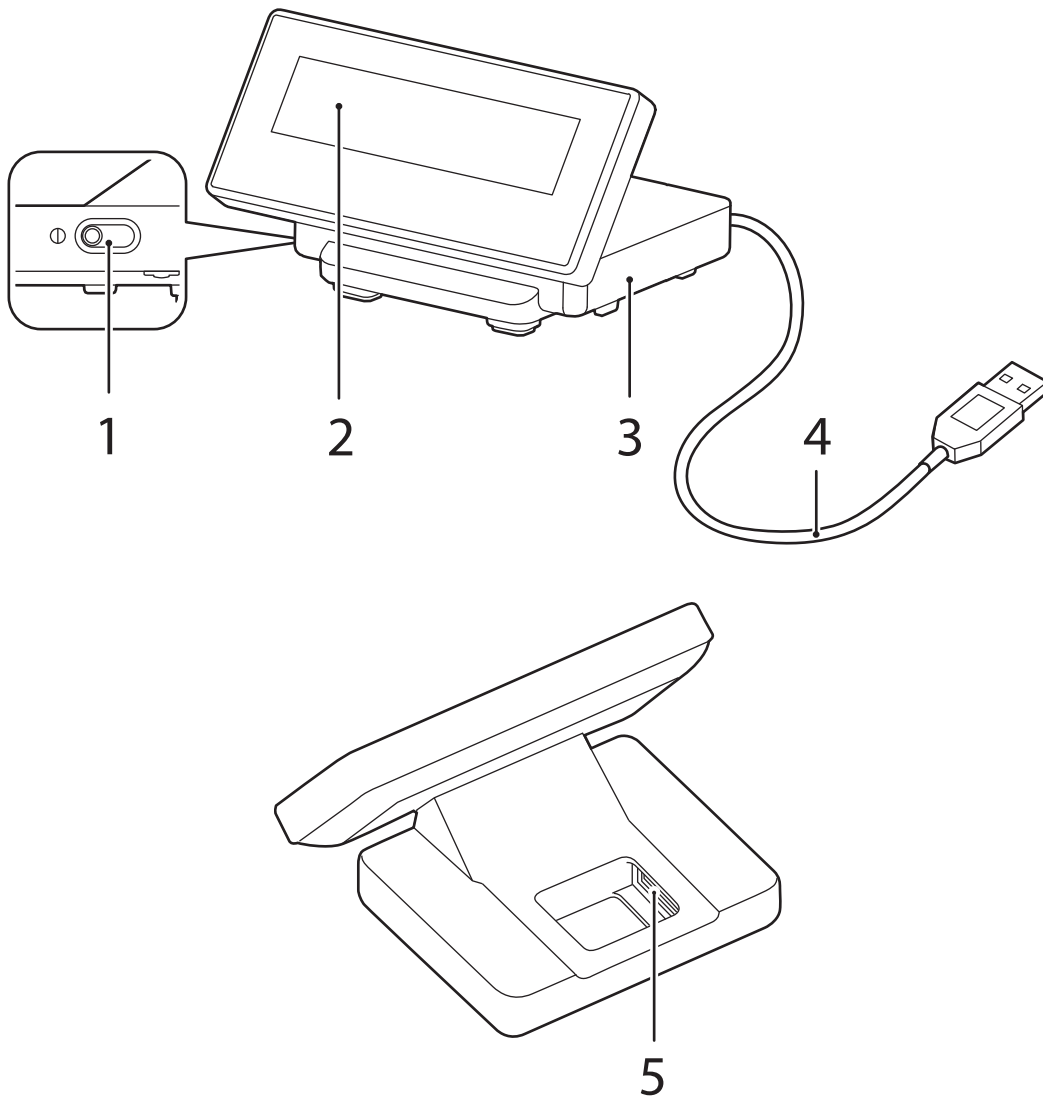
Product Structure

Accessories

Included

- Affixing tape
- Manual

Part Names and Functions



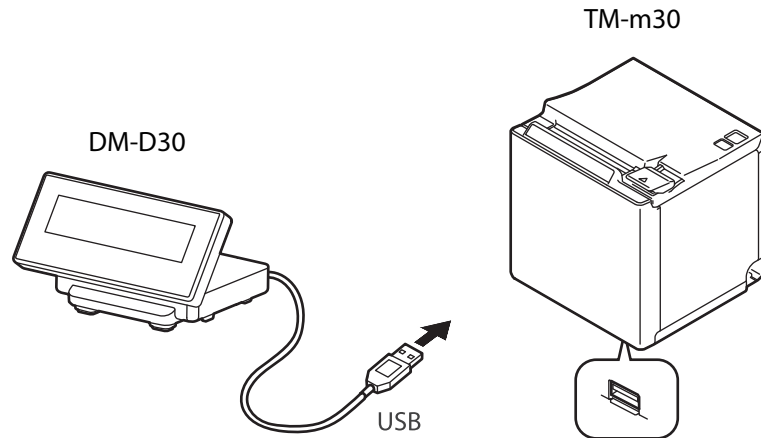
1	Contrast adjustment control	Move this to adjust the contrast of the LCD screen.
2	Display	Displays on the LCD screen. You can adjust the angle of the display. Note: The display is covered with a protective film. Remove it if necessary.
3	Stand	Supports the display unit. Place it on a flat surface.
4	USB cable	Use to connect to the printer or a computer.
5	Wireless LAN unit connector	Use to connect the Wireless LAN unit that is pre-installed to the printer's USB connector, when connecting to a Wi-Fi® model printer.

System Outline

This section explains the system connection pattern using this product.

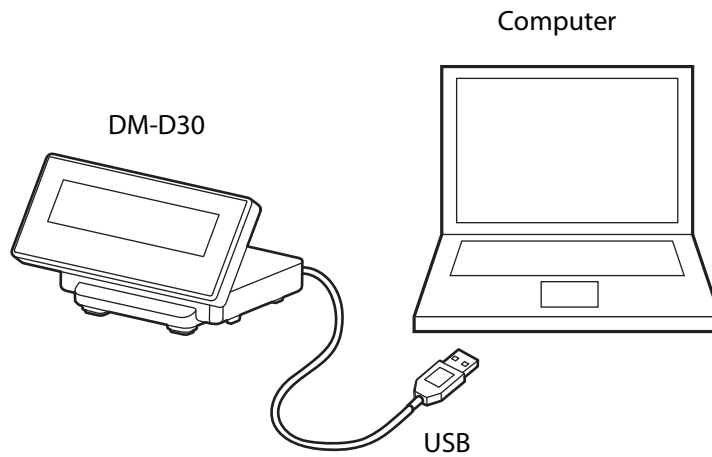
Connecting with TM-m30

Connect this product's USB cable to the TM-m30. Power is supplied from the TM-m30.



Connecting with Computer

Connect this product's USB cable to the computer. Power is supplied from the computer.

**CAUTION**

- When connecting to a bus power hub, this product may not always operate.
- Install the driver you are using before connecting.

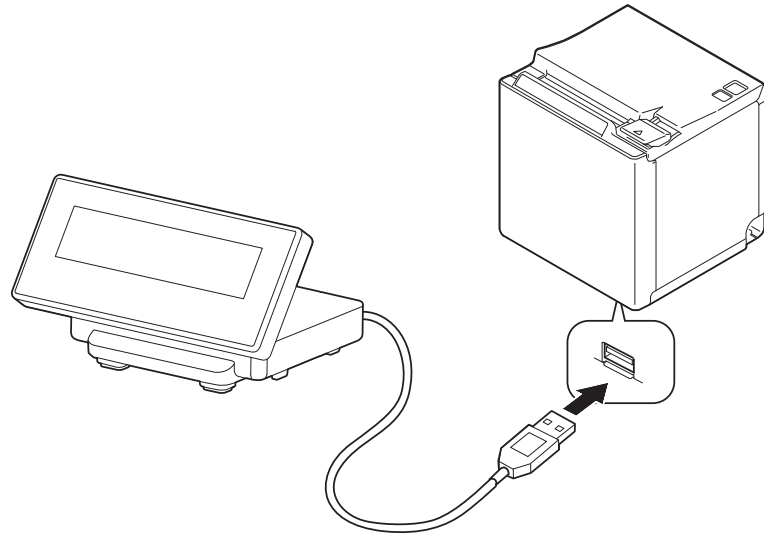


Setup

This chapter explains the installation and setting operations necessary to use this product.

Connecting to the Printer

Connect the USB cable of the customer display to the USB connector on the printer.

**CAUTION**

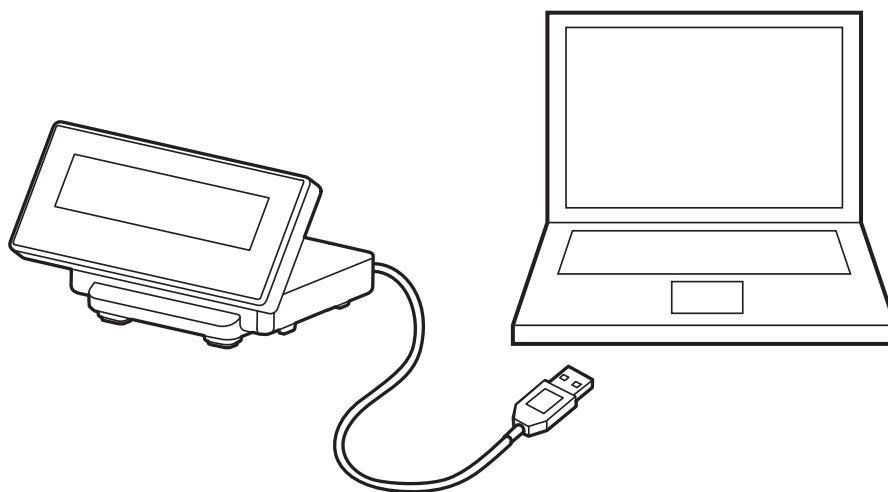
- When you connect the USB cable to the printer, be sure to turn off the printer before connecting.
- We do not recommend using this USB bus power device with a USB extension cable. Depending on the configuration of the cable, operational errors or a deterioration in EMC characteristics may occur due to a drop in voltage.

NOTE

For the position of connectors on the printer and so on, see the documentation provided with the printer.

Connecting to the Computer

Connect the USB cable of the customer display to the USB connector on the computer.



CAUTION

We do not recommend using this USB bus power device with a USB extension cable. Depending on the configuration of the cable, operational errors or a deterioration in EMC characteristics may occur due to a drop in voltage.

Connecting the Printer's Wireless LAN Unit

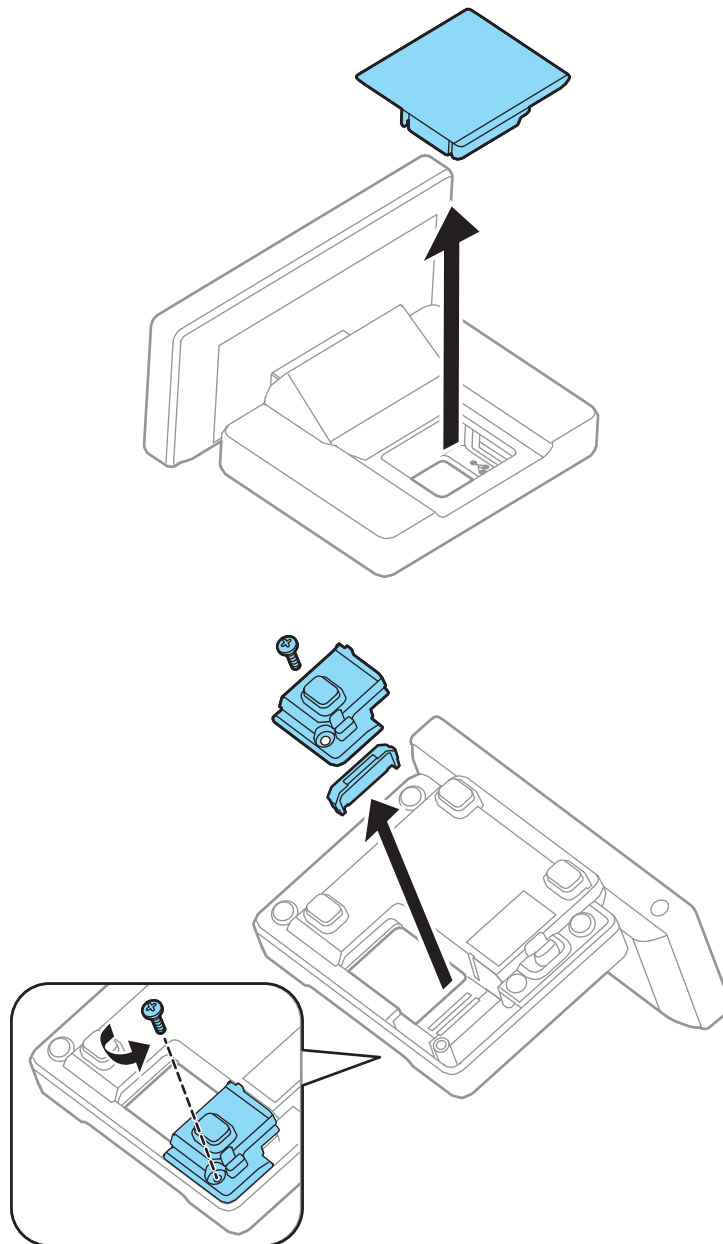
When the Wireless LAN unit is connected to the printer's USB connector and there are no free USB connectors, you can use the Wireless LAN unit and the customer display at the same time by connecting the Wireless LAN unit to the Wireless LAN unit connector on this device.

NOTE

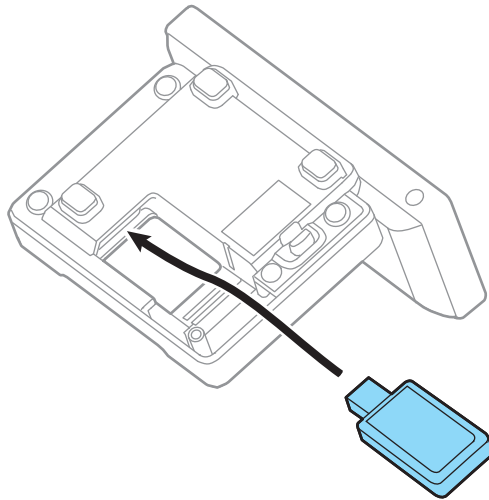
You can only use the optional Wireless LAN unit supported by the TM printer.

Follow the steps below to connect the Wireless LAN unit to the device's Wireless LAN unit connector.

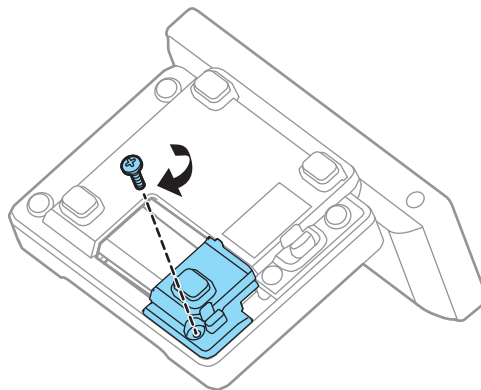
- 1** Remove the covers for the top and bottom of the stand as shown in the illustration.



2 Connect the Wireless LAN unit to the Wireless LAN unit connector.



3 Reattach the cover for the bottom. Keep the cover for the stand removed.

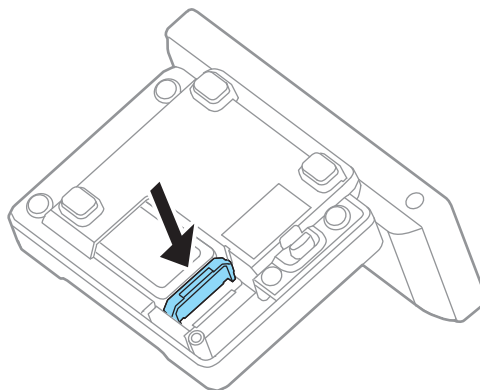


CAUTION

- Do not place anything in the upper section (cover opening) of the Wireless LAN unit. If heat is not allowed to dissipate when using the product, it may lead to a malfunction.
- Do not use a USB extension cable. Operational errors may occur due to a drop in voltage.

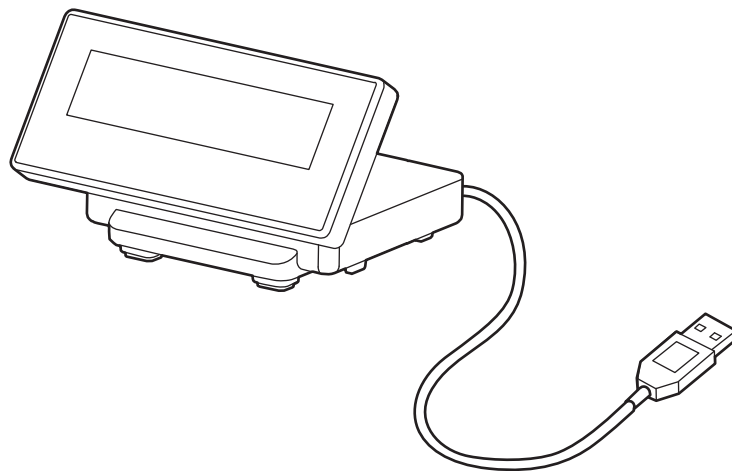
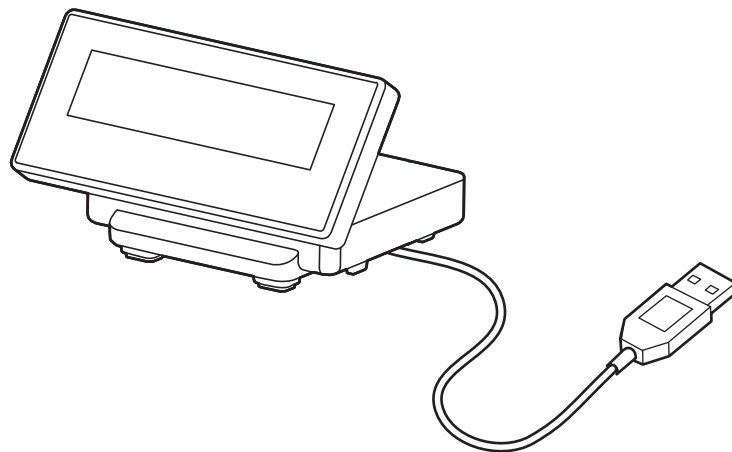
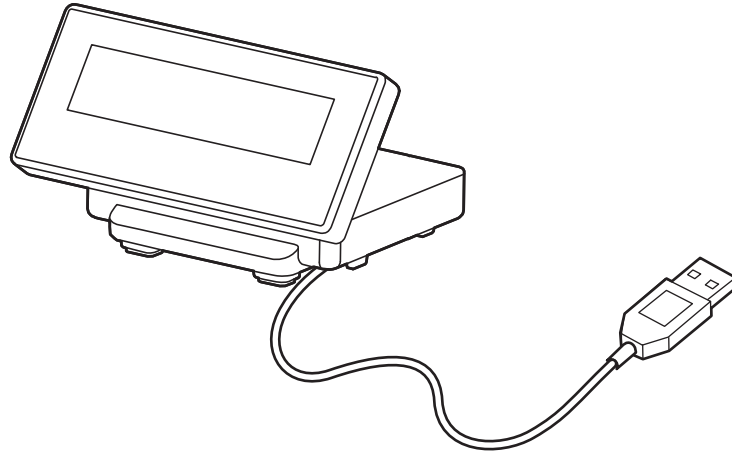
NOTE

Install dividers if necessary depending on the length of the Wireless LAN unit.



Drawing Out the Cable

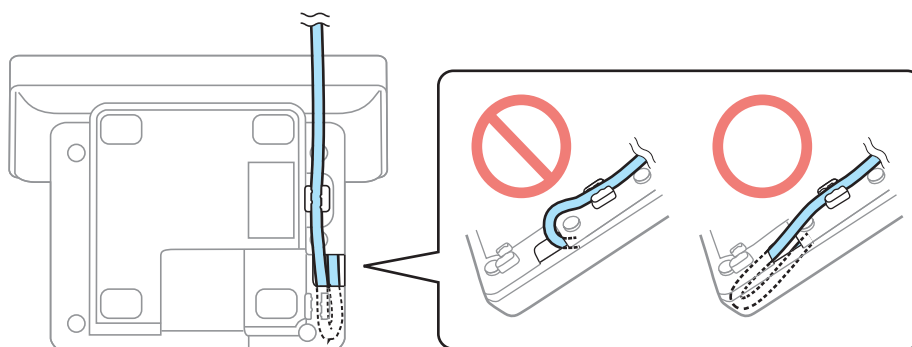
You can draw out the USB cable from the front, the side, or the back.

**CAUTION**

Be sure to turn off the power on the printer when connecting USB cable to the printer.

NOTE

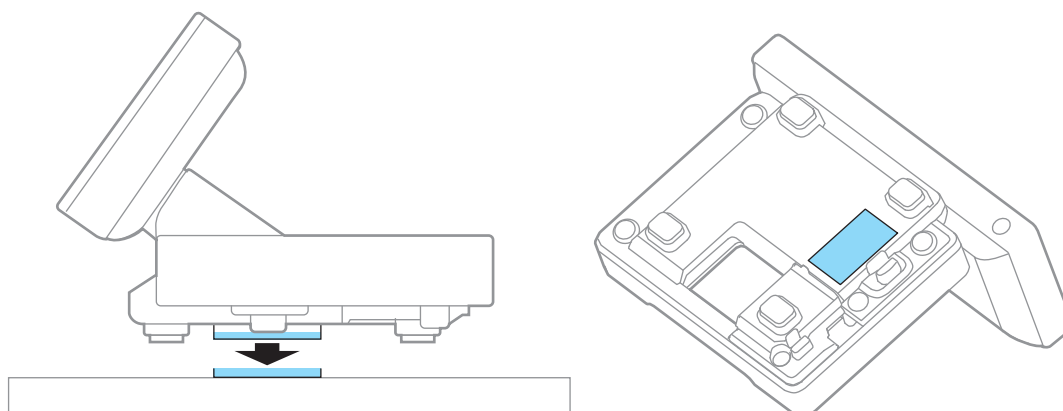
If you draw the cable from the front, fold the cable back inside the hollow of the stand, and then secure the cable as shown in the illustration, so that it does not become loose.



Affixing the Customer Display

You can use the affixing tape supplied to secure the device.

Attach the affixing tape to the points shown in the following illustration.



Memory Switch Setting

This product comes with memory switches as part of the software's setting features. These allow you to make settings for the TM-m30 Utility.

NOTE

For details, see the TM-m30 Utility User's Manual.

Turn Off Backlight

Select from 0 to 120 seconds

Initial setting: Normally On

Code-page

Specify from 40 code pages and custom pages

Initial setting: 0 (PC437:USA,Standard Europe)

International character set

Specify from 18 sets

Initial setting: 0 (USA)

Adjust Brightness

Select from 1 (20%) to 4 (100%)

Initial setting: 4 (100%)

Cursor Display

- 0: Cursor not displayed
- 1: Cursor displayed
- 48: Cursor not displayed
- 49: Cursor displayed

Initial setting: 0

Display No.

Select from 0 to 255

Initial setting: 0



Handling

This chapter explains the basic handling methods for this product.

Turning the Power On/Off

The power for this product is supplied by USB bus power, which means that the power is supplied from the connected printer or computer through the USB connector.

To turn this product on or off, turn the connected printer or computer on or off.

NOTE

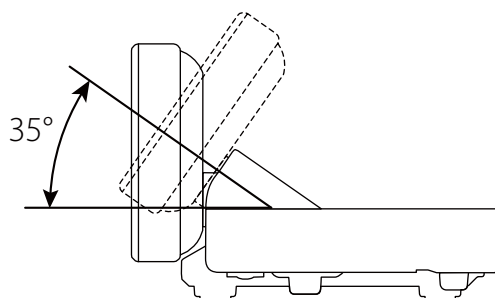
The display may not turn off while the power is still supplied to USB connector, even if the printer's Power LED is off.

Changing the Angle of the Display Unit

You can change the angle of the display unit by holding the stand with your hand while moving the display unit. The following shows the range of motion.

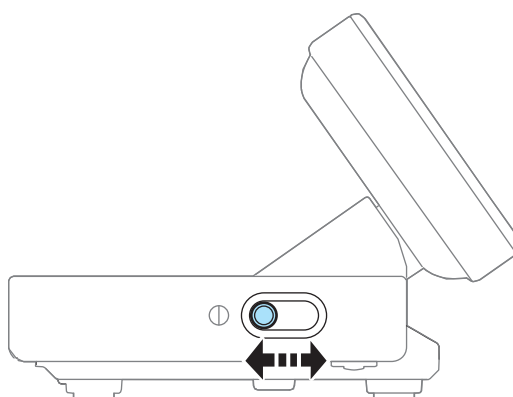
CAUTION

Do not exceed the range of motion when moving the display unit. Applying excess force when moving the display unit may cause damage.



Adjusting the Contrast

You can adjust the contrast of the LCD screen by sliding the contrast adjustment control on the side of the stand.



Cleaning the Customer Display

Be sure to disconnect the USB cable from the printer, and then wipe the dirt off the outer case with a dry cloth or a damp cloth.

CAUTION

- Never clean the product with alcohol, benzine, thinner, or other such solvents. Doing so may damage or break the parts made of plastic and rubber.
- Rubbing the LCD screen with too much force using a dry cloth may scratch the surface.

Application Development Information

This chapter explains how to control the customer display as well as necessary information for developing system applications using this product.

Controlling the Customer display

The this product supports the following command systems:

- ePOS-Print XML
- ESC/POS

Users can control the customer display by using the aforementioned commands, or the following development kits or drivers.

- Epson ePOS SDK
- EPSON OPOS ADK
- EPSON OPOS ADK for .NET
- EPSON JavaPOS ADK
- EPSON Advanced Printer Driver Ver.5 (APD5)

ePOS-Print XML

ePOS-Print XML is Epson's control command system for the customer display defined in XML. You can print from the socket communication environment or OS applications. For details of ePOS-Print XML, see the ePOS-Print XML User's Manual.

ePOS-Print XML can be used when this product is connected to the TM printer.

ESC/POS

ESC/POS is the Epson original printer command system for POS printers and customer display. With ESC/POS commands, you can directly control all the this product functions, but detailed knowledge of printer specifications or combination of commands is required, compared to using drivers and applications.

For details on ESC/POS, see the specifications for this product. You need a contract separately to acquire the specifications. For details, contact the store of your purchase.

Software

The following software are provided for application development.

Development Kits

Software	Description
Epson ePOS SDK for iOS for Android™	Development kit for controlling the POS peripheral devices such as the printer and customer display from the Web application or native application for smart devices. It includes libraries, manuals, and sample programs.
EPSON OPOS ADK	OCX driver that controls the POS peripheral devices such as the customer display using the OLE technologies *. Because controlling POS peripherals with original commands is not required on the application side, efficient system development is possible.
EPSON OPOS ADK for .NET	The OPOS ADK for .NET is a POS industry standard printer driver compatible with Microsoft POS for .NET. It allows you to develop applications that are compatible with the UPOS (Unified POS) specification. When developing applications, use a separate development environment such as Microsoft Visual Studio .NET.
EPSON JavaPOS ADK	JavaPOS ADK is a UPOS driver in Java environment. You can develop applications based on the UPOS (UnifiedPOS) specifications.

* OLE technology developed by Microsoft divides software into part blocks.

CAUTION

EPSON OPOS ADK, EPSON OPOS ADK for .NET, and EPSON JavaPOS ADK are only supported when connecting through TM-m30.

Drivers

Software	Description	Operating environment
EPSON Advanced Printer Driver Ver.5 (APD5)	Windows printer driver that can display on the customer display. You cannot send ESC/POS commands to the customer display or monitor the status.	Windows
TM Virtual Port Driver	Connect the USB directly to the PC, and use this when controlling using ESC/POS commands. This driver allows you to recognize customer displays connected by USB as a virtual serial port.	Windows

Manuals

Software	Description
Each TM printer's Technical Reference Guide	TM printer's Technical Reference Guide explains about the necessary information for developing, designing, installing the POS system using the TM printers, or for developing and designing the printer applications.
ePOS-Print XML Use's Manual	Describes ePOS-Print XML statements. This manual comes with sample programs.

Download

You can obtain software and manuals from one of the following URLs.

For customers in North America, go to the following web site and follow the on-screen instructions.

<http://www.epsonexpert.com/>

For customers in other countries, go to the following web site:

<http://download.epson-biz.com/?service=pos>



Appendix

Product Specifications

Display type	STN LCD (160 x 32 dots) *	
Number of characters displayed	40 characters (20 columns x 2 rows)	
Display color	White/Blue	
Brightness	100 cd/m2	
Character classes	Alphanumeric: 95 characters (8 x 16 dots) International characters: 18 sets (8 x 16 dots) Graphic characters: 128 characters x 41 pages	
Character size	4.1 x 8.3 mm {0.16 x 0.33"} (W x H, alphanumeric)	
Character pitch	4.7 mm {0.19"}	
Interface	USB	USB 2.0 High/Full speed (Display: Full speed, connector for Wireless LAN unit: High/Full speed)
Reliability	Lifespan 50,000 hours	
Input voltage	DC 4.75 to 5.25 V (Operates with USB bus power)	
Current consumption	0.2 A (Wireless LAN unit not connected) 0.7 A (Wireless LAN unit connected)	
Angle of the Display Unit	0 - 35°	
Power supply	USB bus power	

*: Since a characteristic of the STN LCD is that it has a longer response time (when switching dots On/Off) compared to VFD display tubes (DM-D110 etc.), it becomes harder to display marquees that have a short interval for text display (horizontal scrolling).

When displaying a marquee (horizontal scrolling), we recommend taking into account the display response time for the LCD (250 to 350 msec), and set the text display interval to 600 msec or more.

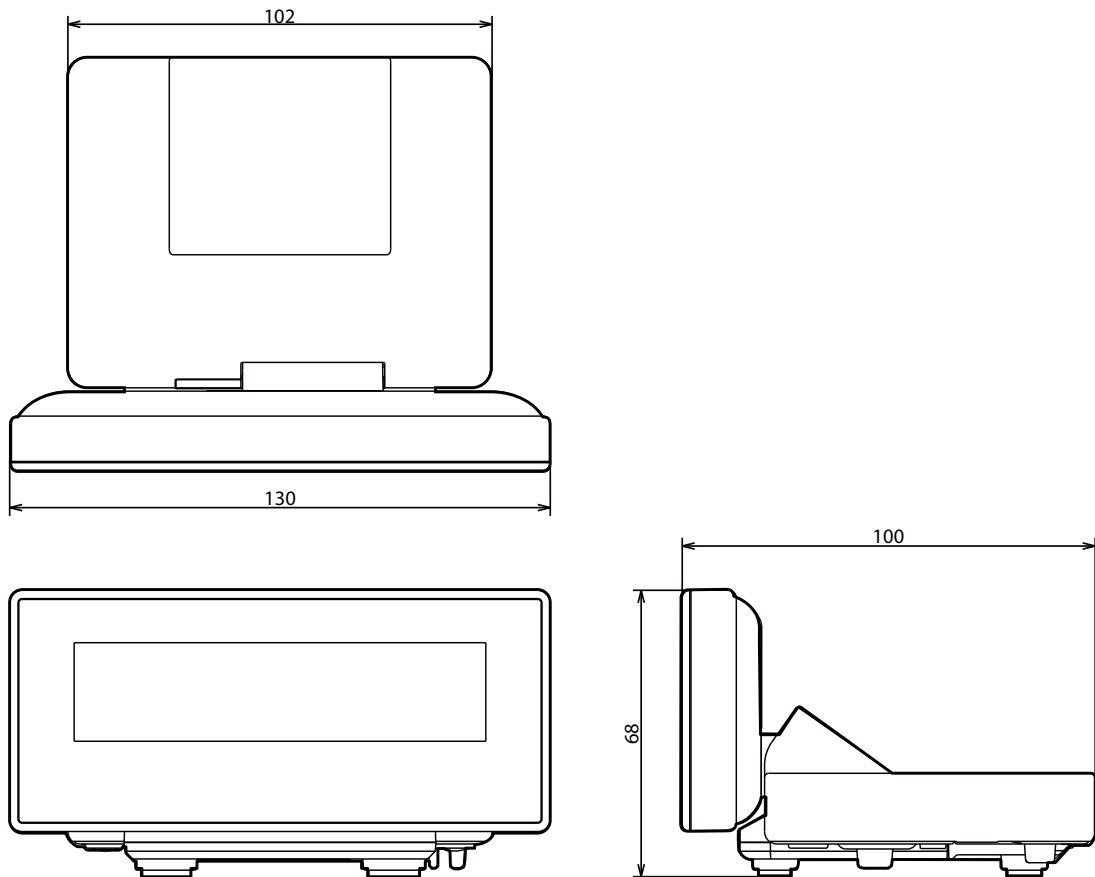
Environmental Conditions

Item	Specification
Temperature	Operating: 5 to 45 °C {41 to 113 °F} Storage: -10 to 50 °C {14 to 122 °F}
Humidity	Operating: 10 to 90 % (non-condensing) Storage: 10 to 90 % (non-condensing)

External Dimensions and Mass

Item	Specification
Width	130 mm (5.12 inches)
Depth	100 mm (3.94 inches)
Height	68 mm (2.68 inches)
Mass	0.3 kg

* When the angle of display unit is 0 degree.



[Unit: mm]

Character Code Tables

NOTE

- The character code tables show only character configurations. They do not show the actual print pattern.
- "SP" in the table shows a space.

Common to All Pages

When the international character set (See "[International Character Sets](#)" on page 73.) is USA:

HEX	0	1	2	3	4	5	6	7
0	NUL 0	DLE 16	SP 32	0 48	@ 64	P 80	` 96	p 112
1		XON 17	! 33	1 49	A 65	Q 81	a 97	q 113
2			" 34	2 50	B 66	R 82	b 98	r 114
3		XOFF 19	# 35	3 51	C 67	S 83	c 99	s 115
4	EOT 4	DC4 20	\$ 36	4 52	D 68	T 84	d 100	t 116
5	ENQ 5	NAK 21	% 37	5 53	E 69	U 85	e 101	u 117
6	ACK 6		& 38	6 54	F 70	V 86	f 102	v 118
7			' 39	7 55	G 71	W 87	g 103	w 119
8		CAN 24	(40	8 56	H 72	X 88	h 104	x 120
9	HT 9) 41	9 57	I 73	Y 89	i 105	y 121
A	LF 10		* 42	: 58	J 74	Z 90	j 106	z 122
B		ESC 27	+ 43	; 59	K 75	[91	k 107	{ 123
C	FF 12	FS 28	, 44	< 60	L 76	\ 92	l 108	 124
D	CR 13	GS 29	- 45	= 61	M 77] 93	m 109	} 125
E		RS 30	. 46	> 62	N 78	^ 94	n 110	~ 126
F			/ 47	? 63	O 79	_ 95	o 111	SP 127

HEX	8	9	A	B	C	D	E	F
0	Ç <small>128</small>	É <small>144</small>	á <small>160</small>	⌘ <small>176</small>	Ł <small>192</small>	⌘ <small>208</small>	α <small>224</small>	≡ <small>240</small>
1	Ü <small>129</small>	æ <small>145</small>	í <small>161</small>	⌘ <small>177</small>	Ł <small>193</small>	⌘ <small>209</small>	β <small>225</small>	± <small>241</small>
2	é <small>130</small>	Æ <small>146</small>	ó <small>162</small>	⌘ <small>178</small>	Τ <small>194</small>	Π <small>210</small>	Γ <small>226</small>	≥ <small>242</small>
3	â <small>131</small>	ô <small>147</small>	ú <small>163</small>	⌘ <small>179</small>	ƒ <small>195</small>	⌘ <small>211</small>	π <small>227</small>	≤ <small>243</small>
4	ä <small>132</small>	ö <small>148</small>	ñ <small>164</small>	† <small>180</small>	– <small>196</small>	ƒ <small>212</small>	Σ <small>228</small>	∫ <small>244</small>
5	à <small>133</small>	ò <small>149</small>	Ñ <small>165</small>	‡ <small>181</small>	† <small>197</small>	ƒ <small>213</small>	σ <small>229</small>	∫ <small>245</small>
6	å <small>134</small>	û <small>150</small>	ä <small>166</small>	‡ <small>182</small>	ƒ <small>198</small>	π <small>214</small>	μ <small>230</small>	÷ <small>246</small>
7	ç <small>135</small>	ù <small>151</small>	o <small>167</small>	π <small>183</small>	‡ <small>199</small>	‡ <small>215</small>	τ <small>231</small>	≈ <small>247</small>
8	ê <small>136</small>	ÿ <small>152</small>	ı <small>168</small>	‡ <small>184</small>	⌘ <small>200</small>	‡ <small>216</small>	φ <small>232</small>	° <small>248</small>
9	ë <small>137</small>	ö <small>153</small>	ƒ <small>169</small>	‡ <small>185</small>	ƒ <small>201</small>	∫ <small>217</small>	θ <small>233</small>	• <small>249</small>
A	è <small>138</small>	ü <small>154</small>	ƒ <small>170</small>	‡ <small>186</small>	⌘ <small>202</small>	ƒ <small>218</small>	Ω <small>234</small>	• <small>250</small>
B	ï <small>139</small>	ϕ <small>155</small>	½ <small>171</small>	‡ <small>187</small>	⌘ <small>203</small>	■ <small>219</small>	δ <small>235</small>	√ <small>251</small>
C	î <small>140</small>	£ <small>156</small>	¼ <small>172</small>	‡ <small>188</small>	‡ <small>204</small>	■ <small>220</small>	ω <small>236</small>	∞ <small>252</small>
D	ì <small>141</small>	¥ <small>157</small>	ı <small>173</small>	⌘ <small>189</small>	= <small>205</small>	■ <small>221</small>	φ <small>237</small>	² <small>253</small>
E	Ä <small>142</small>	℥ <small>158</small>	« <small>174</small>	‡ <small>190</small>	‡ <small>206</small>	■ <small>222</small>	ε <small>238</small>	■ <small>254</small>
F	Å <small>143</small>	ƒ <small>159</small>	» <small>175</small>	ƒ <small>191</small>	⌘ <small>207</small>	■ <small>223</small>	∩ <small>239</small>	SP <small>255</small>

Page 1 (Katakana)

	HEX	8	9	A	B	C	D	E	F
HEX	BIN	1000	1001	1010	1011	1100	1101	1110	1111
0	0000	▬ 128	▬ 144	SP 160	一 176	タ 192	ミ 208	□ 224	日 240
1	0001	▬ 129	▬ 145	・ 161	ア 177	チ 193	ム 209	■ 225	月 241
2	0010	▬ 130	▬ 146	「 162	イ 178	ツ 194	メ 210	■ 226	火 242
3	0011	▬ 131	▬ 147	」 163	ウ 179	テ 195	モ 211	○ 227	水 243
4	0100	▬ 132	▬ 148	、 164	エ 180	ト 196	ヤ 212	● 228	木 244
5	0101	▬ 133	▬ 149	・ 165	オ 181	ナ 197	ユ 213	◇ 229	金 245
6	0110	▬ 134	▬ 150	ヲ 166	カ 182	ニ 198	ヨ 214	◆ 230	土 246
7	0111	▬ 135	→ 151	ア 167	キ 183	ヌ 199	ラ 215	◆ 231	年 247
8	1000	▬ 136	← 152	イ 168	ク 184	ネ 200	リ 216	▶ 232	円 248
9	1001	▬ 137	↑ 153	ウ 169	ケ 185	ノ 201	ル 217	◀ 233	分 249
A	1010	▬ 138	↓ 154	エ 170	コ 186	ハ 202	レ 218	▲ 234	人 250
B	1011	▬ 139	× 155	オ 171	サ 187	ヒ 203	ロ 219	▼ 235	大 251
C	1100	▬ 140	÷ 156	ヤ 172	シ 188	フ 204	ワ 220	◀ 236	中 252
D	1101	▬ 141	± 157	ユ 173	ス 189	ヘ 205	ン 221	» 237	小 253
E	1110	▬ 142	≤ 158	ヨ 174	セ 190	ホ 206	° 222	½ 238	千 254
F	1111	▬ 143	≥ 159	ツ 175	ソ 191	マ 207	° 223	¼ 239	°C 255




HEX	8	9	A	B	C	D	E	F
0	Ç 128	É 144	á 160	⌘ 176	Ł 192	Š 208	Ó 224	- 240
1	Ü 129	æ 145	í 161	⌘ 177	Ł 193	Đ 209	ß 225	± 241
2	é 130	Æ 146	ó 162	⌘ 178	Ƨ 194	Ê 210	Ô 226	= 242
3	â 131	ô 147	ú 163	⌘ 179	Ƨ 195	Ë 211	Ò 227	¼ 243
4	ä 132	ö 148	ñ 164	⌘ 180	- 196	È 212	Õ 228	¶ 244
5	à 133	ò 149	Ñ 165	Á 181	† 197	ı 213	Õ 229	§ 245
6	å 134	û 150	ä 166	Â 182	ã 198	İ 214	μ 230	÷ 246
7	ç 135	ù 151	o 167	Ã 183	Ǻ 199	Î 215	þ 231	· 247
8	ê 136	ÿ 152	ı 168	© 184	Ł 200	Ï 216	þ 232	° 248
9	ë 137	ö 153	® 169	¶ 185	Ɔ 201	Ĵ 217	Ú 233	¨ 249
A	è 138	ü 154	¬ 170	¶ 186	Ł 202	Ɔ 218	Û 234	• 250
B	ï 139	ø 155	½ 171	¶ 187	Ɔ 203	■ 219	Ü 235	¹ 251
C	î 140	£ 156	¼ 172	¶ 188	Ɔ 204	■ 220	Ý 236	³ 252
D	ì 141	∅ 157	ı 173	¢ 189	= 205	ı 221	Ÿ 237	² 253
E	Ǻ 142	× 158	« 174	¥ 190	¶ 206	İ 222	- 238	■ 254
F	Ǻ 143	f 159	» 175	Ƨ 191	Ǻ 207	■ 223	˘ 239	SP 255

Page 3 (PC860: Portuguese)

HEX	8	9	A	B	C	D	E	F
0	Ç 128	É 144	á 160	☼ 176	Ł 192	Ɑ 208	ɑ 224	≡ 240
1	Ü 129	À 145	í 161	☼ 177	⊥ 193	Ɱ 209	β 225	± 241
2	é 130	È 146	ó 162	☼ 178	τ 194	π 210	Γ 226	≥ 242
3	â 131	ô 147	ú 163	∣ 179	† 195	Ɐ 211	π 227	≤ 243
4	ã 132	õ 148	ñ 164	‡ 180	– 196	Ɒ 212	Σ 228	∫ 244
5	à 133	ò 149	Ñ 165	‡ 181	† 197	ⱱ 213	σ 229	∫ 245
6	Á 134	Ú 150	ª 166	∥ 182	ƒ 198	π 214	μ 230	÷ 246
7	ç 135	ù 151	º 167	π 183	∥ 199	‡ 215	τ 231	≈ 247
8	ê 136	î 152	¿ 168	ƒ 184	Ⱳ 200	‡ 216	φ 232	° 248
9	Ê 137	Û 153	ò 169	∥ 185	∫ 201	∫ 217	θ 233	• 249
A	è 138	Ü 154	¬ 170	∥ 186	ⱳ 202	∫ 218	Ω 234	• 250
B	Í 139	ϕ 155	$\frac{1}{2}$ 171	∩ 187	ⱴ 203	■ 219	δ 235	√ 251
C	Ô 140	£ 156	$\frac{1}{4}$ 172	∩ 188	∥ 204	■ 220	ω 236	∩ 252
D	ì 141	Û 157	ì 173	∩ 189	= 205	∣ 221	φ 237	² 253
E	Ă 142	ℙ 158	« 174	∫ 190	∥ 206	∣ 222	ε 238	■ 254
F	Â 143	Ó 159	» 175	∫ 191	± 207	■ 223	∩ 239	SP 255

HEX	8	9	A	B	C	D	E	F
0	Ç 128	É 144	Ì 160	⋮ 176	Ł 192	Ɑ 208	ɑ 224	≡ 240
1	Ü 129	È 145	Í 161	⋮ 177	ł 193	Ɱ 209	β 225	± 241
2	é 130	Ê 146	Ó 162	⋮ 178	Ƨ 194	Π 210	Γ 226	≥ 242
3	â 131	Ô 147	Ú 163	Ĳ 179	Ƨ̇ 195	Ɐ 211	π 227	≤ 243
4	Â 132	Ë 148	Û 164	Ƨ̇ 180	– 196	Ƨ̈ 212	Σ 228	Ɔ 244
5	à 133	Ï 149	Ü 165	Ƨ̈ 181	† 197	Ƨ̉ 213	σ 229	Ɔ̇ 245
6	ŋ 134	Û 150	Ɔ 166	Ƨ̉ 182	Ƨ̊ 198	π 214	μ 230	÷ 246
7	ç 135	Ù 151	– 167	π 183	Ƨ̊̇ 199	Ƨ̋ 215	τ 231	≈ 247
8	ê 136	Ɔ 152	Î 168	Ƨ̋ 184	Ƨ̌ 200	Ƨ̍ 216	ϕ 232	° 248
9	ë 137	Ô 153	Ƨ̌ 169	Ƨ̍ 185	Ƨ̎ 201	Ƨ̏ 217	θ 233	• 249
A	è 138	Û 154	Ƨ̎ 170	Ƨ̏ 186	Ƨ̐ 202	Ƨ̑ 218	Ω 234	• 250
B	ï 139	ϕ 155	$\frac{1}{2}$ 171	Ƨ̑ 187	Ƨ̒ 203	■ 219	δ 235	√ 251
C	î 140	£ 156	$\frac{1}{4}$ 172	Ƨ̒ 188	Ƨ̓ 204	■ 220	ω 236	∞ 252
D	= 141	Û 157	$\frac{3}{4}$ 173	Ƨ̓ 189	= 205	▮ 221	ϕ 237	² 253
E	À 142	Ô 158	« 174	Ƨ̓̇ 190	Ƨ̔ 206	▮ 222	ε 238	■ 254
F	§ 143	f 159	» 175	Ƨ̔ 191	Ƨ̕ 207	■ 223	∩ 239	SP 255

Page 5 (PC865: Nordic)

HEX	8	9	A	B	C	D	E	F
0	Ç 128	É 144	á 160	 176	Ł 192	Ɑ 208	ɑ 224	≡ 240
1	Ü 129	æ 145	í 161	 177	⊥ 193	Ɱ 209	β 225	± 241
2	é 130	Æ 146	ó 162	 178	⊤ 194	π 210	Γ 226	≥ 242
3	â 131	ô 147	ú 163	179	† 195	Ɐ 211	π 227	≤ 243
4	ä 132	ö 148	ñ 164	‡ 180	– 196	Ɒ 212	Σ 228	∫ 244
5	à 133	ò 149	Ñ 165	‡ 181	† 197	ⱱ 213	σ 229	∫ 245
6	å 134	û 150	ä 166	‡ 182	‡ 198	Ⱳ 214	μ 230	÷ 246
7	ç 135	ù 151	ø 167	π 183	‡ 199	‡ 215	τ 231	≈ 247
8	ê 136	ÿ 152	ı 168	‡ 184	ⱳ 200	‡ 216	φ 232	° 248
9	ë 137	ö 153	ƒ 169	‡ 185	ⱴ 201	∫ 217	θ 233	• 249
A	è 138	ü 154	ƒ 170	‡ 186	Ⱶ 202	∫ 218	Ω 234	• 250
B	ï 139	ø 155	$\frac{1}{2}$ 171	‡ 187	ⱶ 203	■ 219	δ 235	√ 251
C	î 140	£ 156	$\frac{1}{4}$ 172	ⱷ 188	‡ 204	■ 220	ω 236	∞ 252
D	ì 141	Ø 157	ı 173	ⱸ 189	= 205	∫ 221	φ 237	² 253
E	Ä 142	ƒ 158	« 174	‡ 190	‡ 206	∫ 222	ε 238	■ 254
F	Å 143	f 159	¤ 175	‡ 191	ⱹ 207	■ 223	∩ 239	SP 255

HEX	8	9	A	B	C	D	E	F
0	Ç 128	Ī 144	ĩ 160	⋮ 176	Ł 192	Ƨ 208	Ʒ 224	- 240
1	ü 129	SP 145	ĩ̇ 161	⋮̇ 177	Ł̇ 193	Ƨ̇ 209	Ʒ̇ 225	± 241
2	é 130	ð 146	ó 162	⋮̈ 178	Ƨ̈ 194	ϕ 210	θ 226	υ 242
3	â 131	ô 147	ú 163	ı 179	Ƨ̉ 195	χ 211	ł 227	φ 243
4	ä 132	ö 148	á 164	† 180	- 196	ψ 212	κ 228	χ 244
5	à 133	Ƴ 149	β 165	Ƨ 181	†̇ 197	Ω 213	λ 229	§ 245
6	À 134	Û 150	Γ 166	Λ 182	Π 198	α 214	μ 230	ψ 246
7	ç 135	ù 151	Δ 167	Μ 183	Ρ 199	β 215	ν 231	· 247
8	ê 136	Ϻ 152	Ε 168	Ν 184	ℒ 200	γ 216	ξ 232	° 248
9	ë 137	ö̇ 153	Ζ 169	‡ 185	Ƨ̇ 201	Ƨ̈ 217	ο 233	¨ 249
A	è 138	Û̇ 154	Η 170	‡̇ 186	ℒ̇ 202	Ƨ̉ 218	π 234	ω 250
B	ï 139	á̇ 155	½ 171	‡̈ 187	ℒ̈ 203	■ 219	ρ 235	Û 251
C	î 140	£ 156	θ̇ 172	‡̉ 188	ℒ̉ 204	■̇ 220	σ 236	Û̇ 252
D	Ē 141	έ̇ 157	Ι 173	≡ 189	= 205	δ̇ 221	ς 237	ώ 253
E	Ä 142	ή̇ 158	« 174	Ο 190	‡̇ 206	ε̇ 222	τ 238	■̇ 254
F	Ĥ 143	ĺ 159	» 175	τ̇ 191	Σ 207	■̈ 223	´ 239	SP 255

Page 12 (PC853: Turkish)

HEX	8	9	A	B	C	D	E	F
0	Ç 128	É 144	á 160	☐ 176	Ł 192	SP 208	Ó 224	- 240
1	Ü 129	Ĉ 145	í 161	☐ 177	Ł 193	SP 209	ß 225	SP 241
2	é 130	Ĉ 146	ó 162	☐ 178	Ƨ 194	Ê 210	Ô 226	ℓ 242
3	â 131	ô 147	ú 163	l 179	Ƨ 195	Ë 211	ò 227	ħ 243
4	ä 132	ö 148	ñ 164	l 180	- 196	È 212	Ĝ 228	˘ 244
5	à 133	ò 149	Ñ 165	Á 181	† 197	l 213	ğ 229	§ 245
6	ĉ 134	û 150	ğ 166	Â 182	Ŝ 198	Í 214	μ 230	÷ 246
7	ç 135	ù 151	ğ 167	Â 183	Ŝ 199	Î 215	℥ 231	˙ 247
8	ê 136	ï 152	Ĥ 168	Ş 184	Ł 200	İ 216	ħ 232	° 248
9	ë 137	ö 153	ĥ 169	185	Ɔ 201	Ɔ 217	Ú 233	ˆ 249
A	è 138	ü 154	SP 170	186	Ł 202	Ɔ 218	Û 234	˙ 250
B	ï 139	ĝ 155	½ 171	187	Ɔ 203	■ 219	Û 235	SP 251
C	î 140	£ 156	Ĵ 172	188	Ɔ 204	■ 220	Ü 236	³ 252
D	ì 141	Ĝ 157	Ş 173	Ž 189	= 205	SP 221	Û 237	² 253
E	Ä 142	× 158	« 174	Ž 190	Ɔ 206	Ï 222	• 238	■ 254
F	Ĉ 143	Ĵ 159	» 175	ɀ 191	Ɔ 207	■ 223	˘ 239	SP 255

HEX	8	9	A	B	C	D	E	F
0	Ç 128	É 144	á 160	⌘ 176	Ł 192	o 208	Ó 224	- 240
1	ü 129	æ 145	í 161	⌘ 177	ł 193	a 209	ß 225	± 241
2	é 130	Æ 146	ó 162	⌘ 178	Ṭ 194	Ê 210	Ô 226	SP 242
3	â 131	ô 147	ú 163	ı 179	ṭ 195	Ë 211	Ò 227	¼ 243
4	ä 132	ö 148	ñ 164	ı̇ 180	- 196	È 212	Õ 228	¶ 244
5	à 133	ò 149	Ñ 165	Á 181	† 197	€ 213	Õ 229	§ 245
6	å 134	û 150	ğ 166	Â 182	ã 198	Í 214	μ 230	÷ 246
7	ç 135	ù 151	ğ̇ 167	Ã 183	Ǻ 199	Î 215	SP 231	· 247
8	ê 136	î 152	ı̇ 168	© 184	Ł 200	İ 216	× 232	° 248
9	ë 137	ö 153	® 169	¶ 185	ŕ 201	Ĵ 217	Ú 233	¨ 249
A	è 138	ü 154	¬ 170	¶ 186	Ł 202	ŕ 218	Û 234	• 250
B	ï 139	ø 155	½ 171	¶ 187	ŕ 203	■ 219	Ü 235	¹ 251
C	î 140	£ 156	¼ 172	¶ 188	ŕ 204	■ 220	Ï 236	³ 252
D	ı 141	Ø 157	ı̇ 173	¢ 189	= 205	ı̇ 221	ÿ 237	² 253
E	Ä 142	Ş 158	« 174	₺ 190	¶ 206	İ̇ 222	ˉ 238	■ 254
F	Å 143	Ş̇ 159	» 175	ı̇ 191	ᄀ 207	■ 223	˘ 239	SP 255

Page 14 (PC737: Greek)

HEX	8	9	A	B	C	D	E	F
0	Α 128	Ρ 144	Λ 160	⊞ 176	⊞ 192	⊞ 208	ω 224	Ω 240
1	Β 129	Σ 145	Κ 161	⊞ 177	⊞ 193	⊞ 209	ά 225	± 241
2	Γ 130	Τ 146	λ 162	⊞ 178	⊞ 194	⊞ 210	έ 226	≥ 242
3	Δ 131	Υ 147	μ 163	⊞ 179	⊞ 195	⊞ 211	ή 227	≤ 243
4	Ε 132	Φ 148	ν 164	⊞ 180	⊞ 196	⊞ 212	ï 228	ï 244
5	Ζ 133	Χ 149	Ξ 165	⊞ 181	⊞ 197	⊞ 213	ί 229	ÿ 245
6	Η 134	Ψ 150	Ο 166	⊞ 182	⊞ 198	⊞ 214	ό 230	÷ 246
7	Θ 135	Ω 151	Π 167	⊞ 183	⊞ 199	⊞ 215	ύ 231	≈ 247
8	Ι 136	α 152	ρ 168	⊞ 184	⊞ 200	⊞ 216	ü 232	° 248
9	Κ 137	β 153	σ 169	⊞ 185	⊞ 201	⊞ 217	ώ 233	• 249
A	Λ 138	γ 154	ς 170	⊞ 186	⊞ 202	⊞ 218	À 234	• 250
B	Μ 139	δ 155	τ 171	⊞ 187	⊞ 203	⊞ 219	Έ 235	√ 251
C	Ν 140	ε 156	υ 172	⊞ 188	⊞ 204	⊞ 220	Ή 236	η 252
D	Ξ 141	ζ 157	φ 173	⊞ 189	⊞ 205	⊞ 221	Ί 237	² 253
E	Ο 142	η 158	χ 174	⊞ 190	⊞ 206	⊞ 222	Ό 238	■ 254
F	Π 143	θ 159	ψ 175	⊞ 191	⊞ 207	⊞ 223	Υ 239	SP 255

HEX	8	9	A	B	C	D	E	F
0	SP 128	SP 144	SP 160	° 176	ÿ 192	Π 208	Û 224	π 240
1	SP 129	SP 145	‘ 161	± 177	Α 193	Ρ 209	α 225	ρ 241
2	SP 130	SP 146	, 162	² 178	Β 194	SP 210	β 226	ς 242
3	SP 131	SP 147	£ 163	³ 179	Γ 195	Σ 211	γ 227	σ 243
4	SP 132	SP 148	€ 164	´ 180	Δ 196	Τ 212	δ 228	τ 244
5	SP 133	SP 149	Ⓟ 165	ˆ 181	Ε 197	Υ 213	ε 229	υ 245
6	SP 134	SP 150	! 166	Α 182	Ζ 198	Φ 214	ζ 230	φ 246
7	SP 135	SP 151	§ 167	· 183	Η 199	Χ 215	η 231	χ 247
8	SP 136	SP 152	¨ 168	Έ 184	Θ 200	Ψ 216	θ 232	ψ 248
9	SP 137	SP 153	© 169	Η 185	Ι 201	Ω 217	ι 233	ω 249
A	SP 138	SP 154	· 170	Ι 186	Κ 202	Ï 218	κ 234	ï 250
B	SP 139	SP 155	« 171	» 187	Λ 203	ÿ 219	λ 235	ÿ 251
C	SP 140	SP 156	¬ 172	Ό 188	Μ 204	ά 220	μ 236	ό 252
D	SP 141	SP 157	- 173	½ 189	Ν 205	έ 221	ν 237	ύ 253
E	SP 142	SP 158	SP 174	Υ 190	Ξ 206	ή 222	ξ 238	ώ 254
F	SP 143	SP 159	- 175	Ϟ 191	Ο 207	ί 223	ο 239	SP 255

Page 16 (WPC1252)

HEX	8	9	A	B	C	D	E	F
0	€ 128	SP 144	SP 160	° 176	À 192	Ð 208	à 224	ø 240
1	SP 129	‘ 145	í 161	± 177	Á 193	Ñ 209	á 225	ñ 241
2	, 130	, 146	¢ 162	² 178	Â 194	Ò 210	â 226	ò 242
3	f 131	“ 147	£ 163	³ 179	Ã 195	Ó 211	ã 227	ó 243
4	” 132	” 148	¤ 164	´ 180	Ä 196	Ô 212	ä 228	ô 244
5	… 133	• 149	¥ 165	µ 181	Å 197	Õ 213	å 229	õ 245
6	† 134	- 150	¡ 166	¶ 182	Æ 198	Ö 214	æ 230	ö 246
7	‡ 135	- 151	§ 167	· 183	Ç 199	× 215	ç 231	÷ 247
8	^ 136	˘ 152	¨ 168	¸ 184	È 200	Ø 216	è 232	ø 248
9	‰ 137	™ 153	© 169	¹ 185	É 201	Ù 217	é 233	ù 249
A	Š 138	Š 154	ª 170	º 186	Ê 202	Ú 218	ê 234	ú 250
B	‹ 139	› 155	« 171	» 187	Ë 203	Û 219	ë 235	û 251
C	Œ 140	œ 156	¬ 172	¼ 188	Ì 204	Ü 220	ì 236	ü 252
D	SP 141	SP 157	- 173	½ 189	Í 205	Ý 221	í 237	ý 253
E	Ž 142	Ž 158	® 174	¾ 190	Î 206	Þ 222	î 238	þ 254
F	SP 143	ÿ 159	- 175	¿ 191	Ï 207	ß 223	ï 239	ÿ 255

HEX	8	9	A	B	C	D	E	F
0	А <small>128</small>	Р <small>144</small>	а <small>160</small>	⌘ <small>176</small>	Л <small>192</small>	Ц <small>208</small>	р <small>224</small>	Ё <small>240</small>
1	Б <small>129</small>	С <small>145</small>	б <small>161</small>	⌘ <small>177</small>	л <small>193</small>	Т <small>209</small>	с <small>225</small>	ё <small>241</small>
2	В <small>130</small>	Т <small>146</small>	в <small>162</small>	⌘ <small>178</small>	т <small>194</small>	П <small>210</small>	т <small>226</small>	Е <small>242</small>
3	Г <small>131</small>	У <small>147</small>	г <small>163</small>	І <small>179</small>	т <small>195</small>	Ц <small>211</small>	у <small>227</small>	е <small>243</small>
4	Д <small>132</small>	Ф <small>148</small>	д <small>164</small>	† <small>180</small>	— <small>196</small>	Е <small>212</small>	ф <small>228</small>	ї <small>244</small>
5	Е <small>133</small>	Х <small>149</small>	е <small>165</small>	‡ <small>181</small>	† <small>197</small>	Р <small>213</small>	х <small>229</small>	і <small>245</small>
6	Ж <small>134</small>	Ц <small>150</small>	ж <small>166</small>	<small>182</small>	‡ <small>198</small>	П <small>214</small>	ц <small>230</small>	й <small>246</small>
7	З <small>135</small>	Ч <small>151</small>	з <small>167</small>	π <small>183</small>	<small>199</small>	<small>215</small>	ч <small>231</small>	ѣ <small>247</small>
8	И <small>136</small>	Ш <small>152</small>	и <small>168</small>	э <small>184</small>	Ц <small>200</small>	‡ <small>216</small>	ш <small>232</small>	° <small>248</small>
9	Й <small>137</small>	Щ <small>153</small>	й <small>169</small>	<small>185</small>	Г <small>201</small>	Ј <small>217</small>	щ <small>233</small>	• <small>249</small>
A	К <small>138</small>	Ъ <small>154</small>	к <small>170</small>	<small>186</small>	Ц <small>202</small>	Г <small>218</small>	ъ <small>234</small>	• <small>250</small>
B	Л <small>139</small>	Ы <small>155</small>	л <small>171</small>	π <small>187</small>	Т <small>203</small>	■ <small>219</small>	ы <small>235</small>	√ <small>251</small>
C	М <small>140</small>	Ь <small>156</small>	м <small>172</small>	Ц <small>188</small>	<small>204</small>	■ <small>220</small>	ь <small>236</small>	№ <small>252</small>
D	Н <small>141</small>	Э <small>157</small>	н <small>173</small>	Ц <small>189</small>	= <small>205</small>	І <small>221</small>	э <small>237</small>	¤ <small>253</small>
E	О <small>142</small>	Ю <small>158</small>	о <small>174</small>	‡ <small>190</small>	<small>206</small>	І <small>222</small>	ю <small>238</small>	■ <small>254</small>
F	П <small>143</small>	Я <small>159</small>	п <small>175</small>	Г <small>191</small>	⊥ <small>207</small>	■ <small>223</small>	я <small>239</small>	SP <small>255</small>

Page 18 (PC852: Latin 2)

HEX	8	9	A	B	C	D	E	F
0	Ç 128	É 144	á 160	⌘ 176	Ł 192	đ 208	Ó 224	- 240
1	Ü 129	Ĺ 145	í 161	⌘ 177	Ł 193	Đ 209	ß 225	˘ 241
2	é 130	Ī 146	ó 162	⌘ 178	Ƨ 194	Đ 210	ô 226	˙ 242
3	â 131	ô 147	ú 163	l 179	Ƨ 195	Ě 211	Ń 227	˘ 243
4	ä 132	ö 148	À 164	l 180	- 196	ď 212	ń 228	˘ 244
5	Û 133	Ľ 149	ą 165	Á 181	† 197	ň 213	ň 229	§ 245
6	ć 134	ŷ 150	ž 166	Â 182	Ǻ 198	í 214	š 230	÷ 246
7	ç 135	Ś 151	ž 167	Ě 183	ǻ 199	î 215	š 231	˙ 247
8	ł 136	Ś 152	Ę 168	Ş 184	Ł 200	ě 216	Ŕ 232	° 248
9	ë 137	Ö 153	ę 169	ł 185	Ɔ 201	Ĵ 217	Ú 233	˝ 249
A	õ 138	Ü 154	€ 170	ll 186	Ł 202	Ɔ 218	ŕ 234	˙ 250
B	õ 139	Ÿ 155	ž 171	ł 187	Ɔ 203	■ 219	Ů 235	Ů 251
C	î 140	Ÿ 156	č 172	ł 188	ł 204	■ 220	ý 236	Ř 252
D	ž 141	ł 157	š 173	ž 189	= 205	Ť 221	Ý 237	ř 253
E	Ǻ 142	× 158	« 174	ž 190	ł 206	Ů 222	ţ 238	■ 254
F	ć 143	č 159	» 175	ł 191	ǻ 207	■ 223	˘ 239	SP 255

HEX	8	9	A	B	C	D	E	F
0	Ç 128	É 144	á 160	⌘ 176	Ł 192	Š 208	Ó 224	- 240
1	Ü 129	æ 145	í 161	⌘ 177	Ł 193	Đ 209	ß 225	± 241
2	é 130	Æ 146	ó 162	⌘ 178	Ƨ 194	Ê 210	Ô 226	= 242
3	â 131	ô 147	ú 163	l 179	Ƨ 195	Ë 211	Ò 227	¼ 243
4	ä 132	ö 148	ñ 164	l 180	- 196	È 212	Õ 228	¶ 244
5	à 133	ò 149	Ñ 165	Á 181	† 197	€ 213	Õ 229	§ 245
6	å 134	û 150	ä 166	Â 182	ã 198	Í 214	μ 230	÷ 246
7	ç 135	ù 151	o 167	Ã 183	Ä 199	Î 215	þ 231	· 247
8	ê 136	ÿ 152	ç 168	© 184	Ł 200	Ï 216	þ 232	° 248
9	ë 137	ö 153	® 169	¶ 185	Ƨ 201	Ĵ 217	Ú 233	¨ 249
A	è 138	ü 154	¬ 170	¶ 186	Ł 202	Ƨ 218	Û 234	· 250
B	ï 139	ø 155	½ 171	¶ 187	Ƨ 203	■ 219	Ü 235	¹ 251
C	î 140	£ 156	¼ 172	¶ 188	Ƨ 204	■ 220	Ý 236	³ 252
D	ì 141	Ø 157	ì 173	¢ 189	= 205	ì 221	Ÿ 237	² 253
E	Ä 142	× 158	« 174	¥ 190	¶ 206	Ï 222	— 238	■ 254
F	Å 143	f 159	» 175	γ 191	Ƨ 207	■ 223	´ 239	SP 255

Page 30 (TCVN-3: Vietnamese)

HEX	8	9	A	B	C	D	E	F
0	SP 128	SP 144	SP 160	SP 176	SP 192	é 208	SP 224	SP 240
1	SP 129	SP 145	SP 161	SP 177	SP 193	ẹ 209	ỏ 225	ủ 241
2	SP 130	SP 146	SP 162	SP 178	SP 194	ề 210	õ 226	ũ 242
3	SP 131	SP 147	SP 163	SP 179	SP 195	ể 211	ó 227	ú 243
4	SP 132	SP 148	SP 164	SP 180	SP 196	ễ 212	ọ 228	ụ 244
5	SP 133	SP 149	SP 165	à 181	SP 197	ế 213	ồ 229	ừ 245
6	SP 134	SP 150	SP 166	ả 182	ă 198	ệ 214	ỡ 230	ử 246
7	SP 135	SP 151	SP 167	ã 183	â 199	ì 215	õ 231	ữ 247
8	SP 136	SP 152	ă 168	á 184	ã 200	ỉ 216	ố 232	ứ 248
9	SP 137	SP 153	â 169	ạ 185	ã 201	SP 217	ộ 233	ự 249
A	SP 138	SP 154	ê 170	SP 186	ă 202	SP 218	ờ 234	ỳ 250
B	SP 139	SP 155	ô 171	ă 187	â 203	SP 219	ở 235	ỷ 251
C	SP 140	SP 156	ơ 172	ã 188	è 204	ĩ 220	ỡ 236	ỹ 252
D	SP 141	SP 157	ư 173	ã 189	SP 205	í 221	ớ 237	ý 253
E	SP 142	SP 158	đ 174	ã 190	ẻ 206	ị 222	ợ 238	ỵ 254
F	SP 143	SP 159	SP 175	SP 191	ễ 207	ò 223	ù 239	SP 255

HEX	8	9	A	B	C	D	E	F
0	SP 128	SP 144	SP 160	SP 176	SP 192	É 208	SP 224	SP 240
1	SP 129	SP 145	Ă 161	SP 177	SP 193	Ê 209	Ỏ 225	Ủ 241
2	SP 130	SP 146	Â 162	SP 178	SP 194	Ë 210	Õ 226	Û 242
3	SP 131	SP 147	SP 163	SP 179	SP 195	Ë 211	Ó 227	Ú 243
4	SP 132	SP 148	SP 164	SP 180	SP 196	Ë 212	Ọ 228	Ụ 244
5	SP 133	SP 149	SP 165	À 181	SP 197	Ë 213	Ồ 229	Ừ 245
6	SP 134	SP 150	SP 166	Ả 182	Ặ 198	Ê 214	Ỗ 230	Ữ 246
7	SP 135	SP 151	Đ 167	Ã 183	Ẫ 199	Ì 215	Ỗ 231	Ữ 247
8	SP 136	SP 152	SP 168	Á 184	Ẫ 200	Ỉ 216	Ố 232	Ữ 248
9	SP 137	SP 153	SP 169	Ạ 185	Ẫ 201	SP 217	Ộ 233	Ự 249
A	SP 138	SP 154	Ê 170	SP 186	Ẫ 202	SP 218	Ỗ 234	Ỡ 250
B	SP 139	SP 155	Ô 171	Ẫ 187	Ậ 203	SP 219	Ỗ 235	Ỡ 251
C	SP 140	SP 156	Ớ 172	Ẫ 188	È 204	Ĩ 220	Ỗ 236	Ỡ 252
D	SP 141	SP 157	Ứ 173	Ẫ 189	SP 205	Ỉ 221	Ớ 237	Ỡ 253
E	SP 142	SP 158	SP 174	Ẫ 190	Ê 206	Ị 222	Ợ 238	Ỡ 254
F	SP 143	SP 159	SP 175	SP 191	Ë 207	Ò 223	Ù 239	SP 255

Page 32 (PC720: Arabic)

HEX	8	9	A	B	C	D	E	F
0	SP 128	SP 144	ب 160	⋮ 176	ل 192	ﻻ 208	في 224	≡ 240
1	SP 129	◌ 145	ة 161	⋮ 177	ل 193	ﻻ 209	ط 225	◌ 241
2	é 130	◌ 146	ت 162	⋮ 178	ت 194	ﻻ 210	ظ 226	◌ 242
3	â 131	ô 147	ث 163	 179	ت 195	ﻻ 211	ع 227	◌ 243
4	SP 132	◌ 148	ج 164	ت 180	- 196	ك 212	غ 228	◌ 244
5	à 133	- 149	ح 165	ت 181	† 197	ف 213	ف 229	◌ 245
6	SP 134	û 150	خ 166	ﻻ 182	ف 198	ﻻ 214	ﻻ 230	◌ 246
7	ç 135	ù 151	د 167	ﻻ 183	ﻻ 199	ﻻ 215	ق 231	≈ 247
8	ê 136	ء 152	ذ 168	ك 184	ﻻ 200	ك 216	ك 232	◌ 248
9	ë 137	آ 153	ر 169	ﻻ 185	ر 201	ل 217	ل 233	◌ 249
A	è 138	أ 154	ز 170	ﻻ 186	ﻻ 202	ر 218	م 234	◌ 250
B	ï 139	ؤ 155	س 171	ﻻ 187	ﻻ 203	◼ 219	ن 235	√ 251
C	î 140	£ 156	ش 172	ﻻ 188	ﻻ 204	◼ 220	ه 236	n 252
D	SP 141	ل 157	ص 173	ﻻ 189	= 205	ﻻ 221	و 237	2 253
E	SP 142	ئ 158	« 174	ك 190	ﻻ 206	ﻻ 222	ي 238	◼ 254
F	SP 143	ا 159	» 175	ك 191	ﻻ 207	◼ 223	ي 239	SP 255

HEX	8	9	A	B	C	D	E	F
0	Ć 128	É 144	Ā 160	⌘ 176	Ł 192	ą 208	Ó 224	- 240
1	Ü 129	æ 145	Ī 161	⌘ 177	ł 193	č 209	β 225	± 241
2	é 130	Æ 146	Ó 162	⌘ 178	τ 194	ę 210	ō 226	“ 242
3	ā 131	ō 147	ž 163	ı 179	† 195	è 211	ń 227	¼ 243
4	ä 132	ö 148	ž 164	ı 180	- 196	ì 212	õ 228	¶ 244
5	ǫ 133	Ǫ 149	ž 165	Ą 181	† 197	š 213	õ 229	§ 245
6	ǻ 134	ϕ 150	” 166	Č 182	Ū 198	ų 214	μ 230	÷ 246
7	ć 135	ś 151	ı 167	Ę 183	Ū 199	ū 215	ń 231	” 247
8	ł 136	ś 152	© 168	É 184	Ł 200	ž 216	ķ 232	° 248
9	ē 137	ö 153	® 169	ı 185	ŕ 201	ĵ 217	ķ 233	• 249
A	Ṛ 138	ü 154	¬ 170	ı 186	Ł 202	ŕ 218	ł 234	• 250
B	ŕ 139	ø 155	½ 171	ı 187	ł 203	■ 219] 235	¹ 251
C	ī 140	£ 156	¼ 172	ı 188	ł 204	■ 220	ŋ 236	³ 252
D	ž 141	ø 157	ł 173	ı 189	= 205	ı 221	Ē 237	² 253
E	Ǻ 142	× 158	« 174	Š 190	ł 206	ı 222	Ņ 238	■ 254
F	ǻ 143	Ṙ 159	» 175	ı 191	ž 207	■ 223	’ 239	SP 255

Page 34 (PC855: Cyrillic)

HEX	8	9	A	B	C	D	E	F
0	ђ 128	љ 144	а 160	џ 176	Љ 192	Л 208	Я 224	- 240
1	ѣ 129	љ 145	А 161	џ̇ 177	Љ̇ 193	Л̇ 209	Р 225	Ы 241
2	ѓ̇ 130	љ̇ 146	б 162	џ̇̇ 178	Т 194	М 210	Р̇ 226	Ы̇ 242
3	ѓ̇̇ 131	љ̇̇ 147	Б 163	І 179	Т̇ 195	М̇ 211	С 227	З 243
4	ё 132	ћ 148	ц 164	ѣ̇ 180	-̇ 196	Н 212	С̇ 228	З̇ 244
5	ё̇ 133	ћ̇ 149	Ц 165	Х 181	ѣ̇̇ 197	Н̇ 213	Т̇̇ 229	Ш 245
6	е 134	ќ 150	д 166	Х̇ 182	К 198	О 214	Т̇̇̇ 230	Ш̇ 246
7	Е 135	Ќ 151	Д 167	И 183	К̇ 199	О̇ 215	У 231	Э 247
8	ѕ 136	ђ̇ 152	е̇ 168	И̇ 184	Љ̇̇ 200	П 216	У̇ 232	Э̇ 248
9	Ѕ 137	ђ̇̇ 153	Е̇ 169	Џ 185	Ѓ̇ 201	Ј 217	Ж 233	Щ 249
A	і 138	џ̇̇̇ 154	Ф 170	И̇̇ 186	Љ̇̇̇̇ 202	Г 218	Ж̇ 234	Щ̇ 250
B	І̇ 139	џ̇̇̇̇ 155	Ф̇ 171	Ѣ 187	Ѣ̇ 203	■ 219	В 235	Ч 251
C	ї 140	џ̇̇̇̇̇ 156	Г̇ 172	Џ̇ 188	Ѓ̇̇ 204	■̇ 220	В̇ 236	Ч̇ 252
D	İ̇ 141	џ̇̇̇̇̇̇ 157	Г̇̇ 173	Й 189	= 205	П̇ 221	Ь 237	§ 253
E	ј̇ 142	ь̇ 158	« 174	Й̇ 190	Ѣ̇̇ 206	Я̇ 222	Ь̇ 238	■̇̇ 254
F	Ј̇ 143	ь̇̇ 159	» 175	Ѧ 191	Ѧ̇ 207	■̇̇̇ 223	№ 239	SP 255

HEX	8	9	A	B	C	D	E	F
0	Ç 128	É 144	á 160	⌘ 176	Ł 192	Ɑ 208	ɑ 224	≡ 240
1	Ü 129	æ 145	í 161	⌘ 177	Ł̇ 193	Ṁ 209	β 225	± 241
2	é 130	Æ 146	ó 162	⌘ 178	Ṭ 194	Π 210	Γ 226	≥ 242
3	â 131	ô 147	ú 163	⌘ 179	Ṧ 195	Ɱ 211	π 227	≤ 243
4	ä 132	ö 148	Á 164	⌘ 180	– 196	Ł̈ 212	Σ 228	ƒ 244
5	à 133	þ 149	Í 165	⌘ 181	† 197	Ƒ 213	σ 229	Ƶ 245
6	å 134	û 150	Ó 166	⌘ 182	ƒ 198	π 214	μ 230	÷ 246
7	ç 135	ÿ 151	Ú 167	π 183	⌘ 199	⌘ 215	τ 231	≈ 247
8	ê 136	ý 152	ı 168	ƒ 184	Ł̄ 200	⌘ 216	ϕ 232	° 248
9	ë 137	ö 153	ƒ 169	⌘ 185	ƒ 201	Ƶ 217	θ 233	• 249
A	è 138	ü 154	ƒ 170	⌘ 186	Ł̄ 202	ƒ 218	Ω 234	• 250
B	Ð 139	ø 155	½ 171	⌘ 187	Ṱ 203	■ 219	δ 235	√ 251
C	ð 140	£ 156	¼ 172	⌘ 188	⌘ 204	■ 220	ω 236	∞ 252
D	þ 141	ø̊ 157	ı̇ 173	Ɑ 189	= 205	⌘ 221	ϕ 237	² 253
E	Ä 142	ƒ 158	« 174	ƒ 190	⌘ 206	⌘ 222	ε 238	■ 254
F	Å 143	ƒ 159	» 175	ƒ 191	Ł̄ 207	■ 223	∩ 239	SP 255

Page 36 (PC862: Hebrew)

HEX	8	9	A	B	C	D	E	F
0	א 128	ב 144	א 160	א 176	א 192	א 208	א 224	א 240
1	ב 129	ב 145	ב 161	ב 177	ב 193	ב 209	ב 225	ב 241
2	ג 130	ג 146	ג 162	ג 178	ג 194	ג 210	ג 226	ג 242
3	ד 131	ד 147	ד 163	ד 179	ד 195	ד 211	ד 227	ד 243
4	ה 132	ה 148	ה 164	ה 180	ה 196	ה 212	ה 228	ה 244
5	ו 133	ו 149	ו 165	ו 181	ו 197	ו 213	ו 229	ו 245
6	ז 134	ז 150	ז 166	ז 182	ז 198	ז 214	ז 230	ז 246
7	ח 135	ח 151	ח 167	ח 183	ח 199	ח 215	ח 231	ח 247
8	ט 136	ט 152	ט 168	ט 184	ט 200	ט 216	ט 232	ט 248
9	י 137	י 153	י 169	י 185	י 201	י 217	י 233	י 249
A	כ 138	כ 154	כ 170	כ 186	כ 202	כ 218	כ 234	כ 250
B	ל 139	ל 155	ל 171	ל 187	ל 203	ל 219	ל 235	ל 251
C	מ 140	מ 156	מ 172	מ 188	מ 204	מ 220	מ 236	מ 252
D	נ 141	נ 157	נ 173	נ 189	נ 205	נ 221	נ 237	נ 253
E	ס 142	ס 158	ס 174	ס 190	ס 206	ס 222	ס 238	ס 254
F	ע 143	ע 159	ע 175	ע 191	ע 207	ע 223	ע 239	ע 255

HEX	8	9	A	B	C	D	E	F
0	° 128	β 144	SP 160	• 176	ϕ 192	ذ 208	- 224	ء 240
1	• 129	ω 145	- 161	ا 177	ء 193	ر 209	ف 225	ء 241
2	• 130	φ 146	ل 162	٢ 178	آ 194	ز 210	ق 226	ن 242
3	√ 131	± 147	£ 163	٣ 179	أ 195	ع 211	ك 227	ه 243
4	☼ 132	½ 148	¤ 164	٤ 180	ؤ 196	ث 212	ل 228	ه 244
5	- 133	¼ 149	ل 165	٥ 181	ع 197	ط 213	م 229	و 245
6	134	≈ 150	SP 166	٦ 182	ئ 198	ظ 214	ن 230	ي 246
7	† 135	« 151	€ 167	٧ 183	ا 199	ط 215	ه 231	غ 247
8	‡ 136	» 152	ل 168	٨ 184	ب 200	ظ 216	و 232	ق 248
9	‡ 137	لا 153	ب 169	٩ 185	ة 201	ع 217	ي 233	لا 249
A	‡ 138	لا 154	ت 170	ف 186	نا 202	غ 218	ب 234	لا 250
B	⊥ 139	SP 155	ث 171	؛ 187	شا 203	ا 219	فر 235	ل 251
C	‡ 140	SP 156	، 172	ع 188	ج 204	ر 220	ع 236	ك 252
D	‡ 141	لا 157	ج 173	شر 189	ح 205	÷ 221	غ 237	ي 253
E	‡ 142	لا 158	ح 174	ص 190	خ 206	× 222	غ 238	■ 254
F	‡ 143	، 159	خ 175	؟ 191	د 207	ع 223	م 239	SP 255

Page 38 (PC869: Greek)

HEX	8	9	A	B	C	D	E	F
0	SP 128	Ι 144	ϊ 160	⋯ 176	Λ 192	Τ 208	Ζ 224	- 240
1	SP 129	ϊ 145	Ͽ 161	⋯ 177	⊥ 193	Υ 209	η 225	± 241
2	SP 130	ϐ 146	ό 162	⋯ 178	Τ 194	Φ 210	θ 226	υ 242
3	SP 131	SP 147	ύ 163	Ι 179	† 195	Χ 211	Λ 227	φ 243
4	SP 132	SP 148	Α 164	† 180	- 196	Ψ 212	Κ 228	χ 244
5	SP 133	Υ 149	Β 165	Κ 181	† 197	Ω 213	λ 229	§ 245
6	À 134	ÿ 150	Γ 166	Λ 182	Π 198	α 214	μ 230	ψ 246
7	€ 135	© 151	Δ 167	Μ 183	Ρ 199	β 215	ν 231	™ 247
8	• 136	Ϛ 152	Ε 168	Ν 184	ℒ 200	γ 216	ξ 232	° 248
9	¬ 137	² 153	Ζ 169	‡ 185	℞ 201	Ј 217	ο 233	¨ 249
A	¡ 138	³ 154	Η 170	‖ 186	℥ 202	Γ 218	π 234	ω 250
B	‘ 139	ά 155	½ 171	π 187	π 203	■ 219	ρ 235	ü 251
C	’ 140	£ 156	θ 172	μ 188	℥ 204	■ 220	σ 236	ÿ 252
D	Έ 141	έ 157	Ι 173	≡ 189	= 205	δ 221	ς 237	ώ 253
E	- 142	ή 158	« 174	Ο 190	‡ 206	ε 222	τ 238	■ 254
F	Η 143	ί 159	» 175	Γ 191	Σ 207	■ 223	´ 239	SP 255

HEX	8	9	A	B	C	D	E	F
0	☐ 128	L 144	SP 160	° 176	Ř 192	Ð 208	ř 224	ď 240
1	☐ 129	Ł 145	Ą 161	ą 177	Á 193	Ń 209	á 225	ń 241
2	☐ 130	T 146	˘ 162	˙ 178	Â 194	Ň 210	â 226	ň 242
3	 131	ł 147	ł 163	ł 179	Ă 195	Ó 211	ă 227	ó 243
4	ł 132	– 148	ǣ 164	˘ 180	Ǽ 196	Ô 212	ǻ 228	ô 244
5	J 133	ł 149	Ĺ 165	ĺ 181	Ľ 197	Õ 213	í 229	õ 245
6	ŕ 134	■ 150	Ś 166	ś 182	Ć 198	Ö 214	ć 230	ö 246
7	■ 135	■ 151	Ş 167	˘ 183	Ç 199	× 215	ç 231	÷ 247
8	© 136	Ł 152	˘ 168	˙ 184	Č 200	Ř 216	č 232	ř 248
9	ł 137	ŕ 153	Š 169	š 185	É 201	Û 217	é 233	û 249
A	ł 138	Ł 154	Ş 170	ş 186	Ę 202	Ú 218	ę 234	ú 250
B	ł 139	ł 155	Ÿ 171	ÿ 187	Ě 203	Ů 219	ě 235	ů 251
C	ł 140	ł 156	Ž 172	ž 188	Ě 204	Ü 220	ě 236	ü 252
D	¢ 141	= 157	- 173	˘ 189	Í 205	Ý 221	í 237	ý 253
E	¥ 142	ł 158	Ž 174	ž 190	Î 206	Ț 222	î 238	ț 254
F	ł 143	® 159	Ž 175	ž 191	Ď 207	ß 223	ď 239	· 255

Page 40 (ISO8859-15: Latin 9)

HEX	8	9	A	B	C	D	E	F
0	SP 128	SP 144	SP 160	° 176	À 192	Ð 208	à 224	ø 240
1	SP 129	SP 145	ï 161	± 177	Á 193	Ñ 209	á 225	ñ 241
2	SP 130	SP 146	¢ 162	² 178	Â 194	Ò 210	â 226	ò 242
3	SP 131	SP 147	£ 163	³ 179	Ã 195	Ó 211	ã 227	ó 243
4	SP 132	SP 148	€ 164	ž 180	Ä 196	Ô 212	ä 228	ô 244
5	SP 133	SP 149	¥ 165	µ 181	Å 197	Õ 213	å 229	õ 245
6	SP 134	SP 150	Š 166	¶ 182	Æ 198	Ö 214	æ 230	ö 246
7	SP 135	SP 151	§ 167	· 183	Ç 199	× 215	ç 231	÷ 247
8	SP 136	SP 152	Š 168	ž 184	È 200	Ø 216	è 232	ø 248
9	SP 137	SP 153	@ 169	¹ 185	É 201	Ù 217	é 233	ù 249
A	SP 138	SP 154	ª 170	º 186	Ê 202	Ú 218	ê 234	ú 250
B	SP 139	SP 155	« 171	» 187	Ë 203	Û 219	ë 235	û 251
C	SP 140	SP 156	¬ 172	ƒ 188	Ì 204	Ü 220	ì 236	ü 252
D	SP 141	SP 157	- 173	œ 189	Í 205	Ý 221	í 237	ý 253
E	SP 142	SP 158	® 174	ÿ 190	Î 206	Þ 222	î 238	þ 254
F	SP 143	SP 159	- 175	ı 191	Ï 207	ß 223	ï 239	ÿ 255

HEX	8	9	A	B	C	D	E	F
0	SP 128	ؤ 144	ح 160	۰ 176	ل 192	ع 208	ک 224	- 240
1	SP 129	ئا 145	خ 161	۰ 177	ل 193	ع 209	ک 225	۰ 241
2	، 130	ب 146	خ 162	۰ 178	ل 194	ع 210	ک 226	۰ 242
3	؛ 131	ب 147	د 163	ا 179	ل 195	غ 211	ک 227	- 243
4	؟ 132	پ 148	ذ 164	ا 180	- 196	غ 212	ل 228	۰ 244
5	ء 133	پ 149	ر 165	فی 181	ل 197	غ 213	ل 229	۰ 245
6	آ 134	ت 150	ز 166	ظ 182	ظ 198	غ 214	م 230	۰ 246
7	آ 135	ت 151	ژ 167	ط 183	ع 199	ف 215	م 231	۰ 247
8	آ 136	ث 152	س 168	ط 184	ل 200	ف 216	ن 232	۰ 248
9	ا 137	ث 153	ع 169	ا 185	ل 201	ل 217	ن 233	۰ 249
A	ل 138	ج 154	ش 170	ا 186	ل 202	ر 218	و 234	۰ 250
B	د 139	ج 155	ش 171	ا 187	ل 203	■ 219	ه 235	۰ 251
C	ء 140	چ 156	ص 172	ا 188	ل 204	■ 220	ه 236	۰ 252
D	ا 141	چ 157	ط 173	ا 189	= 205	ق 221	ه 237	۰ 253
E	ا 142	خ 158	« 174	ظ 190	ل 206	ق 222	ه 238	■ 254
F	۰ 143	ح 159	» 175	ا 191	SP 207	■ 223	ی 239	SP 255

Page 42 (PC1118: Lithuanian)

HEX	8	9	A	B	C	D	E	F
0	Ç 128	É 144	á 160	☼ 176	Ł 192	ą 208	ɑ 224	≡ 240
1	Ü 129	æ 145	í 161	☼ 177	Ł 193	č 209	β 225	± 241
2	é 130	Æ 146	ó 162	☼ 178	Τ 194	ę 210	Γ 226	≥ 242
3	â 131	ô 147	ú 163	l 179	ł 195	è 211	π 227	≤ 243
4	ä 132	ö 148	ñ 164	ł 180	– 196	į 212	Σ 228	” 244
5	à 133	ò 149	Ñ 165	Ą 181	† 197	š 213	σ 229	“ 245
6	ǎ 134	û 150	ɑ 166	č 182	Ų 198	ų 214	μ 230	÷ 246
7	ç 135	ù 151	o 167	Ę 183	Ū 199	ū 215	τ 231	≈ 247
8	ê 136	ÿ 152	ı 168	É 184	Ł 200	ž 216	Φ 232	° 248
9	ë 137	ö 153	ƒ 169	ł 185	Ɔ 201	Ĳ 217	Θ 233	• 249
A	è 138	ü 154	ƒ 170	ll 186	Ł 202	ƒ 218	Ω 234	˙ 250
B	ï 139	ϕ 155	$\frac{1}{2}$ 171	ł 187	ł 203	■ 219	δ 235	√ 251
C	î 140	£ 156	$\frac{1}{4}$ 172	ł 188	ł 204	■ 220	ω 236	∞ 252
D	ì 141	¥ 157	ı 173	ł 189	= 205	l 221	φ 237	² 253
E	Ä 142	Ɔ 158	« 174	š 190	ł 206	l 222	ε 238	■ 254
F	Å 143	f 159	» 175	ł 191	ž 207	■ 223	∩ 239	SP 255

HEX	8	9	A	B	C	D	E	F
0	А <small>128</small>	Р <small>144</small>	а <small>160</small>	⌘ <small>176</small>	Լ <small>192</small>	ą <small>208</small>	р <small>224</small>	ė <small>240</small>
1	Б <small>129</small>	С <small>145</small>	б <small>161</small>	⌘ <small>177</small>	Լ <small>193</small>	č <small>209</small>	с <small>225</small>	ë <small>241</small>
2	В <small>130</small>	Т <small>146</small>	в <small>162</small>	⌘ <small>178</small>	Լ <small>194</small>	ę <small>210</small>	т <small>226</small>	≥ <small>242</small>
3	Г <small>131</small>	У <small>147</small>	г <small>163</small>	Լ <small>179</small>	Լ <small>195</small>	è <small>211</small>	у <small>227</small>	≤ <small>243</small>
4	Д <small>132</small>	Ф <small>148</small>	д <small>164</small>	Լ <small>180</small>	– <small>196</small>	ì <small>212</small>	ф <small>228</small>	” <small>244</small>
5	Е <small>133</small>	Х <small>149</small>	е <small>165</small>	À <small>181</small>	† <small>197</small>	š <small>213</small>	х <small>229</small>	“ <small>245</small>
6	Ж <small>134</small>	Ц <small>150</small>	ж <small>166</small>	Č <small>182</small>	Ū <small>198</small>	ų <small>214</small>	ц <small>230</small>	÷ <small>246</small>
7	З <small>135</small>	Ч <small>151</small>	з <small>167</small>	Ę <small>183</small>	Ū <small>199</small>	ū <small>215</small>	ч <small>231</small>	≈ <small>247</small>
8	И <small>136</small>	Ш <small>152</small>	и <small>168</small>	È <small>184</small>	Љ <small>200</small>	ž <small>216</small>	ш <small>232</small>	° <small>248</small>
9	Й <small>137</small>	Щ <small>153</small>	й <small>169</small>	И <small>185</small>	Г <small>201</small>	Ј <small>217</small>	щ <small>233</small>	• <small>249</small>
A	К <small>138</small>	Ь <small>154</small>	к <small>170</small>	И <small>186</small>	Љ <small>202</small>	г <small>218</small>	ь <small>234</small>	• <small>250</small>
B	Л <small>139</small>	Ы <small>155</small>	л <small>171</small>	И <small>187</small>	Љ <small>203</small>	■ <small>219</small>	ы <small>235</small>	√ <small>251</small>
C	М <small>140</small>	Ь <small>156</small>	м <small>172</small>	И <small>188</small>	Љ <small>204</small>	■ <small>220</small>	ь <small>236</small>	п <small>252</small>
D	Н <small>141</small>	Э <small>157</small>	н <small>173</small>	И <small>189</small>	= <small>205</small>	■ <small>221</small>	э <small>237</small>	² <small>253</small>
E	О <small>142</small>	Ю <small>158</small>	о <small>174</small>	Š <small>190</small>	† <small>206</small>	■ <small>222</small>	ю <small>238</small>	■ <small>254</small>
F	П <small>143</small>	Я <small>159</small>	п <small>175</small>	Г <small>191</small>	Ž <small>207</small>	■ <small>223</small>	я <small>239</small>	SP <small>255</small>

Page 44 (PC1125: Ukrainian)

HEX	8	9	A	B	C	D	E	F
0	А 128	Р 144	а 160	⌘ 176	Л 192	щ 208	р 224	Є 240
1	Б 129	С 145	б 161	⌘ 177	л 193	џ 209	с 225	є 241
2	В 130	Т 146	в 162	⌘ 178	т 194	п 210	т 226	г 242
3	Г 131	У 147	г 163	І 179	ѓ 195	ц 211	у 227	ґ 243
4	Д 132	Ф 148	д 164	і 180	– 196	ќ 212	ф 228	Є 244
5	Е 133	Х 149	е 165	ї 181	† 197	ґ 213	х 229	є 245
6	Ж 134	Ц 150	ж 166	ії 182	ѓ 198	п 214	ц 230	І 246
7	З 135	Ч 151	з 167	п 183	ії 199	ії 215	ч 231	і 247
8	И 136	Ш 152	и 168	ґ 184	љ 200	ќ 216	ш 232	ї 248
9	Й 137	Щ 153	й 169	ії 185	ґ 201	ј 217	щ 233	ї 249
A	К 138	Ь 154	к 170	ії 186	љ 202	г 218	ь 234	÷ 250
B	Л 139	Ы 155	л 171	ії 187	џ 203	■ 219	ы 235	± 251
C	М 140	Ь 156	м 172	ії 188	ії 204	■ 220	ь 236	№ 252
D	Н 141	Э 157	н 173	ії 189	= 205	І 221	э 237	¤ 253
E	О 142	Ю 158	о 174	ї 190	ії 206	І 222	ю 238	■ 254
F	П 143	Я 159	п 175	ї 191	ї 207	■ 223	я 239	SP 255

HEX	8	9	A	B	C	D	E	F
0	€ 128	SP 144	SP 160	° 176	Ř 192	Ð 208	ř 224	đ 240
1	SP 129	‘ 145	ˇ 161	± 177	Á 193	Ñ 209	á 225	ñ 241
2	, 130	, 146	˘ 162	• 178	Â 194	Ň 210	â 226	ň 242
3	SP 131	“ 147	Ł 163	ł 179	Ă 195	Ó 211	ă 227	ó 243
4	” 132	” 148	ǫ 164	˘ 180	Ǽ 196	Ô 212	ǻ 228	ô 244
5	… 133	• 149	À 165	μ 181	Í 197	Õ 213	í 229	õ 245
6	† 134	- 150	¡ 166	¶ 182	Ć 198	Ö 214	ć 230	ö 246
7	‡ 135	- 151	§ 167	• 183	Ç 199	× 215	ç 231	÷ 247
8	SP 136	SP 152	¨ 168	· 184	Č 200	Ř 216	č 232	ř 248
9	‰ 137	™ 153	© 169	ª 185	É 201	Û 217	é 233	û 249
A	Š 138	š 154	Ş 170	ş 186	È 202	Ú 218	è 234	ú 250
B	< 139	> 155	« 171	» 187	Ë 203	Û 219	ë 235	ü 251
C	Š 140	š 156	ˆ 172	Ĺ 188	Ě 204	Ü 220	ě 236	ü 252
D	Ť 141	ť 157	- 173	˘ 189	Í 205	Ý 221	í 237	ý 253
E	Ž 142	ž 158	® 174	ř 190	Î 206	ı 222	î 238	ı 254
F	Ž 143	ž 159	Ž 175	ž 191	Ď 207	ß 223	ď 239	· 255

Page 46 (WPC1251: Cyrillic)

HEX	8	9	A	B	C	D	E	F
0	ћ 128	ћ 144	SP 160	° 176	А 192	Р 208	а 224	р 240
1	ѓ 129	‘ 145	ђ 161	± 177	Б 193	С 209	б 225	с 241
2	’ 130	’ 146	ђ 162	І 178	В 194	Т 210	в 226	т 242
3	ѓ 131	“ 147	Ј 163	і 179	Г 195	У 211	г 227	у 243
4	” 132	” 148	ѧ 164	г 180	Д 196	Ф 212	д 228	ф 244
5	… 133	• 149	Г 165	μ 181	Е 197	Х 213	е 229	х 245
6	† 134	- 150	і 166	п 182	Ж 198	Ц 214	ж 230	ц 246
7	‡ 135	- 151	§ 167	• 183	З 199	Ч 215	з 231	ч 247
8	€ 136	SP 152	Ё 168	ё 184	И 200	Ш 216	и 232	ш 248
9	‰ 137	™ 153	© 169	№ 185	Й 201	Щ 217	й 233	щ 249
A	љ 138	љ 154	Є 170	є 186	К 202	Ъ 218	к 234	ъ 250
B	‹ 139	› 155	« 171	» 187	Л 203	Ы 219	л 235	ы 251
C	ћ 140	ћ 156	¬ 172	ј 188	М 204	Ь 220	м 236	ь 252
D	ќ 141	ќ 157	- 173	ѕ 189	Н 205	Э 221	н 237	э 253
E	ћ 142	ћ 158	® 174	ѕ 190	О 206	Ю 222	о 238	ю 254
F	џ 143	џ 159	İ 175	ï 191	П 207	Я 223	п 239	я 255

HEX	8	9	A	B	C	D	E	F
0	€ 128	SP 144	SP 160	° 176	ÿ 192	Π 208	Û 224	π 240
1	SP 129	‘ 145	” 161	± 177	Α 193	Ρ 209	α 225	ρ 241
2	, 130	’ 146	Ά 162	² 178	Β 194	SP 210	β 226	ς 242
3	f 131	“ 147	£ 163	³ 179	Γ 195	Σ 211	γ 227	σ 243
4	” 132	” 148	α 164	´ 180	Δ 196	Τ 212	δ 228	τ 244
5	… 133	• 149	¥ 165	μ 181	Ε 197	Υ 213	ε 229	υ 245
6	† 134	- 150	! 166	¶ 182	Ζ 198	Φ 214	ζ 230	φ 246
7	‡ 135	- 151	§ 167	· 183	Η 199	Χ 215	η 231	χ 247
8	SP 136	SP 152	” 168	Έ 184	Θ 200	Ψ 216	θ 232	ψ 248
9	‰ 137	™ 153	© 169	Ή 185	Ι 201	Ω 217	ι 233	ω 249
A	SP 138	SP 154	α 170	Ί 186	Κ 202	Ϊ 218	κ 234	ϊ 250
B	< 139	> 155	« 171	» 187	Λ 203	Ϋ 219	λ 235	ϋ 251
C	SP 140	SP 156	¬ 172	Ό 188	Μ 204	ά 220	μ 236	ό 252
D	SP 141	SP 157	- 173	½ 189	Ν 205	έ 221	ν 237	ύ 253
E	SP 142	SP 158	® 174	Υ 190	Ξ 206	ή 222	ξ 238	ώ 254
F	SP 143	SP 159	- 175	Ϟ 191	Ο 207	ί 223	ο 239	SP 255

Page 48 (WPC1254: Turkish)

HEX	8	9	A	B	C	D	E	F
0	€ 128	SP 144	SP 160	° 176	À 192	Ğ 208	à 224	ğ 240
1	SP 129	‘ 145	ı 161	± 177	Á 193	Ñ 209	á 225	ñ 241
2	, 130	, 146	¢ 162	² 178	Â 194	Ò 210	â 226	ò 242
3	f 131	“ 147	£ 163	³ 179	Ã 195	Ó 211	ã 227	ó 243
4	” 132	” 148	¤ 164	´ 180	Ä 196	Ô 212	ä 228	ô 244
5	… 133	• 149	¥ 165	µ 181	Å 197	Õ 213	å 229	õ 245
6	† 134	- 150	¦ 166	¶ 182	Æ 198	Ö 214	æ 230	ö 246
7	‡ 135	- 151	§ 167	· 183	Ç 199	× 215	ç 231	÷ 247
8	^ 136	~ 152	¨ 168	¸ 184	È 200	Ø 216	è 232	ø 248
9	‰ 137	™ 153	© 169	¹ 185	É 201	Ù 217	é 233	ù 249
A	Š 138	Š 154	ª 170	º 186	Ê 202	Ú 218	ê 234	ú 250
B	‹ 139	› 155	« 171	» 187	Ë 203	Û 219	ë 235	û 251
C	Œ 140	œ 156	¬ 172	¼ 188	Ì 204	Ü 220	ì 236	ü 252
D	SP 141	SP 157	- 173	½ 189	Í 205	İ 221	í 237	ı 253
E	SP 142	SP 158	® 174	¾ 190	Î 206	Ş 222	î 238	ş 254
F	SP 143	ÿ 159	- 175	¿ 191	Ï 207	ß 223	ï 239	ÿ 255

HEX	8	9	A	B	C	D	E	F
0	€ 128	SP 144	SP 160	° 176	· 192	। 208	א 224	י 240
1	SP 129	‘ 145	ı 161	‡ 177	∴ 193	· 209	ב 225	כ 241
2	‚ 130	’ 146	¢ 162	² 178	∵ 194	· 210	ג 226	ל 242
3	f 131	“ 147	£ 163	³ 179	∶ 195	· 211	ד 227	מ 243
4	” 132	” 148	¤ 164	´ 180	· 196	 212	ה 228	נ 244
5	… 133	• 149	¥ 165	µ 181	∷ 197	 213	ו 229	ס 245
6	† 134	- 150	! 166	¶ 182	∸ 198	 214	ז 230	ע 246
7	‡ 135	- 151	§ 167	· 183	- 199	’ 215	ח 231	פ 247
8	^ 136	~ 152	¨ 168	˙ 184	˚ 200	” 216	ט 232	ק 248
9	‰ 137	™ 153	© 169	¹ 185	· 201	SP 217	י 233	ר 249
A	SP 138	SP 154	× 170	÷ 186	SP 202	SP 218	ש 234	ת 250
B	< 139	> 155	« 171	» 187	∽ 203	SP 219) 235	SP 251
C	SP 140	SP 156	¬ 172	¼ 188	· 204	SP 220	ז 236	SP 252
D	SP 141	SP 157	- 173	½ 189	· 205	SP 221	ח 237	SP 253
E	SP 142	SP 158	® 174	¾ 190	- 206	SP 222	ט 238	SP 254
F	SP 143	SP 159	- 175	¿ 191	- 207	SP 223	י 239	SP 255

Page 50 (WPC1256: Arabic)

HEX	8	9	A	B	C	D	E	F
0	€ 128	ﻛ 144	SP 160	° 176	^ 192	ذ 208	à 224	° 240
1	پ 129	‘ 145	‘ 161	± 177	ء 193	ر 209	ل 225	° 241
2	، 130	’ 146	¢ 162	² 178	آ 194	ز 210	â 226	° 242
3	f 131	“ 147	£ 163	³ 179	أ 195	س 211	م 227	‘ 243
4	” 132	” 148	¤ 164	´ 180	ؤ 196	ش 212	ن 228	ô 244
5	… 133	• 149	¥ 165	µ 181	ل 197	ص 213	ه 229	° 245
6	† 134	- 150	¡ 166	¶ 182	ئ 198	ض 214	و 230	‘ 246
7	‡ 135	- 151	§ 167	· 183	ا 199	× 215	ç 231	÷ 247
8	^ 136	ك 152	¨ 168	¸ 184	ب 200	ط 216	è 232	° 248
9	‰ 137	™ 153	© 169	¹ 185	ة 201	ظ 217	é 233	ù 249
A	ث 138	ث 154	ه 170	؛ 186	ت 202	ع 218	ê 234	° 250
B	< 139	> 155	« 171	» 187	ث 203	غ 219	ë 235	û 251
C	£ 140	œ 156	¬ 172	$\frac{1}{4}$ 188	ج 204	- 220	ى 236	ü 252
D	چ 141	SP 157	- 173	$\frac{1}{2}$ 189	ح 205	ف 221	ي 237	SP 253
E	ژ 142	SP 158	® 174	$\frac{3}{4}$ 190	خ 206	ق 222	î 238	SP 254
F	ڈ 143	ں 159	- 175	? 191	د 207	ك 223	ï 239	ے 255

HEX	8	9	A	B	C	D	E	F
0	€ 128	SP 144	SP 160	° 176	À 192	Š 208	ą 224	š 240
1	SP 129	‘ 145	SP 161	± 177	Ā 193	Ń 209	į 225	ń 241
2	‚ 130	’ 146	¢ 162	² 178	Ā 194	Ń 210	ā 226	ņ 242
3	SP 131	“ 147	£ 163	³ 179	Ć 195	Ó 211	ć 227	ó 243
4	” 132	” 148	¤ 164	´ 180	Ä 196	Ō 212	ä 228	ō 244
5	… 133	• 149	SP 165	μ 181	Å 197	Õ 213	å 229	õ 245
6	† 134	- 150	¡ 166	¶ 182	Ę 198	Ö 214	ę 230	ö 246
7	‡ 135	- 151	§ 167	· 183	Ē 199	× 215	ē 231	÷ 247
8	SP 136	SP 152	Ø 168	∅ 184	Č 200	Ų 216	č 232	ų 248
9	‰ 137	™ 153	© 169	¹ 185	É 201	Ł 217	é 233	ł 249
A	SP 138	SP 154	® 170	ª 186	Ž 202	Ś 218	ż 234	ś 250
B	< 139	> 155	« 171	» 187	È 203	Ū 219	è 235	ū 251
C	SP 140	SP 156	¬ 172	¼ 188	Ĝ 204	Ü 220	ğ 236	ü 252
D	¨ 141	- 157	- 173	½ 189	Ķ 205	Ż 221	ķ 237	ż 253
E	˘ 142	˙ 158	® 174	¾ 190	Ī 206	Ž 222	ī 238	ž 254
F	˚ 143	SP 159	Æ 175	æ 191	Ļ 207	ß 223	ļ 239	· 255

Page 52 (WPC1258: Vietnamese)

HEX	8	9	A	B	C	D	E	F
0	€ 128	SP 144	SP 160	° 176	À 192	Ð 208	à 224	đ 240
1	SP 129	‘ 145	ì 161	± 177	Á 193	Ñ 209	á 225	ñ 241
2	, 130	, 146	¢ 162	² 178	Â 194	” 210	â 226	· 242
3	f 131	“ 147	£ 163	³ 179	Ă 195	Ó 211	ă 227	ó 243
4	” 132	” 148	¤ 164	´ 180	Ä 196	Ô 212	ä 228	ô 244
5	… 133	• 149	¥ 165	µ 181	Å 197	Õ 213	å 229	õ 245
6	† 134	- 150	¡ 166	¶ 182	Æ 198	Ö 214	æ 230	ö 246
7	‡ 135	- 151	§ 167	· 183	Ç 199	× 215	ç 231	÷ 247
8	^ 136	~ 152	¨ 168	¸ 184	È 200	Ø 216	è 232	ø 248
9	‰ 137	™ 153	© 169	¹ 185	É 201	Ù 217	é 233	ù 249
A	SP 138	SP 154	à 170	º 186	Ê 202	Ú 218	ê 234	ú 250
B	< 139	> 155	« 171	» 187	Ë 203	Û 219	ë 235	û 251
C	ƒ 140	œ 156	¬ 172	¼ 188	ˆ 204	Ü 220	˘ 236	ü 252
D	SP 141	SP 157	- 173	½ 189	Í 205	Ư 221	í 237	ư 253
E	SP 142	SP 158	® 174	¾ 190	Î 206	˜ 222	î 238	đ 254
F	SP 143	ÿ 159	- 175	¿ 191	Ï 207	ß 223	ï 239	ÿ 255

HEX	8	9	A	B	C	D	E	F
0	Һ <small>128</small>	Һ <small>144</small>	SP <small>160</small>	° <small>176</small>	А <small>192</small>	Р <small>208</small>	а <small>224</small>	р <small>240</small>
1	Ғ <small>129</small>	‘ <small>145</small>	Ұ <small>161</small>	± <small>177</small>	Б <small>193</small>	С <small>209</small>	б <small>225</small>	с <small>241</small>
2	’ <small>130</small>	’ <small>146</small>	Ұ <small>162</small>	І <small>178</small>	В <small>194</small>	Т <small>210</small>	в <small>226</small>	т <small>242</small>
3	Ғ <small>131</small>	“ <small>147</small>	Ә <small>163</small>	і <small>179</small>	Г <small>195</small>	У <small>211</small>	г <small>227</small>	у <small>243</small>
4	” <small>132</small>	” <small>148</small>	Ғ <small>164</small>	ө <small>180</small>	Д <small>196</small>	Ф <small>212</small>	д <small>228</small>	ф <small>244</small>
5	… <small>133</small>	• <small>149</small>	Ө <small>165</small>	μ <small>181</small>	Е <small>197</small>	Х <small>213</small>	е <small>229</small>	х <small>245</small>
6	† <small>134</small>	- <small>150</small>	і <small>166</small>	П <small>182</small>	Ж <small>198</small>	Ц <small>214</small>	ж <small>230</small>	ц <small>246</small>
7	‡ <small>135</small>	- <small>151</small>	§ <small>167</small>	• <small>183</small>	З <small>199</small>	Ч <small>215</small>	з <small>231</small>	ч <small>247</small>
8	€ <small>136</small>	SP <small>152</small>	Ё <small>168</small>	ё <small>184</small>	И <small>200</small>	Ш <small>216</small>	и <small>232</small>	ш <small>248</small>
9	‰ <small>137</small>	™ <small>153</small>	© <small>169</small>	№ <small>185</small>	Й <small>201</small>	Щ <small>217</small>	й <small>233</small>	щ <small>249</small>
A	Љ <small>138</small>	Љ <small>154</small>	Ғ <small>170</small>	Ғ <small>186</small>	К <small>202</small>	Ь <small>218</small>	к <small>234</small>	ь <small>250</small>
B	< <small>139</small>	> <small>155</small>	« <small>171</small>	» <small>187</small>	Л <small>203</small>	Ы <small>219</small>	л <small>235</small>	ы <small>251</small>
C	Һ <small>140</small>	Һ <small>156</small>	Ғ <small>172</small>	ә <small>188</small>	М <small>204</small>	Ъ <small>220</small>	м <small>236</small>	ъ <small>252</small>
D	Қ <small>141</small>	Қ <small>157</small>	- <small>173</small>	Ғ <small>189</small>	Н <small>205</small>	Э <small>221</small>	н <small>237</small>	э <small>253</small>
E	Һ <small>142</small>	Һ <small>158</small>	® <small>174</small>	Ғ <small>190</small>	О <small>206</small>	Ю <small>222</small>	о <small>238</small>	ю <small>254</small>
F	Ц <small>143</small>	Ц <small>159</small>	Ұ <small>175</small>	Ұ <small>191</small>	П <small>207</small>	Я <small>223</small>	п <small>239</small>	я <small>255</small>

Page 254 (User-Defined Page)

HEX	8	9	A	B	C	D	E	F
0	SP 128	SP 144	SP 160	SP 176	SP 192	SP 208	SP 224	SP 240
1	SP 129	SP 145	SP 161	SP 177	SP 193	SP 209	SP 225	SP 241
2	SP 130	SP 146	SP 162	SP 178	SP 194	SP 210	SP 226	SP 242
3	SP 131	SP 147	SP 163	SP 179	SP 195	SP 211	SP 227	SP 243
4	SP 132	SP 148	SP 164	SP 180	SP 196	SP 212	SP 228	SP 244
5	SP 133	SP 149	SP 165	SP 181	SP 197	SP 213	SP 229	SP 245
6	SP 134	SP 150	SP 166	SP 182	SP 198	SP 214	SP 230	SP 246
7	SP 135	SP 151	SP 167	SP 183	SP 199	SP 215	SP 231	SP 247
8	SP 136	SP 152	SP 168	SP 184	SP 200	SP 216	SP 232	SP 248
9	SP 137	SP 153	SP 169	SP 185	SP 201	SP 217	SP 233	SP 249
A	SP 138	SP 154	SP 170	SP 186	SP 202	SP 218	SP 234	SP 250
B	SP 139	SP 155	SP 171	SP 187	SP 203	SP 219	SP 235	SP 251
C	SP 140	SP 156	SP 172	SP 188	SP 204	SP 220	SP 236	SP 252
D	SP 141	SP 157	SP 173	SP 189	SP 205	SP 221	SP 237	SP 253
E	SP 142	SP 158	SP 174	SP 190	SP 206	SP 222	SP 238	SP 254
F	SP 143	SP 159	SP 175	SP 191	SP 207	SP 223	SP 239	SP 255

HEX	8	9	A	B	C	D	E	F
0	SP 128	SP 144	SP 160	SP 176	SP 192	SP 208	SP 224	SP 240
1	SP 129	SP 145	SP 161	SP 177	SP 193	SP 209	SP 225	SP 241
2	SP 130	SP 146	SP 162	SP 178	SP 194	SP 210	SP 226	SP 242
3	SP 131	SP 147	SP 163	SP 179	SP 195	SP 211	SP 227	SP 243
4	SP 132	SP 148	SP 164	SP 180	SP 196	SP 212	SP 228	SP 244
5	SP 133	SP 149	SP 165	SP 181	SP 197	SP 213	SP 229	SP 245
6	SP 134	SP 150	SP 166	SP 182	SP 198	SP 214	SP 230	SP 246
7	SP 135	SP 151	SP 167	SP 183	SP 199	SP 215	SP 231	SP 247
8	SP 136	SP 152	SP 168	SP 184	SP 200	SP 216	SP 232	SP 248
9	SP 137	SP 153	SP 169	SP 185	SP 201	SP 217	SP 233	SP 249
A	SP 138	SP 154	SP 170	SP 186	SP 202	SP 218	SP 234	SP 250
B	SP 139	SP 155	SP 171	SP 187	SP 203	SP 219	SP 235	SP 251
C	SP 140	SP 156	SP 172	SP 188	SP 204	SP 220	SP 236	SP 252
D	SP 141	SP 157	SP 173	SP 189	SP 205	SP 221	SP 237	SP 253
E	SP 142	SP 158	SP 174	SP 190	SP 206	SP 222	SP 238	SP 254
F	SP 143	SP 159	SP 175	SP 191	SP 207	SP 223	SP 239	SP 255

International Character Sets

Country	ASCII code (Hex)											
	23	24	40	5B	5C	5D	5E	60	7B	7C	7D	7E
USA	#	\$	@	[\]	^	`	{		}	~
France	#	\$	à	°	ç	§	^	`	é	ù	è	¨
Germany	#	\$	§	Ä	Ö	Ü	^	`	ä	ö	ü	ß
U.K.	£	\$	@	[\]	^	`	{		}	~
Denmark I	#	\$	@	Æ	Ø	Å	^	`	æ	ø	å	~
Sweden	#	¤	É	Ä	Ö	Å	Ü	é	ä	ö	å	ü
Italy	#	\$	@	°	\	é	^	ù	à	ò	è	ì
Spain I	¤	\$	@	í	Ñ	¿	^	`	¨	ñ	}	~
Japan	#	\$	@	[¥]	^	`	{		}	~
Norway	#	¤	É	Æ	Ø	Å	Ü	é	æ	ø	å	ü
Denmark II	#	\$	É	Æ	Ø	Å	Ü	é	æ	ø	å	ü
Spain II	#	\$	á	í	Ñ	¿	é	`	í	ñ	ó	ú
Latin America	#	\$	á	í	Ñ	¿	é	ü	í	ñ	ó	ú
Korea	#	\$	@	[#]	^	`	{		}	~
Slovenia/ Croatia	#	\$	Ž	Š	Đ	Ć	Č	Ž	Š	đ	ć	č
China	#	¥	@	[\]	^	`	{		}	~
Vietnam	đ	\$	@	[\]	^	`	{		}	~
Arabia	#	\$	@	[\]	^	`	{		}	~

