



ThinkSystem D2 Enclosure and ThinkSystem SD530 Compute Node Setup Guide



Machine Type: 7X20 and 7X21

Note

Before using this information and the product it supports, be sure to read and understand the safety information and the safety instructions, which are available at:

http://thinksystem.lenovofiles.com/help/topic/safety_documentation/pdf_files.html

In addition, be sure that you are familiar with the terms and conditions of the Lenovo warranty for your solution, which can be found at:

<http://datacentersupport.lenovo.com/warrantylookup>

First Edition (August 2017)

© Copyright Lenovo 2017.

LIMITED AND RESTRICTED RIGHTS NOTICE: If data or software is delivered pursuant to a General Services Administration "GSA" contract, use, reproduction, or disclosure is subject to restrictions set forth in Contract No. GS-35F-05925

Contents

Chapter 1. Introduction 1

Solution package contents	3
Features.	4
Specifications	6
Management options.	12

Chapter 2. Solution components . . . 19

Front view	21
Enclosure	21
Compute node	21
Node operator panel	23
Rear view	24
System Management Module	26
PCIe 3.0 x16 LEDs	27
System board layout	27
System-board internal connectors.	27
System-board switches	28
KVM breakout cable	30
2.5-inch hot-swap drive backplanes	30
Parts list.	31
Power cords	36
Internal cable routing.	36
Four 2.5-inch-drive model	36
Six 2.5-inch-drive model	38
Six 2.5-inch-drive model (NVMe supported)	41
KVM breakout module	44

Chapter 3. Solution hardware setup 47

Solution setup checklist	47
Installation Guidelines	48
System reliability guidelines	49

Working inside the solution with the power on	49
Handling static-sensitive devices	50
Install solution hardware options	50
Install hardware options in the enclosure	51
Install hardware options in the node	72
Install the enclosure in a rack	99
Cable the solution	100
Power on the node	100
Validate solution setup	100
Power off the node	100

Chapter 4. System configuration . . .101

Set the network connection for the Lenovo XClarity Controller	101
Enable System Management Module network connection via Lenovo XClarity Controller	102
Update the firmware	102
Configure the firmware	104
Memory configuration	105
RAID configuration	105
Install the operating system	106
Back up the solution configuration	106

Chapter 5. Resolving installation issues109

Appendix A. Getting help and technical assistance113

Before you call	113
Collecting service data	114
Contacting Support	115

Index117

Chapter 1. Introduction

The ThinkSystem D2 Enclosure and ThinkSystem SD530 Compute Node is a 2U solution designed for high-volume network transaction processing. This solution includes a single enclosure that can contain up to four SD530 compute nodes, which are designed to deliver a dense, scalable platform for distributed enterprise and hyperconverged solutions.

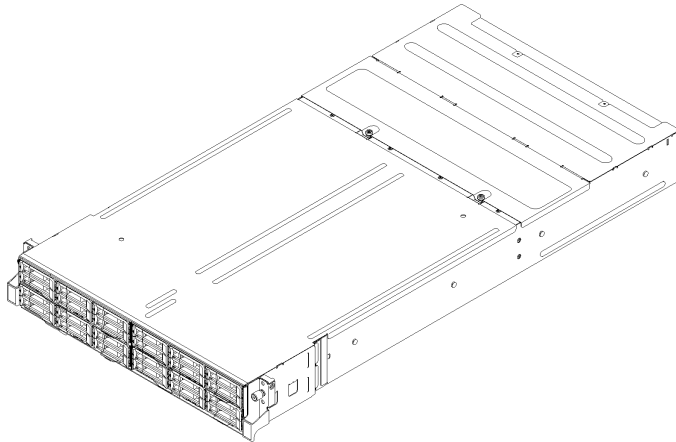


Figure 1. 2U solution

The solution comes with a limited warranty. For details about the warranty, see:
<https://datacentersupport.lenovo.com/us/en/documents/ht100742>

For details about your specific warranty, see:
<http://datacentersupport.lenovo.com/warrantylookup>

Each SD530 supports up to six 2.5-inch hot-swap Serial Attached SCSI (SAS), Serial ATA (SATA) or Non-Volatile Memory express (NVMe) hard disk drives.

Note: The illustrations in this document might differ slightly from your model.

The enclosure machine type, model number and serial number are on the ID label that can be found on the front of the enclosure, as shown in the following illustration.

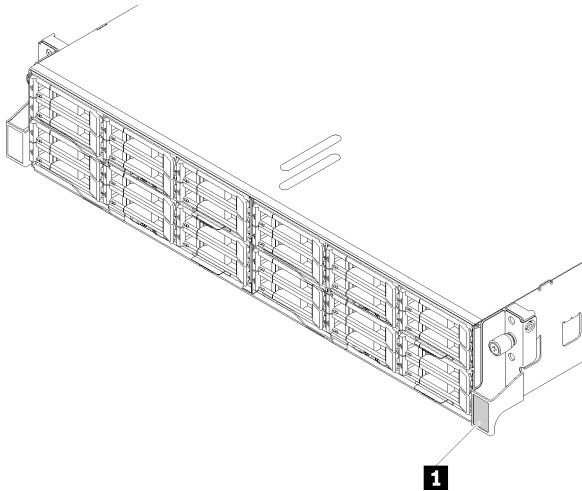


Figure 2. ID label on the front of the enclosure

Table 1. ID label on the front of the enclosure

1 ID label

The network access tag can be found on the front of the node. You can pull way the network access tag to paste your own label for recording some information such as the hostname, the system name and the inventory bar code. Please keep the network access tag for future reference.

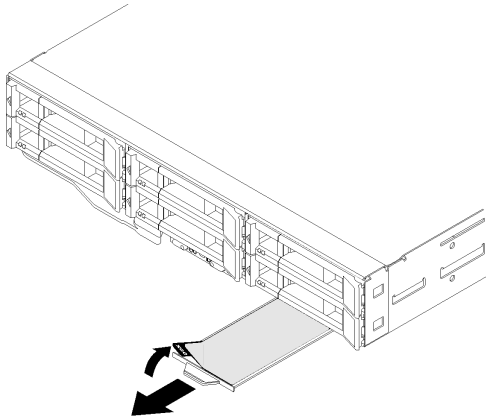


Figure 3. Network access tag on the front of the node

The node model number and serial number are on the ID label that can be found on the front of the node (on the underside of the network access tag), as shown in the following illustration.

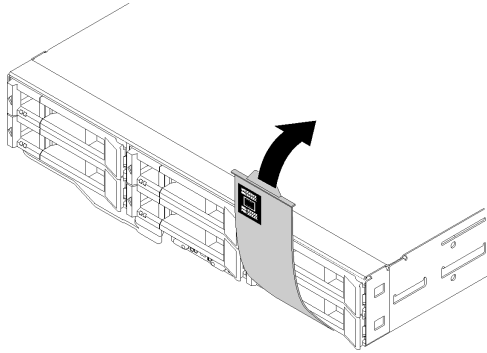


Figure 4. ID label on the front of the node

The system service label, which is on the top of the enclosure, provides a QR code for mobile access to service information. You can scan the QR code using a QR code reader and scanner with a mobile device and get quick access to the Lenovo Service Information website. The Lenovo Service Information website provides additional information for parts installation and replacement videos, and error codes for solution support.

The following illustration shows QR codes for the enclosure and the node.

- **Enclosure:** <http://datacentersupport.lenovo.com/products/servers/thinksystem/d2-enclosure/7X20>



Figure 5. Enclosure QR code

- **Node:** <http://datacentersupport.lenovo.com/products/servers/thinksystem/sd530/7X21>



Figure 6. Node QR code

Solution package contents

When you receive your solution, verify that the shipment contains everything that you expected to receive.

The solution package includes the following items:

Note: Some of the items listed are available on select models only.

- Compute node(s)
- Enclosure
- Shuttle

- Rail installation kit (optional). Detailed instructions for installing the rail installation kit are provided in the package with the rail installation kit.
- Cable management arm or cable management bar.
- Material box, including items such as power cords, rack installation template, and accessory kit.

Features

Performance, ease of use, reliability, and expansion capabilities were key considerations in the design of your solution. These design features make it possible for you to customize the system hardware to meet your needs today and provide flexible expansion capabilities for the future.

Enclosure:

- **Redundant cooling and optional power capabilities**

The enclosure supports a maximum of two 1100-watt , 1600-watt or 2000-watt hot-swap power supplies and five dual-motor hot-swap fans, which provide redundancy for a typical configuration. The redundant cooling by the fans in the enclosure enables continued operation if one of the fails.

Note: You cannot mix 1100-watt , 1600-watt and 2000-watt power supplies in the enclosure.

- **PCI adapter capabilities**

The enclosure supports up to eight low-profile PCIe x8 cards (two per node, from processor 1) or four low-profile PCIe x16 cards (one per node, from processor 1).

- **Network support**

The enclosure supports 10Gb 8-port E1OM SFP+ or 10Gb 8-port E1OM Base-T (RJ45) E1OM cards, which provides either 10Gb or 1Gb Ethernet to each node in the enclosure. The minimum networking speed requirement for the E1OM card is 1Gbps.

- **Redundant networking connection**

The Lenovo XClarity Controller provides failover capability to a redundant Ethernet connection with the applicable application installed. If a problem occurs with the primary Ethernet connection, all Ethernet traffic that is associated with the primary connection is automatically switched to the optional redundant Ethernet connection. If the applicable device drivers are installed, this switching occurs without data loss and without user intervention.

- **Systems-management capabilities**

The enclosure comes with the System Management Module. When the SMM is used with the systems-management software that comes with the solution, you can manage the functions of the solution locally and remotely. The SMM also provides system monitoring, event recording, and network alert capability. For additional information, see the User Guide: *System Management Module User's Guide* at the <http://datacentersupport.lenovo.com>.

- **Features on Demand**

If a Features on Demand feature is integrated in the solution or in an optional device that is installed in the solution, you can purchase an activation key to activate the feature. For information about Features on Demand, see:

<https://fod.lenovo.com/lkms>

- **Mobile access to Lenovo Service Information website**

The enclosure provides a QR code on the system service label, which is on the cover of the enclosure, that you can scan using a QR code reader and scanner with a mobile device to get quick access to the Lenovo Service Information website. The Lenovo Service Information website provides additional information for parts installation, replacement videos, and error codes for solution support.

Node:

- **Multi-core processing**

The compute node supports Intel Xeon E5-26xx v4 series multi-core processors. The compute node comes with one processor installed.

- **Large data-storage capacity and hot-swap capability (6 drive bays per node)**

The solution supports a maximum of twenty-four 2.5-inch hot-swap Serial Attached SCSI (SAS), Serial ATA (SATA) or Non-Volatile Memory express (NVMe) drives.

- **Active Memory**

The Active Memory feature improves the reliability of memory through memory mirroring. Memory mirroring mode replicates and stores data on two pairs of DIMMs within two channels simultaneously. If a failure occurs, the memory controller switches from the primary pair of memory DIMMs to the backup pair of DIMMs.

- **Large system-memory capacity**

The solution supports up to a maximum of 384 GB of system memory. The memory controller supports error correcting code (ECC) for up to 4 industry-standard PC4-19200 (DDR4-2400), DDR4 (fourth-generation double-data-rate). For more information about the specific types and maximum amount of memory, see “Specifications” on page 6.

- **RAID support**

The ThinkSystem RAID adapter provides hardware redundant array of independent disks (RAID) support to create configurations. The standard RAID adapter provides RAID levels 0, 1, 5, and 10. An optional RAID adapter is available for purchase.

Note: During RAID rebuild process, HDD is considered as non-useable. HDD tray Yellow LED will blink and Global HDD status LED will be on. This EVENT will be logged in Lenovo XClarity Controller. When the rebuild process is completed, HDD tray Amber LED and Global HDD status LED will be off. User can refer to HBA utility to confirm current HDD/RAID status.

- **Integrated Trusted Platform Module (TPM)**

This integrated security chip performs cryptographic functions and stores private and public secure keys. It provides the hardware support for the Trusted Computing Group (TCG) specification. You can download the software to support the TCG specification, when the software is available.

Note: For customers in the People’s Republic of China, TPM is not supported. However, customers in the People’s Republic of China can install a Trusted Cryptographic Module (TCM) adapter (sometimes called a daughter card).

- **Lenovo XClarity Administrator**

Lenovo XClarity Administrator is a centralized resource-management solution that enables administrators to deploy infrastructure faster and with less effort. The solution seamlessly integrates into System x, ThinkServer, and NeXtScale servers, as well as the Flex System converged infrastructure platform.

Lenovo XClarity Administrator provides:

- Automated discovery
- Agent-free hardware management
- Monitoring

Administrators are able to find the right information and accomplish critical tasks faster through an uncluttered, dashboard-driven graphical user interface (GUI). Centralizing and automating foundational infrastructure deployment and lifecycle management tasks across large pools of systems frees up administrator time, and makes resources available to end-users faster.

Lenovo XClarity is easily extended into the leading virtualization management platforms from Microsoft and VMware using software plug-ins, called Lenovo XClarity Integrators. The solution improves workload

uptime and service-level assurance by dynamically relocating workloads from affected hosts in the cluster during rolling solution reboots or firmware updates, or during predicted hardware failures.

For more information about Lenovo XClarity Administrator, see the <http://shop.lenovo.com/us/en/systems/software/systems-management/xclarity/> and the http://pic.dhe.ibm.com/infocenter/flexsys/information/topic/com.lenovo.lxca.doc/aug_product_page.html.

- **Lenovo XClarity Controller (XCC)**

The Lenovo XClarity Controller is the common management controller for Lenovo ThinkSystem solution hardware. The Lenovo XClarity Controller consolidates multiple management functions in a single chip on the node system board.

Some of the features that are unique to the Lenovo XClarity Controller are enhanced performance, higher-resolution remote video, and expanded security options. For additional information about the Lenovo XClarity Controller, see:

http://sysmgt.lenovofiles.com/help/topic/com.lenovo.systems.management.xcc.doc/product_page.html

- **UEFI-compliant server firmware**

Lenovo ThinkSystem firmware is Unified Extensible Firmware Interface (UEFI) 2.5 compliant. UEFI replaces BIOS and defines a standard interface between the operating system, platform firmware, and external devices.

Lenovo ThinkSystem servers are capable of booting UEFI-compliant operating systems, BIOS-based operating systems, and BIOS-based adapters as well as UEFI-compliant adapters.

Note: The solution does not support DOS (Disk Operating System).

- **Features on Demand**

If a Features on Demand feature is integrated in the solution or in an optional device that is installed in the solution, you can purchase an activation key to activate the feature. For information about Features on Demand, see:

<https://fod.lenovo.com/lkms>

- **Light path diagnostics**

Light path diagnostics provides LEDs to help you diagnose problems. For more information about the light path diagnostics, see [Light path diagnostics panel](#) and [Light path diagnostics LEDs](#).

- **Mobile access to Lenovo Service Information website**

The node provides a QR code on the system service label, which is on the cover of the node, that you can scan using a QR code reader and scanner with a mobile device to get quick access to the Lenovo Service Information website. The Lenovo Service Information website provides additional information for parts installation, replacement videos, and error codes for solution support.

Specifications

The following information is a summary of the features and specifications of the solution. Depending on the model, some features might not be available, or some specifications might not apply.

Enclosure specifications

Table 2. Enclosure specifications

Specification	Description
PCI expansion slots (depending on the enclosure model)	<ul style="list-style-type: none"> • PCIe 3.0 x8 shuttle: <ul style="list-style-type: none"> – Supports up to eight low-profile PCIe 3.0 x8 adapters One node supports up to two low-profile PCIe 3.0 x8 adapters from processor 1 • PCIe 3.0 x16 shuttle: <ul style="list-style-type: none"> – Supports up to four low-profile PCIe 3.0 x16 adapters One node supports one low-profile PCIe 3.0 x16 adapters from processor 1 <p>Notes:</p> <ol style="list-style-type: none"> 1. PCIe 3.0 x16 shuttle supports PCIe cassettes that can be installed and removed without removing the shuttle from the enclosure. 2. Ensure to power off the node before unseating the PCIe cassette from the shuttle.
Hot-swap fans	<ul style="list-style-type: none"> • Three 60x60x56mm² fans • Two 80x80x80mm² fans <p>Note: Accessed through the top of the enclosure.</p>
Power supply (depending on the model)	<p>Supports up to two hot-swap power supplies for redundancy support. (Except for the application of 240V DC applied through C14 input connect)</p> <ul style="list-style-type: none"> • 1100-watt ac power supply • 1600-watt ac power supply • 2000-watt ac power supply <p>Important: Power supplies and redundant power supplies in the enclosure must be with the same power rating, wattage or level.</p>
System Management Module (SMM)	<ul style="list-style-type: none"> • Hot-swappable • Equipped with ASPEED controller • Offers RJ45 port for management of nodes and SMM over 1G Ethernet
Ethernet I/O ports	<p>Access to a pair of on-board 10Gb connections through two types of optional enclosure level EIOM cards.</p> <ul style="list-style-type: none"> • Two optional EIOM cards: <ul style="list-style-type: none"> – 10Gb 8-port EIOM SFP+ – 10Gb 8-port EIOM Base-T (RJ45) • Minimum networking speed requirement for the EIOM card: 1Gbps <p>Note: The EIOM card is installed in the enclosure and it provides direct access to LAN functions provided by each node.</p>

Table 2. Enclosure specifications (continued)

Specification	Description
Size	2U enclosure <ul style="list-style-type: none"> • Height: 87.0 mm (3.5 inches) • Depth: 891.5 mm (35.1 inches) • Width: 488.0 mm (19.3 inches) • Weight: <ul style="list-style-type: none"> – Minimum configuration (with one minimal configuration node): 22.4 kg (49.4 lbs) – Maximum configuration (with four maximal configuration nodes): 55.0 kg (121.2 lbs)
Acoustical noise emissions	With the maximum configuration of four nodes with two processors installed, full memory installed, full drives installed, and two 2000W power supplies installed: <ul style="list-style-type: none"> • Operation: 6.8 bels • Idle: 6.2 bels
Heat output (based on two 2000-Watt power supplies)	Approximate heat output: <ul style="list-style-type: none"> • Minimum configuration (with one minimal configuration node): 604.1 BTU per hour (177 watts) • Maximum configuration (with four maximal configuration nodes): 7564.4 BTU per hour (2610 watts)
Electrical input	<ul style="list-style-type: none"> • Sine-wave input (50-60 Hz) required • Input voltage low range: 1100W is limited to 1050W <ul style="list-style-type: none"> – Minimum: 100 V AC – Maximum: 127 V AC • Input voltage high range: 1100W/1600W/2000W <ul style="list-style-type: none"> – Minimum: 200 V AC – Maximum: 240 V AC • Input kilovolt-amperes (kVA), approximately: <ul style="list-style-type: none"> – Minimum: 0.153 kVA – Maximum: 2.61 kVA

Compute node specifications

Table 3. Compute node specifications

Specification	Description
Processor (depending on the model)	<ul style="list-style-type: none"> Supports up to two Intel Xeon series multi-core processors (one installed) Level-3 cache <p>Notes:</p> <ol style="list-style-type: none"> Use the Setup utility to determine the type and speed of the processors in the node. For a list of supported processors, see http://www.lenovo.com/serverproven/.
Memory	<ul style="list-style-type: none"> Minimum: 8 GB (single DDR4 DIMM per processor) Maximum: 1,024 GB <ul style="list-style-type: none"> 512 GB (16 x 32 GB RDIMM) 1,024 GB (16 x 64 GB LRDIMM) Type: <ul style="list-style-type: none"> PC4-21300 (dual-rank), 2666 MT/s, error correcting code (ECC), double-data-rate 4 (DDR4) registered DIMM (RDIMM) or load reduced DIMM (LRDIMM) Supports (depending on the model): <ul style="list-style-type: none"> 8 GB, 16 GB, and 32 GB RDIMM 64 GB LRDIMM Slots: 16 DIMM slots
Drive bays	<p>Supports up to six 2.5-inch hot-swap SAS/SATA/NVMe drive bays.</p> <p>Attention: As a general consideration, do not mix standard 512-byte and advanced 4-KB format drives in the same RAID array because it might lead to potential performance issues.</p> <p>Supports the following 2.5-inch hot-swap drive backplanes:</p> <ul style="list-style-type: none"> Four 2.5-inch hot-swap SAS/SATA backplane Six 2.5-inch hot-swap SAS/SATA backplane Six 2.5-inch hot-swap SAS/SATA/NVMe backplane <p>Important: Do not mix nodes with the four-drive backplane and six-drive backplanes in the same enclosure. Mixing the four-drive backplane and six-drive backplanes may cause unbalanced cooling.</p>
RAID adapters (depending on the model)	<ul style="list-style-type: none"> Software RAID supports for RAID levels 0, 1, 5, and 10 Hardware RAID supports for RAID levels 0, 1, 5, and 10
Video controller (integrated into Lenovo XClarity Controller)	<ul style="list-style-type: none"> ASPEED SVGA compatible video controller Avocent Digital Video Compression Video memory is not expandable <p>Note: Maximum video resolution is 1920 x 1200 at 60 Hz.</p>

Table 3. Compute node specifications (continued)

Specification	Description
Ethernet I/O port	<p>Access to a pair of on-board 10Gb connections through two types of optional enclosure level EIOM cards.</p> <ul style="list-style-type: none"> • Two optional EIOM cards: <ul style="list-style-type: none"> – 10Gb 8-port EIOM SFP+ – 10Gb 8-port EIOM Base-T (RJ45) • Minimum networking speed requirement for the EIOM card: 1Gbps <p>Note: The EIOM card is installed in the enclosure and it provides direct access to LAN functions provided by each node.</p>
Size	<p>Node</p> <ul style="list-style-type: none"> • Height: 41.0 mm (1.7 inches) • Depth: 562.0 mm (22.2 inches) • Width: 222.0 mm (8.8 inches) • Weight: <ul style="list-style-type: none"> – Minimum weight: 3.5 kg (7.7 lb) – Maximum weight: 7.5 kg (16.6 lb)
Environment	<p>The ThinkSystem SD530 complies with ASHRAE class A2 specifications.</p> <p>Depending on the hardware configuration, some solution models comply with ASHRAE Class A3 or Class A4 specifications. System performance may be impacted when operating temperature is outside ASHRAE A2 specification or fan failed condition. To comply with ASHRAE Class A3 and Class A4 specifications, the ThinkSystem SD530 needs to meet the following hardware configuration requirements:</p> <ul style="list-style-type: none"> • Lenovo supported processors. For unsupported processors, see the following attention for details¹. • Lenovo supported PCIe adapters. For unsupported PCIe adapters, see the following attention for details². • Two power supplies installed for redundancy. 1100-watt power supplies are not supported. <p>The ThinkSystem SD530 is supported in the following environment:</p> <ul style="list-style-type: none"> • Air temperature:Power on³: <ul style="list-style-type: none"> – ASHRAE Class A2: 10°C - 35°C (50°F - 95°F); Above 900 m (2,953 ft), de-rated maximum air temperature 1°C / 300m (984 ft) – ASHRAE Class A3: 5°C - 40°C (41°F - 104°F); Above 900 m (2,953 ft), de-rated maximum air temperature 1°C / 175m (574 ft) – ASHRAE Class A4: 5°C - 45°C (41°F - 113°F); Above 900 m (2,953 ft), de-rated maximum air temperature 1°C / 125m (410 ft) Power off⁴: 5°C to 45°C (41°F to 113°F) • Maximum altitude: 3,050 m (10,000 ft) • Relative Humidity (non-condensing):Power on³: <ul style="list-style-type: none"> – ASHRAE Class A2: 8% - 80%, maximum dew point : 21°C (70°F) – ASHRAE Class A3: 8% - 85%, maximum dew point : 24°C (75°F)

Table 3. Compute node specifications (continued)

Specification	Description
	<ul style="list-style-type: none"> - ASHRAE Class A4: 8% - 90%, maximum dew point : 24°C (75°F) Shipment/storage: 8% - 90% • Particulate contamination: Airborne particulates and reactive gases acting alone or in combination with other environmental factors such as humidity or temperature might pose a risk to the solution. For information about the limits for particulates and gases, see <i>Particulate contamination</i> .

Attention:

1. The following processors are not supported with ASHRAE Class A3 and Class A4 specifications:

- 165W processor, 28-core, 26-core or 18-core (Intel Xeon 8176, 8176M, 8170, 8170M, and 6150)
- 150W processor, 26-core, 24-core, 20-core, 16-core or 12-core (Intel Xeon 8164, 8160, 8160M, 8158, 6148, 6142, 6142M, and 6136)
- 140W processor, 22-core or 18-core (Intel Xeon 6152, 6140, and 6140M)
- 140W processor, 14-core (Intel Xeon 6132)
- 130W processor, 8-core (Intel Xeon 6134 and 6134M)
- 125W processor, 20-core, 16-core or 12-core (Intel Xeon 6138, 6138T, 6130T, 6126)
- 115W processor, 6-core (Intel Xeon 6128)
- 105W processor, 14-core or 4-core (Intel Xeon 8156, 5122, and 5120T)
- 70W processor, 8-core (Intel Xeon 4109T)

Note: The listed processors are included but not limited to the above list only.

2. The following processors are not supported with ASHRAE Class A2, Class A3 and Class A4 specifications. The following processors are provided for special bid configuration only and need customer’s acceptance on the limitation consequence. The limitation includes experiencing power capping and a slight drop in performance when ambient is above 27°C.

- 205W processor, 28-core or 24-core (Intel Xeon 8180, 8180M and 8168)
- 200W processor, 18-core (Intel Xeon 6154)
- 165W processor, 12-core (Intel Xeon 6146)
- 150W processor, 24-core (Intel Xeon 8160T)
- 150W processor, 8-core (Intel Xeon 6144)
- 125W processor, 12-core (Intel Xeon 6126T)

Note: The listed processors are included but not limited to the above list only.

3. The following PCIe adapters are not supported with ASHRAE Class A3 and Class A4 specifications:

- Mellanox NIC with active optical cable
- PCIe SSD
- GPGPU card

Note: The listed PCIe adapters are included but not limited to the above list only.

4. Enclosure is powered on.

5. Enclosure is removed from original shipping container and is installed but not in use, for example, during repair, maintenance, or upgrade.

Management options

Several management interfaces are available for managing your solution. The management options described in this section are provided to support the direct management of Lenovo servers and solutions.

Function	Lenovo XClarity Administrator	Lenovo XClarity Integrator	Lenovo XClarity Energy Manager	Lenovo XClarity Provisioning Manager	Lenovo XClarity Essentials ¹	Lenovo XClarity Controller	Lenovo Capacity Planner	Lenovo Business Vantage	System Management Module
Multiple systems management	√	√	√		√				
Operating system deployment	√			√					
Firmware updates ²	√	√		√ ³	√	√			√
System configuration	√	√		√	√	√			
Events / alerts	√	√	√			√			√
Inventory / Log	√	√		√ ⁴	√	√			√
Power management		√ ⁵	√						√
Data center planning							√		
Security management								√ ⁶	

Notes:

1. Lenovo XClarity Essentials includes Lenovo XClarity Essentials OneCLI, Lenovo XClarity Essentials Bootable Media Creator, and Lenovo XClarity Essentials UpdateXpress.
2. Most options can be updated through the Lenovo tools. Some options, such as GPU firmware or Omni-Path firmware require the use of vendor tools.
3. Firmware updates are limited to Lenovo XClarity Provisioning Manager, Lenovo XClarity Controller firmware, and UEFI updates only. Firmware updates for optional devices, such as adapters, are not supported.
4. Limited inventory.
5. Power management function is supported by Lenovo XClarity Integrator for VMware vCenter.
6. Available only in the People's Republic of China.

Lenovo XClarity Administrator

Lenovo XClarity Administrator is a centralized, resource-management solution that simplifies infrastructure management, speeds responses, and enhances the availability of Lenovo server systems and solutions. It runs as a virtual appliance that automates discovery, inventory, tracking, monitoring, and provisioning for server, network, and storage hardware in a secure environment.

Lenovo XClarity Administrator provides a central interface to perform the following functions for all managed endpoints:

- **Manage and monitor hardware.** Lenovo XClarity Administrator provides agent-free hardware management. It can automatically discover manageable endpoints, including server, network, and storage hardware. Inventory data is collected for managed endpoints for an at-a-glance view of the managed hardware inventory and status.
- **Configuration management.** You can quickly provision and pre-provision all of your solutions using a consistent configuration. Configuration settings (such as local storage, I/O adapters, boot settings, firmware, ports, and Lenovo XClarity Controller and UEFI settings) are saved as a solution pattern that can be applied to one or more managed solutions. When the solution patterns are updated, the changes are automatically deployed to the applied solutions.
- **Firmware compliance and updates.** Firmware management is simplified by assigning firmware-compliance policies to managed endpoints. When you create and assign a compliance policy to managed endpoints, Lenovo XClarity Administrator monitors changes to the inventory for those endpoints and flags any endpoints that are out of compliance.

When an endpoint is out of compliance, you can use Lenovo XClarity Administrator to apply and activate firmware updates for all devices in that endpoint from a repository of firmware updates that you manage.

- **Operating System deployment.** You can use Lenovo XClarity Administrator to manage a repository of operating-system images and to deploy operating-system images to up to 28 managed servers concurrently.
- **Service and support.** Lenovo XClarity Administrator can be set up to collect and send diagnostic files automatically to your preferred service provider when certain serviceable events occur in Lenovo XClarity Administrator and the managed endpoints. You can choose to send diagnostic files to Lenovo Support using Call Home or to another service provider using SFTP. You can also manually collect diagnostic files, open a problem record, and send diagnostic files to the Lenovo Support Center.

Lenovo XClarity Administrator can be integrated into external, higher-level management and automation platforms through open REST application programming interfaces (APIs). Using the REST APIs, Lenovo XClarity Administrator can easily integrate with your existing management infrastructure. In addition, you can automate tasks using the PowerShell toolkit or the Python toolkit.

To obtain the latest version of the Lenovo XClarity Administrator, see:

<https://datacentersupport.lenovo.com/us/en/documents/LNVO-LXCAUPD>

Documentation for Lenovo XClarity Administrator is available at:

http://sysmgt.lenovofiles.com/help/topic/com.lenovo.lxca.doc/aug_product_page.html

Lenovo XClarity Integrator

Lenovo also provides the following integrators that you can use to manage Lenovo servers and solutions from higher-level management tools:

- Lenovo XClarity Integrator for VMware vCenter
- Lenovo XClarity Integrator Microsoft System Center

For more information about Lenovo XClarity Integrator, see:

<http://www3.lenovo.com/us/en/data-center/software/systems-management/xclarity-integrators>

Lenovo XClarity Energy Manager

Lenovo XClarity Energy Manager is a web-based power and temperature management solution designed for data center administrators. It monitors and manages the power consumption and temperature of servers, such as Converged, NeXtScale, System x, ThinkServer, and ThinkSystem servers. Lenovo XClarity Energy Manager models data center physical hierarchy and monitors power and temperature at the server/group level. By analyzing monitored power and temperature data, Lenovo XClarity Energy Manager greatly improves business continuity and energy efficiency.

With Lenovo XClarity Energy Manager, administrators can take control of power usage through improved data analysis and lower the TCO (total cost of ownership). The tool optimizes data center efficiency by allowing administrators to:

- Monitor energy consumption, estimate power need, and re-allocate power to servers as needed via IPMI or Redfish.
- Track platform power consumption, inlet temperature, CPU and memory power consumption.
- Visually check the layout of room, row and rack via 2D thermal map.
- Send notifications when certain events occur or thresholds are reached.
- Limit the consumed amount of energy of an endpoint by setting up policies.
- Optimize energy efficiency by monitoring real-time inlet temperatures, identifying low-usage servers based on out-of-band power data, measuring power rangers for different server models, and evaluating how servers accommodate new workloads based on the availability of resources.
- Reduce the power consumption to the minimum level to prolong service time during emergency power event (such as a data-center power failure).

For more information about downloading, installation, and usage, see:

<http://www3.lenovo.com/us/en/data-center/software/systems-management/xclarity-energy-manager/>

Lenovo XClarity Provisioning Manager

Lenovo XClarity Provisioning Manager provides a graphic user interface for configuring the system. When you start a solution and press F1, the Lenovo XClarity Provisioning Manager interface is displayed by default.

Note: The text-based interface to system configuration (the Setup Utility) is also available. From Lenovo XClarity Provisioning Manager, you can choose to restart the solution and access the text-based interface. In addition, you can choose to make the text-based interface the default interface that is displayed when you press F1.

Lenovo XClarity Provisioning Manager provides a system summary of all installed devices and includes the following functions:

- **UEFI setup.** Use this function to configure UEFI system settings, such as processor configuration, start options, and user security. You can also view POST events and the System Event Log (SEL).
- **Platform update.** Use this function to update the firmware for Lenovo XClarity Controller, Lenovo XClarity Provisioning Manager, and operating system device drivers.
- **RAID setup.** Use this function to configure RAID for the solution. It provides an easy-to-use graphical wizard that supports a unified process for performing RAID setup for a variety of RAID adapters. You can also perform advanced RAID configuration from the UEFI Setup.
- **OS installation.** Use this function to install an operating system for the solution. You can install Microsoft Windows, Linux, and VMware ESXi.
- **Diagnostics.** Use this function to view the overall health of devices installed in the solution and to perform diagnostics for hard disk drives and memory. You can also collect service data that can be saved to a USB device and sent to Lenovo Support.

Note: The service data collected by Lenovo XClarity Provisioning Manager does not include the operating system logs. To collect the operating system logs and the hardware service data, use Lenovo XClarity Essentials OneCLI.

Documentation for Lenovo XClarity Provisioning Manager is available at:

http://sysmgt.lenovofiles.com/help/topic/LXPM/LXPM_introduction.html

Lenovo XClarity Essentials

Lenovo XClarity Essentials (LXCE) is a collection of solution management utilities that provides a less complicated method to enable customers to manage Lenovo ThinkSystem, System x, and Thinkserver servers more efficiently and cost-effectively.

Lenovo XClarity Essentials includes the following utilities:

- Lenovo XClarity Essentials OneCLI is a collection of several command line applications, which can be used to:
 - Configure the solution.
 - Collect service data for the solution. If you run Lenovo XClarity Essentials OneCLI from the solution operating system (in-band), you can collect operating system logs as well. You can also choose to view the service data that has been collected or to send the service data to Lenovo Support.
 - Update firmware and device drivers for the solution. Lenovo XClarity Essentials OneCLI can help to download UpdateXpress System Packs (UXSPs) for your solution and update all the firmware and device drivers payloads within the UXSP.
 - Perform miscellaneous functions, such as rebooting the solution or rebooting the BMC.

To learn more about Lenovo XClarity Essentials OneCLI, see:

<https://datacentersupport.lenovo.com/us/en/documents/LNVO-CENTER>

Documentation for Lenovo XClarity Essentials OneCLI is available at:

<http://sysmgt.lenovofiles.com/help/index.jsp>

- Lenovo XClarity Essentials Bootable Media Creator (BoMC) is a software application that applies UpdateXpress System Packs and individual updates to your system.

Using Lenovo XClarity Essentials Bootable Media Creator, you can:

- Update the solution using an ISO image or CD.
- Update the solution using a USB key.
- Update the solution using the Preboot Execution Environment (PXE) interface.
- Update the solution in unattendance mode.
- Update the solution in Serial Over LAN (SOL) mode.

To learn more about Lenovo XClarity Essentials Bootable Media Creator, see:

<https://datacentersupport.lenovo.com/us/en/solutions/lnvo-bomc>

- Lenovo XClarity Essentials UpdateXpress is a software application that applies UpdateXpress System Packs and individual updates to your system.

Using Lenovo XClarity Essentials UpdateXpress, you can:

- Update the local solution.
- Update a remote solution.
- Create a repository of updates.

To learn more about Lenovo XClarity Essentials UpdateXpress, see:

<https://datacentersupport.lenovo.com/us/en/solutions/ht503692>

Lenovo XClarity Controller

Lenovo XClarity Controller is the management processor for the solution. It is the third generation of the Integrated Management Module (IMM) service processor that consolidates the service processor functionality, super I/O, video controller, and remote presence capabilities into a single chip on the node system board.

There are two ways to access the management processor:

- **Web-based interface.** To access the web-based interface, point your browser to the IP address for the management processor.
- **Command-line interface.** To access the CLI interface, use SSH or Telnet to log in to the management processor.

Whenever power is applied to a solution, the management processor is available. From the management processor interface, you can perform the following functions:

- Monitor all hardware devices installed in the solution.
- Power the solution on and off.
- View the system event log and system audit log for the solution.
- Use the Remote management function to log in to the solution itself.

Documentation for Lenovo XClarity Controller is available at:

http://sysmgt.lenovofiles.com/help/topic/com.lenovo.systems.management.xcc.doc/product_page.html

Lenovo Capacity Planner

Lenovo Capacity Planner is a power consumption evaluation tool that enhances data center planning by enabling IT administrators and pre-sales to understand important parameters of different type of racks, servers, and other devices. Lenovo Capacity Planner can dynamically calculate the power consumption, current, British Thermal Unit (BTU), and volt-ampere (VA) rating at the rack level, and therefore improves the efficiency of large scale deployments.

Lenovo Capacity Planner provides the following functions:

- Power/thermal evaluation in different deployments, device copying, configuration saving, and reporting.
- Customizable solution configuration, selectable workload, CPU turbo model, and worst case of fans for different evaluations in different user scenarios.
- Flex/Density servers, chassis and node level customizable configuration.
- Easy to download and run with popular web browsers, like Internet Explorer 11, Firefox, Chrome, and Edge.

Note: Users can also access the Lenovo website to run the tool online.

More information about Lenovo Capacity Planner is available at:

<http://datacentersupport.lenovo.com/us/en/products/solutions-and-software/software/lenovo-capacity-planner>

Lenovo Business Vantage

Lenovo Business Vantage is a security software tool suite designed to work with the Trusted Cryptographic Module (TCM) adapter for enhanced security, to keep user data safe, and to erase confidential data completely from a hard disk drive.

Lenovo Business Vantage provides the following functions:

- **Data Safe.** Encrypt files to ensure data safety by using TCM chip , even when the disk is in “rest” status.
- **Sure Erase.** Erase confidential data from a hard disk. This tool follows the industry standard method to do the erasing and allows the user to select different erasing levels.
- **Smart USB Protection.** Prohibit unauthorized access to the USB port of devices.
- **USB Data Safe.** Encrypt data in USB Flash on a certain device and prohibit access of data on other devices.

Note: This tool is available in the People’s Republic of China only.

More information about Lenovo Business Vantage is available at:

<http://www.lenovo.com>

System Management Module

System Management Module is a hot-swap enclosure management module that helps you to easily manage the system power bank and fan speed. It provides the fan, power and enclosure status with event logs.

Documentation for System Management Module is available at:

<http://thinksystem.lenovofiles.com/help/index.jsp>.

Chapter 2. Solution components

Use the information in this section to learn about each of the components associated with your solution.

When you contact Lenovo for help, the machine type, model, and serial number information helps support technicians to identify your solution and provide faster service.

Each SD530 supports up to six 2.5-inch hot-swap Serial Attached SCSI (SAS), Serial ATA (SATA) or Non-Volatile Memory express (NVMe) drives.

Note: The illustrations in this document might differ slightly from your model.

The enclosure machine type, model number and serial number are on the ID label that can be found on the front of the enclosure, as shown in the following illustration.

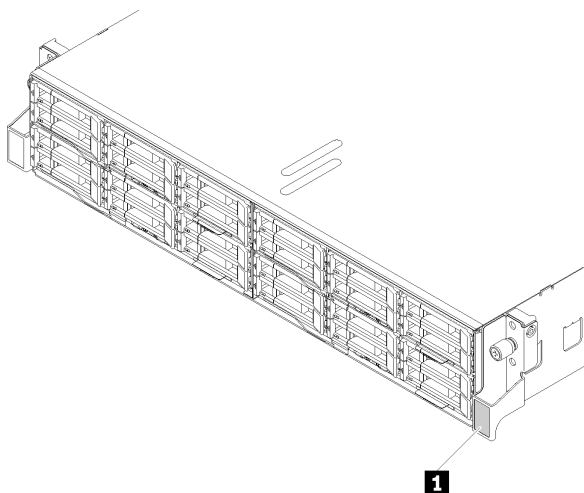


Figure 7. ID label on the front of the enclosure

Table 4. ID label on the front of the enclosure

1 ID label

The network access tag can be found on the front of the node. You can pull way the network access tag to paste your own label for recording some information such as the hostname, the system name and the inventory bar code. Please keep the network access tag for future reference.

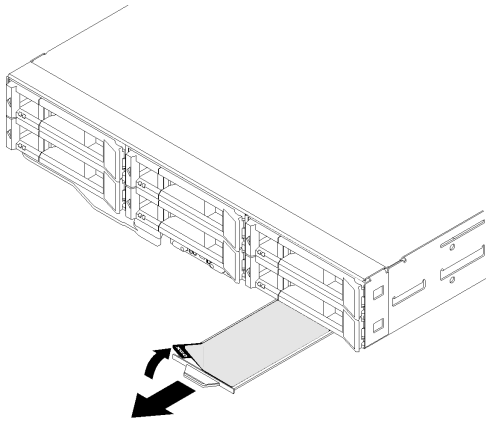


Figure 8. Network access tag on the front of the node

The node model number and serial number are on the ID label that can be found on the front of the node (on the underside of the network access tag), as shown in the following illustration.

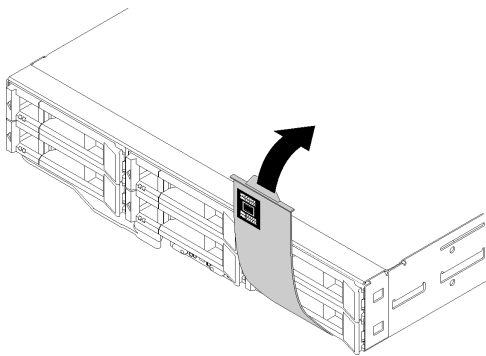


Figure 9. ID label on the front of the node

The system service label, which is on the top of the enclosure, provides a QR code for mobile access to service information. You can scan the QR code using a QR code reader and scanner with a mobile device and get quick access to the Lenovo Service Information website. The Lenovo Service Information website provides additional information for parts installation and replacement videos, and error codes for solution support.

The following illustration shows QR codes for the enclosure and the node.

- **Enclosure:** <http://datacentersupport.lenovo.com/products/servers/thinksystem/d2-enclosure/7X20>



Figure 10. Enclosure QR code

- **Node:** <http://datacentersupport.lenovo.com/products/servers/thinksystem/sd530/7X21>



Figure 11. Node QR code

Front view

The following illustration shows the controls, LEDs, and connectors on the front of the solution.

Enclosure

Note: The illustrations in this document might differ slightly from your hardware.

The enclosure supports up to four compute nodes.

The following illustration shows the node bays in the enclosure.

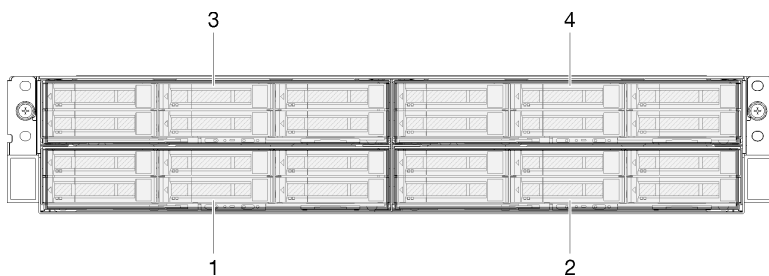


Figure 12. Node numbering

Compute node

The following illustrations show the controls, LEDs, and connectors on the front of your node.

- 2.5-inch drive model
 - Six 2.5-inch drive configuration

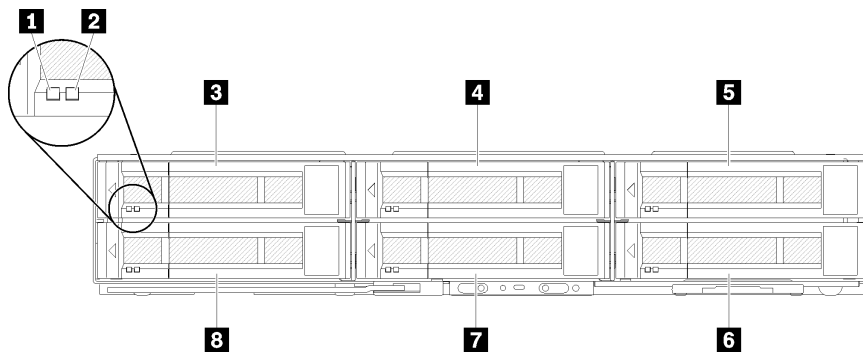


Figure 13. Six 2.5-inch drive configuration

Table 5. Components on six 2.5-inch drive configuration

1 Activity LED (green)	5 Drive 4
2 Status LED (yellow)	6 Drive 5
3 Drive 0	7 Drive 3
4 Drive 2	8 Drive 1

- Five 2.5-inch drive configuration with the KVM breakout module

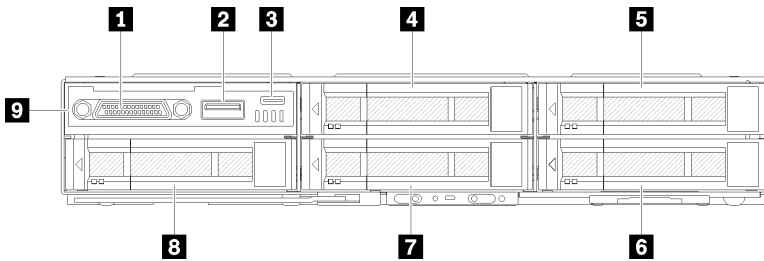


Figure 14. Five 2.5-inch drive configuration with the KVM breakout module

Table 6. Components on five 2.5-inch drive configuration with the KVM breakout module

1 KVM connector	6 Drive 5
2 USB 3.0 connector	7 Drive 3
3 Micro USB connector for Lenovo XClarity Controller management	8 Drive 1
4 Drive 2	9 KVM breakout module
5 Drive 4	

- Four 2.5-inch drive configuration with the KVM breakout module

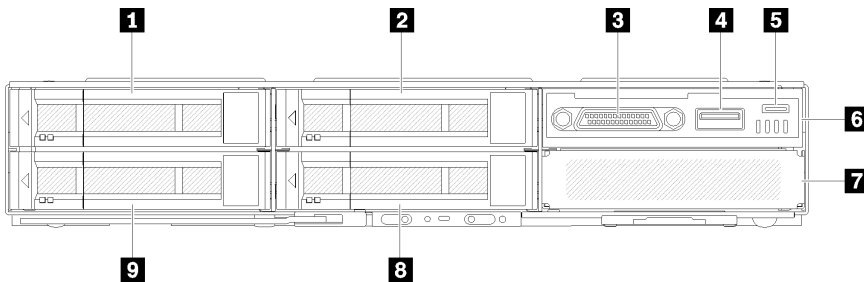


Figure 15. Four 2.5-inch drive configuration with the KVM breakout module

Table 7. Components on four 2.5-inch drive configuration with the KVM breakout module

1 Drive 0	6 KVM breakout module
2 Drive 2	7 Drive bay filler
3 KVM connector	8 Drive 3
4 USB 3.0 connector	9 Drive 1
5 Micro USB connector for Lenovo XClarity Controller management	

Activity LED (green): Green LEDs are on all hot swap drives. When this green LED is lit, it indicates that there is activity on the associated hard disk drive or solid-state drive.

- When this LED is flashing, it indicates that the drive is actively reading or writing data.
- For SAS and SATA drives, this LED is off when the drive is powered but not active.
- For NVMe (PCIe) SSDs, this LED is on solid when the drive is powered but not active.

Note: The drive activity LED might be in a different location on the front of the drive, depending on the drive type that is installed.

Status LED (yellow): The state of this yellow LED indicates an error condition or the RAID status of the associated hard disk drive or solid-state drive:

- When the yellow LED is lit continuously, it indicates that an error has occurred with the associated drive. The LED turns off only after the error is corrected. You can check event logs to determine the source of the condition.
- When the yellow LED flashes slowly, it indicates that the associated drive is being rebuilt.
- When the yellow LED flashes rapidly, it indicates that the associated drive is being located.

Note: The hard disk drive status LED might be in a different location on the front of the hard disk drive, depending on the drive type that is installed.

KVM breakout module: It provides the following connectors to connect external devices.

- **KVM connector:** Connect the console breakout cable to this connector (see “KVM breakout cable” on page 30 more information).
- **USB 3.0 connector:** Connect a USB device to this USB 3.0 connector.
- **Micro USB connector for Lenovo XClarity Controller management:** The connector provides direct access to Lenovo XClarity Controller by allowing you to connect a mobile device to the system and manage it using Lenovo XClarity Mobile. For more details, see http://sysmgt.lenovofiles.com/help/topic/com.lenovo.systems.management.xcc.doc/product_page.html and http://sysmgt.lenovofiles.com/help/topic/com.lenovo.lxca.doc/aug_product_page.html for more information.

Notes:

1. Ensure that you use a high-quality OTG cable or a high-quality converter when connecting a mobile device. Be aware that some cables that are supplied with mobile devices are only for charging purposes.
2. Once a mobile device is connected, it indicates it is ready to use and no further action is required.

Node operator panel

The following illustration shows the controls and LEDs on the node operator panel.

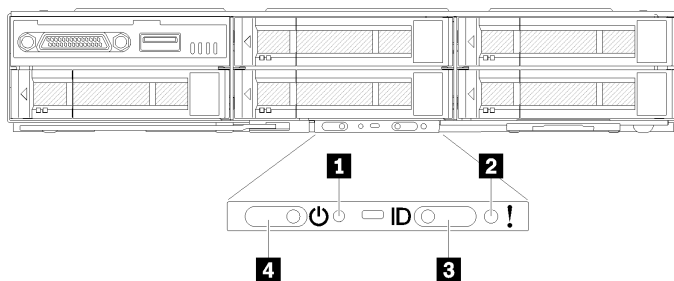


Figure 16. Node operator panel

Table 8. Node operator panel

1 NMI pinhole	3 Identification button/LED
2 System error LED	4 Power button/LED

1 NMI pinhole: Press this pinhole to force a non-maskable interrupt to the processor. It allows you to blue screen the solution and take a memory dump (use this button only when directed by the service support). You have to use the end of a straightened paper clip to press the pinhole.

2 System error LED: When this LED is lit (yellow), it indicates that a system error has occurred. Check the event log for additional information.

3 Identification button/LED: The system administrator can light this LED to aid in visually locating the compute node. This LED can be turned on locally by pressing the button or using the following commands to control the identification LED and locate the compute node.

- Turn on:

```
ipmitool.exe -I lanplus -H <XCC's IP> -U USERID -P PASSWORD raw 0x3a 0x08 0x01 0x00
```

- Turn off:

```
ipmitool.exe -I lanplus -H <XCC's IP> -U USERID -P PASSWORD raw 0x3a 0x08 0x01 0x01
```

Note: The default XCC's IP address is 192.168.70.125

To easily identify the solution from the rear side, see "System Management Module" on page 26 for more information.

4 Power button/LED: When this LED is lit (green), it indicates that the node has power. This green LED indicates the power status of the compute node:

- Flashing rapidly: The LED flashes rapidly for the following reasons:
 - The node has been installed in an enclosure. When you install the compute node, the LED flashes rapidly for up to 90 seconds while the Lenovo XClarity Controller in the node is initializing.
 - The power source is not sufficient to turn on the node.
 - The Lenovo XClarity Controller in the node is not communicating with the System Management Module.
- Flashing slowly: The node is connected to the power through the enclosure and ready to turn on.
- Lit continuously: The node is connected to the power through the enclosure.
- Not lit continuously: No power on node.

Rear view

The following illustration shows the connectors and LEDs on the rear of the enclosure.

The following illustration shows the rear view of the entire system.

- Shuttle with eight low profile PCIe x8 slots

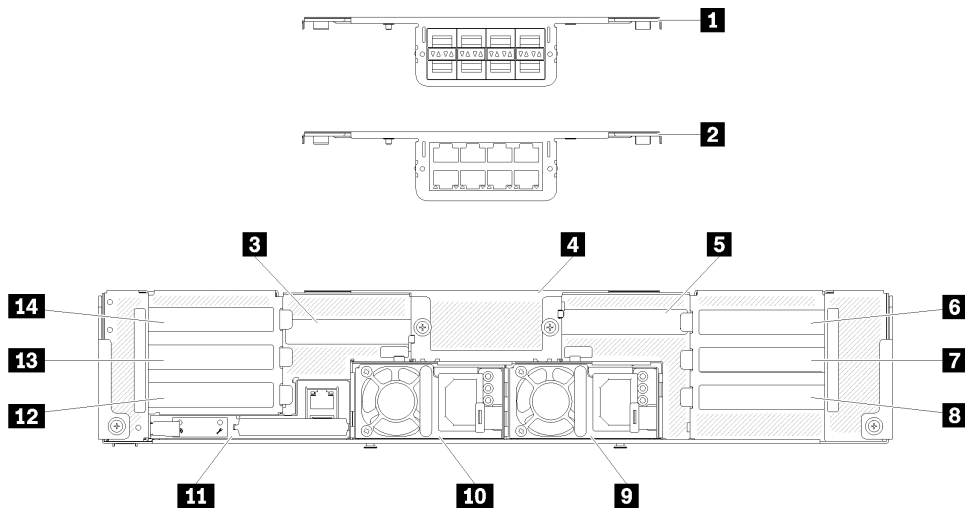


Figure 17. Rear view - The enclosure with x8 shuttle installed

Table 9. Components on x8 shuttle

1 10Gb 8-port EIOM cage (SFP+)	8 PCIe slot 1-B
2 10Gb 8-port EIOM cage (RJ45)	9 Power supply 2
3 PCIe slot 4-B	10 Power supply 1
4 10Gb 8-port EIOM cage filler	11 System Management Module
5 PCIe slot 3-B	12 PCIe slot 2-B
6 PCIe slot 3-A	13 PCIe slot 2-A
7 PCIe slot 1-A	14 PCIe slot 4-A

Note: Make sure the power cord is properly connected to every power supply unit installed.

- Shuttle with four low profile PCIe x16 cassette bays

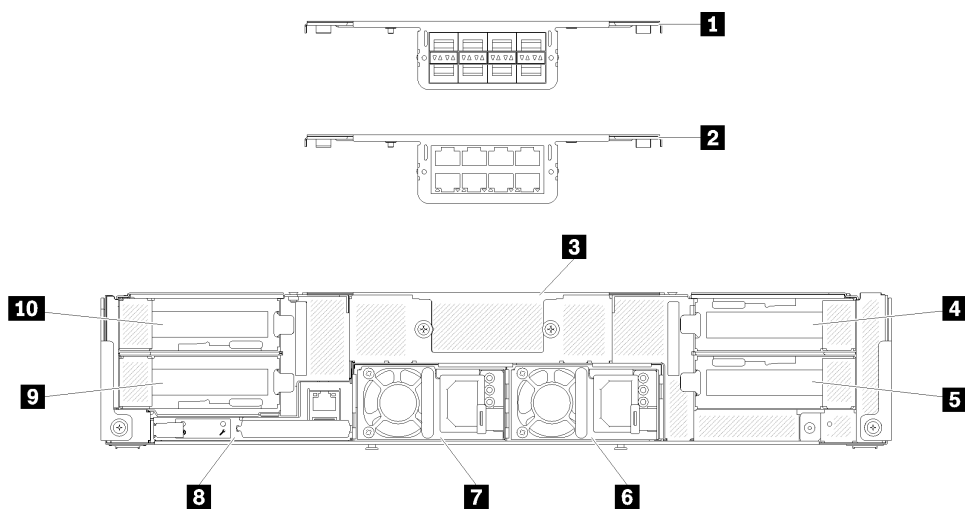


Figure 18. Rear view - The enclosure with x16 shuttle installed

Table 10. Components on x16 shuttle

1 10Gb 8-port EIOM cage (SFP+)	6 Power supply 2
2 10Gb 8-port EIOM cage (RJ45)	7 Power supply 1
3 10Gb 8-port EIOM cage filler	8 System Management Module
4 PCIe slot 3	9 PCIe slot 2
5 PCIe slot 1	10 PCIe slot 4

Note: Make sure the power cord is properly connected to every power supply unit installed.

System Management Module

The following illustration shows the connectors and LEDs on the rear of the System Management Module.

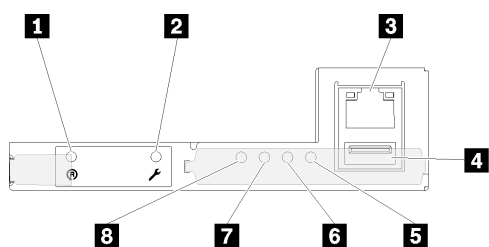


Figure 19. Rear view - System Management Module

Table 11. System Management Module

1 Reset pinhole	5 System error LED (yellow)
2 USB port service mode button	6 Identification LED (blue)
3 System Management Module Ethernet connector	7 Status LED (green)
4 USB connector	8 System power LED (green)

You can access the dedicate XCC network port of four nodes via System Management Module Ethernet connector . Go to System Management Module website and use IP to access XCC. For more details, see *System Management Module User's Guide*.

There are four LEDs on the System Management Module and these LEDs provide the System Management Module operating status.

5 System error LED (yellow): When this LED is lit, it indicates that a system error has occurred. Check the event log for additional information.

6 Identification LED (blue): When this LED is lit, it indicates the System Management Module location.

Use the following commands to control the identification LED and locate the enclosure.

- Turn on:

```
ipmitool.exe -I lanplus -H <SMM's IP> -U USERID -P PASSWORD raw 0x32 0x97 0x01 0x01
```
- Turn off:

```
ipmitool.exe -I lanplus -H <SMM's IP> -U USERID -P PASSWORD raw 0x32 0x97 0x01 0x00
```

Note: The default SMM's IP address is 192.168.70.100

To easily identify the solution from the front side, see “Node operator panel” on page 23 for more information.

7 Status LED (green): This LED indicates the System Management Module operating status.

- Flashing normally: The System Management Module is working normally.
- Flashing slowly:
 - Flashing once every 0.25 second: It indicates the System Management Module firmware is in the pre-boot process.
 - Flashing once every 1 second: It indicates the System Management Module firmware is ready.

8 System power LED (green): When this LED is lit, it indicates that the System Management Module has power.

PCIe 3.0 x16 LEDs

The following illustration shows the LEDs on the rear of PCIe 3.0 x16 shuttle.

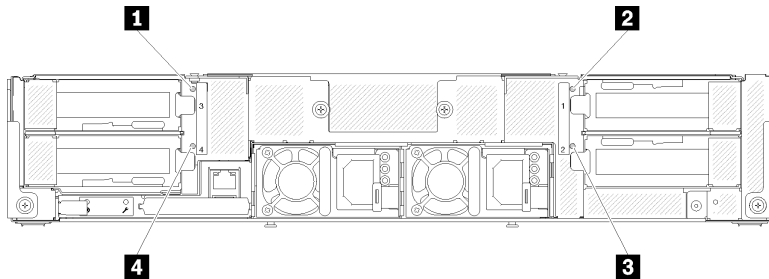


Figure 20. Rear view - PCIe 3.0 x16 LEDs

Table 12. PCIe 3.0 x16 LEDs

1 PCIe slot 4 LED	3 PCIe slot 1 LED
2 PCIe slot 3 LED	4 PCIe slot 2 LED

These four LEDs provide the operating status of PCIe 3.0 x16 adapters.

There are two colors for LEDs you might see:

- **Green:** It indicates the PCIe adapter is working normally.
- **Orange:** It indicates the PCIe adapter is having problems.

System board layout

The illustrations in this section provide information about the connectors and switches that are available on the compute node system board.

System-board internal connectors

The following illustration shows the internal connectors on the system board.

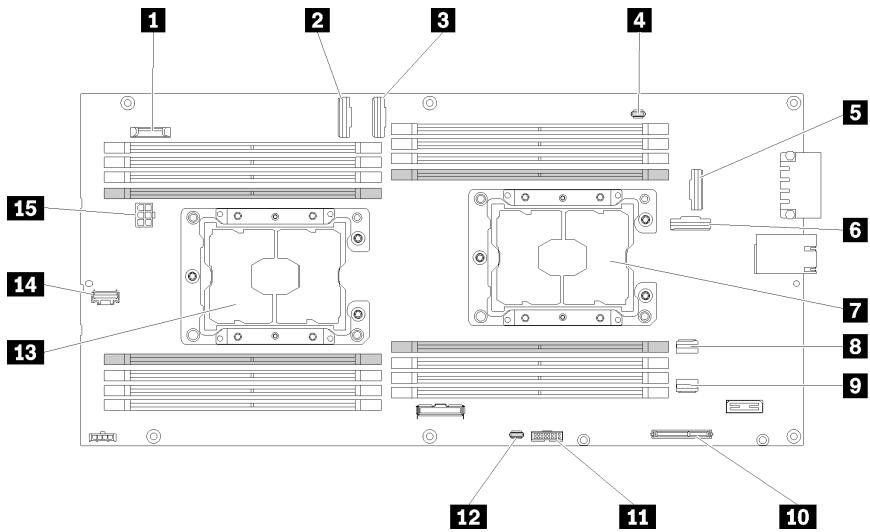


Figure 21. Internal connectors on the system board

Table 13. Internal connectors on the system board

1 CMOS battery (CR2032)	9 SATA 2 connector
2 PCIe slot 3 connector	10 M.2 connector
3 PCIe slot 4 connector	11 Trusted cryptographic module (TCM) connector
4 KVM breakout cable connector	12 KVM breakout module USB connector
5 PCIe slot 1 connector (for RAID adapter)	13 Processor 2
6 PCIe slot 2 connector	14 Backplane MISC signal connector
7 Processor 1	15 Backplane power connector
8 SATA 1 connector	

The following illustration shows the location of the DIMM connectors on the system board.

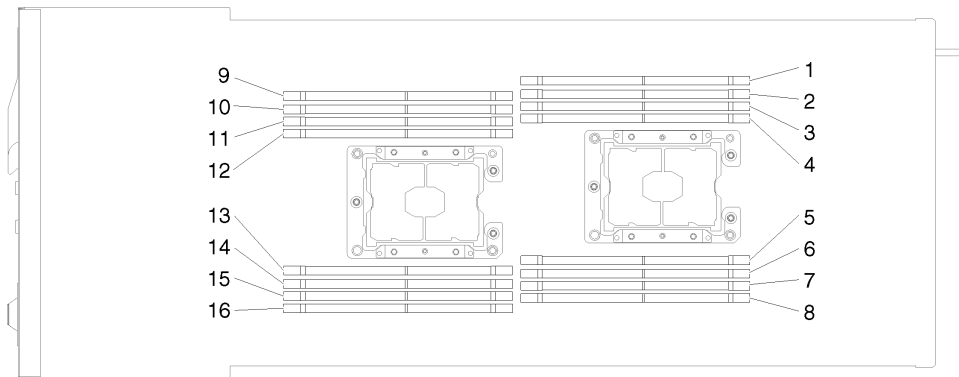


Figure 22. The location of the DIMM connectors on the system board

System-board switches

The following illustration shows the location and description of the switches.

Important:

1. If there is a clear protective sticker on the switch blocks, you must remove and discard it to access the switches.
2. Any system-board switch or jumper block that is not shown in the illustrations in this document are reserved.

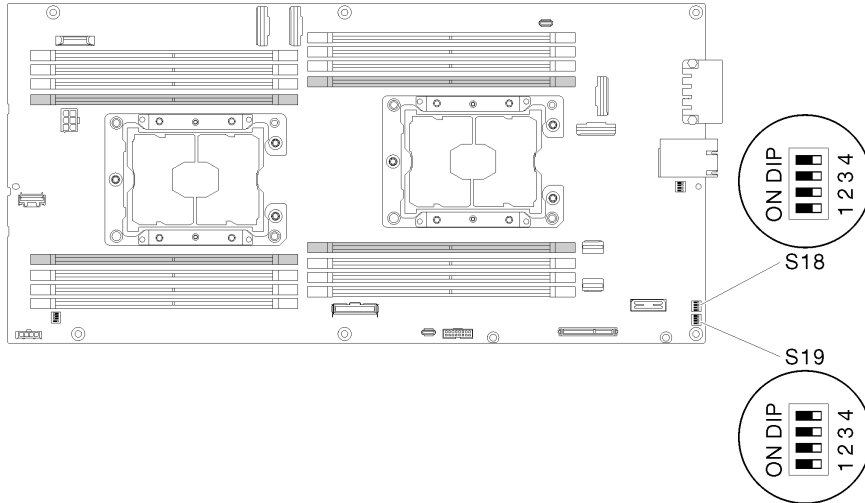


Figure 23. Location of the switches, jumpers, and buttons on the system board

The following table describes the jumpers on the system board.

Table 14. Jumper definition

Switch block	Switch	Switch name	Usage description	
			Open	Close
S18	2	XClarity Controller boot backup	Normal (default)	The compute node will boot by using a backup of the XClarity Controller firmware.
	3	XClarity Controller force update	Normal (default)	Enables XClarity Controller force update
	4	TPM physical presence	Normal (default)	Indicates a physical presence to the system TPM
S19	1	System UEFI backup	Normal (default)	Enables system BIOS backup
	2	Password override jumper	Normal (default)	Overrides the power-on password
	3	CMOS clear jumper	Normal (default)	Clears the real-time clock (RTC) registry

Important:

1. Before you change any switch settings or move any jumpers, turn off the solution; then, disconnect all power cords and external cables. Review the information in http://thinksystem.lenovofiles.com/help/topic/safety_documentation/pdf_files.html, “Installation Guidelines” on page 48, “Handling static-sensitive devices” on page 50, and “Power off the node” on page 100.
2. Any system-board switch or jumper block that is not shown in the illustrations in this document are reserved.

KVM breakout cable

Use this information for details about the KVM breakout cable.

Use the KVM breakout cable to connect external I/O devices to the compute node. The KVM breakout cable connects through the KVM connector (see “System-board internal connectors” on page 27). The KVM breakout cable has connectors for a display device (video), two USB 2.0 connectors for a USB keyboard and mouse, and a serial interface connector.

The following illustration identifies the connectors and components on the KVM breakout cable.

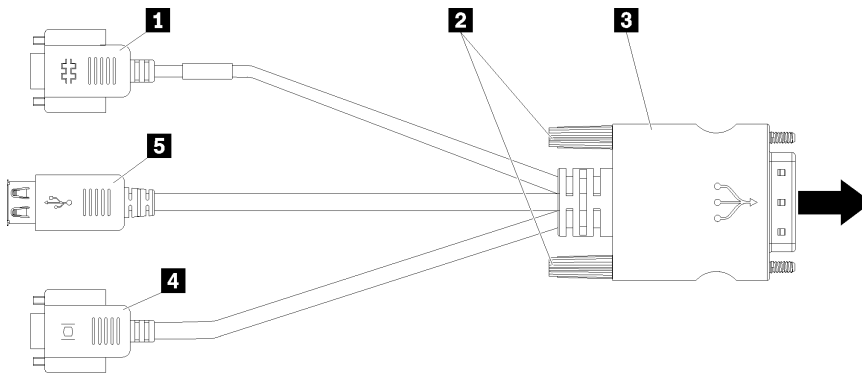


Figure 24. Connectors and components on the KVM breakout cable

Table 15. Connectors and components on the console breakout cable

1 Serial connector	4 Video connector (blue)
2 Captive screws	5 USB 2.0 connectors (2)
3 to KVM connector	

2.5-inch hot-swap drive backplanes

The following illustration shows the respective 2.5-inch hot-swap drive backplanes.

Important: Do not mix nodes with the four-drive backplane and six-drive backplanes in the same enclosure. Mixing the four-drive backplane and six-drive backplanes may cause unbalanced cooling.

- Four 2.5-inch hot-swap SAS/SATA backplane

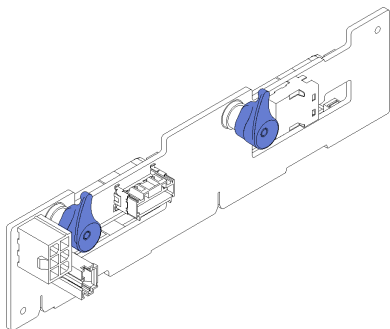


Figure 25. Four 2.5-inch hot-swap SAS/SATA backplane

- Six 2.5-inch hot-swap SAS/SATA backplane

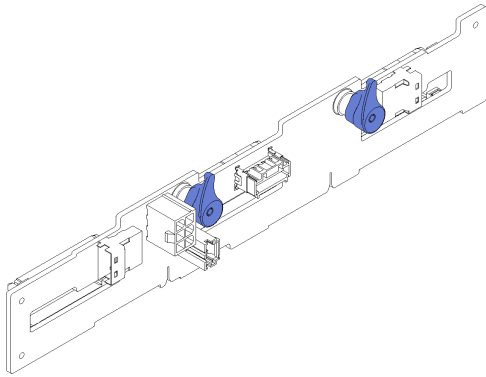


Figure 26. Six 2.5-inch hot-swap SAS/SATA backplane

- Six 2.5-inch hot-swap SAS/SATA/NVMe backplane

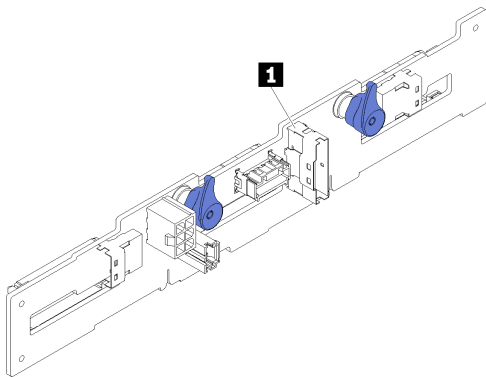


Figure 27. Six 2.5-inch hot-swap SAS/SATA/NVMe backplane

1 NVMe connector

Parts list

Use the parts list to identify each of the components that are available for your solution.

For more information about ordering the parts shown in Figure 28 “Enclosure components” on page 32:

1. Go to <http://datacentersupport.lenovo.com> and navigate to the support page for your server.
2. Click **Service Parts**.
3. Enter the serial number to view a listing of parts for your server.

Note: Depending on the model, your solution might look slightly different from the illustration.

- **Enclosure components**

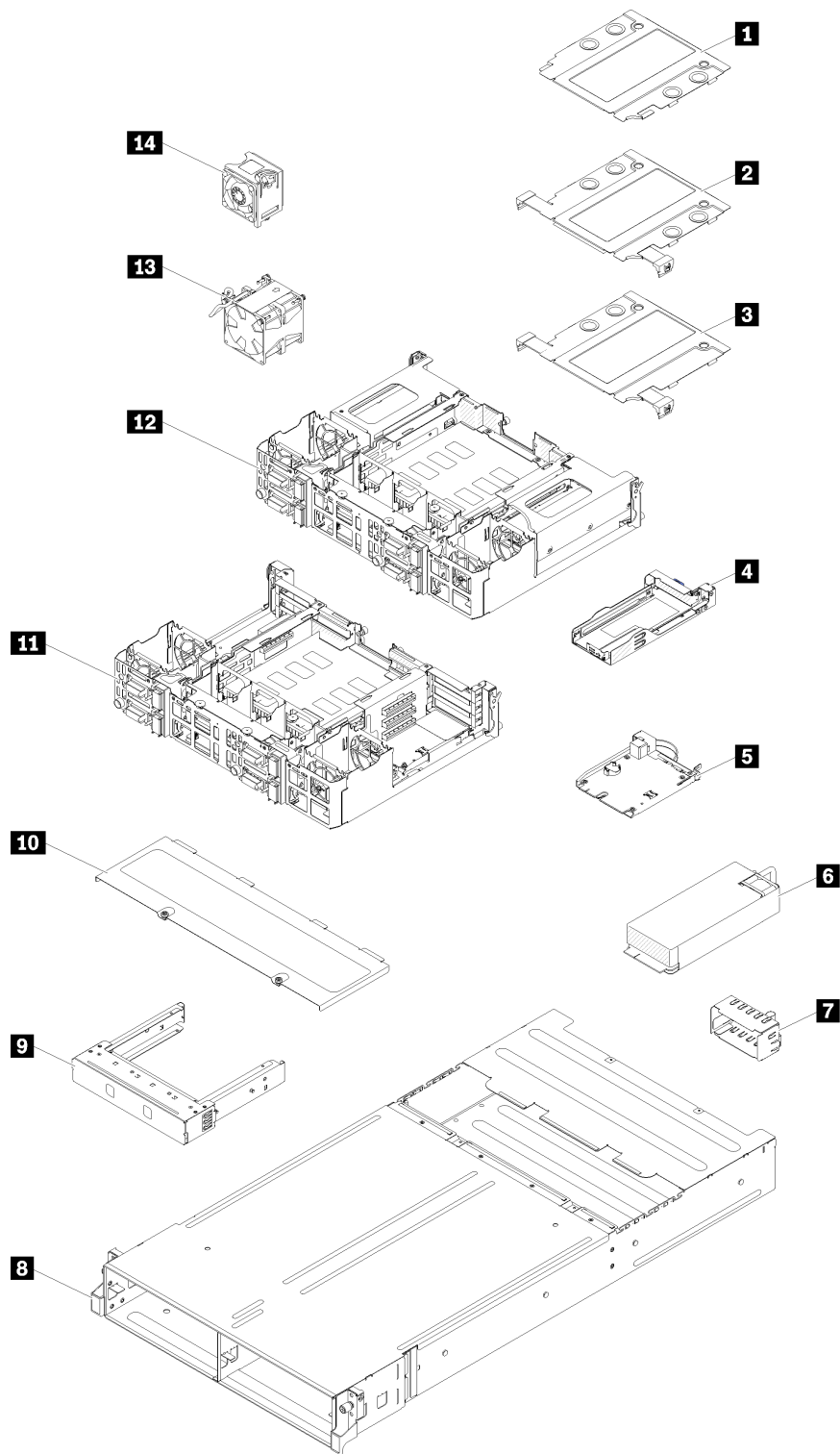


Figure 28. Enclosure components

The parts listed in the following table are identified as one of the following:

- **Tier 1 customer replaceable unit (CRU):** Replacement of Tier 1 CRUs is your responsibility. If Lenovo installs a Tier 1 CRU at your request with no service agreement, you will be charged for the installation.

- **Tier 2 customer replaceable unit:** You may install a Tier 2 CRU yourself or request Lenovo to install it, at no additional charge, under the type of warranty service that is designated for your server.
- **Field replaceable unit (FRU):** FRUs must be installed only by trained service technicians.
- **Consumable and Structural parts:** Purchase and replacement of consumable and structural parts (components, such as a cover or bezel) is your responsibility. If Lenovo acquires or installs a structural component at your request, you will be charged for the service.

Table 16. Parts listing

Index	Description	Tier 1 CRU	Tier 2 CRU	FRU	Consumable and Structural part
<p>For more information about ordering the parts shown in Figure 28 “Enclosure components” on page 32:</p> <ol style="list-style-type: none"> 1. Go to http://datacentersupport.lenovo.com and navigate to the support page for your server. 2. Click Service Parts. 3. Enter the serial number to view a listing of parts for your server. 					
1	10Gb 8-port E10M cage filler				✓
2	10Gb 8-port E10M cage (SFP+)		✓		
3	10Gb 8-port E10M Base-T cage (RJ45)		✓		
4	Cassette				✓
5	System Management Module	✓			
6	Power supply	✓			
7	Power supply filler panel	✓			
8	Enclosure				✓
9	Node filler panel				✓
10	Fan cover				✓
11	PCIe x8 shuttle			✓	
12	PCIe x16 shuttle			✓	
13	80x80x80mm ²			✓	
14	60x60x56mm ²			✓	

- **Node components**

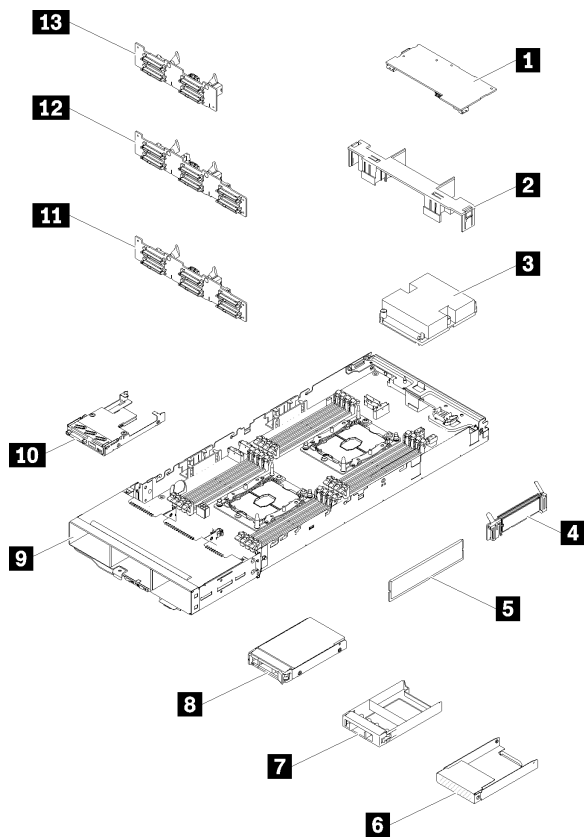


Figure 29. Node components

Table 17. Parts listing

Index	Description	Tier 1 CRU	Tier 2 CRU	FRU	Consumable and Structural part
<p>For more information about ordering the parts shown in Figure 29 “Node components” on page 34:</p> <ol style="list-style-type: none"> 1. Go to http://datacentersupport.lenovo.com and navigate to the support page for your server. 2. Click Service Parts. 3. Enter the serial number to view a listing of parts for your server. 					
1	RAID adapter	√			
2	Air baffle				√
3	Processor and heat sink assembly			√	
4	M.2 backplane	√			
5	DIMM	√			
6	2.5-inch drive bay blank				√
7	2.5-inch drive bay blank panel	√			
8	2.5-inch hot-swap drive	√			
9	Node system			√	

Table 17. Parts listing (continued)

Index	Description	Tier 1 CRU	Tier 2 CRU	FRU	Consumable and Structural part
<p>For more information about ordering the parts shown in Figure 29 “Node components” on page 34:</p> <ol style="list-style-type: none"> 1. Go to http://datacentersupport.lenovo.com and navigate to the support page for your server. 2. Click Service Parts. 3. Enter the serial number to view a listing of parts for your server. 					
10	KVM breakout module	√			
11	2.5-inch 6 drives hot-swap backplane			√	
12	2.5-inch 6 drives hot-swap combo backplane			√	
13	2.5-inch 4 drives hot-swap backplane			√	

Power cords

Several power cords are available, depending on the country and region where the solution is installed.

To view the power cords that are available for the solution:

1. Go to:
<http://lesc.lenovo.com>
2. In the Customize a Model pane:
 - a. Click **Select Options/Parts for a Model**.
 - b. Enter the machine type and model for your solution.
3. Click the Power tab to see all line cords.

Notes:

- For your safety, a power cord with a grounded attachment plug is provided to use with this product. To avoid electrical shock, always use the power cord and plug with a properly grounded outlet.
- Power cords for this product that are used in the United States and Canada are listed by Underwriter's Laboratories (UL) and certified by the Canadian Standards Association (CSA).
- For units intended to be operated at 115 volts: Use a UL-listed and CSA-certified cord set consisting of a minimum 18 AWG, Type SVT or SJT, three-conductor cord, a maximum of 15 feet in length and a parallel blade, grounding-type attachment plug rated 15 amperes, 125 volts.
- For units intended to be operated at 230 volts (U.S. use): Use a UL-listed and CSA-certified cord set consisting of a minimum 18 AWG, Type SVT or SJT, three-conductor cord, a maximum of 15 feet in length and a tandem blade, grounding-type attachment plug rated 15 amperes, 250 volts.
- For units intended to be operated at 230 volts (outside the U.S.): Use a cord set with a grounding-type attachment plug. The cord set should have the appropriate safety approvals for the country in which the equipment will be installed.
- Power cords for a specific country or region are usually available only in that country or region.

Internal cable routing

Some of the components in the node have internal cable connectors.

Note: Disengage all latches, release tabs, or locks on cable connectors when you disconnect cables from the system board. Failing to release them before removing the cables will damage the cable sockets on the system board, which are fragile. Any damage to the cable sockets might require replacing the system board.

Some options, such as RAID adapter and backplanes, might require additional internal cabling. See the documentation that is provided for the option to determine any additional cabling requirements and instructions.

Four 2.5-inch-drive model

Use this section to understand how to route cables for four 2.5-inch-drive model.

Four 2.5-inch-drive model

- Four 2.5-inch hot-swap SAS/SATA backplane

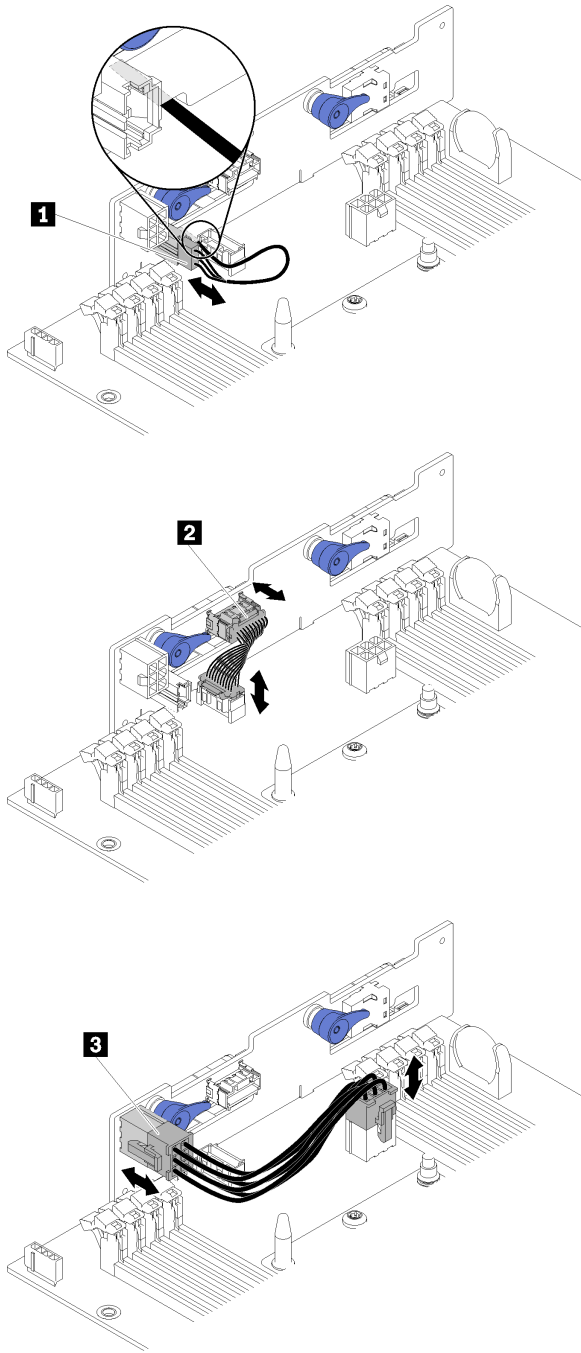


Figure 30. Four 2.5-inch hot-swap SAS/SATA backplane

Table 18. Components on the four 2.5-inch hot-swap SAS/SATA backplane

1 Ambient sensor cable	3 Backplane power cable
2 MISC signal cable	

- Four 2.5-inch drive cable routing

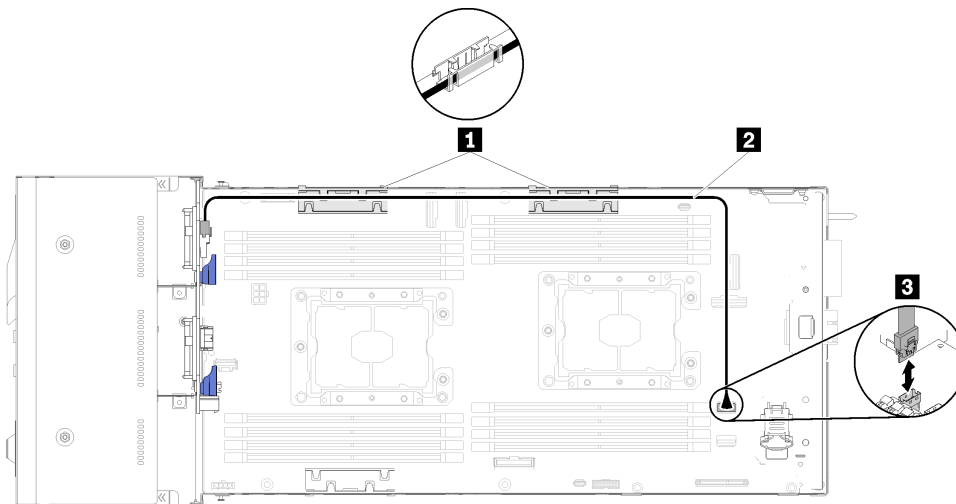


Figure 31. Four 2.5-inch drive cable routing

Table 19. Components on the four 2.5-inch drive cable routing

1 Internal cable management baskets	3 SATA 1 connectr
2 SAS/SATA cable	

- Four 2.5-inch drive with hardware RAID cable routing

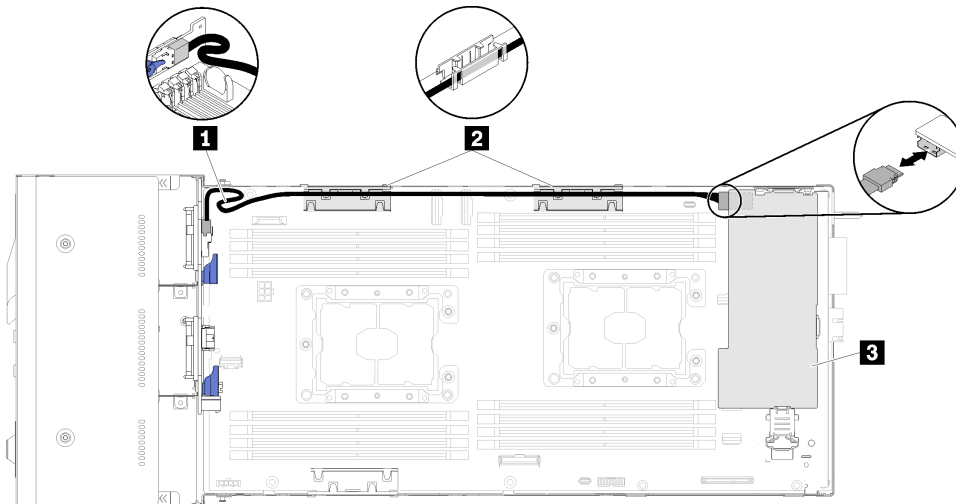


Figure 32. Four 2.5-inch drive with hardware RAID cable routing

Table 20. Components on the four 2.5-inch drive with hardware RAID cable routing

1 SAS/SATA cable	3 RAID adapter
2 Internal cable management baskets	

Six 2.5-inch-drive model

Use this section to understand how to route cables for six 2.5-inch-drive model.

Six 2.5-inch-drive model

- Six 2.5-inch hot-swap SAS/SATA backplane

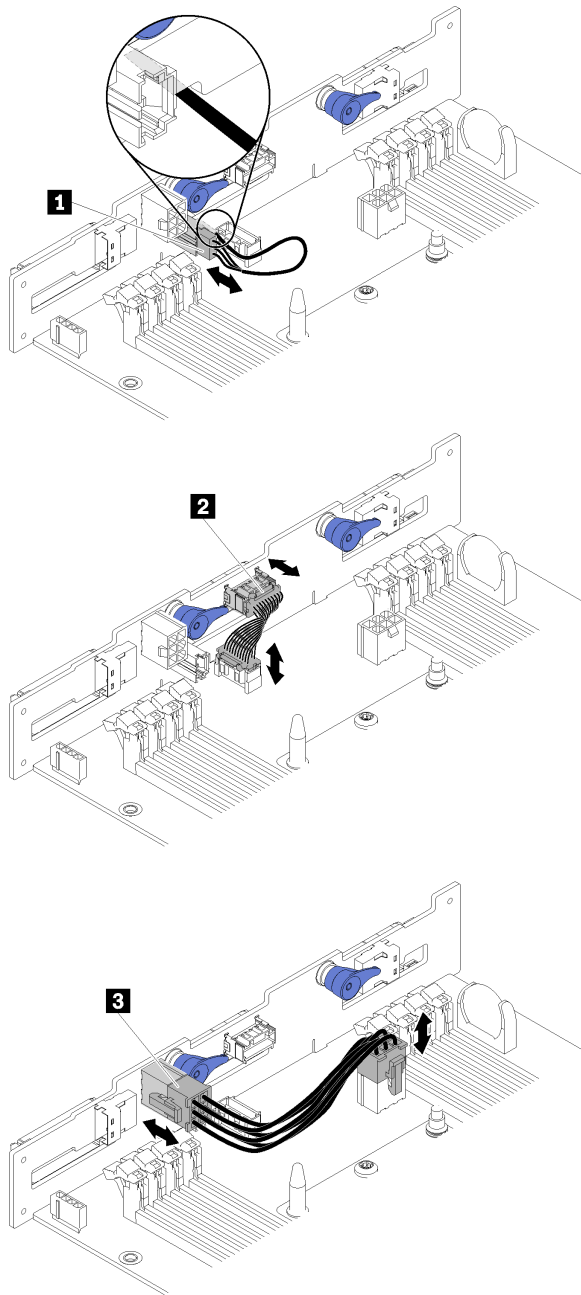


Figure 33. Six 2.5-inch hot-swap SAS/SATA backplane

Table 21. Components on the six 2.5-inch hot-swap SAS/SATA backplane

1 Ambient sensor cable	3 Backplane power cable
2 MISC signal cable	

- Six 2.5-inch drive cable routing

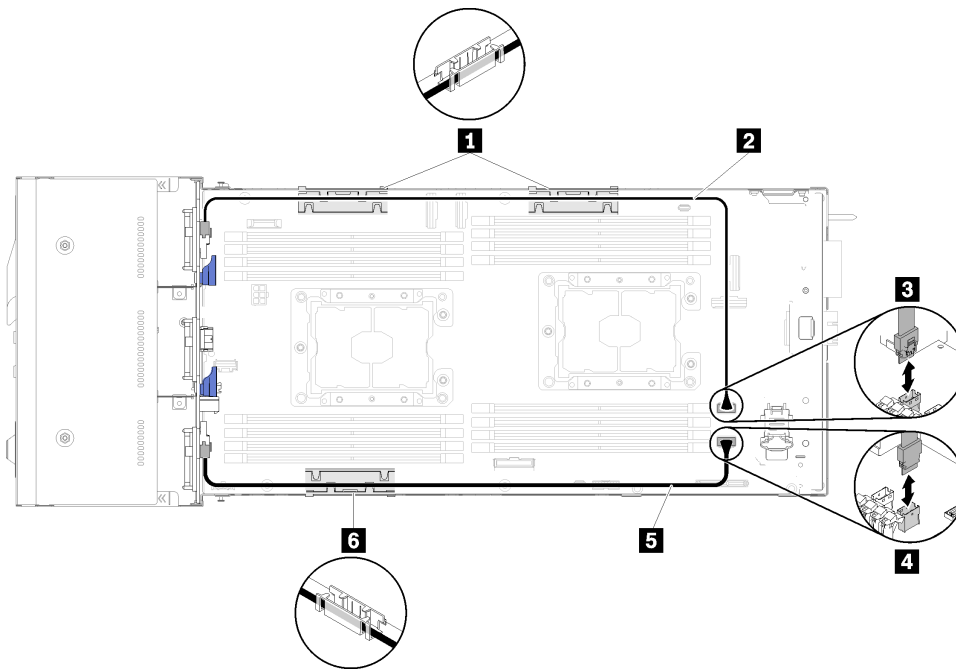


Figure 34. Six 2.5-inch drive cable routing

Table 22. Components on the six 2.5-inch drive cable routing

1 6 Internal cable management basket	3 SATA 1 connector
2 5 SAS/SATA cable	4 SATA 2 connector

- Six 2.5-inch drive with hardware RAID cable routing

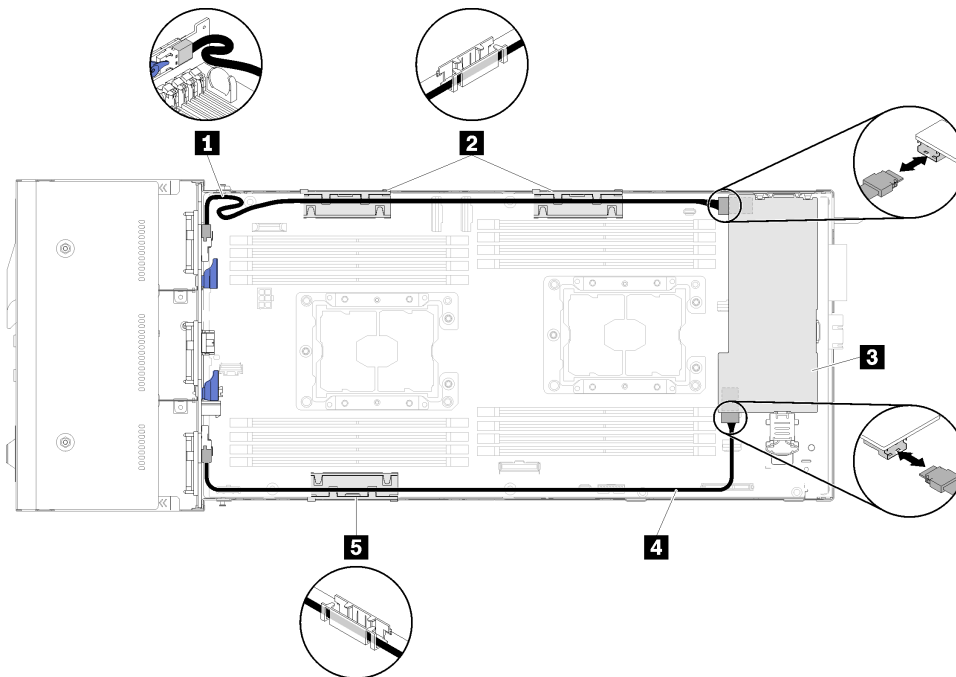


Figure 35. Six 2.5-inch drive with hardware RAID cable routing

Note: Route the **1 4** SAS/SATA cable as shown in the illustration to avoid cable slack.

Table 23. Components on the six 2.5-inch drive with hardware RAID cable routing

1 4 SAS/SATA cable	3 RAID adapter
2 5 Internal cable management basket	

Six 2.5-inch-drive model (NVMe supported)

Use this section to understand how to route cables for Six 2.5-inch-drive model (NVMe supported).

Six 2.5-inch-drive model (NVMe supported)

- Six 2.5-inch hot-swap SAS/SATA/NVMe backplane

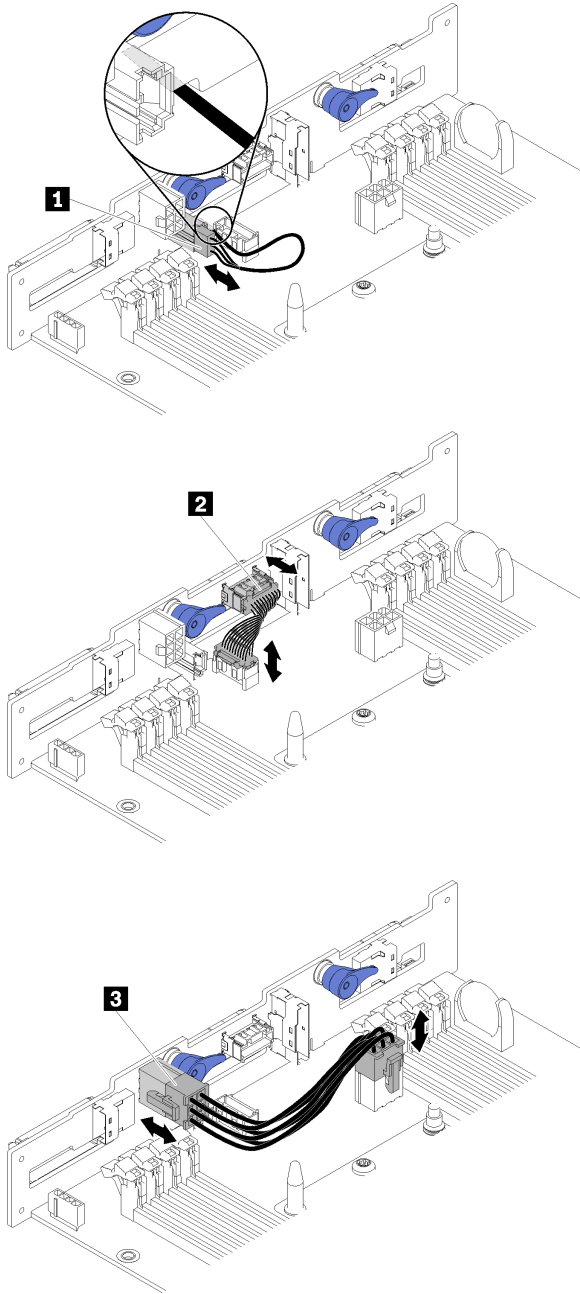


Figure 36. Six 2.5-inch hot-swap SAS/SATA/NVMe backplane

Table 24. Components on the six 2.5-inch hot-swap SAS/SATA/NVMe backplane

1 Ambient sensor cable	3 Backplane power cable
2 MISC signal cable	

- Six 2.5-inch drive cable routing (NVMe supported)

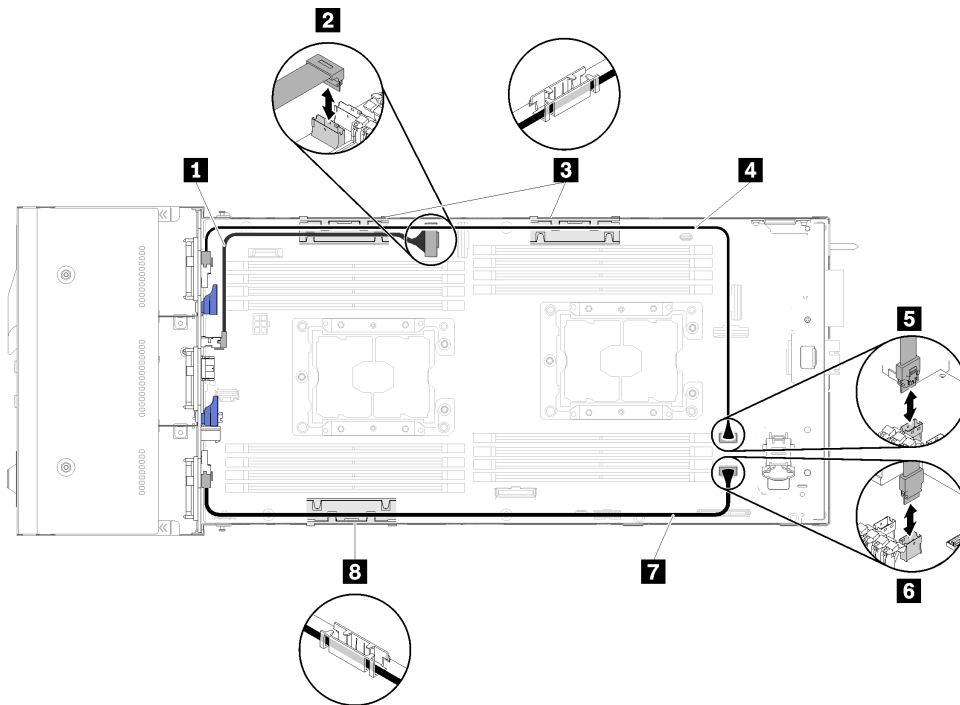


Figure 37. Six 2.5-inch drive cable routing (NVMe supported)

Table 25. Components on the six 2.5-inch drive cable routing (NVMe supported)

1 NVMe cable	4 7 SAS/SATA cable
2 PCIe slot 3 connector	5 SATA 1 connector
3 8 Internal cable management basket	6 SATA 2 connector

- Six 2.5-inch drive (NVMe supported) with hardware RAID cable routing

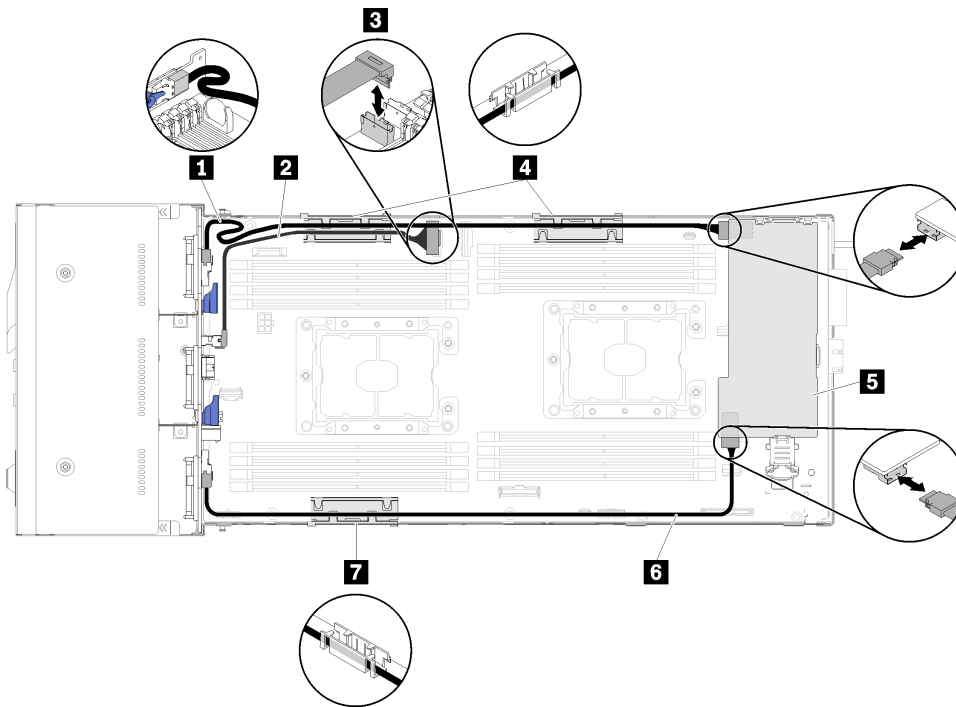


Figure 38. Six 2.5-inch drive (NVMe supported) with hardware RAID cable routing

Note: Route the **1** SAS/SATA cable as shown in the illustration to avoid cable slack.

Table 26. Components on six 2.5-inch drive with hardware RAID cable routing

1 6 SAS/SATA cable	4 7 Internal cable management basket
2 NVMe cable	5 RAID adapter
3 PCIe slot 3 connector	

KVM breakout module

Use this section to understand how to route cables for your KVM breakout module.

- The right KVM breakout module (for four 2.5-inch-drive model)

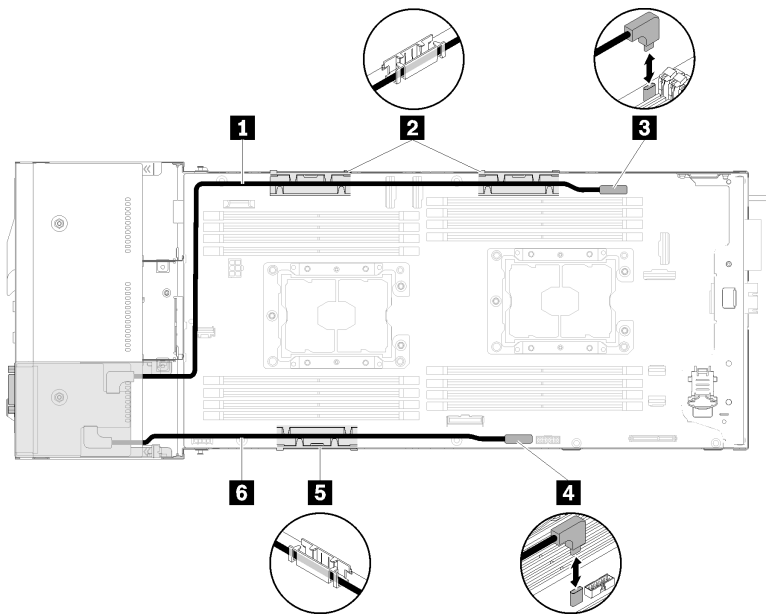


Figure 39. KVM breakout module installed in drive bay 4

Table 27. Components on the KVM breakout module installed in drive bay 4

1 Long signal cable	3 KVM breakout cable connector
2 5 Internal cable management basket	4 USB connector
6 Short signal cable	

- The left KVM breakout module (for six 2.5-inch-drive model)

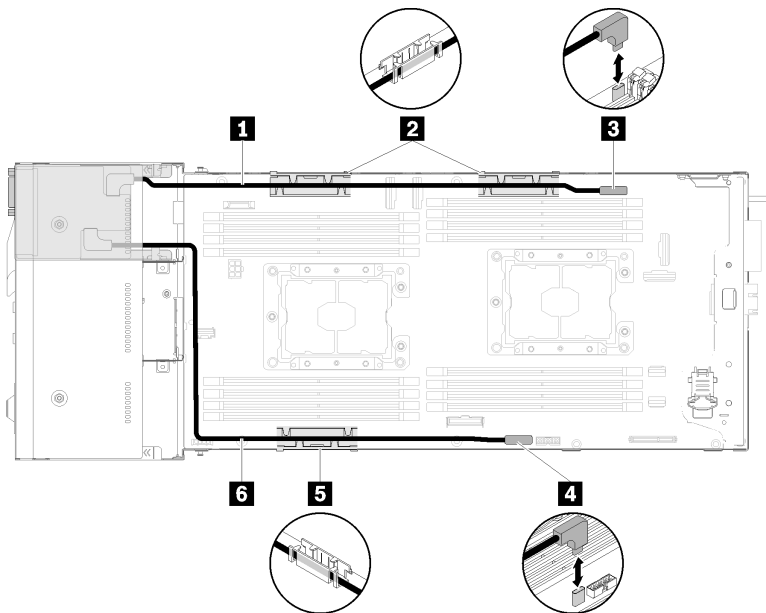


Figure 40. KVM breakout module installed in drive bay 0

Table 28. Components on the KVM breakout module installed in drive bay 0

1 Short signal cable	3 KVM breakout cable connector
2 5 Internal cable management basket	4 USB connector
6 Long signal cable	

Chapter 3. Solution hardware setup

To set up the solution, install any options that have been purchased, cable the solution, configure and update the firmware, and install the operating system.

Solution setup checklist

Use the solution setup checklist to ensure that you have performed all tasks that are required to set up your solution.

The solution setup procedure varies depending on the configuration of the solution when it was delivered. In some cases, the solution is fully configured and you just need to connect the solution to the network and an ac power source, and then you can power on the solution. In other cases, the solution needs to have hardware options installed, requires hardware and firmware configuration, and requires an operating system to be installed.

The following steps describe the general procedure for setting up a solution:

1. Unpack the solution package. See “Solution package contents” on page 3.
2. Set up the solution hardware.
 - a. Install any required hardware or solution options. See the related topics in “Install solution hardware options” on page 50.
 - b. If necessary, install the solution into a standard rack cabinet by using the rail kit shipped with the solution. See the *Rack Installation Instructions* that comes with optional rail kit.
 - c. Connect the Ethernet cables and power cords to the solution. See “Rear view” on page 24 to locate the connectors. See “Cable the solution” on page 100 for cabling best practices.
 - d. Power on the solution. See “Power on the node” on page 100.

Note: You can access the management processor interface to configure the system without powering on the solution. Whenever the solution is connected to power, the management processor interface is available. For details about accessing the management node processor, see:

http://sysmgt.lenovofiles.com/help/topic/com.lenovo.systems.management.xcc.doc/dw1lm_c_chapter2_openingandusing.html

- e. Validate that the solution hardware was set up successfully. See “Validate solution setup” on page 100.
3. Configure the system.
 - a. Connect the Lenovo XClarity Controller to the management network. See “Set the network connection for the Lenovo XClarity Controller” on page 101.
 - b. Update the firmware for the solution, if necessary. See “Update the firmware” on page 102.
 - c. Configure the firmware for the solution. See “Configure the firmware” on page 104.

The following information is available for RAID configuration:

 - <https://lenovopress.com/lp0578-lenovo-raid-introduction>
 - <https://lenovopress.com/lp0579-lenovo-raid-management-tools-and-resources>
 - d. Install the operating system. See “Install the operating system” on page 106.
 - e. Back up the solution configuration. See “Back up the solution configuration” on page 106.
 - f. Install the applications and programs for which the solution is intended to be used.

Installation Guidelines

Use the installation guidelines to install components in your solution.

Before installing optional devices, read the following notices carefully:

Attention: Prevent exposure to static electricity, which might lead to system halt and loss of data, by keeping static-sensitive components in their static-protective packages until installation, and handling these devices with an electrostatic-discharge wrist strap or other grounding system.

- Read the safety information and guidelines to ensure that you work safely.
 - A complete list of safety information for all products is available at:
http://thinksystem.lenovofiles.com/help/topic/safety_documentation/pdf_files.html
 - The following guidelines are available as well: “Handling static-sensitive devices” on page 50 and “Working inside the solution with the power on” on page 49.
- Make sure the components you are installing are supported by the solution. For a list of supported optional components for the solution, see <http://www.lenovo.com/serverproven/>.
- When you install a new solution, download and apply the latest firmware. This will help ensure that any known issues are addressed, and that your solution is ready to work with optimal performance. Go to ThinkSystem D2 Enclosure and ThinkSystem SD530 Compute Node Drivers and Software to download firmware updates for your solution.

Important: Some cluster solutions require specific code levels or coordinated code updates. If the component is part of a cluster solution, verify that the latest level of code is supported for the cluster solution before you update the code.

- It is good practice to make sure that the solution is working correctly before you install an optional component.
- Keep the working area clean, and place removed components on a flat and smooth surface that does not shake or tilt.
- Do not attempt to lift an object that might be too heavy for you. If you have to lift a heavy object, read the following precautions carefully:
 - Make sure that you can stand steadily without slipping.
 - Distribute the weight of the object equally between your feet.
 - Use a slow lifting force. Never move suddenly or twist when you lift a heavy object.
 - To avoid straining the muscles in your back, lift by standing or by pushing up with your leg muscles.
- Make sure that you have an adequate number of properly grounded electrical outlets for the solution, monitor, and other devices.
- Back up all important data before you make changes related to the disk drives.
- Have a small flat-blade screwdriver, a small Phillips screwdriver, and a T8 torx screwdriver available.
- To view the error LEDs on the system board and internal components, leave the power on.
- You do not have to turn off the solution to remove or install hot-swap power supplies, hot-swap fans, or hot-plug USB devices. However, you must turn off the solution before you perform any steps that involve removing or installing adapter cables, and you must disconnect the power source from the solution before you perform any steps that involve removing or installing a riser card.
- Blue on a component indicates touch points, where you can grip to remove a component from or install it in the solution, open or close a latch, and so on.
- Orange on a component or an orange label on or near a component indicates that the component can be hot-swapped if the solution and operating system support hot-swap capability, which means that you can

remove or install the component while the solution is still running. (Orange can also indicate touch points on hot-swap components.) See the instructions for removing or installing a specific hot-swap component for any additional procedures that you might have to perform before you remove or install the component.

- The Red strip on the drives, adjacent to the release latch, indicates that the drive can be hot-swapped if the solution and operating system support hot-swap capability. This means that you can remove or install the drive while the solution is still running.

Note: See the system specific instructions for removing or installing a hot-swap drive for any additional procedures that you might need to perform before you remove or install the drive.

- After finishing working on the solution, make sure you reinstall all safety shields, guards, labels, and ground wires.

System reliability guidelines

Review the system reliability guidelines to ensure proper system cooling and reliability.

Make sure the following requirements are met:

- When the server comes with redundant power, a power supply must be installed in each power-supply bay.
- Adequate space around the server must be spared to allow server cooling system to work properly. Leave approximately 50 mm (2.0 in.) of open space around the front and rear of the server. Do not place any object in front of the fans.
- For proper cooling and airflow, refit the server cover before you turn the power on. Do not operate the server for more than 30 minutes with the server cover removed, for it might damage server components.
- Cabling instructions that come with optional components must be followed.
- A failed fan must be replaced within 48 hours since malfunction.
- A removed hot-swap fan must be replaced within 30 seconds after removal.
- A removed hot-swap drive must be replaced within two minutes after removal.
- A removed hot-swap power supply must be replaced within two minutes after removal.
- Every air baffle that comes with the server must be installed when the server starts (some servers might come with more than one air baffle). Operating the server with a missing air baffle might damage the processor.
- All processor sockets must contain either a socket cover or a processor with heat sink.
- When more than one processor is installed, fan population rules for each server must be strictly followed.
- Do not operate the enclosure without the SMM assembly installed. Operating the solution without the SMM assembly might cause the system to fail. Replace the System Management Module (SMM) assembly as soon as possible after removal to ensure proper operation of the system.

Working inside the solution with the power on

Guidelines to work inside the solution with the power on.

Attention: The solution might stop and loss of data might occur when internal solution components are exposed to static electricity. To avoid this potential problem, always use an electrostatic-discharge wrist strap or other grounding systems when working inside the solution with the power on.

- Avoid loose-fitting clothing, particularly around your forearms. Button or roll up long sleeves before working inside the solution.
- Prevent your necktie, scarf, badge rope, or long hair from dangling into the solution.
- Remove jewelry, such as bracelets, necklaces, rings, cuff links, and wrist watches.

- Remove items from your shirt pocket, such as pens and pencils, in case they fall into the solution as you lean over it.
- Avoid dropping any metallic objects, such as paper clips, hairpins, and screws, into the solution.

Handling static-sensitive devices

Use this information to handle static-sensitive devices.

Attention: Prevent exposure to static electricity, which might lead to system halt and loss of data, by keeping static-sensitive components in their static-protective packages until installation, and handling these devices with an electrostatic-discharge wrist strap or other grounding system.

- Limit your movement to prevent building up static electricity around you.
- Take additional care when handling devices during cold weather, for heating would reduce indoor humidity and increase static electricity.
- Always use an electrostatic-discharge wrist strap or other grounding system, particularly when working inside the solution with the power on.
- While the device is still in its static-protective package, touch it to an unpainted metal surface on the outside of the solution for at least two seconds. This drains static electricity from the package and from your body.
- Remove the device from the package and install it directly into the solution without putting it down. If it is necessary to put the device down, put it back into the static-protective package. Never place the device on the solution or on any metal surface.
- When handling a device, carefully hold it by the edges or the frame.
- Do not touch solder joints, pins, or exposed circuitry.
- Keep the device from others' reach to prevent possible damages.

Install solution hardware options

This section includes instructions for performing initial installation of optional hardware. Each component installation procedure references any tasks that need to be performed to gain access to the component being replaced.

Installation procedures are presented in the optimum sequence to minimize work.

Attention: To ensure the components you install work correctly without problems, read the following precautions carefully.

- Make sure the components you are installing are supported by the solution. For a list of supported optional components for the solution, see <http://www.lenovo.com/serverproven/>.
- Always download and apply the latest firmware. This will help ensure that any known issues are addressed, and that your solution is ready to work with optimal performance. Go to ThinkSystem D2 Enclosure and ThinkSystem SD530 Compute Node Drivers and Software to download firmware updates for your solution.
- It is good practice to make sure that the solution is working correctly before you install an optional component.
- Follow the installation procedures in this section and use appropriate tools. Incorrectly installed components can cause system failure from damaged pins, damaged connectors, loose cabling, or loose components.

Install hardware options in the enclosure

Use the following information to remove and install the enclosure options.

Remove the shuttle

Use this information to remove the shuttle.

Before you remove the shuttle:

1. Read the following section(s) to ensure that you work safely.
 - “Installation Guidelines” on page 48
2. Turn off all compute nodes and peripheral devices (See “Power off the node” on page 100).
3. Disengage all compute nodes from the enclosure.
4. Disconnect the power cords and all external cables from the rear of the enclosure.

Attention: Be careful when you are removing or installing the shuttle to avoid damaging the shuttle connectors.

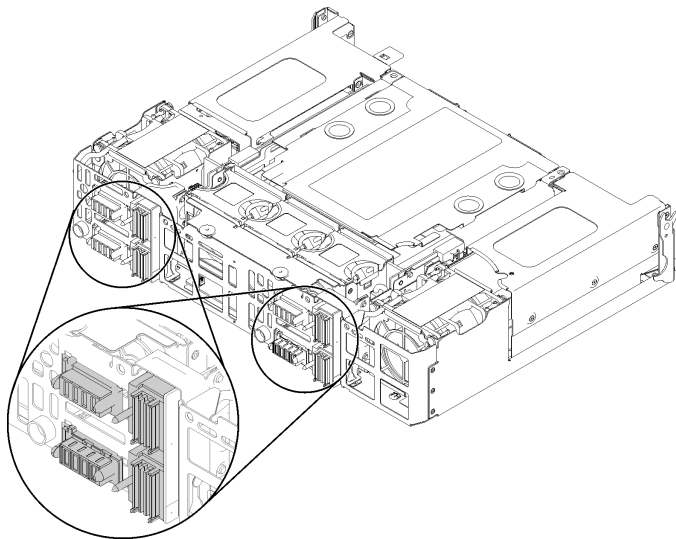


Figure 41. Shuttle connectors

Complete the following steps to remove the shuttle.

Watch the procedure. A video of the installation process is available:

- Youtube: <https://www.youtube.com/playlist?list=PLYV5R7hVcs-DOlbsCdADcoKQdMB2Uuk-T>
- Youku: http://list.youku.com/albumlist/show/id_50483438

Step 1. Turn the two thumbscrews counterclockwise and lift the handles up.

Step 2. Pull the handles and slide the half of the shuttle out of the chassis.

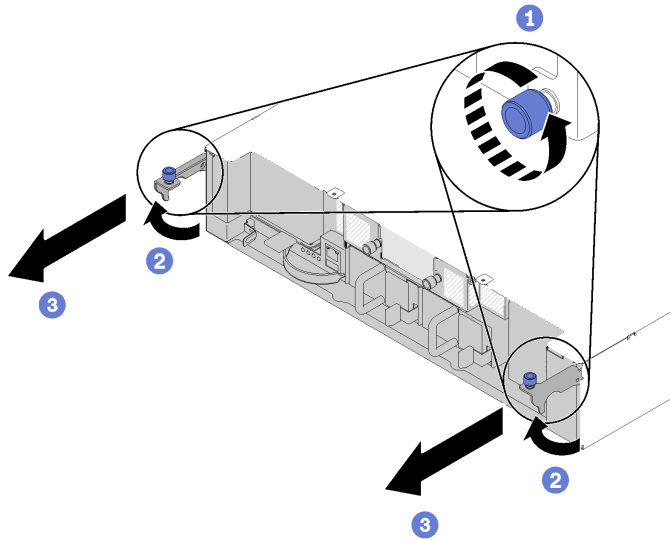


Figure 42. Shuttle removal

Step 3. Push two release latches and slide the whole shuttle out of the chassis.

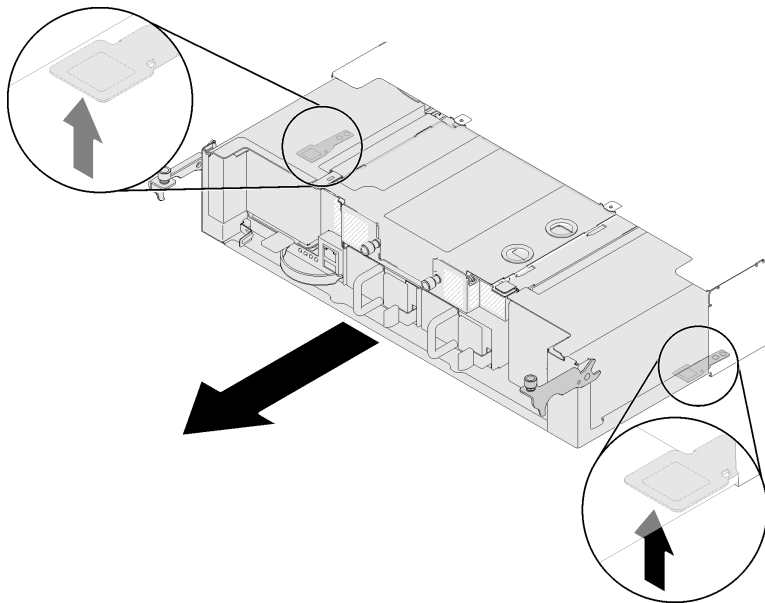


Figure 43. Shuttle removal

Attention: To prevent any damage to the shuttle connectors, make sure that you hold the shuttle properly to put it down as illustrated.

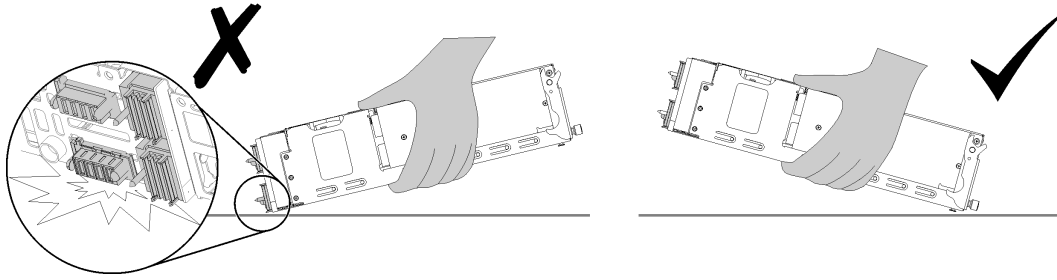


Figure 44. Shuttle connectors

If you are instructed to return the component or optional device, follow all packaging instructions, and use any packaging materials for shipping that are supplied to you.

Remove the EIOM card

Use this information to remove the EIOM card.

Before you remove the EIOM card:

1. Read the following section(s) to ensure that you work safely.
 - “Installation Guidelines” on page 48
2. Turn off all compute nodes and peripheral devices (See “Power off the node” on page 100).
3. Disengage all compute nodes from the enclosure.
4. Disconnect the power cords and all external cables from the rear of the enclosure.
5. Remove the shuttle (see “Remove the shuttle” on page 51) and place it on the stable work surface.

Complete the following steps to remove the EIOM card.

Watch the procedure. A video of the installation process is available:

- Youtube: <https://www.youtube.com/playlist?list=PLYV5R7hVcs-DOlbsCdADcoKQdMB2Uuk-T>
- Youku: http://list.youku.com/albumlist/show/id_50483438
- For 10GbE cage (SFP+) model

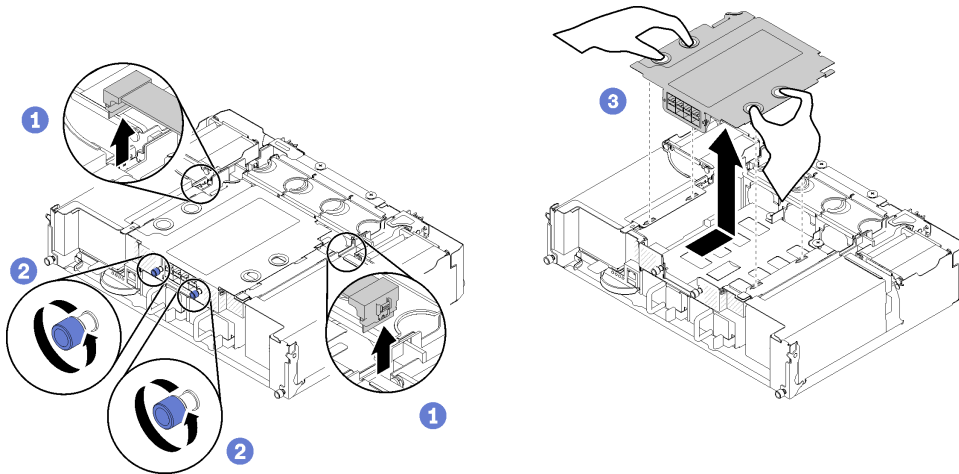


Figure 45. EIOM card removal

- For 10GBASE-T cage (RJ-45) model

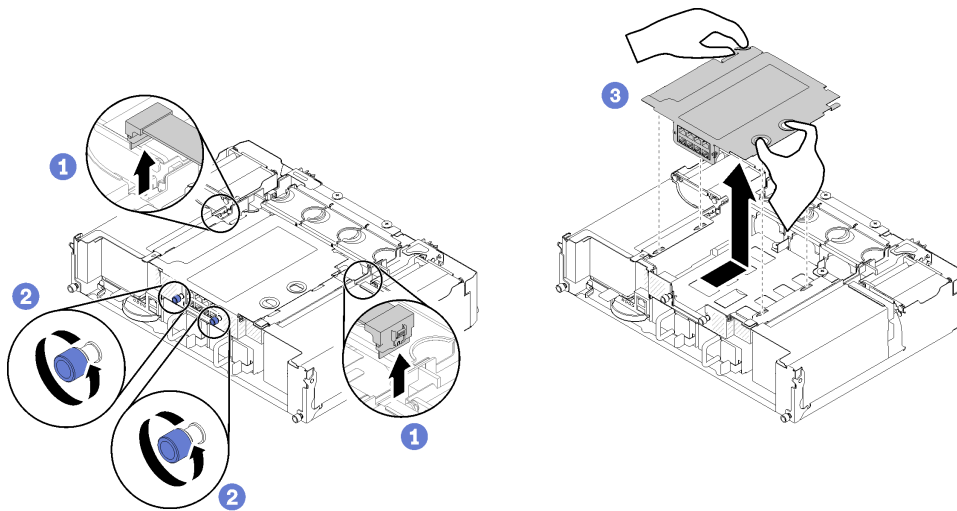


Figure 46. EIOM card removal

- For EIOM filler

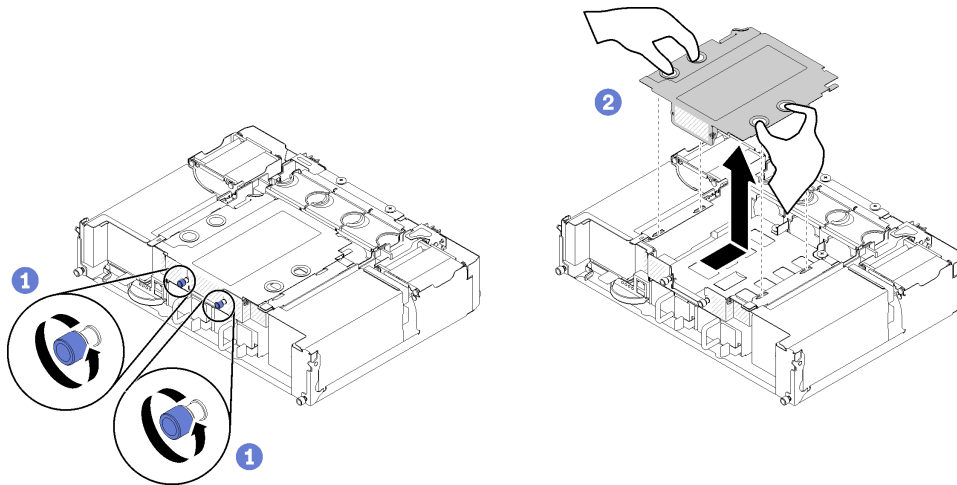


Figure 47. EIOM filler removal

Step 1. Disconnect two cables from the EIOM card. (Skip this step for the EIOM filler)

Note: Make sure you push the release latch only when disconnecting the signal cable.

Step 2. Turn the thumbscrews counterclockwise.

Step 3. Grasp and push the EIOM card slightly towards the front side of the shuttle.

Step 4. Lift the EIOM card up to remove the EIOM card from the shuttle.

If you are instructed to return the component or optional device, follow all packaging instructions, and use any packaging materials for shipping that are supplied to you.

Remove the System Management Module (SMM) assembly

Use this information to remove the System Management Module (SMM) assembly.

Before you remove the System Management Module (SMM) assembly:

1. Read the following section(s) to ensure that you work safely.
 - “Installation Guidelines” on page 48
2. If you want to migrate current chassis settings and the chassis PDM VPD onto the new SMM, make sure you have done the following:
 - a. You had performed SMM setting backup, the chassis VPD backup, and the PDM VPD back up procedures (see *System Management Module User's Guide*).
 - b. Use a FAT32 formatted USB flash drive with at least 1GB empty space to backup SMM settings from the SMM assembly and install it onto the new SMM assembly for settings restore.

Complete the following steps to remove the SMM assembly.

Watch the procedure. A video of the installation process is available:

- Youtube: <https://www.youtube.com/playlist?list=PLYV5R7hVcs-DOlbsCdADcoKQdMB2Uuk-T>
- Youku: http://list.youku.com/albumlist/show/id_50483438

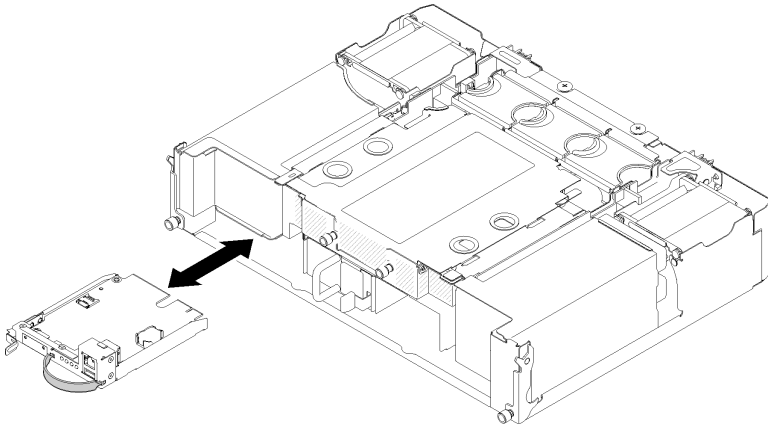


Figure 48. SMM removal

Step 1. Pull the release latch and hook the rope by fingers; then, slide the SMM assembly out of the shuttle.

If you are instructed to return the component or optional device, follow all packaging instructions, and use any packaging materials for shipping that are supplied to you.

Install the cable management arm

Use this procedure to install the cable management arm.

Before you install the cable management arm:

1. Read the following section(s) to ensure that you work safely.
 - “Installation Guidelines” on page 48
2. Make sure the enclosure is pushed fully into the rack and the thumbscrews are tightened.

Complete the following steps to install the cable management arm.

Watch the procedure. A video of the installation process is available:

- Youtube: <https://www.youtube.com/playlist?list=PLYV5R7hVcs-DOlbsCdADcoKQdMB2Uuk-T>
- Youku: http://list.youku.com/albumlist/show/id_50483438

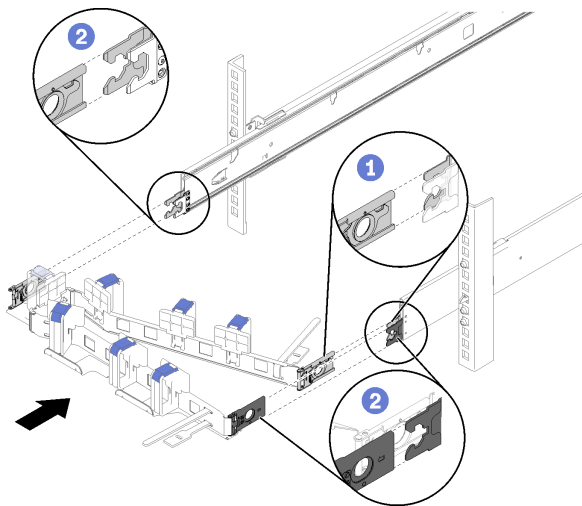


Figure 49. Cable management arm installation

Step 1. Align the inner mounting clip with the inner tab on the slide, then, push it until it snaps into place.

Step 2. Align two outer mounting clips with the outer tabs on the slides; then, push them until they snap into place.

Install the EIOM card

Use this information to install the EIOM card.

Before you install the EIOM card:

1. Read the following section(s) to ensure that you work safely.
 - “Installation Guidelines” on page 48
2. Turn off the server and peripheral devices and disconnect the power cords and all external cables (see “Power off the node” on page 100).
3. Disengage all compute nodes from the enclosure.
4. Remove the shuttle (see “Remove the shuttle” on page 51) and place it on the stable work surface.

Note: The minimum networking speed requirement for the EIOM card is 1Gbps.

Complete the following steps to install the EIOM card.

Watch the procedure. A video of the installation process is available:

- Youtube: <https://www.youtube.com/playlist?list=PLYV5R7hVcs-DOlbsCdADcoKQdMB2Uuk-T>
- Youku: http://list.youku.com/albumlist/show/id_50483438

Step 1. Grasp the EIOM card and align the four EIOM card tabs with the slots in the shuttle; then, lower the EIOM card into the slots.

- For 10GbE cage (SFP+) model

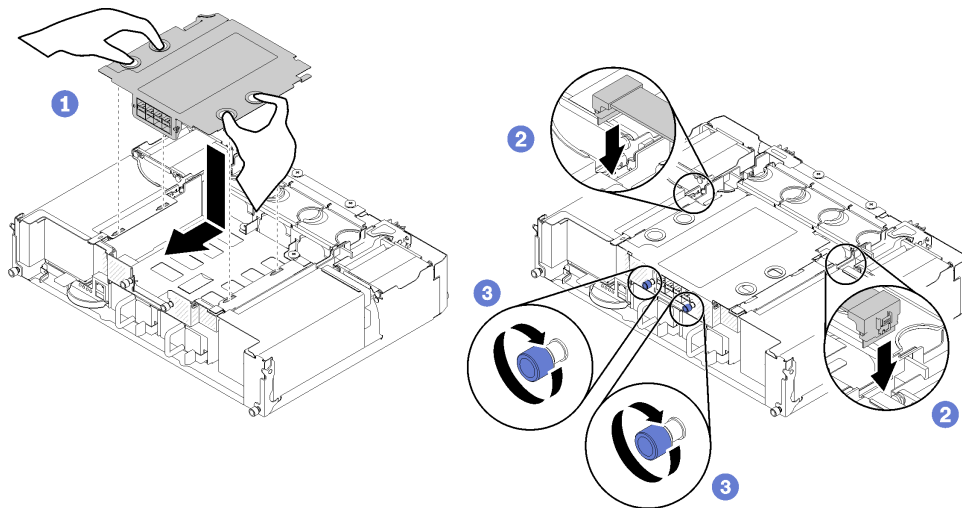


Figure 50. EDOM card installation

- For 10GBASE-T cage (RJ-45) model

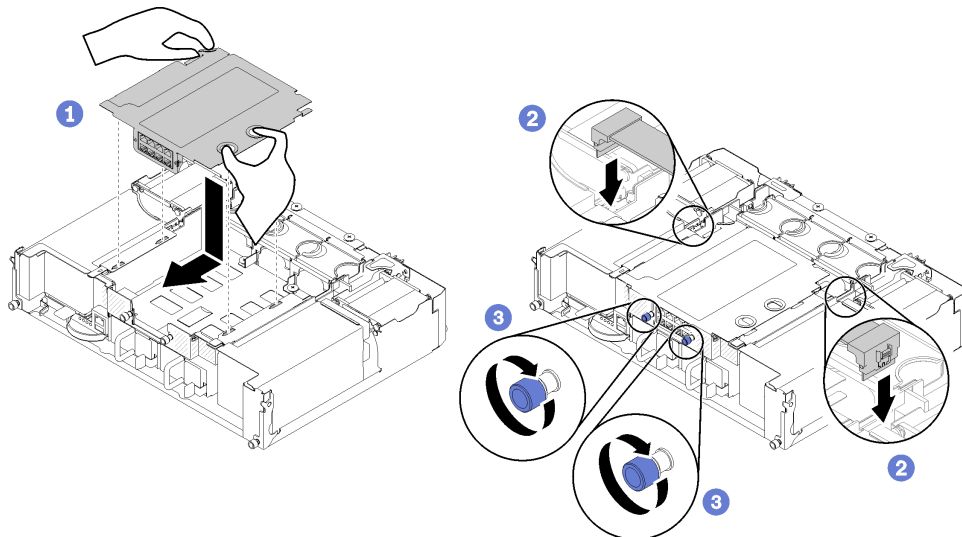


Figure 51. EDOM card installation

- For EDOM filler

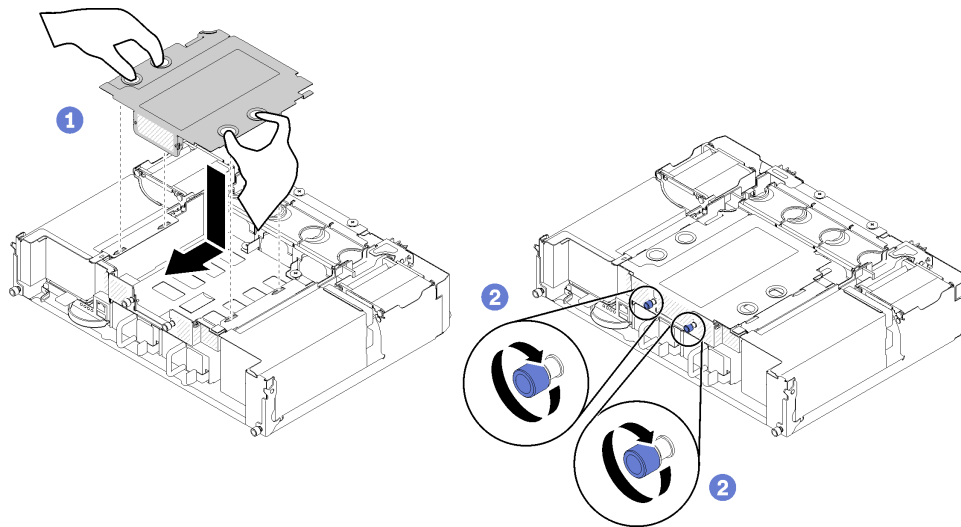


Figure 52. EIOM filler removal

- Step 2. Pull the EIOM card slightly towards the rear side of the shuttle.
- Step 3. Connect required cables to the EIOM card. (Skip this step for the EIOM filler)
- Step 4. Turn the thumbscrews clockwise.

After you install the EIOM card, complete the following steps:

1. Reinstall the shuttle (see “Install the shuttle” on page 70).
2. Reconnect the power cords and any cables that you removed.
3. Push all compute nodes back into the enclosure (see “Install a compute node in the enclosure” on page 98).
4. Turn on all compute nodes.

Install a low-profile PCIe x16 adapter

Use this information to install a low-profile PCIe x16 adapter.

Before you install a low-profile PCIe x16 adapter:

1. Read the following section(s) to ensure that you work safely.
 - “Installation Guidelines” on page 48
2. Turn off the corresponding compute node that you are going to perform the task on.
3. Touch the static-protective package that contains the adapter to any unpainted metal surface on the solution; then, remove the adapter from the package.
4. Locate the adapter.



Figure 53. Adapter location

5. Place the adapter, component side up, on a flat, static-protective surface and set any jumpers or switches as described by the adapter manufacturer, if necessary.

Complete the following steps to install a low-profile PCIe x16 adapter.

Watch the procedure. A video of the installation process is available:

- Youtube: <https://www.youtube.com/playlist?list=PLYV5R7hVcs-DOlbsCdADcoKQdMB2Uuk-T>
- Youku: http://list.youku.com/albumlist/show/id_50483438

Step 1. Remove the adapter cassette.

- Slide the release latch to the open position.
- Slide the adapter cassette out of the shuttle.

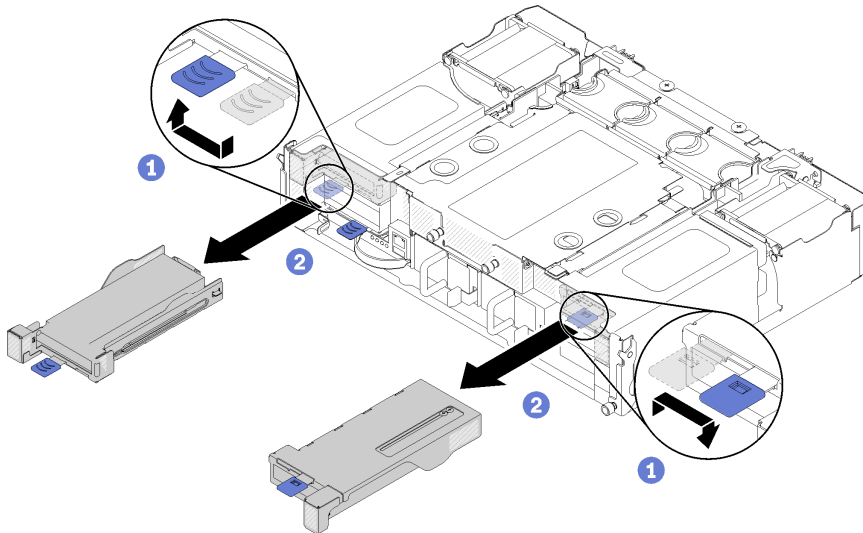


Figure 54. Adapter cassette removal

Step 2. Install the adapter to the adapter cassette.

- Remove the screws.
- Slide the expansion-slot cover out.
- Align the gold finger on the adapter with the cassette, then, insert the adapter into the adapter cassette.
- Loosen bracket screws for about 1/4 turn to adjust the adapter bracket to secure the adapter according to your adapter length; then, tighten bracket screws.
- Fasten the screw to secure the adapter to the cassette.
- Connect any required cables to the adapter.

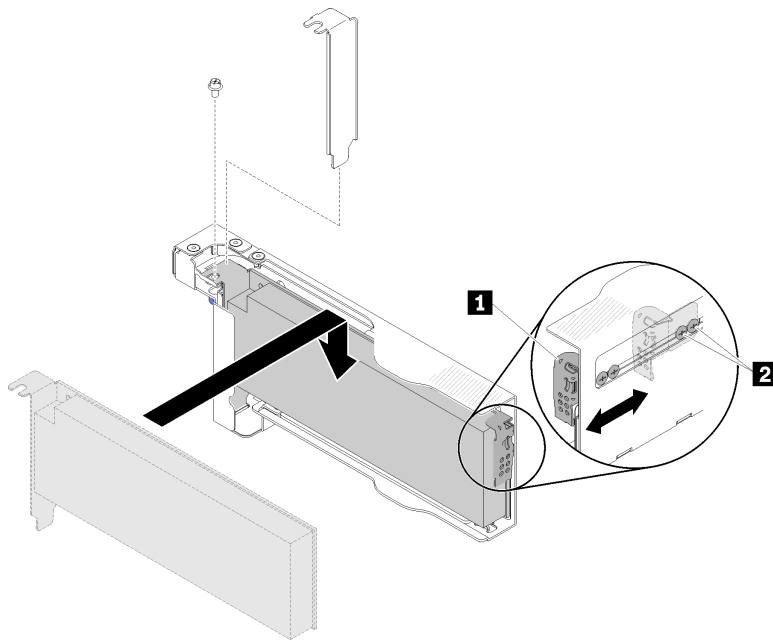


Figure 55. Adapter installation

Step 3. Reinstall the adapter cassette.

- a. Slide the release latch to the open position.

Note: Pay attention to the adapter cassette position when you installing it and please refer to the following illustration for the accurate position information.

- b. Carefully align the adapter cassette with the guides on the shuttle ; then, slide the adapter cassette into the shuttle and make sure that the cassette is fully seated.
- c. Slide the release latch to the close position.

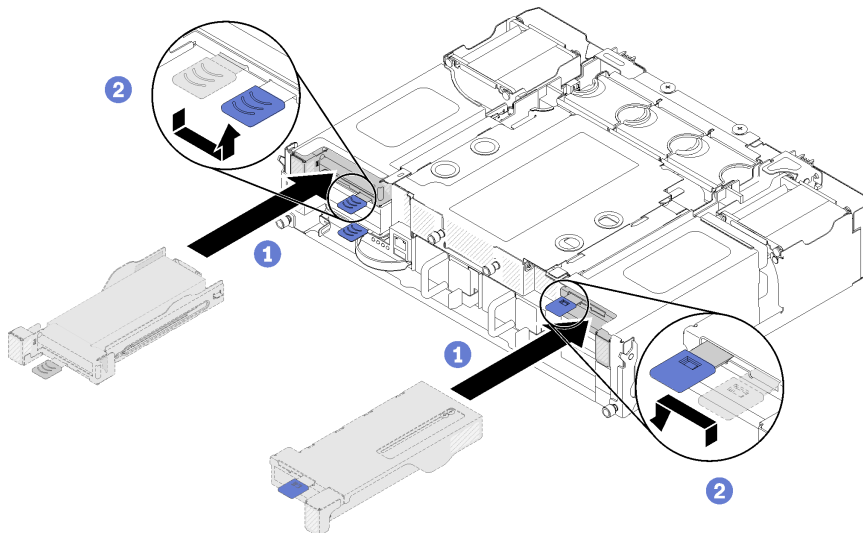


Figure 56. Adapter cassette installation

After you install a low-profile PCIe x16 adapter, complete the following steps.

1. Reconnect the power cords and any cables that you removed.

2. Turn on all compute nodes.

Install a low-profile PCIe x8 adapter

Use this information to install a low-profile PCIe x8 adapter.

Before you install a low-profile PCIe x8 adapter:

1. Read the following section(s) to ensure that you work safely.
 - “Installation Guidelines” on page 48
2. Turn off all compute nodes and peripheral devices (See “Power off the node” on page 100).
3. Disengage all compute nodes from the enclosure.
4. Disconnect the power cords and all external cables from the rear of the enclosure.
5. Remove the shuttle (see “Remove the shuttle” on page 51).
6. Locate the adapter.

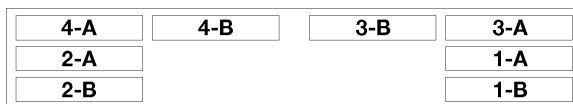


Figure 57. Adapter location

7. Touch the static-protective package that contains the adapter to any unpainted metal surface on the solution; then, remove the adapter from the package.
8. Place the adapter, component side up, on a flat, static-protective surface and set any jumpers or switches as described by the adapter manufacturer.

Complete the following steps to install a low-profile PCIe x8 adapter.

Watch the procedure. A video of the installation process is available:

- Youtube: <https://www.youtube.com/playlist?list=PLYV5R7hVcs-DOlbsCdADcoKQdMB2Uuk-T>
- Youku: http://list.youku.com/albumlist/show/id_50483438

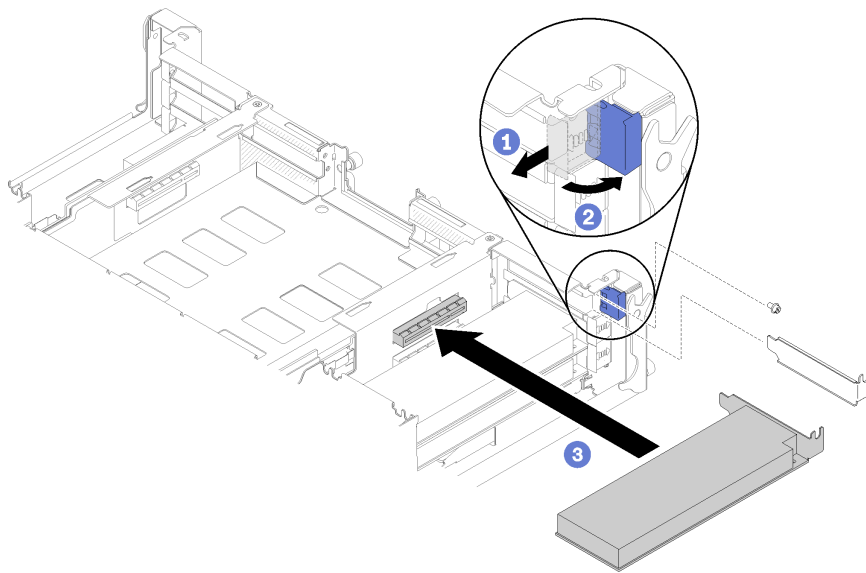


Figure 58. Adapter installation

- Step 1. Slide the retention bracket forward and rotate it to the open position.
- Step 2. Remove screw (if necessary).
- Step 3. Slide the expansion-slot cover out of the shuttle.
- Step 4. Align the adapter with the PCI connector on the shuttle and press the adapter firmly into the PCI connector on the shuttle.
- Step 5. Rotate the retention bracket and slide toward the rear of the shuttle to the close position.
- Step 6. Fasten the screw if necessary.

Note: Please fasten the screw if the solution is under vibration environment or you plan to transport the solution.

After you install a low-profile PCIe x8 adapter, complete the following steps.

1. Reinstall the shuttle (see “Install the compute node cover” on page 97).
2. Reconnect the power cords and any cables that you removed.
3. Push all compute nodes back into the enclosure (see “Install a compute node in the enclosure” on page 98).
4. Turn on all compute nodes.

Install a low-profile PCIe x8 adapter in PCIe slot 3-B and 4-B

Use this information to install a low-profile PCIe x8 adapter in PCIe slot 3-B and 4-B.

Before you install a low-profile PCIe x8 adapter in PCIe slot 3-B and 4-B:

1. Read the following section(s) to ensure that you work safely.
 - “Installation Guidelines” on page 48
2. Turn off all compute nodes and peripheral devices (See “Power off the node” on page 100).
3. Disengage all compute nodes from the enclosure.
4. Disconnect the power cords and all external cables from the rear of the enclosure.
5. Remove the shuttle (see “Remove the shuttle” on page 51).
6. Remove the EIOM card (see “Remove the EIOM card” on page 53).
7. Touch the static-protective package that contains the adapter to any unpainted metal surface on the solution; then, remove the adapter from the package.
8. Locate the adapter.

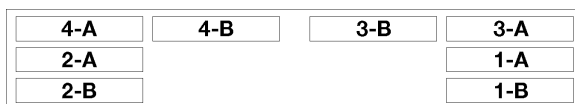


Figure 59. Adapter location

9. Place the adapter, component side up, on a flat, static-protective surface and set any jumpers or switches as described by the adapter manufacturer, if necessary.

Complete the following steps to install a low-profile PCIe x8 adapter in PCIe slot 3-B and 4-B.

Watch the procedure. A video of the installation process is available:

- Youtube: <https://www.youtube.com/playlist?list=PLYV5R7hVcs-DOlbsCdADcoKQdMB2Uuk-T>
- Youku: http://list.youku.com/albumlist/show/id_50483438

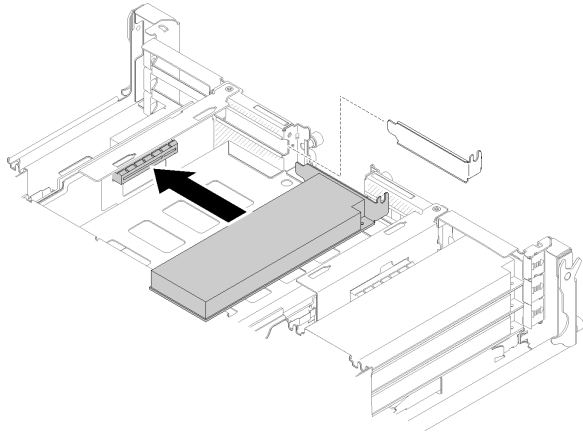


Figure 60. Adapter installation

Step 1. Slide the expansion-slot cover out of the shuttle.

Step 2. Align the adapter with the PCI connector on the shuttle and press the adapter firmly into the PCI connector on the shuttle.

After you install a low-profile PCIe x8 adapter in PCIe slot 3-B and 4-B, complete the following steps.

1. Reinstall the EIOM card (see “Install the EIOM card” on page 56).
2. Reinstall the shuttle (see “Install the compute node cover” on page 97).
3. Reconnect the power cords and any cables that you removed.
4. Push all compute nodes back into the enclosure (see “Install a compute node in the enclosure” on page 98).
5. Turn on all compute nodes.

Install a hot-swap power supply

Use this information to install a hot-swap power supply.

To avoid possible danger, read and follow the following safety statement.

- **S001**





Electrical current from power, telephone, and communication cables is hazardous.

To avoid a shock hazard:

- **Do not connect or disconnect any cables or perform installation, maintenance, or reconfiguration of this product during an electrical storm.**
- **Connect all power cords to a properly wired and grounded electrical outlet.**
- **Connect to properly wired outlets any equipment that will be attached to this product.**
- **When possible, use one hand only to connect or disconnect signal cables.**
- **Never turn on any equipment when there is evidence of fire, water, or structural damage.**
- **Disconnect the attached power cords, telecommunications systems, networks, and modems before you open the device covers, unless instructed otherwise in the installation and configuration procedures.**
- **Connect and disconnect cables as described in the following table when installing, moving, or opening covers on this product or attached devices.**

To Connect:

1. Turn everything OFF.
2. First, attach all cables to devices.
3. Attach signal cables to connectors.
4. Attach power cords to outlet.
5. Turn device ON.

To Disconnect:

1. Turn everything OFF.
2. First, remove power cords from outlet.
3. Remove signal cables from connectors.
4. Remove all cables from devices.

• **S035**



CAUTION:

Never remove the cover on a power supply or any part that has this label attached.

Hazardous voltage, current, and energy levels are present inside any component that has this label attached. There are no serviceable parts inside these components. If you suspect a problem with one of these parts, contact a service technician.

Before you install a hot-swap power supply:

Notes:

1. Make sure the devices you are installing are supported. For a list of supported optional devices for the solution, see <http://www.lenovo.com/serverproven/>.
2. Do not install two power supply units with different wattages. Related information is available from the following:
 - Read the label on top cover for maximum wattage output of installed power supply units. Only replace the existing units with those with the same wattage as marked on the label.
 - Check the rear of the node to make sure there is no length difference between the two installed units. If there is visible difference in length, it means the two units come with different wattages, and one of them have to be replaced.

Complete the following steps to install a hot-swap power supply.

Watch the procedure. A video of the installation process is available:

- Youtube: <https://www.youtube.com/playlist?list=PLYV5R7hVcs-DOlbsCdADcoKQdMB2Uuk-T>
- Youku: http://list.youku.com/albumlist/show/id_50483438

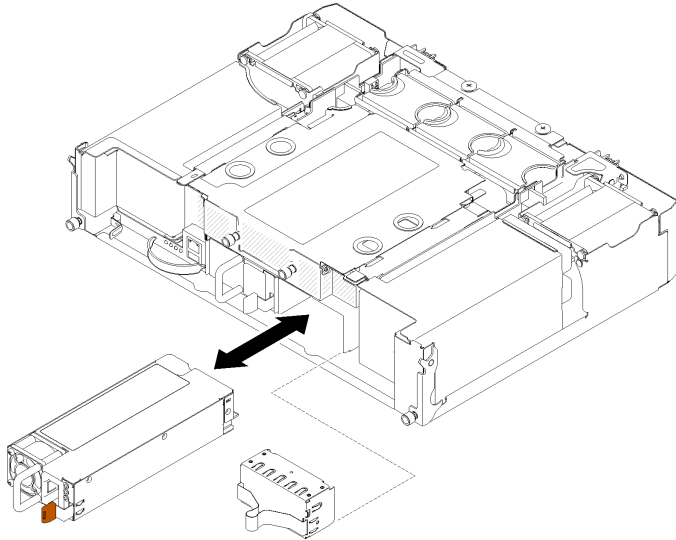


Figure 61. Hot-swap power supply installation

Step 1. Slide the hot-swap power supply into the bay until the release latch clicks into place.

Important: During normal operation, each power-supply bay must contain either a power supply or power-supply filler panel for proper cooling.

Step 2. Connect one end of the power cord for the new power supply into the AC connector on the back of the power supply; then, connect the other end of the power cord into a properly grounded electrical outlet.

Note: Connect the power cord to the power supply unit, and make sure it's properly connected to the power.

Step 3. If the node is turned off, turn on the node.

Step 4. Make sure that the ac power LED on the power supply is lit, indicating that the power supply is operating correctly. If the node is turned on, make sure that the dc power LED on the power supply is lit also.

After you install a hot-swap power supply, complete the following steps:

1. Reconnect the power cords and any cables that you removed.
2. Turn on all compute nodes.

Install the System Management Module (SMM) assembly

Use this information to install the System Management Module (SMM) assembly.

Before you install the System Management Module (SMM) assembly:

1. Read the following section(s) to ensure that you work safely.
 - “Installation Guidelines” on page 48

2. If you want to migrate current chassis settings and the chassis PDM VPD onto the new SMM, make sure you have done the following:
 - a. You had performed SMM setting backup, the chassis VPD backup, and the PDM VPD back up procedures (see *System Management Module User's Guide*).
 - b. Use a FAT32 formatted USB flash drive with at least 1GB empty space to backup SMM settings from the SMM assembly and install it onto the new SMM assembly for settings restore.

Complete the following steps to install the SMM assembly.

Watch the procedure. A video of the installation process is available:

- Youtube: <https://www.youtube.com/playlist?list=PLYV5R7hVcs-DOlbsCdADcoKQdMB2Uuk-T>
- Youku: http://list.youku.com/albumlist/show/id_50483438

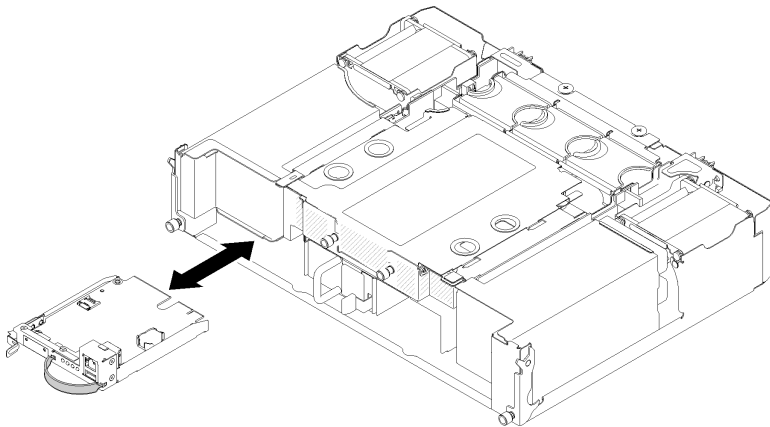


Figure 62. SMM installation

- Step 1. Pull the release latch and hook the rope by fingers; then, slide the SMM assembly into the shuttle until it clicks into place.
- Step 2. Connect the required cables.

After you install the SMM assembly, complete the following steps.

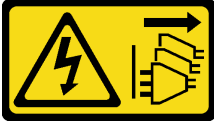
1. Connect all cables to the SMM assembly.
2. If you want to restore the old chassis settings, chassis VPD, and PDM VPD onto the new SMM assembly after it is replaced, make sure you have followed the restore procedures to restore all of the chassis settings and VPD data from the USB flash drive which is taken from the old SMM assembly:
 - a. Update the solution firmware to the latest level.
 - b. Log in to SMM web interface.
 - c. Go to **System Information** section, click on the **Chassis VPD** or **PDM VPD** tab.
 - d. For chassis and PDM VPD backup, restoring, and updating, see *System Management Module User's Guide*.

Install the SMM battery

Use this information to install the SMM battery.

To avoid possible danger, read and follow the following safety statement.

- **S002**



CAUTION:

The power control button on the device and the power switch on the power supply do not turn off the electrical current that is supplied to the device. The device also might have more than one power cord. To remove all electrical current from the device, ensure that all power cords are disconnected from the power source.

- **S004**



CAUTION:

When replacing the lithium battery, use only Lenovo specified part number or an equivalent type battery recommended by the manufacturer. If your system has a module containing a lithium battery, replace it only with the same module type made by the same manufacturer. The battery contains lithium and can explode if not properly used, handled, or disposed of. *Do not:*

- Throw or immerse into water
- Heat to more than 100°C (212°F)
- Repair or disassemble

Dispose of the battery as required by local ordinances or regulations.

Before you install the SMM battery:

1. Read the following section(s) to ensure that you work safely.
 - “Installation Guidelines” on page 48
2. Remove the SMM assembly (see “Remove the System Management Module (SMM) assembly” on page 54).

The following notes describe information that you must consider when replacing the battery in the SMM assembly.

- When replacing the battery, you must replace it with a lithium battery of the same type from the same manufacturer.
- To order replacement batteries, call 1-800-426-7378 within the United States, and 1-800-465-7999 or 1-800-465-6666 within Canada. Outside the U.S. and Canada, call your Lenovo marketing representative or authorized reseller.
- After you replace the battery, you must reconfigure the time settings.
- To avoid possible danger, read and follow the following safety statement.

Complete the following steps to install the SMM battery.

Watch the procedure. A video of the installation process is available:

- Youtube: <https://www.youtube.com/playlist?list=PLYV5R7hVcs-DOlbsCdADcoKQdMB2Uuk-T>
- Youku: http://list.youku.com/albumlist/show/id_50483438

Step 1. Locate the battery.

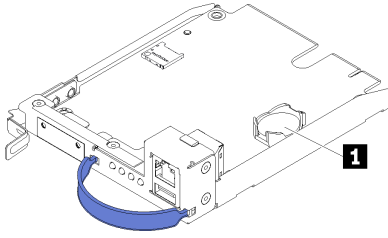


Figure 63. SMM battery

Table 29. SMM battery

1 SMM battery

- Step 2. Follow any special handling and installation instructions that come with the replacement battery.
- Step 3. Tilt the battery so that you can insert it into the socket.

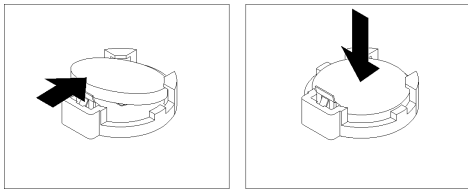


Figure 64. Battery installation

- Step 4. As you slide the battery into place, press the battery down into the socket until it clicks into place.

After you install the SMM battery, complete the following steps.

1. Reinstall the SMM assembly (see “Install the System Management Module (SMM) assembly” on page 65).
2. Start the Setup utility and reset the configuration.

Install the SMM USB flash drive

Use this information to install the SMM USB flash drive.

Before you install the SMM USB flash drive:

1. Read the following section(s) to ensure that you work safely.
 - “Installation Guidelines” on page 48
2. If you want to migrate current chassis settings and the chassis PDM VPD onto the new SMM, make sure you have performed SMM setting backup, the chassis VPD backup, and the PDM VPD back up procedures (see *System Management Module User's Guide*).

Complete the following steps to install the SMM USB flash drive.

Watch the procedure. A video of the installation process is available:

- Youtube: <https://www.youtube.com/playlist?list=PLYV5R7hVcs-DOlbsCdADcoKQdMB2Uuk-T>
- Youku: http://list.youku.com/albumlist/show/id_50483438

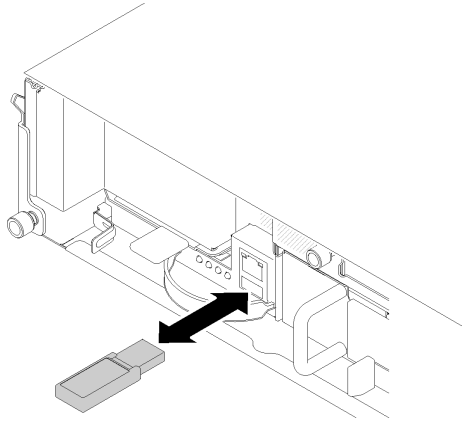


Figure 65. SMM USB flash drive installation

Step 1. Align the USB flash drive with the connector and push it until it firmly connected.

Note: When connecting the USB flash drive and a management Ethernet cable into the SMM (RJ-45 port) at the same time, please connect two components around the SMM and pull the SMM strap as one of the following illustrations.

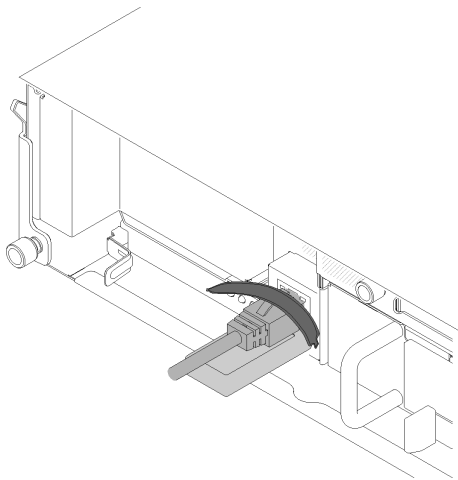


Figure 66. USB flash drive and RJ45 cable connection

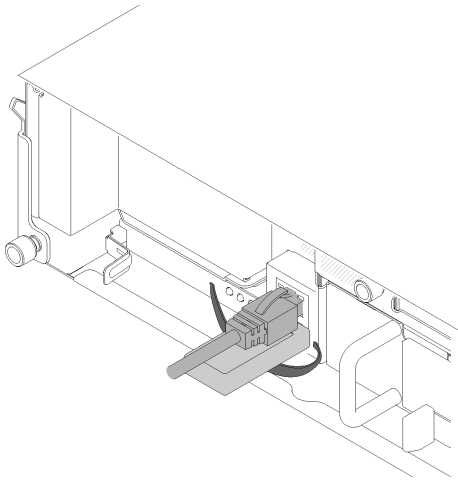


Figure 67. USB flash drive and RJ45 cable connection

Install the shuttle

Use this information to install the shuttle.

Before you install the shuttle:

1. Read the following section(s) to ensure that you work safely.
 - “Installation Guidelines” on page 48
2. Turn off all compute nodes and peripheral devices (See “Power off the node” on page 100).
3. Disengage all compute nodes from the enclosure.
4. Disconnect the power cords and all external cables from the rear of the enclosure.

Attention: Be careful when you are removing or installing the shuttle to avoid damaging the shuttle connectors.

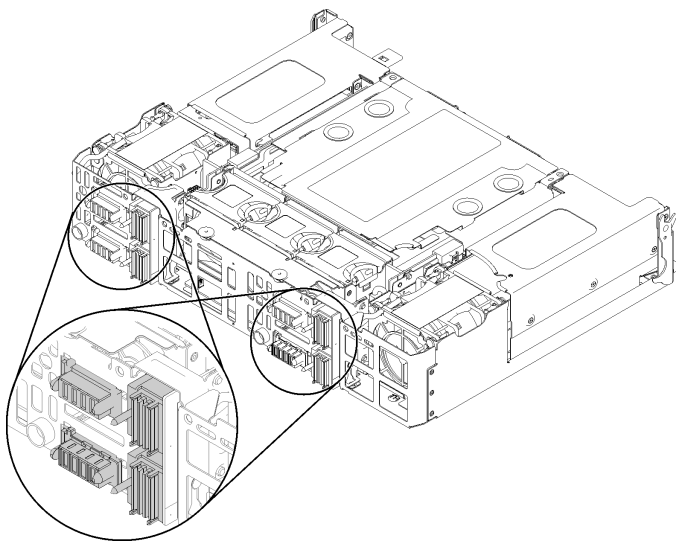


Figure 68. Shuttle connectors

Complete the following steps to install the shuttle.

Watch the procedure. A video of the installation process is available:

- Youtube: <https://www.youtube.com/playlist?list=PLYV5R7hVcs-DOlbsCdADcoKQdMB2Uuk-T>
- Youku: http://list.youku.com/albumlist/show/id_50483438

Step 1. Turn the two thumbscrews counterclockwise to release handles.

Step 2. Align the shuttle with rails and pins; then, slide the shuttle into the enclosure.

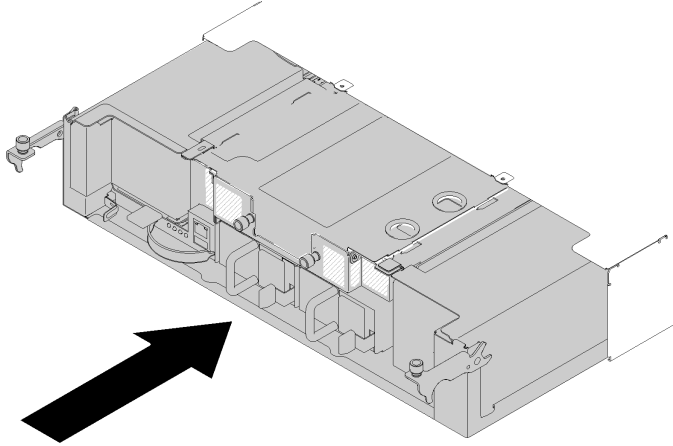


Figure 69. Shuttle installation

Step 3. Make sure the pins on the shuttle are fully seated in the slots.

Step 4. Push the handles down and turn the thumbscrews clockwise.

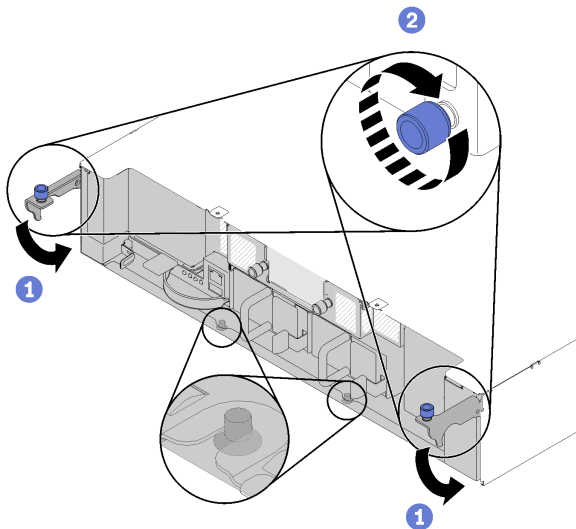


Figure 70. Shuttle installation

After you install the shuttle, complete the following steps:

1. If the cable management arm is removed, install it (see “Install the cable management arm” on page 55).
2. Push all compute nodes back into the enclosure (see “Install a compute node in the enclosure” on page 98).
3. Turn on all compute nodes.

Install hardware options in the node

Use the following information to remove and install the node options.

Remove a compute node from the enclosure

Use this procedure to remove a compute node from the D2 Enclosure.

Attention: Unauthorized personnel should not remove or install the nodes. Only trained or service-related personnel are admitted to perform such actions.

Before you remove a compute node:

1. Read the following section(s) to ensure that you work safely.
 - “Installation Guidelines” on page 48
2. Turn off the corresponding compute node that you are going to perform the task on.
3. When you remove the compute node, note the node bay number. Reinstalling a compute node into a different node bay from the one it was removed from can have unintended consequences. Some configuration information and update options are established according to node bay number. If you reinstall the compute node into a different node bay, you might have to reconfigure the compute node. One way to track node is via the serial number.

Note: The serial number is located on the pull out tab for the each node.

Complete the following steps to remove the compute node from a enclosure.

Watch the procedure. A video of the installation process is available:

- Youtube: <https://www.youtube.com/playlist?list=PLYV5R7hVcs-DOlbsCdADcoKQdMB2Uuk-T>
- Youku: http://list.youku.com/albumlist/show/id_50483438

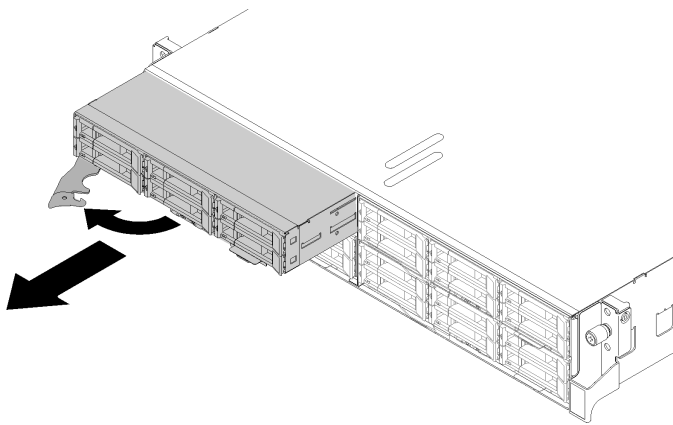


Figure 71. Node removal

Step 1. Release and rotate the front handle as shown in the illustration.

Attention: To maintain proper system cooling, do not operate the D2 Enclosure without a compute node or node bay filler installed in each node bay.

Step 2. Slide the node out about 12 inches (300 mm); then, grip the node with both hands and remove it from the enclosure.

Step 3. Install either a node bay filler or another compute node in the node bay within 1 minute.

If you are instructed to return the component or optional device, follow all packaging instructions, and use any packaging materials for shipping that are supplied to you.

Remove the compute node cover

Use this procedure to remove the compute node cover.

Before you remove the compute node cover:

1. Read the following section(s) to ensure that you work safely.
 - “Installation Guidelines” on page 48
2. Turn off the corresponding compute node that you are going to perform the task on.
3. Remove the node from the enclosure. See “Remove a compute node from the enclosure” on page 72

Complete the following steps to remove the compute node cover.

Watch the procedure. A video of the installation process is available:

- Youtube: <https://www.youtube.com/playlist?list=PLYV5R7hVcs-DOlbsCdADcoKQdMB2Uuk-T>
- Youku: http://list.youku.com/albumlist/show/id_50483438

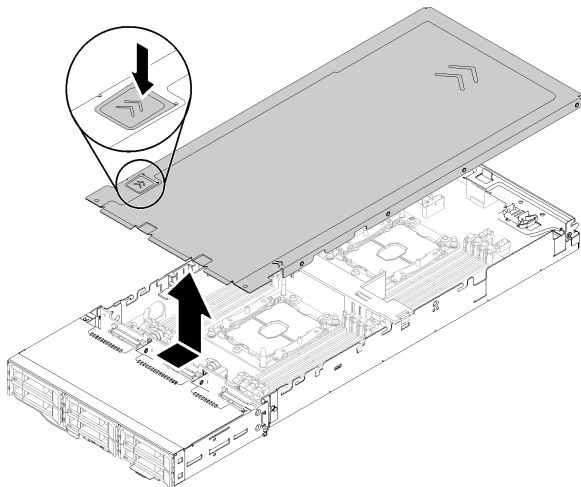


Figure 72. Compute node cover removal

Step 1. Push the cover-release latch on the top of the node cover.

Step 2. Slide the cover toward the rear of the node until the cover has disengaged from the node; then, lift the cover away from the node.

If you are instructed to return the component or optional device, follow all packaging instructions, and use any packaging materials for shipping that are supplied to you.

Remove the air baffle

Use this procedure to remove the air baffle.

Before removing the air baffle:

1. Read the following section(s) to ensure that you work safely.
 - “Installation Guidelines” on page 48
2. Turn off the corresponding compute node that you are going to perform the task on.

3. Remove the compute node (see “Remove a compute node from the enclosure” on page 72).
4. Remove the compute node cover (see “Remove the compute node cover” on page 73).

Complete the following steps to remove the air baffle.

Watch the procedure. A video of the installation process is available:

- Youtube: <https://www.youtube.com/playlist?list=PLYV5R7hVcs-DOlbsCdADcoKQdMB2Uuk-T>
- Youku: http://list.youku.com/albumlist/show/id_50483438

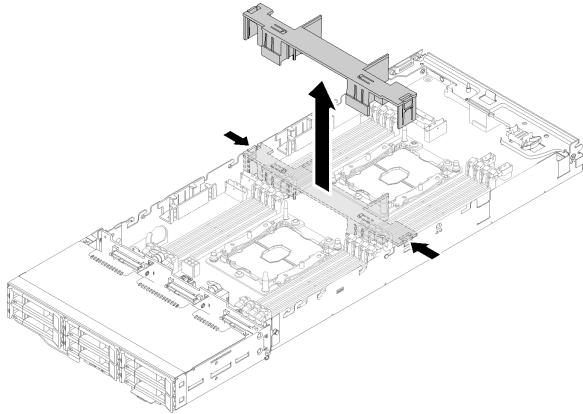


Figure 73. Air baffle removal

Step 1. Slightly push the right and left release latches; then, lift the air baffle out of the node.

Attention: For proper cooling and airflow, replace the air baffle before you turn on the node. Operating the node with the air baffle removed might damage node components.

If you are instructed to return the component or optional device, follow all packaging instructions, and use any packaging materials for shipping that are supplied to you.

Remove the M.2 backplane

Use this information to remove the M.2 backplane.

Before you remove the M.2 backplane:

1. Read the following section(s) to ensure that you work safely.
 - “Installation Guidelines” on page 48
2. Turn off the corresponding compute node that you are going to perform the task on.
3. Remove the compute node (see “Remove a compute node from the enclosure” on page 72).
4. Remove the compute node cover (see “Remove the compute node cover” on page 73).

Complete the following steps to remove the M.2 backplane.

Watch the procedure. A video of the installation process is available:

- Youtube: <https://www.youtube.com/playlist?list=PLYV5R7hVcs-DOlbsCdADcoKQdMB2Uuk-T>
- Youku: http://list.youku.com/albumlist/show/id_50483438

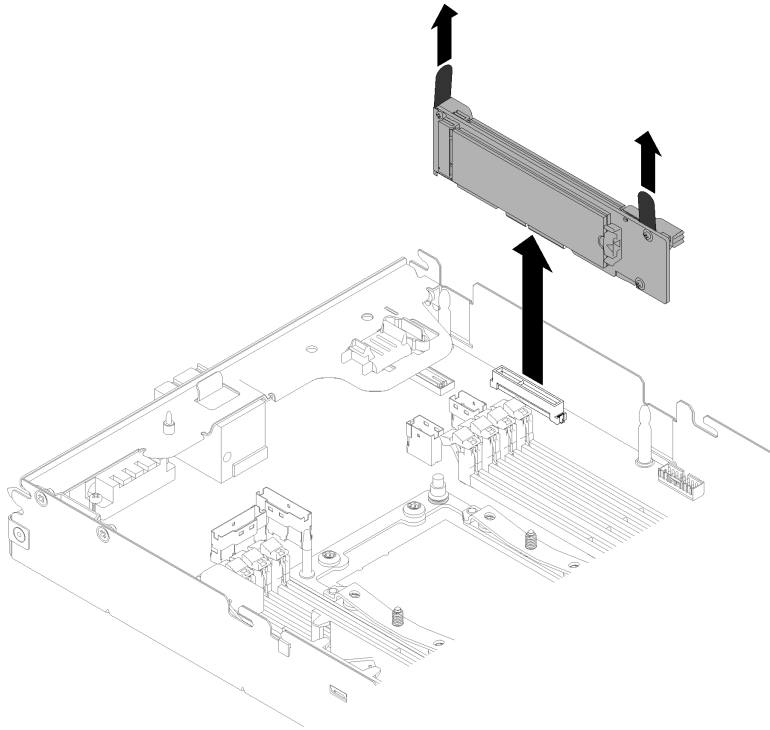


Figure 74. M.2 backplane removal

Step 1. Remove the M.2 backplane from the system board by pulling up on both ends of the backplane at the same time.

If you are instructed to return the component or optional device, follow all packaging instructions, and use any packaging materials for shipping that are supplied to you.

Remove an M.2 drive in the M.2 backplane

Use this information to remove an M.2 drive in the M.2 backplane.

Before you remove an M.2 drive in the M.2 backplane:

1. Read the following section(s) to ensure that you work safely.
 - “Installation Guidelines” on page 48
2. Turn off the corresponding compute node that you are going to perform the task on.
3. Remove the compute node (see “Remove a compute node from the enclosure” on page 72).
4. Remove the compute node cover (see “Remove the compute node cover” on page 73).
5. Remove the M.2 backplane (see “Remove the M.2 backplane” on page 74).

Complete the following steps to remove an M.2 drive from the M.2 backplane.

Watch the procedure. A video of the installation process is available:

- Youtube: <https://www.youtube.com/playlist?list=PLYV5R7hVcs-DOlbsCdADcoKQdMB2Uuk-T>
- Youku: http://list.youku.com/albumlist/show/id_50483438

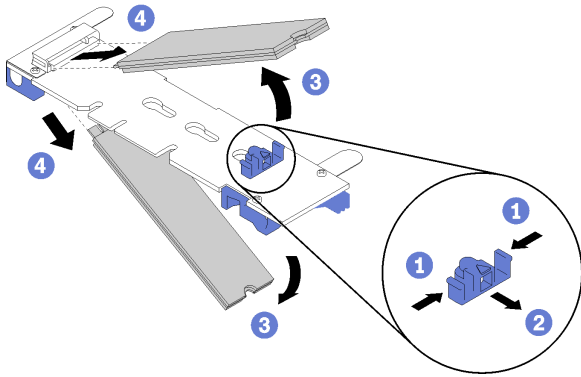


Figure 75. M.2 drive removal

Step 1. Press both sides of the retainer and slide it backward to loosen the M.2 drive from the M.2 backplane.

Note: If your M.2 backplane has two M.2 drives, they will both release outward when you slide the retainer backward.

Step 2. Remove the M.2 drive by rotating it away from the M.2 backplane and pulling away from the connector at an angle (approximately 30 degrees).

If you are instructed to return the component or optional device, follow all packaging instructions, and use any packaging materials for shipping that are supplied to you.

Install the KVM breakout module

Use this information to install the KVM breakout module.

Before you install the KVM breakout module:

1. Read the following section(s) to ensure that you work safely.
 - “Installation Guidelines” on page 48
2. Turn off the corresponding compute node that you are going to perform the task on.
3. Remove the node (see “Remove a compute node from the enclosure” on page 72).
4. Remove the compute node cover (see “Remove the compute node cover” on page 73).
5. Remove the air baffle (see “Remove the air baffle” on page 73).

Complete the following steps to install the KVM breakout module.

Watch the procedure. A video of the installation process is available:

- Youtube: <https://www.youtube.com/playlist?list=PLYV5R7hVcs-DOlbsCdADcoKQdMB2Uuk-T>
- Youku: http://list.youku.com/albumlist/show/id_50483438

Step 1. Connect all required cables to the KVM breakout module.

Step 2. Carefully route cables through the drive bay and the drive backplane.

- The right KVM breakout module (for four 2.5-inch-drive model)

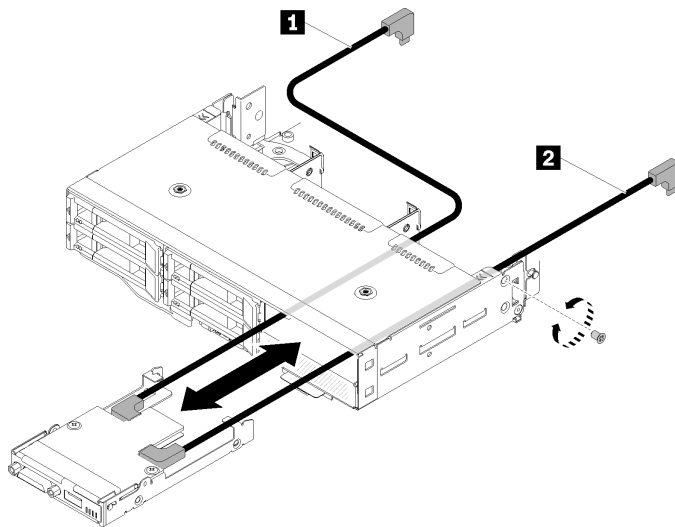


Figure 76. Right KVM breakout module installation

Table 30. Components on the right KVM breakout module installation

1 Long signal cable	2 Short signal cable
----------------------------	-----------------------------

Attention: Make sure the USB 3.0 connector is on your right side as illustrated to ensure the correct installation.

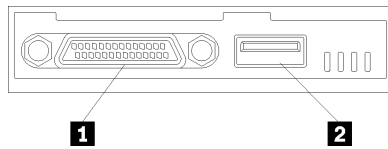


Figure 77. KVM breakout module

Table 31. KVM breakout module

1 KVM connector	2 USB 3.0 connector
------------------------	----------------------------

- The left KVM breakout module (for six 2.5-inch-drive model)

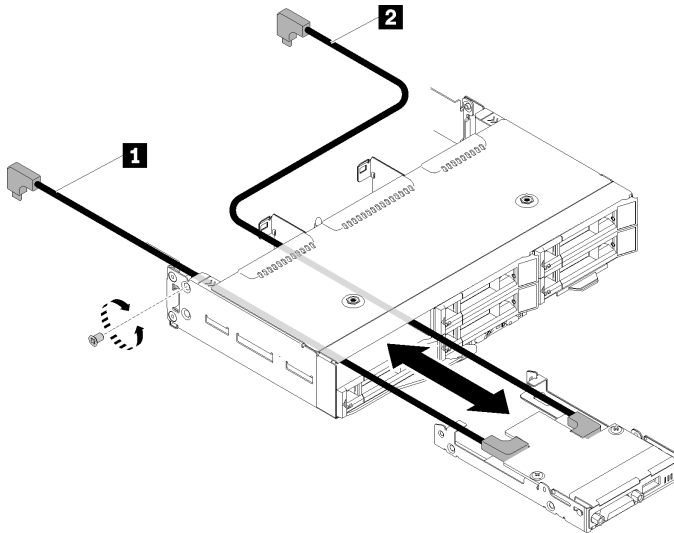


Figure 78. Left KVM breakout module installation

Table 32. Components on the left KVM breakout module installation

1 Short signal cable	2 Long signal cable
-----------------------------	----------------------------

Attention: Make sure the USB 3.0 connector is on your right side as illustrated to ensure the correct installation.

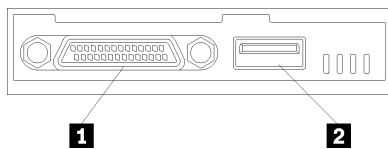


Figure 79. KVM breakout module

Table 33. KVM breakout module

1 KVM connector	2 USB 3.0 connector
------------------------	----------------------------

- Step 3. Insert the KVM breakout module into the node.
- Step 4. Fasten the screw.
- Step 5. Connect required cables to connectors as shown in the following illustrations.

Note: Manage cables in plastic cable guides located on side of compute node.

- The right KVM breakout module (for four 2.5-inch-drive model)

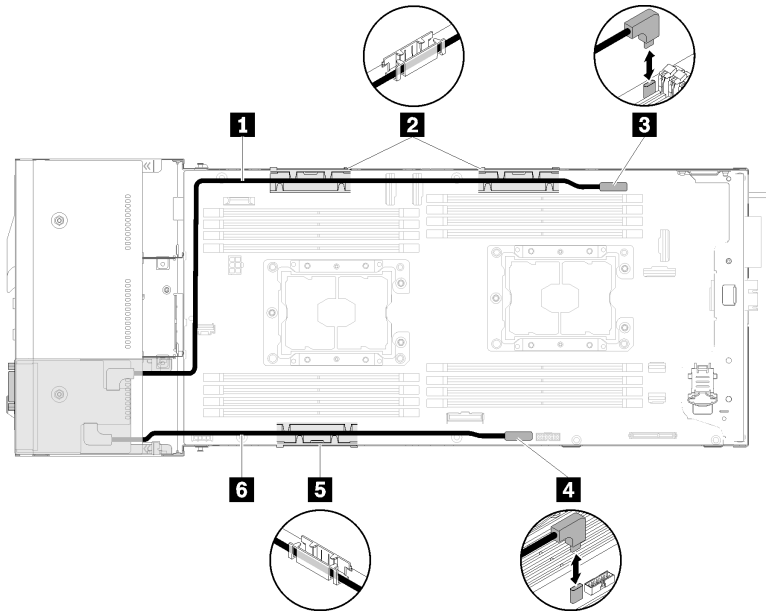


Figure 80. Right KVM breakout module cable routing

Table 34. Components on the right KVM breakout module cable routing

1 Long signal cable	3 KVM breakout cable connector
2 5 Internal cable management basket	4 USB connector
6 Short signal cable	

- The left KVM breakout module (for six 2.5-inch-drive model)

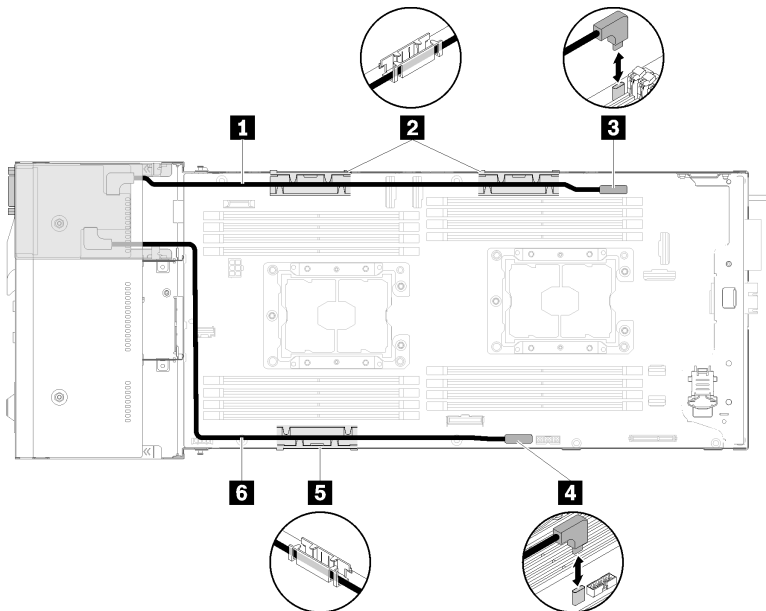


Figure 81. Left KVM breakout module cable routing

Table 35. Components on the left KVM breakout module cable routing

1 Short signal cable	3 KVM breakout cable connector
2 5 Internal cable management basket	4 USB connector
6 Long signal cable	

After you install the KVM breakout module, complete the following steps.

1. Reinstall the air baffle (see “Install the air baffle” on page 96).
2. Reinstall the node cover (see “Install the compute node cover” on page 97).
3. Reinstall the compute node (see “Install a compute node in the enclosure” on page 98).
4. Reconnect the power cords and any cables that you removed.
5. Check the power LED to make sure it transitions between fast blink and slow blink to indicate the node is ready to be powered on.

Install a hot-swap drive

Use this procedure to install a drive.

Before you install a drive:

1. Read the following section(s) to ensure that you work safely.
 - “Installation Guidelines” on page 48
2. Remove the drive filler from the empty drive bay. Keep the filler panel in a safe place.
3. Touch the static-protective package that contains the drive to any unpainted metal surface on the solution; then, remove the drive from the package and place it on a static-protective surface.

The following notes describe the type of drives that the node supports and other information that you must consider when you install a drive. For a list of supported drives, see <http://www.lenovo.com/serverproven/>.

- Locate the documentation that comes with the drive and follow those instructions in addition to the instructions in this chapter.
- You can install up to six hot-swap SAS/SATA 2.5-inch drives for each node.
- The electromagnetic interference (EMI) integrity and cooling of the solution are protected by having all bays and PCI and PCI Express slots covered or occupied. When you install a drive, PCI, or PCI Express adapter, save the EMC shield and filler panel from the bay or PCI or PCI Express adapter slot cover in the event that you later remove the device.
- For a complete list of supported optional devices for the node, see <http://www.lenovo.com/serverproven/>.

Complete the following steps to install a drive:

Watch the procedure. A video of the installation process is available:

- Youtube: <https://www.youtube.com/playlist?list=PLYV5R7hVcs-DOlbsCdADcoKQdMB2Uuk-T>
- Youku: http://list.youku.com/albumlist/show/id_50483438

Note: If you have only one drive, you must install it in the bay 0 (upper-left).

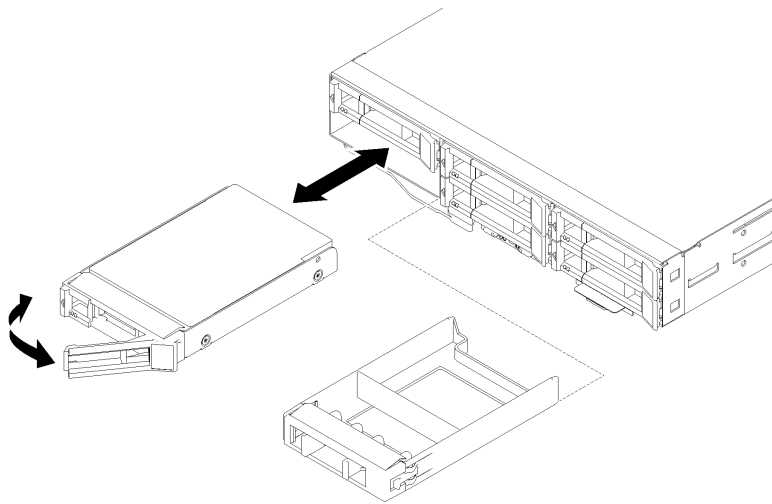


Figure 82. Drive installation

Step 1. Install the drive in the drive bay:

- a. Make sure that the tray handle is in the open (unlocked) position.
- b. Align the drive with the guide rails in the bay.
- c. Gently push the drive into the bay until the drive stops.
- d. Rotate the tray handle to the closed (locked) position and you can hear a click.
- e. Check the drive status LED to verify that the drive is operating correctly. If the yellow drive status LED of a drive is lit continuously, that drive is faulty and must be replaced. If the green drive activity LED is flashing, the drive is being accessed.

Step 2. If you are installing additional drives, do so now.

After you install all drives, complete the following steps.

1. If the node is configured for RAID operation using a RAID adapter, you might have to reconfigure your disk arrays after you install drives. See the RAID adapter documentation for additional information about RAID operation and complete instructions for using the RAID adapter.

Install the drive backplane

Use this information to install the drive backplane.

Before you install the drive backplane:

1. Read the following section(s) to ensure that you work safely.
 - “Installation Guidelines” on page 48
2. Turn off the corresponding compute node that you are going to perform the task on.
3. Remove the compute node (see “Remove a compute node from the enclosure” on page 72).
4. Remove the compute node cover (see “Remove the compute node cover” on page 73).

You can refer to “2.5-inch hot-swap drive backplanes” on page 30 for detailed backplane introduction.

Important: Do not mix nodes with the four-drive backplane and six-drive backplanes in the same enclosure. Mixing the four-drive backplane and six-drive backplanes may cause unbalanced cooling.

Complete the following steps to install the drive backplane.

Watch the procedure. A video of the installation process is available:

- Youtube: <https://www.youtube.com/playlist?list=PLYV5R7hVcs-DOlbsCdADcoKQdMB2Uuk-T>
- Youku: http://list.youku.com/albumlist/show/id_50483438

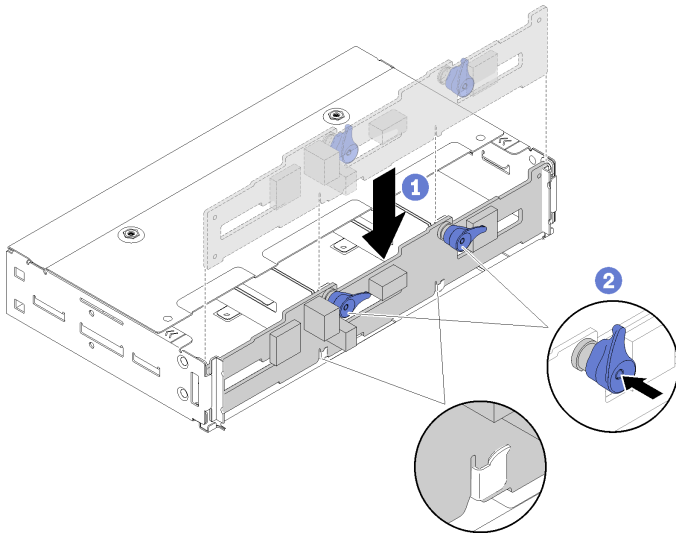


Figure 83. Drive backplane installation

- Step 1. Connect the ambient sensor cable.
- Step 2. Align the backplane with the backplane slots in the side walls of the node.
- Step 3. Lower the backplane into the slots in the chassis and push the two latches.

Note: Make sure the ambient sensor cable is routed through the slot on the bottom backplane.

- Step 4. Connect all required cables. For detailed cable routing, see “Internal cable routing” on page 36.

After you install the drive backplane, complete the following steps.

1. If the air baffle is removed, reinstall it (see “Install the air baffle” on page 96).
2. Reinstall the compute node cover (see “Install the compute node cover” on page 97).
3. Reinstall the compute node (see “Install a compute node in the enclosure” on page 98).
4. Check the power LED to make sure it transitions between fast blink and slow blink to indicate the node is ready to be powered on.

Memory module installation

The following notes describe the types of DIMMs that the node supports and other information that you must consider when you install DIMMs.

- Confirm that the node supports the DIMM that you are installing (see <http://www.lenovo.com/serverproven/>).
- When you install or remove DIMMs, the node configuration information changes. When you restart the node, the system displays a message that indicates that the memory configuration has changed. You can use the Setup utility to view the node configuration information, see *ThinkSystem D2 Enclosure and ThinkSystem SD530 Compute Node Setup Guide* for more information.
- Install higher capacity (ranked) DIMMs first, following the population sequence for the memory mode being used.

- The node supports only industry-standard double-data-rate 4 (DDR4), 2666 MT/s, PC4-21300 (single-rank or dual-rank), unbuffered or synchronous dynamic random-access memory (SDRAM) dual inline memory modules (DIMMs) with error correcting code (ECC).
- Do not mix RDIMMs, LRDIMMs and 3DS DIMMs in the same node.
- The maximum operating speed of the node is determined by the slowest DIMM in the node.
- If you install a pair of DIMMs in DIMM connectors 1 and 3, the size and speed of the DIMMs that you install in DIMM connectors 1 and 3 must match each other. However, they do not have to be the same size and speed as the DIMMs that are installed in DIMM connectors 2 and 4.
- You can use compatible DIMMs from various manufacturers in the same pair.
- The specifications of a DDR4 DIMM are on a label on the DIMM, in the following format.
- *gggGBpheRxff PC4-wwwwaa-mccd-bb*

where:

- *gggGB* is the total capacity, in gigabytes, for primary bus (ECC not counted) 4GB, 8GB, 16GB, etc. (no space between digits and units)
- *pheR* is the number of package ranks of memory installed and number of logical ranks per package rank
 - p =
 - 1 = 1 package rank of SDRAMs installed
 - 2 = 2 package ranks of SDRAMs installed
 - 3 = 3 package ranks of SDRAMs installed
 - 4 = 4 package ranks of SDRAMs installed
 - he = blank for monolithic DRAMs, else for modules using stacked DRAM:
 - h = DRAM package type
 - D = multi-load DRAM stacking (DDP)
 - Q = multi-load DRAM stacking (QDP)
 - S = single load DRAM stacking (3DS)
 - e = blank for SDP, DDP and QDP, else modules using 3DS stacks, logical ranks per package rank
 - 2 = 2 logical ranks in each package rank
 - 4 = 4 logical ranks in each package rank
 - 8 = 8 logical ranks in each package rank
 - R = rank(s)
 - *xff* = Device organization (data bit width) of SDRAMs used on this assembly
 - x4 = x4 organization (4 DQ lines per SDRAM)
 - x8 = x8 organization
 - x16 = x16 organization
- *wwwww* is the DIMM bandwidth, in MBps: 2133, 2400, 2666, 2933, 3200
- *aa* is the SDRAM speed grade
- *m* is the DIMM type
 - E = Unbuffered DIMM (UDIMM), x64 primary + 8 bit ECC module data bus
 - L = Load Reduced DIMM (LRDIMM), x64 primary + 8 bit ECC module data bus
 - R = Registered DIMM (RDIMM), x64 primary + 8 bit ECC module data bus

- U = Unbuffered DIMM (UDIMM) with no ECC (x64-bit primary data bus)
- cc is the reference design file used for this design
- d is the revision number of the reference design used
- bb is the JEDEC SPD Revision Encoding and Additions level used on this DIMM

The following illustration shows the location of the DIMM connectors on the system board.

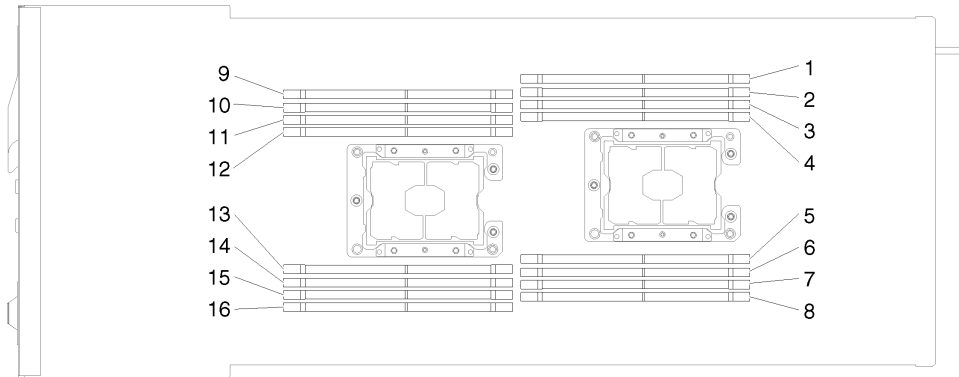


Figure 84. The location of the DIMM connectors on the system board

Installation order

Memory modules must be installed in a specific order based on the memory configuration that you implement on your node.

The following memory configurations are available:

- “Memory mirroring population sequence” on page 84
- “Memory rank sparing population sequence” on page 85
- “Independent memory mode population sequence” on page 84

For information about memory modes, see “Memory configuration” on page 105

Independent memory mode population sequence

Table 36. DIMM installation sequence (Independent mode/normal mode)

Number of processor	Installation sequence (connectors)
Processor 1 installed	6, 3, 7, 2, 8, 1, 5, 4
Processor 1 and 2 installed	6, 14, 3, 11, 7, 15, 2, 10, 8, 16, 1, 9, 5, 13, 4, 12

Memory mirroring population sequence

Table 37. DIMM installation sequence (mirror mode/lockstep mode)

Number of processors	Installation sequence (connectors)
Processor 1 installed	(6, 7), (2, 3), (8, 1)
Processor 1 and 2 installed	(6, 7, 14, 15), (2, 3), (10, 11), (1,8), (9, 16)

If you are installing 3, 6, 9 or 12 identical DIMMs for the mirroring mode, comply with the following installation sequence to achieve the best performance.

Table 38. DIMM installation sequence (mirror mode/lockstep mode for 3, 6, 9 and 12 identical DIMMs)

Number of processors	Installation sequence (connectors)
Processor 1 installed	(6, 7, 8), (1, 2, 3)
Processor 1 and 2 installed	(6, 7, 8), (14, 15, 16), (1, 2, 3), (9, 10, 11)

Memory rank sparing population sequence

Table 39. DIMM installation sequence (sparing mode)

Note: Single-rank RDIMM is not supported by sparing. If you install single-rank RDIMM, it switches to the independent mode automatically.

Number of processors	Installation sequence (connectors)
Processor 1 installed	6, 3, 7, 2, 8, 1, 5, 4
Processor 1 and 2 installed	6, 14, 3, 11, 7, 15, 2, 10, 8, 16, 1, 9, 5, 13, 4, 12

Install a DIMM

Use this information to install a DIMM.

Before you install a DIMM:

1. Read the following section(s) to ensure that you work safely.
 - “Installation Guidelines” on page 48
2. Turn off the corresponding compute node that you are going to perform the task on.
3. Remove the compute node (see “Remove a compute node from the enclosure” on page 72).
4. Remove the compute node cover (see “Remove the compute node cover” on page 73).
5. Remove the air baffle (see “Remove the air baffle” on page 73).

Attention: Memory modules are sensitive to static discharge and require special handling. In addition to the standard guidelines for Handling static-sensitive devices:

- Always wear an electrostatic-discharge strap when removing or installing memory modules. Electrostatic-discharge gloves can also be used.
- Never hold two or more memory modules together so that they touch. Do not stack memory modules directly on top of each other during storage.
- Never touch the gold memory module connector contacts or allow these contacts to touch the outside of the memory-module connector housing.
- Handle memory modules with care: never bend, twist, or drop a memory module.

The following illustration shows the location of the DIMM connectors on the system board. The following illustration shows the location of the DIMM connectors on the system board.

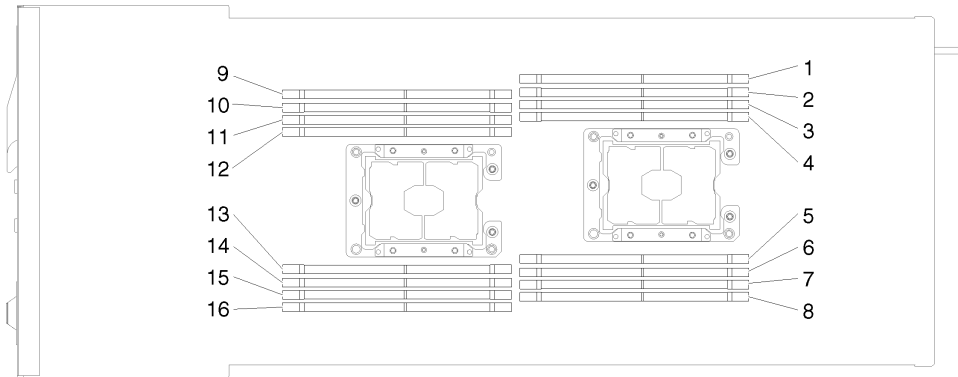


Figure 85. The location of the DIMM connectors on the system board

Complete the following steps to install a DIMM.

Watch the procedure. A video of the installation process is available:

- Youtube: <https://www.youtube.com/playlist?list=PLYV5R7hVcs-DOlbsCdADcoKQdMB2Uuk-T>
- Youku: http://list.youku.com/albumlist/show/id_50483438

Important: Before installing a memory module, make sure that you understand the required installation order, depending on whether you are implementing memory mirroring, memory rank sparing, or independent memory mode. See “Installation order” on page 84 for the required installation order.

Step 1. Open the retaining clip on each end of the DIMM connector.

Attention:

- DIMMs are static-sensitive devices. The package must be grounded before it is opened.
- To avoid breaking the retaining clips or damaging the DIMM connectors, open and close the clips gently.

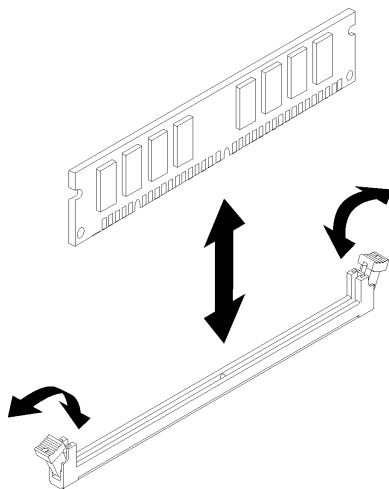


Figure 86. DIMM installation

Step 2. Touch the static-protective package that contains the DIMM to any unpainted metal surface on the outside of the node. Then, remove the DIMM from the package.

Step 3. Turn the DIMM so that the alignment slot align correctly with the alignment tab.

- Step 4. Insert the DIMM into the connector by aligning the edges of the DIMM with the slots at the ends of the DIMM connector.
- Step 5. Firmly press the DIMM straight down into the connector by applying pressure on both ends of the DIMM simultaneously. The retaining clips snap into the locked position when the DIMM is firmly seated in the connector.

Note: If there is a gap between the DIMM and the retaining clips, the DIMM has not been correctly inserted; open the retaining clips, remove the DIMM, and then reinsert it.

- Step 6. Reconnect any cable that you removed.

After you install a DIMM, complete the following steps:

1. Reinstall the air baffle (see “Install the air baffle” on page 96).
2. Reinstall the compute node cover (see “Install the compute node cover” on page 97).
3. Reinstall the compute node (see “Install a compute node in the enclosure” on page 98).
4. Check the power LED to make sure it transitions between fast blink and slow blink to indicate the node is ready to be powered on.

Install a RAID adapter

Use this information to install a RAID adapter.

Before you install a RAID adapter:

1. Read the following section(s) to ensure that you work safely.
 - “Installation Guidelines” on page 48
2. Turn off the corresponding compute node that you are going to perform the task on.
3. Remove the compute node (see “Remove a compute node from the enclosure” on page 72).
4. Remove the compute node cover (see “Remove the compute node cover” on page 73).
5. Touch the static-protective package that contains the RAID adapter to any unpainted metal surface on the node; then, remove the adapter from the package.
6. Place the RAID adapter, component side up, on a flat, static-protective surface and set any jumpers or switches as described by the adapter manufacturer.

Complete the following steps to install a RAID adapter.

Watch the procedure. A video of the installation process is available:

- Youtube: <https://www.youtube.com/playlist?list=PLYV5R7hVcs-DOlbsCdADcoKQdMB2Uuk-T>
- Youku: http://list.youku.com/albumlist/show/id_50483438

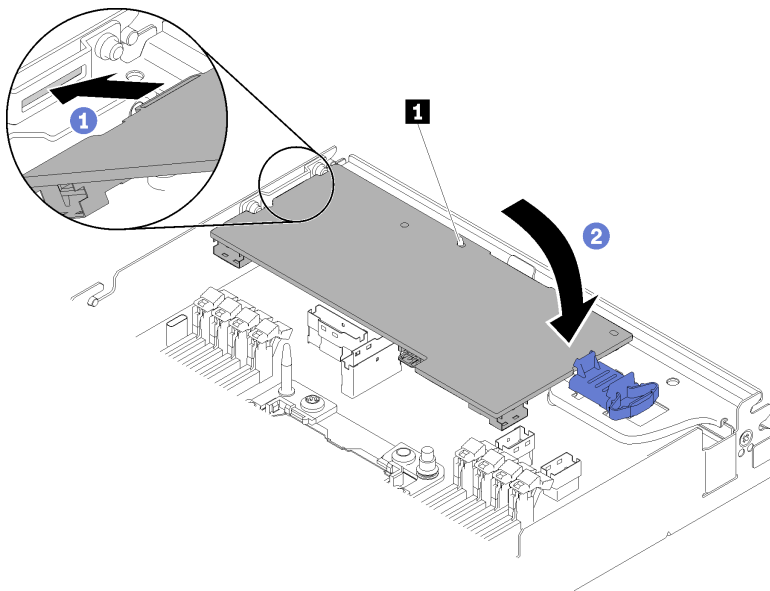


Figure 87. RAID adapter installation

- Step 1. Connect the PCIe cable and SAS/SATA cables (See “Internal cable routing” on page 36).
- Step 2. Insert the end of the adapter into the slot.
- Step 3. Align the adapter with the guide pin; then, lower and rotate down the adapter to insert it.

After you install a RAID adapter, complete the following steps.

1. If the air baffle is removed, reinstall it (see “Install the air baffle” on page 96).
2. Reinstall the compute node cover (see “Install the compute node cover” on page 97).
3. Reinstall the compute node (see “Install a compute node in the enclosure” on page 98).
4. Check the power LED to make sure it transitions between fast blink and slow blink to indicate the node is ready to be powered on.

Install an M.2 drive in the M.2 backplane

Use this information to install an M.2 drive in the M.2 backplane.

Before you install an M.2 drive in the M.2 backplane:

1. Read the following section(s) to ensure that you work safely.
 - “Installation Guidelines” on page 48
2. Turn off the corresponding compute node that you are going to perform the task on.
3. Remove the compute node (see “Remove a compute node from the enclosure” on page 72).
4. Remove the compute node cover (see “Remove the compute node cover” on page 73).
5. Remove the M.2 backplane (see “Remove the M.2 backplane” on page 74).

Complete the following steps to install an M.2 drive in the M.2 backplane.

Watch the procedure. A video of the installation process is available:

- Youtube: <https://www.youtube.com/playlist?list=PLYV5R7hVcs-DOlbsCdADcoKQdMB2Uuk-T>
- Youku: http://list.youku.com/albumlist/show/id_50483438

- Step 1. Locate the connector on each side of the M.2 backplane.

Notes:

- Some M.2 backplanes support two identical M.2 drives. When two drives are installed, align and support both drives when sliding the retainer forward to secure the drives.
- Install the M.2 drive in slot 0 first.

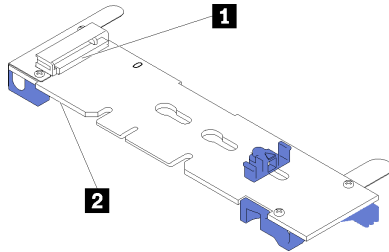


Figure 88. M.2 drive slot

Table 40. M.2 drive slot

1 Slot 0	2 Slot 1
-----------------	-----------------

Step 2. Insert the M.2 drive at an angle (approximately 30 degrees) into the connector and rotate it until the notch catches on the lip of the retainer; then, slide the retainer forward (toward the connector) to secure the M.2 drive in the M.2 backplane.

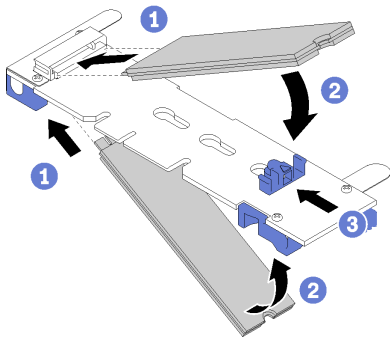


Figure 89. M.2 drive installation

Attention: When sliding the retainer forward, make sure the two nubs on the retainer enter the small holes on the M.2 backplane. Once they enter the holes, you will hear a soft “click” sound.

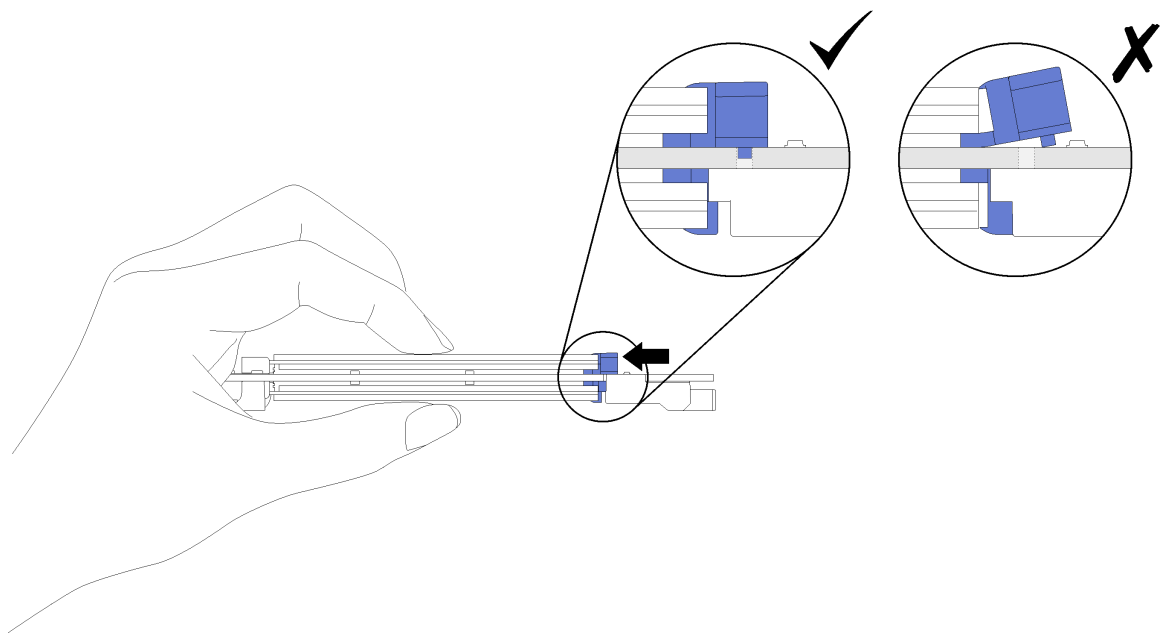


Figure 90. M.2 drive installation

After you install an M.2 drive in the M.2 backplane, complete the following steps:

1. Reinstall the M.2 backplane (see “Install the M.2 backplane” on page 91).
2. Reinstall the compute node cover (see “Install the compute node cover” on page 97).
3. Reinstall the compute node (see “Install a compute node in the enclosure” on page 98).
4. Check the power LED to make sure it transitions between fast blink and slow blink to indicate the node is ready to be powered on.

How to adjust the position of the retainer on the M.2 backplane

Use this information to adjust the position of the retainer on the M.2 backplane.

Before you adjust the position of the retainer on the M.2 backplane, complete the following steps:

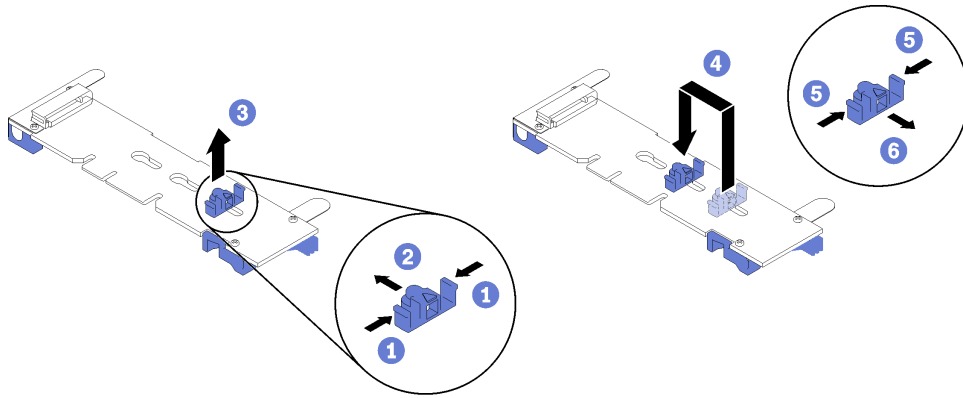
1. Read the following section(s) to ensure that you work safely.
 - “Installation Guidelines” on page 48

To adjust the position of the retainer on the M.2 backplane, complete the following steps.

Watch the procedure. A video of the installation process is available:

- Youtube: <https://www.youtube.com/playlist?list=PLYV5R7hVcs-DOlbsCdADcoKQdMB2Uuk-T>
- Youku: http://list.youku.com/albumlist/show/id_50483438

- Step 1. Locate the correct keyhole that the retainer should be installed into to accommodate the particular size of the M.2 drive you wish to install.
- Step 2. Press both sides of the retainer and move it forward until it is in the large opening of the keyhole; then, remove it from the backplane.
- Step 3. Insert the retainer into the correct keyhole and slide it backwards until the nubs are in the holes.



Install the M.2 backplane

Use this information to install the M.2 backplane.

Before you install the M.2 backplane:

1. Read the following section(s) to ensure that you work safely.
 - “Installation Guidelines” on page 48
2. Turn off the corresponding compute node that you are going to perform the task on.
3. Remove the compute node (see “Remove a compute node from the enclosure” on page 72).
4. Remove the compute node cover (see “Remove the compute node cover” on page 73).

Complete the following steps to install the M.2 backplane.

Watch the procedure. A video of the installation process is available:

- Youtube: <https://www.youtube.com/playlist?list=PLYV5R7hVcs-DOlbsCdADcoKQdMB2Uuk-T>
- Youku: http://list.youku.com/albumlist/show/id_50483438

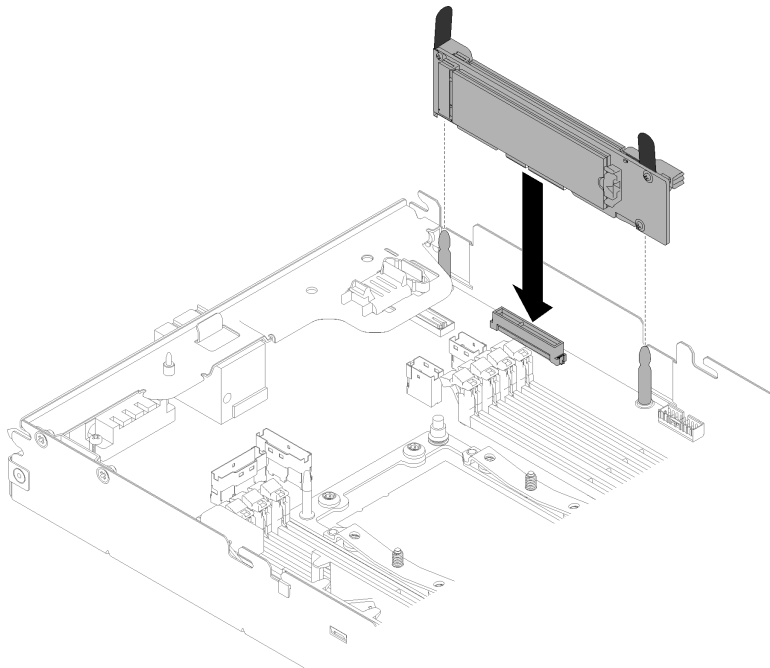


Figure 91. M.2 backplane installation

Step 1. Align the openings located at the bottom of the blue plastic supports at each end of the M.2 backplane with the guide pins on the system board; then, insert the backplane in the system board connector. Press down on the M.2 backplane to fully seat it.

After you install the M.2 backplane, complete the following steps:

1. If the air baffle is removed, reinstall it (see “Install the air baffle” on page 96).
2. Reinstall the compute node cover (see “Install the compute node cover” on page 97).
3. Reinstall the compute node (see “Install a compute node in the enclosure” on page 98).
4. Check the power LED to make sure it transitions between fast blink and slow blink to indicate the node is ready to be powered on.

Install a processor-heat-sink module

The processor and heat sink are removed together as part of a processor-heat-sink-module (PHM) assembly. PHM installation requires a Torx T30 driver.

Note: If you are installing multiple options relating to the compute system board, the PHM installation should be performed first.

Attention:

- Each processor socket must always contain a cover or a PHM. When removing or installing a PHM, protect empty processor sockets with a cover.
- Do not touch the processor socket or processor contacts. Processor-socket contacts are very fragile and easily damaged. Contaminants on the processor contacts, such as oil from your skin, can cause connection failures.
- Remove and install only one PHM at a time. If the system board supports multiple processors, install the PHMs starting with the first processor socket.
- Do not allow the thermal grease on the processor or heat sink to come in contact with anything. Contact with any surface can compromise the thermal grease, rendering it ineffective. Thermal grease can damage components, such as electrical connectors in the processor socket. Do not remove the grease cover from a heat sink until you are instructed to do so.

Notes:

- PHMs are keyed for the socket where they can be installed and for their orientation in the socket.
- See <http://www.lenovo.com/serverproven/> for a list of processors supported for your server. All processors on the system board must have the same speed, number of cores, and frequency.
- Before you install a new PHM or replacement processor, update your system firmware to the latest level. See “Update the firmware” on page 102.
- Installing an additional PHM can change the memory requirements for your system. See “Memory module installation” on page 82 for a list of processor-to-memory relationships.
- Optional devices available for your system might have specific processor requirements. See the documentation that comes with the optional device for information.
- There are two heat sinks for SD530: 85x108x24.5mm and 108x108x24.5mm heat sinks.

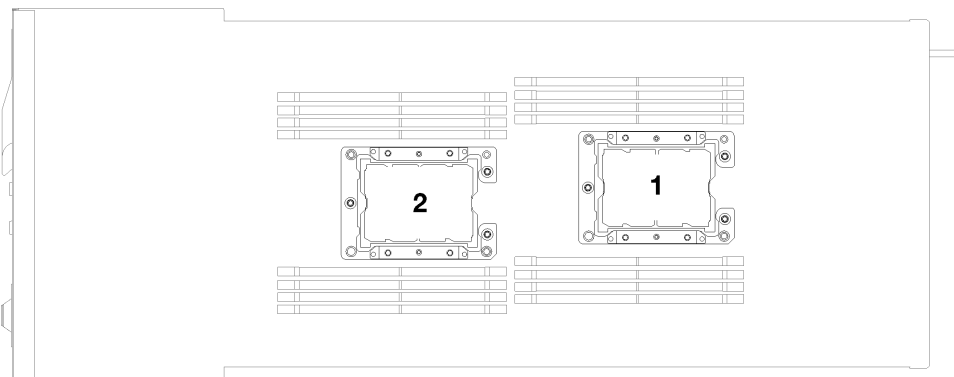


Figure 92. Processor locations

- 85x108x24.5mm heat sink: It can be installed on the processor 1 or 2.

Note: 85x108x24.5mm heat sink supports all Processor Option Kits.

- 108x108x24.5mm heat sink: It can be installed on the processor 1 only.

Important: The following processors with two-processor configuration can be installed with 108x108x24.5mm heat sink on the processor 1 only.

- Intel Xeon Platinum 8156 105W 3.6GHz Processor Option Kit
- Intel Xeon Platinum 8158 150W-165W Processor Option Kit
- Intel Xeon Platinum 8160 150W 2.1GHz Processor Option Kit
- Intel Xeon Platinum 8164 145W 2.0GHz Processor Option Kit
- Intel Xeon Platinum 8170 165W 2.1GHz Processor Option Kit
- Intel Xeon Platinum 8176 165W 2.1GHz Processor Option Kit
- Intel Xeon Gold 5122 105W 3.6GHz Processor Option Kit
- Intel Xeon Gold 6134 130W 3.2GHz Processor Option Kit
- Intel Xeon Gold 6126 125W 2.6GHz Processor Option Kit
- Intel Xeon Gold 6136 150W 3.0GHz Processor Option Kit
- Intel Xeon Gold 5120T 105W Processor Option Kit
- Intel Xeon Gold 6130T 125W 2.1GHz Processor Option Kit
- Intel Xeon Gold 6142 150W 2.6GHz Processor Option Kit
- Intel Xeon Gold 6140 140W 2.3GHz Processor Option Kit
- Intel Xeon Gold 6150 165W 2.7GHz Processor Option Kit
- Intel Xeon Gold 6138 125W 2.0GHz Processor Option Kit
- Intel Xeon Gold 6138T 125W 2.0GHz Processor Option Kit
- Intel Xeon Gold 6148 150W 2.4GHz Processor Option Kit
- Intel Xeon Gold 6152 140W 2.1GHz Processor Option Kit
- Intel Xeon Silver 4109T 70W 2.0GHz Processor Option Kit

Before installing a PHM:

Note: The PHM for your system might be different than the PHM shown in the illustrations.

1. Read the following section(s) to ensure that you work safely.
 - “Installation Guidelines” on page 48
2. Turn off the corresponding compute node that you are going to perform the task on.
3. Remove the compute node (see “Remove a compute node from the enclosure” on page 72).
4. Remove the compute node cover (see “Remove the compute node cover” on page 73).
5. Remove the air baffle (see “Remove the air baffle” on page 73).

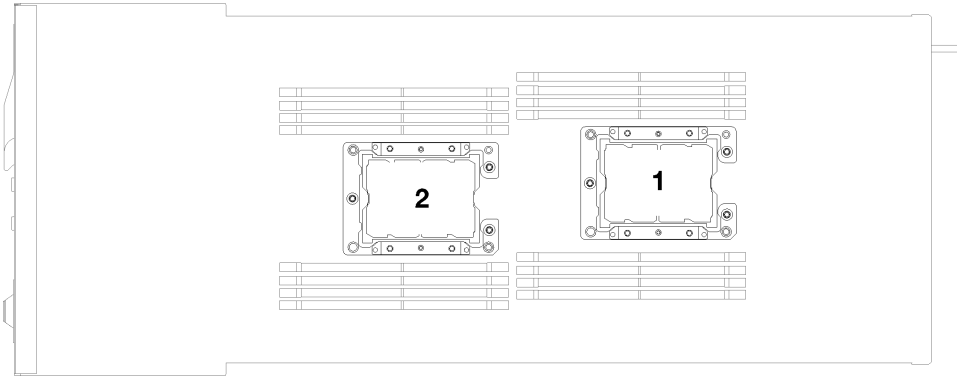


Figure 93. Processor locations

Complete the following steps to install a PHM.

Watch the procedure. A video of the installation process is available:

- Youtube: <https://www.youtube.com/playlist?list=PLYV5R7hVcs-DOlbsCdADcoKQdMB2Uuk-T>
- Youku: http://list.youku.com/albumlist/show/id_50483438

- Step 1. Remove the processor socket cover, if one is installed on the processor socket, by placing your fingers in the half-circles at each end of the cover and lifting it from the system board.
- Step 2. Install the processor-heat-sink module on the system board.

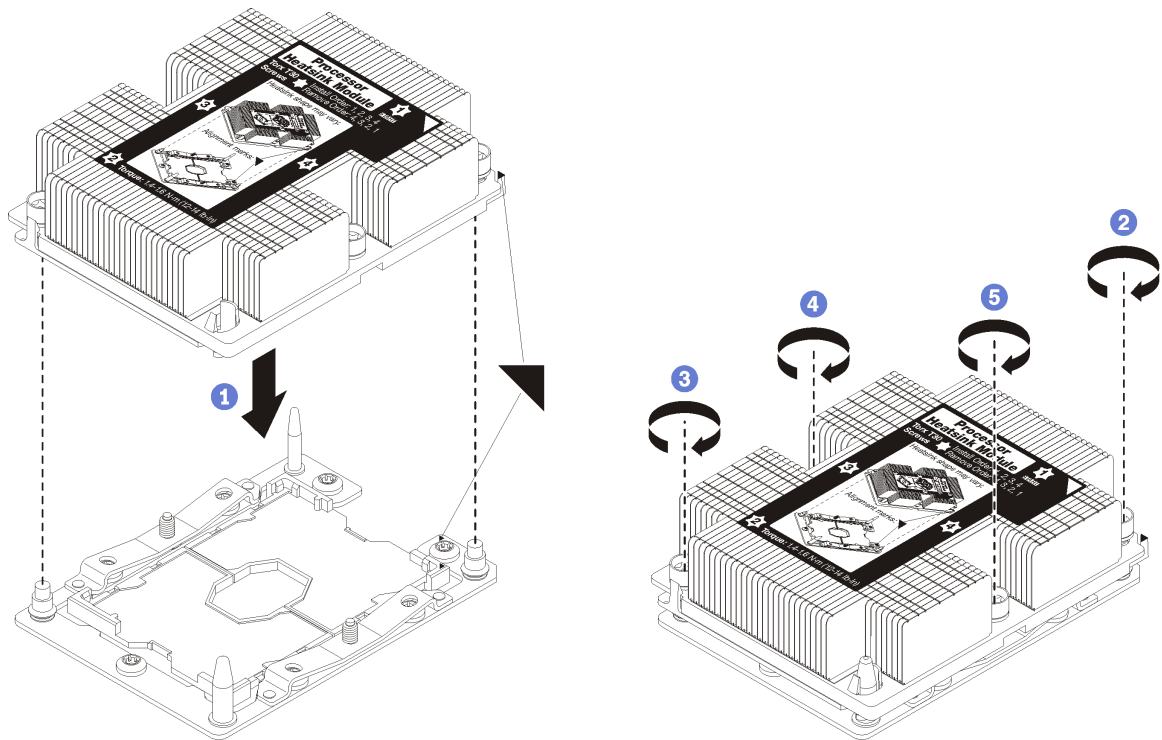


Figure 94. Installing a PHM

- a. Align the triangular marks and guide pins on the processor socket with the PHM; then, insert the PHM into the processor socket.

Attention: To prevent damage to components, make sure that you follow the indicated tightening sequence.

- b. Fully tighten the Torx T30 captive fasteners *in the installation sequence shown* on the heat-sink label. Tighten the screws until they stop; then, visually inspect to make sure that there is no gap between the screw shoulder beneath the heat sink and the processor socket. (For reference, the torque required for the nuts to fully tighten is 1.4 — 1.6 newton-meters, 12 — 14 inch-pounds).

After installing the PHM option:

1. If there are memory modules to install, install them. See “Install a DIMM” on page 85.
2. Reinstall the air baffle (see “Install the air baffle” on page 96).
3. Reinstall the compute node cover (see “Install the compute node cover” on page 97).
4. Reinstall the compute node (see “Install a compute node in the enclosure” on page 98).
5. Check the power LED to make sure it transitions between fast blink and slow blink to indicate the node is ready to be powered on.

Install the air baffle

Use this procedure to install the air baffle.

Before you install the air baffle:

1. Read the following section(s) to ensure that you work safely.
 - “Installation Guidelines” on page 48
2. Turn off the corresponding compute node that you are going to perform the task on.
3. Remove the compute node (see “Remove a compute node from the enclosure” on page 72).
4. Remove the compute node cover (see “Remove the compute node cover” on page 73).

Complete the following steps to install the air baffle.

Watch the procedure. A video of the installation process is available:

- Youtube: <https://www.youtube.com/playlist?list=PLYV5R7hVcs-DOIbsCdADcoKQdMB2Uuk-T>
- Youku: http://list.youku.com/albumlist/show/id_50483438

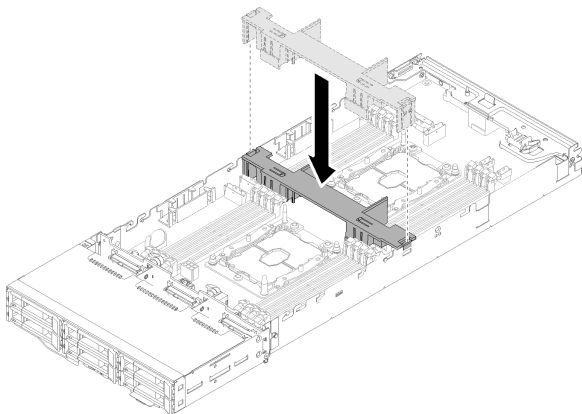


Figure 95. Air baffle installation

- Step 1. Align the air baffle tabs with the baffle slots on both sides of the chassis; then, lower the air baffle into the node. Press the air baffle down until it is securely seated.

Attention:

- For proper cooling and airflow, reinstall the air baffle before you turn on the node. Operating the node with the air baffle removed might damage node components.
- Pay attention to the cables routed along the sidewalls of the node as they may catch under the air baffle.

After you install the air baffle, complete the following steps.

1. Reinstall the compute node cover (see “Install the compute node cover” on page 97).
2. Reinstall the compute node (see “Install a compute node in the enclosure” on page 98).
3. Check the power LED to make sure it transitions between fast blink and slow blink to indicate the node is ready to be powered on.

Install the compute node cover

Use this procedure to install the compute node cover.

Before you install the compute node cover:

1. Read the following section(s) to ensure that you work safely.
 - “Installation Guidelines” on page 48
2. Turn off the corresponding compute node that you are going to perform the task on.
3. Make sure that all components are installed and seated correctly and that you have not left loose tools or parts inside the node.
4. Make sure that all internal cables are correctly routed. See “Internal cable routing” on page 36.
5. Remove the compute node (see “Remove a compute node from the enclosure” on page 72).

Complete the following steps to install the compute node cover.

Watch the procedure. A video of the installation process is available:

- Youtube: <https://www.youtube.com/playlist?list=PLYV5R7hVcs-DOlbsCdADcoKQdMB2Uuk-T>
- Youku: http://list.youku.com/albumlist/show/id_50483438

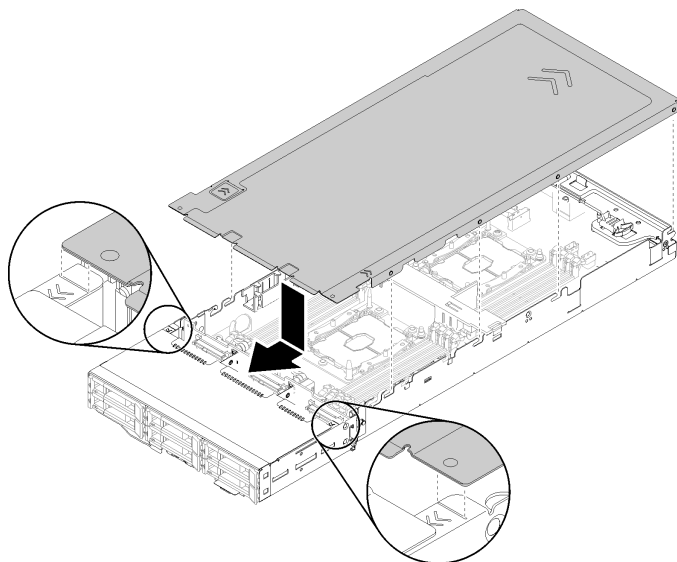


Figure 96. Compute node cover installation

Note: Before sliding the cover forward, make sure that all the tabs on the front, rear, and side of the cover engage the side walls correctly. If the pins do not engage the enclosure correctly, it will be very difficult to remove the cover next time.

Step 1. Align the cover pins with the notches in the side walls of the node, then, position the cover on top of the node.

Note: Align the front of the cover with lines in the node as shown in the illustration would help you to install the cover correctly.

Step 2. Slide the cover forward until the cover latches in place.

After you install the node cover, complete the following steps.

1. Reinstall the compute node (see “Install a compute node in the enclosure” on page 98).
2. Check the power LED to make sure it transitions between fast blink and slow blink to indicate the node is ready to be powered on.

Install a compute node in the enclosure

Use this procedure to install a compute node in the D2 Enclosure.

Before you install the compute node in a enclosure:

1. Read the following section(s) to ensure that you work safely.
 - “Installation Guidelines” on page 48

Attention: Be careful when you are removing or installing the node to avoid damaging the node connectors.

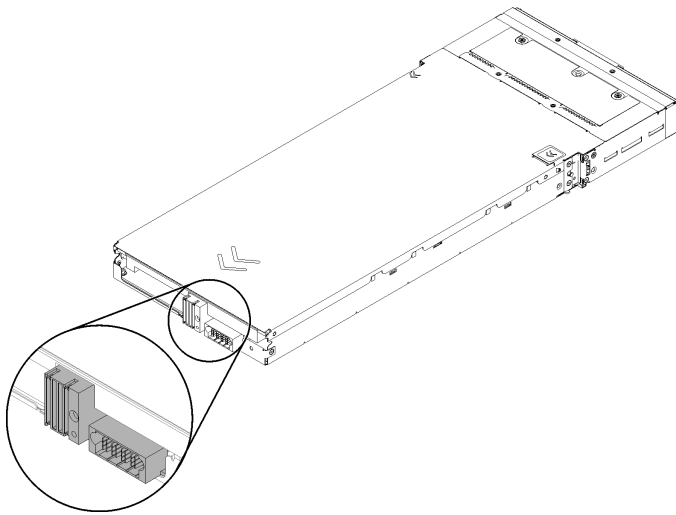


Figure 97. Node connectors

Complete the following steps to install the compute node in a enclosure.

Watch the procedure. A video of the installation process is available:

- Youtube: <https://www.youtube.com/playlist?list=PLYV5R7hVcs-DOlbsCdADcoKQdMB2Uuk-T>
- Youku: http://list.youku.com/albumlist/show/id_50483438

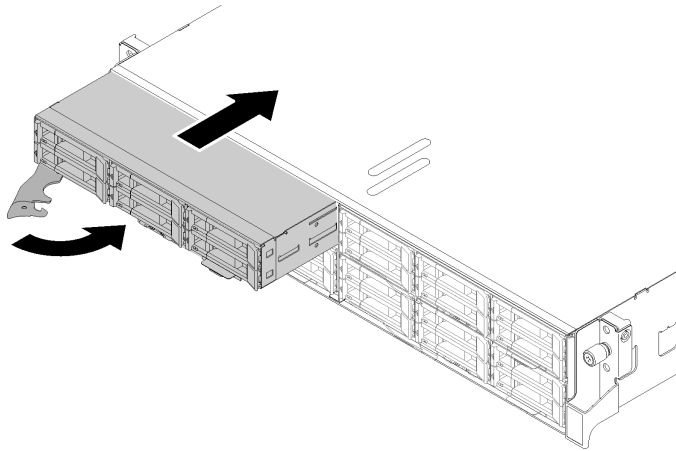


Figure 98. Node installation

Step 1. Select the node bay.

Note: If you are reinstalling a compute node that you removed, you must install it in the same node bay from which you removed it. Some compute node configuration information and update options are established according to node bay number. Reinstalling a compute node into a different node bay can have unintended consequences. If you reinstall the compute node into a different node bay, you might have to reconfigure the compute node.

Step 2. Make sure that the front handle on the compute node is in the fully open position.

Step 3. Slide the compute node into the node bay until it stops.

Step 4. Rotate the compute node handle to the fully closed position until the handle latch clicks.

Note: The time required for a compute node to initialize varies by system configuration. The power LED flashes rapidly; the power button on the compute node will not respond until the power LED flashes slowly, indicating that the initialization process is complete.

After you install a compute node, complete the following steps:

1. Check the power LED to make sure it transitions between fast blink and slow blink to indicate the node is ready to be powered on; then, power on the node.
2. Make sure that the power LED on the compute node control panel is lit continuously, indicating that the compute node is receiving power and is turned on.
3. If you have other compute nodes to install, do so now.
4. You can place identifying information on the pull out label tab that are accessible from the front of the node.

If this is the initial installation of the node in the enclosure, you must configure the node through the Lenovo XClarity Provisioning Manager and install the node operating system. See ThinkSystem D2 Enclosure and ThinkSystem SD530 Compute Node *Setup Guide* for details.

If you have changed the configuration of the compute node or if you are installing a different compute node from the one that you removed, you must configure the compute node through the Setup utility, and you might have to install the compute node operating system, please refer to ThinkSystem D2 Enclosure and ThinkSystem SD530 Compute Node *Setup Guide* for more details.

Install the enclosure in a rack

To install the enclosure in a rack, follow the instructions that are provided below.

To install the enclosure in a rack, follow the instructions that are provided in the Rail Installation Kit for the rails on which the enclosure will be installed.

Cable the solution

Attach all external cables to the solution. Typically, you will need to connect the solution to a power source, to the data network, and to storage. In addition, you will need to connect the solution to the management network.

Connect to power

Connect the solution to power.

Connect to the network

Connect the solution to the network.

Connect to storage

Connect the solution to any storage devices.

Power on the node

After the node performs a short self-test (power status LED flashes quickly) when connected to input power, it enters a standby state (power status LED flashes once per second).

The node can be turned on (power LED on) in any of the following ways:

- You can press the power button.
- The node can restart automatically after a power interruption.
- The node can respond to remote power-on requests sent to the Lenovo XClarity Controller.

For information about powering off the node, see “Power off the node” on page 100.

Validate solution setup

After powering up the solution, make sure that the LEDs are lit and that they are green.

Power off the node

The node remains in a standby state when it is connected to a power source, allowing the Lenovo XClarity Controller to respond to remote power-on requests. To remove all power from the node (power status LED off), you must disconnect all power cables.

To place the node in a standby state (power status LED flashes once per second):

Note: The Lenovo XClarity Controller can place the node in a standby state as an automatic response to a critical system failure.

- Start an orderly shutdown using the operating system (if supported by your operating system).
- Press the power button to start an orderly shutdown (if supported by your operating system).
- Press and hold the power button for more than 4 seconds to force a shutdown.

When in a standby state, the node can respond to remote power-on requests sent to the Lenovo XClarity Controller. For information about powering on the node, see “Power on the node” on page 100.

Chapter 4. System configuration

Complete these procedures to configure your system.

Set the network connection for the Lenovo XClarity Controller

Before you can access the Lenovo XClarity Controller over your network, you need to specify how Lenovo XClarity Controller will connect to the network. Depending on how the network connection is implemented, you might need to specify a static IP address as well.

The procedure for setting the network connection will depend on whether or not you have a video connection to the server.

- If a monitor is attached to the server, you can use Lenovo XClarity Controller to set the network connection.
- If no monitor attached to the server, you can set the network connection through the Lenovo XClarity Controller interface. Connect an Ethernet cable from your laptop to Lenovo XClarity Controller connector on the server.

Note: Make sure that you modify the IP settings on the laptop so that it is on the same network as the server default settings.

The default IPv4 address and the IPv6 Link Local Address (LLA) is provided on the Lenovo XClarity Controller Network Access label that is affixed to the Pull Out Information Tab.

Important: The Lenovo XClarity Controller is set initially with a user name of USERID and password of PASSWORD (with a zero, not the letter O). This default user setting has Supervisor access. Change this user name and password during your initial configuration for enhanced security.

You can use the Lenovo XClarity Administrator Mobile app to connect to the Lenovo XClarity Controller interface and configure the network address. For additional information about the Mobile app, see the following site:

http://sysmgt.lenovofiles.com/help/topic/com.lenovo.lxca.doc/lxca_usemobileapp.html

Complete the following steps to connect the Lenovo XClarity Controller to the network using the Lenovo XClarity Provisioning Manager.

Step 1. Start the server.

Step 2. When you see <F1> Setup, press F1.

Step 3. Specify how the Lenovo XClarity Controller will connect to the network.

- If you choose a static IP connection, make sure that you specify an IPv4 or IPv6 address that is available on the network.
- If you choose a DHCP connection, make sure that the MAC address for the server has been configured in the DHCP server.

Step 4. Click **OK** to continue starting the server.

Enable System Management Module network connection via Lenovo XClarity Controller

If there is no KVM breakout module to access Lenovo XClarity Controller logs in your system, please enable System Management Module network connection via XCC first. For more information, please *System Management Module User's Guide*.

Update the firmware

Several options are available to update the firmware for the solution.

You can use the tools listed here to update the most current firmware for your solution and the devices that are installed in the solution.

Note: Lenovo typically releases firmware in bundles called UpdateXpress System Packs (UXSPs). To ensure that all of the firmware updates are compatible, you should update all firmware at the same time. If you are updating firmware for both the Lenovo XClarity Controller and UEFI, update the firmware for Lenovo XClarity Controller first.

Important terminology

- **In-band update.** The installation or update is performed using a tool or application within an operating system that is executing on the node's core CPU.
- **Out-of-band update.** The installation or update is performed by the Lenovo XClarity Controller collecting the update and then directing the update to the target subsystem or device. Out-of-band updates have no dependency on an operating system executing on the core CPU. However, most out-of-band operations do require the solution to be in the S0 (Working) power state.
- **On-Target update.** The installation or update is initiated from an Operating System executing on the solution's operating system.
- **Off-Target update.** The installation or update is initiated from a computing device interacting directly with the solution's Lenovo XClarity Controller.
- **UpdateXpress System Packs (UXSPs).** UXSPs are bundled updates designed and tested to provide the interdependent level of functionality, performance, and compatibility. UXSPs are server machine-type specific and are built (with firmware and device driver updates) to support specific Windows Server, Red Hat Enterprise Linux (RHEL) and SUSE Linux Enterprise Server (SLES) operating system distributions. Machine-type-specific firmware-only UXSPs are also available.

See the following table to determine the best Lenovo tool to use for installing and setting up the firmware:

Tool	In-band update	Out-of-band update	On-target update	Off-target update	Graphical user interface	Command-line interface	Supports UXSPs
Lenovo XClarity Provisioning Manager Limited to core system firmware only.	✓			✓	✓		✓
Lenovo XClarity Controller Supports core system firmware and most advanced I/O option firmware updates		✓		✓	✓	✓	
Lenovo XClarity Essentials OneCLI Supports all core system firmware, I/O firmware, and installed operating system driver updates	✓	✓				✓	✓
Lenovo XClarity Essentials UpdateXpress Supports all core system firmware, I/O firmware, and installed operating system driver updates	✓	✓			✓		✓
Lenovo XClarity Administrator Supports core system firmware and I/O firmware updates	✓	✓		✓	✓		

The latest firmware can be found at the following site:

<http://datacentersupport.lenovo.com/products/servers/thinksystem/sd530/7X21/downloads>

- **Lenovo XClarity Provisioning Manager**

From Lenovo XClarity Provisioning Manager, you can update the Lenovo XClarity Controller firmware, the UEFI firmware, and the Lenovo XClarity Provisioning Manager software.

Note: By default, the Lenovo XClarity Provisioning Manager Graphical User Interface is displayed when you press F1. If you have changed that default to be the text-based system setup, you can bring up the Graphical User Interface from the text-based system setup interface.

Additional information about using Lenovo XClarity Provisioning Manager to update firmware is available at:

http://sysmgt.lenovofiles.com/help/topic/LXPM/platform_update.html

- **Lenovo XClarity Controller**

If you need to install a specific update, you can use the Lenovo XClarity Controller interface for a specific solution.

Notes:

- To perform an in-band update through Windows or Linux, the operating system driver must be installed and the Ethernet-over-USB (sometimes called LAN over USB) interface must be enabled.

Additional information about configuring Ethernet over USB is available at:

http://sysmgt.lenovofiles.com/help/topic/com.lenovo.systems.management.xcc.doc/NN1ia_c_configuringUSB.html

- If you update firmware through the Lenovo XClarity Controller, make sure that you have downloaded and installed the latest device drivers for the operating system that is running on the solution.

Specific details about updating firmware using Lenovo XClarity Controller are available at:

http://sysmgt.lenovofiles.com/help/topic/com.lenovo.systems.management.xcc.doc/NN1ia_c_manageserverfirmware.html

- **Lenovo XClarity Essentials OneCLI**

Lenovo XClarity Essentials OneCLI is a collection of command line applications that can be used to manage Lenovo servers. Its update application can be used to update firmware and device drivers for your solutions. The update can be performed within the host operating system of the solution (in-band) or remotely through the BMC of the solution (out-of-band).

Specific details about updating firmware using Lenovo XClarity Essentials OneCLI is available at:

http://sysmgt.lenovofiles.com/help/topic/toolsctr_cli_lenovo/onecli_c_update.html

- **Lenovo XClarity Essentials UpdateXpress**

Lenovo XClarity Essentials UpdateXpress provides most of OneCLI update functions through a graphical user interface (GUI). It can be used to acquire and deploy UpdateXpress System Pack (UXSP) update packages and individual updates. UpdateXpress System Packs contain firmware and device driver updates for Microsoft Windows and for Linux.

You can obtain Lenovo XClarity Essentials UpdateXpress from the following location:

<https://datacentersupport.lenovo.com/us/en/solutions/ht503692>

- **Lenovo XClarity Administrator**

If you are managing multiple servers using the Lenovo XClarity Administrator, you can update firmware for all managed servers through that interface. Firmware management is simplified by assigning firmware-compliance policies to managed endpoints. When you create and assign a compliance policy to managed endpoints, Lenovo XClarity Administrator monitors changes to the inventory for those endpoints and flags any endpoints that are out of compliance.

Specific details about updating firmware using Lenovo XClarity Administrator are available at:

http://sysmgt.lenovofiles.com/help/topic/com.lenovo.lxca.doc/update_fw.html

Configure the firmware

Several options are available to install and set up the firmware for the solution.

- **Lenovo XClarity Provisioning Manager**

From Lenovo XClarity Provisioning Manager, you can configure the UEFI settings for your solution.

Note: The Lenovo XClarity Provisioning Manager provides a Graphical User Interface to configure a solution. The text-based interface to system configuration (the Setup Utility) is also available. From Lenovo XClarity Provisioning Manager, you can choose to restart the solution and access the text-based

interface. In addition, you can choose to make the text-based interface the default interface that is displayed when you press F1.

- **Lenovo XClarity Essentials OneCLI**

You can use the config application and commands to view the current system configuration settings and make changes to Lenovo XClarity Controller and UEFI. The saved configuration information can be used to replicate or restore other systems.

For information about configuring the solution using Lenovo XClarity Essentials OneCLI, see:

http://sysmgt.lenovofiles.com/help/topic/toolsctr_cli_lenovo/onecli_c_settings_info_commands.html

- **Lenovo XClarity Administrator**

You can quickly provision and pre-provision all of your solutions using a consistent configuration. Configuration settings (such as local storage, I/O adapters, boot settings, firmware, ports, and Lenovo XClarity Controller and UEFI settings) are saved as a solution pattern that can be applied to one or more managed solutions. When the solution patterns are updated, the changes are automatically deployed to the applied solutions.

Specific details about updating firmware using Lenovo XClarity Administrator are available at:

http://sysmgt.lenovofiles.com/help/topic/com.lenovo.lxca.doc/server_configuring.html

- **Lenovo XClarity Controller**

You can configure the management processor for the solution through the Lenovo XClarity Controller Web interface or through the command-line interface.

For information about configuring the solution using Lenovo XClarity Controller, see:

http://sysmgt.lenovofiles.com/help/topic/com.lenovo.systems.management.xcc.doc/NN1ia_c_manageserverfirmware.html

Memory configuration

Memory performance depends on several variables, such as memory mode, memory speed, memory ranks, memory population and processor.

More information about optimizing memory performance and configuring memory is available at the Lenovo Press website:

<https://lenovopress.com/servers/options/memory>

In addition, you can take advantage of a memory configurator, which is available at the following site:

http://lsec.lenovo.com/ss/#/memory_configuration

RAID configuration

Using a Redundant Array of Independent Disks (RAID) to store data remains one of the most common and cost-efficient methods to increase node's storage performance, availability, and capacity.

RAID increases performance by allowing multiple drives to process I/O requests simultaneously. RAID can also prevent data loss in case of a drive failure by reconstructing (or rebuilding) the missing data from the failed drive using the data from the remaining drives.

RAID array (also known as RAID drive group) is a group of multiple physical drives that uses a certain common method to distribute data across the drives. A virtual drive (also known as virtual disk or logical drive) is a partition in the drive group that is made up of contiguous data segments on the drives. Virtual drive

is presented up to the host operating system as a physical disk that can be partitioned to create OS logical drives or volumes.

An introduction to RAID is available at the following Lenovo Press website:

<https://lenovopress.com/lp0578-lenovo-raid-introduction>

Detailed information about RAID management tools and resources is available at the following Lenovo Press website:

<https://lenovopress.com/lp0579-lenovo-raid-management-tools-and-resources>

Install the operating system

Several options are available to install an operating system on the solution.

- **Lenovo XClarity Administrator**

If you are managing your solution using Lenovo XClarity Administrator, you can use it to deploy operating-system images to up to 28 managed servers concurrently. For more information about using Lenovo XClarity Administrator to deploy operating system images, see:

http://sysmgt.lenovofiles.com/help/topic/com.lenovo.lxca.doc/compute_node_image_deployment.html

- **Lenovo XClarity Provisioning Manager**

Lenovo XClarity Provisioning Manager is used to install operating system of single solution. You can complete operating system installation by following the instructions in Lenovo XClarity Provisioning Manager OS Installation function.

- **Install the operating system manually**

If you cannot install the operating system through Lenovo XClarity Administrator or Lenovo XClarity Provisioning Manager, you can install the operating system manually. For more information about installing a specific operating system:

1. Go to <http://datacentersupport.lenovo.com> and navigate to the support page for your solution.
2. Click **How-tos & Solutions**.
3. Select an operating system and the installation instructions will be displayed.

Back up the solution configuration

After setting up the solution or making changes to the configuration, it is a good practice to make a complete backup of the solution configuration.

Make sure that you create backups for the following solution components:

- **Management processor**

You can back up the management processor configuration through the Lenovo XClarity Controller interface. For details about backing up the management processor configuration, see:

http://sysmgt.lenovofiles.com/help/topic/com.lenovo.systems.management.xcc.doc/NN1ia_c_backupthexcc.html

Alternatively, you can use the **save** command from Lenovo XClarity Essentials OneCLI to create a backup of all configuration settings. For more information about the **save** command, see:

http://sysmgt.lenovofiles.com/help/topic/toolsctr_cli_lenovo/onecli_r_save_command.html

- **Operating system**

Use your own operating-system and user-data backup methods to back up the operating system and user data for the solution.

Chapter 5. Resolving installation issues

Use this information to resolve issues that you might have when setting up your system.

Use the information in this section to diagnose and resolve problems that you might encounter during the initial installation and setup of your solution.

- “Solution does not power on” on page 109
- “The solution immediately displays the POST Event Viewer when it is turned on” on page 109
- “Solution cannot recognize a drive” on page 109
- “Displayed system memory less than installed physical memory” on page 110
- “A Lenovo optional device that was just installed does not work.” on page 110
- “Voltage planar fault is displayed in the event log” on page 111

Solution does not power on

Complete the following steps until the problem is resolved:

1. Check XCC web page can be logged in via out-of-band network interface.
2. Check the power button LED. If the power button LED is flashing slowly, press the power button to turn on the solution.
3. Check power supplies are installed correctly and power supply LEDs are lit normally.
4. If the error recurs, check FFDC logs for more details.

The solution immediately displays the POST Event Viewer when it is turned on

Complete the following steps until the problem is solved.

1. Correct any errors that are indicated by the light path diagnostics LEDs.
2. Make sure that the solution supports all the processors and that the processors match in speed and cache size.

You can view processor details from system setup.

To determine if the processor is supported for the solution, see <http://www.lenovo.com/serverproven/>.

3. (Trained technician only) Make sure that processor 1 is seated correctly
4. (Trained technician only) Remove processor 2 and restart the solution.
5. Replace the following components one at a time, in the order shown, restarting the solution each time:
 - a. (Trained technician only) Processor
 - b. (Trained technician only) System board

Solution cannot recognize a drive

Complete the following steps until the problem is solved.

1. Verify that the drive is supported for the solution. See <http://www.lenovo.com/serverproven/> for a list of supported hard drives.
2. Make sure that the drive is seated in the drive bay properly and that there is no physical damage to the drive connectors.
3. Run the diagnostics tests for the SAS/SATA adapter and drives. When you start a solution and press F1, the Lenovo XClarity Provisioning Manager interface is displayed by default. You can perform hard drive diagnostics from this interface. From the Diagnostic page, click **Run Diagnostic → HDD test**.

Based on those tests:

- If the adapter passes the test but the drives are not recognized, replace the backplane signal cable and run the tests again.
- Replace the backplane.
- If the adapter fails the test, disconnect the backplane signal cable from the adapter and run the tests again.
- If the adapter fails the test, replace the adapter.

Displayed system memory less than installed physical memory

Complete the following steps until the problem is resolved:

Note: Each time you install or remove a DIMM, you must disconnect the solution from the power source; then, wait 10 seconds before restarting the solution.

1. Make sure that:
 - No error LEDs are lit on the operator information panel.
 - Memory mirrored channel does not account for the discrepancy.
 - The memory modules are seated correctly.
 - You have installed the correct type of memory.
 - If you changed the memory, you updated the memory configuration in the Setup utility.
 - All banks of memory are enabled. The solution might have automatically disabled a memory bank when it detected a problem, or a memory bank might have been manually disabled.
 - There is no memory mismatch when the solution is at the minimum memory configuration.
2. Reseat the DIMMs, and then restart the solution.
3. Check the POST error log:
 - If a DIMM was disabled by a systems-management interrupt (SMI), replace the DIMM.
 - If a DIMM was disabled by the user or by POST, reseat the DIMM; then, run the Setup utility and enable the DIMM.
4. Run memory diagnostics. When you start a solution and press F1, the Lenovo XClarity Provisioning Manager interface is displayed by default. You can perform memory diagnostics from this interface. From the Diagnostic page, click **Run Diagnostic → Memory test**.
5. Reverse the DIMMs between the channels (of the same processor), and then restart the solution. If the problem is related to a DIMM, replace the failing DIMM.
6. Re-enable all DIMMs using the Setup utility, and then restart the solution.
7. (Trained technician only) Install the failing DIMM into a DIMM connector for processor 2 (if installed) to verify that the problem is not the processor or the DIMM connector.
8. (Trained technician only) Replace the system board.

A Lenovo optional device that was just installed does not work.

1. Make sure that:
 - The device is supported for the solution (see <http://www.lenovo.com/serverproven/>).
 - You followed the installation instructions that came with the device and the device is installed correctly.
 - You have not loosened any other installed devices or cables.
 - You updated the configuration information in the Setup utility. Whenever memory or any other device is changed, you must update the configuration.
2. Reseat the device that you just installed.

3. Replace the device that you just installed.

Voltage planar fault is displayed in the event log

Complete the following steps until the problem is solved.

1. Revert the system to the minimum configuration. See “Specifications” on page 6 for the minimally required number of processors and DIMMs.
2. Restart the system.
 - If the system restarts, add each of the items that you removed one at a time, restarting the system each time, until the error occurs. Replace the item for which the error occurs.
 - If the system does not restart, suspect the system board.

Appendix A. Getting help and technical assistance

If you need help, service, or technical assistance or just want more information about Lenovo products, you will find a wide variety of sources available from Lenovo to assist you.

On the World Wide Web, up-to-date information about Lenovo systems, optional devices, services, and support are available at:

<http://datacentersupport.lenovo.com>

Note: This section includes references to IBM web sites and information about obtaining service. IBM is Lenovo's preferred service provider for ThinkSystem.

Before you call

Before you call, there are several steps that you can take to try and solve the problem yourself. If you decide that you do need to call for assistance, gather the information that will be needed by the service technician to more quickly resolve your problem.

Attempt to resolve the problem yourself

You can solve many problems without outside assistance by following the troubleshooting procedures that Lenovo provides in the online help or in the Lenovo product documentation. The Lenovo product documentation also describes the diagnostic tests that you can perform. The documentation for most systems, operating systems, and programs contains troubleshooting procedures and explanations of error messages and error codes. If you suspect a software problem, see the documentation for the operating system or program.

You can find the product documentation for your ThinkSystem products at the following location:

<http://thinksystem.lenovofiles.com/help/index.jsp>

You can take these steps to try to solve the problem yourself:

- Check all cables to make sure that they are connected.
- Check the power switches to make sure that the system and any optional devices are turned on.
- Check for updated software, firmware, and operating-system device drivers for your Lenovo product. The Lenovo Warranty terms and conditions state that you, the owner of the Lenovo product, are responsible for maintaining and updating all software and firmware for the product (unless it is covered by an additional maintenance contract). Your service technician will request that you upgrade your software and firmware if the problem has a documented solution within a software upgrade.
- If you have installed new hardware or software in your environment, check <http://www.lenovo.com/serverproven/> to make sure that the hardware and software is supported by your product.
- Go to <http://datacentersupport.lenovo.com> and check for information to help you solve the problem.
 - Check the Lenovo forums at https://forums.lenovo.com/t5/Datacenter-Systems/ct-p/sv_eg to see if someone else has encountered a similar problem.

You can solve many problems without outside assistance by following the troubleshooting procedures that Lenovo provides in the online help or in the Lenovo product documentation. The Lenovo product documentation also describes the diagnostic tests that you can perform. The documentation for most systems, operating systems, and programs contains troubleshooting procedures and explanations of error

messages and error codes. If you suspect a software problem, see the documentation for the operating system or program.

Gathering information needed to call Support

If you believe that you require warranty service for your Lenovo product, the service technicians will be able to assist you more efficiently if you prepare before you call. You can also see <http://datacentersupport.lenovo.com/warrantylookup> for more information about your product warranty.

Gather the following information to provide to the service technician. This data will help the service technician quickly provide a solution to your problem and ensure that you receive the level of service for which you might have contracted.

- Hardware and Software Maintenance agreement contract numbers, if applicable
- Machine type number (Lenovo 4-digit machine identifier)
- Model number
- Serial number
- Current system UEFI and firmware levels
- Other pertinent information such as error messages and logs

As an alternative to calling Lenovo Support, you can go to <https://www-947.ibm.com/support/servicerequest/Home.action> to submit an Electronic Service Request. Submitting an Electronic Service Request will start the process of determining a solution to your problem by making the pertinent information available to the service technicians. The Lenovo service technicians can start working on your solution as soon as you have completed and submitted an Electronic Service Request.

Collecting service data

To clearly identify the root cause of a solution issue or at the request of Lenovo Support, you might need collect service data that can be used for further analysis. Service data includes information such as event logs and hardware inventory.

Service data can be collected through the following tools:

- **Lenovo XClarity Provisioning Manager**

Use the Collect Service Data function of Lenovo XClarity Provisioning Manager to collect system service data. You can collect existing system log data or run a new diagnostic to collect new data.

- **Lenovo XClarity Controller**

You can use the Lenovo XClarity Controller web interface or the CLI to collect service data for the solution. The file can be saved and sent to Lenovo Support.

- For more information about using the web interface to collect service data, see http://sysmgt.lenovofiles.com/help/topic/com.lenovo.systems.management.xcc.doc/NN1ia_c_servicesandsupport.html.
- For more information about using the CLI to collect service data, see http://sysmgt.lenovofiles.com/help/topic/com.lenovo.systems.management.xcc.doc/nn1ia_r_ffdcommand.html.

- **Lenovo XClarity Administrator**

Lenovo XClarity Administrator can be set up to collect and send diagnostic files automatically to Lenovo Support when certain serviceable events occur in Lenovo XClarity Administrator and the managed endpoints. You can choose to send diagnostic files to Lenovo Support using Call Home or to another service provider using SFTP. You can also manually collect diagnostic files, open a problem record, and send diagnostic files to the Lenovo Support Center.

You can find more information about setting up automatic problem notification within the Lenovo XClarity Administrator at http://sysmgt.lenovofiles.com/help/topic/com.lenovo.lxca.doc/admin_setupcallhome.html.

- **Lenovo XClarity Essentials OneCLI**

Lenovo XClarity Essentials OneCLI has inventory application to collect service data. It can run both in-band and out-of-band. When running in-band within the host operating system on the solution, OneCLI can collect information about the operating system, such as the operating system event log, in addition to the hardware service data.

To obtain service data, you can run the **getinfor** command. For more information about running the **getinfor**, see http://sysmgt.lenovofiles.com/help/topic/toolstr_cli_lenovo/onecli_r_getinfor_command.html.

Contacting Support

You can contact Support to obtain help for your issue.

You can receive hardware service through a Lenovo Authorized Service Provider. To locate a service provider authorized by Lenovo to provide warranty service, go to <https://datacentersupport.lenovo.com/us/en/serviceprovider> and use filter searching for different countries. For Lenovo support telephone numbers, see <https://datacentersupport.lenovo.com/us/en/supportphonenumberlist>. In the U.S. and Canada, call 1-800-426-7378.

In the U.S. and Canada, hardware service and support is available 24 hours a day, 7 days a week. In the U.K., these services are available Monday through Friday, from 9 a.m. to 6 p.m.

China product support

To contact product support in China, go to:
<http://support.lenovo.com.cn/lenovo/wsi/es/ThinkSystem.html>

You can also call 400-106-8888 for product support. The call support is available Monday through Friday, from 9 a.m. to 6 p.m.

Taiwan product support

To contact product support for Taiwan, call 0800-016-888. The call support is available 24 hours a day, 7 days a week.

Index

2.5-inch hot-swap drive backplanes
introduction 30

A

a low-profile PCIe x16 adapter, installation 58
a low-profile PCIe x8 adapter, installation 61
a low-profile PCIe x8adapter in PCIe slot 3-B and 4-B,
installation 62
a RAID adapter, installation 87
ac power LED 24
air baffle
removing 73
replacing 96
an M.2 drive in the M.2 backplane
installation 88
removal 75

B

back up the solution configuration 106
button, presence detection 23

C

cable management arm
install 55
cable routing
four 2.5-inch drive cable routing 36
KVM breakout module 44
six 2.5-inch drive cable routing 38, 41
cable the solution 100
check log LED 21
collecting service data 114
Common installation issues 109
compute node
installing 98
removing 72
compute node cover
installing 97
Configuration - ThinkSystem D2 Enclosure and
ThinkSystem SD530 Compute Node 101
configure the firmware 104
connector
USB 21
connectors
Ethernet 24
front of solution 21
internal 27
on the rear of the enclosure 24
power supply 24
rear 24
USB 24
video 24
connectors, internal system board 27
controls and LEDs
on the node operator panel 23
cover
installing 97
removing 73
CPU
option install 93
creating a personalized support web page 113
custom support web page 113

D

dc power LED 24
devices, static-sensitive
handling 50
dimm
install 82
DIMM installation order 84
DIMM, install 85
drive
activity LED 21
installing 80
status LED 21
drive backplane, installation 81
DVD
drive activity LED 21
drive DVD LED 21
eject button 21

E

EIOM card, installation 56
EIOM card, removal 53
enclosure options
installing 51
enclosure rear view 24
Ethernet 24
link status LED 24
Ethernet activity
LED 23-24
Ethernet connector 24

F

features 4
filler, node bay 98
firmware updates 1
four 2.5-inch drive cable routing 36
front view
connectors 21
LED location 21
front view of the solution 21

G

Getting help 113
guidelines
options installation 48
system reliability 49

H

handling static-sensitive devices 50
hardware options
installing 50
hardware service and support telephone numbers 115
help 113
hot-swap power supply, install 63

I

install

- a low-profile PCIe x16 adapter 58
- a low-profile PCIe x8 adapter 61
- a low-profile PCIe x8 adapter in PCIe slot 3-B and 4-B 62
- a RAID adapter 87
- an M.2 drive in the M.2 backplane 88
- cable management arm 55
- dimmm 82
- DIMM 85
- drive backplane 81
- EIOM card 56
- hot-swap power supply 63
- KVM breakout module 76
- M.2 backplane 91
- memory 82
- shuttle 70
- SMM assembly 65
- SMM battery 66
- SMM USB flash drive 68
- System Management Module assembly 65
- USB flash drive 68
- install enclosure in a rack 99
- install the operating system 106
- installation 1, 70
 - guidelines 48
- installation guidelines 48
- installing
 - compute node 98
 - compute node cover 97
 - drive 80
 - enclosure options 51
 - node options 72
- internal cable routing 36
- internal connectors 27
- internal, system board connectors 27
- introduction 1

J

- jumpers
 - system board 28

K

- KVM breakout cable 30
- KVM breakout module cable routing 44
- KVM breakout module, install 76

L

- LED
 - ac power 24
 - dc power 24
 - drive activity 21
 - drive status 21
 - DVD drive activity 21
 - Ethernet activity 23–24
 - Ethernet-link status 24
 - power supply error 24
 - power-on 23
 - system information 23
 - system locator 23
 - system-error 23
- LEDs
 - front of solution 21
 - node operator panel 23
- locator LED 21

M

- M.2 backplane
 - installation 91
 - removal 74
- management options 12
- memory
 - install 82
 - UDIMM 82
- memory configuration 105
- memory module installation order 84
- microprocessor
 - option install 93

N

- NMI button 24
- node bay filler 98
- node operator panel
 - controls and LEDs 23
 - LEDs 23
- node options
 - installing 72

O

- online documentation 1
- option install
 - CPU 93
 - microprocessor 93
 - PHM 93
 - processor 93
 - processor-heat-sink module 93

P

- parts list 31
- PCI
 - slot 1 24
 - slot 2 24
- PCIe 3.0 x16 LEDs 27
- PHM
 - option install 93
- power
 - power-control button 21
- power cords 36
- power off the node 100
- power on the node 100
- power-control button 21
- power-on LED 23
- presence detection button 23
- processor
 - option install 93
- processor-heat-sink module
 - option install 93

R

- rear view 24, 26–27
 - of the enclosure 24
 - PCIe 3.0 x16 LEDs 27
 - System Management Module 26
- remove
 - an M.2 drive in the M.2 backplane 75
 - EIOM card 53
 - M.2 backplane 74
 - shuttle 51
 - SMM assembly 54
 - System Management Module assembly 54

- removing
 - air baffle 73
 - compute node 72
 - compute node cover 73
- replacing
 - air baffle 96
- reset button 21
- retainer on M.2 backplane
 - adjustment 90

S

- sd350
 - introduction 1
- service and support
 - before you call 113
 - hardware 115
 - software 115
- service data 114
- shuttle, removal 51
- six 2.5-inch drive cable routing 38
 - NVMe supported 41
- SMM assembly, install 65
- SMM assembly, remove 54
- SMM battery, install 66
- SMM USB flash drive, installation 68
- software 19
- software service and support telephone numbers 115
- solution setup 47
- solution setup checklist 47
- solution, front view 21
- static-sensitive devices
 - handling 50
- support web page, custom 113
- SW1 switch block description 28
- switch block 28
- switches
 - system board 28
- system
 - error LED front 23
 - information LED 23
 - locator LED, front 23
- system board
 - internal connectors 27
 - layout 27
 - switches and jumpers 28
- system board internal connectors 27
- system board layout 27
- System configuration - ThinkSystem D2 Enclosure and ThinkSystem SD530 Compute Node 101
- System Management Module 26
- System Management Module assembly, install 65
- System Management Module assembly, remove 54
- system reliability guidelines 49
- system-error LED 21

T

- telephone numbers 115
- top cover
 - removing 73

U

- UDIMM
 - requirement 82
- Unbuffered DIMM 82
- update the firmware 102
- USB
 - connector 21, 24

- USB flash drive, installation 68

V

- validate solution setup 100
- video connector
 - rear 24

W

- working inside the solution
 - power on 49



Part Number: SP47A24235

Printed in China

(1P) P/N: SP47A24235

