

A solid green vertical bar is positioned on the left side of the page, partially overlapping the text area.

Quick Start Guide

8/16-19" LCD KVM Switch

GCL1908 / GCL1916

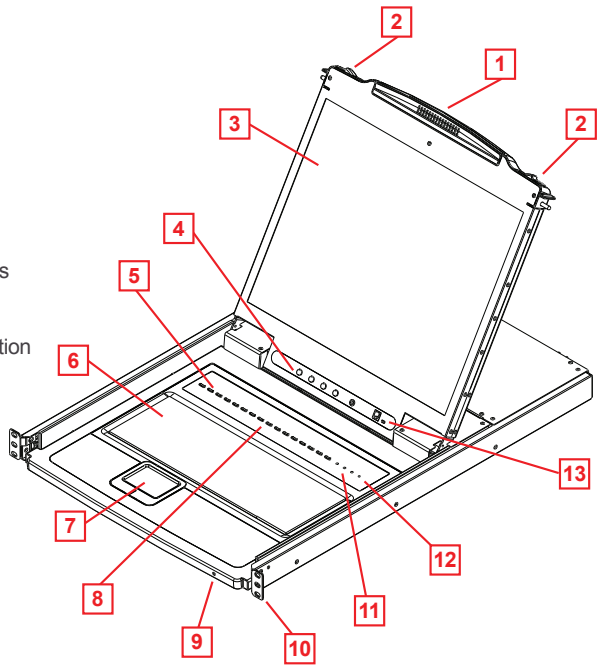
PART NO. Q1323-a / Q1324-a

- 1 x GCL1908 / GCL1916 19" LCD KVM with Rock Mount Kit
- 1 x USB KVM Cable; 1 x PS2 KVM Cable
- 1 x Power Cord
- 1 x Firmware Upgrade Cable
- 1 x Quick Start Guide
- 1 x Warranty Card
- 1 x Standard Long Rack Mount Kit

Overview

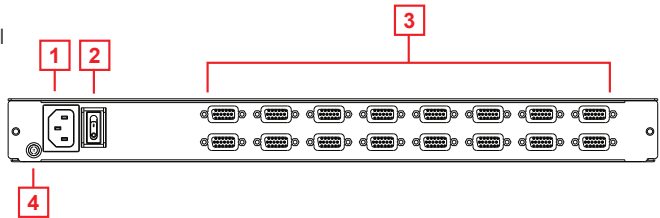
Front View:

- 1. Handle
- 2. Slide Release
- 3. LCD Display
- 4. LCD Controls
- 5. Port LEDs
- 6. Keyboard
- 7. Touchpad
- 8. Port Switches
- 9. Power LED
- 10. Rack Mounting Brackets
- 11. Lock LEDs
- 12. Reset Switch
- 13. Firmware Upgrade Section



Rear View:

- 1. Power Socket
- 2. Power Switch
- 3. KVM Port Section
- 4. Grounding Terminal

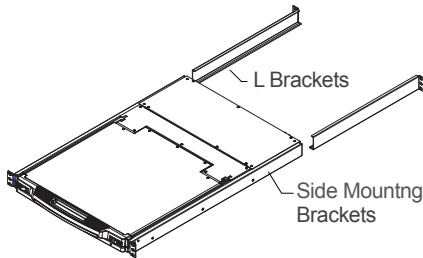


Note: The GCL1916 is pictured above. The GCL1908 rear panel is the same as the GCL1916, except that it has 8 KVM ports instead of 16.

Standard Rack Mounting:

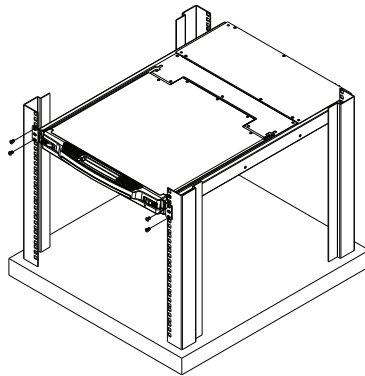
A standard rack mounting kit is provided with your GCL1908 / GCL1916 and can be mounted in 1U of rack space. The following diagram shows the required components to mount the LCD KVM to the rack.

Note: It takes two people to mount the switch: one to hold it in place; the other to screw it in.



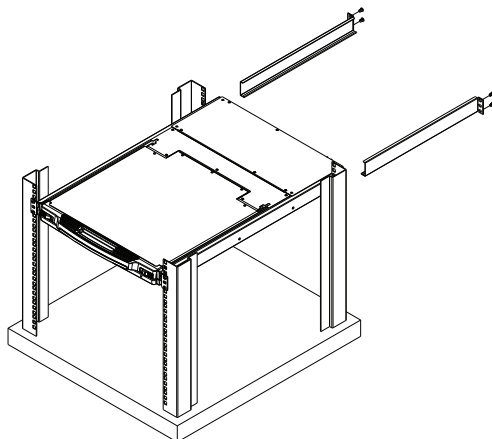
Step 1

While one person positions the switch in the rack and holds it in place, the second person loosely screws the front brackets to the rack.



Step 2

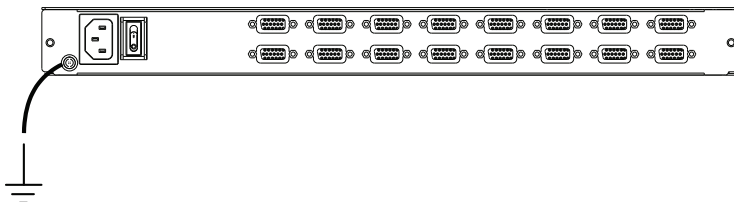
While the first person still holds the switch in place, the second person slides the L brackets into the switch's side mounting brackets from the rear until the bracket flanges contact the rack, then screw the L brackets to the rack.

**Final Step**

After the L brackets have been secured, tighten the front bracket screws.

Grounding

Use a grounding wire to ground the GCL1908 / GCL1916 by connecting one end of the wire to the grounding terminal, and the other end of the wire to a suitable grounded object.



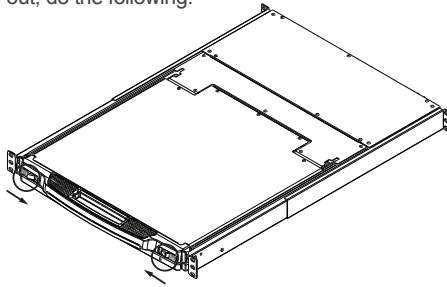
Opening the Console

The GCL1908 / GCL1916's console is located under the top cover. To access the console, slide the console module out and raise the cover.

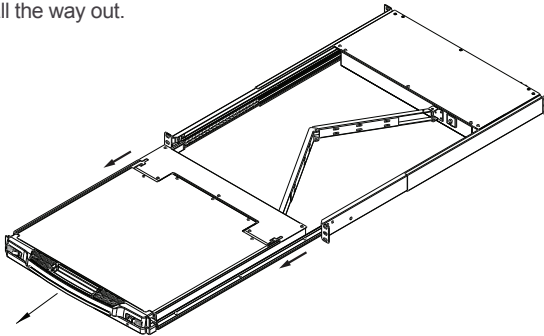
Note: As a safety precaution, to keep the console from accidentally sliding out, the console is locked into the In position. Before you can pull the console module out, you must release it by pushing the catches on the unit's front panel toward the center of the switch.

To slide the console module out, do the following:

1. Push the catches inward



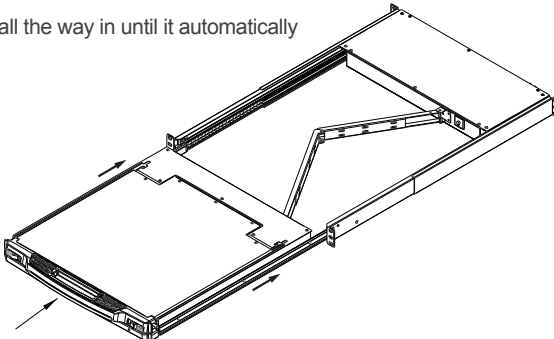
2. Slide the module all the way out.
3. Open the cover.



Closing the Console

To slide the console module back in, do the following:

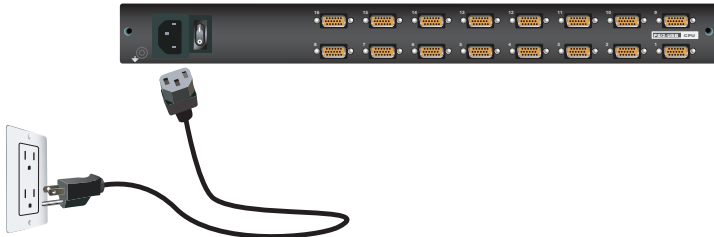
1. Close the cover.
2. Push the module all the way in until it automatically locks in place.



Please make sure the computers are powered off before you start.

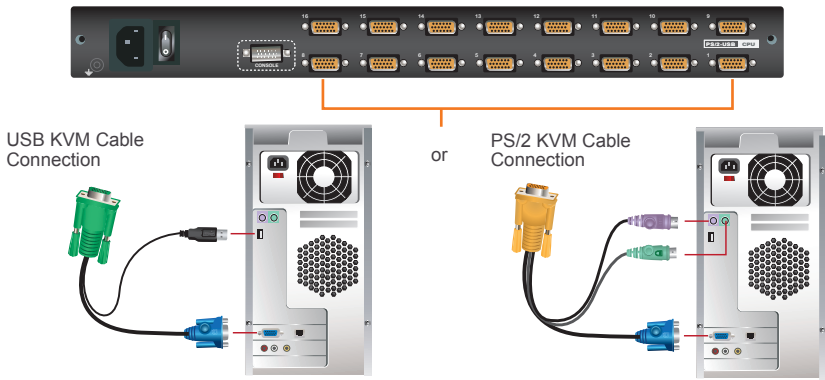
Step 1

Connect the power cord to the power outlet and the power socket of the LCD KVM.



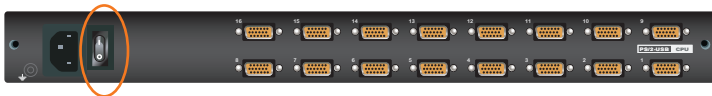
Step 2

Connect a USB KVM Cable (with a green connector) or PS/2 KVM Cable (with a yellow connector) from the KVM switch to each of your computers.



Step 3

Turn on LCD KVM by using the power switch that's located in the back of the LCD KVM.



Final Step

Turn on your computers.

To control even more computers, up to 8/16 additional switches can be cascaded from the first GCL1908/GCL1916. As many as 128 (Cascaded with GCS1808) or 256 (Cascaded with GCS1716) computers can be controlled from a single console in a complete cascade installation.

On-screen Display (OSD) Operation

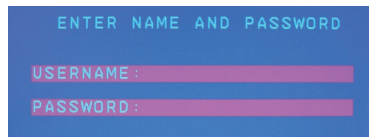
Trigger OSD

Simply press [Scroll Lock] [Scroll Lock] rapidly.

Note: This hotkey sequence can be changed to [Ctrl] [Ctrl]. Please refer to Hotkey Setting

OSD Login

By default, the Login and Password are blanks, so simply press [Enter] [Enter] to login. If you have set a user name and password on the KVM, simply enter them and press enter to login.



OSD Main Screen


When you invoke the OSD, a screen similar to the one below appears:

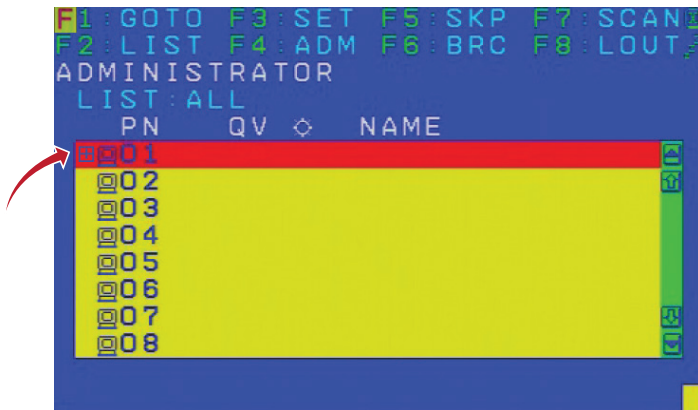


OSD Functions

OSD functions are used to configure and control the OSD. For example, you can rapidly switch to any port, scan selected ports, limit the list you wish to view, designate a port as a quick view port, create or edit a port name, or make OSD setting adjustments.

Notes:

1. The diagram depicts the administrator's main screen. The users' main screen does not show the F4 and F6 functions, since these are reserved for the administrator and can't be accessed by users.
2. The OSD always starts in LIST view, with the highlighted bar at the same position when OSD was closed last time.
3. Only the ports that have been set accessible by the administrator for the user currently logged in are visible.
4. The icon  next to the monitor icon, indicates that another KVM is attached to the LCD KVM (Cascading). Click on a switch number, or move the highlight bar to it then press the right arrow key to expand the list. Similarly, to collapse a switch's port list, click on the switch number, or move the highlight bar to it then press the left arrow key to collapse the list.



[Num Lock] + [-] or [Ctrl] + [F12]	[A] [Enter] or [Q][Enter]	Invokes Auto Scan mode. When Auto Scan mode is in effect, [P] or left-click pauses auto-scanning. When auto-scanning is paused, pressing any key or another left-click resumes autoscanning.
	[B]	Toggles the Beeper On / Off
	[Esc] or [Spacebar]	Exits hotkey mode
	[F1]	Set Operating System to Windows®
	[F2]	Set Operating System to Mac
	[F3]	Set Operating System to Sun
	[F5]	Performs a keyboard / mouse reset on the target computer.
	[H]	Toggles the Quick Hotkey invocation keys between [Ctrl]+[F12] and [Num Lock]+[-]
	[R] [Enter]	This administrator only hotkey restores the switch's default values
	[PN] [Enter]	Switches access to the computer that corresponds to that port ID
	[T]	Toggles the OSD Hotkey between [Ctrl] [Ctrl] and [Scroll Lock] [Scroll Lock]
	[←]	Invokes Skip Mode and skips from the current port to the first accessible port previous to it.
[→]	Invokes Skip Mode and skips from the current port to the next accessible port	

Note:

For completed operation setting method, please download the user manual from IOGEAR support website.

Compliance Information

FCC Statement

This product has been tested and found to comply with the limits for a Class A digital device, pursuant to Part 15 of the FCC Rules. These limits are designed to provide reasonable protection against harmful interference when the equipment is operated in a commercial environment. This product generates, uses, and can radiate radio frequency energy. If this product is not installed and used as directed it may cause harmful interference to radio communications. Operating this product in a residential area will likely cause harmful interference which will require correction by the user at his/her personal expense.

CE Compliance

This device has been tested and found to comply with the following European Union directives: Electromagnetic Capability (2004/108/EC), Low Voltage (2006/95/EC) and R&TTED (1999/5/EC).

Limited Warranty

Warranty Information

This product carries a 3 Year Limited Warranty. For the terms and conditions of this warranty, please go to <http://www.iogear.com/support/warranty>
Register online at <http://www.iogear.com/register>

Important Product Information

Product Model _____

Serial Number _____

Contact

**WE'RE HERE TO HELP YOU!
NEED ASSISTANCE SETTING UP THIS PRODUCT?**

Make sure you:

1. Visit www.iogear.com for more product information
2. Visit www.iogear.com/support for live help and product support

IOGEAR

iogear.custhelp.com

support@iogear.com

www.iogear.com