

MasterConsole Digital (MCD and MCD-LED17 Series)

User Guide

Release 1.0.0

This document contains proprietary information that is protected by copyright. All rights reserved. No part of this document may be photocopied, reproduced, or translated into another language without express prior written consent of Raritan, Inc.

© Copyright 2017 Raritan, Inc. All third-party software and hardware mentioned in this document are registered trademarks or trademarks of and are the property of their respective holders.

FCC Information

This equipment has been tested and found to comply with the limits for a Class A digital device, pursuant to Part 15 of the FCC Rules. These limits are designed to provide reasonable protection against harmful interference in a commercial installation. This equipment generates, uses, and can radiate radio frequency energy and if not installed and used in accordance with the instructions, may cause harmful interference to radio communications. Operation of this equipment in a residential environment may cause harmful interference.

VCCI Information (Japan)

この装置は、クラスA情報技術装置です。この装置を家庭環境で使用すると電波妨害を引き起こすことがあります。この場合には使用者が適切な対策を講ずるよう要求されることがあります。 VCCI-A

Raritan is not responsible for damage to this product resulting from accident, disaster, misuse, abuse, non-Raritan modification of the product, or other events outside of Raritan's reasonable control or not arising under normal operating conditions.

If a power cable is included with this product, it must be used exclusively for this product.



Power Safety Guidelines

To avoid potentially fatal shock hazard and possible damage to Raritan equipment:

- Do not use a 2-wire power cord in any product configuration.
- Test AC outlets at your computer and monitor for proper polarity and grounding.
- Use only with grounded outlets at both the computer and monitor. When using a backup UPS, power the computer, monitor and appliance off the supply.

In Raritan products that require Rack Mounting, please follow these precautions:

- Operation temperature in a closed rack environment may be greater than room temperature. Do not exceed the rated maximum ambient temperature of the appliances. See **Specifications** (on page 73) in online help.
- Ensure sufficient airflow through the rack environment.
- Mount equipment in the rack carefully to avoid uneven mechanical loading.
- Connect equipment to the supply circuit carefully to avoid overloading circuits.
- Ground all equipment properly, especially supply connections, such as power strips (other than direct connections), to the branch circuit.

Contents

Chapter 1	Introduction to MasterConsole Digital Series Products	1
	Product Photos	1
	Before Installation	4
Chapter 2	MasterConsole Digital KVM Switches	5
	MCD Product Overview	5
	One-User Models	6
	Dual-User Models	6
	MCD Product Features	6
	MCD Package Contents	7
	MCD Structure Diagrams	7
	Front View	8
	Rear View	8
	MCD Computer Interface Modules	9
	MDUTP Cables	10
	MCD Rackmount Procedure	10
	Step 1: Attach the Cable-Support Bar	11
	Step 2: Rack Mount the MCD	11
Chapter 3	MasterConsole Digital-LED KVM Drawer	13
	MCD-LED Product Overview	14
	MCD-LED Product Features	14
	MCD-LED Package Contents	15
	MCD-LED Structure Diagrams	15
	Front View	16
	Rear View	17
	MDCIMs and MDTUP Cables	18
	MCD-LED Rackmount Procedure	18
Chapter 4	Quick Start	20
	Basic Installation	20
	Step A: Select Proper MDCIMs or MDUTPs	21
	Step B: Connect the Keyboard/Mouse/Monitor	21
	Step C: Connect Servers	22

Using the MCD-LED.....	24
Initial OSD Operation	25
Login.....	25
Accessing a Server.....	26
Logout	28
Chapter 5 Using the On-Screen Display Interface	29
<hr/>	
OSD Layout	29
Login Screen	30
Selection Menu.....	31
Channel ID.....	33
Specifying Channel Names	34
User Management	35
System Settings.....	38
Available Settings and Options	38
Adjusting the OSD Position	40
Channel Scan.....	41
Video Adjustment.....	42
Viewing Firmware Version	43
Resetting to Factory Defaults.....	44
More Channel Information	44
Active and Inactive Channels	45
Channel Colors.....	46
Releasing a Channel in the PC Shard Mode.....	47
Chapter 6 Two-Tier System	48
<hr/>	
Overview.....	48
Limitations of the Two-Tier System	49
Establishing a Two-Tier System.....	49
Step (a): Connect 2nd-Tier Switches to the Base Switch.....	49
Step (b): Connect Keyboards, Mice, Monitors and Audio Devices.....	51
Step (c): Connect Servers	53
Accessing or Exiting 2nd-Tier Channels.....	53
Chapter 7 MCD-LED Display's OSD Menu	55
<hr/>	
OSD Buttons on the LED Display.....	55
Onscreen Menu.....	56
Auto Adjust	57
Luminance.....	57
Management	58
Color	58

Contents

OSD.....	59
Language.....	59
Recall	60
Information.....	60
Selecting the Preferred Video Output	61
Chapter 8 Firmware Upgrade	62
<hr/>	
Upgrade Procedure Overview	62
Step 1: Download the Latest Firmware and Upgrade Utility	63
Step 2: Connect the Desired Switch to the Computer Running the Upgrade Utility.....	63
Step 3: Launch the Upgrade Utility for the Switch.....	65
Step 2A: Launch the Upgrade Utility and Connect MDCIM/MDUTP	67
Appendix A Specifications	73
<hr/>	
One-User MCD Models.....	73
Dual-User MCD Models.....	75
One-User MCD-LED Models	77
Appendix B Ground Screw	79
<hr/>	
Appendix C Integration with Other Raritan Products	80
<hr/>	
Index	83
<hr/>	

Chapter 1 Introduction to MasterConsole Digital Series Products

There are two types of MasterConsole Digital (MCD) KVM product models, which are functionally similar.

- MCD KVM switches
- MCD-LED KVM combination switch and KVM drawer

The major difference between the two products is MCD is a normal KVM switch without a built-in keyboard, mouse and display, and MCD-LED is a KVM switch with a built-in keyboard, touchpad and LCD display.

For detailed information on either product model, see *MasterConsole Digital KVM Switches* (on page 5) or *MasterConsole Digital-LED KVM Drawer* (on page 13).

Important: To support audio, you must purchase MCD KVM switches instead of MCD-LED KVM drawers.

All of MCD Computer Interface Modules (MDCIMs) and MDUTP cables can be used by either product. For detailed information on MDCIMs or MDUTP, see *MCD Computer Interface Modules* (on page 9) or *MDUTP Cables* (on page 10).

In This Chapter

Product Photos.....	1
Before Installation.....	4

Product Photos

► MCD KVM switches



▶ MCD-LED KVM combination switch and KVM drawer



▶ MDCIM-DVI



▶ MDCIM-HDMI



▶ MDCIM-DP



▶ MDUTP cables



Before Installation

- It is very important to locate this product in a suitable environment.
- The surface for placing and fixing this product should be stable and level or mounted into a suitable cabinet.
- Make sure the place has good ventilation, is out of direct sunlight, away from sources of excessive dust, dirt, heat, water, moisture, and vibration.
- Convenience for connecting this product to the related facilities should be well considered too.

Chapter 2 MasterConsole Digital KVM Switches

A MasterConsole Digital (MCD) switch is a KVM (keyboard/video/mouse) switch that enables you to control multiple servers from a single set of keyboard, mouse, and monitor.

There are four MCD models, which support different numbers of users and servers.

- MCD-108
- MCD-116
- MCD-216
- MCD-232

In This Chapter

MCD Product Overview	5
MCD Product Features	6
MCD Package Contents	7
MCD Structure Diagrams	7
MCD Computer Interface Modules.....	9
MDUTP Cables	10
MCD Rackmount Procedure.....	10

MCD Product Overview

Just connect the keyboard, mouse, monitor and all servers to a MCD switch, and you will be able to switch among servers connected to that MCD switch.

If cascading MCD switches to form a two-tier system, the number of accessible servers can be expanded up to 1024 servers. See ***Two-Tier System*** (on page 48).

The MCD switch features the use of standard network patch cables (Category 5e/6 UTP) for connecting servers.

One MCD system comprises some or all of the following:

- MCD switch
- MCD Computer Interface Modules (MDCIMs) and/or MDUTP cables

*Tip: To access MCD switches and connected servers from anywhere over the Internet, connect MCD switches to Raritan's Dominion KX III or KX2-101-V2. For details, see **Integration with Other Raritan Products** (on page 80).*

One-User Models

The one-user model allows only "one" user to access connected servers at a time. These models include MCD-108 and MCD-116.

MCD-108 has 8 channel ports, and MCD-116 has 16.

Dual-User Models

The dual-user model allows up to "two" users to access connected servers at a time. These models include MCD-216 and MCD-232.

MCD-216 has 16 channel ports, and MCD-232 has 32.

MCD Product Features

- A user can control multiple servers per unit. The number of servers is model dependent.
 - MCD-108 supports a maximum of 8 servers
 - MCD-116 supports a maximum of 16 servers
 - MCD-216 supports a maximum of 16 servers
 - MCD-232 supports a maximum of 32 servers
- Total number of servers can be increased up to 1024 servers by cascading MCD switches
- Users can be located away from the servers at a distance up to 150 feet (45.72 meters)
- Support two-user operation on dual-user models -- see *Dual-User Models* (on page 6)
- Support the PC Share mode on dual-user models
- Support the following keyboard, mouse, video and audio signals transmission
 - Standard USB keyboards and mice
 - DVI, HDMI, Display Port and VGA
 - Analog audio (MDUCP cables)
 - Digital audio (MDCIM-HDMI)

- Support the video resolution up to 1920x1200@75Hz (analog) or 1920x1080@60Hz (digital)
- Multi-platform support, including MS-DOS, Windows® 7/8/8.1/10, Linux® (Red Hat, Novell® Suse), Macintosh® OS9, OSX and SCO UNIX®
- With the “keep-alive” technology, you can add, remove, and hot-swap components without interruption to servers
- Simple operation with hot keys and On-Screen Display (OSD) menu
- Support the *Scan* function, which can cycle through either all channels or “active” channels only, and therefore update the channel status

*Note: For the definition of an “active” channel, see **Active and Inactive Channels** (on page 45).*

- Password protection prevents unauthorized access to MCD devices and servers -- one administrator and 127 user accounts
- Easy firmware upgrade

MCD Package Contents

- MCD KVM switch x 1
- Power cord x 1
- Rackmount kit x 1 (including brackets and associated screws)
- DVI-I to VGA adapter x 1

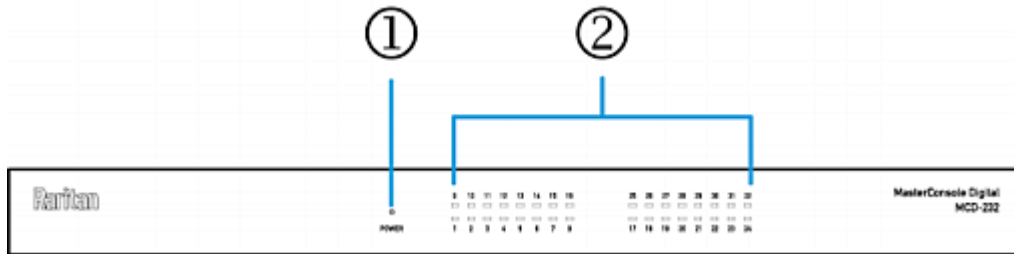
*Note: This adapter can be used for connecting a VGA monitor or for connecting a 2nd-tier MCD switch via “MDUTP”. For details, see **Step B: Connect the Keyboard/Mouse/Monitor** (on page 21) or **Establishing a Two-Tier System** (on page 49).*

- Warranty card x 1
- Quick Setup Guide x 1

MCD Structure Diagrams

This section provides a brief introduction to the components on the front and rear sides of the MCD switch. The following diagrams illustrate MCD-232.

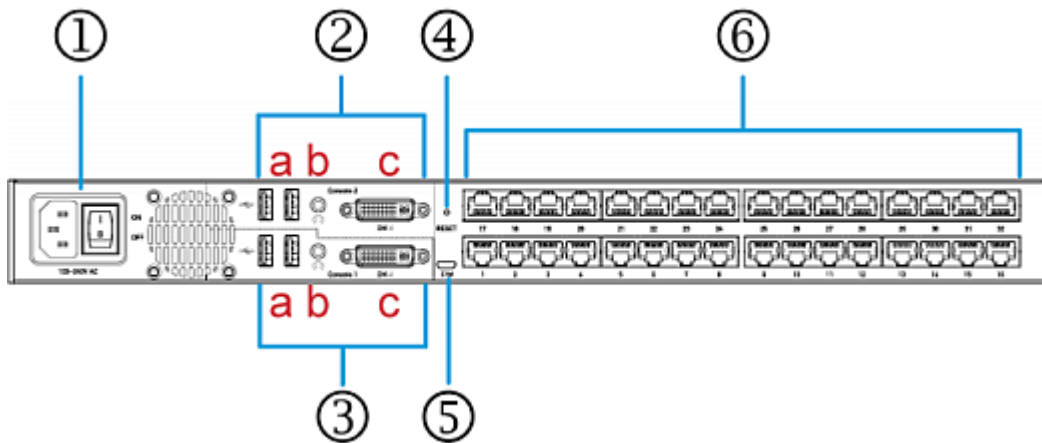
Front View



1	Power LED	Turn on after powering on the MCD
2	Channel LEDs	<ul style="list-style-type: none"> ▪ Turn off for "inactive" channels. ▪ Turn on for "active" channels. The color is white, and will turn green when any channel is being accessed.

*Note: For the definition of inactive and active channels, see **Active and Inactive Channels** (on page 45).*

Rear View



1	Power socket and power switch	<p><i>Power socket:</i> Connect the power cord.</p> <p><i>Power switch:</i> Toggle the power on or off.</p>
---	--------------------------------------	---

2	'Console 2' connectors		Connect the data input/output devices. For details, refer to a, b and c listed below. <ul style="list-style-type: none"> 'Console 2' is available on dual-user models only. See <i>Dual-User Models</i> (on page 6).
	a	Two USB-A ports	Connect a USB keyboard and mouse.
	b	One audio output	Connect audio input devices, such as speakers or headphone.
	c	One DVI-I connector	Connect a monitor. <ul style="list-style-type: none"> If your monitor does not have a DVI connector, an appropriate video converter or adapter is required.
3	'Console 1' connectors		Connect the data input/output devices. <ul style="list-style-type: none"> 'Console 1' is available on all MCD models.
	a, b, c		Refer to a, b, and c shown above.
4	Reset button		Power cycles the MCD switch. <ul style="list-style-type: none"> Note that users are forced to log out on reset.
5	Firmware upgrade connector		Connect a computer for upgrading the MCD firmware.
6	Channel ports		Connect servers. <ul style="list-style-type: none"> Total of channels depends on your model.

MCD Computer Interface Modules

The MCD Computer Interface Module (MDCIM) transmits keyboard, mouse and video signals between the connected server and the MCD switch. One MDCIM is required per server.

There are three types of MDCIMs.

- **DVI + USB**
MDCIM-DVI comes with a DVI video connector and a USB connector. This CIM does NOT support audio transmission.
- **HDMI + USB**
MDCIM-HDMI comes with an HDMI video connector and a USB connector. This CIM supports *digital audio* transmission.

- **Display Port + USB**

MDCIM-DP comes with a Display Port video connector and a USB connector.

This CIM does NOT support audio transmission.

Important: If the audio functionality is wanted, make sure you turn on the audio feature on your MCD in addition to using the audio-capable MDCIM or MDUTP cable. See *Available Settings and Options* (on page 38).

MDUTP Cables

One MDUTP cable is a combination of Computer Interface Module (CIM) and standard network patch cable so you can use it in place of the MDCIM.

Raritan provides various MDUTP cables of different lengths.

Each MDUTP cable comes with an HD15 VGA connector, a USB connector and an analog audio connector. Therefore, this cable can transmit analog audio in addition to keyboard, mouse and video signals.

Model	Cable length
MDUTP20-VGA	2 meters (6.5 feet)
MDUTP40-VGA	4 meters (13 feet)
MDUTP60-VGA	6 meters (20 feet)
MDUTP150-VGA	15 meters (49 feet)

Important: If the audio functionality is wanted, make sure you turn on the audio feature on your MCD in addition to using the audio-capable MDCIM or MDUTP cable. See *Available Settings and Options* (on page 38).

MCD Rackmount Procedure

MCD switches can be mounted in 1U (1.75", 4.4cm) of vertical space in a standard 19" equipment rack. To rack-mount it, use the brackets and screws that come with the device.

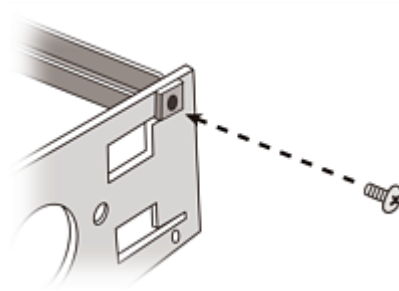
Step 1: Attach the Cable-Support Bar

You can install the cable-support bar onto the rackmount brackets to bear all cables connected to the MCD switch. The proper position to attach this bar depends on the switch's front panel position in the rack.

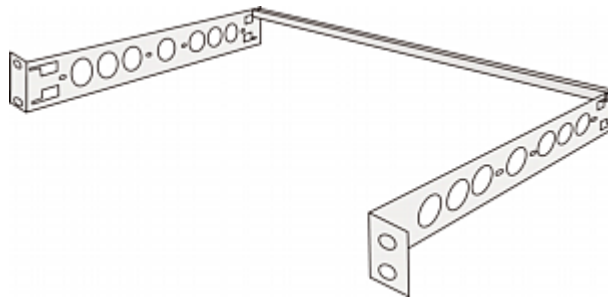
- If the front panel will face the front of the rack, fasten the bar to the L-shaped holes *far from* the ears of the rackmount brackets.
- If the front panel will face the rear of the rack, fasten the bar to the L-shaped holes *close to* the ears of the rackmount brackets.

► **To attach the cable-support bar:**

1. Insert either end of the cable-support bar into one of the L-shaped holes on a rackmount bracket.
2. Align the bar's threaded hole with the threaded hole at the end of the rackmount bracket. Then secure the bar with one of the included cap screws.



3. Repeat the above steps for attaching the other bracket.



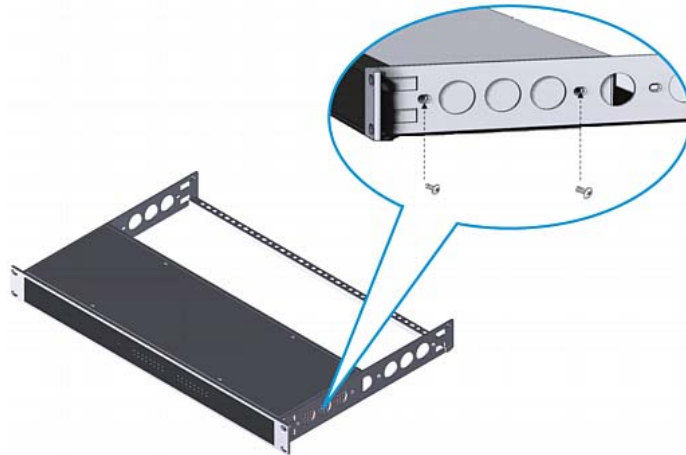
Step 2: Rack Mount the MCD

When rack-mounting the MCD switch, you can let it face either the front or the rear of the rack to meet your needs.

► **To rack-mount the MCD:**

1. Slide the MCD between the two rackmount brackets.

2. Align two little holes of the bracket with two threaded holes on one side of the MCD.
3. Secure the bracket to the MCD with two of the included screws.



4. Repeat the same steps for attaching the other bracket.
5. Mount the MCD in the rack by securing the brackets' ears to the rack's front rails with your own fasteners.

Chapter 3 MasterConsole Digital-LED KVM Drawer

MasterConsole Digital-LED (MCD-LED) series is a **KVM drawer** which is functionally similar to MCD KVM switches. For information on MCD KVM switches, see *MasterConsole Digital KVM Switches* (on page 5).

Important: MCD-LED KVM drawers do NOT support audio transmission even though an audio-capable MDCIM or MDUTP cable is used.

MCD-LED includes the following two models. Both models come with a 17" LED LCD display.

- MCD-LED17108
- MCD-LED17116

The adjustable bracket length of either model is up to 908 cm (35.75 inches).

In This Chapter

MCD-LED Product Overview	14
MCD-LED Product Features	14
MCD-LED Package Contents	15
MCD-LED Structure Diagrams	15
MDCIMs and MDTUP Cables	18
MCD-LED Rackmount Procedure	18

MCD-LED Product Overview

MCD-LED is a KVM (keyboard/video/mouse) combination switch and KVM drawer that enables you to control multiple servers from a single set of keyboard, touchpad, and monitor.

Connect multiple servers to a MCD-LED KVM drawer, and you will be able to switch among servers connected to the MCD-LED.

You *cannot* establish a two-tier system with MCD-LED KVM drawers, but you can use it as the base switch of any two-tier MCD system. See ***Two-Tier System*** (on page 48).

The MCD-LED switch features the use of standard network patch cables (Category 5e/6 UTP) for connecting servers.

One MCD-LED system comprises some or all of the following:

- MCD-LED switch
- MCD Computer Interface Modules (MDCIMs) and/or MDUTP cables

Note: You CANNOT connect a MCD-LED KVM drawer to Raritan's Dominion KX III or KX2-101-V2 because it does not have a 'console' port.

MCD-LED Product Features

- MCD-LED KVM drawers come with a 17" LED LCD display, built-in keyboard and touchpad
- A user can control multiple servers per unit. The number of servers is model dependent.
 - MCD-LED17108 supports a maximum of 8 servers
 - MCD-LED17116 supports a maximum of 16 servers
- Support single-user operation only. There are NO dual-user models for MCD-LED series.
- Support the following keyboard, mouse, and video signals transmission
 - Standard USB keyboards and mice
 - DVI, HDMI, Display Port and VGA

Note: MCD-LED KVM drawers do NOT support audio transmission even though an audio-capable MDCIM or MDUTP cable is used.

- Users can be located away from the servers at a distance up to 150 feet (45.72 meters)
- Support the video resolution up to 1920x1200@75Hz (analog) or 1920x1080@60Hz (digital)
- Multi-platform support, including MS-DOS, Windows® 7/8/8.1/10, Linux® (Red Hat, Novell® Suse), Macintosh® OS9, OSX and SCO UNIX®
- With the “keep-alive” technology, you can add, remove, and hot-swap components without interruption to servers
- Simple operation with hot keys and On-Screen Display (OSD) menu
- Support the *Scan* function, which can cycle through either all channels or “active” channels only, and therefore update the channel status

*Note: For the definition of an “active” channel, see **Active and Inactive Channels** (on page 45).*

- Password protection prevents unauthorized access to MCD-LED devices and servers -- one administrator and 127 user accounts
- Easy firmware upgrade

MCD-LED Package Contents

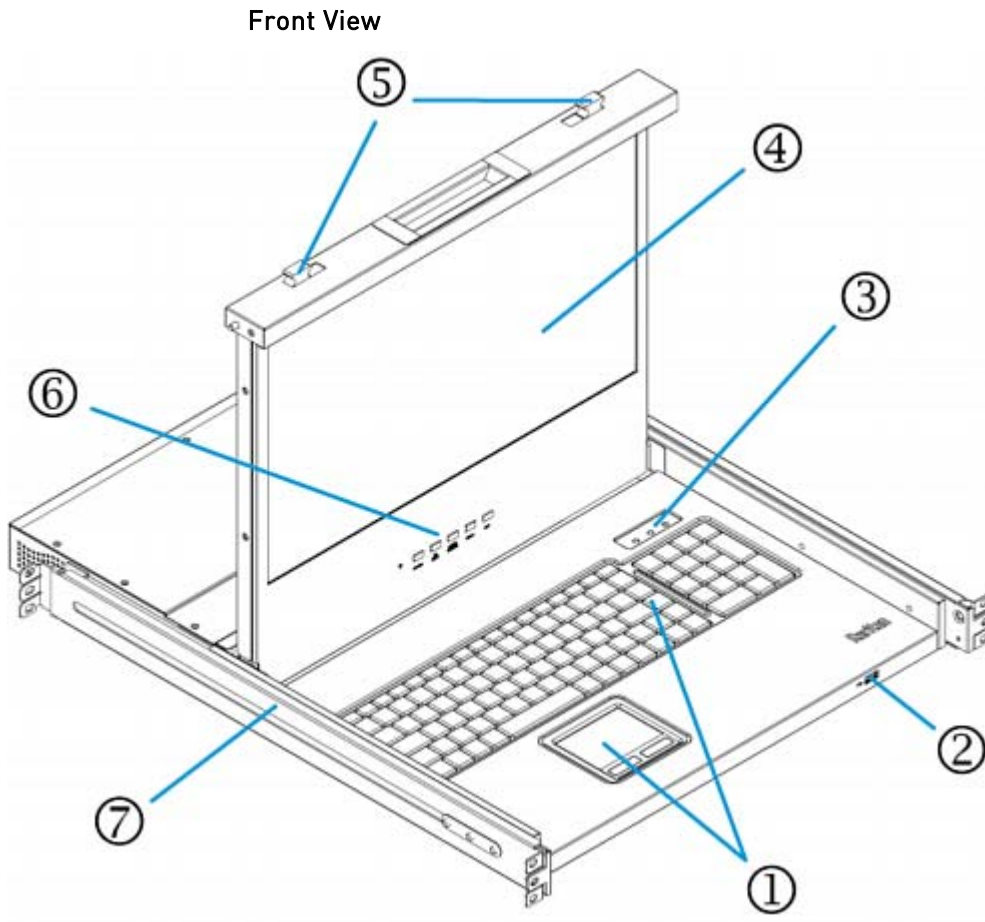
- MCD-LED KVM combination switch and drawer x 1
- Power cord x 1
- Rackmount kit x 1 (including brackets and associated screws)
- DVI-I to VGA adapter x 1

*Note: This adapter can be used for connecting a 2nd-tier MCD KVM switch via “MDUTP”. For details, see **Establishing a Two-Tier System** (on page 49).*

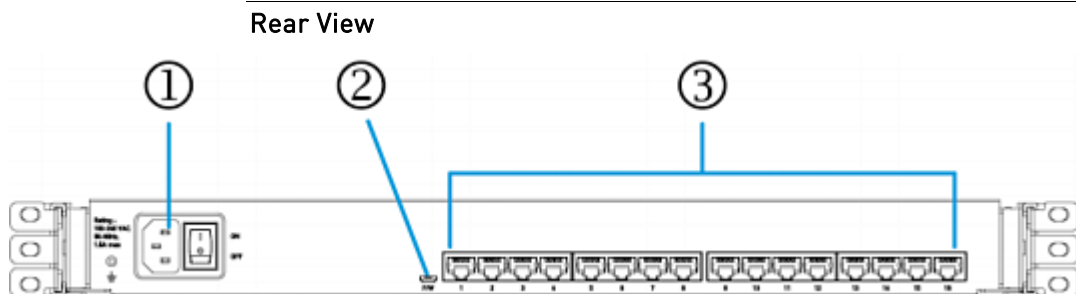
- Warranty card x 1
- Quick Setup Guide x 1

MCD-LED Structure Diagrams

This section provides a brief introduction to the components on the front and rear sides of the MCD-LED switch. The following diagrams illustrate MCD-LED17116.



1	Touchpad and keyboard	Operate the MCD-LED KVM drawer
2	USB port	<ul style="list-style-type: none"> This USB port is used to connect an additional wired or wireless USB keyboard and/or mouse. This USB port does not support a USB storage drive.
3	Indicators for Num Lock, Caps Lock and Scroll Lock	Corresponding indicators are lit to indicate which Lock functionality is turned on.
4	TFT LCD display	Display the OSD and/or server's video output.
5	Locking latches	Lock or unlock the LCD display when it is closed.
6	OSD buttons, power button and indicator lamp	<p><i>OSD buttons:</i> Display and operate the OSD menu, which adjusts the video or OSD settings of the built-in LCD display. For detailed information, see <i>MCD-LED Display's OSD Menu</i> (on page 55).</p> <hr/> <p><i>Note:</i> This OSD menu is different from the OSD for channel selection and system settings, which is described in the chapter titled <i>Using the On-Screen Display Interface</i> (on page 29).</p> <hr/> <p><i>LCD power button:</i> Turn on or off the power supply to the LCD display.</p> <hr/> <p><i>LCD power indicator lamp:</i> The indicator is lit when the LCD power button is turned on.</p>
7	Adjustable mounting brackets	<p>Adjust the mounting bracket to match the length of your rack.</p> <ul style="list-style-type: none"> Adjustable length: 523 cm (20.59") to 908 cm (35.75").



1	Power socket and power switch	<p><i>Power socket:</i> Connect the power cord.</p> <p><i>Power switch:</i> Toggle the power on or off.</p>
---	-------------------------------	---

2	Firmware upgrade connector	Connect a computer for upgrading the MCD-LED firmware.
3	Channel ports	Connect servers. <ul style="list-style-type: none">▪ Total of channels depends on your model.

Tip: To reset this product, you can press the power switch.

MDCIMs and MDUTP Cables

All MDCIMs and MDUTP cables work with either MCD or MCD-LED KVM products.

▶ **MDCIMs:**

- See *MCD Computer Interface Modules* (on page 9).

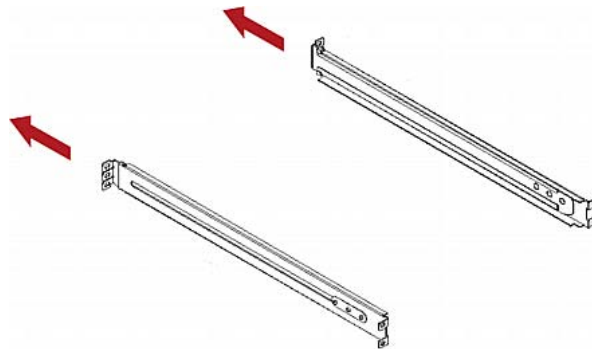
▶ **MDUTP cables:**

- See *MDUTP Cables* (on page 10).

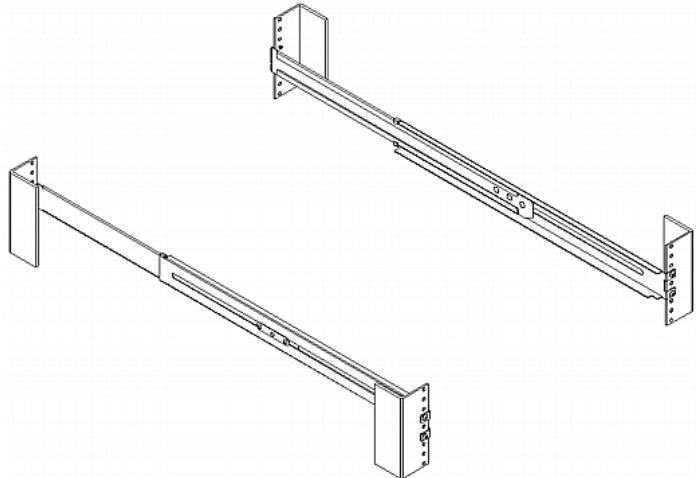
MCD-LED Rackmount Procedure

MCD-LED KVM drawers can be mounted in 1U (1.75", 4.4cm) of vertical space in a standard 19" equipment rack. To rack-mount it, use the brackets and screws that come with the device.

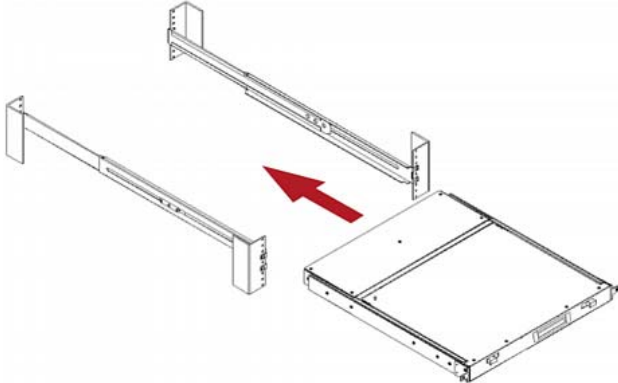
1. Adjust the length of both brackets to match the mounting depth of your rack.



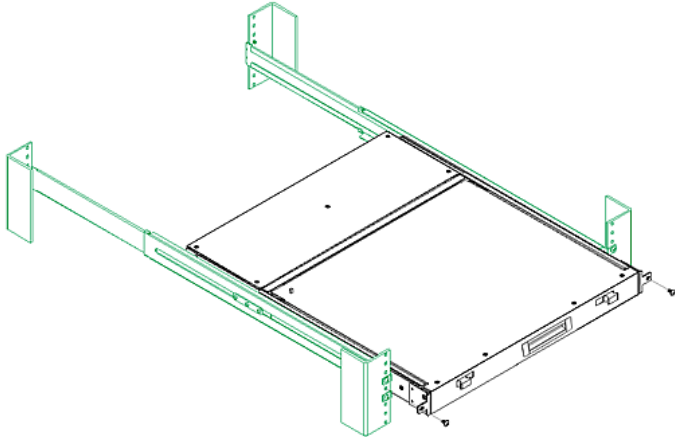
- 2. Fasten the brackets to the rack rails securely with your own fasteners.



- 3. Slide the MCD-LED between the brackets.



- 4. Fasten the MCD-LED to the rack.



Chapter 4 Quick Start

This section provides instructions on setting up a basic MCD or MCD-LED system and accessing connected servers.

For instructions on rack-mounting each product, see *MCD Rackmount Procedure* (on page 10) or *MCD-LED Rackmount Procedure* (on page 18).

► **Major steps for setting up a basic system include:**

1. Connect servers to the MCD or MCD-LED switch. See *Basic Installation* (on page 20).
2. Unlock and open the MCD-LED. See *Using the MCD-LED* (on page 24).
 - Skip this step if your product is the MCD KVM switch.
3. Log in to the MCD or MCD-LED switch to access servers, and then log out. See *Initial OSD Operation* (on page 25).

In This Chapter

Basic Installation	20
Using the MCD-LED	24
Initial OSD Operation	25

Basic Installation

Server connection methods are the same for both MCD switches and MCD-LED KVM drawers. The only difference is that you do NOT need to connect a keyboard/mouse/video to MCD-LED.

*Tip: If preferred, you can connect an additional "wired" or "wireless" USB keyboard and/or mouse to the front USB port of MCD-LED. See **Front View** (on page 16).*

► **To connect servers to MCD, perform these steps:**

- *Step A: Select Proper MDCIMs or MDUTPs* (on page 21)
- *Step B: Connect the Keyboard/Mouse/Monitor* (on page 21)
- *Step C: Connect Servers* (on page 22)

► **To connect servers to MCD-LED, perform these steps:**

- *Step A: Select Proper MDCIMs or MDUTPs* (on page 21)
- *Step C: Connect Servers* (on page 22)

Step A: Select Proper MDCIMs or MDUTPs

Choose appropriate MDCIMs or MDUTP cables according to the server's video port and your audio requirements.

MCD CIM type	Video type	Audio transmission
MDUTP cables	VGA	Support analog audio
MDCIM-DVI	DVI	NO support
MDCIM-HDMI	HDMI	Support digital audio
MDCIM-DP	Display Port	NO support

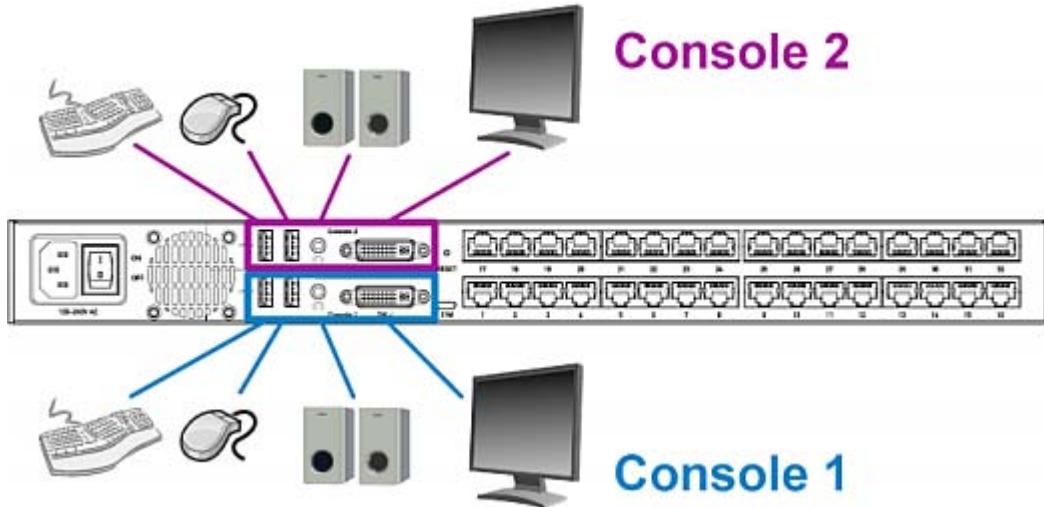
Tip: If any MDCIM or MDUTP cable you purchase is not compatible with the video port on your server, the alternative solution is to connect a video converter or adapter to MDCIM or MDUTP.

Step B: Connect the Keyboard/Mouse/Monitor

Skip this step for MCD-LED series because it has a built-in LCD display, keyboard and touchpad, and does NOT have a 'console' connector.

1. Turn OFF all devices, including the MCD switch and servers.
2. Connect a keyboard, mouse and monitor to the 'Console' connectors on the MCD.
 - If using a VGA monitor, a DVI-I to VGA adapter is required.
 - The headphone or speakers are optional.

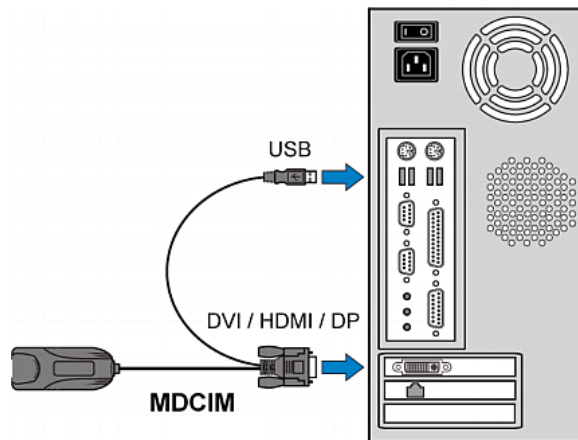
- If your MCD is a dual-user model, you can connect an additional keyboard, mouse and monitor to the other 'Console' connectors.



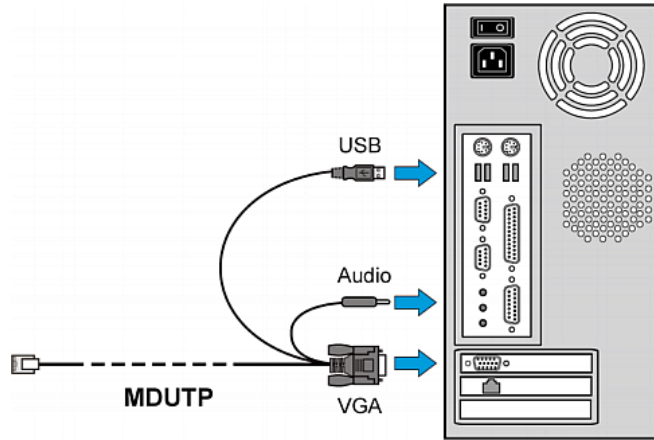
Step C: Connect Servers

1. Connect one MDCIM or MDUTP cable to the server.
 - a. Plug the MDCIM or MDUTP's USB connector into one of the server's USB ports.
 - b. Plug the MDCIM or MDUTP's video connector into the server's video port.

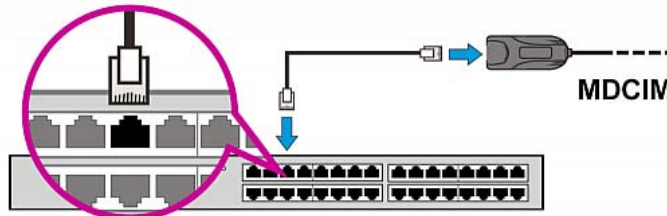
Make sure the MDCIM's or MDUTP's video type matches your server's. See **Step A: Select Proper MDCIMs or MDUTPs** (on page 21).



- c. **Optionally**, plug the MDUTP's audio connector into the server's audio output port.



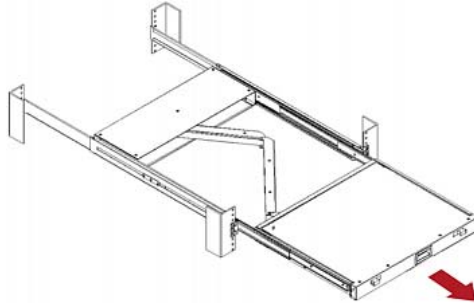
2. Connect the server to the MCD switch. The distance can be up to 45 meters (147.6 feet).
 - *MDCIM*: Use a standard network patch cable (Cat5e/6 UTP) to connect the MDCIM attached with the server to the MCD channel ports.



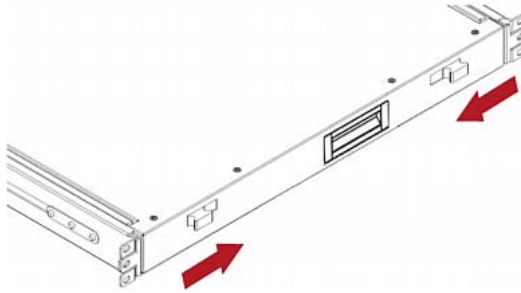
- *MDUTP cable*: Simply plug the other end of the MDUTP cable into any channel port.
3. Repeat the above steps to connect more servers.
 4. Power on all devices.

Using the MCD-LED

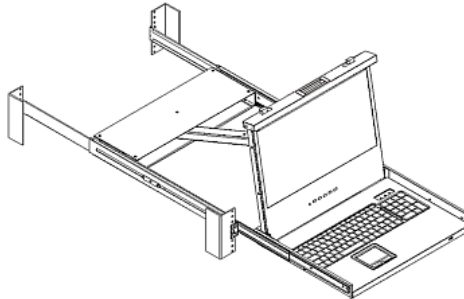
1. Pull out the MCD-LED.



2. Push the locking latches toward the center.



3. Flip up the LCD display, and press the power button on the LCD display.

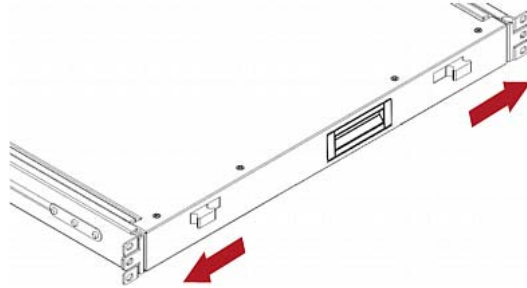


4. To fine tune the video quality after accessing a server, do either below:
 - Press the UP/AUTO button on the LCD display.
 - Press MENU, make sure Auto Adjust has been selected, and press MENU to confirm.

*Note: For instructions on accessing a server, see **Accessing a Server** (on page 26).*

5. To close and lock the LCD display, push the locking latches toward the edges.

Warning: When closing the MCD-LED, keep your fingers clear of it.



Initial OSD Operation

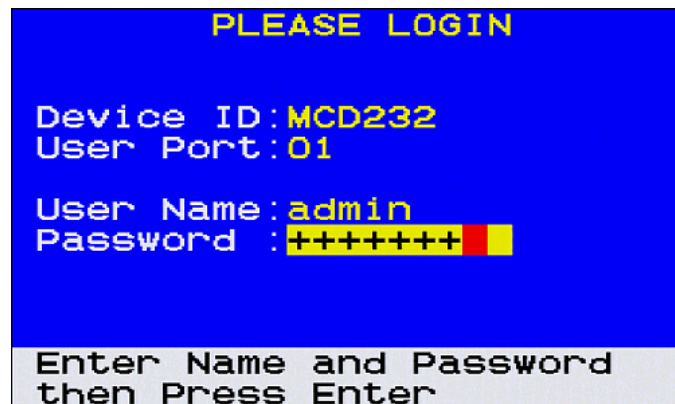
MCD and MCD-LED share the same OSD operations.

Login

After turning on the device, the login screen displays. For initial login, use the built-in administrator account.

► **To log in:**

1. Type the default user credentials and press Enter. User credentials are case sensitive.
 - User Name: admin
 - Default Password: raritan



2. The Selection Menu displays, indicating the login is successful.

- To select a channel, see *Using the Channel Selection Menu* (on page 27).

```
Selection Menu
MCD232. Pg 1 / 4

Port Name
001 PC
002 PC
003 +PC
004 PC
005 PC
006
007
008

F1: Setup F2: Scan F3: Rename
F4: Logout F5: FW Ver Esc: Exit
Enter: Switch Port
```

Important: It is strongly recommended to change the default password for the security of your MCD system. For details, refer to "*User Management* (on page 35)" in the User Guide.

Accessing a Server

After login, you can select any channel to view and/or control the connected server. There are two methods for channel selection.

- **Selection Menu** of the On-Screen Display (OSD)
- Hot keys

Using the Channel Selection Menu

You must use the OSD hot key to trigger the OSD. The default hot key is 'Scroll Lock.'

To change the hot key, see *System Settings* (on page 38).

► To select a channel via the Selection Menu:

1. Press 'Scroll Lock' 3 times. The Selection Menu appears, showing a list of channels.

Selection Menu	
MCD232.	Pg 1 / 4
Port	Name
001	PC
002	PC
003	+PC
004	PC
005	PC
006	
007	
008	
F1: Setup F2: Scan F3: Rename	
F4: Logout F5: FW Ver Esc: Exit	
Enter: Switch Port	

2. If the desired channel is not shown on the current page, press Page Down or Page Up.
3. Press ↓ or ↑ to select one of the "active" channels, and press Enter.
 - Channels with channel names displayed are "active" channels. The default name is 'PC'. See *Active and Inactive Channels* (on page 45).
 - The channel that is connected to a MCD switch is marked with +. See *Establishing a Two-Tier System* (on page 49).
4. The Selection Menu disappears. The video of the accessed server displays onscreen. Now you can control the server with the keyboard and mouse.
 - If you select a channel where a 2nd-tier switch is connected, the OSD Selection Menu of that switch displays for you to select its channels.

Using Hot Keys

You can switch between channels without triggering the OSD.

The default hot key for the first procedure below is 'Scroll Lock,' but you can change the hot key. See *System Settings* (on page 38).

The hot keys for the second procedure is NOT configurable.

▶ **To access any channel, using hot keys:**

1. Make sure there is no OSD shown onscreen. If yes, press Esc to exit.
2. To select any channel, press 'Scroll Lock' **twice**, then the channel number, and press Enter.

For example, to access channel 15, press the following keys.

Scroll Lock > Scroll Lock > 15 > Enter

Important: If you do not press Enter, no channel switching occurs.

3. The video of the accessed server displays onscreen. Now you can control the server with the keyboard and mouse.

▶ **To access the next or prior "active" channel, using hot keys:**

1. Make sure there is no OSD shown onscreen.
2. To select the next "active" channel, press the RIGHT 'Ctrl' key **twice**.
3. To select the prior "active" channel, press the LEFT 'Ctrl' key **twice**.

Logout

After completing your tasks, you should log out to prevent unauthorized people from accessing the MCD system.

▶ **To log out of the MCD system:**

1. If the OSD is not displayed onscreen, press 'Scroll Lock' **3 times**.
2. Press F4.
3. The Login screen appears, indicating that you have successfully logged out.

Chapter 5 Using the On-Screen Display Interface

In this chapter, the name 'MCD' refers to both MCD switches and MCD-LED KVM drawers unless otherwise specified.

The On-Screen Display (OSD) interface offers these functions:

- Channel selection
- System configuration
- Channel scan

*Note: The OSD settings described in this chapter are different from those for the MCD-LED's LCD display, which are described in the chapter titled **MCD-LED Display's OSD Menu** (on page 55).*

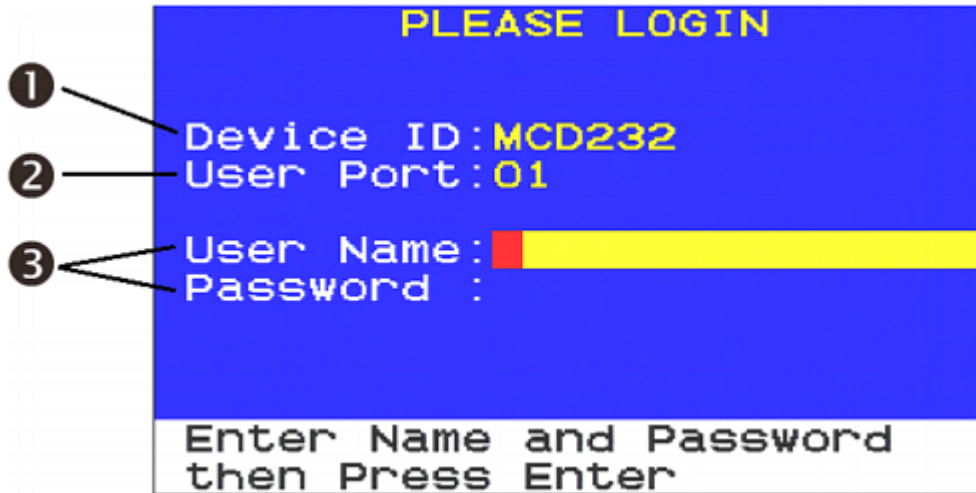
In This Chapter

OSD Layout	29
Specifying Channel Names	34
User Management	35
System Settings.....	38
Channel Scan.....	41
Video Adjustment	42
Viewing Firmware Version	43
Resetting to Factory Defaults	44
More Channel Information	44

OSD Layout

This section indicates the main elements displayed on the OSD images.

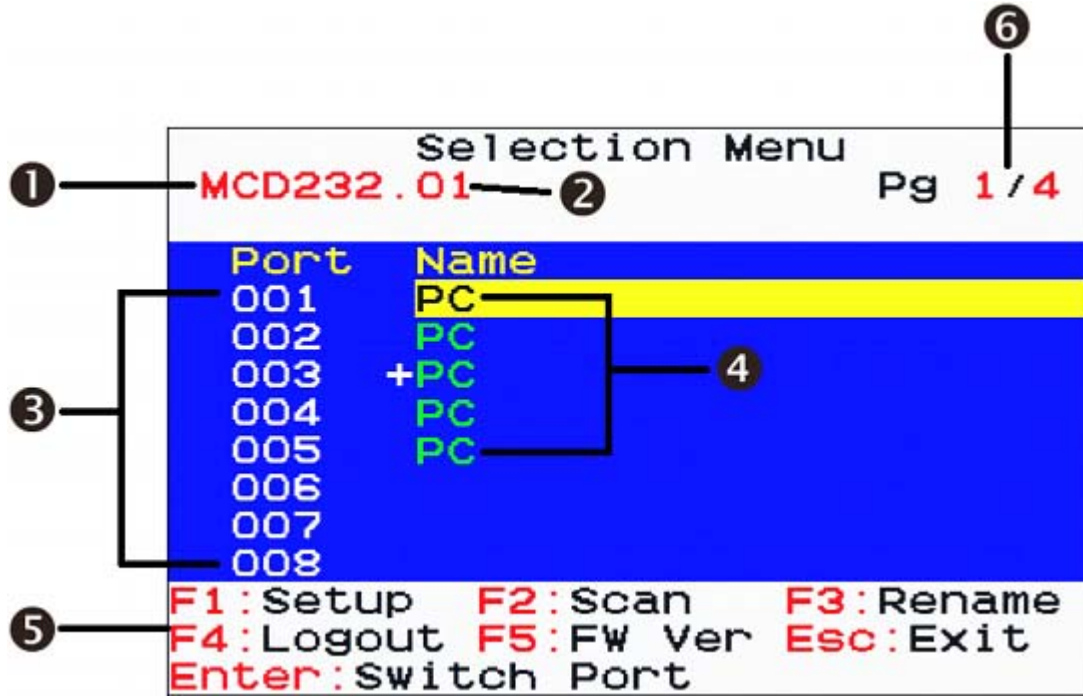
Login Screen



①	Device ID	The model name of your MCD switch.
②	User Port	The ID number of your console. <ul style="list-style-type: none"> • 01 refers to Console 1. • 02 refers to Console 2, which is only available on dual-user models.
③	User Name, Password	The fields for entering user credentials. For details, see <i>Login</i> (on page 25).

Selection Menu

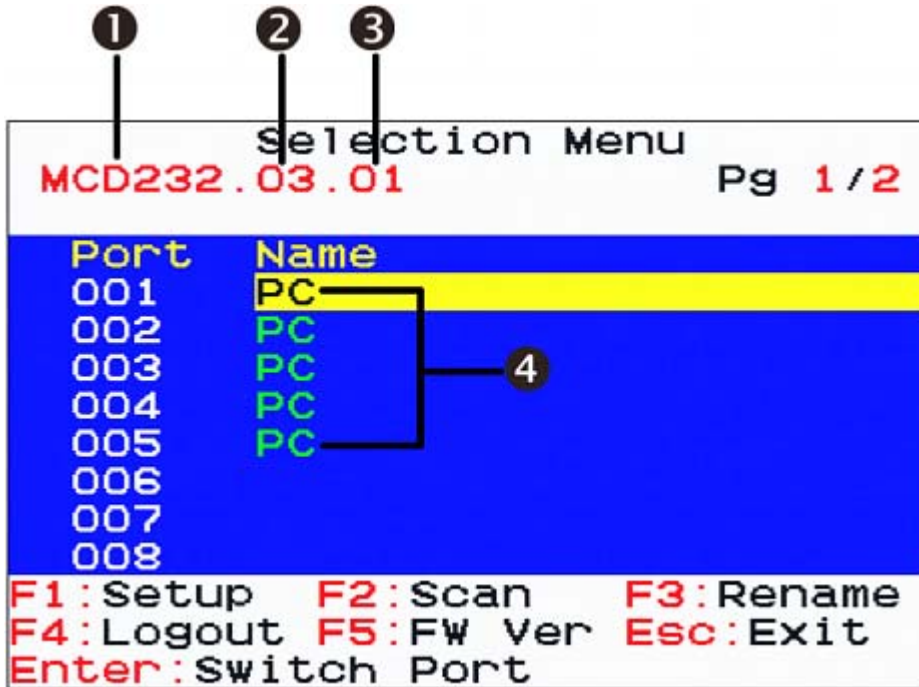
In addition to the OSD menu's main layout, the Selection Menu provides additional elements, which are helpful for locating and selecting channels.



①	Model name	Your MCD's model name.
②	Selected channel	The number of the channel that is being accessed.
③	Channel numbers	8 channel numbers of current page.
④	Channel names	<p>Available channel names of current page.</p> <ul style="list-style-type: none"> Per default an active channel's name is 'PC'. You must customize the channel names. See <i>Specifying Channel Names</i> (on page 34). The channel with a 2nd-tier MCD switch connected rather than a server is marked with the symbol +. For example, '+CH003' in the above diagram. Channel names change colors according to the channel status. See <i>Channel Colors</i> (on page 46).
⑤	Operation keys	Frequently-used keys for operating the current OSD.
⑥	Page information	The current page number and total pages.

► **2nd-tier Selection Menu:**

After selecting any channel with a 2nd-tier MCD switch connected, the Selection Menu of that switch appears.



①	Base switch's model name	Your 1st-tier MCD's model name.
②	1st-tier channel	The number of the 1st-tier channel where the 2nd-tier MCD switch is connected.
③	Selected 2nd-tier channel	The number of the 2nd-tier channel that is being accessed.
④	2nd-tier channel names	2nd-tier channel names. <ul style="list-style-type: none"> Per default an active channel's name is 'PC'. You must customize the channel names. See <i>Specifying Channel Names</i> (on page 34).

Channel ID

Whenever you access a channel, a channel ID is displayed onscreen. By default, it displays for only 5 seconds. To extend the display time, see *System Settings* (on page 38).

If you turn on the channel scan function, the channel IDs are also displayed to indicate the channel that is being scanned.

► Generic channel ID:

A channel ID on a standalone switch or on the base switch of a two-tier system looks similar to the following.

*Note: For information on two-tier systems, see **Two-Tier System** (on page 48).*



①	Channel number which is being selected
②	Channel name of the selected channel

► 2nd-tier channel ID:

On a two-tier system, if you select the channel of a 2nd-tier switch, its channel ID looks like the following.



①	1st-tier channel number where the 2nd-tier switch is connected
②	2nd-tier channel number which is currently selected
③	Channel name of the selected 2nd-tier channel

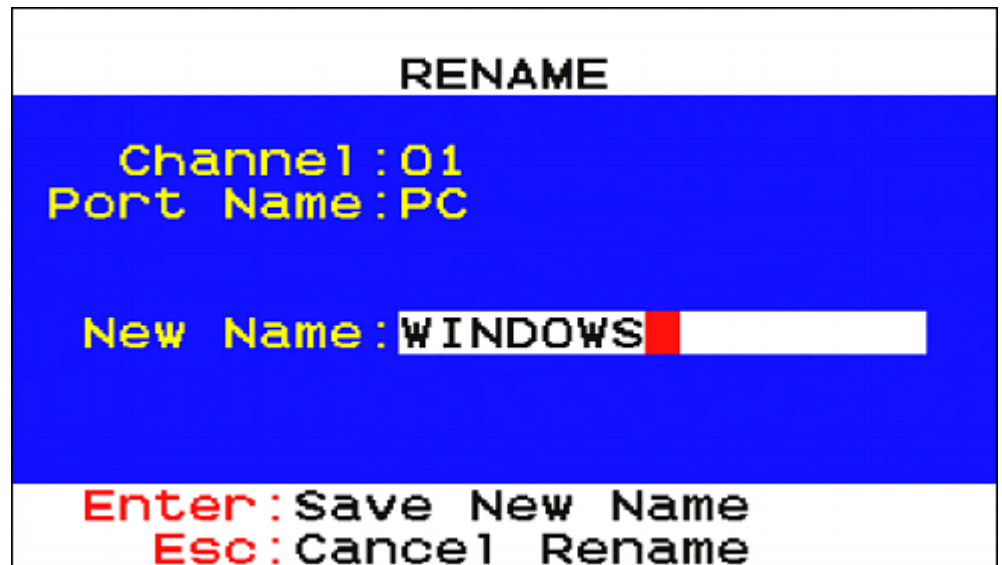
Specifying Channel Names

Default channel names for active channels are 'PC'. You have to assign unique channel names to identify each connected server.

Note that channel names are stored on each connected MDCIM or MDUTP. Therefore, you can only rename an "active" channel where a "powered" MDCIM or MDUTP is available. Besides, the channel name will disappear or be moved to another port if you swap the MDCIM or MDUTP to a different port.

► **To change channel names:**

1. If the OSD is not displayed, press the hot key **3 times**.
 - The default hot key is 'Scroll Lock.' To change it, see *System Settings* (on page 38).
2. On the Selection Menu, select an *active* channel and press F3.
 - If the desired channel is not shown on the current page, press Page Up or Page Down.
3. The RENAME page displays. Type a name up to 14 characters.



4. Press Enter to save the new name, or Esc to cancel it.
5. Repeat the same steps for additional channels.

User Management

The product provides one administrator and 127 user accounts.

- *Administrator account:*
Default name: admin
Default password: raritan
- *User accounts:*
Default names: user001 through user127
Default passwords are NOT available.

You CANNOT remove the built-in administrator and user accounts, but you can change their passwords or rename any user accounts.

Only the administrator can rename user accounts or change passwords.

► **To manage user names and passwords:**

1. Log in as the administrator -- that is, *admin*. For details, see *Login* (on page 25).
2. On the Selection Menu, press F1. The SETUP page displays.

```

SETUP
Oper Mode: PC SHARE
Port Timeout: 005Seconds
Scan Mode: All
Scan Time: 005Seconds
ID Display: 005Seconds
Position: Menu
          ID
          Hotkey: Scroll Lock
          Buzzer: ON
          Audio: ON
↑↓: Select      F5: User Config
←→: Change Settings
Esc: Save and Return

```

3. On the SETUP page, press F5. The User Configuration page displays.

User Configuration	
NO	Username
001	admin
002	user001
003	user002
004	user003
005	user004
006	user005
007	user006
008	user007
009	user008
010	user009

PageUp:Prev Page ↑:move up
PageDn:Next Page ↓:move down
Enter>Edit Esc:Exit

4. Press ↓ or ↑ to select the desired user.
 - Press Page Up or Page Down if the desired user is not shown on the current page.
5. Press Enter, and that user's password change page displays. Then follow either procedure below.
6. After finishing the user accounts changes, press Esc to exit the User Configuration page.

► **To change the administrator's password:**

1. In the New Password field, type the new password, and press Enter.
 - A password comprises up to 8 characters.
2. Re-type the password and press Enter.

- To abort the changes, press Esc instead.

```

Administrator
New Password: █
Confirm Password:
Enter: Confirm
Esc: Cancel and Return

```

► **To rename a user account and/or change the password:**

1. To rename it, type the new name in the User Name field, and press Enter. The name can comprise up to 16 characters.
 - To keep the user name unchanged, simply press Enter without typing any characters.
2. In the New Password field, type the new password, and press Enter.
 - A password comprises up to 8 characters.
3. Re-type the password, and press Enter.
 - To abort the changes, press Esc instead.

```

User Name: User001
New Password:
Confirm Password:
Enter: Confirm
Esc: Cancel and Return

```

Important: It is recommended to note down all user names and passwords, and keep the data in a secure location.

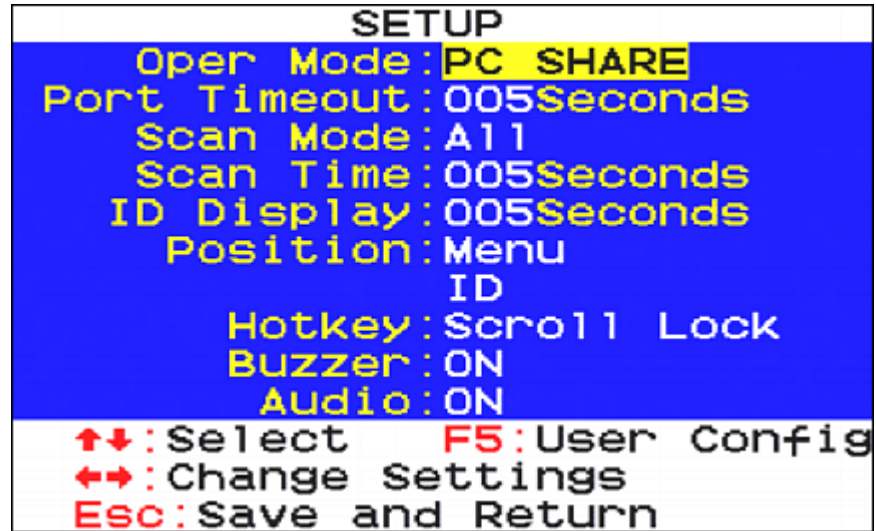
System Settings

You can adjust the MCD system settings, such as changing the hot key or scan rate. Only the administrator has the permission to change system settings.

► **To change system settings:**

1. Log in as the administrator -- that is, *admin*. For details, see *Login* (on page 25).
2. On the Selection Menu, press F1. The SETUP page displays.

Note: The two settings 'Oper Mode' and 'Port Timeout' are available on dual-user models only. One-user models, including MCD-LED series, do NOT have the two fields.



3. Press ↓ or ↑ to select the desired setting. For details, see *Available Settings and Options* (on page 38).
4. Press ← or → to select the preferred option.
5. To save changes and exit the SETUP page, press Esc.

Available Settings and Options

This section describes the functions and options of each item on the SETUP page. See *System Settings* (on page 38).

Field	Options/values	Function
Oper Mode (for dual-user models)	PC SHARE, or PRIVATE	The operation mode determines whether two users of a "dual-user" model can access the same channel or not. <ul style="list-style-type: none"> ▪ <i>PC SHARE</i>: Both users can access the same channel simultaneously, but only the user who first presses the keyboard or moves the mouse can control the server. The other user can only view the video. Note that the controlling user loses the server control if remaining idle for the period of time defined in the 'Port Timeout' field. ▪ <i>PRIVATE</i>: When one user is accessing a channel, the other user cannot access the same channel until the first user exits that channel.
Port Timeout (for dual-user models)	5 to 60 seconds	This field determines how long the user can remain idle after accessing any channel. Once the timeout expires, the user loses the server control, and the other user, if available, can gain the server control.
Scan Mode	All, or PC ON	This determines which servers will be scanned after activating the channel scan function. See Channel Scan (on page 41). <ul style="list-style-type: none"> ▪ <i>All</i>: All channels are scanned. ▪ <i>PC ON</i>: Only active channels are scanned. See Active and Inactive Channels (on page 45).
Scan Time	5 to 255 seconds (at an interval of 5 seconds)	This determines how long each channel's video is displayed during the channel scan.
ID Display	5 to 25 seconds, or ALL	This determines how long each channel's ID appears onscreen after selecting any channel. See Channel ID (on page 33).
Position	Menu, or ID	Select Menu or ID in order to adjust its position on the screen. <ul style="list-style-type: none"> ▪ <i>Menu</i>: Main OSD pages, such as Selection Menu and the login screen. ▪ <i>ID</i>: Channel ID. For instructions, see Adjusting the OSD Position (on page 40).
Hotkey	Scroll Lock, Caps Lock, or Num Lock	This determines the hot key used for: <ul style="list-style-type: none"> ▪ Triggering the OSD. ▪ Selecting a channel when the OSD is not shown.
Buzzer	ON or OFF	Turn on or off the buzzer of the MCD switch.

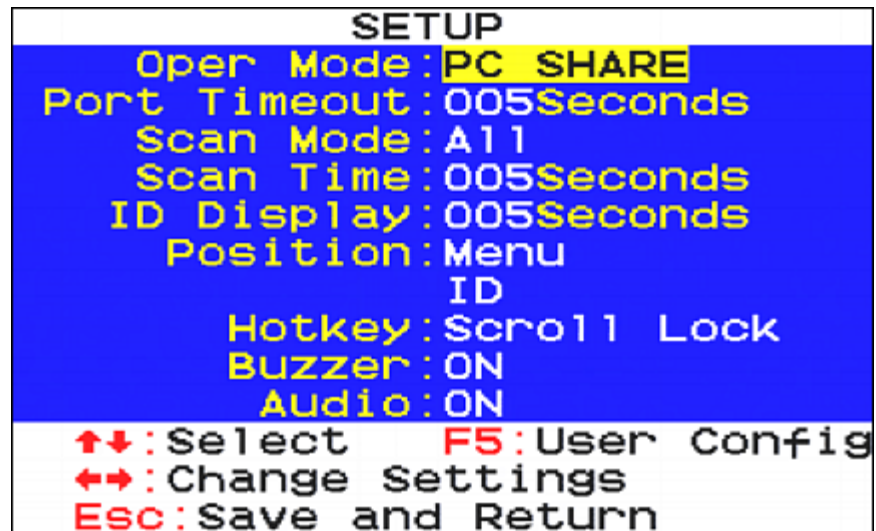
Field	Options/values	Function
Audio	ON or OFF	<p>Turn on or off the audio support.</p> <ul style="list-style-type: none"> ▪ ON: Turn on the audio. This is the default. ▪ OFF: Mute the audio. <p><i>Note: If you turn off the audio functionality, no audio is available even though you use an audio-capable MDCIM or MDUTP.</i></p>

Adjusting the OSD Position

You can adjust the onscreen position of the main OSD or the channel ID. Only the administrator can determine the OSD position.

► **To adjust the OSD position:**

1. Log in as the administrator -- that is, *admin*. For details, see *Login* (on page 25).
2. On the Selection Menu, press F1. The SETUP page displays.



3. Press **↓** or **↑** to select the desired option in the Position field - Menu or ID.
 - *Menu*: Main OSD pages, such as Selection Menu and the login screen.
 - *ID*: Channel ID.
4. Press **←** or **→** to enter the position-moving mode, which is indicated by the presence of either diagram shown below:

- *Menu:*

```

SETUP
Oper Mode:PC SHARE
Port Timeout:005Seconds
Scan Mode:PC ON
Scan Time:005Seconds
ID Display:005Seconds
Position:Menu
          ID
          Hotkey:Scroll Lock
          Buzzer:ON
          Audio:ON
←:move left      →:move right
↑:move up        ↓:move down
Esc:Save and Return

```

- *ID:*

```

↑↓←→:To Move
Esc:Save and Return

```

5. Now move it to the position you prefer by pressing the arrow keys.
6. To confirm the new position, press Esc. Then the OSD returns to the SETUP page shown in step 2.
7. To exit the SETUP page, press Esc.

Channel Scan

You can turn on the Scan function to have the MCD automatically display the video of every channel one by one on the screen. If the system scans a channel port where a 2nd-tier switch is connected, it will scan all channels of the 2nd-tier switch first before proceeding with the next channels on the base switch.

Before turning on the scan function, make sure the Scan Mode and Scan Rate settings meet your needs. See *Available Settings and Options* (on page 38).

► To activate the channel scan:

1. If the OSD is not displayed, press the hot key **3 times**.
 - The default hot key is 'Scroll Lock.' To change it, see *System Settings* (on page 38).
2. On the Selection Menu, press F2 to activate the scan mode.
3. The scan starts from the channel next to the currently-selected channel.

A channel ID including the word 'SCAN' will be displayed for each scanned channel. The following illustrates the channel IDs during scanning.

- Generic channel ID comprising the word 'SCAN', channel number and name

SCAN 01 PC

- 2nd-tier channel ID comprising the word 'SCAN', 1st-tier channel number, 2nd-tier channel number and 2nd-tier channel name

SCAN 03-01 PC

► **To end the channel scan:**

1. Press any key on the keyboard.
2. The channel ID's format returns back to normal, indicating the scan mode ends. For details on channel IDs, see *Channel ID* (on page 33).

- Generic channel ID

01 PC

- 2nd-tier channel ID

03-01 PC

Video Adjustment

You can adjust the following video properties of the channel that is being accessed.

- Brightness
- Contrast

► **To adjust a channel's video:**

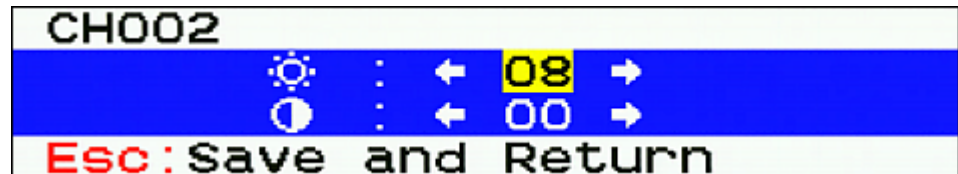
1. Select the desired channel to have its video shown on the screen. See *Accessing a Server* (on page 26).

2. Press the hot key **twice**, then the letter "c" and finally press Enter.



With the default hot key "Scroll Lock", you should press:

Scroll Lock > Scroll Lock > C > Enter

3. The following video properties appear onscreen.



4. Press **↑** or **↓** to select the video brightness or contrast.

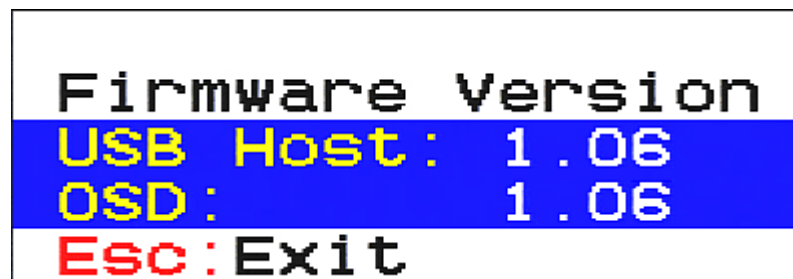
- : Brightness
 - : Contrast
5. Press ← or → to adjust the value after the cursor is located in the desired video property.
 6. Press Esc to save the changes and exit.

Viewing Firmware Version

You can check the current versions of OSD and USB driver implemented on the MCD to determine whether it is necessary to update your MCD. See *Firmware Upgrade* (on page 62).

► **To view the current firmware version:**

1. If the OSD is not displayed, press the hot key **3 times**.
 - The default hot key is 'Scroll Lock.' To change it, see *System Settings* (on page 38).
2. On the Selection Menu, press F5. The firmware information displays.



3. To exit, press Esc.

Resetting to Factory Defaults

You may clear current system settings and have all settings return to factory defaults. These settings include:

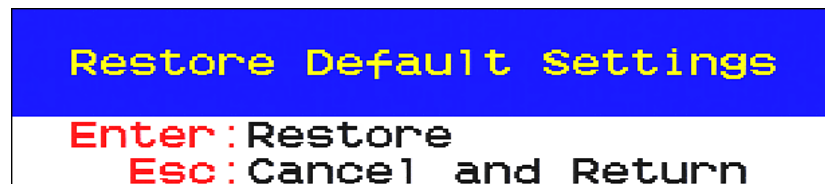
- All settings on the SETUP page.
- All user accounts on the User Configuration page.

Restoring factory defaults does NOT require the administrator permission.

Exception: Channel names are stored on the MDCIMs or MDUTP cables so they are NOT reset to factory defaults.

► **To reset system settings:**

1. Log out to show the Login screen. See **Logout** (on page 28).
2. Press Ctrl + Shift + F10. The following message appears.



3. Press Enter to proceed with the factory reset. The following message appears.
 - To cancel instead, press Esc.



4. Wait until the Login screen re-appears, indicating the reset is completed.

More Channel Information

Active and inactive channels are determined with the power status of the connected MDCIM or MDUTP cable.

The default color of an active channel is green, but on a dual-user model, an "active" channel may change its colors to indicate that it is being accessed by the other user.

Active and Inactive Channels

An active channel shows its channel name, while an inactive channel does not show any channel name.

▶ Active channels:

The MCD switch recognizes a channel as being active when it detects that the channel port is connected to a "powered" MDCIM or MDUTP cable.

A MDCIM or MDUTP cable is powered as long as it receives power via the USB connector. Therefore, it is always powered when plugged into a server that is turned ON, but may or may not be powered when the server is turned OFF, which depends on the server's design.

▶ Inactive channels:

The MCD switch recognizes a channel as being inactive when it does *not* detect that the presence of a powered MDCIM or MDUTP cable, which involves these scenarios:

- No MDCIM or MDUTP cable is connected to the channel port.
- A MDCIM or MDUTP cable is connected to the channel port, but it is unpowered because the server is turned OFF.
- A MDCIM or MDUTP cable is connected to the channel port, but it is unpowered because its USB connector is not plugged into any server.

Channel Colors

Colors of active channels' names on a *dual-user* model may change. See *Dual-User Models* (on page 6).

Color	Channel status
Green	<p>This is an active channel that you can access.</p> <ul style="list-style-type: none"> In the Private mode, active channels are green as long as the other user is NOT accessing them. In the PC Share mode, every active channel is green no matter the other user is accessing it or not.
Red	<p>This is a channel which you <i>cannot</i> access.</p> <ul style="list-style-type: none"> In the Private mode, a channel turns red when the other user is accessing it. If the accessed channel is on a 2nd-tier switch, the tiered channel turns red and you cannot access any channel on that 2nd-tier switch. In the PC Share mode, the tiered channel turns red when the other user is accessing a channel on the 2nd-tier switch. Then you cannot access any channel on that 2nd-tier switch. <hr/> <p><i>Tip: In the PC Share mode, the tiered channel does not turn red if the other user is only viewing the 2nd-tier channel list and has not accessed any 2nd-tier channel. At this time, you can select the same 2nd-tier switch and even access any 2nd-tier channel.</i></p>

For information on Private and PC Share modes, see *Available Settings and Options* (on page 38).

Releasing a Channel in the PC Share Mode

This section applies to dual-user models only.

The product provides two operation modes: Private and PC Share mode. Private mode allows only one user to access a channel at a time, but PC Share mode allows two users to access the same channel simultaneously.

PC Share mode functions when the administrator has turned on the PC Share mode. See *Available Settings and Options* (on page 38).

▶ To share access to servers:

1. Ensure that the PC Share mode is activated or applied.
2. Now you can share the same channel with the other user. Depending on the channel access sequence, you may or may not be able to control the server.
 - If you access the channel earlier than the other user — you can control the server, and the other user can only view the video.
 - If you access the channel later than the other user — the other user can control the computer, and you can only view the video.

▶ To release the server control:

1. If you are the controlling user, you can release the server control by doing one of these:
 - Exit from the current channel by selecting another channel or logging out.
 - Both of you and the other user who accesses the same channel stop using the keyboard and mouse for 5 seconds.
2. After the server control is released, any user who first presses any key or moves the mouse gains the server control.

Chapter 6 Two-Tier System

You can connect multiple MCD KVM switches to organize a two-tier system, expanding the number of available channels. Different MCD models can be mixed in the system. If the system completely comprises MCD-232 models, the number of connected servers can be expanded to 1024.

In This Chapter

Overview	48
Establishing a Two-Tier System	49
Accessing or Exiting 2nd-Tier Channels.....	53

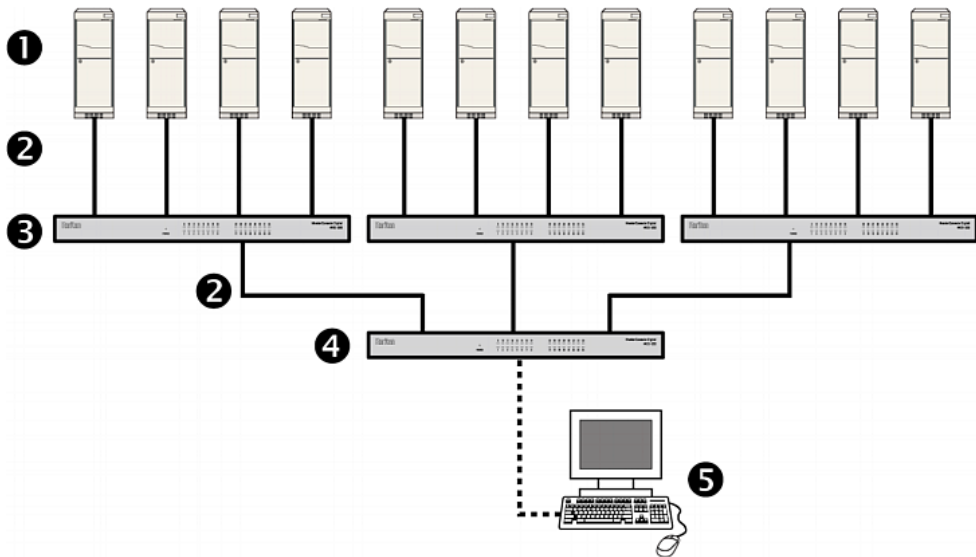
Overview

To organize a "two-tier" system, just connect one or multiple MCD switches to a MCD switch.

All MCD switches connected to the same MCD switch are the SECOND-TIER devices, and the FIRST-TIER MCD switch that connects these second-tier devices is the "base switch".

You can also connect multiple MCD switches to one MCD-LED KVM drawer to form a two-tier system. However, the MCD-LED KVM drawer can never be a 2nd-tier device.

Servers can be connected to any available channel ports in the system, including channel ports on the base switch.



①	Servers or computers
②	Cat5 UTP cables
③	2nd-tier MCD switches
④	MCD KVM switch (or MCD-LED KVM drawer) as the base switch
⑤	Keyboard, mouse, and monitor

Limitations of the Two-Tier System

The two-tier system has several limitations.

- There is only one path (Cat5e/6 UTP cable) between the base switch and each 2nd-tier switch. When a user from the base switch is accessing any channel of a 2nd-tier switch, there are no other paths left for the other user from the base switch to access the same 2nd-tier switch's channels.
- When using a dual-user model as the 2nd-tier switch, the base switch must be connected to this 2nd-tier switch's 'Console 1' connector. You cannot connect the base switch to its 'Console 2' connector.
- When a dual-user model operates as a 2nd-tier switch, its 'Console 2' connector is automatically disabled so DO NOT connect a local keyboard/mouse/monitor to its 'Console 2'.

Establishing a Two-Tier System

Major steps include:

- STEP (a): Connect the 2nd-tier switch(es) to the base switch
- STEP (b): Connect the keyboard, mouse, monitor and audio devices to the base switch
- STEP (c): Connect servers to the two-tier system

Step (a): Connect 2nd-Tier Switches to the Base Switch

You can mix identical or different MCD models in a two-tier system. For example, you may connect a MCD-116 switch to a MCD-232 base switch.

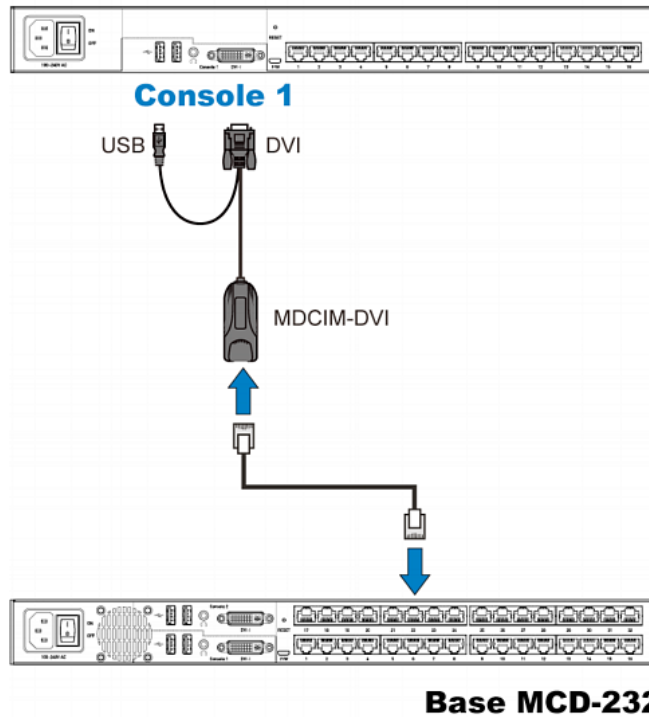
► **To cascade MCD switches:**

1. Turn OFF all MCD switches, including the base switch.
2. Connect the 2nd-tier MCD switch to the base switch via one MDCIM-DVI.

Note: If support for audio transmission with the 2nd-tier switch is required, you must use the MDUTP cable and a Raritan's DVI-I to VGA adapter to connect the 2nd tier.

- a. Plug the connectors of the MDCIM or MDUTP into the 'Console 1' connectors of the 2nd-tier switch. You CANNOT connect them to 'Console 2'.
- b. Use a standard network patch cable (Cat5e/6 UTP) to connect the 2nd-tier MDCIM to any channel port of the base switch.

Tiered MCD-116



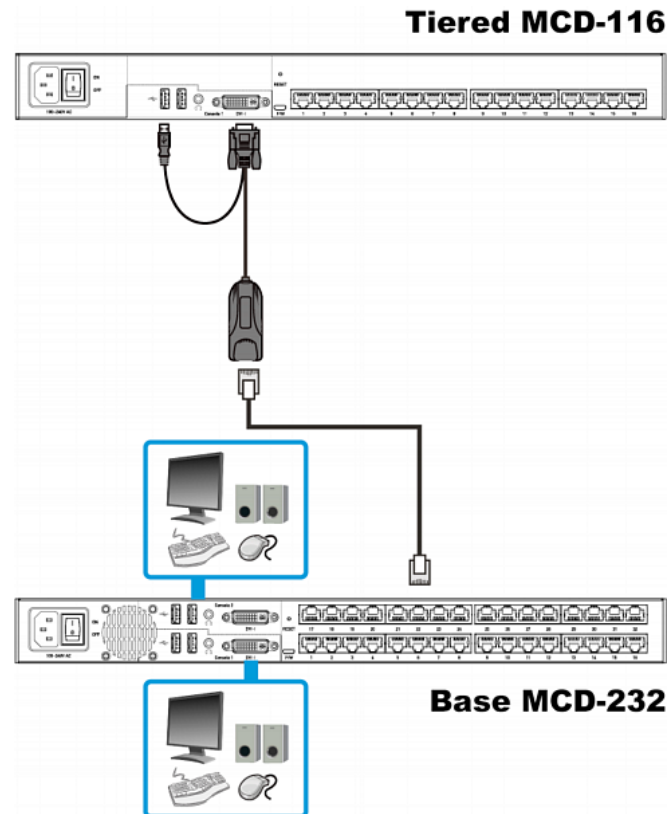
3. Repeat the above step to connect more 2nd-tier switches to the base switch.
4. Turn on all "2nd-tier" switches.
5. Turn on the base switch.

Important: Turn on 2nd-tier switches prior to the base switch so that the base switch downloads up-to-date channel data from the 2nd tier.

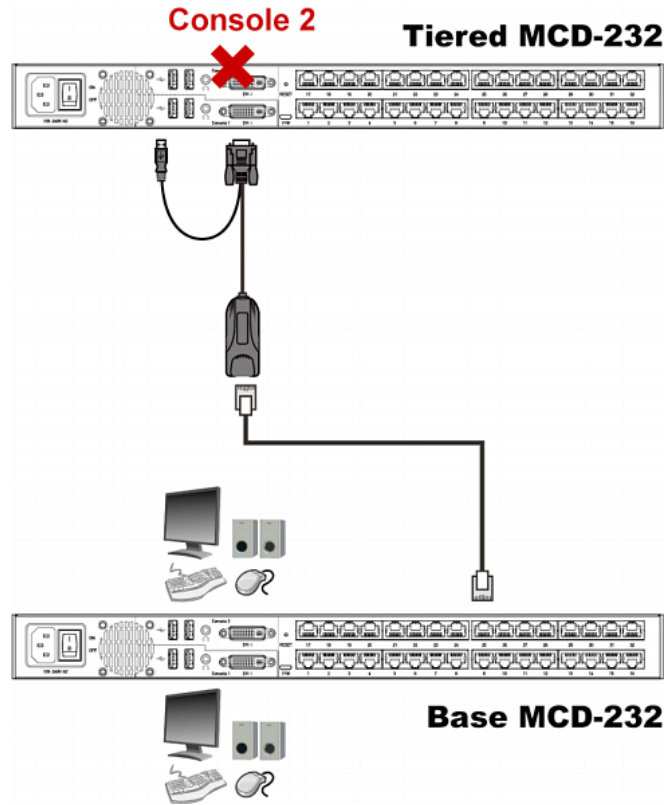
Step (b): Connect Keyboards, Mice, Monitors and Audio Devices

You must connect one or two sets of keyboards, mice and monitors to the base switch.

For details on connecting keyboards, mice, monitors and optional audio input devices, see *Step B: Connect the Keyboard/Mouse/Monitor* (on page 21).

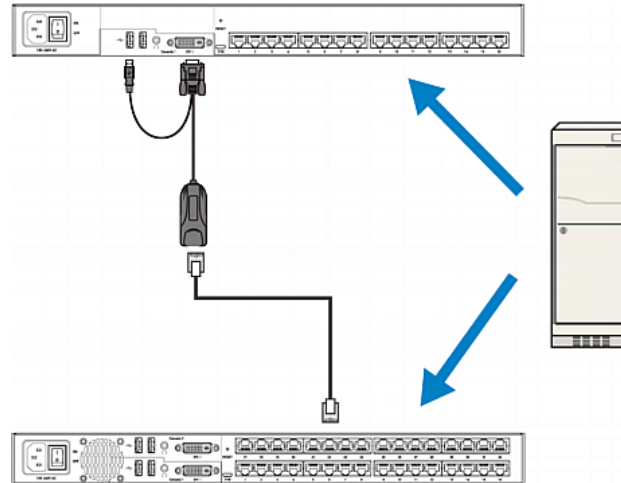


Warning: If any 2nd-tier switch is a dual-user MCD model, DO NOT connect a keyboard, mouse and monitor to Console 2 because Console 2 is disabled.



Step (c): Connect Servers

You can connect servers to any channel ports in the two-tier system, including those on the base and second-tier switches.



For details on server connections, see *Basic Installation* (on page 20).

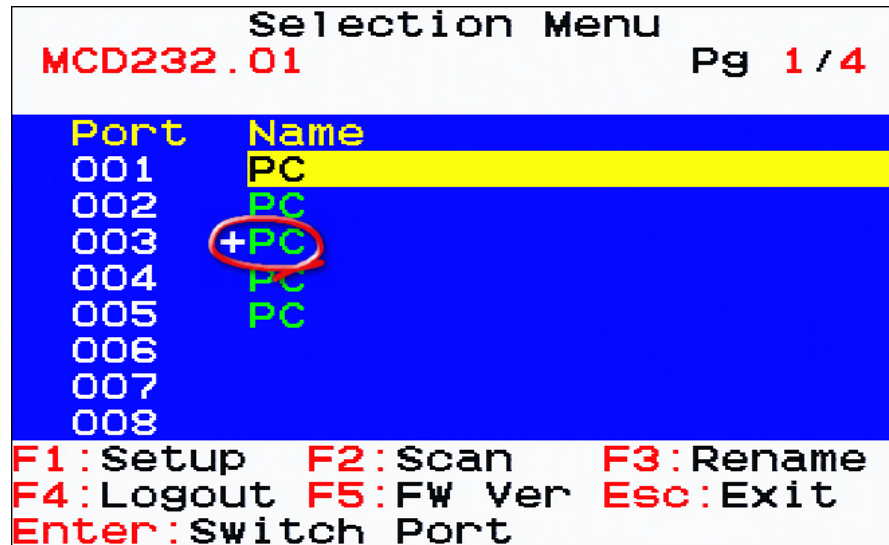
Accessing or Exiting 2nd-Tier Channels

The only method to access the 2nd-tier channels is the OSD's Selection Menu. To return to the base switch's channels, you also have to operate the Selection Menu.

► **To access the 2nd-tier channels:**

1. If the OSD is not displayed, press the hot key **3 times**.
 - The default hot key is 'Scroll Lock.' To change it, see *System Settings* (on page 38).
2. On the Selection Menu, press **↓** or **↑** to select the channel where the 2nd-tier switch you want to access is connected.
 - A channel connected to a 2nd-tier switch is marked with the symbol +.

- If the desired 2nd-tier switch is not listed on the current page, press Page Down or Page Up.



3. Press Enter. The Selection Menu of the selected 2nd-tier switch appears, showing a list of 2nd-tier channels.
 - To identify a 2nd-tier switch's Selection Menu, see *Selection Menu* (on page 31).
 4. Select the desired channel and press Enter.
 5. The video of the selected channel displays on the screen, with its channel ID shown for seconds. See *Channel ID* (on page 33).
 - Now you can view or control the server being accessed.
- **To return to the base switch from a 2nd-tier channel:**
1. If the OSD is not displayed, press the hot key **3 times**.
 2. On the Selection Menu, press the letter 'R'.
 - You can press the uppercase 'R' or lowercase 'r' because this hot key is NOT case sensitive.
 3. The Selection Menu of the base switch appears, showing a list of the base switch's channels.

Chapter 7 MCD-LED Display's OSD Menu

You can customize the video properties of the LED display of a MCD-LED KVM drawer by configuring the OSD menu for the LED LCD display.

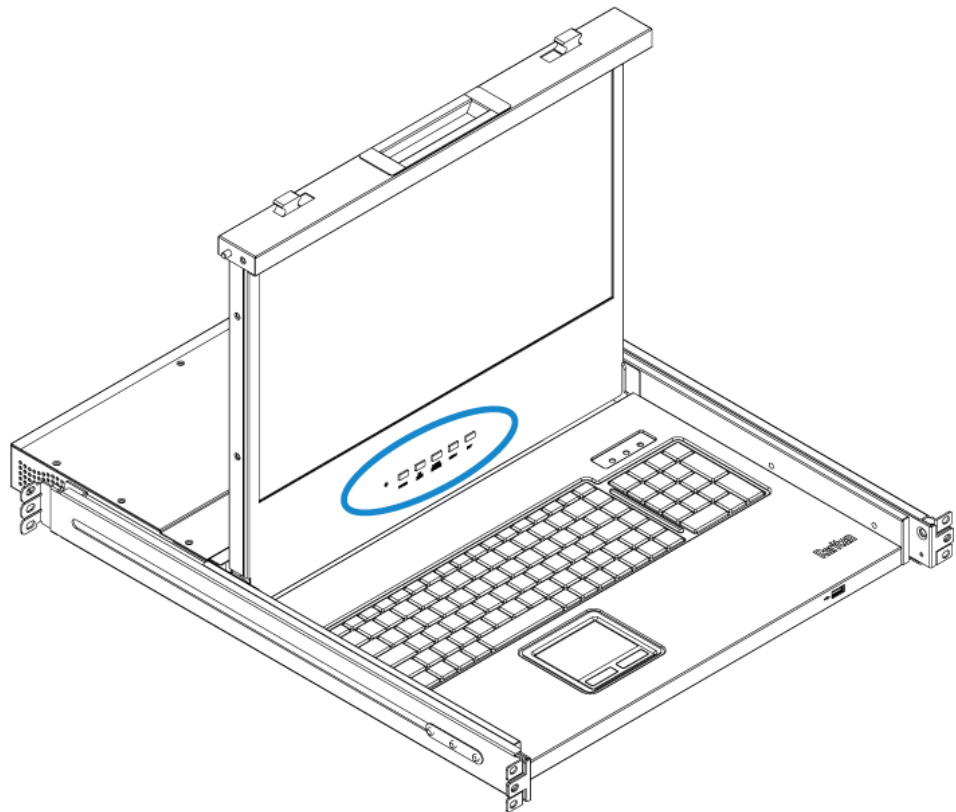
In the following context, the name 'LED OSD' refers to the OSD menu for the LED display, not the OSD for channel selection and system settings.

*Note: The OSD settings described in this chapter are different from those for channel selection and system settings, which are described in the chapter titled **Using the On-Screen Display Interface** (on page 29).*

In This Chapter

OSD Buttons on the LED Display	55
Onscreen Menu	56
Selecting the Preferred Video Output	61

OSD Buttons on the LED Display



Buttons	Function
POWER	Power on/off the built-in LED display. The LED indicator lamp indicates the current power on/off status. <ul style="list-style-type: none"> ▪ Light off = LED display power off ▪ Light on = LED display power on
UP/AUTO	This button has two functions: <ul style="list-style-type: none"> ▪ When no 'LED OSD' is displayed, pressing this button optimizes the visual settings. ▪ While the 'LED OSD' is being displayed, pressing this button moves up the selection.
DOWN/SOURCE	This button has two functions: <ul style="list-style-type: none"> ▪ When no OSD is displayed, this button is used to select the video signal output - VGA or DVI. For details, see <i>Selecting the Preferred Video Output</i> (on page 61). ▪ While the 'LED OSD' is being displayed, pressing this button moves down the selection.
MENU	This button has two functions: <ul style="list-style-type: none"> ▪ When no 'LED OSD' is displayed, pressing this button triggers the 'LED OSD' menu. ▪ While the 'LED OSD' is being displayed, this button functions as the Enter key and can be used to confirm the selection.
EXIT	Quit the current 'LED OSD' setup page or menu.

Onscreen Menu

The onscreen menu for the LED display contains eight items: four are related to the visual quality, two are related to the 'LED OSD' settings, one is to show the current video information, and one is used to restore the 'LED OSD' settings to factory defaults.

Auto Adjust



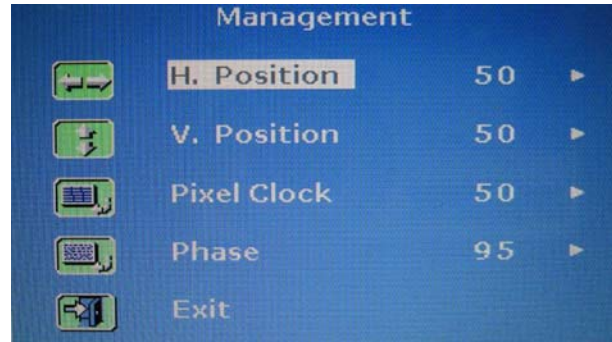
- Auto Adjust:
Fine tune the video signals to eliminate waviness and distortion. An "Auto Adjusting" message is displayed during the process.

Luminance



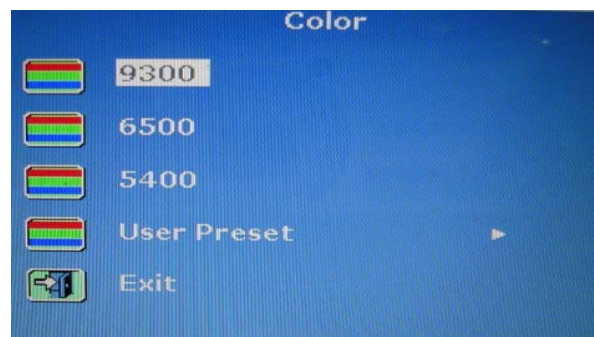
- Brightness:
Make the screen image brighter or darker.
- Contrast:
Adjust the difference between the background black level and foreground white level.
- Black Level:
Adjust the black level of the screen image.
- Sharpness:
Fine tune the sharpness of the screen image.

Management



- H. Position:
Move the screen image left or right.
- V. Position:
Move the screen image up or down.
- Pixel Clock:
Adjust the clock/pitch to synchronize the sampling clock of the LED display with the pixel clock of the connected equipment. This adjustment is needed only for VGA signals when Auto Tune does not get the optimum video performance and vertical dark bands are visible on the screen.
- Phase:
Adjust the phase to synchronize the frequency settings of the LED display with the frequency output of the connected equipment. Perform this adjustment only when horizontal streaking is seen on the screen.

Color

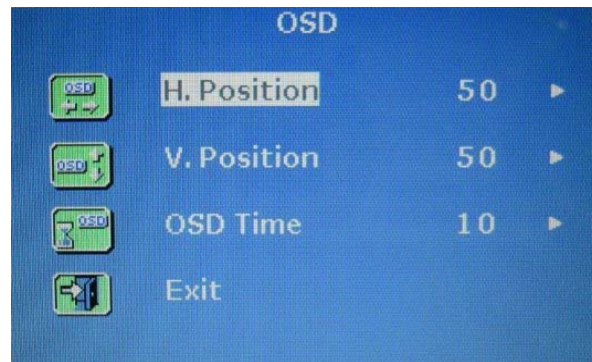


Select the screen color temperatures. The factory default is 6500K.

- 9300:
Add blue to the screen image, making the white cooler.

- 6500:
Add red to the screen image, making the white warmer.
- 5400:
Add green to the screen image, making the white cooler.
- User Preset:
Adjust red, green and blue colors respectively.

OSD



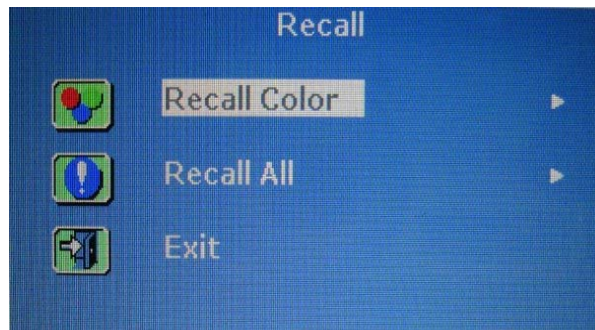
- H. Position:
Adjust the horizontal position of the 'LED OSD'.
- V. Position:
Adjust the vertical position of the 'LED OSD'.
- OSD Time:
Set the time duration in seconds for which the 'LED OSD' remains visible after the last button is pressed. The factory default is 10 seconds.

Language



Select the language in which the 'LED OSD' menu is displayed. Available options include English, Chinese, Japanese, Deutsch, Français, Español, Italiano, Korean, Portuguese and Russian.

Recall



- Recall Color:
Reset all colors to factory defaults.
- Recall All:
Reset all settings to factory defaults except for the language setting.

A confirmation message appears after selecting either Recall option. Press UP/AUTO to select Yes and then press MENU to confirm the operation.

Information



- Display Information:
Display the current resolution and frequency information on the screen.

Selecting the Preferred Video Output

The MCD-LED converts the video input signals to both VGA and DVI video signals. By default all video is displayed with VGA signals on the LCD display. You can switch to DVI signals if higher video quality is preferred.

► **To switch between VGA or DVI signals:**

1. Make sure there is no 'LED OSD' shown onscreen.
2. Press the DOWN/SOURCE button on the LCD panel. The 'LED OSD' appears, showing two options - VGA and DVI.
3. Press the UP/AUTO or DOWN/SOURCE button to select a video output type.
4. Press MENU to confirm your selection.

Chapter 8 Firmware Upgrade

You can upgrade the firmware of the MCD switch, MCD-LED KVM drawer, or MDCIM/MDUTP to benefit from the latest enhancements and features whenever new firmware is released on the Raritan website.

Note that the firmware upgrade utilities and firmware files for the KVM switch and MDCIM/MDUTP are different.

In This Chapter

- Upgrade Procedure Overview 62
- Step 1: Download the Latest Firmware and Upgrade Utility..... 63
- Step 2: Connect the Desired Switch to the Computer Running the Upgrade Utility..... 63
- Step 3: Launch the Upgrade Utility for the Switch 65
- Step 2A: Launch the Upgrade Utility and Connect MDCIM/MDUTP..... 67

Upgrade Procedure Overview

MCD and MCD-LED share the same firmware upgrade procedure and firmware files. In this chapter, the name 'MCD' refers to both MCD switches and MCD-LED KVM drawers unless otherwise specified.

► **Procedure to upgrade the MCD switch:**

Step 1: Download the Latest Firmware and Upgrade Utility (on page 63)

Step 2: Connect the Desired Switch to the Computer Running the Upgrade Utility (on page 63)

Step 3: Launch the Upgrade Utility for the Switch (on page 65)

To upgrade more MCD switches, just repeat steps 2 and 3 for each additional switch.

► **Procedure to upgrade the MDCIM or MDUTP:**

Step 1: Download the Latest Firmware and Upgrade Utility (on page 63)

Step 2A: Launch the Upgrade Utility and Connect MDCIM/MDUTP (on page 67)

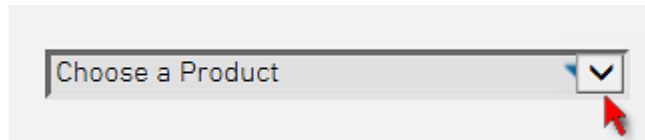
To upgrade more MDCIM or MDUTP cables, just repeat step 2A for each additional MDCIM or MDUTP.

Step 1: Download the Latest Firmware and Upgrade Utility

The latest firmware and upgrade utilities for both the MCD switch and MDCIM/MDUTP can be downloaded from the Raritan website's *Support page* (<http://www.raritan.com/support/>).

► **To download the firmware and upgrade utilities:**

1. Visit the Raritan website (www.raritan.com).
2. Click **Support** on the top.
3. Choose the MasterConsole Digital (MCD) series product from the 'Choose a Product' list.



4. In this product's section, look for the desired firmware upgrade file and click it to start the download.
5. (Optional) If the downloaded file does not include the 'release notes' document, locate the release notes in the same section, and click it to download it.
6. Read the release notes prior to start the firmware upgrade.

Step 2: Connect the Desired Switch to the Computer Running the Upgrade Utility

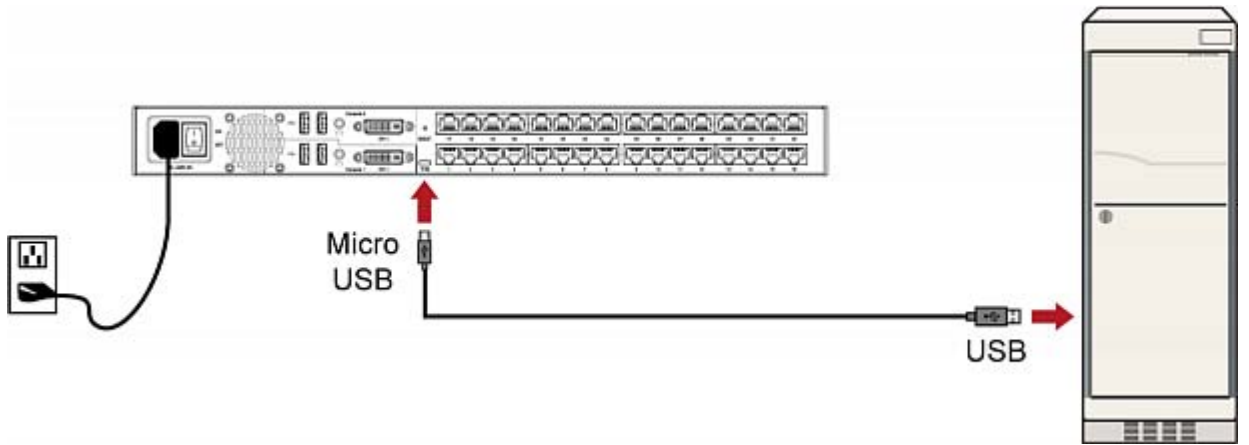
You must connect the desired KVM switch to the USB port of the computer where the firmware file and upgrade utility is available.

A Micro-USB to USB-A cable is required.

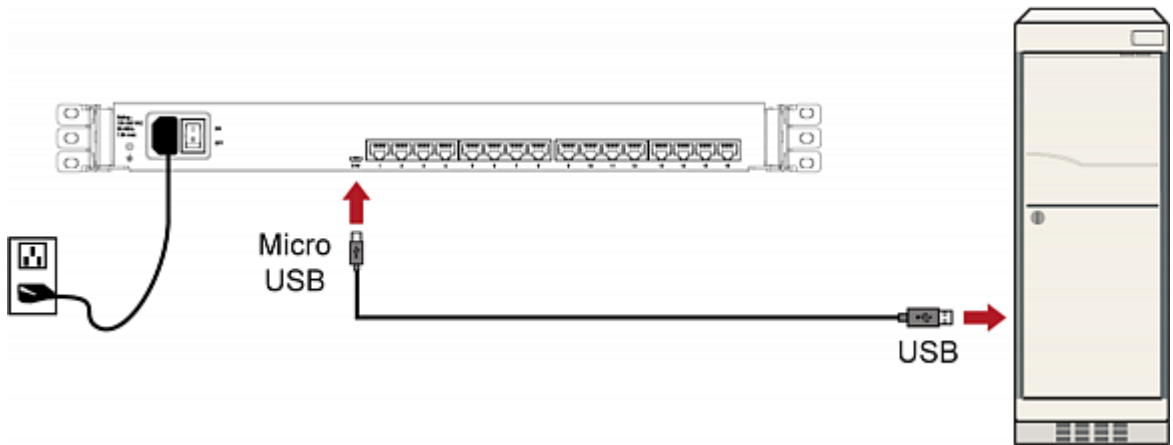
► **To connect the switch to the computer:**

1. Make sure the MCD switch you will upgrade has been powered ON.
2. Connect the computer and the switch via a Micro-USB to USB-A cable.
 - a. Plug the Micro-USB end of the cable into the firmware upgrade connector on the switch.
 - b. Plug the USB-A end of the cable into the USB port on the computer.

- MCD switch:



- MCD-LED KVM drawer:



Step 3: Launch the Upgrade Utility for the Switch

The following procedure applies to MCD switches and MCD-LED KVM drawers, but NOT to MDCIM/MDUTP.

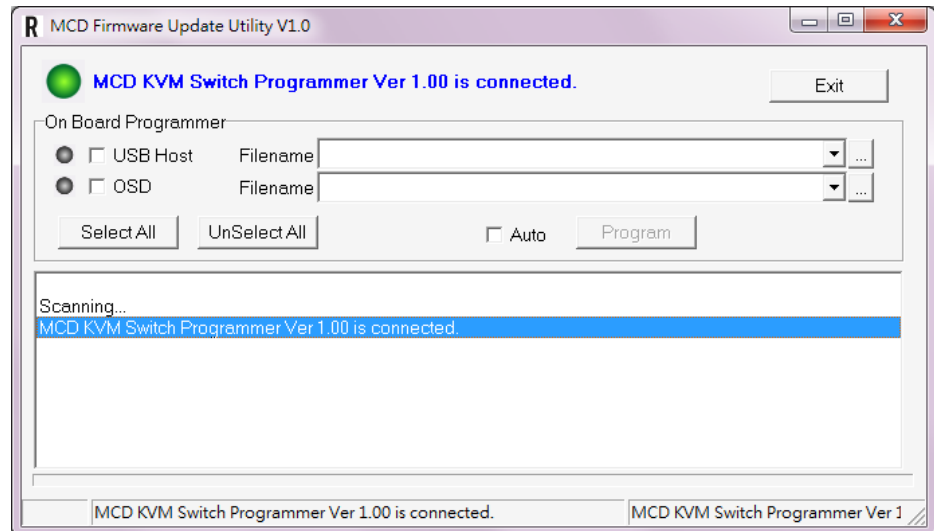
To ensure the success of the upgrade, always use the latest upgrade utility downloaded along with the MCD firmware.

There are two MCD firmware files available for the switch.



Filename	Description
MCD_USB_HOST_XXX.usb (XXX is the version number)	This file upgrades the USB functionality of the switch.
MCD_OSD_XXX.osd	This file upgrades the OSD functionality of the switch.

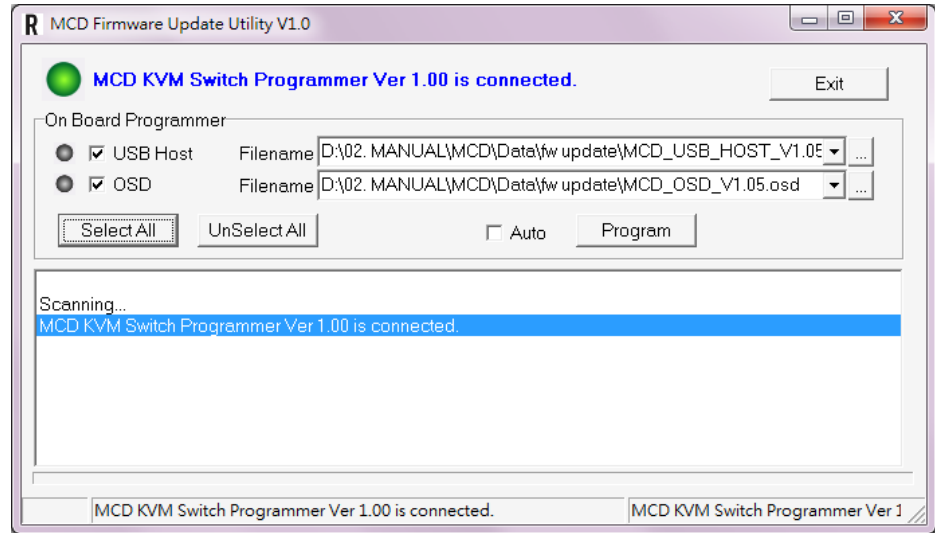
► **To perform firmware upgrade for the switch:**

1. Double-click the upgrade utility — `Prog182S.exe`. The upgrade utility opens.

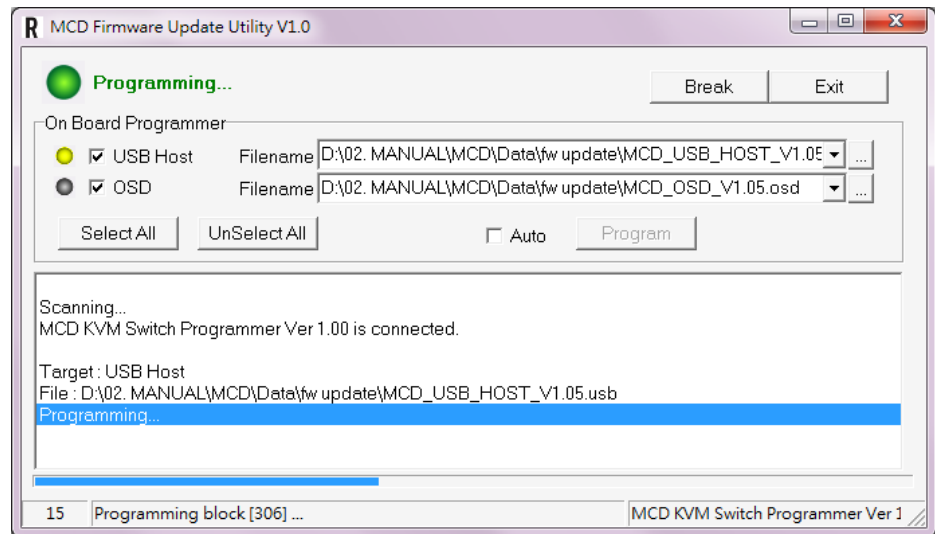


2. Verify whether the utility detects the connected MCD switch. If yes, a green bullet and blue text as shown above is displayed on the top of the utility.
 - If not, the top-left bullet does not turn green, and the red text is displayed on the top instead.

3. To upgrade the USB functionality, click  in the row of the "USB Host" to select the appropriate MCD USB file.
4. To upgrade the OSD functionality, click  in the row of the "OSD" to select the appropriate MCD OSD file.
5. Select the checkbox of the functionality that you want to upgrade. To upgrade both functionalities, simply click Select All.

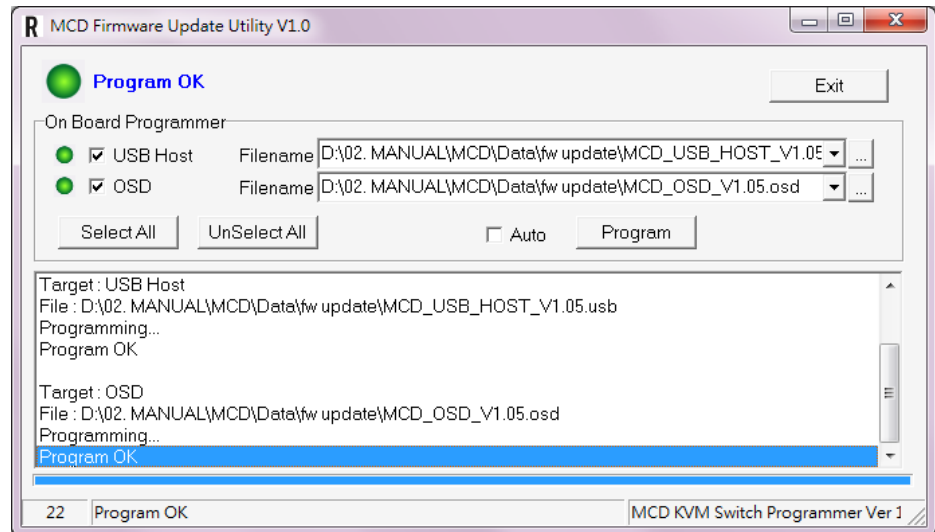


6. Click Program to start the upgrade. The upgrade progress is displayed at the bottom.



7. When the upgrade completes, verify the upgrade result. If it is successful, a green bullet and blue text 'Program OK' is displayed on the top of the utility.

- If the upgrade fails, the top-left bullet does not turn green, and red text is displayed on the top instead.



8. If there are more MCD switches to upgrade, keep the utility open, remove the currently-connected switch, and reconnect a new one to the computer. Then repeat steps 6 to 8 until all switches are upgraded.

Step 2A: Launch the Upgrade Utility and Connect MDCIM/MDUTP

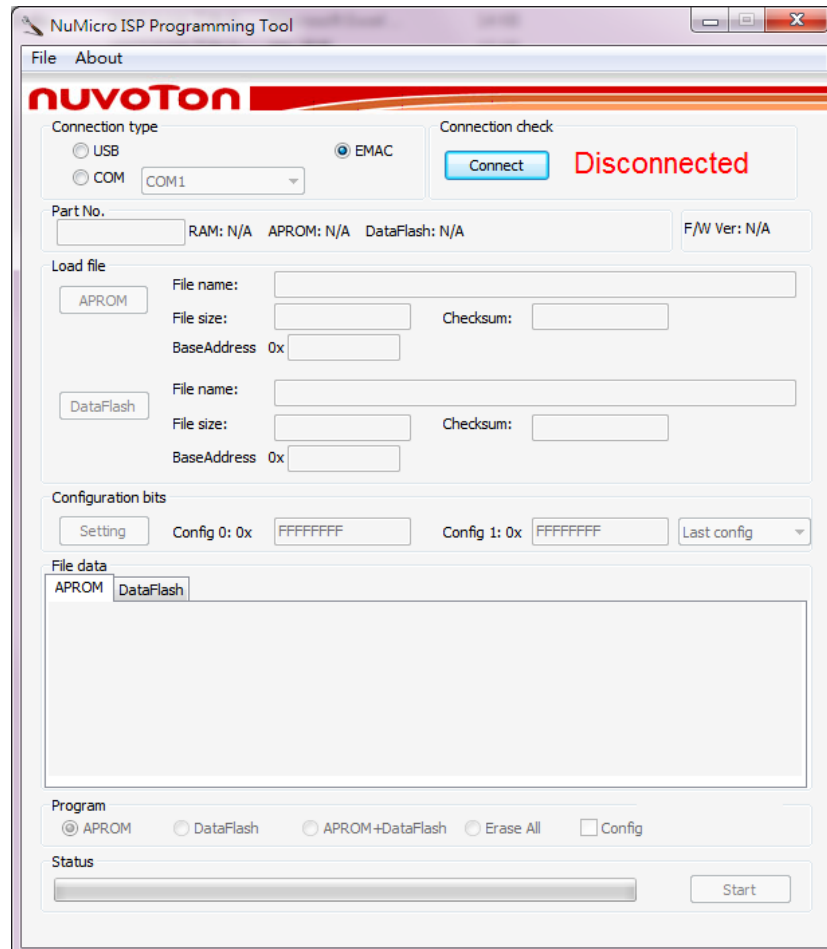
The following procedure applies to MDCIMs and MDUTP cables, but NOT to MCD switches and MCD-LED KVM drawers.

To ensure the success of the upgrade, always use the latest upgrade utility downloaded along with the MDCIM/MDUTP firmware.

There is only one firmware file available for MDCIM/MDUTP: *MCD_Dongle_XXX.bin*, where XXX is the version number.

► To perform firmware upgrade for MDCIM/MDUTP:

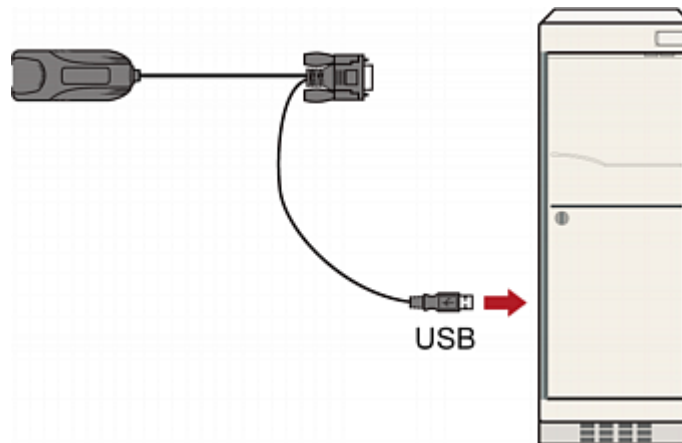
1. Double-click the CIM upgrade utility — NuvoISP .exe. The upgrade utility opens.



2. If the USB radio button is NOT selected yet in the 'Connection type' section, select it. A window similar to the following then appears. Simply close this window.

MCU Parts	I/O Pin Tied to Ground	MCU Parts	I/O Pin Tied to Ground
NUC120/140 Nano120/130 NUC442/472	PB.15	NUC123 NUC505	PB.14
NUC101	PD.0	M452/M453	PB.6
NM1200	UART0 P0.1/P0.0		

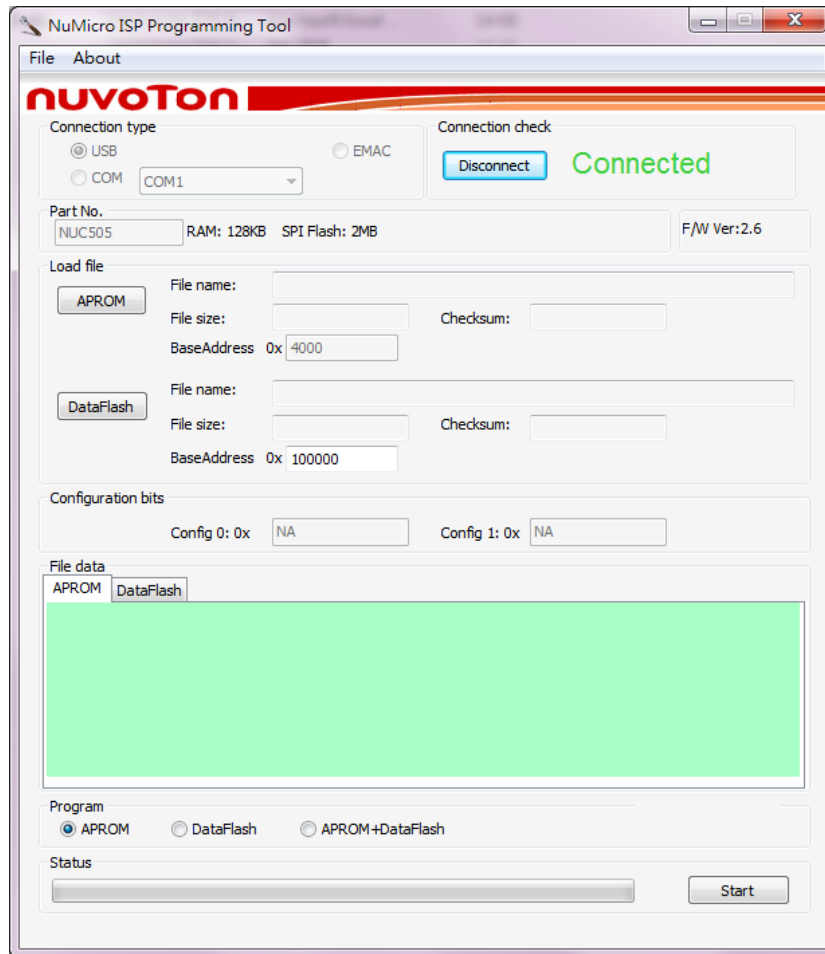
3. Perform all actions of this step within 5 seconds since the utility is launched. Otherwise, the utility may not be able to detect the connected MDCIM or MDUTP.
 - a. Plug the USB-A connector of the MDCIM or MDUTP into the USB port on the computer.



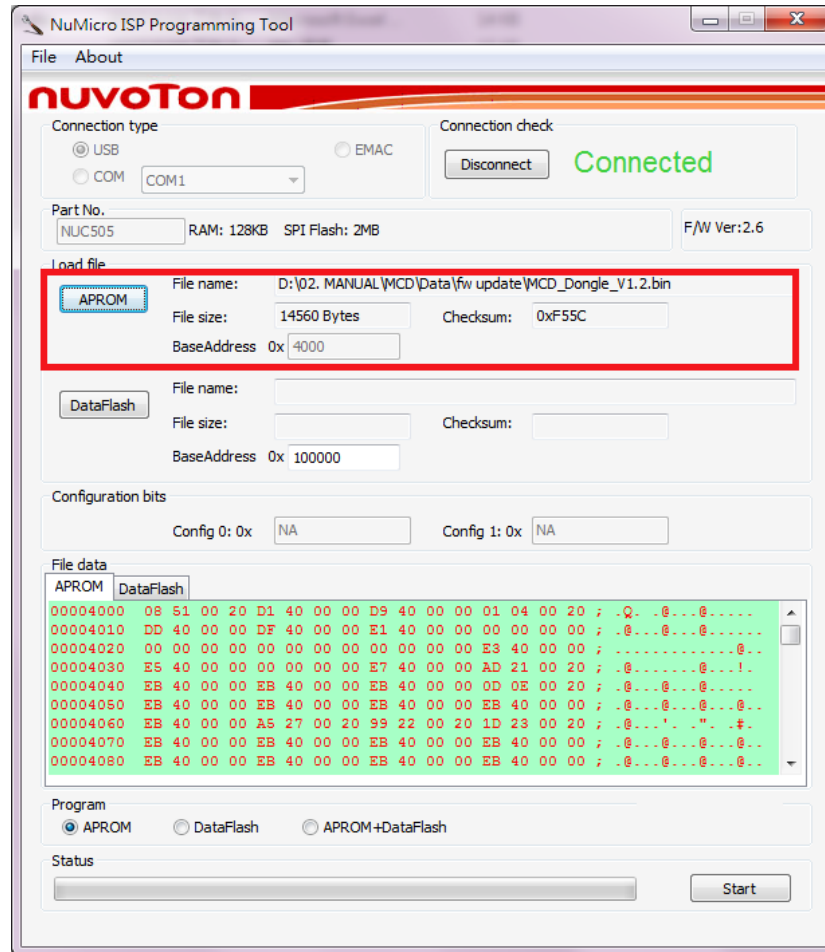
- b. Click Connect in the firmware upgrade utility.

Warning: If the sequence of step 3 is NOT followed or the button 'Connect' is NOT clicked within 5 seconds, the utility may fail to detect the connected MDCIM or MDUTP. If this issue occurs, close the utility, disconnect the MDCIM/MDUTP from the computer, and then repeat all of the above steps until the MDCIM/MDUTP is detected successfully.

- The utility indicates that it detects the connected MDCIM/MDUTP by showing the green message 'Connected'.

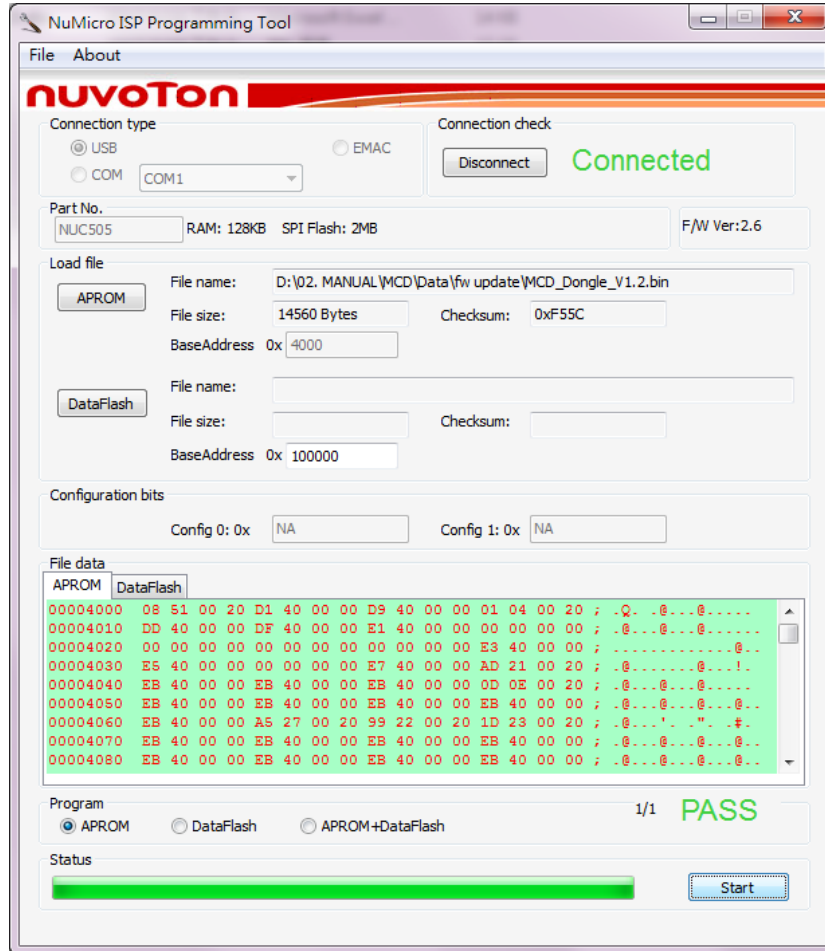


- Click APROM to select the appropriate MDCIM/MDUTP firmware file.



- Click Start to start the firmware upgrade.

- When the firmware upgrade is completed successfully, a green message 'PASS' is displayed at the bottom.



- If there are more MDCIMs or MDUTP cables to upgrade, keep the utility open, remove the currently-connected MDCIM/MDUTP and reconnect a new one to the computer. Then repeat steps 6 to 8 until all MDCIMs and MDUTP cables are upgraded.

Appendix A Specifications

In This Chapter

One-User MCD Models.....	73
Dual-User MCD Models.....	74
One-User MCD-LED Models	76

One-User MCD Models

Items	MCD-108	MCD-116
Supported console users	1	1
Channel ports (female RJ-45)	8	16
Female USB-A ports (for keyboard/mouse)	2	2
Female DVI-I ports (for video output)	1	1
Female 3.5mm audio jack (for audio output)	1	1
Female Micro USB (for firmware upgrade)	1	1
Reset button (for power cycle)	1	1
AC socket	1	1
Power switch	1	1
Channel LEDs (white, but turn green when accessed)	8	16
Power LED (blue)	1	1
Maximum number of servers with a two-tier system comprising the same models	128	256

Appendix A: Specifications

Items	MCD-108	MCD-116
Video support	1920 x 1200@75Hz (VGA) 1920 x 1080@60Hz (DVI) DDC2B	
Max. power input	AC100-240V/1.5A, DC12V/5.42A	
Power consumption	DC 12V/5.42A (65W)	
Operating temperature	0 to 50°C	
Storage temperature	-20°C to 60°C	
Humidity	0-80% RH , Non-condensing	
Dimension (L x W x H)	440 x 150 x 44 mm	
Weight (g)	1963	1993
Safety	CE/FCC/VCCI/UL	
MTBF	> 300,000 Hours	

Dual-User MCD Models

Items	MCD-216	MCD-232
Supported console users	2	2
Channel ports (female RJ-45)	16	32
Female USB-A ports (for keyboard/mouse)	4	4
Female DVI-I ports (for video output)	2	2
Female 3.5mm audio jack (for audio output)	2	2
Female Micro USB (for firmware upgrade)	1	1
Reset button (for power cycle)	1	1
AC socket	1	1
Power switch	1	1
Channel LEDs (white, but turn green when accessed)	16	32
Power LED (blue)	1	1
Maximum number of servers with a two-tier system comprising the same models	512	1024
Video support	1920 x 1200@75Hz (VGA) 1920 x 1080@60Hz (DVI) DDC2B	
Max. power input	AC100-240V/1.5A, DC12V/5.42A	
Power consumption	DC 12V/5.42A (65W)	
Operating temperature	0 to 50°C	

Appendix A: Specifications

Items	MCD-216	MCD-232
Storage temperature	-20°C to 60°C	
Humidity	0-80% RH , Non-condensing	
Dimension (L x W x H)	440 x 150 x 44 mm	
Weight (g)	2009	2276
Safety	CE/FCC/VCCI/UL	
MTBF	> 300,000 Hours	

One-User MCD-LED Models

Items	MCD-LED17108	MCD-LED17116
Supported console users	1	1
Channel ports (female RJ-45)	8	16
Built-in 104-key keyboard	1	1
Built-in touchpad	1	1
Female USB-A ports (for external keyboard/mouse)	1	1
Female Micro USB (for firmware upgrade)	1	1
Ground screw	1	1
AC socket	1	1
Power switch	1	1
Push buttons for the LCD display	5 buttons (1 for power, and 4 for operating the LCD display's OSD menu)	
Power LED (white) for the LCD display	1	1
Num Lock indicator (green)	1	1
Caps Lock indicator (green)	1	1
Scroll Lock indicator (green)	1	1
Video support	1920 x 1200@75Hz (VGA) 1920 x 1080@60Hz (DVI) DDC2B	

Appendix A: Specifications

Items	MCD-LED17108	MCD-LED17116
Built-in LCD display	17.3" TFT LCD with LED backlight unit <ul style="list-style-type: none"> ▪ Pixel pitch: 0.1989 (H) x 0.1989 (V) mm ▪ Max. resolution: 1920x1080@60Hz (Full HD 1080P) ▪ Supported colors: 262,144 ▪ Brightness (cd/m²): 300 nits ▪ Contrast ratio -- 650 : 1 ▪ MTBF: 15,000 Hours 	
Max. power input	AC100-240V/1.5A, DC12V/5.42A	
Power consumption	DC 12V/5.42A (65W)	
Operating temperature	0 to 50°C	
Storage temperature	-20°C to 60°C	
Humidity	0-80% RH , Non-condensing	
Dimension (W x D x H)	<ul style="list-style-type: none"> ▪ Product: 562.71 x 484.7 x 41.5 mm ▪ Packing: 742 x 602 x 178 mm 	
Net weight (kg)	12 kg (26.4 lb)	18 kg (39.6 lb)
Safety	CE/FCC/VCCI/UL	
MTBF	> 300,000 Hours	

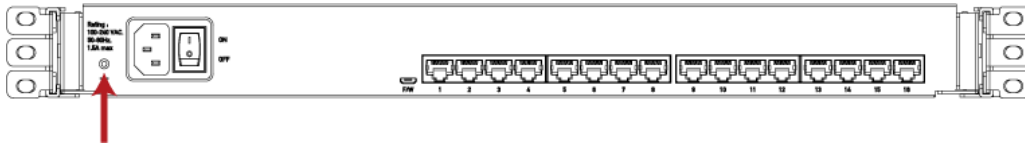
Appendix B Ground Screw

If you want to prevent any electrical shock, you can use the ground screw on the rear panel to provide a safe electrical path to the ground.

Note: Currently only MCD-LED KVM drawers have the ground screw while MCD switches do NOT have it.

► **To prevent any potential shock hazard:**

- Connect the ground screw to a wiring system or wiring device.



Appendix C Integration with Other Raritan Products

MCD switches can work with the following Raritan products. Always connect the *console connector* of the MCD switch to another Raritan product you choose when any integration is wanted.

Note: MCD-LED KVM drawers CANNOT work with the following Raritan products because it does not have the console connector.

This section briefly introduces the connection methods and benefits of integration with other Raritan products. For detailed information, refer to each product's user documentation, which is available on the Raritan website's *Support page* (<http://www.raritan.com/support/>).

▶ **Dominion KX II / III:**

- **Benefit:**

You can access the MCD switch from anywhere over the Internet.

- **Connection:**

Connect the MCD switch to any channel port of the Dominion KX II or III. A D2CIM-VUSB or D2CIM-DVUSB is required.

▶ **Dominion KX2-101-V2:**

- **Benefit:**

You can access the MCD switch from anywhere over the Internet.

- **Connection:**

Connect the MCD switch to Dominion KX2-101-V2.

▶ **AV-over-IP Distribution System (RAV-IP):**

- **Benefit:**

You can access the MCD switch via the console connected with the decoder (receiver) unit of the AV-over-IP distribution system, which can be up to 100 meters (UTP cable) or 10 kilometers (Fiber cable) away.

- **Connection:**

Connect the MCD switch to the encoder (transmitter) unit of the AV-over-IP distribution system.

▶ **Cat5 Reach DVI:**

- **Benefit:**

You can access the MCD switch via the console connected with the receiver unit of Cat5 Reach DVI, which can be up to 500 meters (150 feet) away.

- **Connection:**
Connect the MCD switch to the transmitter unit of Cat5 Reach DVI.

- ▶ **LED KVM Console (T1700-LED and T1900-LED series):**
- **Benefit:**
Turn the console of the MCD switch into a KVM drawer, which can be put inside the cabinet or rack.
- **Connection:**
Connect the MCD switch to the LED KVM console. A Raritan's KVM combo cable and DVI cable (shipped with the LED KVM console) are required.

Index

A

Accessing a Server • 24, 26, 42
Accessing or Exiting 2nd-Tier Channels • 53
Active and Inactive Channels • 7, 8, 15, 27, 39, 45
Adjusting the OSD Position • 39, 40
Auto Adjust • 57
Available Settings and Options • 10, 38, 41, 46, 47

B

Basic Installation • 20, 53
Before Installation • 4

C

Channel Colors • 31, 46
Channel ID • 33, 39, 42, 54
Channel Scan • 39, 41
Color • 58

D

Dual-User MCD Models • 75
Dual-User Models • 6, 9, 46

E

Establishing a Two-Tier System • 7, 15, 27, 49

F

Firmware Upgrade • 43, 62
Front View • 8, 16, 20

G

Ground Screw • 80

I

Information • 60
Initial OSD Operation • 20, 25
Integration with Other Raritan Products • 5, 81
Introduction to MasterConsole Digital Series Products • 1

L

Language • 59
Limitations of the Two-Tier System • 49
Login • 25, 30, 35, 38, 40
Login Screen • 30
Logout • 28, 44
Luminance • 57

M

Management • 58
MasterConsole Digital KVM Switches • 1, 5, 13
MasterConsole Digital-LED KVM Drawer • 1, 13
MCD Computer Interface Modules • 1, 9, 18
MCD Package Contents • 7
MCD Product Features • 6
MCD Product Overview • 5
MCD Rackmount Procedure • 10, 20
MCD Structure Diagrams • 7
MCD-LED Display's OSD Menu • 17, 29, 55
MCD-LED Package Contents • 15
MCD-LED Product Features • 14
MCD-LED Product Overview • 14
MCD-LED Rackmount Procedure • 18, 20
MCD-LED Structure Diagrams • 15
MDCIMs and MDTUP Cables • 18
MDUTP Cables • 1, 10, 18
More Channel Information • 44

O

One-User MCD Models • 73
One-User MCD-LED Models • 77
One-User Models • 6
Onscreen Menu • 56
OSD • 59
OSD Buttons on the LED Display • 55
OSD Layout • 29
Overview • 48

P

Product Photos • 1

Q

Quick Start • 20

R

Rear View • 8, 17

Recall • 60

Releasing a Channel in the PC Shard Mode • 47

Resetting to Factory Defaults • 44

S

Selecting the Preferred Video Output • 56, 61

Selection Menu • 31, 54

Specifications • 3, 73

Specifying Channel Names • 31, 32, 34

Step (a)

 Connect 2nd-Tier Switches to the Base Switch • 49

Step (b)

 Connect Keyboards, Mice, Monitors and Audio Devices • 51

Step (c)

 Connect Servers • 53

Step 1

 Attach the Cable-Support Bar • 11

 Download the Latest Firmware and Upgrade Utility • 62, 63

Step 2

 Connect the Desired Switch to the Computer Running the Upgrade Utility • 62, 63

 Rack Mount the MCD • 11

Step 2A

 Launch the Upgrade Utility and Connect MDCIM/MDUTP • 62, 67

Step 3

 Launch the Upgrade Utility for the Switch • 62, 65

Step A

 Select Proper MDCIMs or MDUTPs • 20, 21, 22

Step B

 Connect the Keyboard/Mouse/Monitor • 7, 20, 21, 51

Step C

 Connect Servers • 20, 22

 System Settings • 27, 28, 33, 34, 38, 41, 43, 53

T

Two-Tier System • 5, 14, 33, 48

U

Upgrade Procedure Overview • 62

User Management • 26, 35

Using Hot Keys • 28

Using the Channel Selection Menu • 26, 27

Using the MCD-LED • 20, 24

Using the On-Screen Display Interface • 17, 29, 55

V

Video Adjustment • 42

Viewing Firmware Version • 43