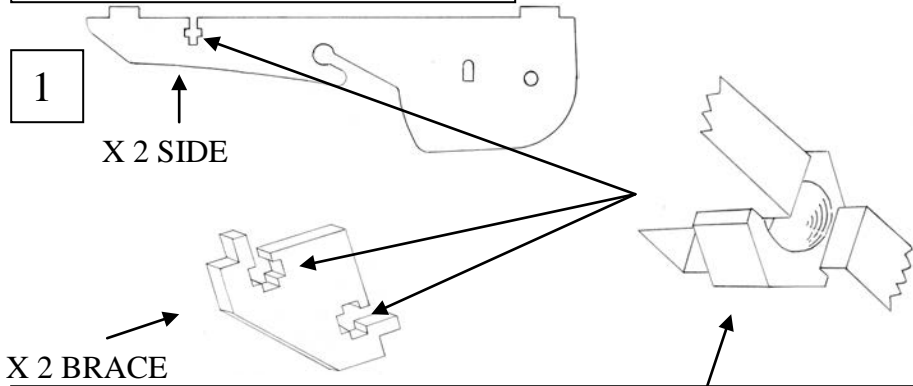


GO FLEX Instructions steps 1-7

1

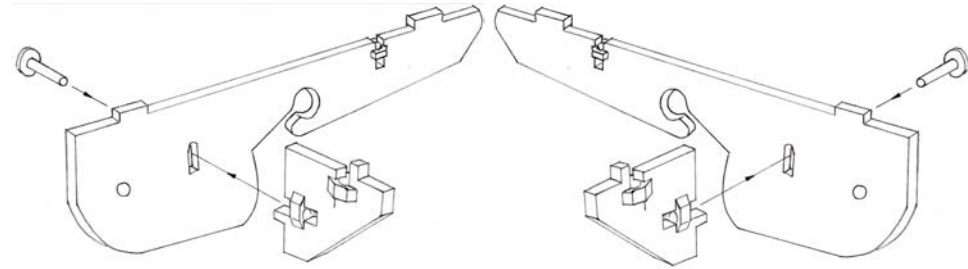
X 2 SIDE

X 2 BRACE



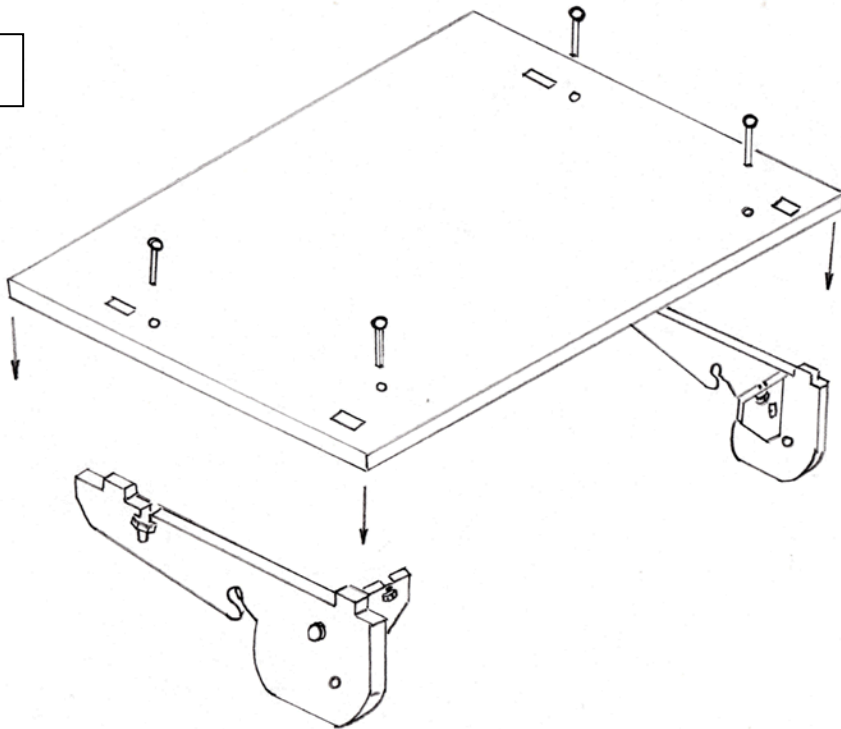
Slide the plastic nuts into the slots in the Side and Brace sections. 1 nut in each Side and 2 in each Brace. If tight, simply press in from other side of panel.

2



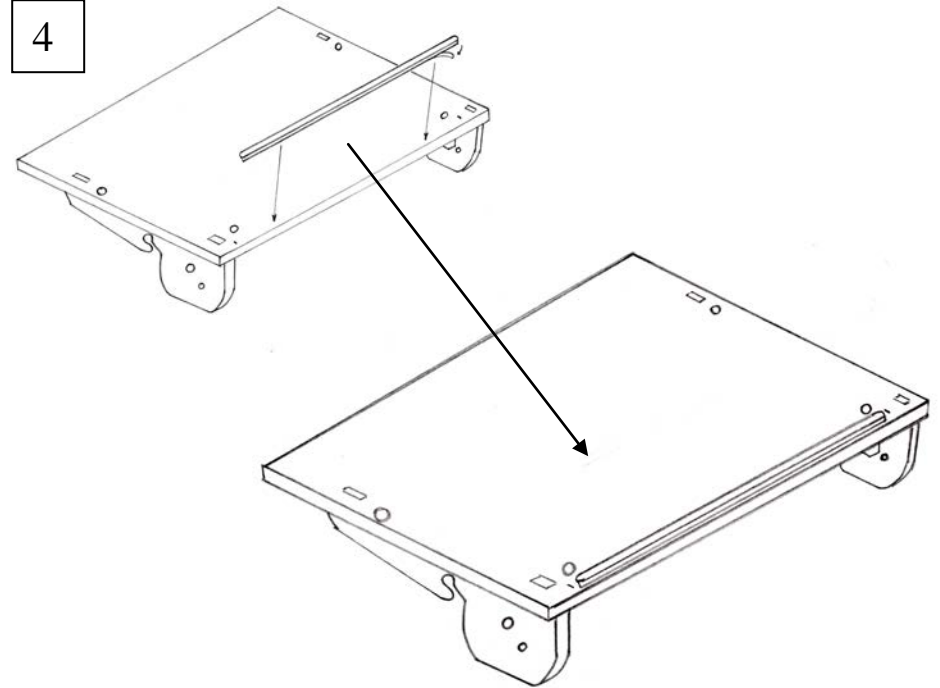
Secure the Brace sections to the Side sections as shown above with the thumb screws provided.

3



Secure the Side/Brace assemblies to the underside of the main panel (Logo's are on the top side). Position the lugs into the slots and secure each side assembly with 2 screws.

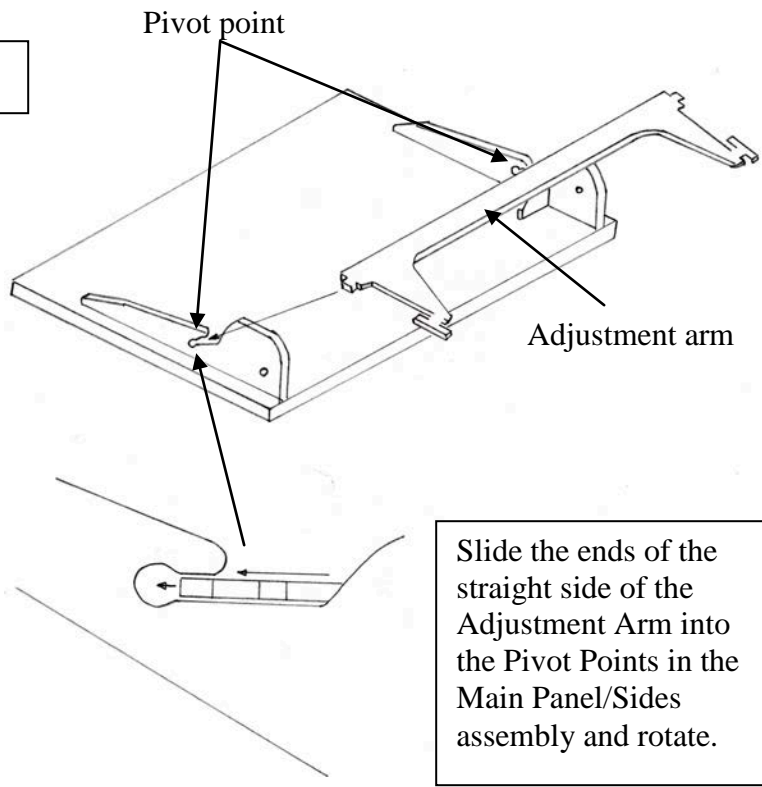
4



Peel off the backing and secure the foam strip centrally along the front edge. 2 Small lines are positioned in the main panel to guide you.

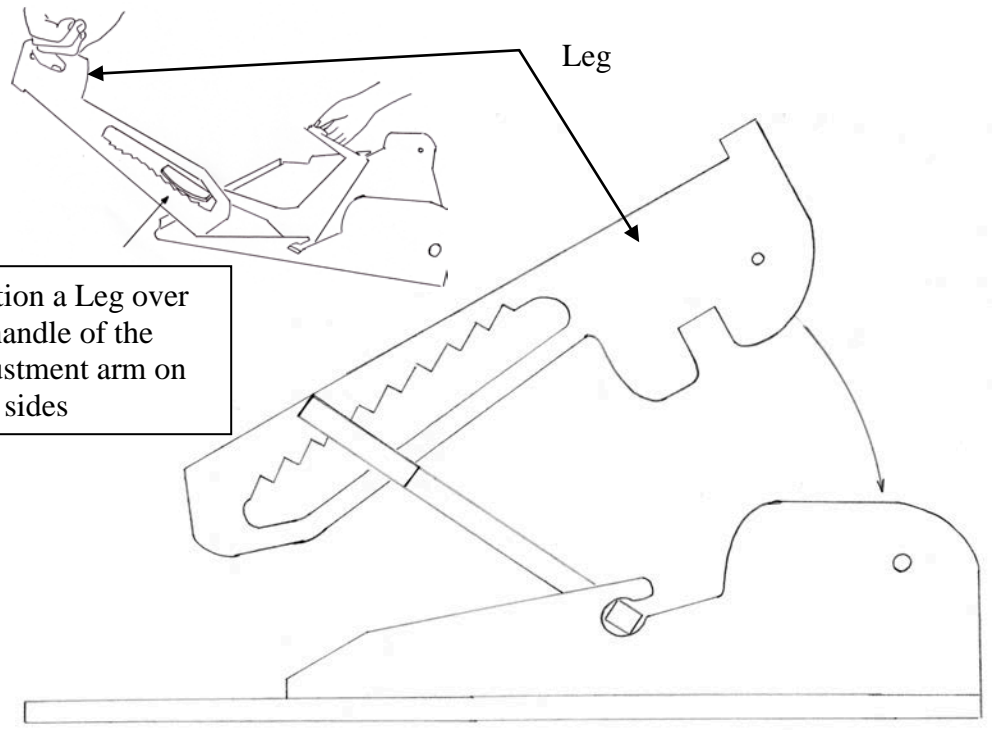
TURN PAGE.

5

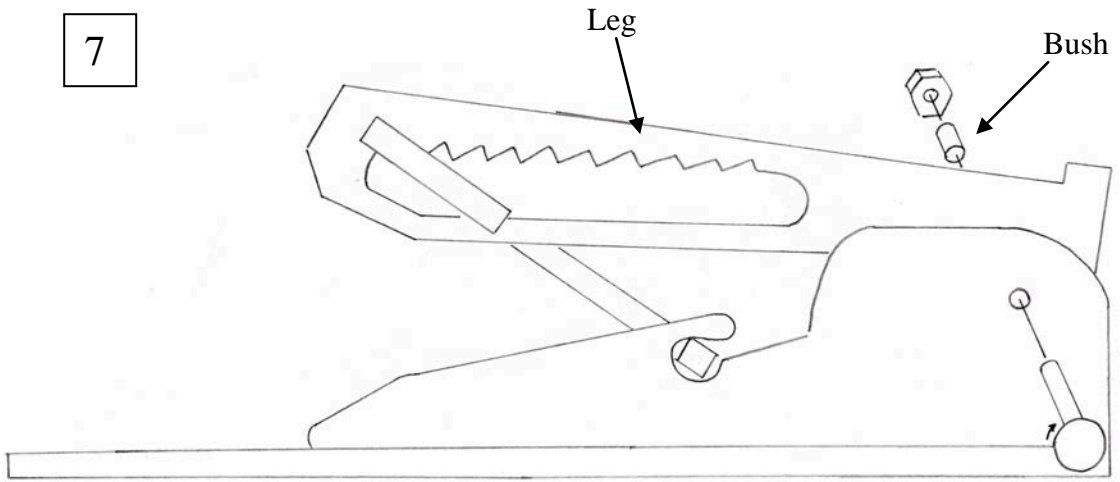


6

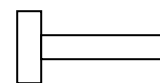


Position a Leg over the handle of the Adjustment arm on both sides



7



Parts list

-  X6 Thumb Screw
-  X2 bush
-  X6 Nut

Press the small cylindrical bush into the hole in the Leg, then secure the Leg to the Side assemblies (on the inside face) with the remaining Thumb Screws and Nuts.

Turn the unit over and enjoy from the ergonomic benefits of your Go Flex.

You Tube assembly video: <https://youtu.be/1VLyne6Fjb8>

**WARNING.** Product contains small parts and not suitable for small children.