

FCS-4047



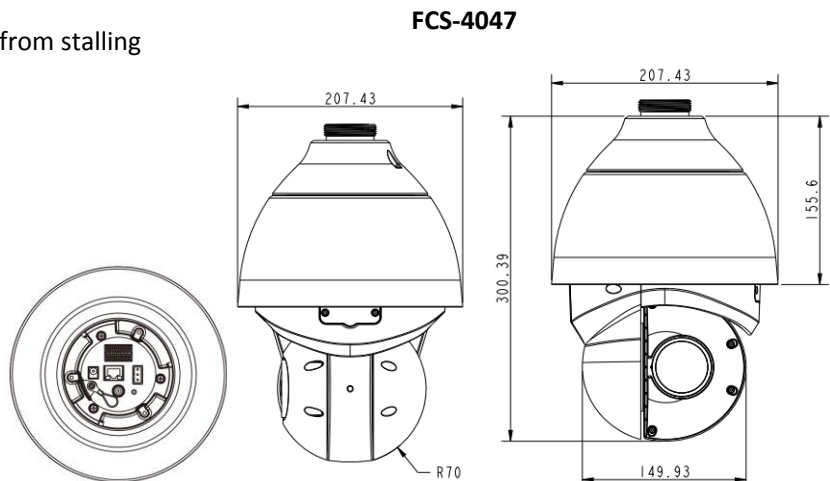
With the latest encoding technology and built-in IR LEDs, FCS-4047 IR PTZ Camera presents strong HDR and high sensitivity performance, and is capable of capturing high resolution images during daylight hours and even, in pitch-black darkness.

At night, or in any low/zero lighting environment, FCS-4047 is able to provide effective illumination to the objects 200 meters away, and also delivers crystal clear images with high quality 30x optical zoom lens in long distance.

With delicate mechanism design, FCS-4047 features Servo Feedback technology, which makes the camera precisely return to the previous position without stalling, and ensures the target monitoring region is fully secured. IP66 International standard is also guaranteed for outdoor installation. Furthermore, combining 0 downtime power switching (ZDT) technology, FCS-4047 ensures smooth streaming without sudden power-loss.

Key Features

- Various Progressive Scan CMOS Sensor
- Up to powerful 30x Optical Zoom
- Digital Zoom Support
- High Dynamic Range (120dB)
- Quad codec support (H.264 Baseline / Main Profile / High Profile / SVC / MJPEG)
- Quad Streams Support
- True Day & Night (ICR)
- 2D/3D Noise Reduction
- 802.3at (PoE+) 4-Pair 60W Support for IR & Heater Activation
- Cisco UPoE Support
- Weatherproof (IP66 International)
- Servo Feedback - Improve the mechanism from stalling
- 0 downtime power switching (ZDT)
- IR Distance up to 200m*
- IR Illumination Adjustment by Zoom Ratio
- BNC & RS-485 Support



FCS-4047

Camera

FCS-4047

Image Sensor	1/2.8" Sony Progressive CMOS
Optical Zoom	30x
Digital Zoom	10x
Minimum Illumination	TBD (Color), 0 (B/W) @ F1.6
Wide Dynamic Range	High Dynamic Range (Up to 3 Shutter, 120 dB)
Focus Mode	Auto / Manual
White Balance	Auto / Indoor / Outdoor / ATW / Manual
Iris Control	Auto / Manual
Electronic Shutter	1/1 ~ 1/10000 sec.
AGC Control	Auto / Manual
Backlight Compensation	On / Off

Lens

Focal Length	4.3-129 mm
Min. Focus Length	1m (Wide); 1.2m (tele)
F Number	F 1.6 (Wide); F 4.7 (Tele)
FOV	3M: 64.1° (Wide); 2.4° (Tele) 1080p: 60.8° (Wide); 2.3° (Tele)

Operation

Pan Travel	360° endless
Tilt Travel	-20° ~ 200°
Manual Speed	Pan: 0.1° ~ 90°/s Tilt: 0.1° ~ 60°/s
Presets	256
Preset Accuracy	0.16°
Preset Speed	Pan: 9° ~ 280°/s Tilt: 7° ~ 300°/s
Sequence	8
Auto Pan	4
Cruise	8
Privacy Mask	20 (Polygon Support)
Speed by Zoom	On / Off (Pan and tilt speed proportional to zoom ratio)
Resume after Power loss	0 downtime power switching (ZDT) support
Home Function	Preset / Sequence / Auto pan / Cruise
Auto Flip	Mechanical / Off
Motion Detection	Motion Detection Window x 4 sets
Day / Night: IR Cut Filter	On / Off
Image Rotation	Flip / Mirror / Inverse
Auto Calibration	On / Off, Servo Feedback Support
Noise Reduction	2D: On / Off 3D: On / Off
IR Distance	150m

Network

Networking	RJ-45, 1Gbps Ethernet	
Video Compression	MJPEG / H.264 (MPEG-4 Part 10/AVC) Baseline / Main Profile / High Profile	
Video Stream	Single	Linear mode: H.264 3M @50/60 fps Note: Stream can be MJPEG HDR mode (2 Shutter): H.264 3M @25/30 fps Note: Stream can be MJPEG HDR mode (3 Shutter): H.264 3M @15 fps Note: Stream can be MJPEG
	Dual	Linear mode: H.264 3M @25/30 fps + H.264 1080p @25/30 fps Note: One if the stream can be MJPEG HDR mode (2 Shutter): H.264 3M (2048x1536) @25/30 fps + H.264 SXGA @15 fps Note: One if the stream can be MJPEG HDR mode (3 Shutter): H.264 3M (2048x1536) @15 fps + H.264 SXGA @15 fps Note: One if the stream can be MJPEG
	Quad	H.264 3M @25/30 fps + H.264 1080P @25/30 fps + H.264 720p @25/30 fps + H.264 D1 @25/30 fps Note: One if the stream below 1080P can be MJPEG
	Video Resolution	H.264: 3M (2048x1536) / Full HD 1080P / SXGA / 720P / XGA / SVGA / D1 / VGA / CIF / QVGA MJPEG: Full HD 1080P / SXGA / HD 720P / XGA / SVGA / D1 / VGA / CIF / QVGA
	Audio Compression	G.711 / G.726 / AAC
	Audio Stream	Two-way Audio
Protocols	IPv4/v6, TCP/IP, UDP, RTP, RTSP, HTTP, HTTPS, ICMP, FTP, SMTP, DHCP, PPPoE, UPnP, IGMP, SNMP, QoS, ONVIF, ARP	
Security	HTTPS / IP Filter / IEEE 802.1x	
Alarm	Input: 4 Sets / 5V 10kΩ pull up Output: 2 Set / Relay output, max. 120mA DC 400V / 120mA AC 250V	
Alarm Reaction	Preset / Sequence / Auto Pan / Cruise	
RS-485	Pelco D, Pelco P, DSCP Protocol Support	
BNC	Support (CVBS 1Vpp, 75 Ω)	
SD Card	SD Support	
Supported Web Browser	Internet Explore (10.0+) / Firefox / Safari	
Password Levels	User and Administrator	

General

Environment	Outdoor
Operating Temperature*	Outdoor: -40°C ~ 50°C (-40°F ~ 122°F)
Humidity	Outdoor: 10% ~ 90%, No Condensation
Dimension	Outdoor: Ø207.43 x 300.39 mm w/ Sunshield
Weight	Outdoor: 3.8 kg
Power Source*	Outdoor: 802.3at (PoE+) 4-Pair 60W / AC 24V ± 20% / DC 12V
Power Consumption*	Outdoor: 43W (with IR & Heater on)
Regulatory	CE / FCC / RoHS / IP66

* mark for to be discussed # mark for optional items

Product specification and availability are subject to change without notice.

