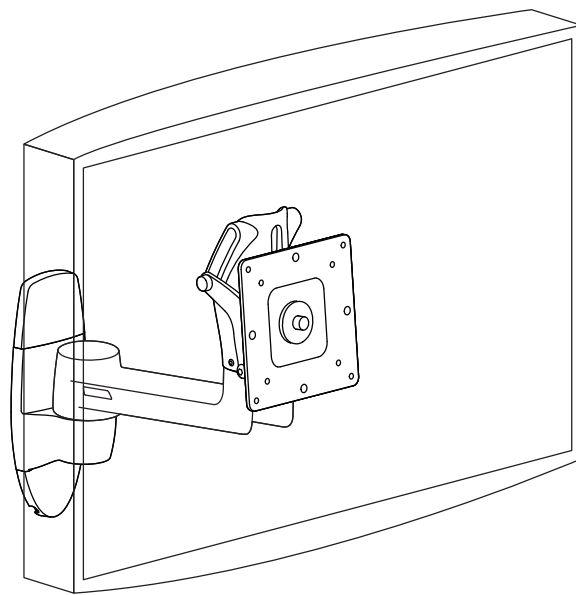


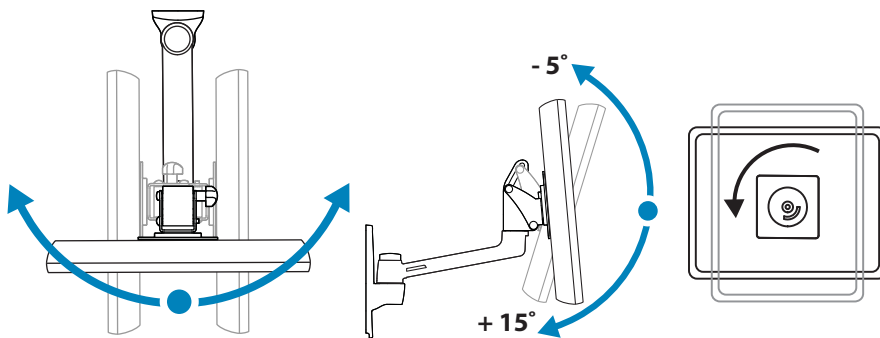
ergotron®

LX HD Wall Mount Swing Arm




**LB
kg**
≤ 50 lbs. (22.7 kg)

Features & Specifications

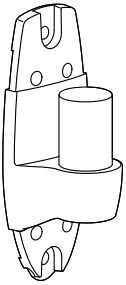
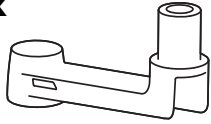
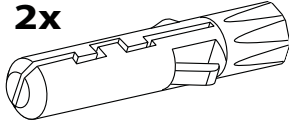

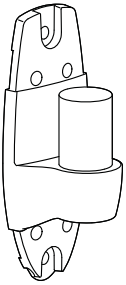

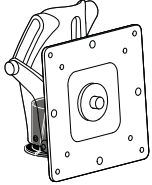
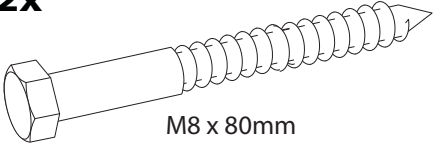
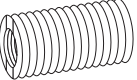
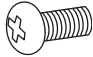

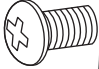

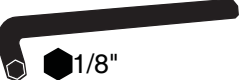



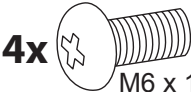


English

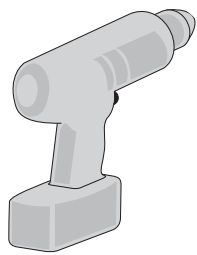
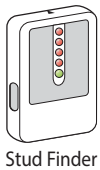
 For the latest User Installation Guide please visit: www.ergotron.com
English, Español, Français, Deutsch, Nederlands, Italiano, Svenska, 日本語, 汉语

www.ergotron.com | USA: 1-800-888-8458 | Europe: +31 (0)33-45 45 600 | China: 400-120-3051 | Japan: japansupport@ergotron.com

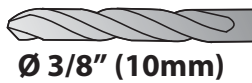
Components

	A	B	C	D	E
1	1x 	1x 		2x 	4x  M5 x 20mm
2		1x 	1x 	2x  M8 x 80mm	4x  M8M5 Converter
3				4x  M4 x 12mm	1x  2.5mm
4	1x  M4 x 8mm			4x  10-24 x 5/8"	1x  1/8"
5	4x 	4x  M5 x 7mm		4x  M5 x 12mm	4x  M6 x 12mm

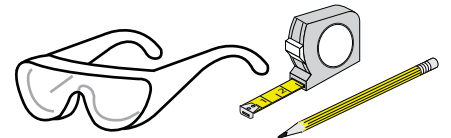
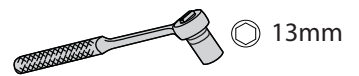
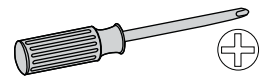
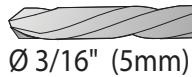
Tools Needed



Concrete Wall Mounting



Wood Stud Mounting

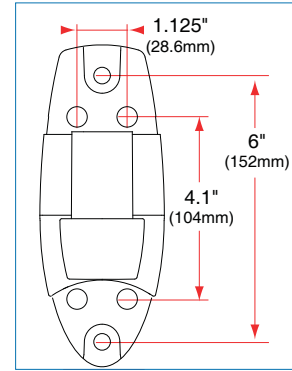


Important! You will need to adjust this product after installation is complete. Make sure all your equipment is properly installed on the product before attempting adjustments. This product should move smoothly and easily through the full range of motion and stay where you set it. If movements are too easy or difficult or if product does not stay in desired positions, follow the adjustment instructions to create smooth and easy movements. Depending on your product and the adjustment, it may take many turns to notice a difference. Any time equipment is added or removed from this product, resulting in a change in the weight of the mounted load, you should repeat these adjustment steps to ensure safe and optimum operation.

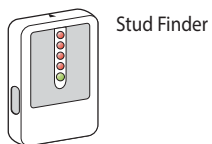
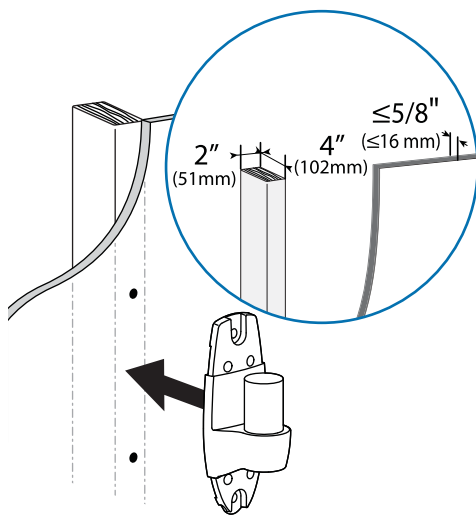
1 WALL PLATE MOUNTING INSTRUCTIONS

WARNING: Ensure that the wall structure is capable of supporting four times the total weight of mounted equipment. Mounting to wall surfaces that do not meet this criteria may result in an unstable, unsafe condition which could lead to personal injury and/or property damage. Consult a construction professional if you have any doubt about what this means in regard to your particular application.

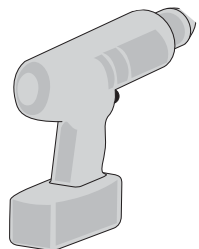
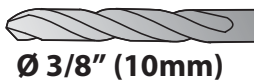
NOTE: Fasteners may unwind due to vibration caused by movement of mounting solution over time. Inspect mounting solution for loose fasteners on a routine basis. If desired, apply a light duty thread locking adhesive to fasteners before installation to prevent back-out.



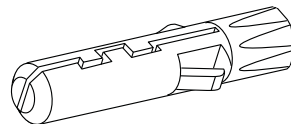
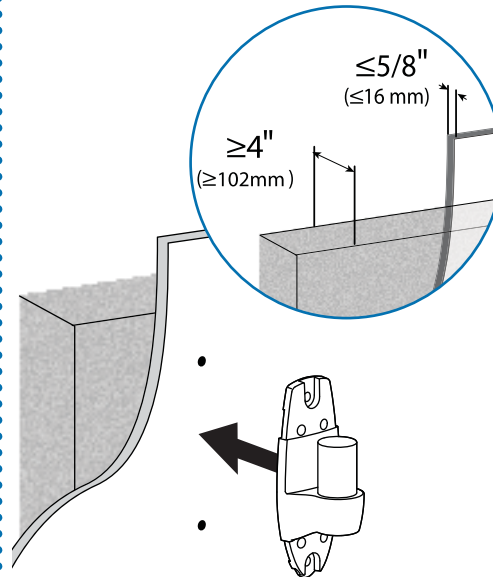
Wood



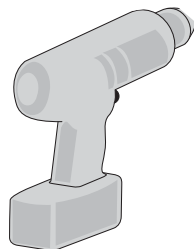
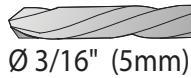
Concrete Wall Mounting



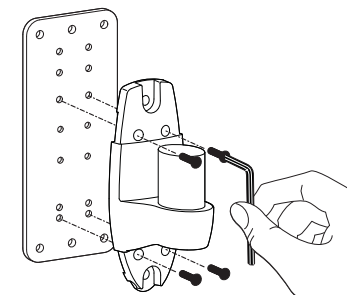
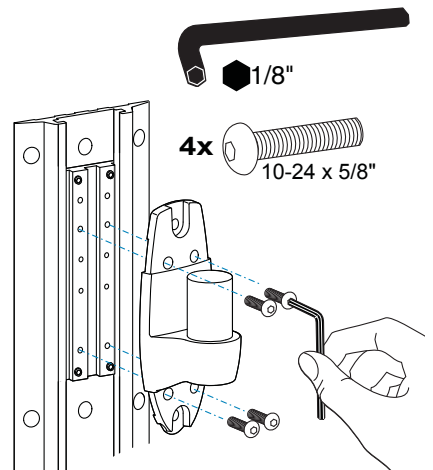
Concrete



Wood Stud Mounting

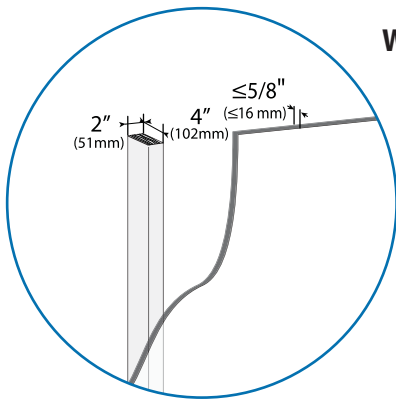


Ergotron product

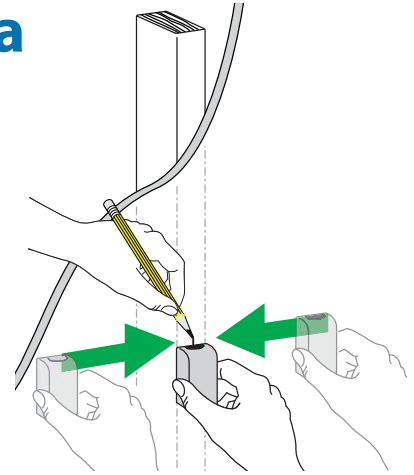


NOTE: Wall Track and Brackets sold separately.

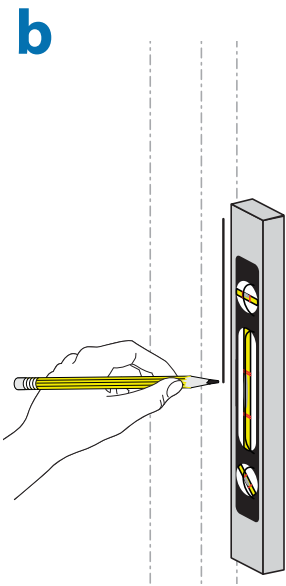
Wood



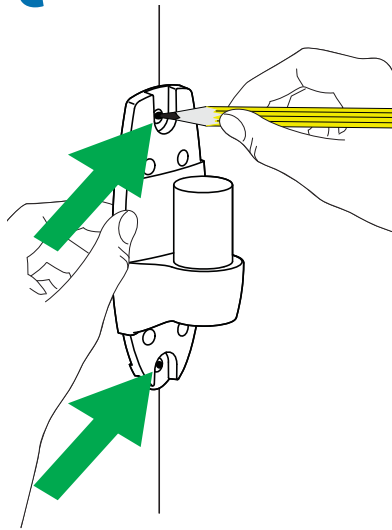
a



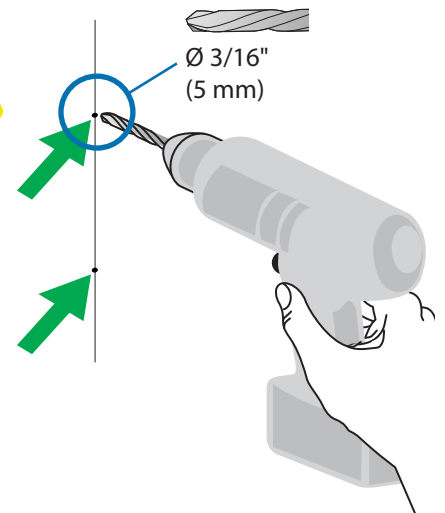
b



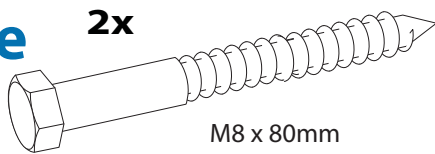
c



d



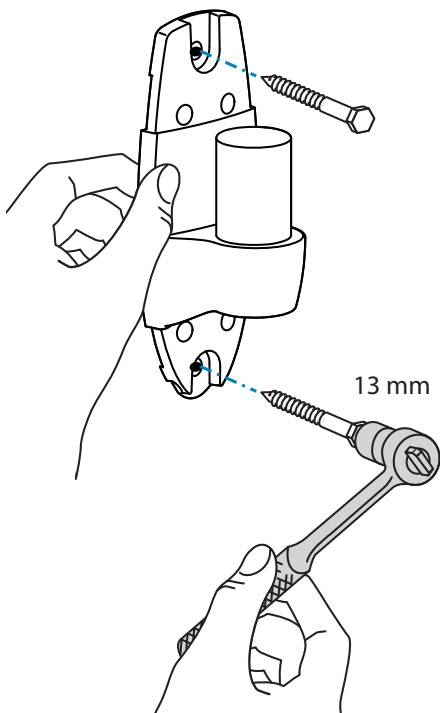
e 2x



M8 x 80mm

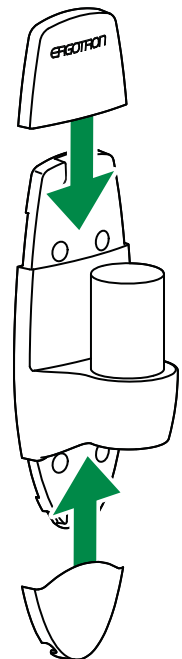


CAUTION: Make sure the wall mount bracket is level, flush and snug to the wall surface. **DO NOT OVERTIGHTEN THE BOLTS.**

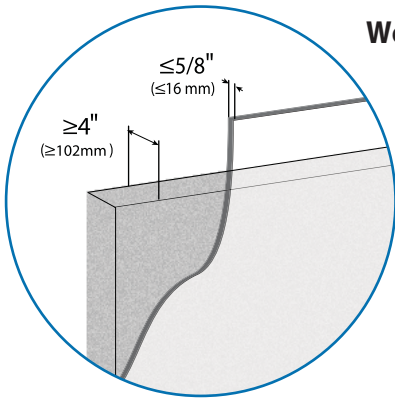


13 mm

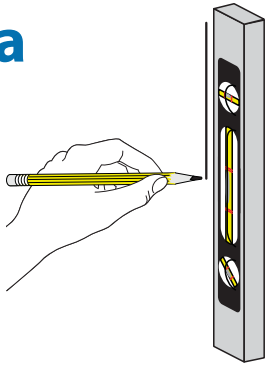
f



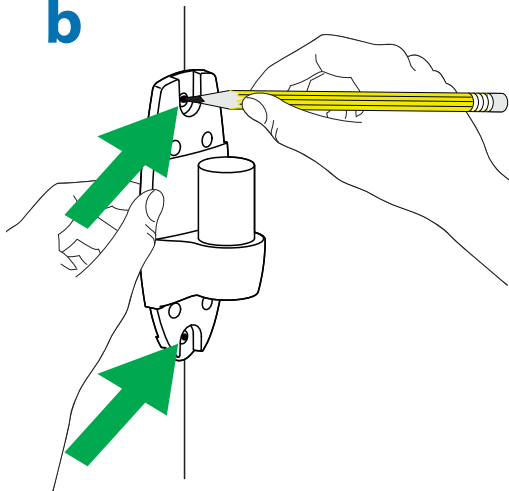
Wood Stud Mounting



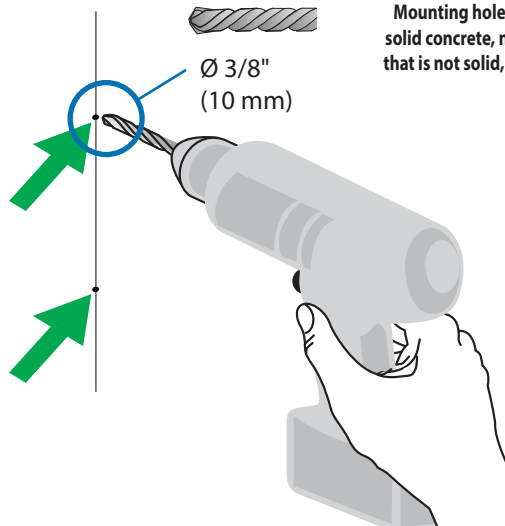
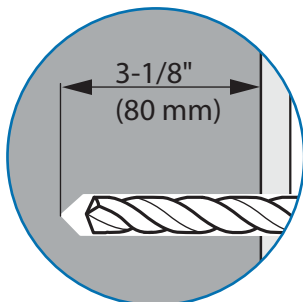
a



b



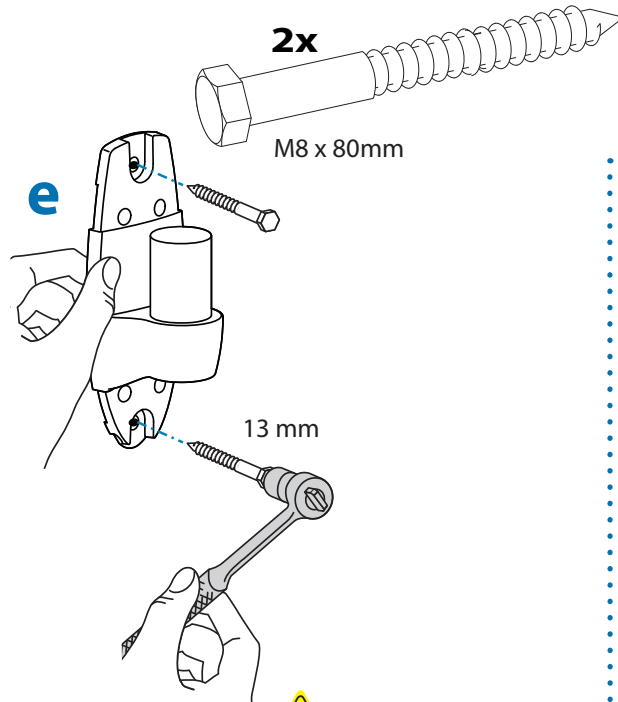
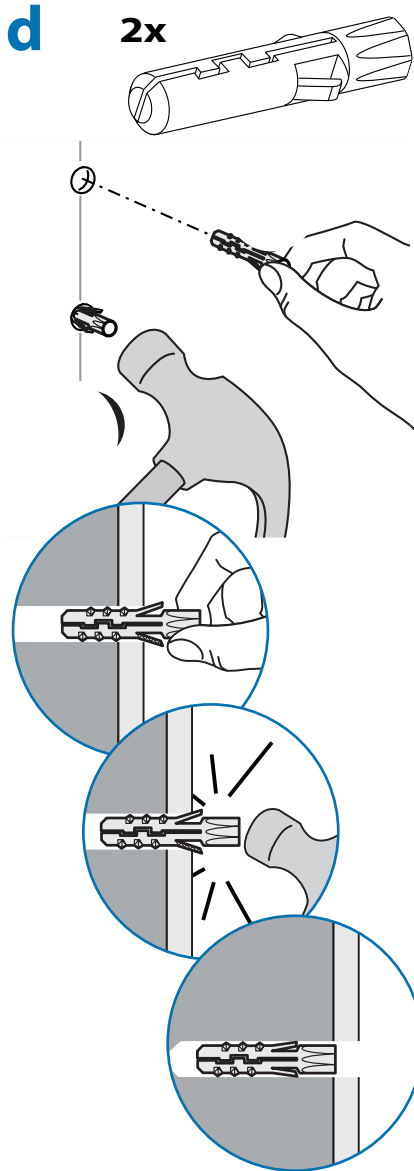
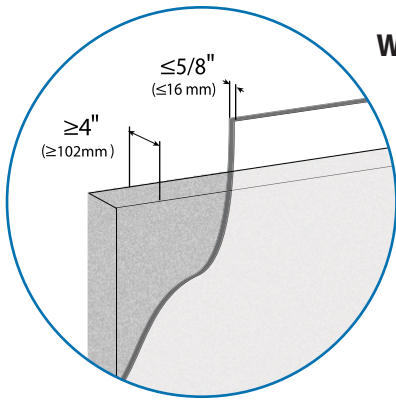
c



WARNING:

Mounting holes must be at least 3-1/8" (80mm) deep and must be located within solid concrete, not mortar or covering material. If you drill into an area of concrete that is not solid, reposition mounting holes until both anchors can be fully inserted into solid concrete!

Wood Stud Mounting

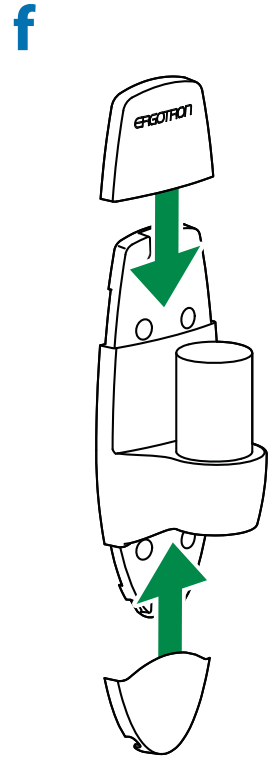


CAUTION: Make sure the wall mount bracket is level, flush and snug to the wall surface. **DO NOT OVERTIGHTEN THE BOLTS.**

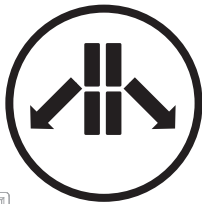


WARNING:

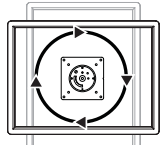
Anchors that are not fully set in solid concrete will not support the applied load resulting in an unstable, unsafe condition which could lead to personal injury and/or property damage. Consult a construction professional if you have any doubt about what this means in regard to your particular situation.



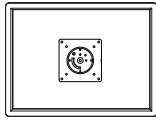
2



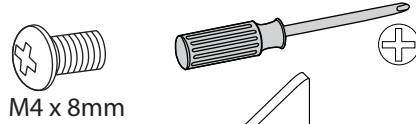
To Stop Portrait/Landscape Rotation insert Screw



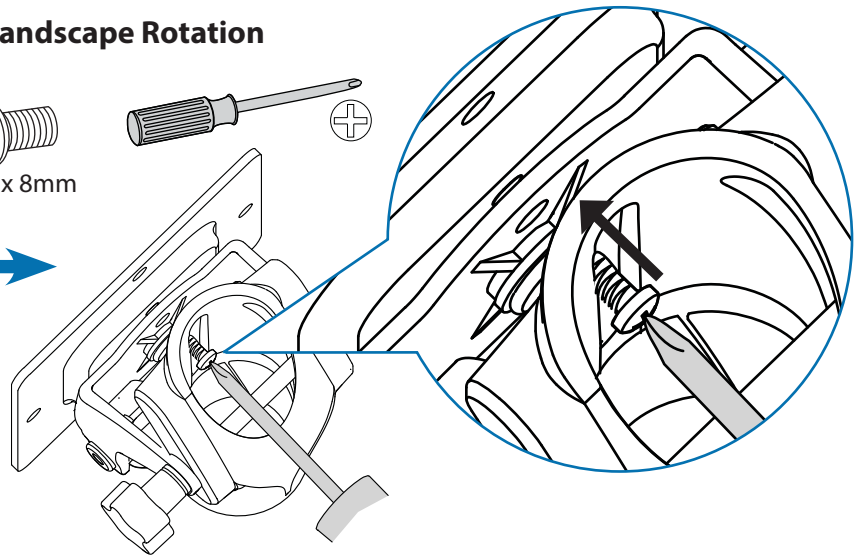
360°



0°



M4 x 8mm



3

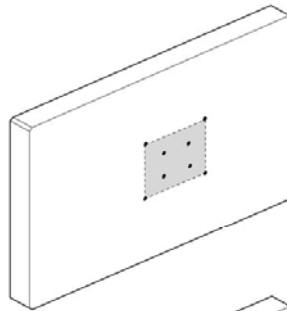
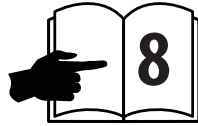
Check size of TV/Monitor hole pattern

TV/Monitor Hole Pattern Sizes

VESA Adapter Configurations

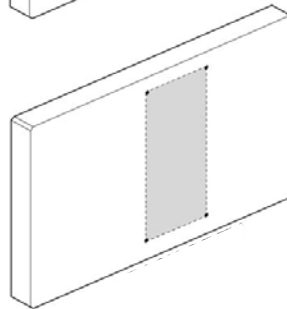
A

75x75mm
100x100mm



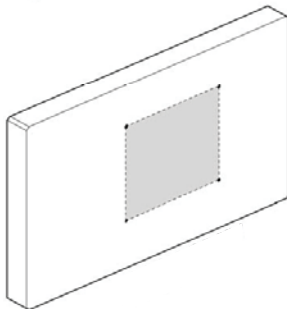
B

100x200mm



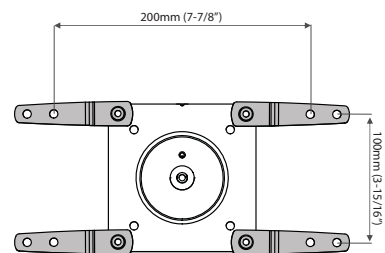
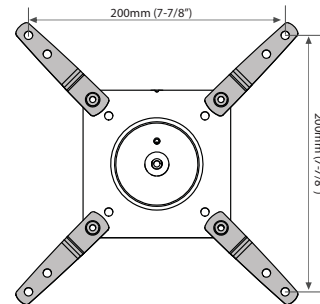
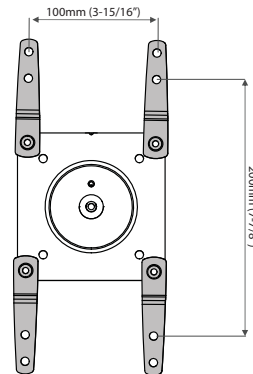
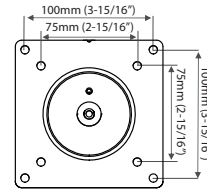
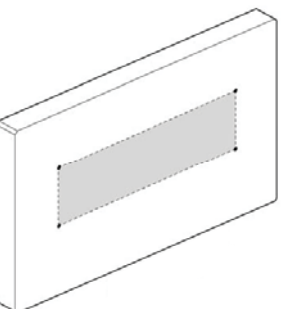
C

200x200mm



D

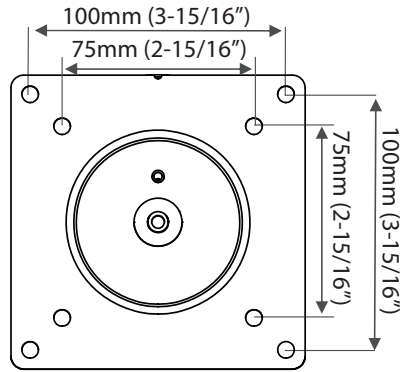
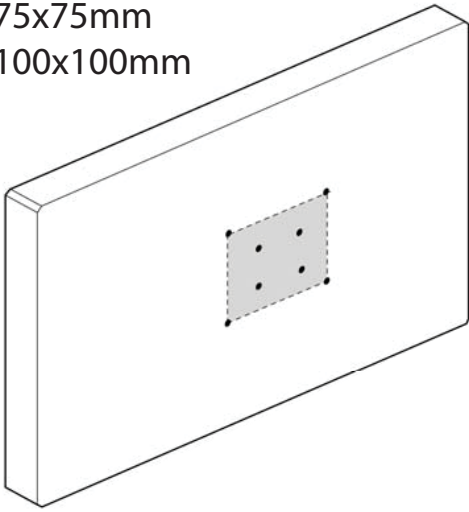
200x100mm



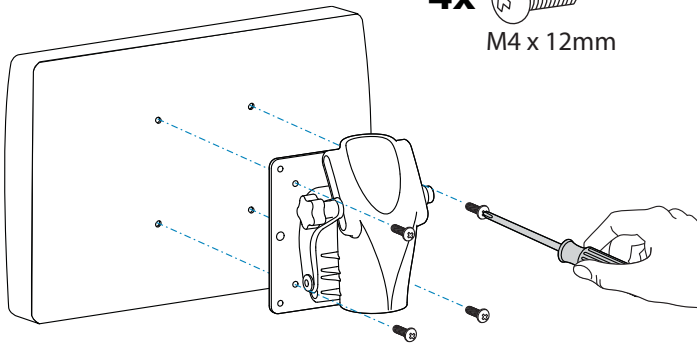
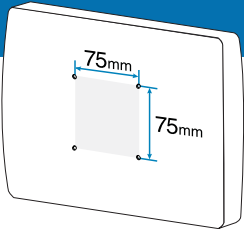
3 Mount Type A TV/Monitor to Arm

A

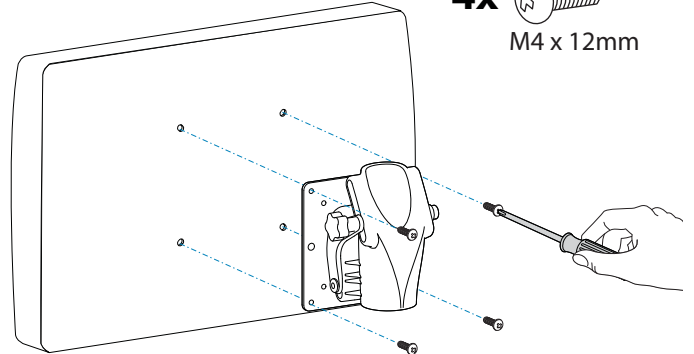
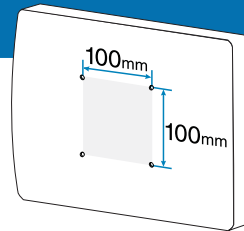
75x75mm
100x100mm

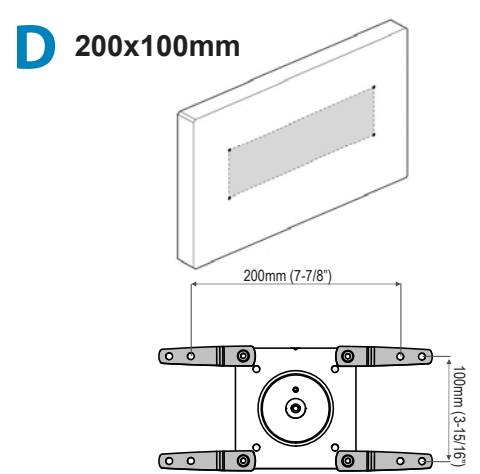
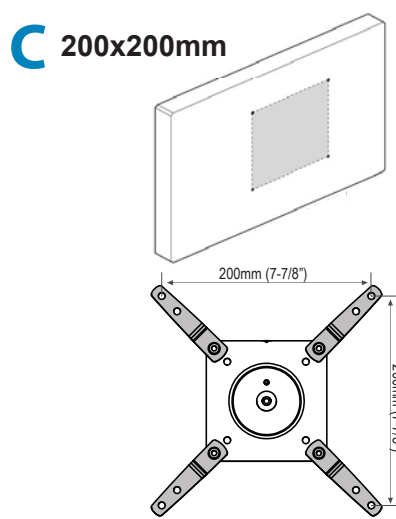
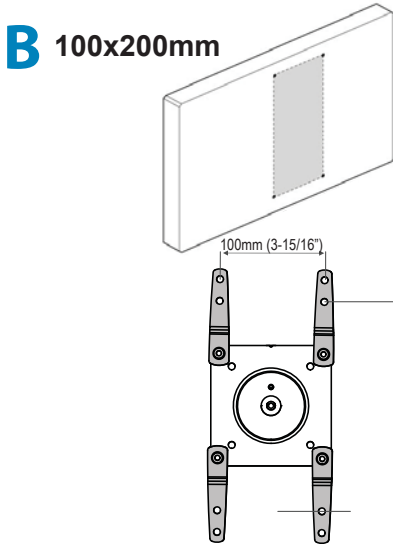


75 x 75mm

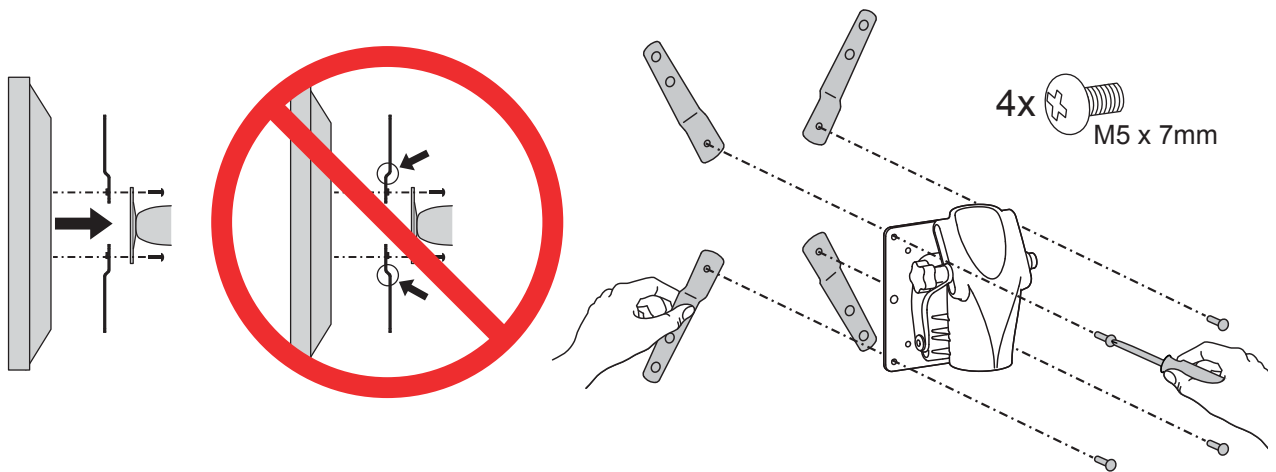


100 x 100mm



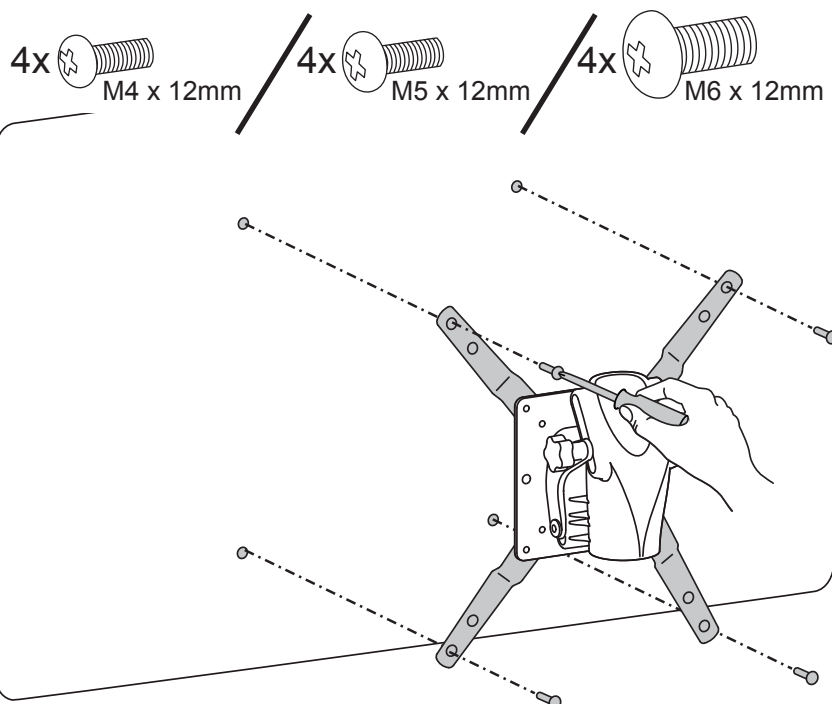


3a Mount VESA Adapters to Arm based on TV/Monitor hole pattern size (B, C, or D).



3b Mount Type B, C, or D TV/Monitor to Arm

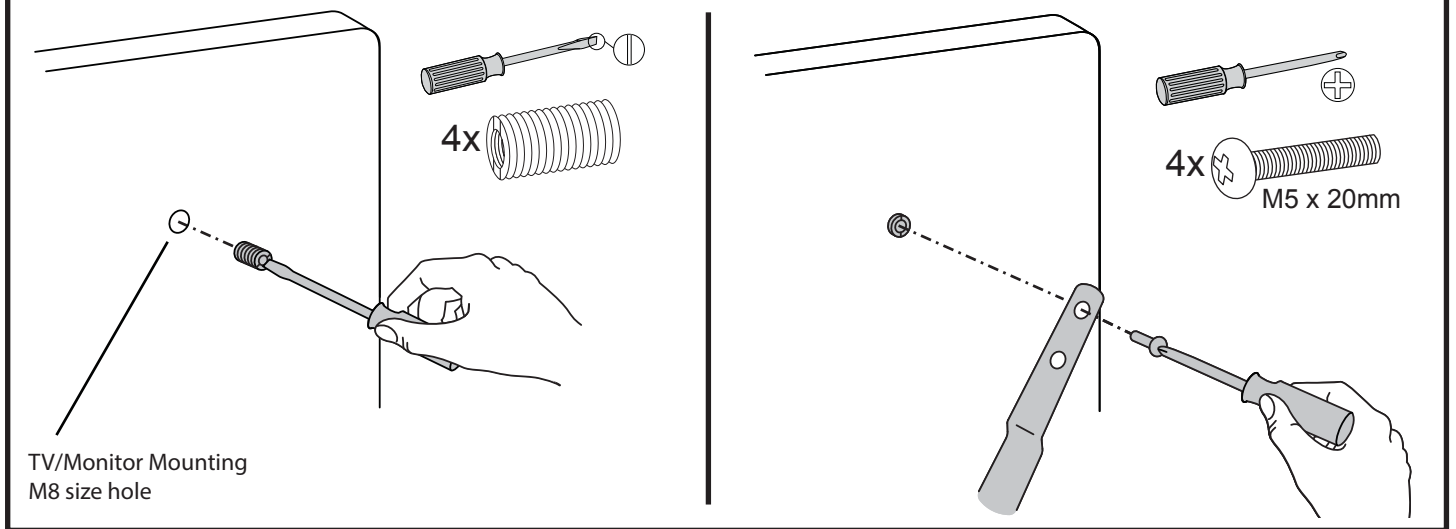
NOTE: To reduce M8 holes for use with M5 screws, or if you have a model with Samsung holder rings, follow the **M8M5 KIT** instructions on the next page.



M8M5 KIT Instructions

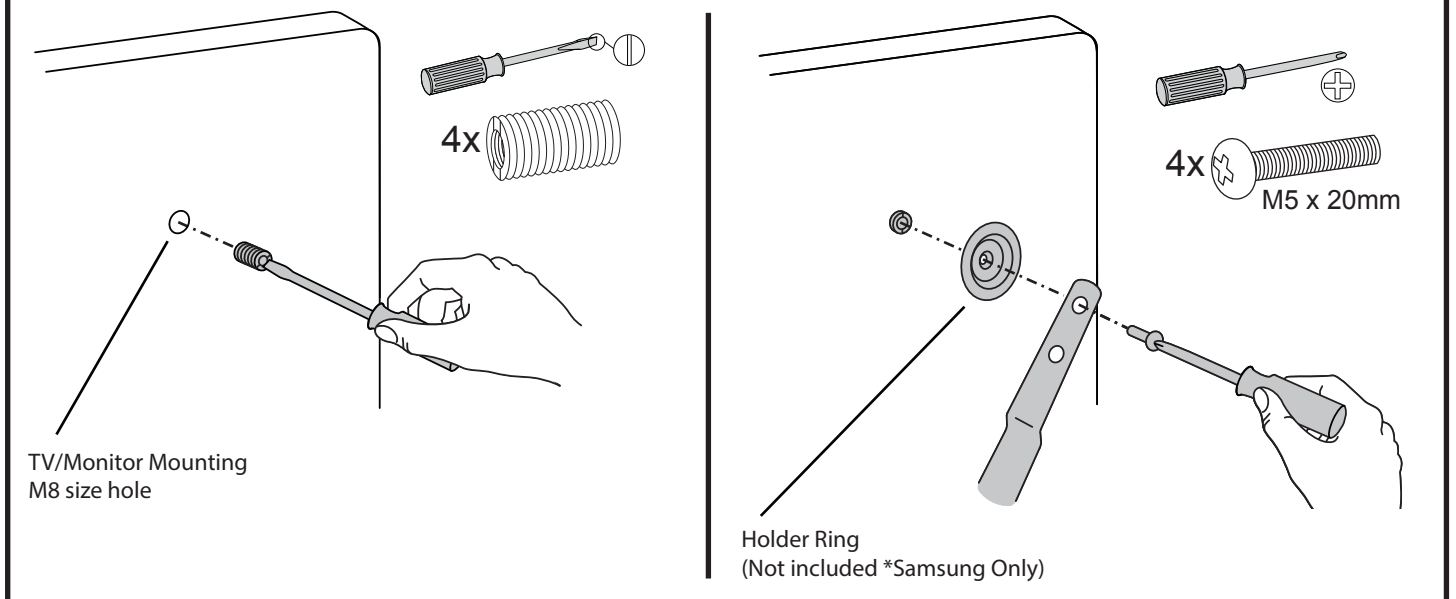
NOTE: Follow this step only if your TV/monitor has M8 holes which need to be reduced to M5.

Install M8M5 reducer bushing to TV/Monitor and use M5 x 20 mm monitor screws to secure.

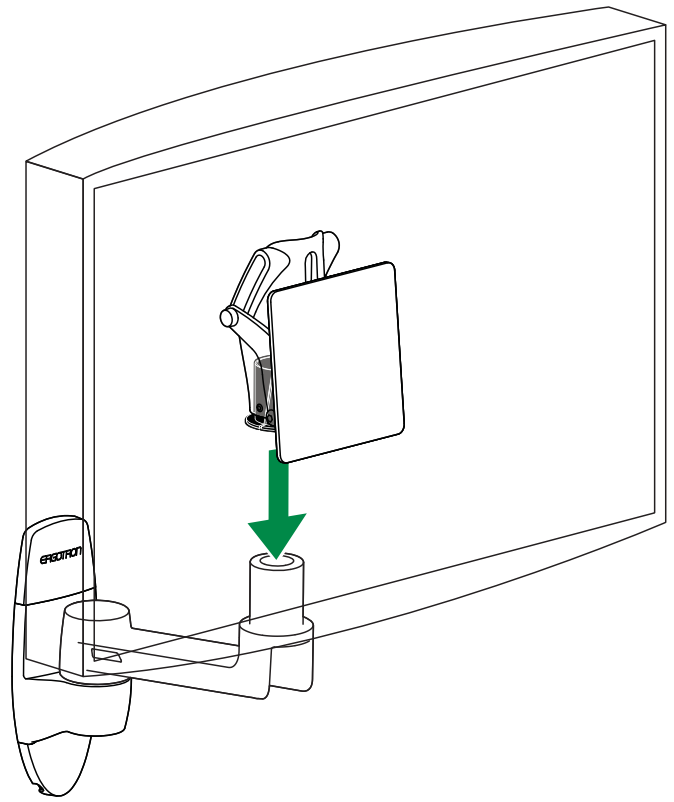
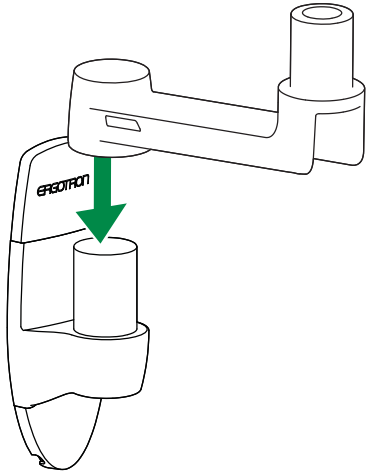


NOTE: Follow this step only for Samsung models using the holder ring.

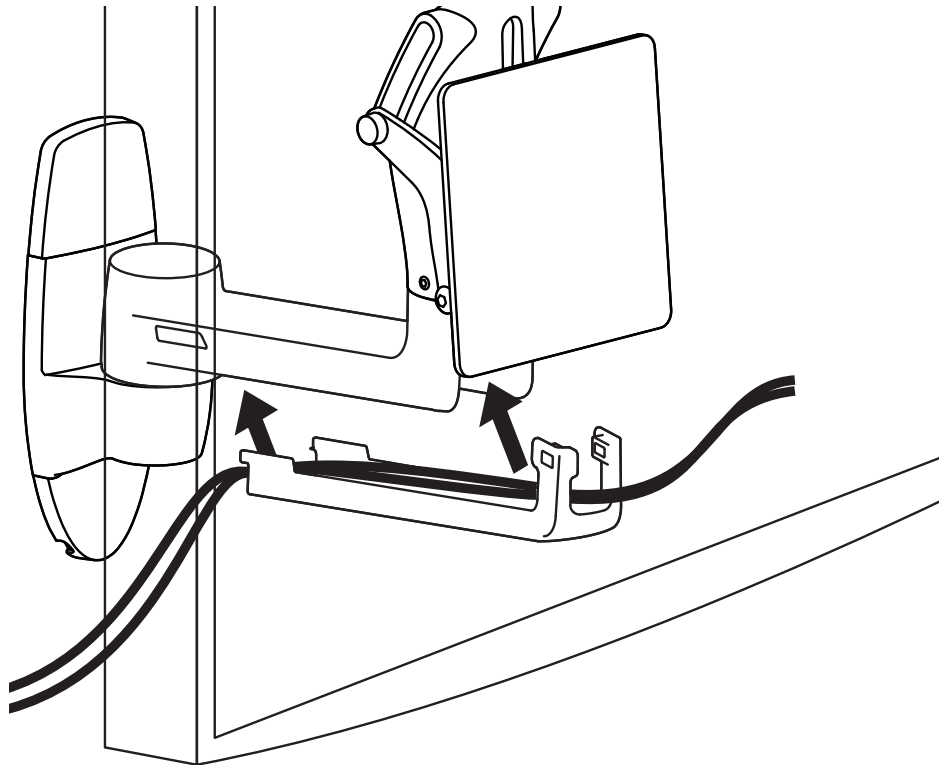
Install M8M5 reducer bushing to TV/Monitor then use M5 x 20 mm monitor screws and Samsung holder ring to secure.



4 ATTACH TO WALL MOUNT BRACKET



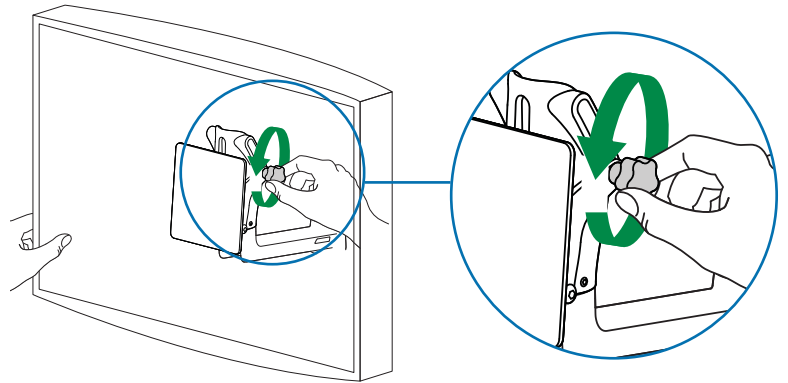
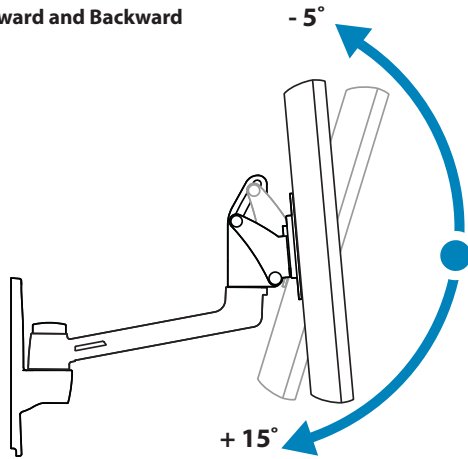
Cable Routing



5 Adjustment Step

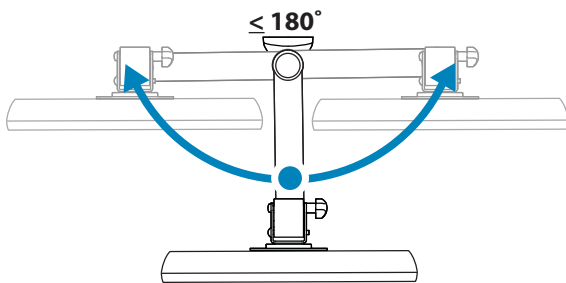
Important! You will need to adjust this product after installation is complete. Make sure all your equipment is properly installed on the product before attempting adjustments. This product should move smoothly and easily through the full range of motion and stay where you set it. If movements are too easy or difficult or if product does not stay in desired positions, follow the adjustment instructions to create smooth and easy movements. Depending on your product and the adjustment, it may take many turns to notice a difference. Any time equipment is added or removed from this product, resulting in a change in the weight of the mounted load, you should repeat these adjustment steps to ensure safe and optimum operation.

a Tilt – Forward and Backward



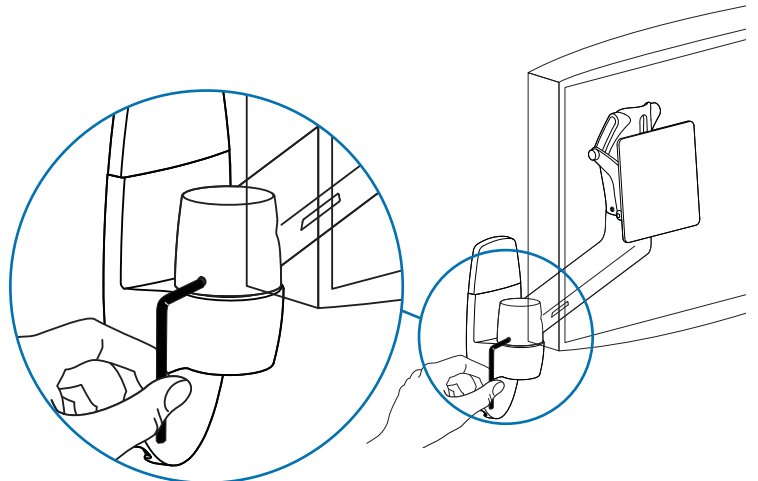
Loosen knob, tilt Display to desired position then retighten knob.

b Arm Swing – Side-to-side

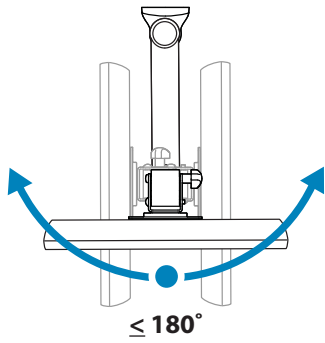


+ **LB kg** Increase Friction
If this product moves too easily, then you'll need to increase friction:

- **LB kg** Decrease Friction
If this product is too difficult to move, then you'll need to decrease friction:



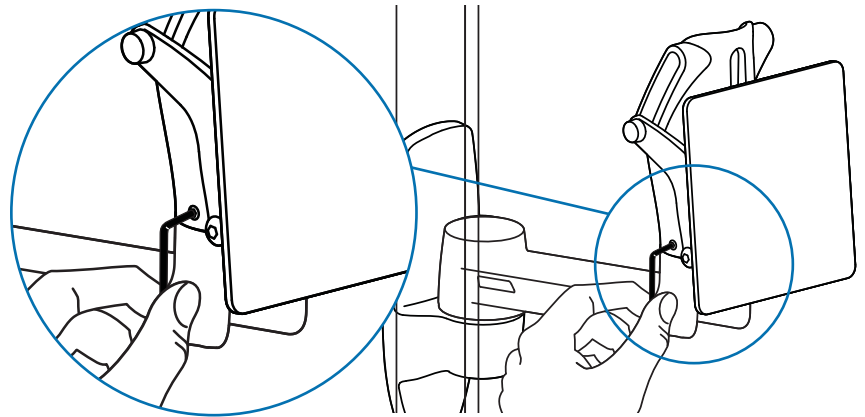
C Pan - Side-to-side



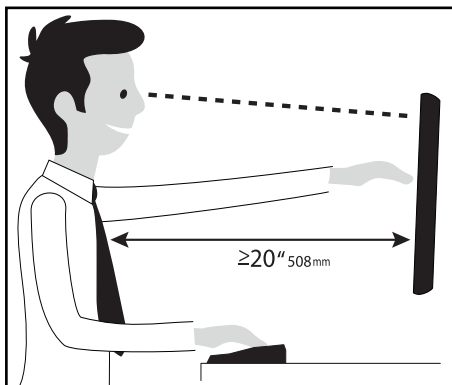
Increase Friction
If this product moves too easily, then you'll need to increase friction:



Decrease Friction
If this product is too difficult to move, then you'll need to decrease friction:



Set Your Workstation to Work For YOU!



Learn more about ergonomic computer use at:
www.computingcomfort.org

- Height** Position top of screen slightly below eye level.
Position keyboard at about elbow height with wrists flat.
- Distance** Position screen an arm's length from face—at least 20" (508mm).
Position keyboard close enough to create a 90° angle in elbow.
- Angle** Tilt screen to eliminate glare.
Tilt the keyboard back 10° so that your wrists remain flat.

- To Reduce Fatigue**
- Breathe - Breathe deeply through your nose.
 - Blink - Blink often to avoid dry eyes.
 - Break • 2 to 3 minutes every 20 minutes
 - 15 to 20 minutes every 2 hours.

For Warranty visit: www.ergotron.com/warranty

For Service visit: www.ergotron.com

For local customer care phone numbers visit: <http://contact.ergotron.com>

NOTE: When contacting customer service, reference the serial number.

ergotron®

www.ergotron.com | USA: 1-800-888-8458 | Europe: +31 (0)33-45 45 600 | China: 400-120-3051 | Japan: japansupport@ergotron.com

© 2014 Ergotron, Inc. All rights reserved.

While Ergotron, Inc. makes every effort to provide accurate and complete information on the installation and use of its products, it will not be held liable for any editorial errors or omissions (including those made in the process of translation from English to another language), or for incidental, special or consequential damages of any nature resulting from furnishing this instruction and performance of equipment in connection with this instruction. Ergotron, Inc. reserves the right to make changes in the product design and/or product documentation without notification to its users. For the most current product information, or to know if this document is available in languages other than those herein, please contact Ergotron. No part of this publication may be reproduced, stored in a retrieval system, or transmitted in any form or by any means, electronic, mechanical, photocopying, recording or otherwise without the prior written consent of Ergotron, Inc., 1181 Trapp Road, Eagan, Minnesota, 55121, USA Patents Pending and Patented U.S. & Foreign. Ergotron is a registered trademark of Ergotron, Inc.