

ZYXEL

LTE3316 Series 4G LTE-A Indoor IAD



Quick Start Guide

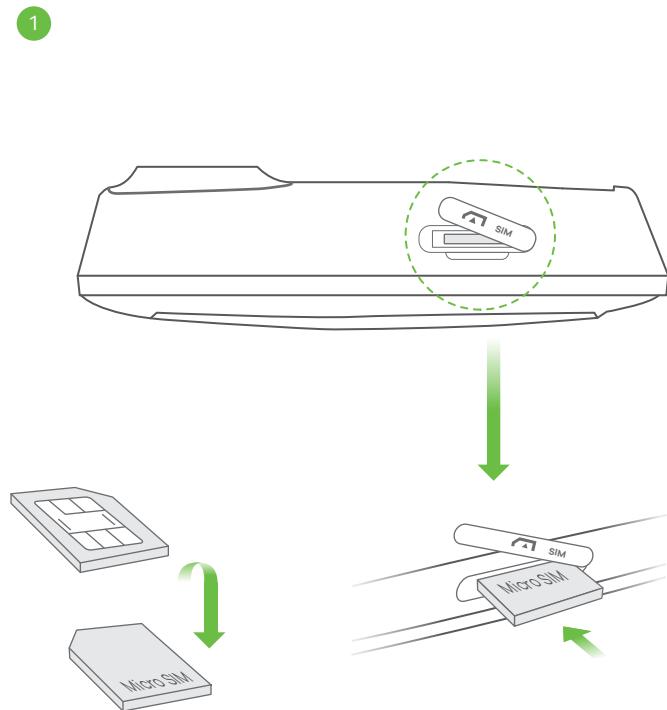
ENGLISH | DEUTSCH | ESPAÑOL | FRANÇAIS

Package Contents

	Device
	Ethernet Cable
	Power Cable
	QSG
	Declaration of Conformity
	Safety Warning
	Warranty Card

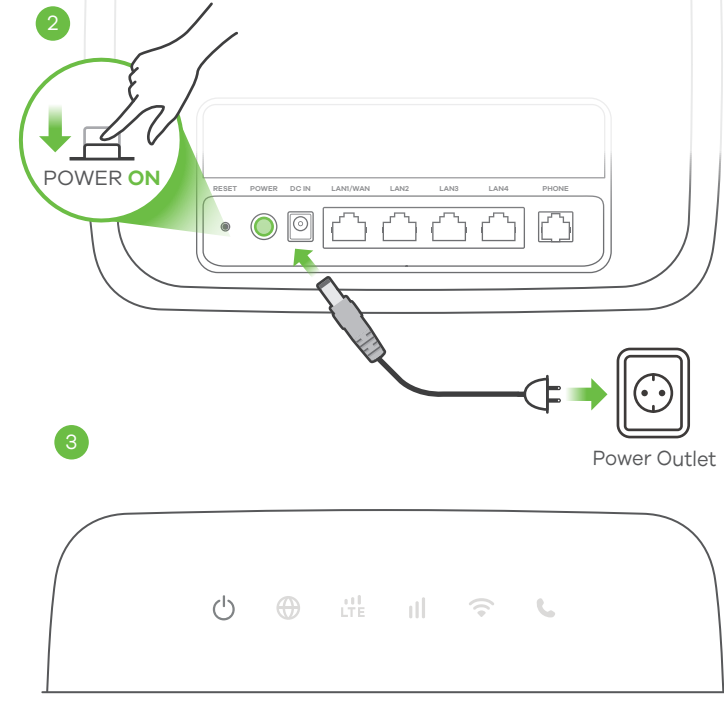
* Do not wall-mount this device over the height of 2 m.

1 Hardware Installation



*Insert a Micro SIM card into the slot with the chip facing down and the beveled corner in the top left corner.

- EN** ① Check that the LTE3316 is turned off. Insert your SIM card (Micro-SIM card) to the SIM card slot for LTE network access as shown, and put the cover back in place after the installation. **Warning:** If you are using a Nano-SIM card, insert it correctly and securely into a SIM card adapter to avoid possible damage to your device.
- DE** ① Prüfen Sie, dass der LTE3316 ausgeschaltet ist. Legen Sie Ihre SIM-Karte (Micro-SIM-Karte) in den SIM-Kartensteckplatz für den LTE-Netzzugang wie gezeigt ein und bringen Sie die Abdeckung nach der Installation wieder an. **Warnung:** Wenn Sie eine Nano-SIM Karte verwenden, legen Sie sie korrekt und fest in den SIM Kartenadapter ein, um eine mögliche Beschädigung Ihres Geräts zu verhindern.
- ES** ① Compruebe que el LTE3316 esté apagado. Inserte la tarjeta SIM (tarjeta micro-SIM) en la ranura para tarjeta SIM para el acceso a red LTE como se muestra y coloque la tapa en su lugar tras la instalación. **Aviso:** Si utiliza una tarjeta Nano-SIM, insértela correctamente en un adaptador de tarjetas SIM para evitar posibles daños en su dispositivo.
- FR** ① Vérifiez que le LTE3316 est éteint. Insérez votre carte SIM (carte Micro-SIM) dans le logement pour carte SIM pour accéder au réseau LTE, comme indiqué, et remettez le cache après l'installation. **Avertissement:** Si vous utilisez une carte Nano-SIM, insérez-la correctement dans un adaptateur pour carte SIM pour éviter d'endommager votre équipement.



*Please see the last page for more information about LEDs.

	Power
	On - Power on Blinking - Starting up

- EN** ② Use the included power adaptor to connect the power socket to a power outlet. Press the **POWER** button to turn on the LTE3316. ③ Check that the LED lights are already on.
- DE** ② Schließen Sie den mitgelieferten Netzadapter an den Netzanschluss und an eine Netzsteckdose an. Drücken Sie auf die **POWER** Taste, um den LTE3316 einzuschalten. ③ Prüfen Sie, dass die LED Anzeigen bereits leuchten.
- ES** ② Utilice el adaptador de alimentación incluido para conectar el enchufe de alimentación a una toma de corriente. Presione el botón **POWER** para encender el LTE3316. ③ Compruebe si las luces LED están ya encendidas.
- FR** ② Utilisez le cordon d'alimentation inclus pour connecter la prise d'alimentation à une prise de courant. Appuyez sur le bouton **POWER** pour allumer le LTE3316. ③ Vérifiez que les voyants LED sont déjà allumés.

2 Network Connection

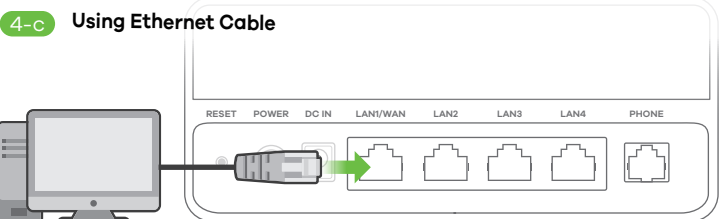


Scan the QR code on the device label to see the SSID and WiFi Key on your smartphone.



	WLAN WPS
	Blinking (slow) - Connecting to 2.4 GHz WiFi via WPS
	Blinking (slow) - Connecting to 5 GHz WiFi via WPS

- EN** ④-a Find the WiFi name (SSID) and enter the WiFi password. To initiate WPS to set up a secure WiFi connection between the LTE3316 and a wireless client, press the **WPS** button for longer than five seconds. Press the WPS button on the client within 2 minutes.
- DE** ④-a Suchen nach dem WLAN-Namen (SSID) und geben Sie das WLAN-Passwort ein. Um die WPS-Verschlüsselung für eine sichere WLAN-Verbindung zwischen dem LTE316 und einem WLAN-Gerät zu aktivieren, drücken Sie länger als fünf Sekunden auf die **WPS**-Taste. Drücken Sie innerhalb von 2 Minuten auf die WPS Taste.
- ES** ④-a Busque el nombre WiFi (SSID) y escriba la contraseña WiFi. Para iniciar WPS y configurar una conexión WiFi segura entre el LTE3316 y un cliente inalámbrico, mantenga presionado el botón **WPS** durante más de cinco segundos. Presione el botón WPS en el cliente antes de 2 minutos.
- FR** ④-a Trouvez le nom du réseau WiFi (SSID) et saisissez le mot de passe. Pour lancer une connexion WPS sécurisée sans partage de mot de passe entre le LTE3316 et un client sans fil, appuyez au moins cinq secondes sur le bouton **WPS**. Appuyez sur le bouton WPS sur le client dans les 2 minutes.

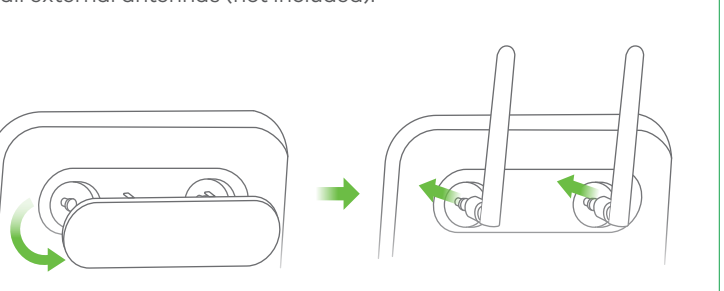


3 Configure LTE3316

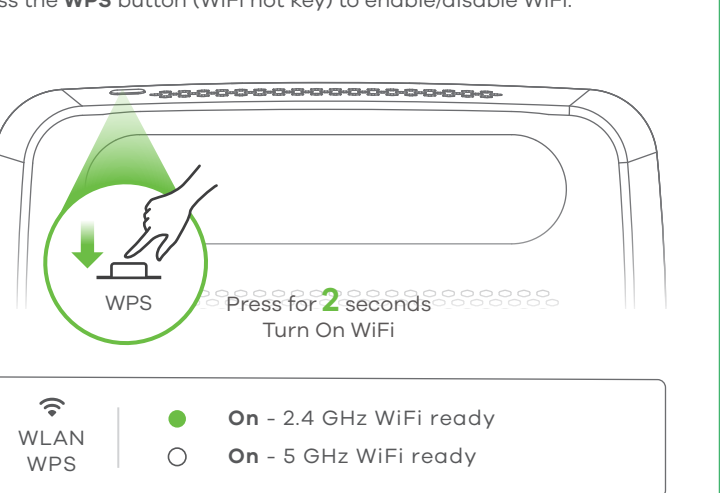


- EN** ④-c Use an Ethernet cable to connect a computer to one yellow LAN port of the LTE3316. ⑤ Connect your computer or notebook to the LTE3316 using an Ethernet cable. Open the web browser from your computer and enter the default management IP address (192.168.1.1). Enter the user name **admin** and password **1234**, then click **Login**. The home screen appears. Click the Wizard icon to change the default WiFi settings in **Step 3** set up WiFi.
- DE** ④-c Verwenden Sie ein Ethernet-Kabel, um einen Computer mit einem gelben LAN Port des LTE3316 zu verbinden. ⑤ Verwenden Sie ein Ethernet-Kabel, um Ihren Computer mit dem LTE3316 zu verbinden. Öffnen Sie den Webbrowser auf Ihrem Computer und geben Sie die Standard IP-Adresse (192.168.1.1) ein. Geben Sie den Benutzernamen **admin** und das Kennwort **1234** ein und klicken Sie anschließend auf **Login**. Die Startseite wird angezeigt. Klicken Sie auf das Assistentensymbol, um die Standard WLAN Einstellungen in **Schritt 3** WLAN einrichten zu ändern.
- ES** ④-c Utilice un cable Ethernet para conectar un ordenador a un puerto LAN amarillo del LTE3316. ⑤ Conecte su ordenador o portátil al LTE3316 mediante un cable Ethernet. Abra el explorador web de su ordenador y escriba la dirección IP de administración predeterminada (192.168.1.1). Escriba el nombre de usuario admin y la contraseña 1234 y luego haga clic en Login. Aparecerá la pantalla principal. Haga clic en el icono del Asistente para cambiar la configuración WiFi predeterminada en el **Paso 3** Configurar WiFi.
- FR** ④-c Utilisez un câble Ethernet pour connecter un ordinateur à un port LAN jaune du LTE3316. ⑤ Connectez votre ordinateur de bureau ou portable au LTE3316 à l'aide d'un câble Ethernet. Ouvrez le navigateur Web de votre ordinateur et entrez l'adresse IP de gestion par défaut (192.168.1.1). Entrez le nom d'utilisateur **admin** et le mot de passe **1234**, puis cliquez sur **Connexion**. L'écran d'accueil apparaît. Cliquez sur l'icône de l'assistant pour modifier les paramètres WiFi par défaut à l'étape 3 Configurer WiFi.

Accessories (Optional)



Turning On/Off WiFi (Optional)



- Troubleshooting**
- Power and Hardware Connections**
- Make sure the SIM card is correctly installed in the LTE3316.
 - Make sure the power jack is connected correctly.
- LTE3316 Access and Login**
- Make sure you are using the correct IP address.
 - The default IP address is 192.168.1.1.
 - If you changed the IP address and have forgotten it, you have to reset the device to its factory defaults. To do so, press the **RESET** button for more than five seconds.
 - Make sure your Internet browser does not block pop-up windows and has JavaScript enabled.
 - Make sure you have entered the username and password correctly. The default password is 1234. If this does not work, you have to reset the device to its factory defaults. To do so, press the **RESET** button for more than five seconds.
- Internet Access**
- Make sure you insert an LTE SIM card into the card slot before turning on the LTE3316.
 - Log into the web configurator (admin, 1234 are the default username and password).
 - Click **Setup Wizard**, then check the setting in **Step 2 WAN Setup**.
 - Make sure your LTE SIM card's account is valid and has an active data plan.
 - If you are using a pre-paid SIM card, insert the SIM card on another LTE device to check if the SIM card still works. If the SIM card works without any problems on another LTE device, contact the vendor. If the SIM card doesn't work, contact your service provider.
- WiFi Connections**
- Make sure the wireless LAN is enabled on the LTE3316.
 - Make sure the wireless adapter (installed on your computer) is working properly.
- 3G/LTE Connections**
- Make sure your SIM card's account is valid and has an active data plan.
 - Install the 3G/LTE external antennas to strengthen the cellular signal.

Internet		On - IP connection ready but no traffic Blinking - Transmitting IP traffic
LTE		On - 4G network ready Blinking (slow) - 3G network ready On - Ethernet WAN connection ready
Signal Strength		On - Good On - Fair On - Poor Blinking (slow) - No signal
WLAN WPS		Blinking (fast) - Transmitting data via 2.4 GHz WiFi Blinking (fast) - Transmitting data via 5 GHz WiFi
Voice		On - Telephone off of the hook Off - Telephone on the hook
		Blinking (fast) - Firmware upgrade
		Blinking - Reset

		On - 1000 Mbps LAN connection ready Blinking - Transmitting data at 1000 Mbps
		On - 10/100 Mbps LAN connection ready Blinking - Transmitting data at 10/100 Mbps

*Slow: the LED blinks once per second.
Fast: the LED blinks once per 0.5 second.

See the User's Guide at www.zyxel.com for more information, including customer support and safety warnings.

EU Importer
Zyxel Communications A/S
Gladsaxevej 378, 2. th. 2860 Søborg, Denmark
<http://www.zyxel.dk>

US Importer
Zyxel Communications, Inc
1130 North Miller Street Anaheim, CA 92806-2001
<http://www.us.zyxel.com>

Copyright © 2018 Zyxel Communications Corp. All Rights Reserved.

ZYXEL

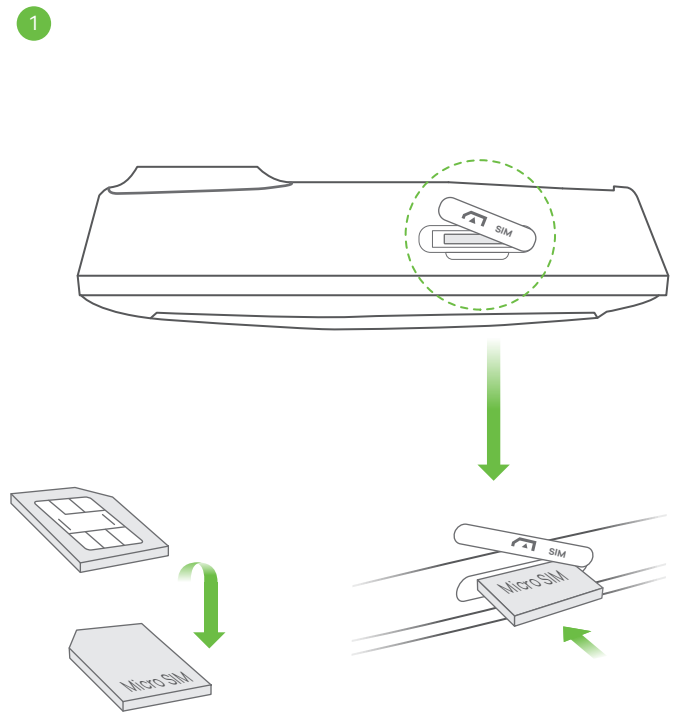
LTE3316 Series 4G LTE-A Indoor IAD



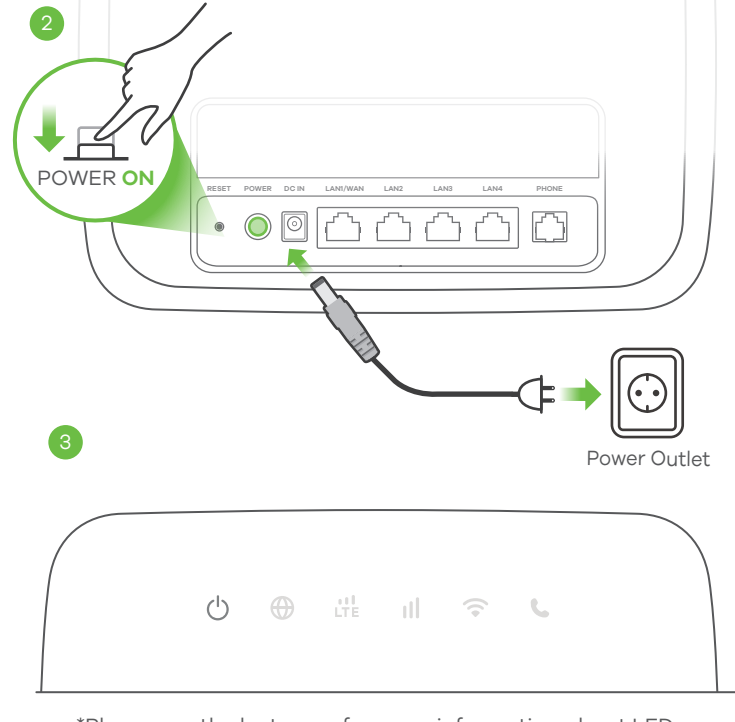
Quick Start Guide

ITALIANO | DANSK | NEDERLANDS | NORSK | SUOMI

1 Hardware Installation



*Insert a Micro SIM card into the slot with the chip facing down and the beveled corner in the top left corner.



*Please see the last page for more information about LEDs.

	On - Power on
	Blinking - Starting up

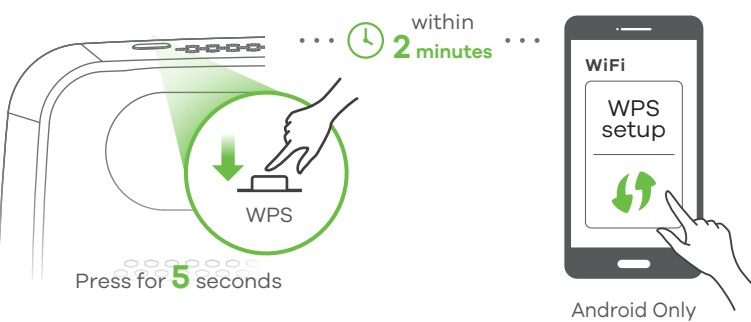
2 Network Connection

4-a Using SSID



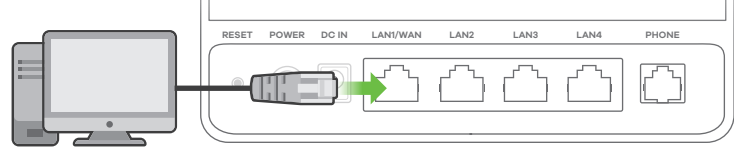
Scan the QR code on the device label to see the SSID and WiFi Key on your smartphone.

4-b Using WPS



	Blinking (slow) - Connecting to 2.4 GHz WiFi via WPS
	Blinking (slow) - Connecting to 5 GHz WiFi via WPS

4-c Using Ethernet Cable

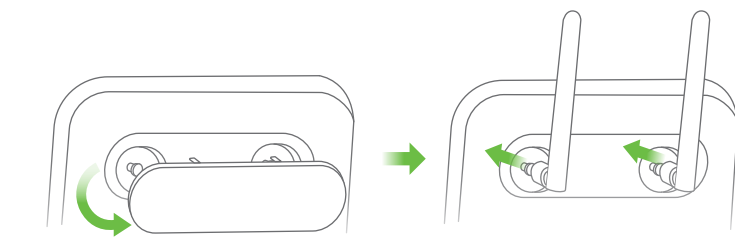


3 Configure LTE3316



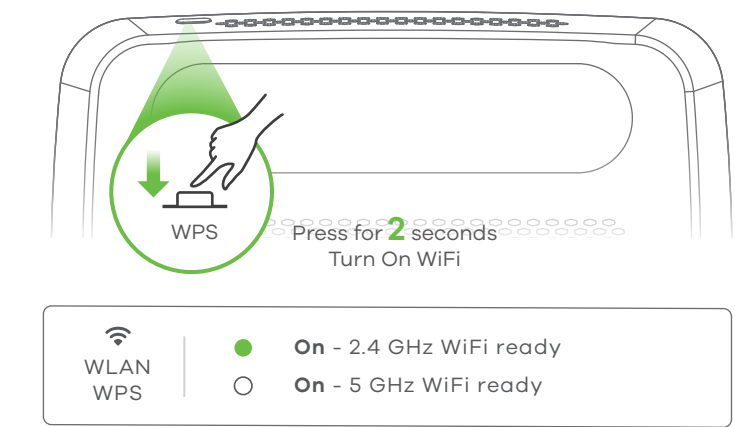
Accessories (Optional)

Install external antennas (not included).



Turning On/Off WiFi (Optional)

Press the WPS button (WiFi hot key) to enable/disable WiFi.



	On - 2.4 GHz WiFi ready
	On - 5 GHz WiFi ready

LEDs

		On - IP connection ready but no traffic Blinking - Transmitting IP traffic
		On - 4G network ready Blinking (slow) - 3G network ready On - Ethernet WAN connection ready
		On - Good On - Fair On - Poor Blinking (slow) - No signal
		Blinking (fast) - Transmitting data via 2.4 GHz WiFi Blinking (fast) - Transmitting data via 5 GHz WiFi
		On - Telephone off of the hook Off - Telephone on the hook

		Blinking (fast) - Firmware upgrade
		Blinking - Reset

Package Contents

- Device
- Ethernet Cable
- Power Cable
- QSG
- Declaration of Conformity
- Safety Warning
- Warranty Card

* Do not wall-mount this device over the height of 2 m.

- IT** ^① Verificare che l'unità LTE3316 sia spenta. Per l'accesso alla rete LTE inserire la scheda SIM (scheda micro-SIM) nello slot per la scheda SIM come indicato e rimettere il coperchio terminata l'installazione.
Attenzione: Se si utilizza una scheda nano-SIM, inserirla correttamente e saldamente nell'adattatore della scheda SIM per evitare possibili danni al dispositivo.
- DK** ^① Kontrollér at LTE3316 er slukket. Indsæt dit SIM-kort (Micro-SIM-kort) i SIM-kortåbningen, for netværksadgang til LTE, som vist, og sæt dækslet tilbage på plads efter installationen.
Advarsel: Hvis du bruger et Nano-SIM-kort, indsæt det korrekt i en SIM-kortadapter for at undgå eventuelle skader på din enhed.
- NL** ^① Controleer of de LTE3316 is uitgeschakeld. Plaats jouw SIM-kaart (Micro-SIM-kaart) in de SIM-kaartgleuf voor toegang tot LTE-netwerk zoals getoond en plaats het klepje na installatie terug op zijn plaats.
Waarschuwing: Als je een Nano-SIM-kaart gebruikt, plaats deze op juiste wijze in de SIM-kaartadapter om mogelijke schade aan jouw apparaat te voorkomen.
- NO** ^① Sjekk at LTE3316 er slått av. Sett inn SIM-kortet (mikro-SIM-kortet) i SIM-kortsporet for LTE-nettverkstilgang som vist, og sett på dekslet igjen etter installasjonen.
Advarsel: Hvis du bruker et nano-SIM-kort, setter du det inn i en SIM-kortadapter for å unngå mulig skade på enheten.
- FI** ^① Tarkista, että LTE3316 on poissa päältä. Jos haluat käyttää LTE-verkkoyhteyttä, aseta SIM-kortti (mikro-SIM) korttipaikkaan kuvassa näkyvällä tavalla ja aseta sitten kansi takaisin.
Varoitus: Jos käytössä on nano-SIM-kortti, aseta kortti ensin korttisovitimeen ja varmista, että kortti on asetettu sovitimeen oikein. Muussa tapauksessa laite voi vahingoittua.

- IT** ^② Utilizzare l'alimentatore fornito a corredo per collegare la presa di alimentazione a una presa della corrente. Premere il pulsante **POWER** pre accedere l'LTE3316.
^③ Assicurarsi che le spie LED siano accese.
- DK** ^② Brug den medfølgende strømadapter til at tilslutte strømstikket til en stikkontakt.
Tryk på **Tænd/sluk**-knappen for at tænde for LTE3316.
^③ Kontrollér, at LED-indikatorerne allerede er tændt.
- NL** ^② Gebruik de bijgesloten stroomadapter om de router op een stopcontact aan te sluiten.
Druk op de **power**-toets om de LTE3316 aan te schakelen.
^③ Controleer of de LED-lampjes al branden.
- NO** ^② Bruk den medfølgende strømadapteren for å koble strømkontakten til strømuttak.
Trykk på **AV/PÅ**-knappen for å slå på LTE3316.
^③ Sjekk at LED-lampene allerede er på.
- FI** ^② Yhdistä virtapistoke pistorasiaan mukana toimitetulla virtasovittimella.
Käynnistä LTE3316-laite painamalla **virtakytkintä** (POWER).
^③ Tarkista, että merkivaloissa palaa valo.

- IT** ^{④-a} Trovare il nome WiFi (SSID) e immettere la password WiFi.
^{④-b} Per avviare il WPS e impostare una connessione WiFi sicura tra l'LTE3316 e un client wireless, premere il pulsante **WPS** per più di cinque secondi. Premere il pulsante WPS sul client entro 2 minuti.
- DK** ^{④-a} Find WiFi-navnet (SSID) og indtast WiFi-adgangskoden.
^{④-b} For at igangsætte WPS til opsætning af en sikker WiFi-forbindelse mellem LTE3316 og en trådløs klient, tryk på WPS-knappen i mere end fem sekunder. Tryk på **WPS**-knappen på klienten inden for 2 minutter.
- NL** ^{④-a} Zoek de WiFi-naam (SSID) en voer het WiFi-wachtwoord in.
^{④-b} Stel een beveiligde WiFi aansluiting in tussen de LTE3316 en een draadloze klant om WPS op te starten: druk langer dan vijf seconden op de **WPS** knop. Druk binnen 2 minuten op de WPS-knop op de klant.
- NO** ^{④-a} Finn frem til WiFi-navnet (SSID) og angi WiFi-passordet.
^{④-b} For å starte WPS og sette opp en sikker WiFi-tilkobling mellom LTE3316 og en trådløs klient trykker du på WiFi-knappen i mer enn fem sekunder. Trykk på WPS-knappen på klienten i løpet av 2 minutter.
- FI** ^{④-a} Etsi haluttu langattoman verkon nimi (SSID) ja kirjoita verkon salasana.
^{④-b} Voit muodostaa suojatun langattoman yhteyden LTE3316-laitteen ja langattoma verkkoyhteyttä käyttävän laitteen välille **WPS**-toiminnon avulla painamalla **WPS**-painiketta ja pitämällä sen painettuna yli viiden sekunnin ajan. Paina sitten asiakaslaitteen **WPS**-painiketta kahden minuutin kuluessa.

- IT** ^{④-c} Utilizzare un cavo Ethernet per collegare un computer a una porta LAN gialla dell'unità LTE3316.
^⑤ Collegare il vostro computer o notebook all'LTE3316 usando un cavo Ethernet. Aprire il browser web dal computer e inserire l'indirizzo IP di gestione predefinito (192.168.1.1). Immettere il nome **admin** e la password **1234**, quindi fare clic su **Login**. Viene visualizzata la schermata Home. Fare clic sull'icona della procedura guidata per modificare le impostazioni WiFi predefinite nel **Passaggio 3** Configurazione WiFi.
- DK** ^{④-c} Brug et Ethernet-kabel til at tilslutte en computer til en gul LAN-port på LTE3316.
^⑤ Tilslut din computer eller notebook til LTE3316 ved brug af et Ethernet-kabel. Åbn webbrowseren fra din computer og indtast den standardiserede administrations-IP-adresse (192.168.1.1). Indtast brugernavn **admin** og adgangskoden **1234**, klik herefter på **Login**. Startskærmen vises. Klik på Wizard-ikonet (opsætningshjælpeprogrammet) for at ændre standard-WiFi-indstillingerne i **Trin 3**, set up WiFi.
- NL** ^{④-c} Gebruik een Ethernet-kabel om een computer te verbinden met een gele LAN-poort van de LTE3316.
^⑤ Sluit uw computer of notebook aan op de LTE3316 met een Ethernet-kabel. Open de webbrowser van uw computer en voer het fabrieksinstellings IP adres voor beheer (192.168.1.1) in. Voer de gebruikersnaam **admin** en wachtwoord **1234** in, klik daarna op **Login**. Het Home scherm verschijnt. Klik op het Wizard icoon om de standaard WiFi instellingen in **Step 3** set up WiFi te veranderen.
- NO** ^{④-c} Bruk en Ethernet-kabel til å koble en datamaskin til en gul LAN-port på LTE3316.
^⑤ Koble datamaskinen eller notisboken til LTE3316 ved hjelp av en Ethernet-kabel. Åpne nettleseren fra datamaskinen og angi standard administrativ IP-adresse (192.168.1.1). Skriv inn brukernavn **admin** og passordet **1234**, og klikk på **Login** (Logg på). Startskjerm bildet vises. Klikk på ikonet Wizard (Veiviser) for å endre standard WiFi-innstillingene i **Trinn 3** set up WiFi (Oppsett av WiFi).
- FI** ^{④-c} Voit liittää yhden tietokoneen LTE3316:n keltaiseen-LAN-porttiin Ethernet-kaapelilla.
^⑤ Liitä tietokone tai kannettava tietokone LTE3316-laitteeseen Ethernet-kaapelilla. Avaa tietokoneesi verkkoselain ja anna hallinnan oletusarvona oleva IP-osoite (192.168.1.1). Näppäile käyttäjänimi **admin** ja salasana **1234** ja valitse sitten **Login** (Kirjaudu sisään). Aloitusnäyttö tulee näkyviin. Voit muuttaa langattoman verkon oletusasetuksia **asennuksen kohdassa 3** napsauttamalla ohjatun toiminnon kuvaketta (Wizard).

Troubleshooting

- Power and Hardware Connections**
 - Make sure the SIM card is correctly installed in the LTE3316.
 - Make sure the power jack is connected correctly.
- LTE3316 Access and Login**
 - Make sure you are using the correct IP address.
 - The default IP address is 192.168.1.1.
 - If you changed the IP address and have forgotten it, you have to reset the device to its factory defaults. To do so, press the **RESET** button for more than five seconds.
 - Make sure your Internet browser does not block pop-up windows and has JavaScript enabled.
 - Make sure you have entered the username and password correctly. The default password is 1234. If this does not work, you have to reset the device to its factory defaults. To do so, press the **RESET** button for more than five seconds.
- Internet Access**
 - Make sure you insert an LTE SIM card into the card slot before turning on the LTE3316.
 - Log into the web configurator (admin, 1234 are the default username and password).
 - Click **Setup Wizard**, then check the setting in **Step 2 WAN Setup**.
 - Make sure your LTE SIM card's account is valid and has an active data plan.
 - If you are using a pre-paid SIM card, insert the SIM card on another LTE device to check if the SIM card still works. If the SIM card works without any problems on another LTE device, contact the vendor. If the SIM card doesn't work, contact your service provider.
- WiFi Connections**
 - Make sure the wireless LAN is enabled on the LTE3316.
 - Make sure the wireless adapter (installed on your computer) is working properly.
- 3G/LTE Connections**
 - Make sure your SIM card's account is valid and has an active data plan.
 - Install the 3G/LTE external antennas to strengthen the cellular signal.

		On - 1000 Mbps LAN connection ready Blinking - Transmitting data at 1000 Mbps
		On - 10/100 Mbps LAN connection ready Blinking - Transmitting data at 10/100 Mbps

*Slow: the LED blinks once per second.
Fast: the LED blinks once per 0.5 second.

See the User's Guide at www.zyxel.com for more information, including customer support and safety warnings.

EU Importer
Zyxel Communications A/S
Gladsaxevej 378, 2. th. 2860 Søborg, Denmark
<http://www.zyxel.dk>

US Importer
Zyxel Communications, Inc
1130 North Miller Street Anaheim, CA 92806-2001
<http://www.us.zyxel.com>

Copyright © 2018 Zyxel Communications Corp. All Rights Reserved.

ZYXEL

LTE3316 Series
4G LTE-A Indoor IAD



Quick Start Guide

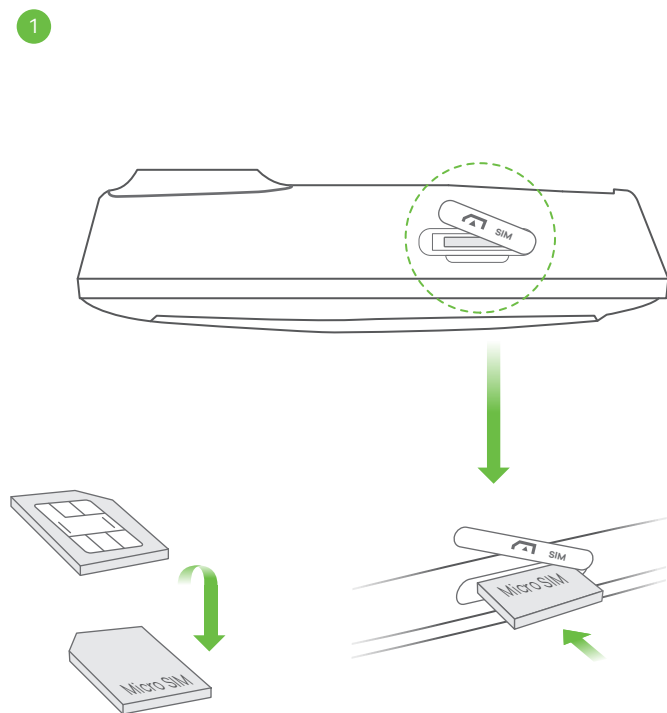
SVENSKA | CEŠTINA | MAGYAR | POLSKI

Package Contents

	Device
	Ethernet Cable
	Power Cable
	QSG
	Declaration of Conformity Safety Warning Warranty Card

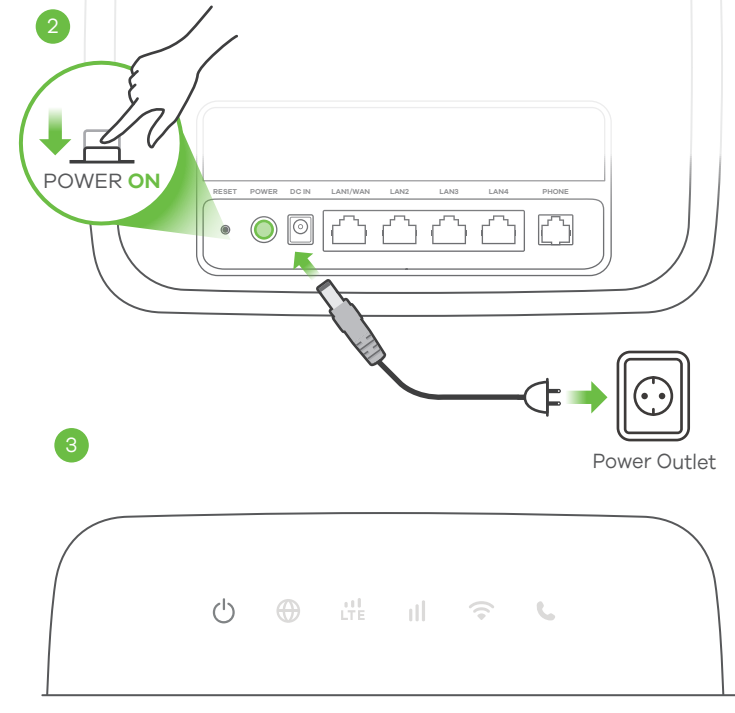
* Do not wall-mount this device over the height of 2 m.

1 Hardware Installation



*Insert a Micro SIM card into the slot with the chip facing down and the beveled corner in the top left corner.

- SE** ① Kontrollera att LTE3316 är avstängd. Sätt i SIM-kortet (micro-SIM-kort) i SIM-kortplatsen för LTE-nätverksåtkomst enligt bilden och sätt tillbaka locket efter installationen.
Varning: Om du använder ett nano-SIM-kort, sätt i det på rätt och säkert sätt i SIM-kortadaptern för att undvika eventuella skador på din enhet.
- CZ** ① Ujistěte se, že je zařízení LTE3316 vypnuté. Podle obrázku vložte SIM kartu (microSIM kartu) do slotu pro SIM karty, abyste získali přístup k síti LTE, a pak zavřete kryt.
Varování: Pokud používáte nanoSIM kartu, vložte ji napevno do adaptéru pro SIM karty, aby se zařízení neponičilo.
- HU** ① Az LTE3316 legyen kikapcsolva. Az LTE hálózathoz történő kapcsolódáshoz helyezze be a SIM-kártyát (Micro-SIM-kártya) a SIM-kártyafogalalbatba az ábrán látható módon, majd helyezze vissza a fedelet.
Figyelmeztetés: Ha Nano-SIM-kártyát használ, helyesen és biztonságosan helyezze azt a SIM kártya adapterbe, hogy elkerülje a készülék esetleges sérülését.
- PL** ① Sprawdź, czy router LTE3316 jest wyłączony. Aby uzyskać dostęp do sieci LTE, włóż kartę SIM (karta Micro-SIM) do gniazda karty SIM zgodnie z rysunkiem, a następnie załóż pokrywę.
Ostrzeżenie: W przypadku używania karty Nano-SIM należy ją prawidłowo i pewnie umieścić w adapterze karty SIM, aby uniknąć ewentualnego uszkodzenia urządzenia.

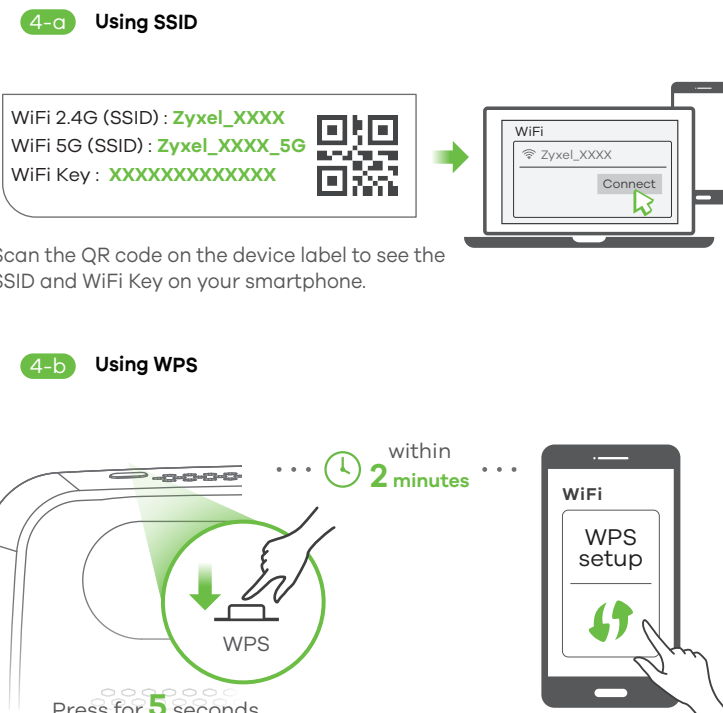


*Please see the last page for more information about LEDs.

	Power
	On - Power on Blinking - Starting up

- SE** ② Använd den medföljande strömadaptern och anslut eluttaget till ett vägguttag.
Tryck på **STRÖMBRYTAREN** för att slå på LTE3316.
- CZ** ② K připojení do elektrické sítě použijte dodaný adaptér, jehož konektor zasuněte do zdířky napájení v zařízení.
Stisknutím tlačítka **POWER** zapněte zařízení LTE3316. Zkontrolujte, jestli svítí jeho diody.
- HU** ② A mellékelt elektromos hálózati adapterrel csatlakoztassa a tápcsatlakozót egy elektromos aljzathoz.
Nyomja meg a **FOKAPCSOLÓ** gombot az LTE3316 bekapcsolásához.
- PL** ② Użyj dołączonego do zestawu zasilacza i podłącz go do gniazda elektrycznego.
Wciśnij przycisk **POWER**, aby włączyć urządzenie LTE3316.

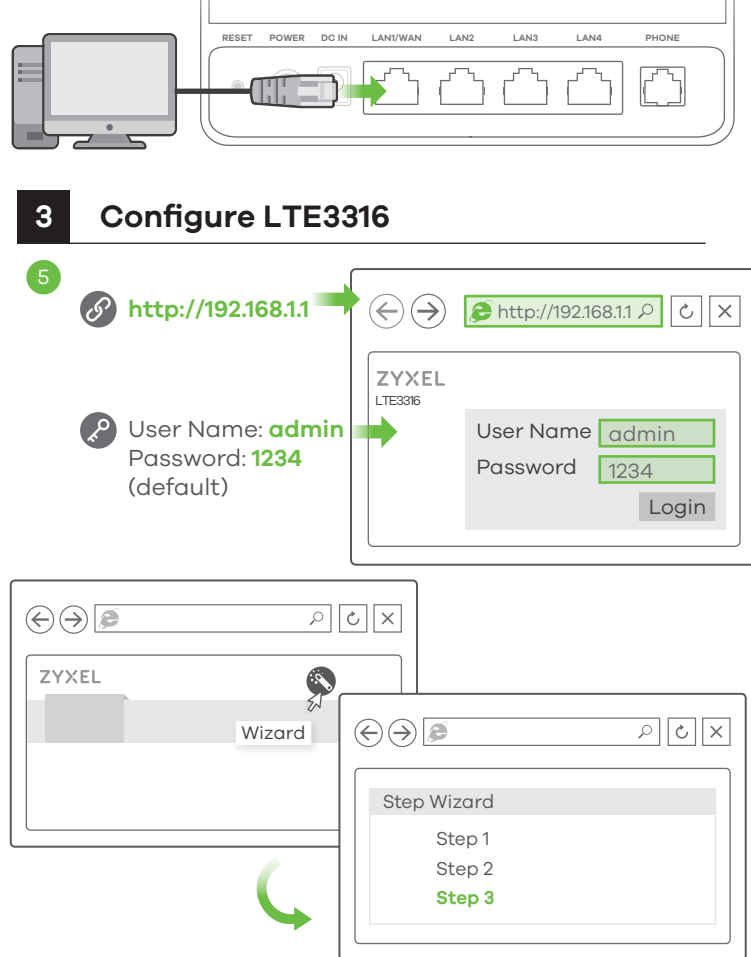
2 Network Connection



	WLAN WPS
	Blinking (slow) - Connecting to 2.4 GHz WiFi via WPS Blinking (slow) - Connecting to 5 GHz WiFi via WPS

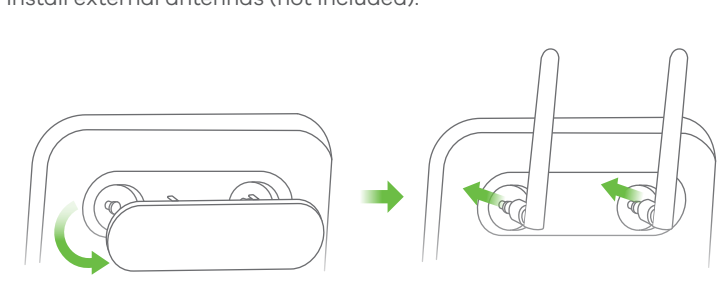
- SE** ④-a Hitta WiFi-namnet (SSID) och ange Wi-Fi-lösenordet.
④-b För att initiera WPS för konfiguration av en säker Wi-Fi-anslutning mellan LTE3316 och en trådlös klient trycker du på **WPS**-knappen i mer än fem sekunder. Tryck på klientens WPS-knapp inom 2 minuter.
- CZ** ④-a Vyhleďte název sítě WiFi (SSID) a zadejte heslo k síti WiFi.
④-b Chcete-li spustit WPS a nastavit zabezpečené připojení WiFi mezi zařízením LTE3316 a bezdrátovým klientem, stiskněte a déle než pět vteřin držte tlačítko **WPS**. Během dvou minut stiskněte tlačítko WPS na klientském zařízení.
- HU** ④-a Keresse meg a WiFi hálózat nevét (SSID), és adja meg a WiFi jelszavát.
④-b A WPS kapcsolat kezdeményezéséhez, mellyel biztonságos Wi-Fi-kapcsolatot létesíthet az LTE3316 és egy vezeték nélküli készülék között, nyomja legalább öt másodpercig a **WPS** gombot. 2 percen belül nyomja meg a WPS gombot a kliensen.
- PL** ④-a Odszukaj nazwę WiFi (SSID) i wprowadź hasło WiFi.
④-b Aby zainicjować WPS i skonfigurować bezpieczne połączenie WiFi pomiędzy urządzeniem LTE3316 oraz klientem sieci bezprzewodowej, należy wcisnąć i przytrzymać przycisk **WPS** przez dłużej niż pięć sekund. Następnie, w ciągu 2 minut, wcisnij przycisk WPS na urządzeniu bezprzewodowym.

3 Configure LTE3316

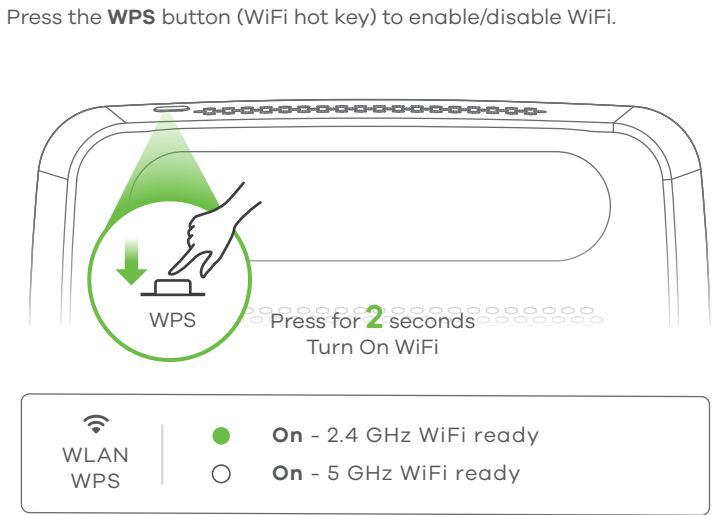


- SE** ④-c Använd en Ethernet-kabel för att ansluta en dator till en gul LAN-port på LTE3316.
⑤ Anslut datorn eller din notebook till LTE3316 med en Ethernet-kabel. Öppna webbläsaren på datorn och ange standardhanterings-IP-adress (192.168.1.1). Ange **Ange användarnamn admin** och lösenord, **1234**, klicka sedan på **Login**. Hemskrärmen visas. Klicka på Wizard-ikonen (installationsguide) för att ändra standardinställningar för WiFi i **Steg 3** Installera WiFi.
- CZ** ④-c Pomocí ethernetového kabelu připojte počítač k jednomu žlutému portu LAN zařízení LTE3316.
⑤ Ethernetovým kabelem připojte počítač nebo notebook k zařízení LTE3316. Z počítače spusťte webový prohlížeč a zadejte výchozí IP adresu správy (192.168.1.1). Zadejte uživatelské jméno **admin** a heslo **1234**. Potom klikněte na tlačítko **Login**. Objeví se domovská obrazovka. Pokud chcete v **kroku 3** nastavení změnit výchozí nastavení WiFi, klikněte na ikonu průvodce.
- HU** ④-c Ethernet-kábellel csatlakoztassa a számítógépet az LTE3316 egyik sárga LAN-portjához.
⑤ Ethernet-kábellel csatlakoztassa számítógépet vagy notebookját az LTE3316 készülékhez. Nyissa meg a böngészőt számítógépén, és adja meg az alapértelmezett kezelőfelület IP-címét (192.168.1.1). Adja meg a felhasználónevet (**admin**) és a jelszót (**1234**), majd kattintson a **Login** (bejelentkezés) gombra. Megjelenik a kezdőképernyő. Kattintson a Wizard (varázsló) ikonra az alapértelmezett WiFi-beállítások módosításához, és a **3. lépésben** a WiFi beállításához.
- PL** ④-c Użyj kabla Ethernet do podłączenia komputera do portu LAN urządzenia LTE3316.
⑤ Podłącz komputer lub notebook do urządzenia LTE3316 korzystając z kabla Ethernet. Otwórz przeglądarkę komputerową i wprowadź domyślny adres IP do zarządzania (192.168.1.1). Wprowadź nazwę użytkownika **admin** oraz hasło **1234** i kliknij **Login**. Zostanie wyświetlona strona główna. Kliknij ikonę Kreatora konfiguracji aby zmienić domyślne ustawienia WiFi w **Kroku 3** Konfiguracji WiFi.

Accessories (Optional)



Turning On/Off WiFi (Optional)



Troubleshooting

- Power and Hardware Connections**
- Make sure the SIM card is correctly installed in the LTE3316.
- Make sure the power jack is connected correctly.
- LTE3316 Access and Login**
- Make sure you are using the correct IP address.
• The default IP address is 192.168.1.1.
• If you changed the IP address and have forgotten it, you have to reset the device to its factory defaults. To do so, press the **RESET** button for more than five seconds.
- Make sure your Internet browser does not block pop-up windows and has JavaScript enabled.
- Make sure you have entered the username and password correctly. The default password is 1234. If this does not work, you have to reset the device to its factory defaults. To do so, press the **RESET** button for more than five seconds.
- Internet Access**
- Make sure you insert an LTE SIM card into the card slot before turning on the LTE3316.
- Log into the web configurator (admin, 1234 are the default username and password).
Click **Setup Wizard**, then check the setting in **Step 2 WAN Setup**.
- Make sure your LTE SIM card's account is valid and has an active data plan.
- If you are using a pre-paid SIM card, insert the SIM card on another LTE device to check if the SIM card still works. If the SIM card works without any problems on another LTE device, contact the vendor. If the SIM card doesn't work, contact your service provider.
- WiFi Connections**
- Make sure the wireless LAN is enabled on the LTE3316.
- Make sure the wireless adapter (installed on your computer) is working properly.
- 3G/LTE Connections**
- Make sure your SIM card's account is valid and has an active data plan.
- Install the 3G/LTE external antennas to strengthen the cellular signal.

LEDs

	Internet	<input type="radio"/> On - IP connection ready but no traffic Blinking - Transmitting IP traffic
	LTE	<input type="radio"/> On - 4G network ready Blinking (slow) - 3G network ready <input type="radio"/> On - Ethernet WAN connection ready
	Signal Strength	<input type="radio"/> On - Good <input type="radio"/> On - Fair <input type="radio"/> On - Poor Blinking (slow) - No signal
	WLAN WPS	<input type="radio"/> Blinking (fast) - Transmitting data via 2.4 GHz WiFi <input type="radio"/> Blinking (fast) - Transmitting data via 5 GHz WiFi
	Voice	<input type="radio"/> On - Telephone off of the hook Off - Telephone on the hook
		Blinking (fast) - Firmware upgrade
		Blinking - Reset

	LAN	<input type="radio"/> On - 1000 Mbps LAN connection ready Blinking - Transmitting data at 1000 Mbps <input type="radio"/> On - 10/100 Mbps LAN connection ready Blinking - Transmitting data at 10/100 Mbps
--	-----	--

*Slow: the LED blinks once per second.
Fast: the LED blinks once per 0.5 second.

See the User's Guide at www.zyxel.com for more information, including customer support and safety warnings.

EU Importer
Zyxel Communications A/S
Gladsaxevej 378, 2. th. 2860 Søborg, Denmark
<http://www.zyxel.dk>

US Importer
Zyxel Communications, Inc
1130 North Miller Street Anaheim, CA 92806-2001
<http://www.us.zyxel.com>

Copyright © 2018 Zyxel Communications Corp. All Rights Reserved.

ZYXEL

LTE3316 Series 4G LTE-A Indoor IAD



Quick Start Guide

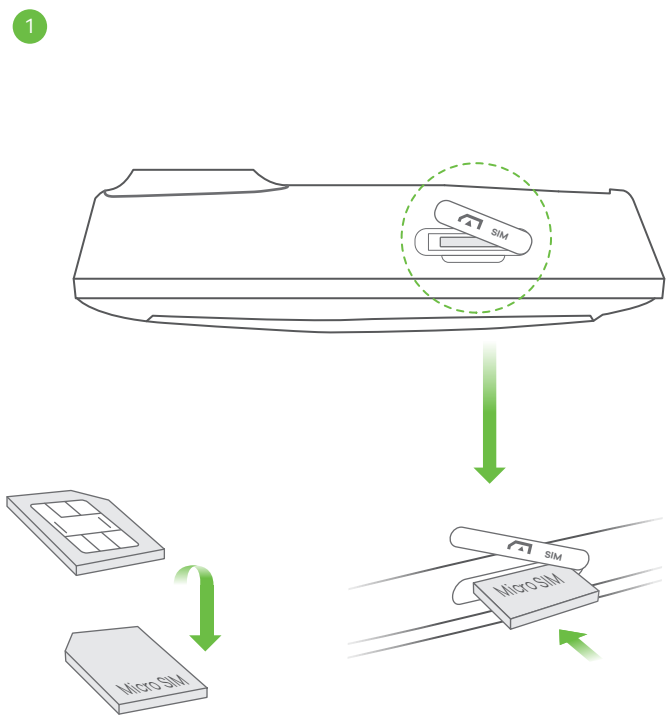
ROMÂNĂ | Slovenčina | Slovenščina | БЪЛГАРСКИ
РУССКИЙ

Package Contents

	Device
	Ethernet Cable
	Power Cable
	QSG
	Declaration of Conformity Safety Warning Warranty Card

* Do not wall-mount this device over the height of 2 m.

1 Hardware Installation



*Insert a Micro SIM card into the slot with the chip facing down and the beveled corner in the top left corner.

RO ① Verificați dacă dispozitivul LTE3316 este oprit. Inserați cartela dvs. SIM (cartelă micro-SIM) în fanta pentru cartelă SIM, pentru a avea acces la rețeaua LTE conform ilustrației și puneți capacul la loc după instalare.
Avertisment: Dacă utilizați o cartelă nano-SIM, inserați-o corect și sigur într-un adaptor pentru cartelă SIM, pentru a evita posibila deteriorare a dispozitivului dvs.

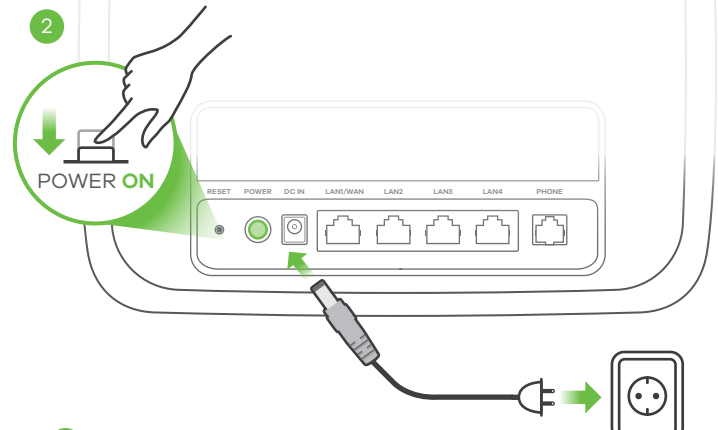
SK ① Ujistite sa, že je zariadenie LTE3316 vypnuté. Podľa obrázku vložte SIM kartu (kartu micro-SIM) do slotu SIM karty tak, aby ste získali prístup k sieti LTE, a potom zatvorte kryt.
Varovanie: Ak používate kartu nano SIM, vložte ju pevne do adaptéra pre SIM kartu, aby nedošlo k zničeniu zariadenia.

SI ① Preverite, ali je LTE3316 izklopljen. Za dostop do LTE omrežja vašo SIM kartico (micro-SIM kartico) vstavite v režo SIM kartice, kot je prikazano, in po vstavitvi ponovno namestite pokrov na njegovo mesto.
Opozorilo: Če uporabljate nano-SIM kartico, potem jo pravilno in varno vstavite v vmesnik SIM kartice, da se izognete možnim poškodbam vaše naprave.

BG ① Уверете се, че LTE3316 е изключен. Поставете SIM карта (Micro-SIM карта) в слота за SIM карта за достъп до LTE мрежата, както е показано, а след инсталацията поставете обратно капака на мястото му.

Предупреждение: Ако използвате Nano-SIM карта, поставете я правилно в адаптера за SIM карта, за да избегнете повреждане на устройството Ви.

RU ① Убедитесь, что устройство LTE3316 выключено. Для получения доступа к сети LTE вставьте SIM-карту (карту Micro-SIM) в гнездо SIM-карты, как показано на рисунке, и установите крышудку обратно.
Предупреждение: При использовании карты Nano-SIM правильно и надежно вставьте ее в адаптер SIM-карты во избежание повреждения устройства.



*Please see the last page for more information about LEDs.

	Power
	On - Power on Blinking - Starting up

RO ② Utilizati adaptorul de alimentare inclus pentru a conecta mufa de alimentare la o priză.
Apasai butonul de **PORNIRE** pentru a activa LTE3316.
③ Verificați dacă luminile ledului sunt deja aprinse.

SK ② Pomocou dodaného sietového adaptéra pripojte napájaciu zásuvku k elektrickej zásuvke.
Stlačením tlačidla **POWER** (Zapnutie) zariadenie LTE3316 zapnete.
③ Skontrolujte, že LED indikatory už svietia.

SI ② S priloženim napajalnim vmesnikom vklopite napajalni vtič v elektricno vtičnico.
Pritisnite gumb **vkI./izk.** ("Power"), da vključite LTE3316.
Preverite, ali LED lučke že svetijo.

BG ② Използвайте приложението адаптер, за да свържете буксата за захранването към ел.контакт.
Натиснете бутон **POWER**, за да включите LTE3316.
③ Проверете дали светодиодните лампи вече са включени.

RU ② Подключите прилагаемый сетевой адаптер к разьему power (питание) и источнику питания с соответствующими параметрами.
Для включения LTE3316 нажмите кнопку питания **POWER**.
③ Проверьте включение светодиодных индикаторов.

RU ② Нажмите кнопку WPS на пять секунд для установки защищенного соединения WiFi через **WPS** между устройством LTE3316 и беспроводным клиентом. В течение 2 минут нажмите кнопку WPS на устройстве-клиенте.

2 Network Connection



Scan the QR code on the device label to see the SSID and WiFi Key on your smartphone.



Press for **5** seconds

	WLAN WPS
	Blinking (slow) - Connecting to 2.4 GHz WiFi via WPS Blinking (slow) - Connecting to 5 GHz WiFi via WPS

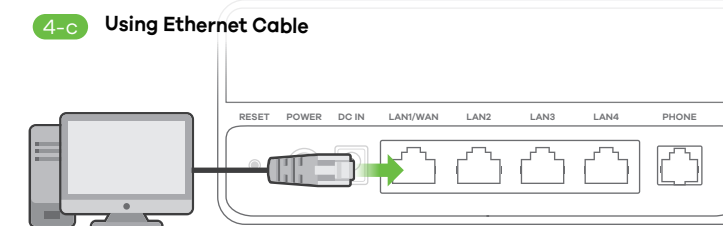
RO ④-a) Căutați denumirea WiFi (SSID) și introduceți parola WiFi.
④-b) Pentru a iniția WPS în vederea setării unei conexiuni WiFi securizate între dispozitivul LTE3316 și un client wireless, apăsați pe butonul **WPS** timp de peste cinci secunde. Apăsatați pe butonul WPS de pe client timp de 2 minute.

SK ④-a) Nájdite názov siete WiFi (identifikátor SSID) a zadajte heslo pre sieť WiFi.
④-b) Ak chcete spustiť WPS a nastaviť zabezpečené pripojenie WiFi medzi zariadením LTE3316 a bezdrôtovým klientom, stlačte tlačidlo **WPS** a podržte ho dlhšie ako päť sekúnd. Do dvoch minút stlačte na klientskom zariadení tlačidlo WPS.

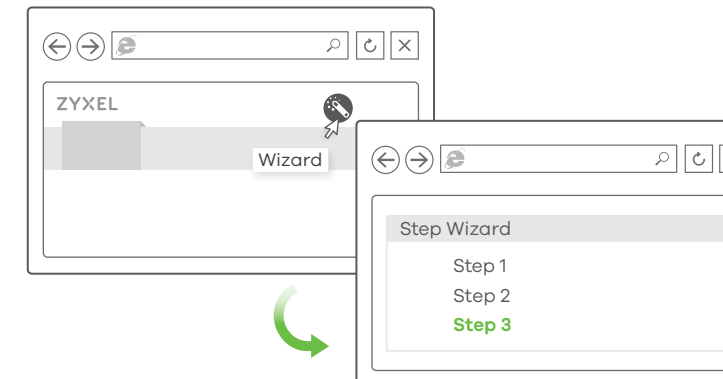
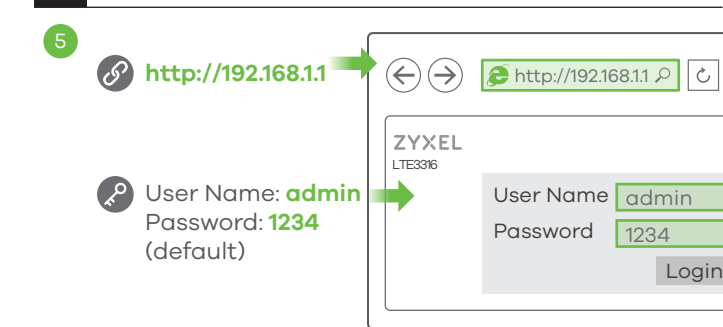
SI ④-a) Poiščite ime WiFi (SSID) in vtipkajte geslo za WiFi.
④-b) Za zagon WPS in vzpostavitev varne povezave Wi-Fi med LTE3316 in brezžičnim odjemalcem, držite pritisnjen gumb **WPS** za več kot pet sekund. V roku 2 minut pritisnite na gumb WPS na odjemalcu.

BG ④-a) Намерете името на WiFi (SSID) и въведете WiFi паролата.
④-b) За да иницириате WPS за настройка на сигурна WiFi връзка между LTE3316 и безжичен клиент, натиснете бутона **WPS** за повече от пет секунди. Натиснете бутона WPS на клиента в рамките на 2 минути.

RU ④-a) Найдите название сети WiFi (SSID) и введите пароль для доступа в сеть WiFi.
④-b) Нажмите кнопку WPS на пять секунд для установки защищенного соединения WiFi через **WPS** между устройством LTE3316 и беспроводным клиентом. В течение 2 минут нажмите кнопку WPS на устройстве-клиенте.



3 Configure LTE3316



RO ④-c) Utilizați un cablu Ethernet pentru a conecta un computer la un port LAN galben al dispozitivului LTE3316.
⑤ Conectați-vă computerul sau notebook-ul la dispozitivul LTE3316, cu ajutorul unui cablu Ethernet. Deschideți navigatorul web din computerul dvs. și introduceți adresa IP implicită de management (192.168.1.1). Introduceți numele de utilizator **admin** și parola **1234**, apoi faceți clic pe **Login** (Autentificare). Va fi afișat ecranul principal. Faceți clic pe pictograma Wizard (Asistent), pentru a schimba setările WiFi implicite din **Step 3** set up (Setare pasul al 2-lea) WiFi. Pripoțiți počítač k jednému žitému portu LAN zariadenia LTE3316.

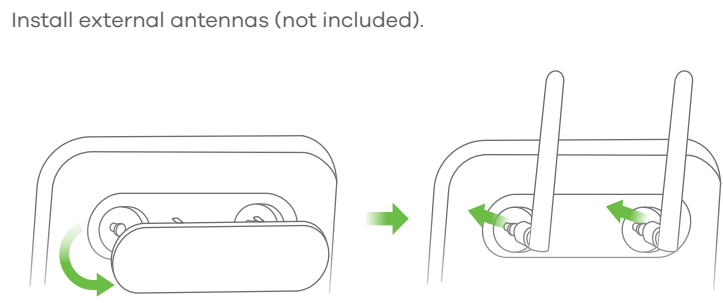
SK ④-c) Ethernetovým káblom pripojte počítač alebo notebook k prístroju LTE3316. Pomocou počítača spustite webový prehliadač a zadajte predvolenú IP adresu správy (192.168.1.1). Zadajte užívateľské meno, **admin** a heslo **1234**. Potom kliknite na tlačidlo **Prihlásiť**. Objaví sa domovská obrazovka. Ak chcete v **kroku 3** Nastavenie WiFi zmeniť predvolené nastavenie WiFi, kliknete na ikonu Sprievodca. Pripojte počítač k jednému žitému portu LAN zariadenia LTE3316.

SI ④-c) Računalnik ali prenosnik povežite na LTE3316 z uporabo ethernetnega kabla. Na računalniku odprite spletni brskalnik in vnesite privzeti naslov IP za upravljanje (192.168.1.1). Vnesite uporabniško ime "**admin**" in geslo "**1234**" ter kliknite **Login** (Prijava). Prikaže se začetni zaslon. Kliknite ikono za čarovnika da spremenite privzete nastavitve Wi-Fi v **koraku 3**: "Set Up Wi-Fi" (Nastavitev Wi-Fi).

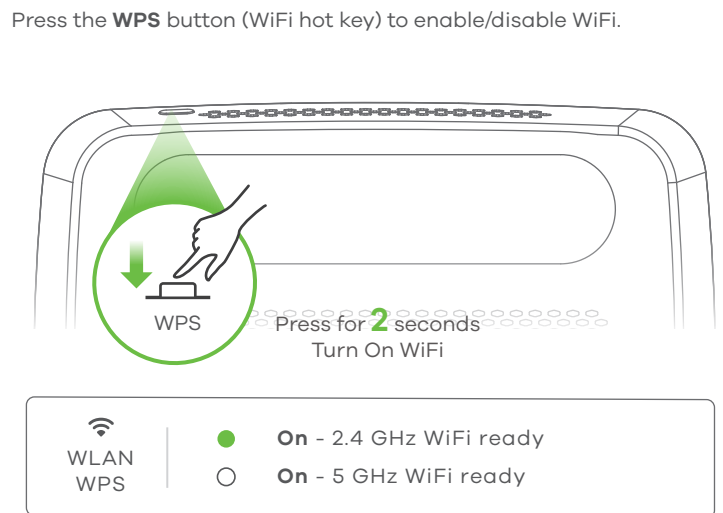
BG ④-c) Използвайте Ethernet кабел, за да свържете компютър към един жълт LAN порт на LTE3316.
⑤ Свържете Вашия компютър или ноутбук към LTE3316 с помощта на Ethernet кабел. Отворете уеб браузъра от Вашия компютър и въведете IP адреса за управление по подразбиране (192.168.1.1). Въведете потребителското име **admin** и парола **1234**, след което щракнете върху **Login** (Вписване). Ще се изведе началният екран. Щракнете върху иконата Wizard (Съветник), за да промените настройките по подразбиране за WiFi в **Step 3** set up WiFi (Настройка на WiFi).

RU ④-c) С помощью кабеля Ethernet подключите компьютер к желтому порту локальной сети на устройстве LTE3316.
⑤ Подключите компьютер к LTE3316 с помощью кабеля Ethernet. Откройте веб-браузер на вашем компьютере и введите базовый IP-адрес управления (192.168.1.1). Введите имя пользователя (**admin**) и пароль (**1234**), и нажмите **Login** (Вход). Появится экран Home (Дом). Нажмите значок Wizard (Мастер) и измените базовые настройки WiFi в шаге 3 «set up WiFi» (Настройка WiFi).

Accessories (Optional)



Turning On/Off WiFi (Optional)



Troubleshooting

Power and Hardware Connections
- Make sure the SIM card is correctly installed in the LTE3316.
- Make sure the power jack is connected correctly.

LTE3316 Access and Login
- Make sure you are using the correct IP address.
• The default IP address is 192.168.1.1.
• If you changed the IP address and have forgotten it, you have to reset the device to its factory defaults. To do so, press the **RESET** button for more than five seconds.
- Make sure your Internet browser does not block pop-up windows and has JavaScript enabled.

- Make sure you have entered the username and password correctly. The default password is 1234. If this does not work, you have to reset the device to its factory defaults. To do so, press the **RESET** button for more than five seconds.

Internet Access
- Make sure you insert an LTE SIM card into the card slot before turning on the LTE3316.
- Log into the web configurator (admin, 1234 are the default username and password).
Click **Setup Wizard**, then check the setting in **Step 2 WAN Setup**.

- Make sure your LTE SIM card's account is valid and has an active data plan.
- If you are using a pre-paid SIM card, insert the SIM card on another LTE device to check if the SIM card still works. If the SIM card works without any problems on another LTE device, contact the vendor. If the SIM card doesn't work, contact your service provider.

WiFi Connections
- Make sure the wireless LAN is enabled on the LTE3316.
- Make sure the wireless adapter (installed on your computer) is working properly.

3G/LTE Connections
- Make sure your SIM card's account is valid and has an active data plan.
- Install the 3G/LTE external antennas to strengthen the cellular signal.

	Internet		On - IP connection ready but no traffic Blinking - Transmitting IP traffic
	LTE		On - 4G network ready Blinking (slow) - 3G network ready On - Ethernet WAN connection ready
	Signal Strength		On - Good On - Fair On - Poor Blinking (slow) - No signal
	WLAN WPS		Blinking (fast) - Transmitting data via 2.4 GHz WiFi Blinking (fast) - Transmitting data via 5 GHz WiFi
	Voice		On - Telephone off of the hook Blinking - Incoming call Off - Telephone on the hook

			Blinking (fast) - Firmware upgrade
			Blinking - Reset

	LAN		On - 1000 Mbps LAN connection ready Blinking - Transmitting data at 1000 Mbps 	On - 10/100 Mbps LAN connection ready Blinking - Transmitting data at 10/100 Mbps
--	-----	--	--	--

*Slow: the LED blinks once per second.
Fast: the LED blinks once per 0.5 second.

See the User's Guide at www.zyxel.com for more information, including customer support and safety warnings.

EU Importer
Zyxel Communications A/S
Gladsaxevej 378, 2. th. 2860 Søborg, Denmark
<http://www.zyxel.dk>

US Importer
Zyxel Communications, Inc
1130 North Miller Street Anaheim, CA 92806-2001
<http://www.us.zyxel.com>

Copyright © 2018 Zyxel Communications Corp. All Rights Reserved.