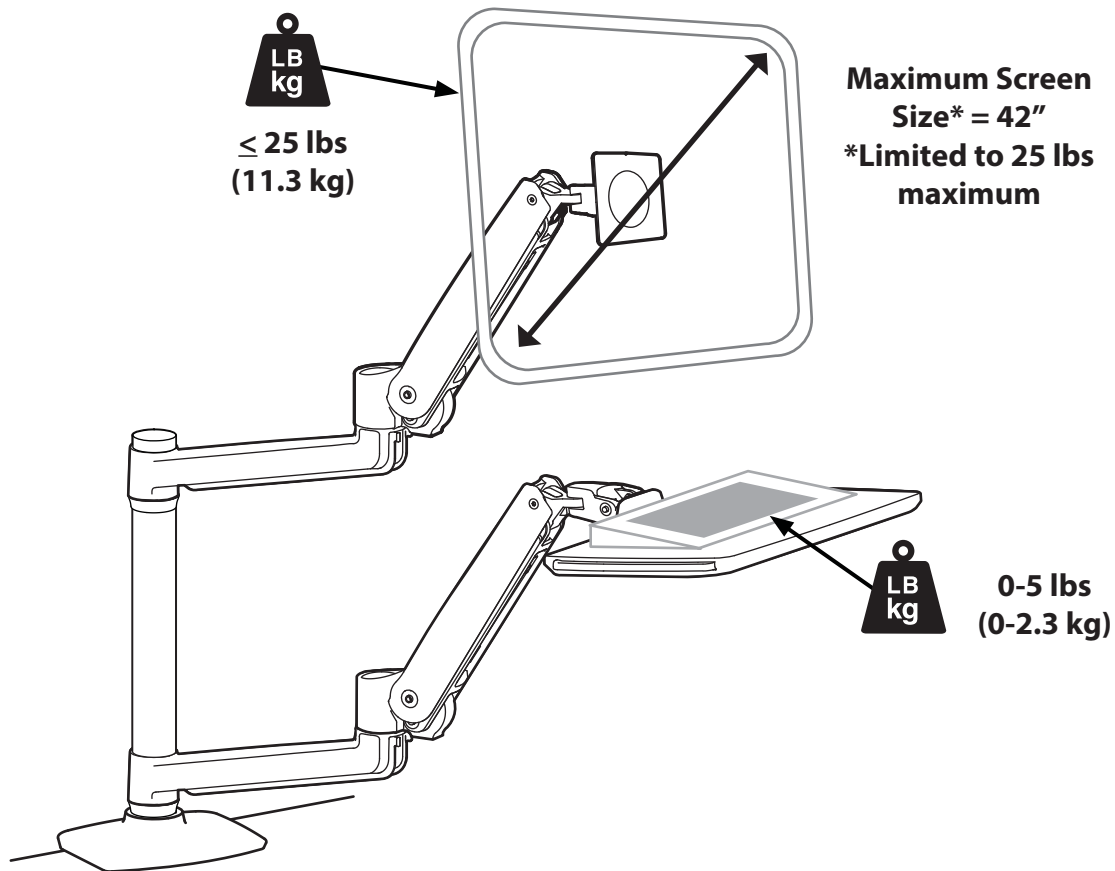


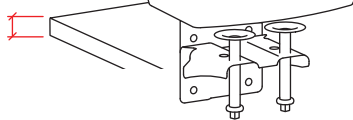
# ergotron®

## WorkFit™ LX Sit Stand Desk Mount System



### CLAMP

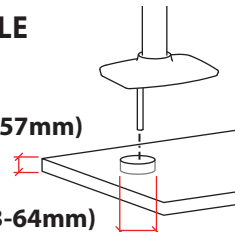
0.78"-2.56"  
(20-65mm)



### GROMMET HOLE

0.78"-2.25" (20-57mm)

0.5"-2.5" (13-64mm)



English

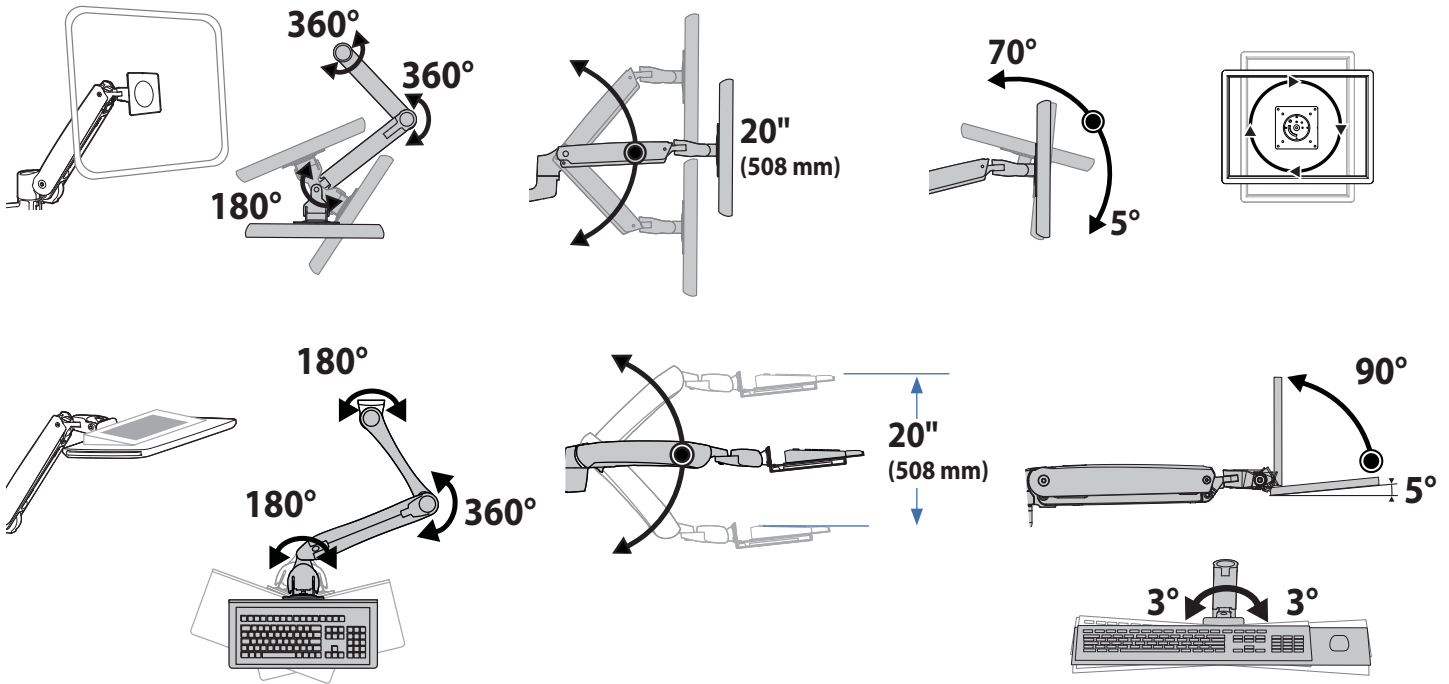


For the latest User Installation Guide please visit: [www.ergotron.com](http://www.ergotron.com)

English, Español, Français, Deutsch, Nederlands, Italiano, Svenska, 日本語, 汉语

[www.ergotron.com](http://www.ergotron.com) | USA: 1-800-888-8458 | Europe: +31 (0)33-45 45 600 | China: 400-120-3051 | Japan: [japansupport@ergotron.com](mailto:japansupport@ergotron.com)

# Features & Specifications



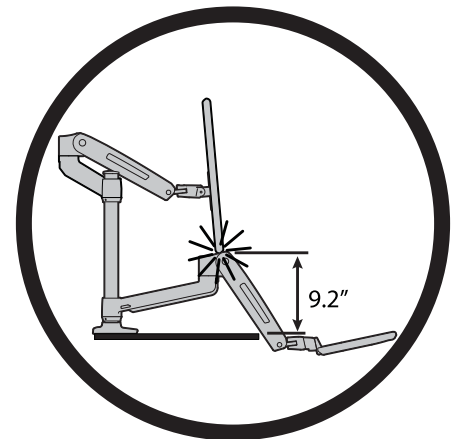
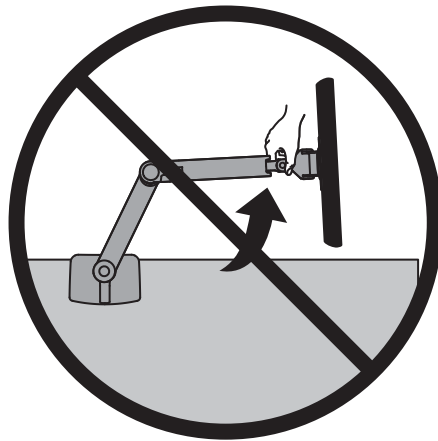
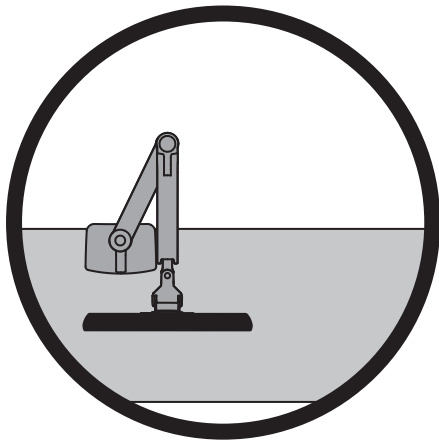
## Safety



**CAUTION: DO NOT** rotate monitor past rear edge of desk. Doing so will create an unstable situation and may cause equipment damage or personal injury.



**CAUTION: Monitor may** hit Keyboard arm in some configurations. Use caution when moving your monitor and keyboard arms.



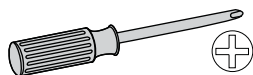
Important! You will need to adjust this product after installation is complete. Make sure all your equipment is properly installed on the product before attempting adjustments. This product should move smoothly and easily through the full range of motion and stay where you set it. If movements are too easy or difficult or if product does not stay in desired positions, follow the adjustment instructions to create smooth and easy movements. Depending on your product and the adjustment, it may take many turns to notice a difference. Any time equipment is added or removed from this product, resulting in a change in the weight of the mounted load, you should repeat these adjustment steps to ensure safe and optimum operation.

# Components



	A	B	C	D
1	<p>1x</p>	<p>1x</p>	<p>1x</p>	<p>4x M4 x 12mm</p>
2		<p>2x</p>		<p>4x M5 x 12mm</p>
3		<p>1x</p>		<p>1x 1x</p>
4	<p>1x</p> <p>1x</p> <p>2x</p>	<p>4x</p>	<p>1x 1x 1x</p> <p>1x</p>	<p>1x M3 x 6mm</p>
		<p>4x</p>		<p>4x M4 x 10mm</p>
5	<p>2x</p> <p>2x M6</p> <p>2x M6 x 45mm</p>	<p>2x</p>	<p>4x</p>	<p>4x M4 x 10mm</p>
		<p>6x</p>		<p>4x M5 x 7mm</p>
6	<p>1x 4mm</p>	<p>1x 5mm</p>	<p>1x 8mm 1/4"</p>	<p>4x M5 x 20mm</p>
			<p>1x</p>	<p>4x M8M5 Converter</p>
				<p>4x M4 x 8mm</p>
				<p>2x M4 x 14mm</p>

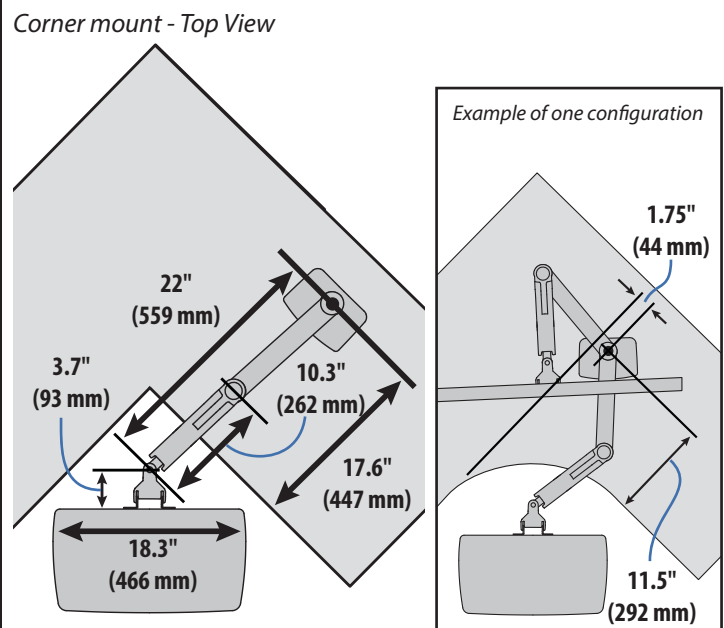
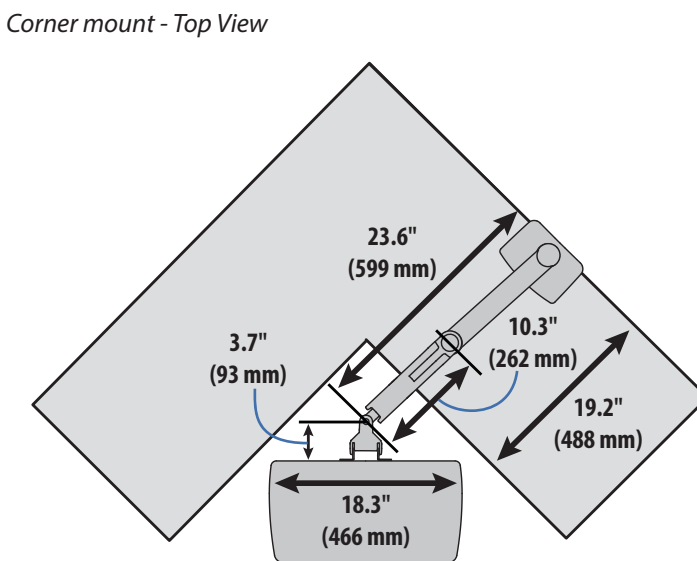
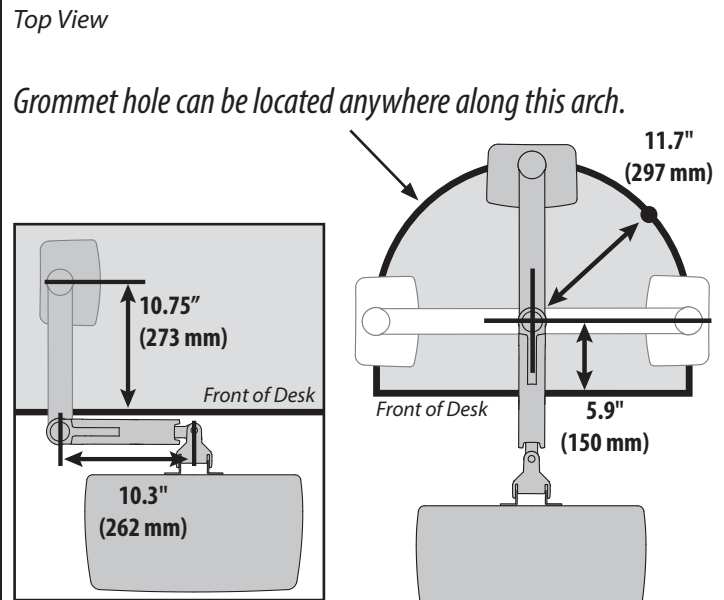
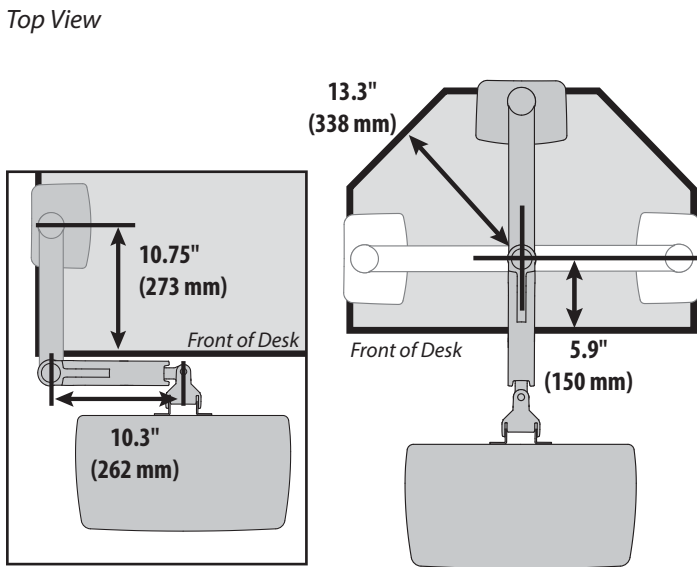
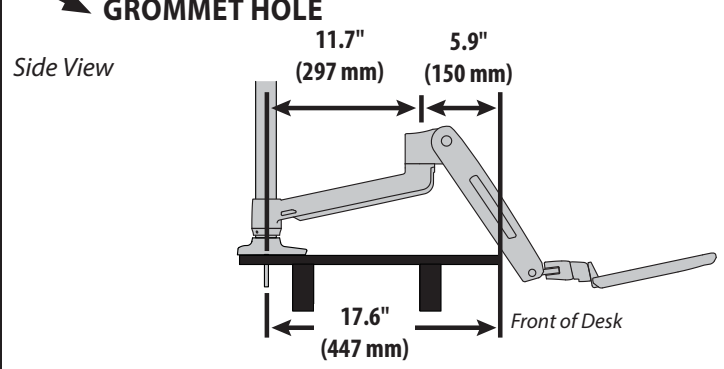
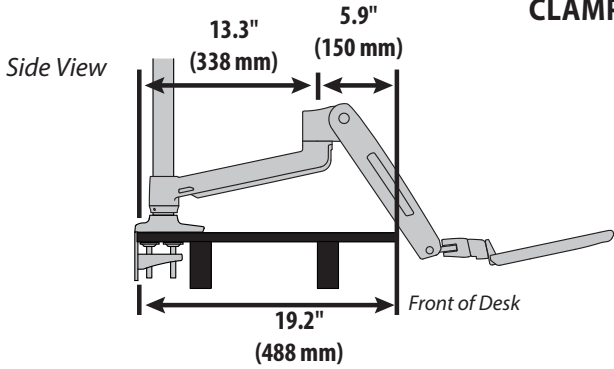
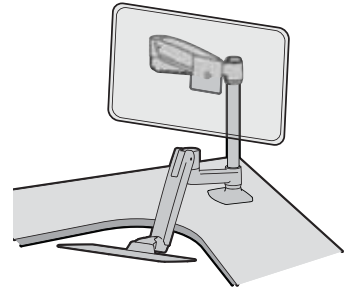
# Tools Needed



# 1 Desk Placement

Maximum dimensions to allow keyboard arm to lower below front of desk.

**CAUTION:** Base must be completely on desk surface. Failure to follow these instructions may result in equipment damage or personal injury.



# 2

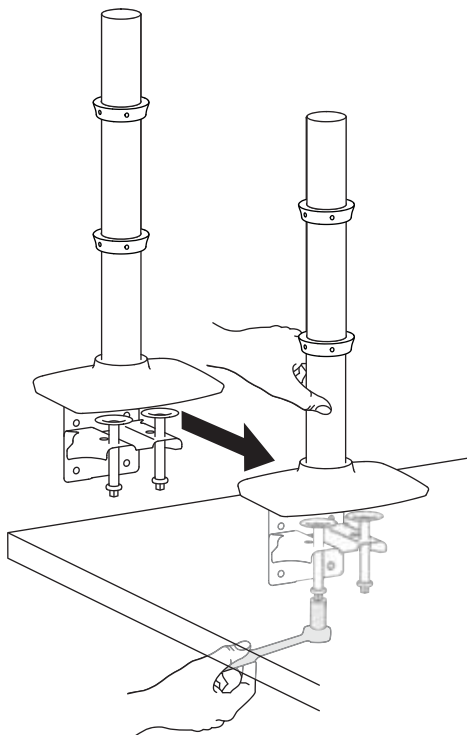
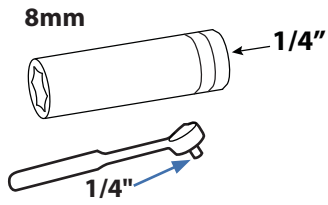
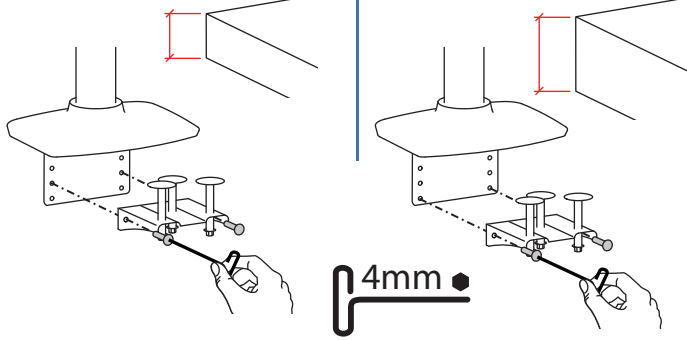
CLAMP

GROMMET HOLE

DESK THICKNESS

0.78"-1.38" (20-35mm)

1.18"-2.56" (30-65mm)

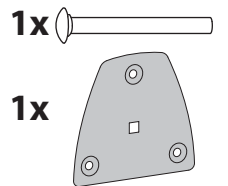
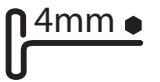
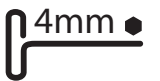
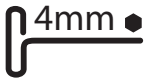


a

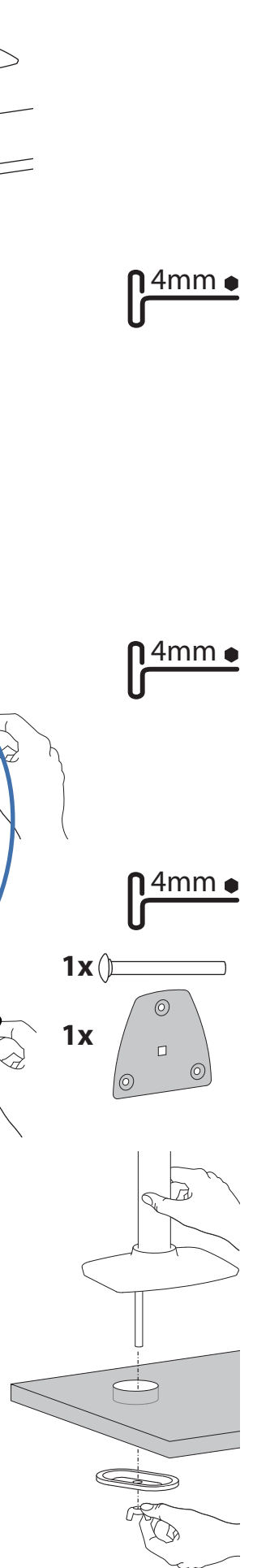
b

c

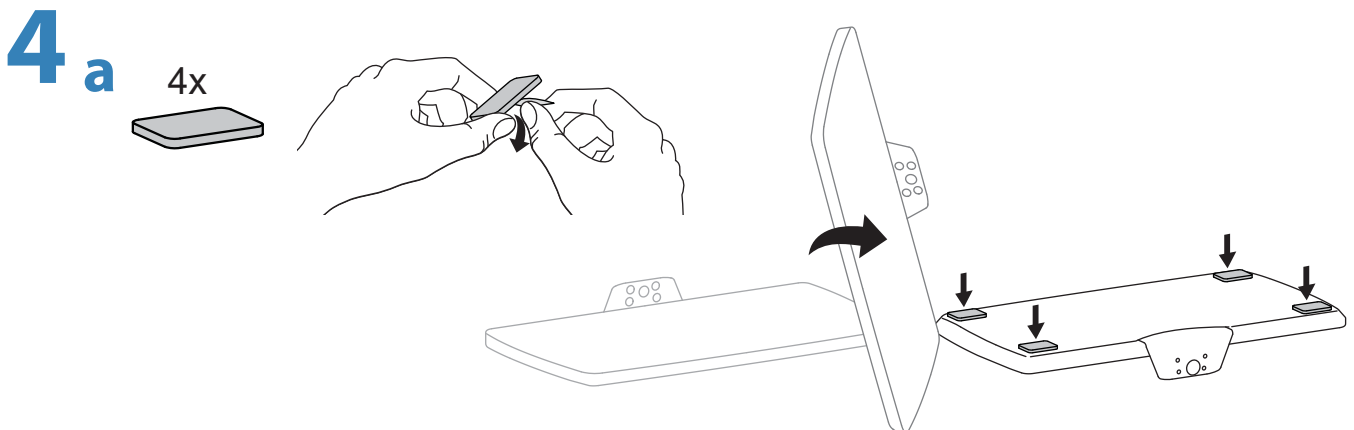
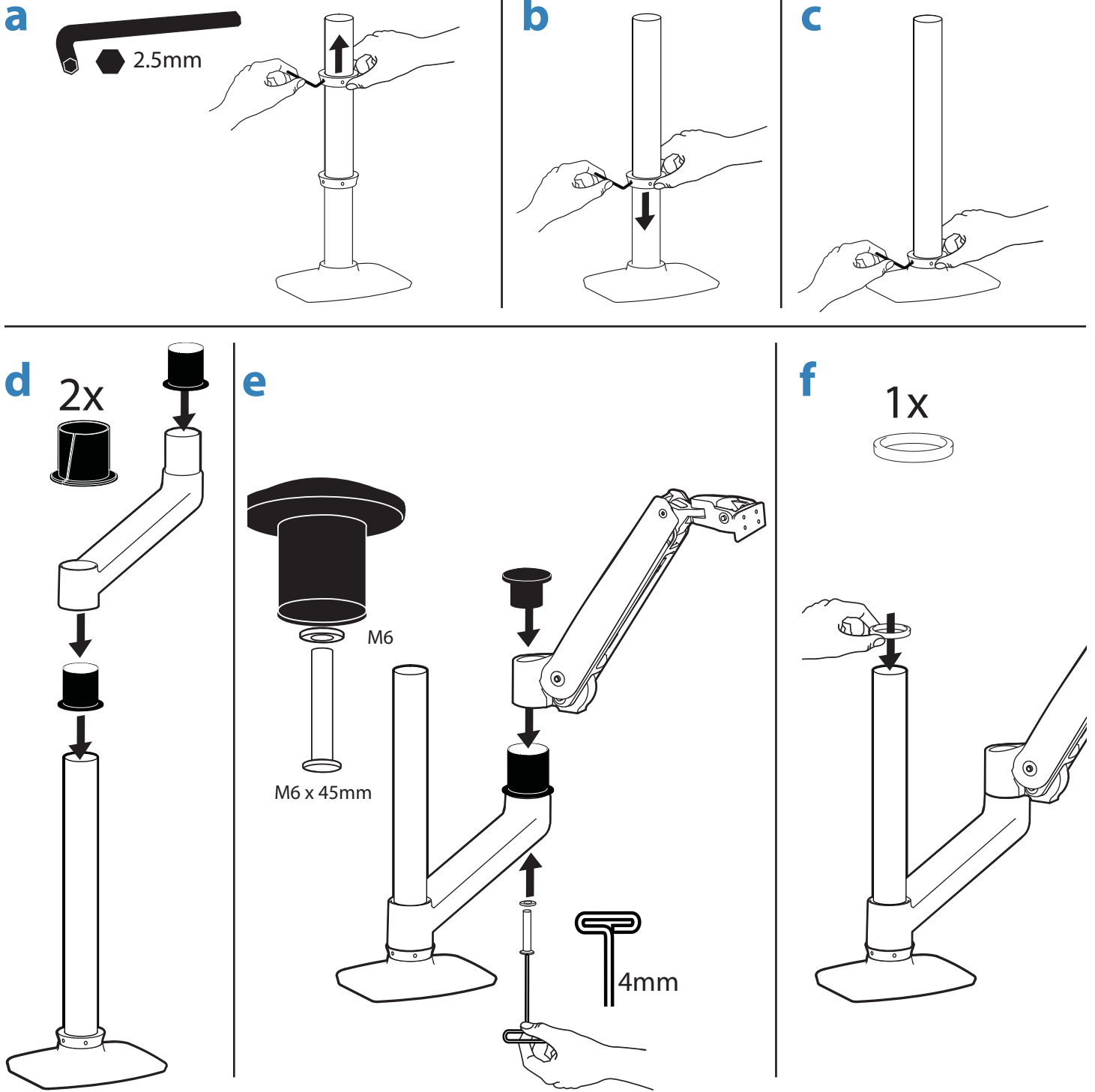
d



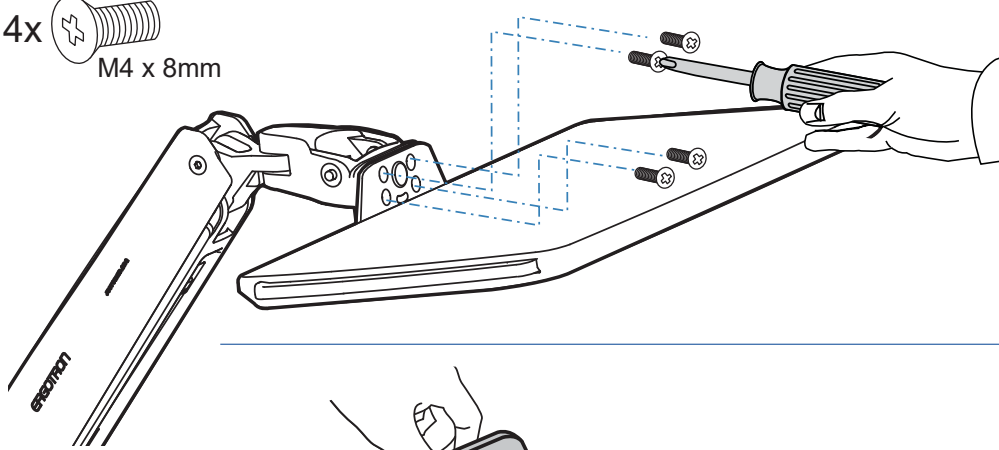
**!** CAUTION: Bolt must be centered in hole.



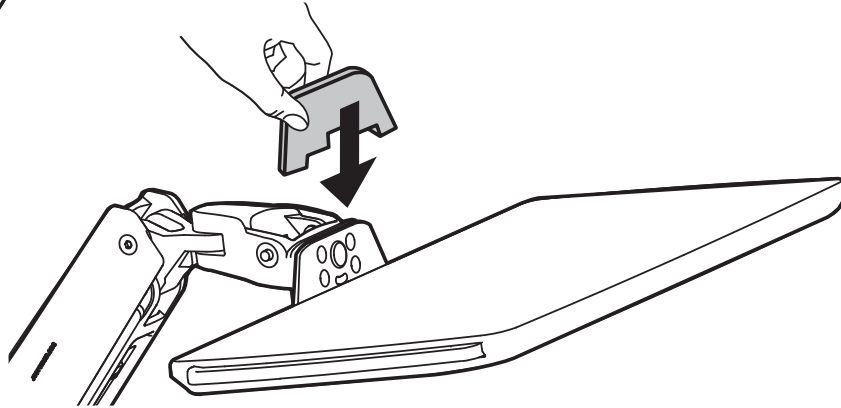
### 3 Mount extension and arm to pole.



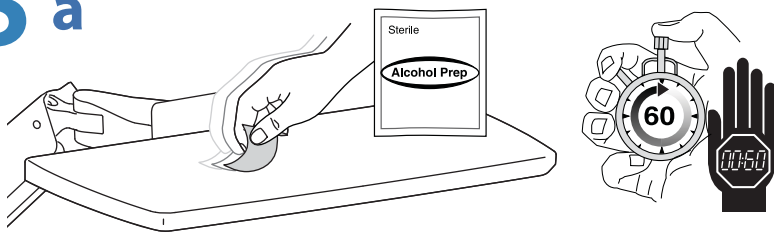
**b** 4x  M4 x 8mm



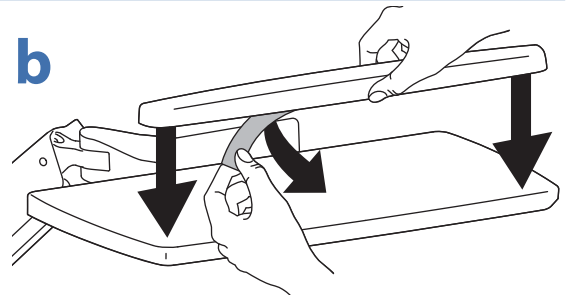
**c**



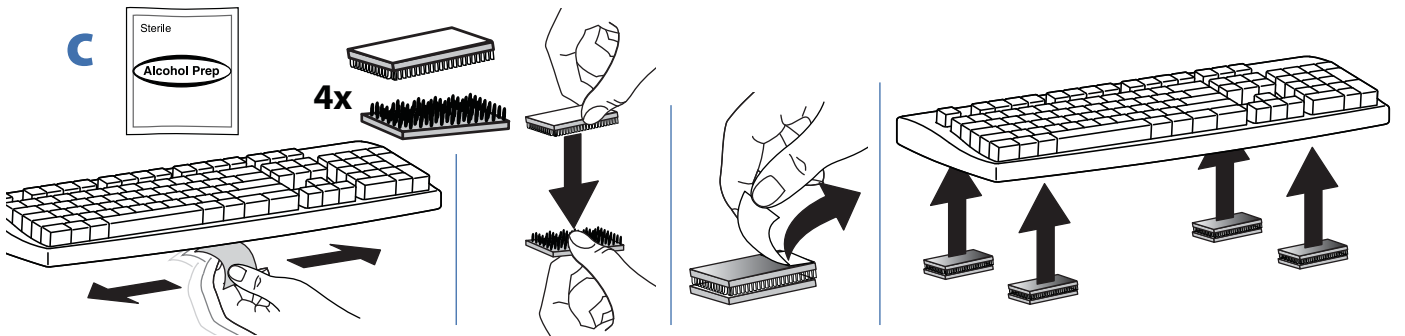
**5 a**



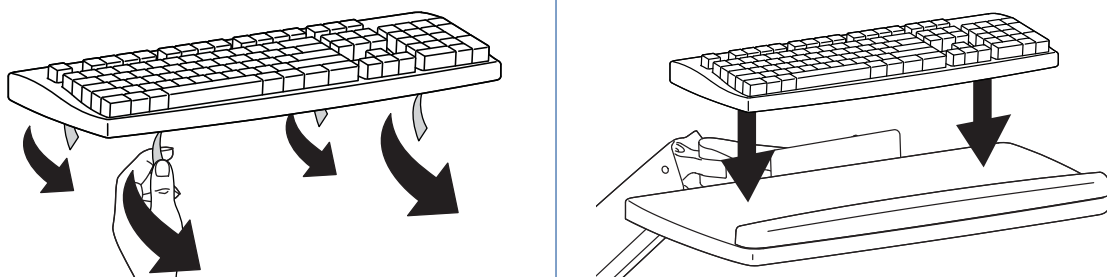
**b**



**c**



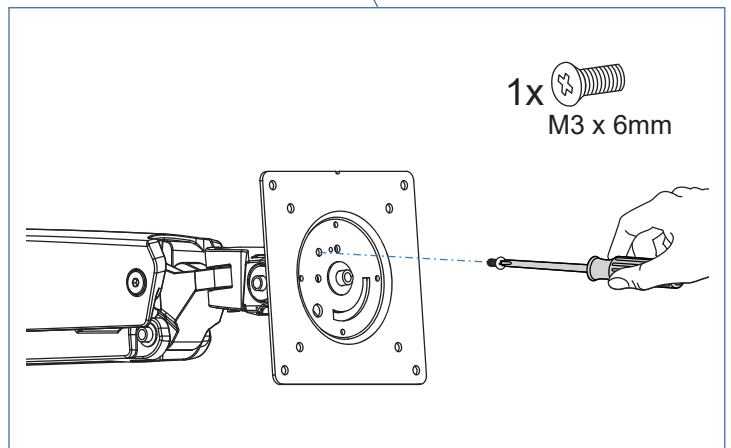
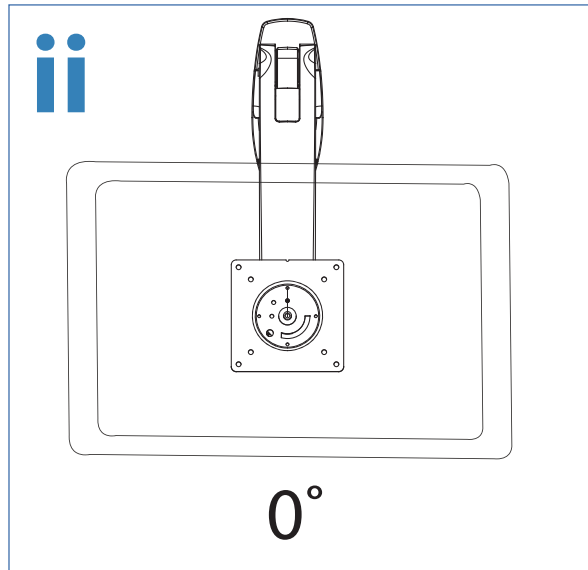
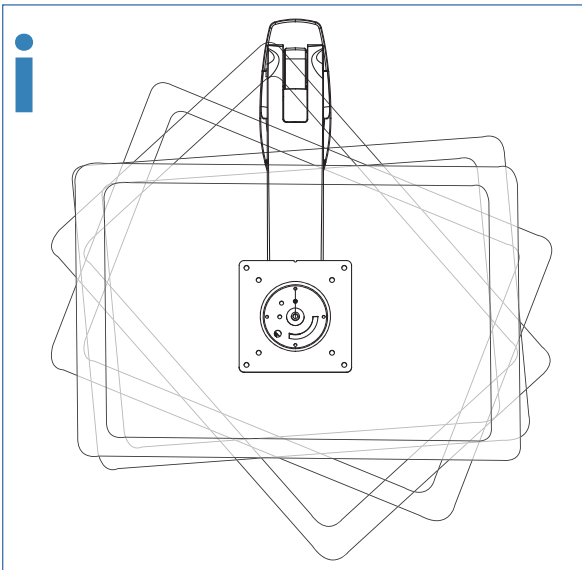
**d**



# 6 Portrait / Landscape Options

OPTION i If you want full portrait/landscape rotation, skip to step 8 on the next page.

OPTION ii If you do not want your TV/Monitor to rotate all all, you can stop rotation by inseting the set screw.





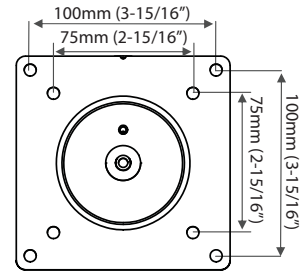
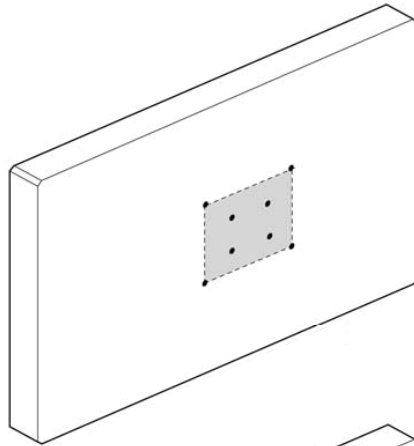
# 7

## Check size of TV/Monitor hole pattern

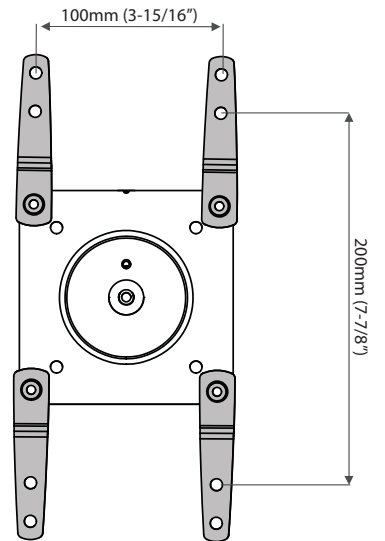
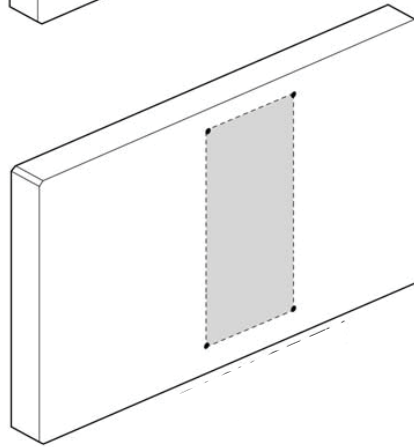
### TV/Monitor Hole Pattern Sizes

### VESA Adapter Configurations

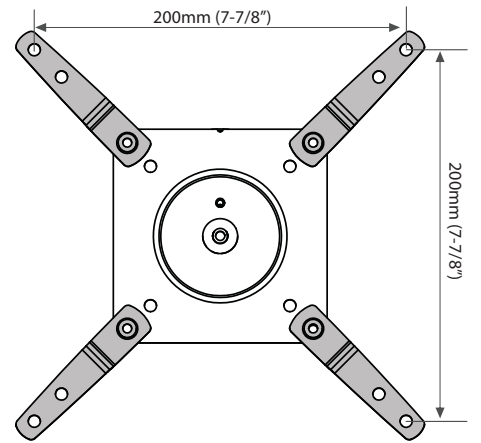
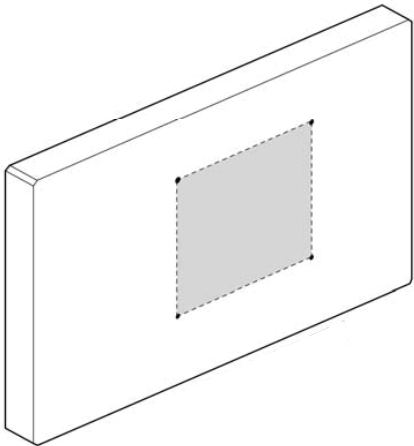
**A** 75x75mm  
100x100mm



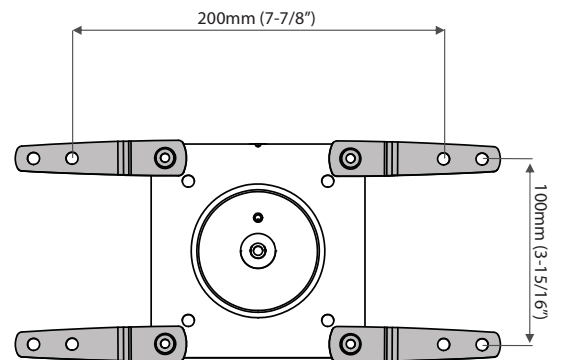
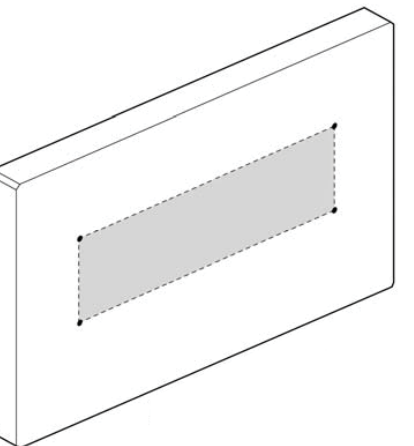
**B** 100x200mm



**C** 200x200mm



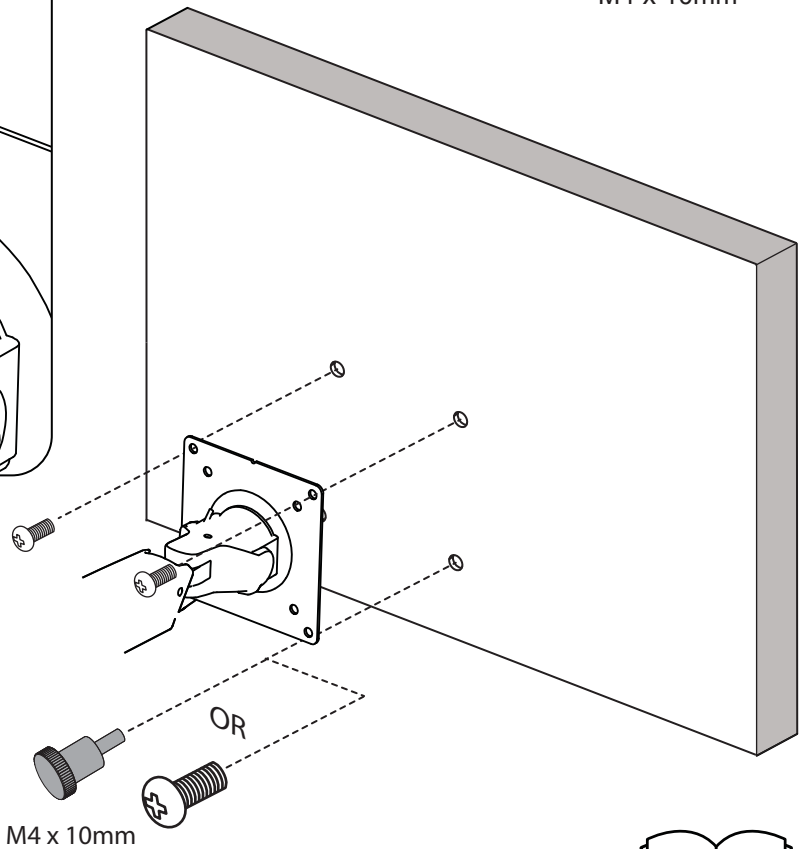
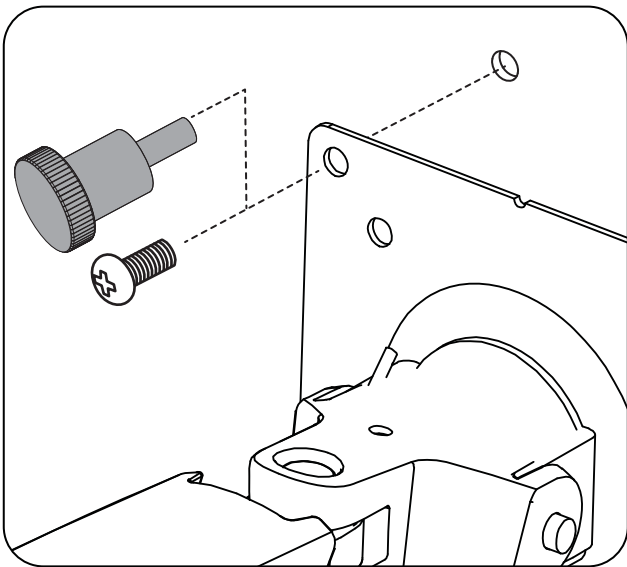
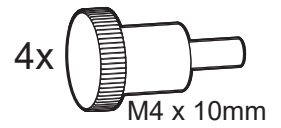
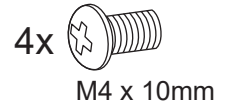
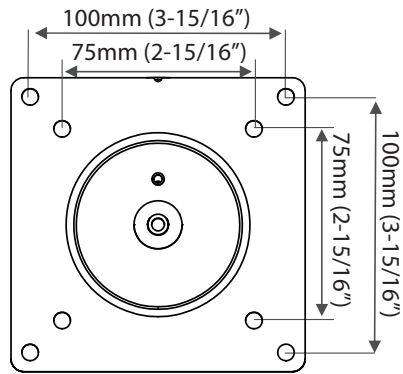
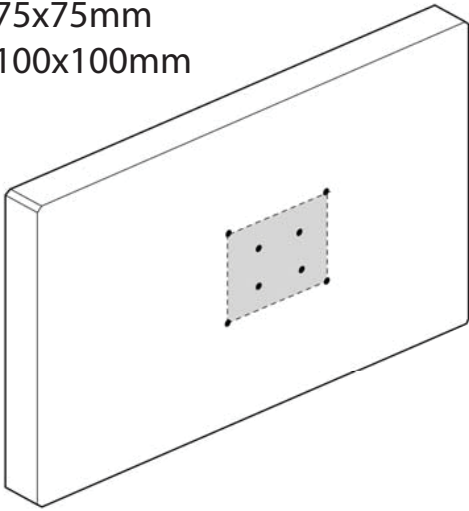
**D** 200x100mm

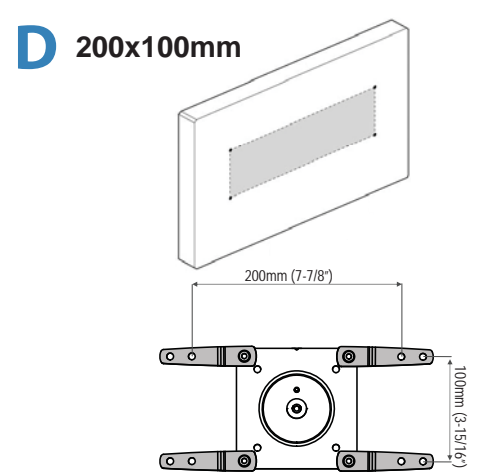
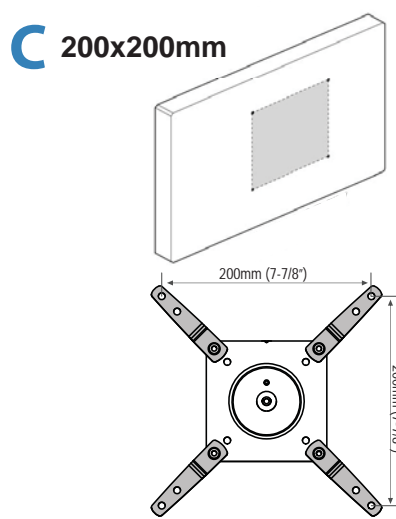
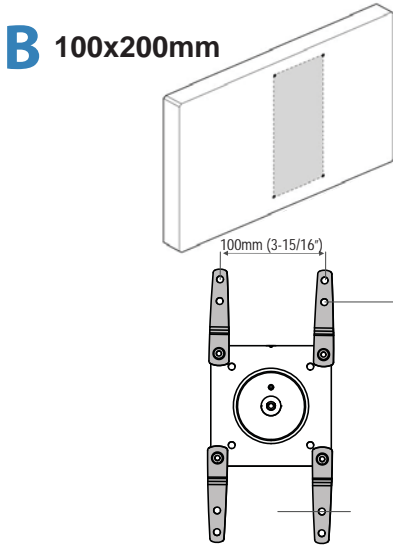


# 7 Mount Type A TV/Monitor to Arm

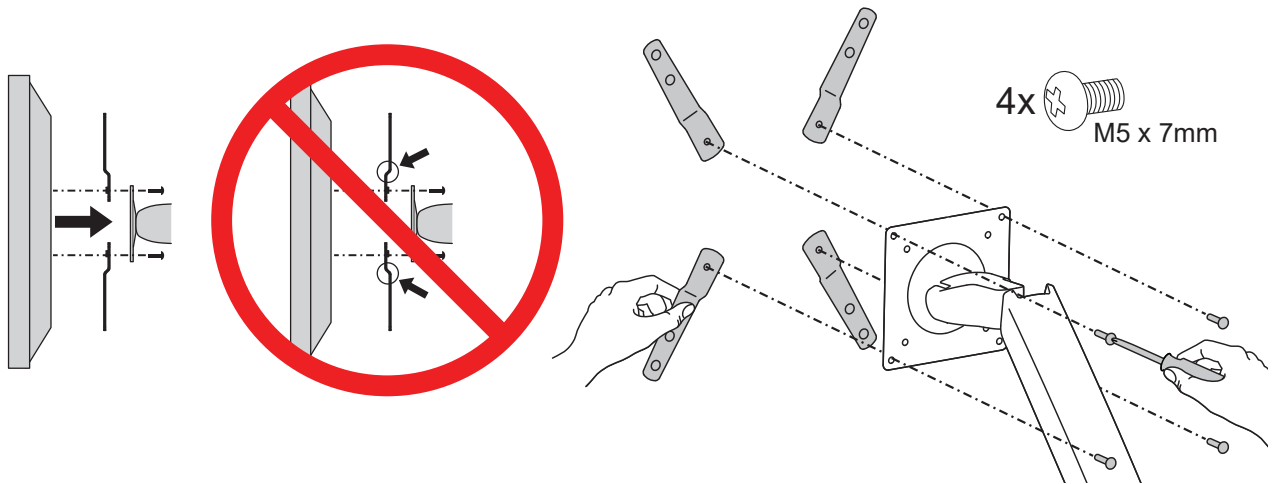
## A

75x75mm  
100x100mm



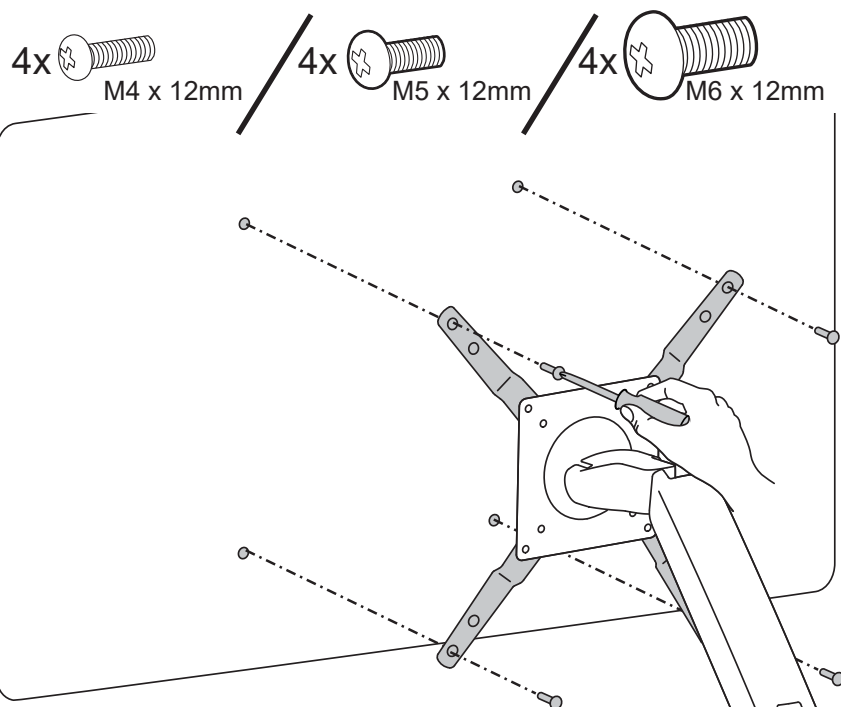


**7a** Mount VESA Adapters to Arm based on TV/Monitor hole pattern size (B, C, or D) .



**7b** Mount Type B, C, or D TV/Monitor to Arm

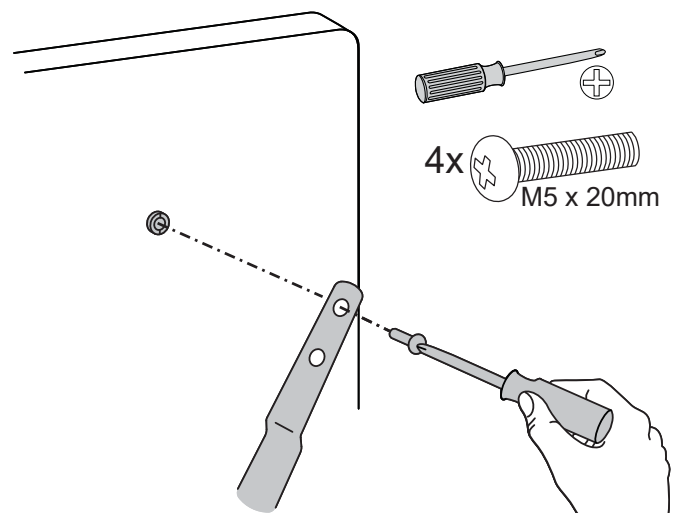
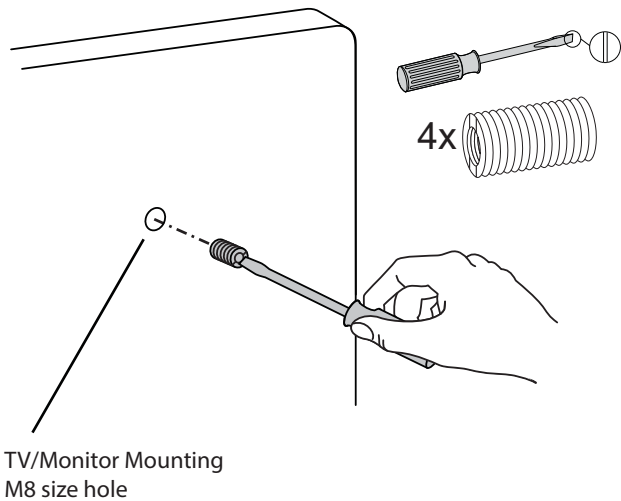
**NOTE:** To reduce M8 holes for use with M5 screws, or if you have a model with Samsung holder rings, follow the **M8M5 KIT** instructions on the next page.



# M8M5 KIT Instructions

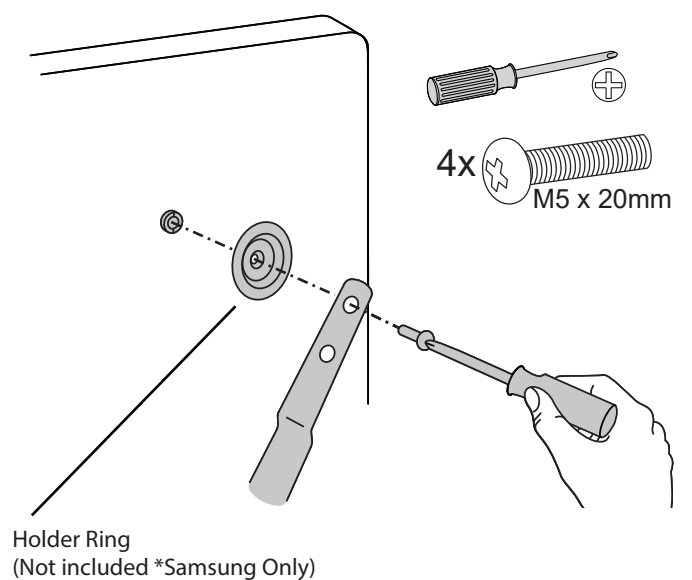
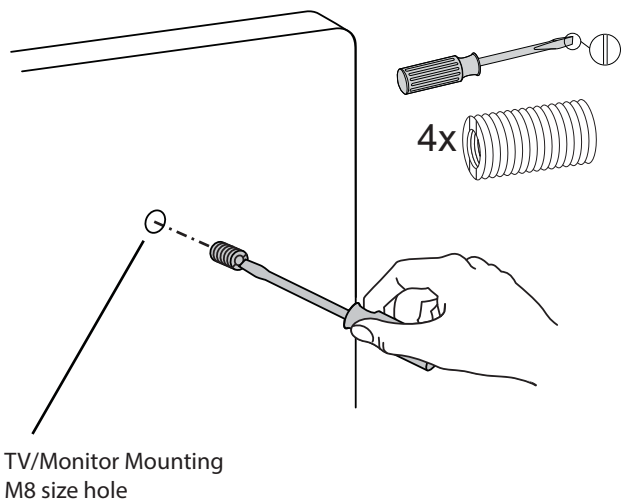
NOTE: Follow this step only if your TV/monitor has M8 holes which need to be reduced to M5.

Install M8M5 reducer bushing to TV/Monitor and use M5 x 20 mm monitor screws to secure.



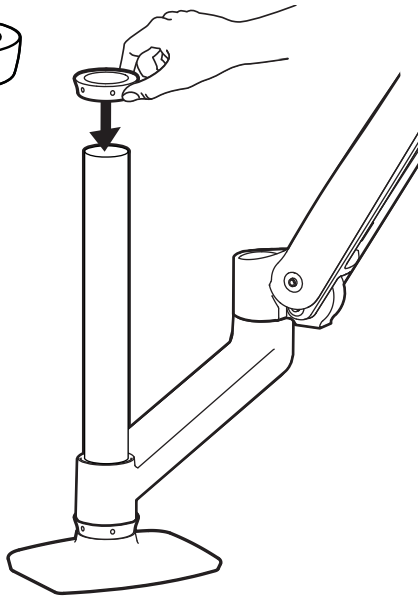
NOTE: Follow this step only for Samsung models using the holder ring.


Install M8M5 reducer bushing to TV/Monitor then use M5 x 20 mm monitor screws and Samsung holder ring to secure.



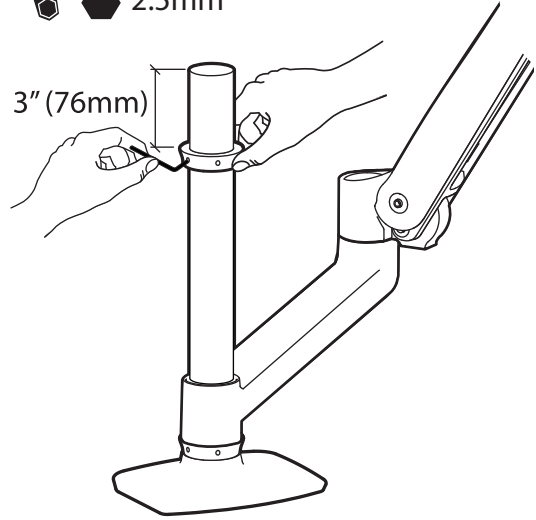
# 8 Mount extension and arm to pole.

a 1x 



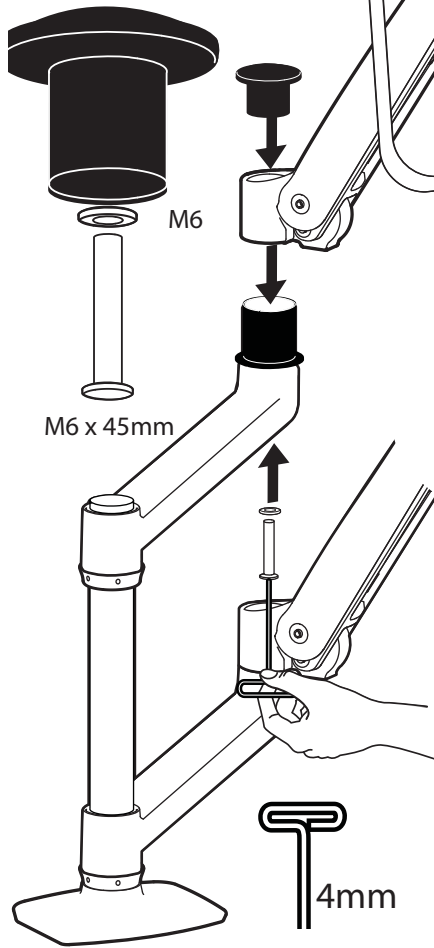
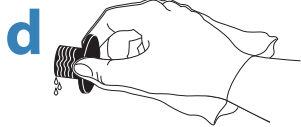
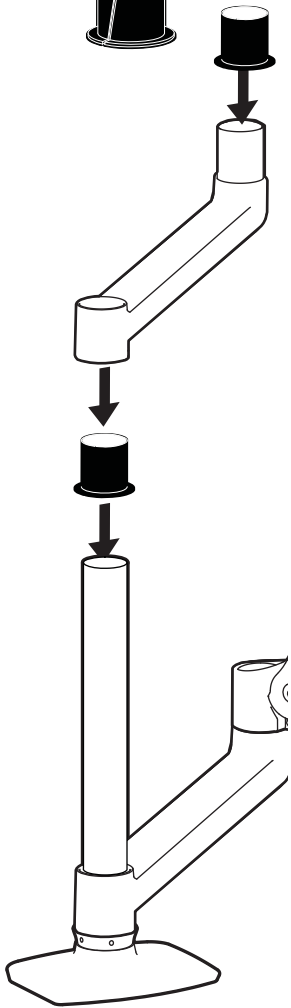
b  2.5mm


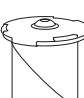
3" (76mm)

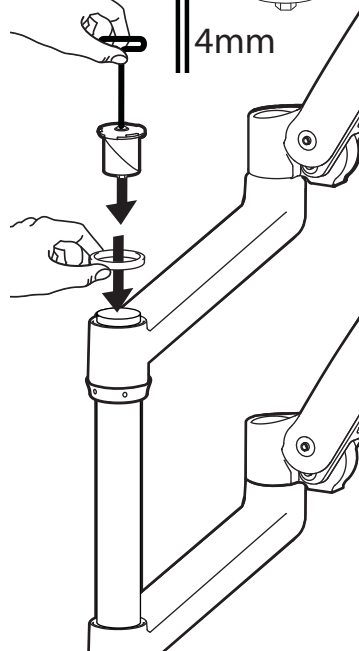



Part contains grease. Use bag to protect hands from getting greasy.

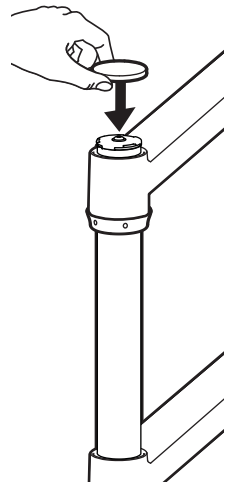
c 2x



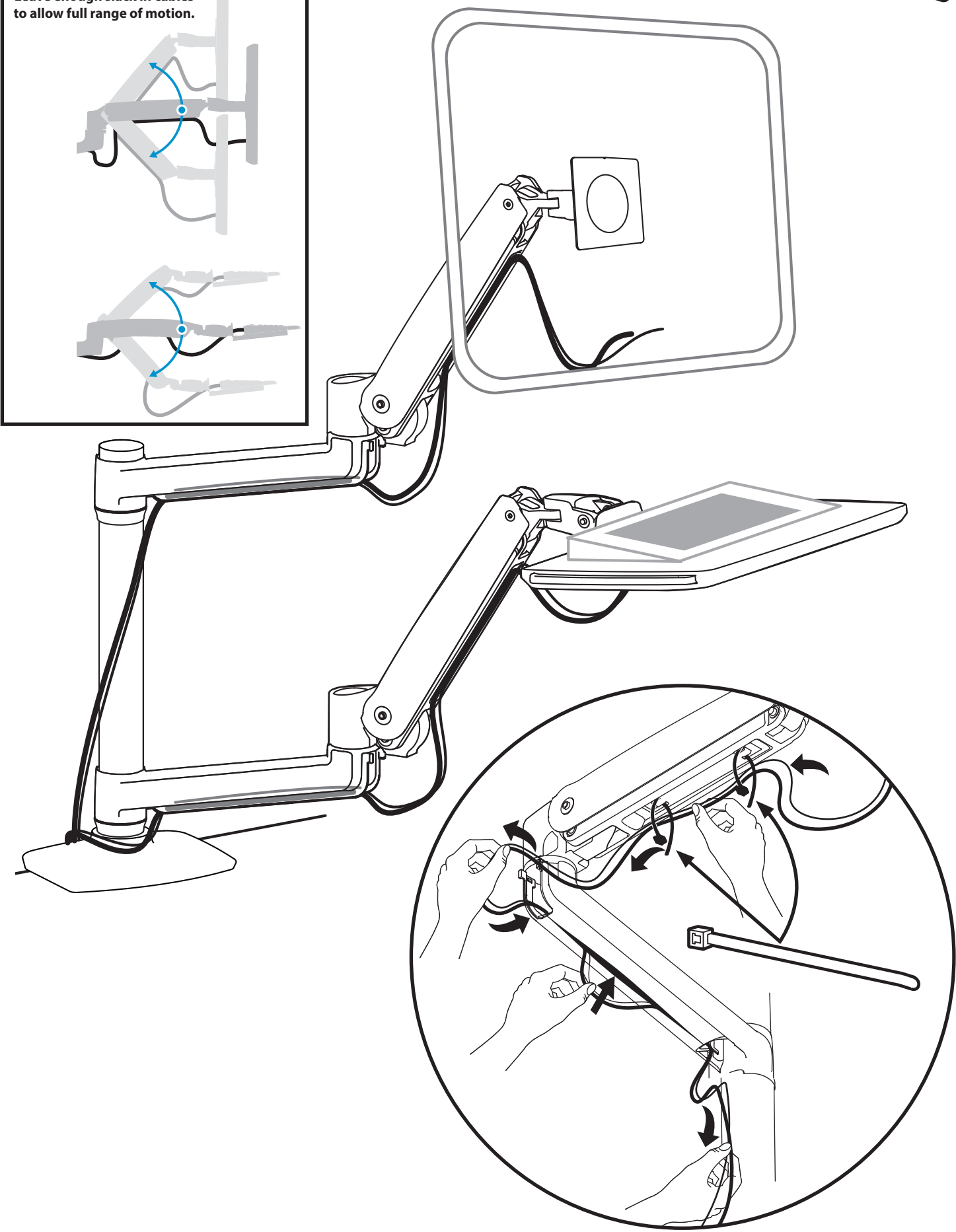
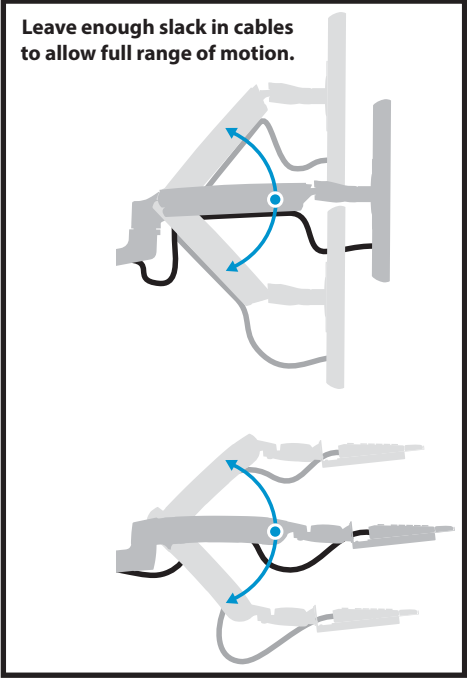
e 1x 1x   4mm



f 1x 



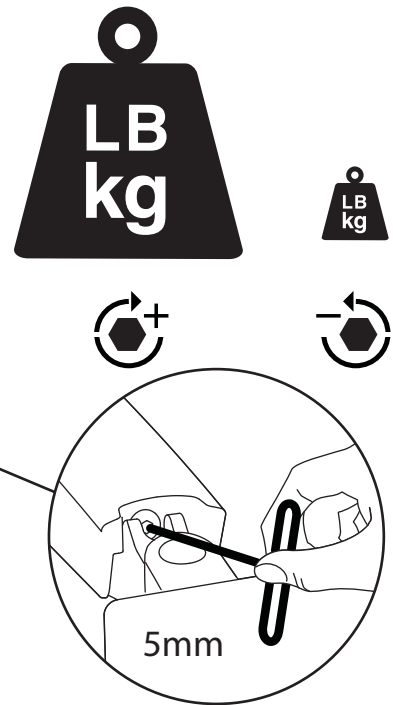
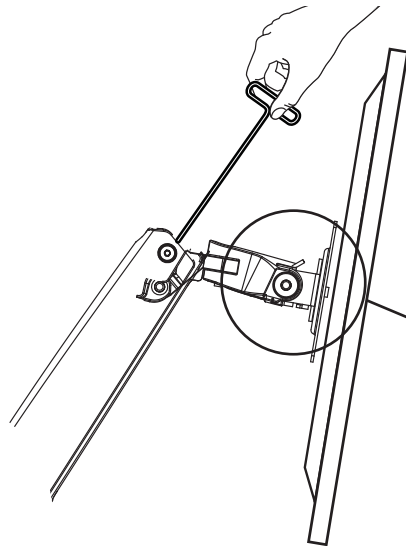
# 9 Organize and route cables



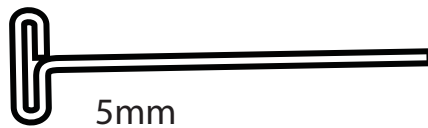
# Adjustment Step

Important! You will need to adjust this product after installation is complete. Make sure all your equipment is properly installed on the product before attempting adjustments. This product should move smoothly and easily through the full range of motion and stay where you set it. If movements are too easy or difficult or if product does not stay in desired positions, follow the adjustment instructions to create smooth and easy movements. Depending on your product and the adjustment, it may take many turns to notice a difference. Any time equipment is added or removed from this product, resulting in a change in the weight of the mounted load, you should repeat these adjustment steps to ensure safe and optimum operation.

## 10 To adjust the arm lift:



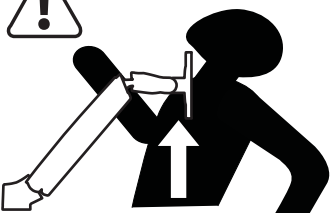
**CAUTION: DO NOT** overtighten fasteners. Overtightening may cause damage to your equipment.



**Increase Lift Strength**  
If the mounted weight is too heavy or this product does not stay up when raised, then you'll need to increase Lift Strength:

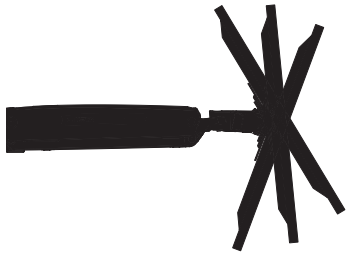


**Decrease Lift Strength**  
If the mounted weight is too light or this product does not stay down when lowered, then you'll need to decrease Lift Strength:

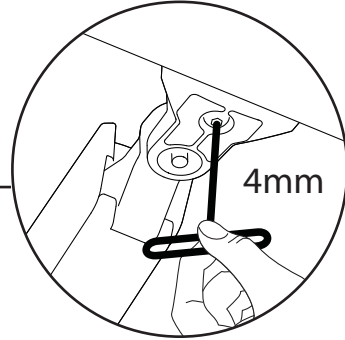
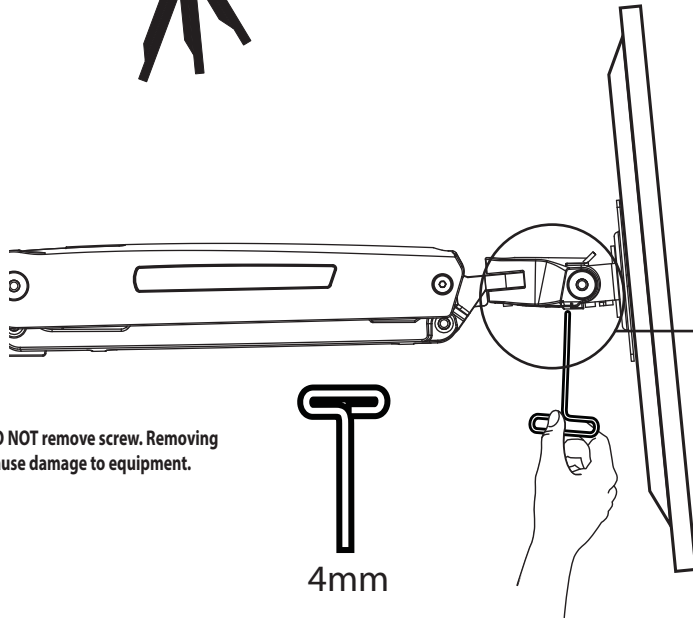
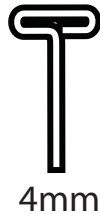


**EN** **WARNING!** Stored Energy Hazard: The Riser mechanism is under tension and will move up rapidly, on its own, as soon as attached equipment is removed. For this reason, **DO NOT** remove equipment unless the Riser has been moved to the highest position! Failure to follow this instruction may result in serious personal injury and/or equipment damage!

# 11 To adjust the TV/monitor tilt:



CAUTION: DO NOT remove screw. Removing screw may cause damage to equipment.



## Increase Lift Strength

If the mounted weight is too heavy or this product does not stay up when raised, then you'll need to increase Lift Strength:

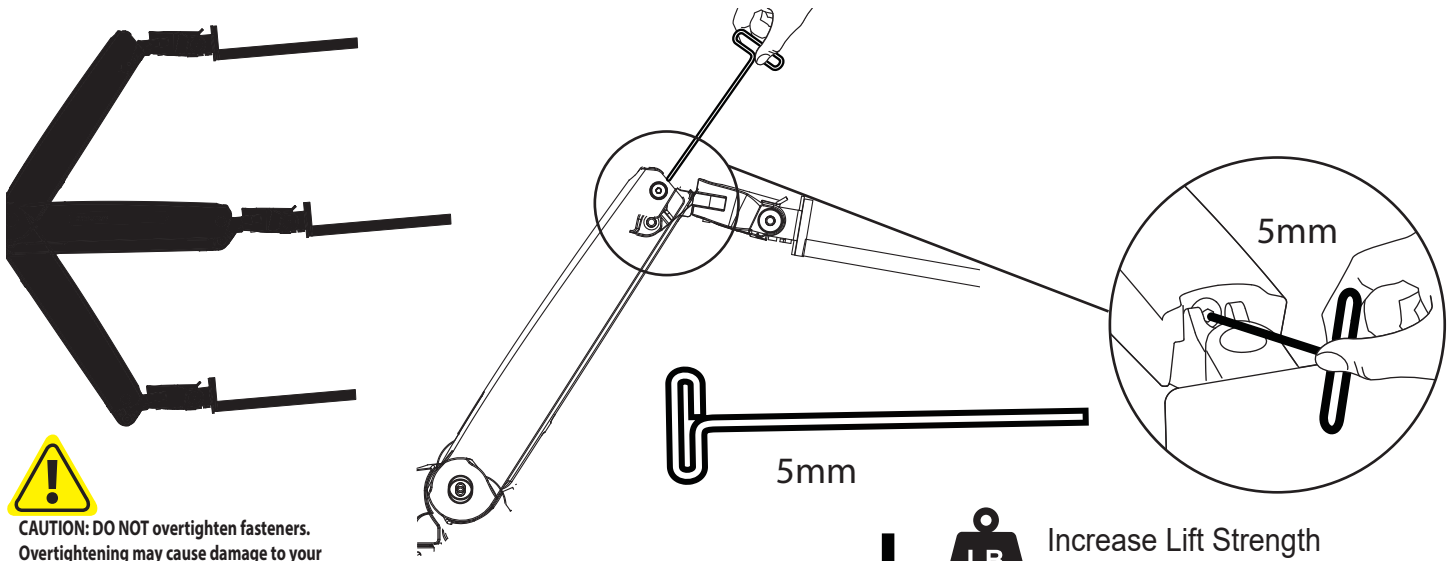


## Decrease Lift Strength

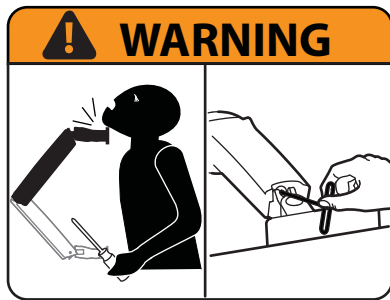
If the mounted weight is too light or this product does not stay down when lowered, then you'll need to decrease Lift Strength:



# 12 Lift - Up and down



**CAUTION: DO NOT** overtighten fasteners. Overtightening may cause damage to your equipment.



**WARNING! Stored Energy Hazard:** The arm mechanism is under tension and will move up rapidly, on its own, as soon as attached equipment is removed. For this reason, **DO NOT** remove equipment unless the arm has been moved to the highest position! Failure to follow this instruction may result in serious personal injury and/or equipment damage!



## Increase Lift Strength

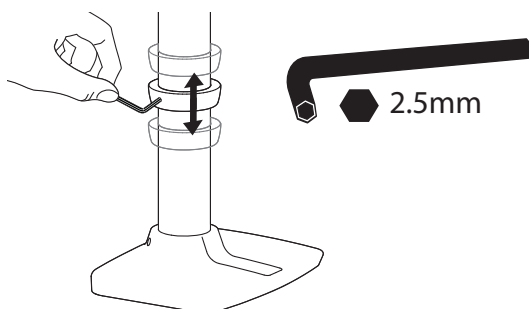
If the mounted weight is too heavy or this product does not stay up when raised, then you'll need to increase Lift Strength:



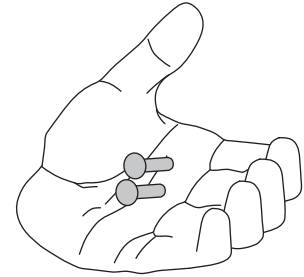
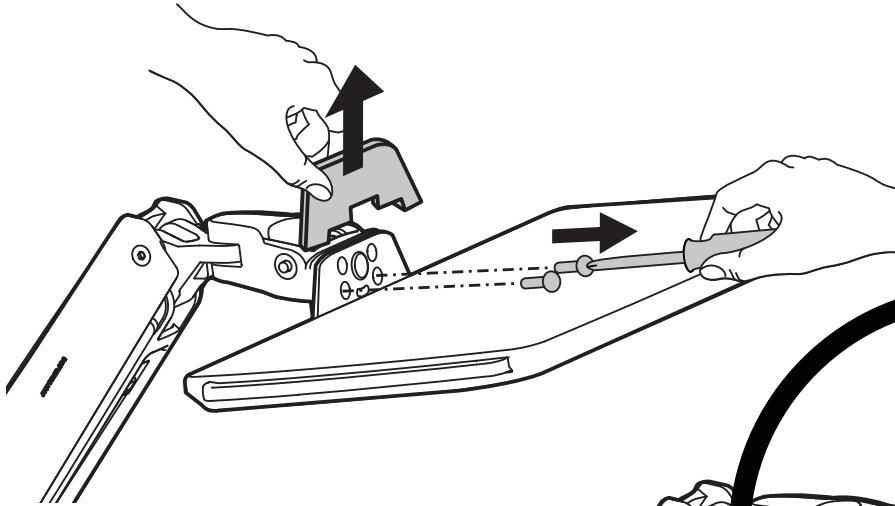
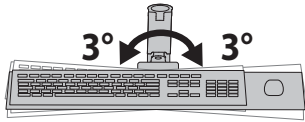
## Decrease Lift Strength

If the mounted weight is too light or this product does not stay down when lowered, then you'll need to decrease Lift Strength:

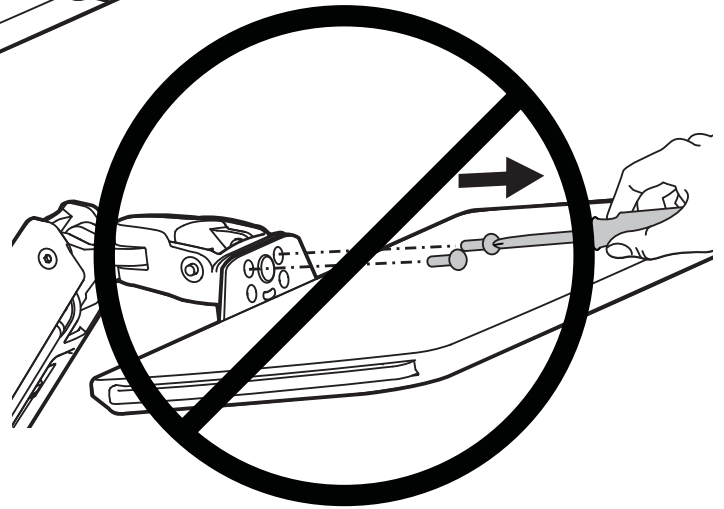
# 13 To adjust height on pole:




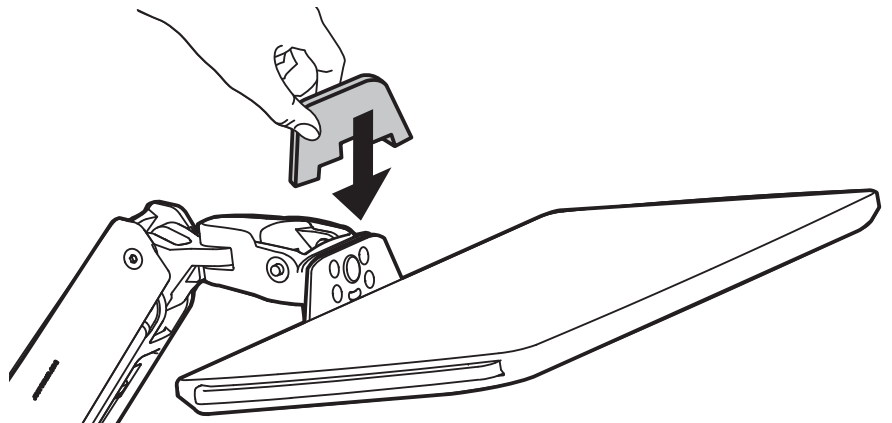
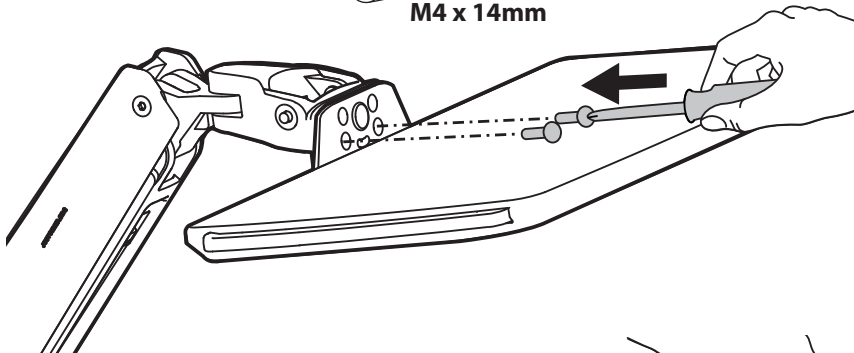
# How to remove this tilting feature:

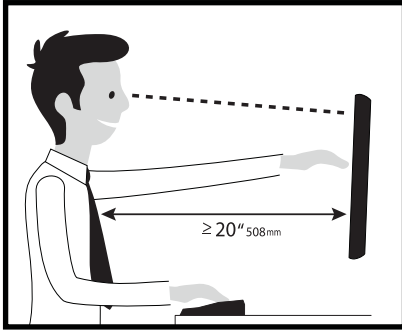


Save these screws incase you want to add this feature later.



2x  M4 x 14mm





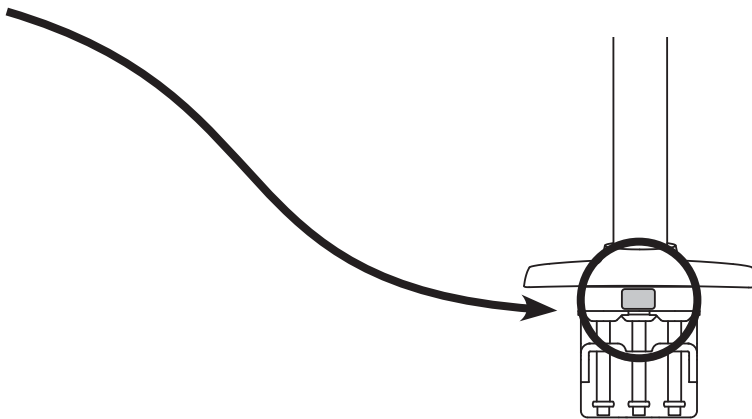
Learn more about ergonomic computer use at: [www.ergotron.com/ergonomics](http://www.ergotron.com/ergonomics)

For Warranty visit: [www.ergotron.com/warranty](http://www.ergotron.com/warranty)

For Service visit: [www.ergotron.com](http://www.ergotron.com)

For local customer care phone numbers visit: <http://contact.ergotron.com>

NOTE: When contacting customer service, reference the serial number.



# ergotron®

[www.ergotron.com](http://www.ergotron.com) | USA: 1-800-888-8458 | Europe: +31 (0)33-45 45 600 | China: 400-120-3051 | Japan: [japansupport@ergotron.com](mailto:japansupport@ergotron.com)

© 2015 Ergotron, Inc. All rights reserved. WorkFit™ is a registered trademark of Ergotron, Inc.

While Ergotron, Inc. makes every effort to provide accurate and complete information on the installation and use of its products, it will not be held liable for any editorial errors or omissions (including those made in the process of translation from English to another language), or for incidental, special or consequential damages of any nature resulting from furnishing this instruction and performance of equipment in connection with this instruction. Ergotron, Inc. reserves the right to make changes in the product design and/or product documentation without notification to its users. For the most current product information, or to know if this document is available in languages other than those herein, please contact Ergotron. No part of this publication may be reproduced, stored in a retrieval system, or transmitted in any form or by any means, electronic, mechanical, photocopying, recording or otherwise without the prior written consent of Ergotron, Inc., 1181 Trapp Road, Eagan, Minnesota, 55121, USA. Patents Pending and Patented U.S. & Foreign. Ergotron is a registered trademark of Ergotron, Inc.