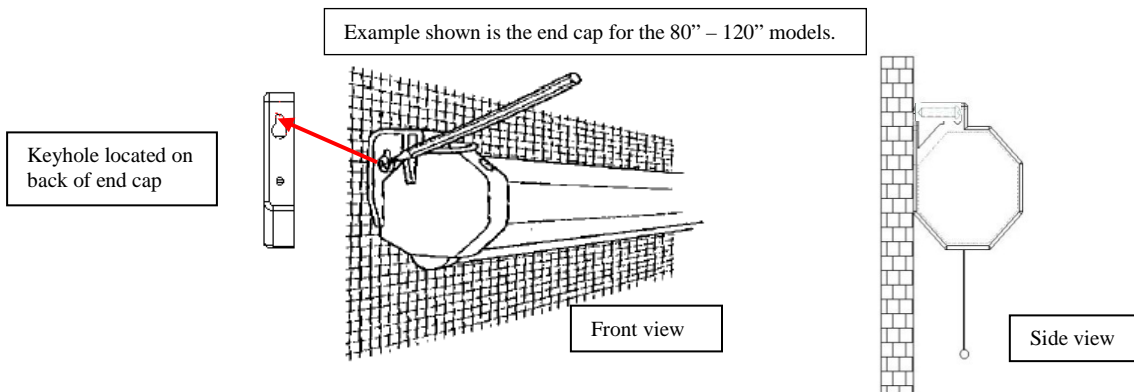


## Screen Installation

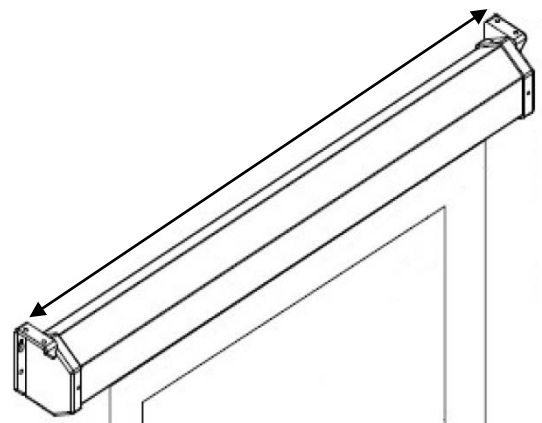
### A. Flush Wall Installation

1. Measure the distance of the keyholes on the end caps and mark the location of where the screen is to be installed for the pre-drilled hole.
2. After marking the area and drilling the hole, insert the proper screw into the drilled hole and leave about 1/8 of an inch from the wall to mount the screen.
3. Mount your screen from the keyhole located on the back of the screen's left and right end caps.



### B. Flush Ceiling Mounting (only for models 135" and above)

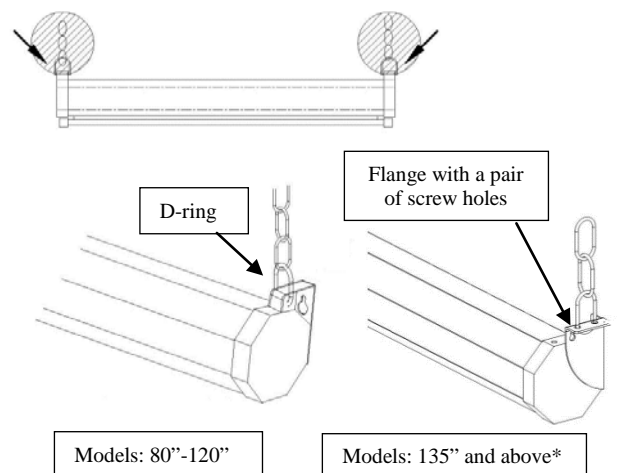
1. Measure the distance between the top screw holes located on the top of the end caps.
2. Mark the location of where the screen is to be installed for the pre-drilled hole.
3. Drill your hole, use a hollow wall anchor if needed
4. Insert the proper screw into the drilled hole and secure the screen to the ceiling.



### C. Suspended Ceiling Installation (for models 80"-120")

1. You can hang the screen from the ceiling by using chains (not included) and hooking them to the D-ring loops on models 80"-120", which are located on each end of the end cap.

*For models 135"- and above, D-ring or U-bolts (not included) are required to create loops for hanging the screen with chains from the end caps' flanges.*

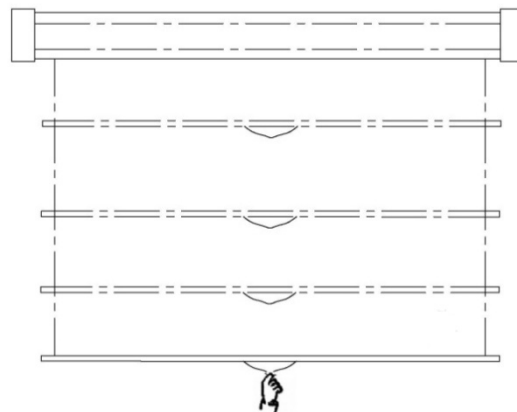


**Note:** Please consult with a hardware store professional for proper screws for your specific wall or ceiling installation. The installer must ensure that proper mounting hardware and fasteners used are of adequate strength and suitable for the mounting surface.

\*U-bolts and D-ring not included.

## Screen Operation

1. Pull the screen down from the lanyard or from the handle only at a 90-degree angle. The screen is designed with an auto-lock system. Make sure to pull straight down and allowing the screen to come up to lock into place. **Do not attempt to pull the screen down by the surface or touch the screen, as it will damage the screen and void the warranty.**
2. To retract the screen, simply pull the screen down more than two inches with a quick snap of the wrist and guide it back up in to the housing without releasing the handle.



**Attention:** When retracting, always pull the screen down at a 90-degree angle and *do not let go* until the screen is entirely inside the housing. If ever the screen feels stuck, keep in mind that the screen's mechanism is new and needs to be run up/down a few times to loosen up. If this happens, carefully, with a little force, yank the screen straight down to unlock the mechanism.

**RETRACTION TIP:** If you are not able to pull the screen down two inches when attempting to retract it, give the screen a quick yank downwards with a little bit of force. Please be sure to not stand directly under the housing of the unit when yanking down on the screen.

For more information or for tech support, please visit [www.elitescreens.com](http://www.elitescreens.com)

## On-Line User Guide or Download

线上说明书或下载 / 線上說明書或下載  
オンラインユーザーマニュアル / ダウンロード  
Manual del usuario on-line o descargar  
On-Line-Benutzerhandbuch oder Herunterladen  
Manuel de l'utilisateur en ligne ou télécharger  
On-Line manuale d'uso o download  
ออนไลน์ใช้คู่มือหรือดาวน์โหลด  
On-Line Руководство пользователя или скачать  
On-line Manual de utilizare sau de descărcare  
Hướng dẫn sử dụng trực tuyến hay tải xuống  
ل یمحت و آمدخت سمل ال یلدطخل ای ل ع  
ऑनलाइन उपयोगकर्ता किमैनुअल या डाउनलोड  
온라인 사용자 설명서 또는 다운로드  
On-Line Instrukcja obsługi lub pobierania  
On-Line Manual do Usuário ou Download  
Buku Panduan Online atau unduh



[www.elitescreens.com/UG](http://www.elitescreens.com/UG)