

Remote Control Operation Instructions

A. Coding of Remote Control and Control Box

STEP1: When the mount is powered on, press the small button on the control box with a thin tool as shown. The unit will emit a beep, indicating that the control box is on standby for program coding.

STEP2: Press the "OK" button on the remote control, and you will hear repeated beeps for approximate 10 seconds indicating that the remote control is being programmed. The unit will emit a beep again indicating success.

Note: Clear up the historical data when replacing a new remote control to pair. Press the small button on the control box with hearing a beep, and hold for 5 seconds to confirm the data-cleaning process is completed until you hear a beep again.

B. Button Functions

1.Upward/Downward Movement

Press and hold the "▲" button to lift the mount. Press and hold the "▼" button to lower the mount. (Tips: Clear up all obstacles within the range of motion.)

2.Memory Setting

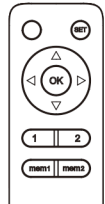
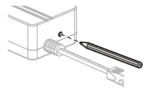
Long press the "mem1" or "mem2" button for 3 seconds until you hear a beep, indicating that the current position has been saved to memory. The "mem1" "mem2" buttons can each store a different position.

3.Recall Memory

Press the "1" or "2" button and the mount will automatically get to the position saved in the corresponding button "mem1" or "mem2".

4.Lowest Height Limit Setting

Short press the "mem1" button five times, after each press you will hear a beep and at the fifth press two beeps. This indicates the current height is now saved as the lowest height setting. The lowest height limit will be erased should the remote control be reset.



Note: The remote control is powered by two AAA batteries (not included).

5.Default Setting

Short press the "OK" button and the mount will automatically retract to the lowest position. To stop it, press the "OK" button again.

6.Reset Mode

Long press the "OK" button for 3 seconds until you hear a beep, and the mount starts to move downwards. Then the mount will move upwards a little bit when reaching the lowest position and automatically come to a stop. The system resets successfully when the unit emits two beeps.

7.Connect the Mount to a New Device

Short press the "mem2" button five times, after each press you will hear a beep and at the fifth press two beeps, which indicates the mount is disconnecting from the current paired device. The disconnection is successful when the unit emits one beep. Then follow the *Guidebook of Tuya App Installation and Operation* to connect the mount to a new device.

Note: If the device is failed to search the mount when connecting, follow the above steps or restart the device to re-search the mount.



Disposal:

The product with this mark indicates that this product shouldn't be disposed with other household wastes throughout the EU. To prevent possible harm to the environment or human health from uncontrolled waste disposal, recycle it responsibly to promote the sustainable reuse of material resources. To return your used device, please use the local recycle service or contact your point of purchase to withdraw the product.

Troubleshooting Guide

In Front

This Troubleshooting Guide will assist you in identifying and solving common problems and answering questions you may have about the product. Contact your place of purchase should the answer to your question or problem not be found in this Troubleshooting Guide and/or for any after service parts and sales support.

1.Possible reasons motorized mount does not respond to remote control.

A.TV Mount

- The system may be error. Check if the unit beeps three times after pressing the button. If so, please reset the system.
- The system may be overheating. Check if the unit beeps four times after pressing the button. If so, allow the unit to cool down and return to room temperature. (about 30 minutes)
- The AC/DC end of the power cord may be unplugged/disconnect from the outlet/mount. Check the connection to ensure the unit has power.
- Incorrect operation. Check if the unit beeps once after pressing the button. If so, please follow the instructions found in the manual to properly operate the mount.

B.Remote Control

- The remote control operating distance may be too far and not in range of the mount. Acceptable range should be less than 30 feet (10m).
- The batteries in the remote control may be low or dead. Replace the batteries.
- The remote control may be broken. Check to see if the indicator LED found on the remote lights when a button is pressed. If not, contact your place of purchase for a replacement.

2.The TV mount stops moving during operation and emits a long beep.

- Check to see if a foreign object is impeding the mount from moving. If so, remove the object and discard.
- The weight of TV may exceed the maximum weight limitation of the mounting system.
- The motor wire may be broken. Reset the system. If the problem still exists, contact your place of purchase for replacement.

3.The TV mount is making an abnormal noise or sound.

- Check all power connections and reset the system. If the unit continues to make an abnormal noise, please contact your place of purchase for a replacement.

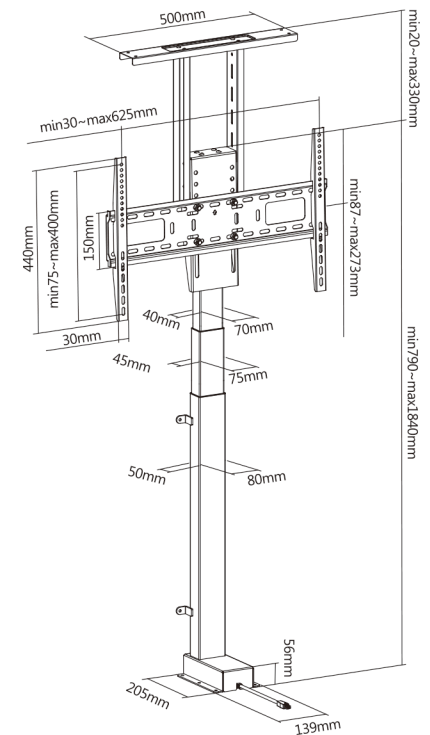


Installation manual

M Motorized TV Lift X-Large

EAN: 7350105214066

- Installation Manual
- تثبيت المنتج
- Instalační manuál
- Installationsmanual
- Installationsanleitung
- Paigaldusjuhend
- Οδηγίες εγκατάστασης
- Manual de instalación
- Asennusohje
- Installation Manuel
- הנחיה לרידום
- Szerelési kézikönyv
- Manuale di installazione
- 取り付け説明書
- 설치 설명서
- Montavimo instrukcija
- Uzstādīšanas rokasgrāmata
- Installație handleiding
- Installasjonshåndbok
- Instrukcja instalacji
- Manual de instalação
- Manual de instalare
- Инструкция по установке
- Instalačný manuál
- Navodila za montažo
- Installationsmanual
- Montaj kilavuzu
- 安裝手冊



en **IMPORTANT!**
Your Plasma, LCD, TV, Projector, Projector Screen or other HIFI equipment represents a considerable value.
If screws are included they may not be suitable for the material of your wall, ceiling or floor.
Replace the screws with suitable ones if needed.
In case you are unsure regarding any aspects of the mounting of this product please
Consult a professional.

ar **مهم!**
إن شاشة البلازما أو LCD أو التلفاز أو جهاز العرض أو شاشة جدار أو جهاز أو حاسب أو أي من هذه الأجهزة ذات قيمة عالية.
إذا كانت مسامير التثبيت موجودة مع المنتج، فقد لا تكون مناسبة لمواد الجدران، السقف أو الأرضية.
استبدل المسامير بمسامير مناسبة إذا لزم الأمر.
في حالة عدم التأكد من أي جوانب تركيب هذا المنتج، يرجى استشارة الفني المتخصص.

cz **DŮLEŽITÉ!**
Vaš plazmový nebo LCD televizor, projektor, plátno a další elektrotechnické vybavení je jeho hodnotné.
Pokud jsou součástí balení produktu šrouby, zkontrolujte, zda jsou vhodné pro upevnění ke stěně, stropu nebo podlahě v místě instalace.
V případě, že nebudou přibalené šrouby vyhovovat, vyměňte je.
Pokud budete mít při montáži tohoto produktu potíže, obraťte se na zkušeného odborníka.

da **VIGTIGT!**
Din plasmaskærm, LCD-skærm, tv, projektor, projektoriskærm eller andet HIFI-udstyr repræsenterer en betydelig værdi.
Hvis der medfølger skruer, passer de muligvis ikke til materialet i væggen, loftet eller gulvet.
Udskift skruerne med passende skruer, hvis det er nødvendigt.
Hvis du er i tvivl om noget i forbindelse med monteringen af produktet, skal du kontakte en ekspert.

nl **BELANGRIJK!**
Uw Plasma, LCD TV, Projector, Projector scherm of andere HIFI-apparaat vertegenwoordigt een aanzienlijke waarde.
Het kan zijn dat de bijgeleverde schroeven niet geschikt zijn voor uw toepassing. In dat geval dient u te ze vervangen door schroeven die wel geschikt zijn. Twijfelt u, raadpleeg dan een professional.

ee **TÄHTIS!**
Teie telet, projektor, projektori ekrään või muu HIFI seade on suure väärtusega.
Kui kinnitused on komplektis, siis ei pruugi need sobida Teie seinale, laev või põrandale materjaliga.
Vajadusel vahetage kruvid sobivate vastu.
Kui Te ei ole seadme paigaldamise detailides kindel, siis konsulteerige spetsialistiga.

de **ACHTUNG!**
Ihr Plasma-, LCD-, TV-Gerät, Ihr Projektor, Ihre Leinwand oder sonstige HIFI-Ausrüstung stellen einen beträchtlichen Wert dar.
Die möglicherweise im Lieferumfang enthaltenen Schrauben sind unter Umständen nicht für das Material Ihrer Wände, Decken oder Böden geeignet.
Ersetzen Sie sie bei Bedarf durch geeignete Schrauben.
Wenn Sie bezüglich der Montage des Produkts Unsicherheiten sind, wenden Sie sich an einen Fachmann.

el **ΣΗΜΑΝΤΙΚΟ!**
Οι τηλεόρατες Plasma, LCD, ο κανονικός τηλεόρατες, οι οθόνες προβολέων ή άλλες συσκευές HIFI έχουν μία αξιοσημείωτη αξία.
Αν παραβληθούν οι βίδες, ίσως να μην είναι κατάλληλες για το υλικό του τοίχου, του ταβανιού ή του ημιώματου σόφης.
Αντικαταστήστε τις βίδες με κατάλληλες αν είναι απαραίτητο.
Στη περίπτωση που δεν είστε σίγουροι για κάποιας εξοπλισμού σχετικά με την προεργασία αυτού του προϊόντος, παρακαλούμε συμβουλευτείτε έναν ειδικό.

es **IMPORTANT!**
Los equipos de plasma o LCD, los televisores, proyectores y pantallas de proyección, así como otros equipos de alta fidelidad suponen una inversión considerable.
Si incluyen tornillos, puede que no sean adecuados para el material del que están formados la pared, el techo o el suelo.
Si no está seguro sobre cualquier aspecto del montaje de este producto, consulte a un profesional.

fi **TÄRKEÄÄ!**
Plasma- tai nestekidenäyttöjen, televisioiden, projektorien ja niiden valkokankaiden sekä muiden hifi-laitteiden arvo on huomattava.
Laitteen mukana toimitettavat ruuvit eivät välttämättä sovellu seinien, katon tai lattiamateriaaliin.
Korvaa ne tarvittaessa sopivilla ruuveilla.
Mikäli olet epävarma mistä tahansa tämän tuotteen kiinnittämiseen liittyvästä seikasta, ota yhteys asiantuntijaan.

fr **IMPORTANT!**
Vos écrans plasma, LCD, télévisions, projecteurs, écrans de projection ou autre matériel HIFI ont une valeur considérable.
Les vis fournies peuvent ne pas être compatibles à la nature de vos murs, plafonds et sols.
Remplacez-les par des vis adaptées.
Si vous avez des doutes quant au montage de ce produit, veuillez consulter un professionnel.

hu **FONTS!**
Plazma, LCD TV-c, projektorok, vetítőhözvázad vagy egyéb műszaki berendezések tekintélyes értékűek lehetnek.
Ha a csavarokat tartalmazza, akkor sem biztos, hogy alkalmasak a berendezés, hogy falra, mennyezetre, vagy a padlóhoz rögzítés.
Cserélje ki a csavarokat a megfelelőre, ha szükséges.
Abban az esetben, ha nem biztos a termék beépítésével kapcsolatban, forduljon szakemberhez.

it **IMPORTANT!**
I vostri plasma, LCD, TV, proiettori, schermi di proiezione o altri apparecchi HIFI rappresentano un notevole investimento.
Le viti in dotazione potrebbero rivelarsi non adatte per il materiale della parete, del soffitto o del pavimento.
Sostituitele quindi con viti più idonee in caso di necessità.
Nel caso riscontriate problemi nel montaggio di questo prodotto, consultate un tecnico specializzato.

jp **重要!**
あなたのプラズマ、LCDは、テレビ、プロジェクタ、プロジェクタースクリーンまたは他のハイファイ機器はかなりの値を表します。
ネジが含まれている場合、彼らはあなたの壁、天井や床の材質に適していないかもしれませぬ。
必要に応じて適切なものでネジを取り付けます。
ケースでは、本製品の取り付けのいずれかの側面に不明な点があるプロに相談してください。

WARRANTY CARD

MULTIBRACKETS.COM

<p>MULTIBRACKETS™ Limited Warranty Multibrackets warrants its products to be free of defects in material and workmanship for the product's Warranty Period. The Warranty Period commences on the original purchase date of the product.</p> <p>All Multibrackets products are covered by a limited product warranty.</p> <ul style="list-style-type: none"> • FIVE (5) years for metal video monitor mounts, all racks and non-electrical rack accessories • TWO (2) years for gasfills and sit-stand workstations • ONE (1) year for all motorized and/or automated products, plastic speaker mounts, all speaker stands, all furniture, all wood (MDF) accessories 	<p>For warranty claims made during the Warranty Period, MULTI BRACKETS will replace any defective product part free of charge. Should a part on your Multibrackets product fail, please create an RMA case on www.multibrackets.com/support to make a warranty claim. We will await your documentation and then discuss the warranty with you and once we confirm the product is under warranty, we will ship replacement parts to you. This Limited Warranty does not cover the costs of removing and replacing defective parts from your Multibrackets product. So, if your problem requires a repair technician, you must pay any labor charges.</p> <p>This Limited Warranty extends only to the original purchaser of the product and is automatically void if your Multibrackets product is modified in any way, improperly installed, taxed beyond its stated weight capacity or otherwise misused or abused. All Multibrackets products are intended for indoor use only and any</p>	<p>outdoor use voids this Limited Warranty. The Limited Warranty for wall and ceiling mounts is void if the mount is moved from its initial installation. To the maximum extent permitted by applicable law, Multibrackets disclaims any other warranties, express or implied, including warranties of fitness for a particular purpose and warranties of merchantability. Multibrackets will not be liable for any damages whatsoever arising out of the use or inability to use its products, even if Multibrackets has been advised of the possibility of such damages. To the maximum extent permitted by applicable law, Multibrackets disclaims any responsibility for incidental or consequential damages.</p> <p style="text-align: right;">Multibrackets™ Stockholm Sweden 2016. www.multibrackets.com</p>
--	---	---

no **VIKTIG!**
Din plasma, LCD, TV, projektor, projektoriskjerm eller annet HIFI-utstyr har betydelig verdi.
Hvis skruer følger med, er det ikke sikkert at de passer til materialet i veggen, taket eller gulvet.
Bytt skruene i skruer som er egnet om nødvendig.
Hvis du er usikker når det gjelder monteringen av dette produktet, må du kontakte en profesjonell.

pl **UWAGA!**
Monitor plazmowy, LCD, telewizor, projektor, ekran projekcyjny lub inny sprzęt HIFI stanowi znaczną wartość.
Jeśli dołączono do niego śruby mocujące, mogą one nie być odpowiednie do materiału, z którego wykonana są dane ściany, sufit lub podłoga.
W razie potrzeby należy je zastąpić odpowiednimi śrubami.
W razie jakichkolwiek wątpliwości dotyczących montażu tego urządzenia prosimy zasięgnąć porady u specjalisty.

pt **IMPORTANT!**
O seu Plasma, LCD, TV, projetor, tela de projecção ou outro equipamento de HIFI representa um valor considerável.
Se os parafusos estão incluídos eles podem não ser adequados para o material da sua parede, teto ou chão.
Substitua os parafusos com os adequados, se necessário.
Em caso de dúvida sobre quaisquer aspectos da montagem deste produto, consulte um profissional.

ru **ВАЖНО!**
Ваш Plasma, LCD, TV, проектор, проектора экранs или HIFI экран имеет высокую стоимость.
Если в комплекте с устройством прилагаются шурупы, они могут не подойти к материалу стены, потолка или пола.
В случае необходимости замените их на более подходящие.
Если у вас есть какие-либо сомнения относительно того, как крепить данный продукт, пожалуйста, проконсультируйтесь у квалифицированного специалиста.

sv **VIKTIG!**
Din plasmaskärm, LCD-skärm, TV, projektor, projektoriskärm eller annan HIFI-utrustning representerar ett ansenligt värde.
Om skruvar medföljer utrustningen är det inte säkert att de passar för materialet i väggen, taket eller golvet.
Byt ut skruvarna mot lämpliga skruvar om så krävs.
Kontakta en expert om du är osäker på nagel i samband med monteringen av produkten.

sk **DŮLEŽITÉ!**
Vaš plazmový alebo LCD televizor, projektor, plátno a ďalšie elektrotechnické vybavenie je jeho vysoká hodnota.
Pokiaľ sú súčasťou balenia produktu skrutky, skontrolujte, či sú vhodné pre upevnenie k stene, stropu alebo podlahe v mieste inštalácie.
V prípade, že nebudú pribalené skrutky vyhovovať, vymeňte ich.
Pokiaľ budete mať pri montáži produktu potiaže, obráťte sa na skúseného odborníka.

sl **POMEMBNO!**
Vaš Plasma, LCD, TV, projektor, projekcijsko plátno ali drugo HIFI oprema predstavlja pomembno vrednost.
Če so vključeni vijaki ne smejo biti primerni za material svojega stene, strop ali tla.
Ponovno nameštite vijake z ustreznimi tiste, če je potrebno.
V primeru, da ste prepričani o vseh vidikih vgradnje tega izdelka se obrnite na strokovnjaka.

tr **ÖNEMLİ!**
Plazma, LCD, TV, Projektor, Projektör Ekranınız veya diğer HIFI cihazınız son derece değerlidir.
Biriye verilen vidalar duvar, tavan veya döşeme teçhizatınıza uygun olmayabilir.
Gerekliğinde vidaları uygun olanlarla değiştirin.
Bu ürünü monte şekilleri ile ilgili sorularınıza bizima halimize bir uzmandan yardım alın.

zh **重要提示!**
您的等离子、LCD、TV、投影仪、投影屏幕或其他 HIFI 设备都有着不菲的价值。
如果附带有螺钉，它们可能不适合您的墙壁、天花板或地板。
如果需要，请将螺钉更换为适当的型号。
如果对本产品安装的任何方面有疑问，请咨询专业人士。

Warning!
Always check the depth of the holes before starting an installation.
تحذير
الرجاء دائما عمق الثقوب قبل أن تبدأ في عملية التركيب.

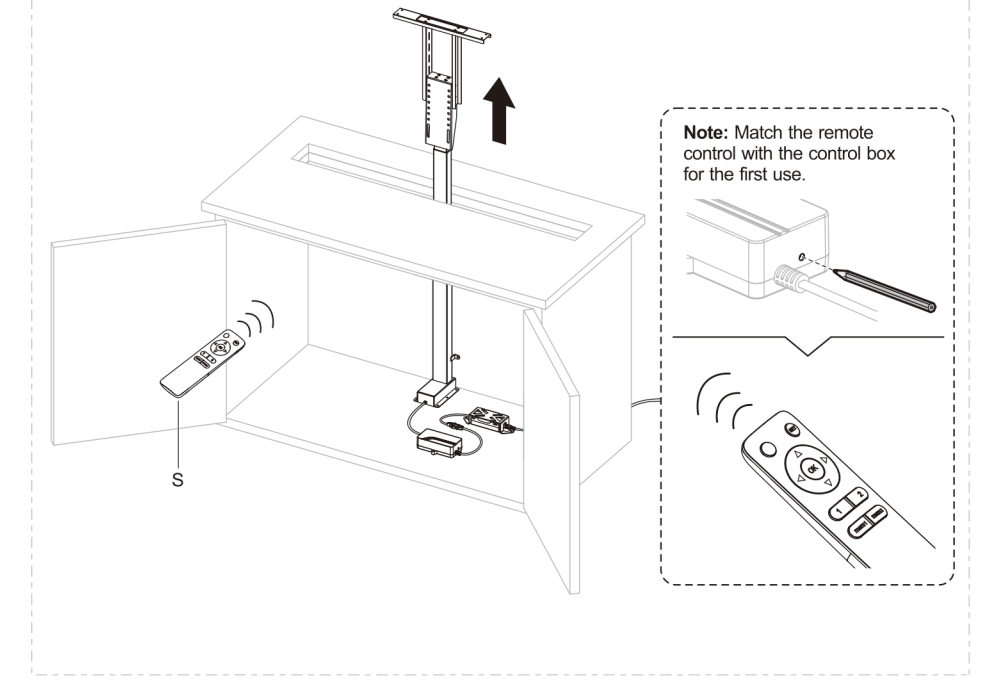
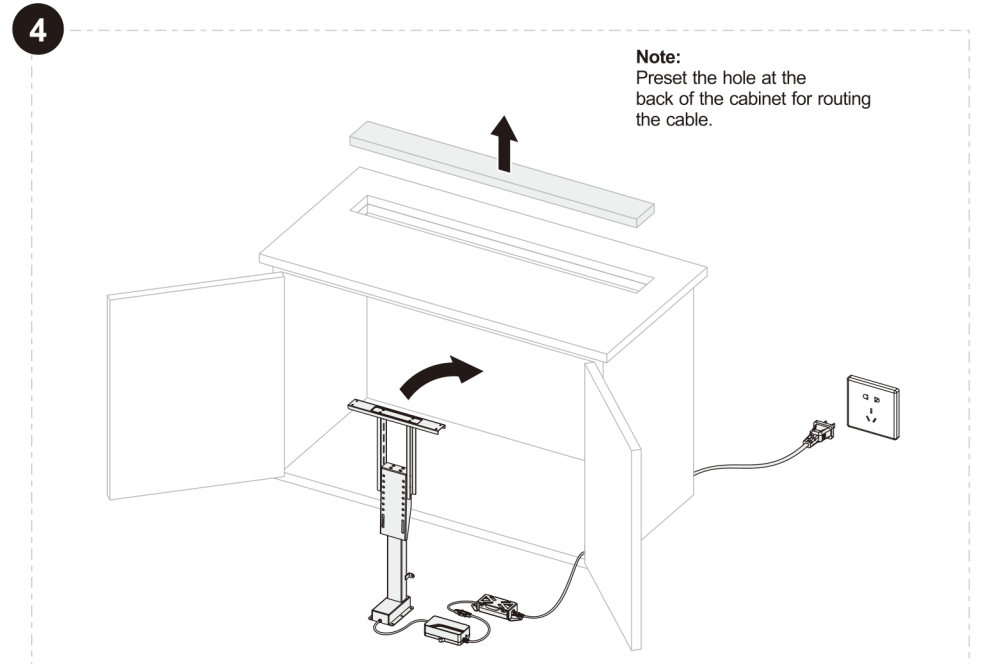
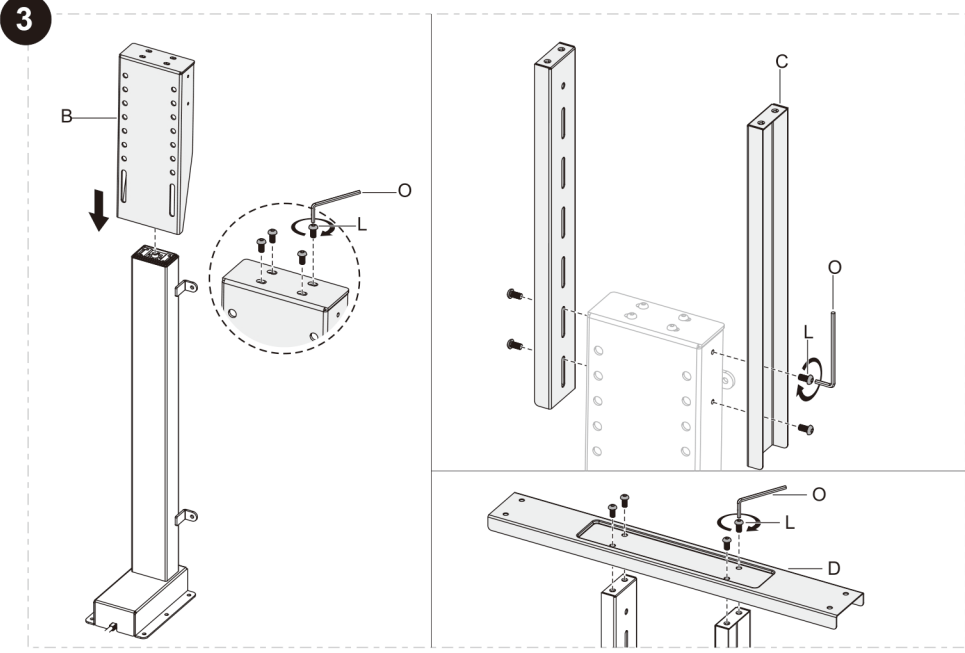
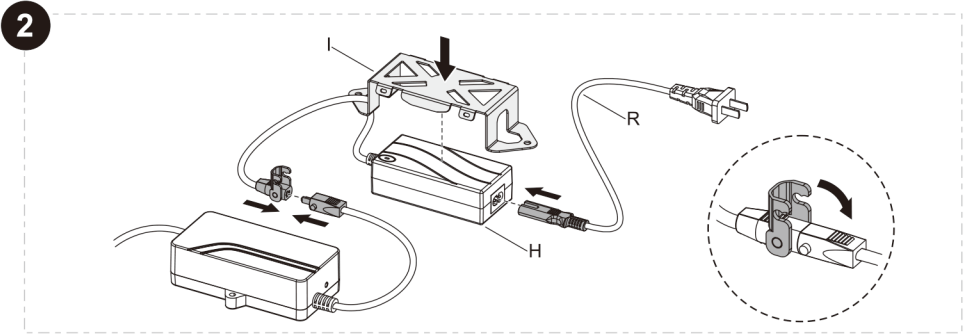
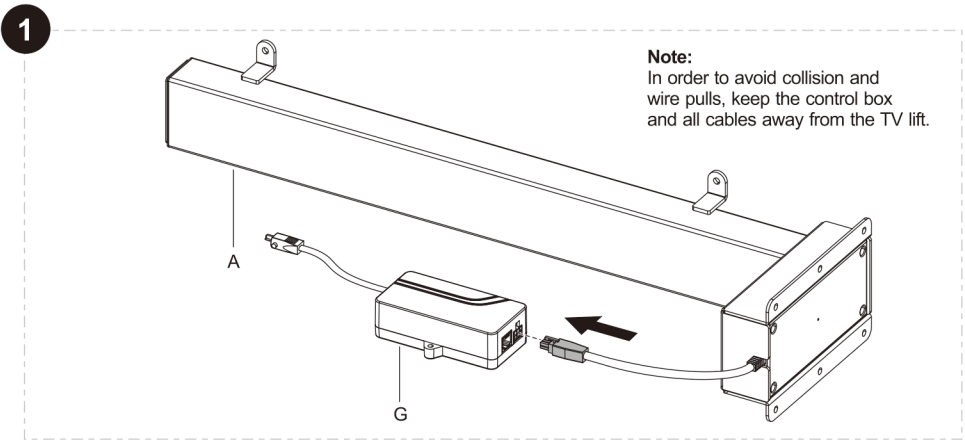
ADVARSEL!
Kontroller alltid hullernes dybde, før du går i gang med en installasjon.
WARNING!
Vor Beginn des Einbaus immer die Tiefe der Bohrungen überprüfen.
ΠΡΕΔΙΔΟΤΗΖΗ!
Ελέγχετε πάντοτε το βάθος των οπών προτού ξεκινήσετε την εγκατάσταση.
WARNING!
Always check the depth of the holes before starting an installation.
AVISO!
Controle siempre la profundidad de los agujeros antes de iniciar una instalación.
VAROITUS!
Selviä kaikki reikien syvyyden asentamisen aloittamista.
ATTENTION!
Vérifiez toujours la profondeur des trous avant de commencer l'installation.
ATTENZIONE!
Verificare sempre la profondità dei fori prima dell'installazione.
Varovani!
Pred zahajením inštalácie vždy zkontrolujte potrebnú hĺbku všetch otvorov.
ADVARSEL!
Sjekk alltid hvor dype hullene er før du begynner å montere.
OSTRZEŻENIE!
Przed przystąpieniem do montażu należy koniecznie sprawdzić głębokość otworów.
ПРЕДУПРЕЖДЕНИЕ!
Перед установкой всегда проверяйте глубину отверстий.
VAROITUS!
Kontrollire altid hållens djup innan en installation påbörjas.
YUARI!
Montaja baqlamadnan önce daima delklerin derinligini kontrol edin.
警告
请始终在开始安装前检查孔洞的深度。

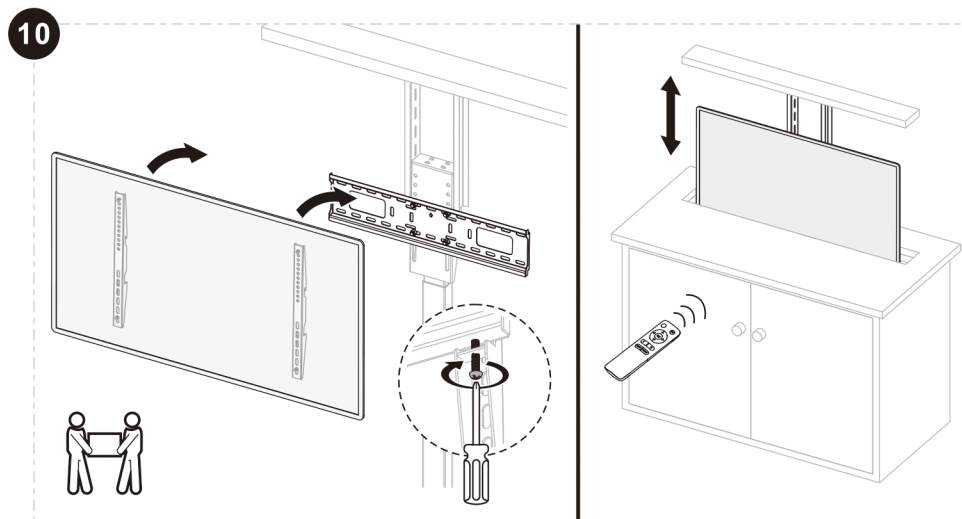
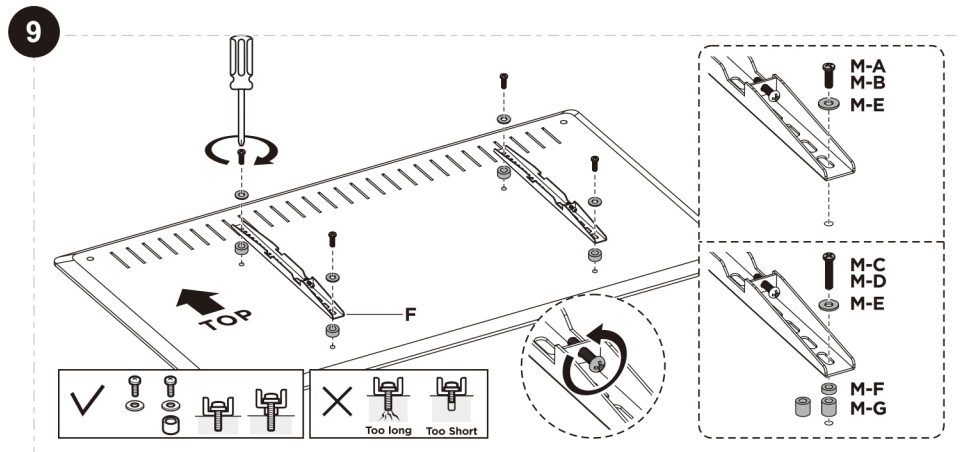
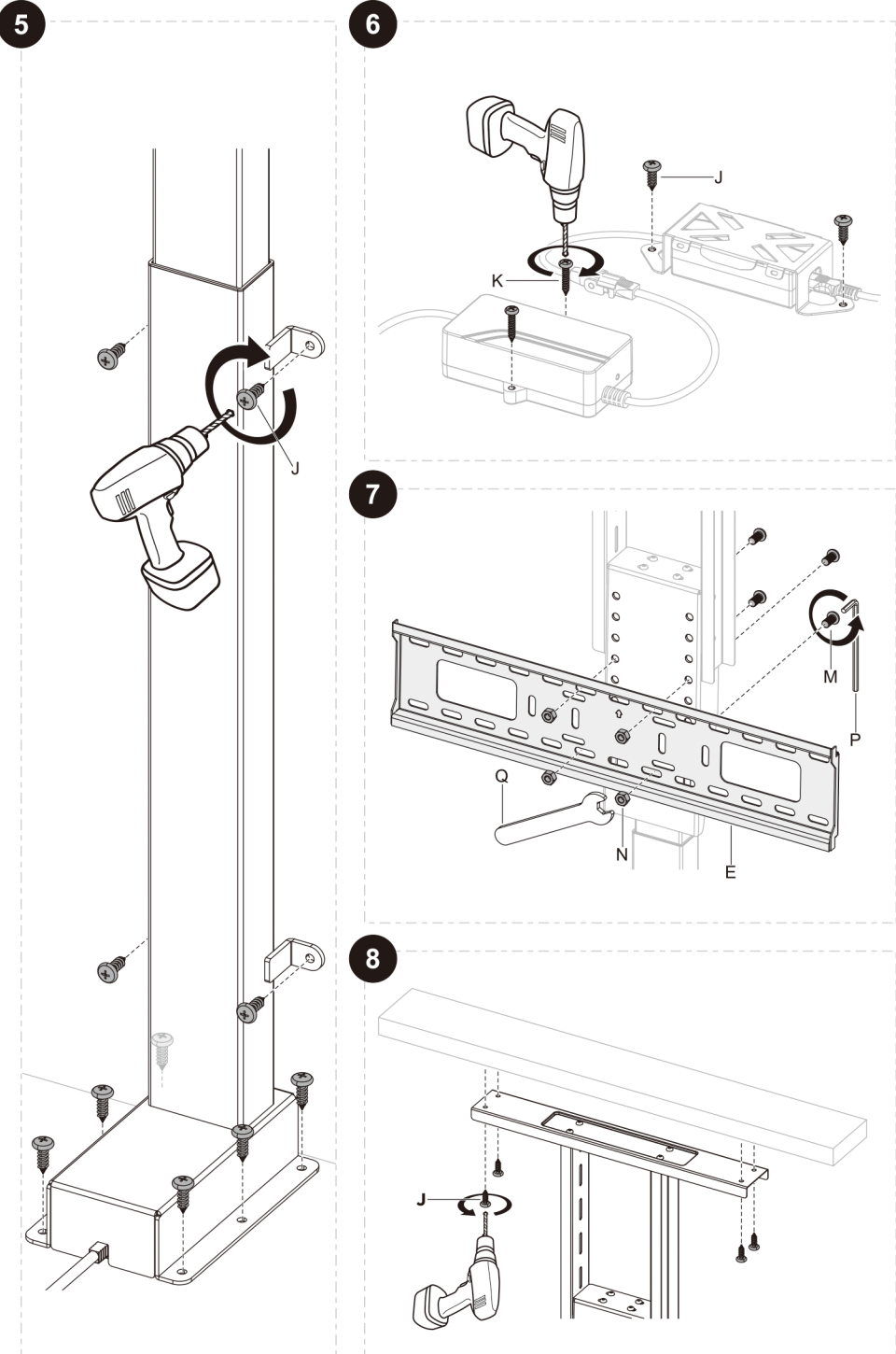
A (x1)	B (x1)	C (x2)	D (x1)	E (x1)	
F (x2)	G (x1)	H (x1)	I (x1)	J (x16) ST5.5x16	K (x2) ST4.2x20
L (x12) M6x12	M (x4) M10x20	N (x10) M10	O (x1) 4mm	P (x1) 6mm	Q (x1) 16mm
R (x1)	S (x1)	M-A (x4) M6x14	M-B (x4) M8x16	M-C (x4) M6x30	M-D (x4) M8x35
M-E (x4) D8	M-F (x4) Ø15xØ8x5	M-G (x4) Ø15xØ8x15			

! Please prepare a proper cabinet before installation.

≥50mm
≥10mm
≥50mm

The content of this manual is subject to change without further notice. The latest version of this manual can be found online under the product name on the website: www.multibrackets.com





The product is powered by electricity. In order to avoid burns, fire and electric shock and make sure the safe and correct use of the system and maintain the longevity of the overall construction and the built-in electronics, please read the instructions carefully.

⚠ Warnings

- This appliance can be used by children aged from 8 years and above if they have been given supervision or instruction concerning use of the appliance in a safe way and understand the hazards involved. Children shall not play with the appliance. Cleaning and user maintenance shall not be made by children without supervision.
- Persons with reduced physical, sensory or mental capabilities or lack of experience and knowledge must not use the appliance, unless they're under supervision, understand the hazards involved or they have been thoroughly instructed in the use of the apparatus by a person who is responsible for the safety of these persons.
- Don't leave the cords or plug unorganized in order to prevent tripping hazards.
- Any attempts to reconstruct the construction aren't allowed.

⚠ Electrical Safety Instructions

- The appliance is only to be used with the power supply unit provided with the appliance. Alterations of the given power unit aren't allowed.
- Never operate the system with a damaged power supply cord or plug. If any parts is damaged, please contact your service agent of purchase for a replacement.
- Never operate the system if it's in moist environment or its electrical components has contact with liquids.
- Don't clean the product while the power is still connected.
- Don't disassemble or replace components while the power is still connected.
- Unplug the appliance when the system isn't in use, and place the power plug out of children reach.