

Europe, Middle East

ENGLISH
FRANÇAIS
DEUTSCH
NEDERLANDS
ITALIANO
ESPAÑOL
PORTUGUÊS
РУССКИЙ
ΕΛΛΗΝΙΚΑ
TÜRKÇE
POLSKI
العربية

North America/

Norteamérica

ENGLISH
FRANÇAIS
ESPAÑOL

Latin America/

América Latina

ENGLISH
ESPAÑOL
PORTUGUÊS

Asia Pacific

日本語
한국어
[ENGLISH
[中文
[ENGLISH



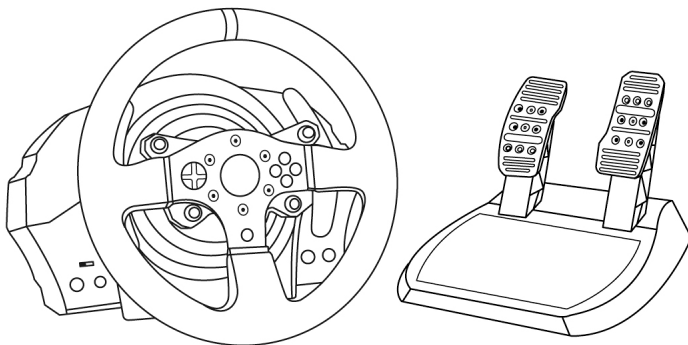
THRUSTMASTER®

T300RS

T300RS

FOR PLAYSTATION®3 – PLAYSTATION®4

User Manual



WARNING:

To ensure that your T300 RS racing wheel functions correctly with games for PlayStation®3 or PlayStation®4, you may be required to install the games' automatic updates (available when your console is connected to the Internet).

ENGLISH

FRANÇAIS

DEUTSCH

NEDERLANDS

ITALIANO

ESPAÑOL

PORTUGUÊS

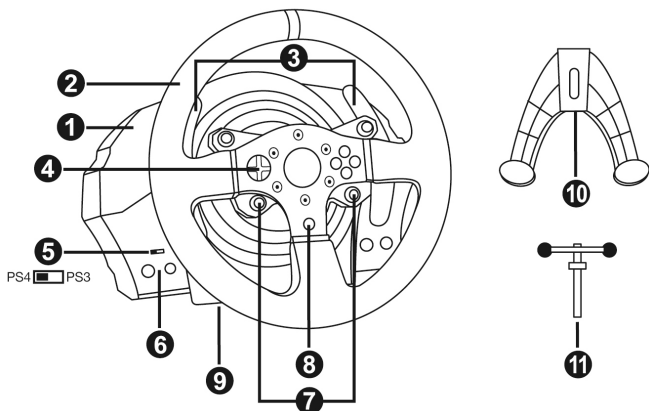
РУССКИЙ

ΕΛΛΗΝΙΚΑ

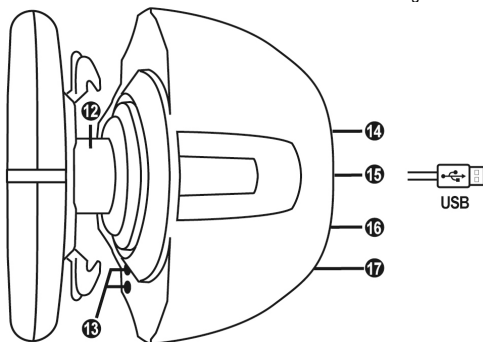
TÜRKÇE

POLSKI

TECHNICAL FEATURES



- | | |
|---|--|
| <ul style="list-style-type: none"> 1 T300 RS base 2 PS wheel 3 2 sequential paddle shifters (Up & Down) 4 Directional buttons 5 PS4™ or PS3™ USB sliding switch 6 MODE button + red/green indicator light | <ul style="list-style-type: none"> 7 SELECT/START buttons on PS3™ and SHARE/OPTIONS on PS4™ 8 PS button 9 Large threaded hole (for attachment system and fastening screw) 10 Attachment system 11 Metal fastening screw |
|---|--|



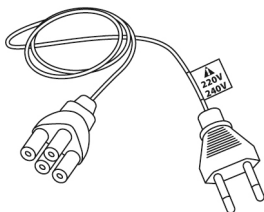
- | | |
|--|--|
| <ul style="list-style-type: none"> 12 Thrustmaster Quick Release 13 L3/R3 buttons 14 Power supply connector (type A or B)
<i>(varies from one country to another)</i> | <ul style="list-style-type: none"> 15 Racing wheel USB cable and connector 16 Shifter (gearbox) connector
<i>(sold separately)</i> 17 Pedal set connector |
|--|--|

PLUGGING THE RACING WHEEL INTO AN ELECTRICAL OUTLET: PLEASE READ BEFORE PROCEEDING!

Your racing wheel's power supply varies according to the country where you purchased your device.
The power supply can be:

Internal, with:

- * a power supply unit located directly inside the racing wheel's base, with a type A connector.
- * a 220-240 V power supply cable.
- = compatible only with 220-240 V electrical power.

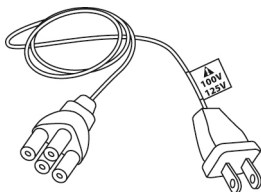


**Never connect the 220-240 V cable
to a 100-130 V electrical outlet!!!
Never connect this cable to a power adapter!!!**



Internal, with:

- * a power supply unit located directly inside the racing wheel's base, with a type A connector.
- * a 100-125 V power supply cable.
- = compatible only with 100-125 V electrical power.



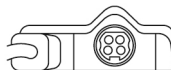
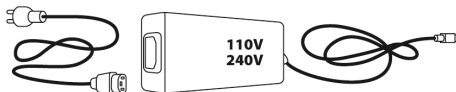
**Never connect the 100-125 V cable
to a 220-240 V electrical outlet!!!
Never connect this cable to a power adapter!!!**



**IMPORTANT: if you do not know which voltage is supplied in the area in which you are using
your racing wheel, please ask your local electricity supplier.**

External, with:

- * an external power supply unit, with a type B connector.
- * a power supply cable.
- = compatible with all electrical voltages, from 110-240 V.



WARNINGS

Before using this product, please read this manual carefully and save it for later reference.



Warning – Electrical shock

- * Keep the product in a dry location and do not expose it to dust or sunlight.
- * Do not twist or pull on the connectors and cables.
- * Do not spill any liquid on the product or its connectors.
- * Do not short-circuit the product.
- * Never dismantle the product; do not throw it onto a fire and do not expose it to high temperatures.
- * Do not use a power supply cable other than the one provided with your racing wheel.
- * Do not use the power supply cable if the cable or its connectors are damaged, split or broken.
- * Make sure that the power supply cable is properly plugged into an electrical outlet, and properly connected to the connector at the rear of the racing wheel's base.
- * Do not open up the racing wheel: there are no user-serviceable parts inside. Any repairs must be carried out by the manufacturer, its authorized representative or a qualified technician.
- * Only use attachment systems/accessories specified by the manufacturer.
- * If the racing wheel is operating abnormally (if it is emitting any abnormal sounds, heat or odors), stop using it immediately, unplug the power supply cable from the electrical outlet and disconnect the other cables.
- * If you will not be using the racing wheel for an extended period of time, unplug its power supply cable from the electrical outlet.



Air vents

Make sure not to block any of the air vents on the racing wheel's base. For optimal ventilation, make sure to do the following:

- * Position the wheel's base at least 10 cm away from any wall surfaces.
- * Do not place the base in any tight spaces.
- * Do not cover the base.
- * Do not let any dust build up on the air vents.



**For safety reasons, never use the pedal set with bare feet
or while wearing only socks on your feet.**

**THRUSTMASTER® DISCLAIMS ALL RESPONSIBILITY IN THE EVENT OF
INJURY RESULTING FROM USE OF THE PEDAL SET WITHOUT SHOES.**



Warning – Injuries due to Force Feedback and repeated movements

Playing with a Force Feedback racing wheel may cause muscle or joint pain. To avoid any problems:

- * Avoid lengthy gaming periods.
- * Take 10 to 15 minute breaks after each hour of play.
- * If you feel any fatigue or pain in your hands, wrists, arms, feet or legs, stop playing and rest for a few hours before you start playing again.



Warning – Injuries due to Force Feedback and repeated movements (continued)

- * If the symptoms or pain indicated above persist when you start playing again, stop playing and consult your doctor.
- * Keep out of children's reach.
- * During gameplay, always leave both hands correctly positioned on the wheel without letting it go completely.
- * During gameplay, never place your hands or your fingers under the pedals or anywhere near the pedal set.
- * During calibration and gameplay, never place your hand or your arm through the openings in the racing wheel.
- * Make sure that the racing wheel's base is properly secured, as per this manual's instructions.



Product to be handled only by users
16 years of age or older

HEAVY PRODUCT



Be careful not to drop the product on
yourself or on anyone else!

ALWAYS



NEVER



NEVER





Warning – Pedal set pinch hazard when playing

- * Keep the pedal set out of children's reach.
- * During gameplay, never place your fingers on or anywhere near the sides of the pedals.
- * During gameplay, never place your fingers on or anywhere near the pedals' rear base.
- * During gameplay, never place your fingers on or anywhere near the pedals' front base.



Warning – Pedal set pinch hazard when not playing

- * Store the pedal set in a safe place, and keep it out of children's reach.

UPDATING YOUR RACING WHEEL'S FIRMWARE

The firmware included in your racing wheel's base can be updated to a more recent version featuring product enhancements.

To display the firmware version that your racing wheel is currently using and update it if required: on PC, visit <http://ts.thrustmaster.com>. In the **Updates and Downloads** section, click **PlayStation® / Wheels / T300 RS**, then select **Driver/Firmware** and follow the instructions describing the download and installation procedure.

INSTALLING THE RACING WHEEL ON ITS BASE

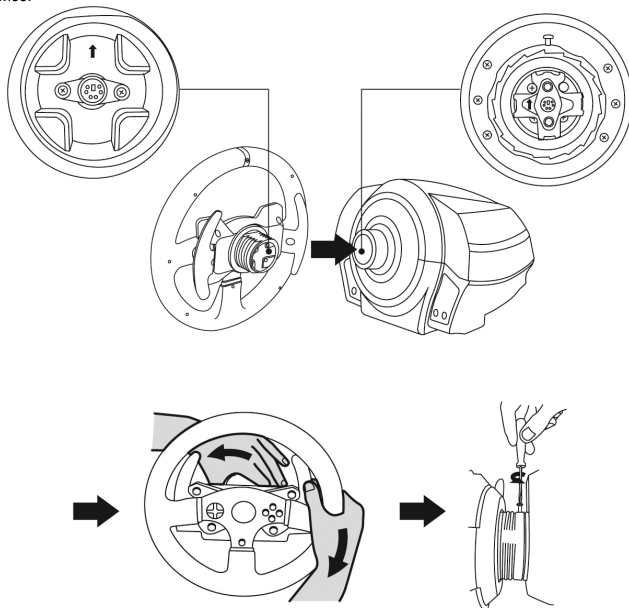
Align the connector positions using the arrows:

Base (1) connector: Arrow pointing upwards

Racing wheel (2) connector: Arrow pointing upwards

Once the connectors are correctly positioned, simply rotate the Thrustmaster Quick Release (12) device's ring counterclockwise, while holding the racing wheel (2) in position.

Then, tighten the ring as much as you can: to do so, hold the ring in position and rotate the racing wheel clockwise.



Once you have installed the racing wheel, rotate it 180° (when facing the wheel, the PlayStation® logo should be upside down) to access the small attachment screw located on the ring of the Thrustmaster Quick Release (12) device. Use a large Phillips screwdriver to tighten the small attachment screw (do not use excessive force), turning it clockwise.



Do not use excessive force when tightening the small attachment screw (using a Phillips screwdriver)!

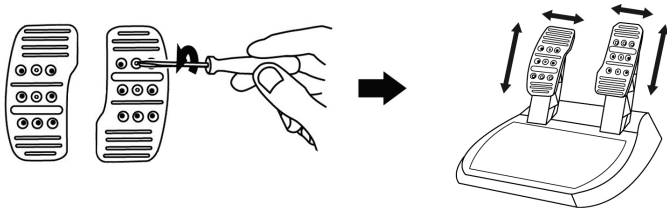
Stop turning the screw as soon as you feel some resistance.

ADJUSTING THE PEDALS' HEIGHT AND SPACING

Using a Phillips screwdriver (not included), remove the 2 attachment screws holding the pedal heads to the pedal arms.

Next, adjust the pedal heads' height and spacing to suit your preferred driving style:

- 6 different positions are available for the gas pedal.
- 6 different positions are available for the brake pedal.

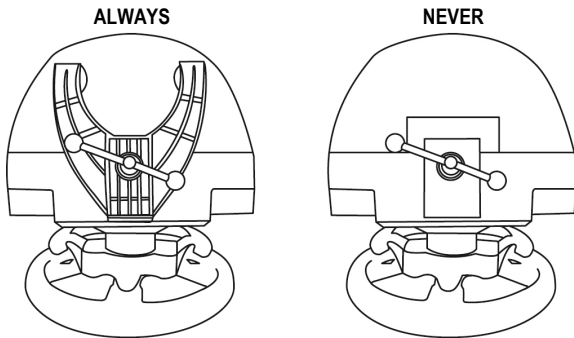


Once you are happy with the height and spacing, replace and re-tighten the 2 attachment screws holding the pedal heads to the pedal arms.

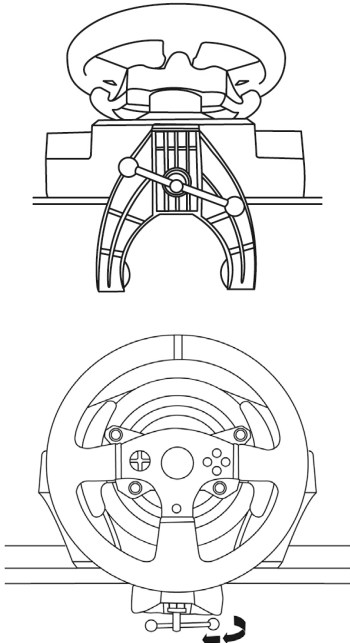
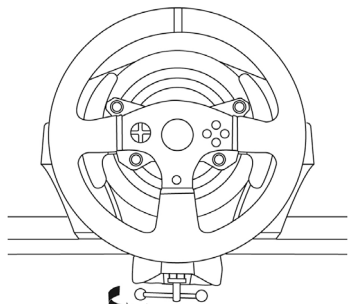
ATTACHING THE RACING WHEEL

Attaching the racing wheel to a table or a desktop

1. Place the racing wheel on a table or any other horizontal, flat and stable surface.
2. Insert the fastening screw (11) in the attachment system (10), then tighten the device by turning the screw counterclockwise, so that it feeds into the large threaded hole (9) located beneath the racing wheel, until the wheel is perfectly stable.



WARNING: Never tighten the screw alone, without the attachment system in place!
(This could damage the racing wheel.)

ATTACHMENT / REMOVAL	DIRECTION
<p><u>To tighten:</u></p> <p><i>Turn the screw counterclockwise</i></p>	
<p><u>To release:</u></p> <p><i>Turn the screw clockwise</i></p>	

Attaching the racing wheel's base to a cockpit

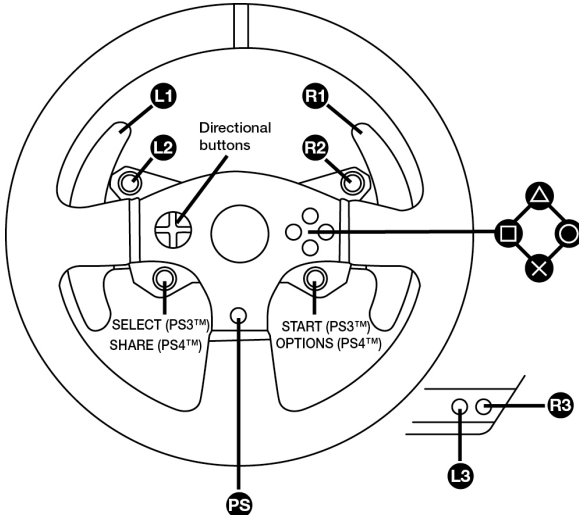
1. Place the racing wheel's base on the cockpit shelf.
2. Drive two M6 screws (not included) through the cockpit shelf, then feed them into the two small screw threads located on the underside of the racing wheel.
Important: The length of the two M6 screws must not exceed the thickness of the shelf + 12 mm; longer screws could cause damage to internal components located in the racing wheel's base.
3. If required, tighten the standard attachment system by inserting the fastening screw in the large threaded hole.

Attaching the pedal set to a cockpit

1. Attach the pedal set using the small screw threads located on its underside.
2. Drive two M6 screws (not included) through the cockpit shelf, then feed them into the two small screw threads located on the underside of the pedal set.
Important: The length of the two M6 screws must not exceed the thickness of the shelf + 10 mm; longer screws could cause damage to internal components located in the pedal set.

Layout diagrams for cockpits (for positioning the racing wheel's base and/or the pedal set) are available at <http://ts.thrustmaster.com>; in the **Updates and Downloads** section, click **PlayStation® / Wheels / T300 RS**, then select **Manual/Help file**.

PLAYSTATION®3 AND PLAYSTATION®4 MAPPING



SETTING UP THE RACING WHEEL FOR PLAYSTATION®3 OR PLAYSTATION®4

1. Connect the pedal set to the connector (17) located at the back of the racing wheel's base.
2. Connect the power supply cable to the connector (14) located at the back of the racing wheel's base.
3. Plug the power supply cable into an electrical outlet with the same voltage specifications.



For more information about this, please refer to the PLUGGING THE RACING WHEEL INTO AN ELECTRICAL OUTLET section, on page 3 in this manual.

4. Set the USB sliding switch (5) on the racing wheel's base to either the PS3™ or PS4™ position, depending on the console or the game you are using.
5. Connect the racing wheel's USB connector (15) to one of the console's USB ports.
6. Once your console is powered on, your racing wheel will calibrate itself automatically.
7. On PlayStation®4 (when the USB sliding switch is set to the PS4™ position): press the racing wheel's PS button (8) and sign in to your Sony Entertainment Network account, in order to be able to use the wheel.

You are now ready to play!

Important notes:

- The USB sliding switch (5) on the racing wheel's base must always be set to the proper position (PS3™ or PS4™) before connecting the wheel's USB cable to the console. To change the sliding switch's position, disconnect the USB cable from the console and then change the position of the switch before reconnecting the USB cable to the console.
- On PlayStation®3, the USB sliding switch (5) must always be set to the PS3™ position:
 - * The wheel is recognized in most games as a T500RS wheel.
 - * The wheel is functional in compatible games and in console menus.
 - * The "PS" function is functional on the wheel.
- On PlayStation®4, with the USB sliding switch (5) in the PS3™ position:
 - * The wheel is recognized in most games as a T500RS wheel.
 - * The wheel is functional in compatible games, but not in console menus.
 - * The "SHARE" and "PS" functions are not functional on the wheel.
- On PlayStation®4, with the USB sliding switch (5) in the PS4™ position:
 - * Don't forget to press the racing wheel's PS button (8) in order to be able to use the wheel.
 - * The wheel is recognized in most games as a T300 RS wheel.
 - * The wheel is functional in compatible games and in console menus.
 - * The "SHARE" and "PS" functions are functional on the wheel.
- *The list of PlayStation®3 and PlayStation®4 games compatible with the T300 RS (along with the required position for the USB sliding switch (5) according to the game being played) is available at:*

<http://ts.thrustmaster.com>

(in the Updates and Downloads section, click PlayStation®/ Wheels / T300 RS).

This list is updated regularly.

SETTING UP THE RACING WHEEL FOR PC

Important note:

On PC, the USB sliding switch (5) on the racing wheel's base must always be set to the PS3™ position.

1. Go to <http://ts.thrustmaster.com> to download the drivers and the Force Feedback software for PC. In the Updates and Downloads section, click PC / Wheels / T300 RS, then select Drivers.
2. Once the download is complete, launch the installation, and follow the on-screen instructions to connect the wheel's USB plug to your computer and complete the installation.
3. Once the installation is complete, click Finish and restart your computer.
4. Select Start / All Programs / Thrustmaster / FFB Racing Wheel / Control Panel to open the Game Controllers window.

The Game Controllers window displays the racing wheel's name T300 RS Racing Wheel with the status OK.

5. Click Properties to configure your wheel in the T300 RS control panel:

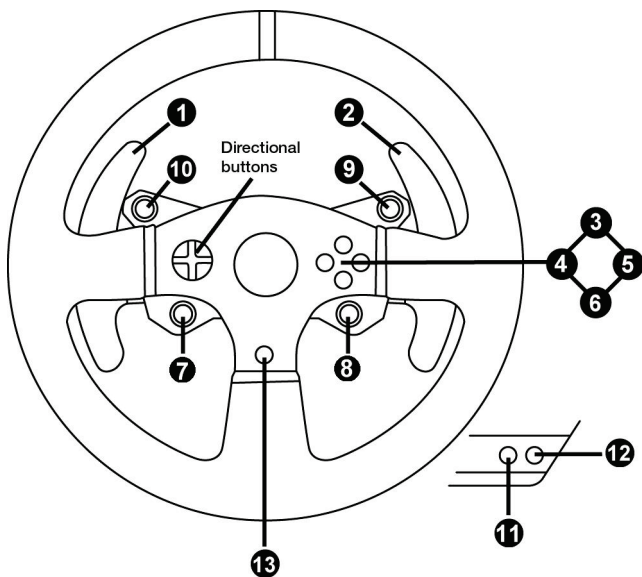
- Test Input tab: allows to test and view the action buttons, directional buttons, wheel and pedals axes, and to adjust the wheel's rotation angle in your PC games.
- Test Forces tab: allows to test 12 force feedback effects.
- Gain Settings tab: allows to adjust the power of the force feedback effects in your PC games.

You are now ready to play!

General notes:

- On PC, click OK to close the Game Controllers window before launching the game.
- On PC, the adjustments made in the Game Controllers window will only be saved on your computer (hence they will have no effect on PlayStation®3 or PlayStation®4).
- Your wheel's firmware version is displayed in the upper right-hand corner of the T300 RS control panel tabs.

PC MAPPING



ENGLISH

FRANÇAIS

DEUTSCH

NEDERLANDS

ITALIANO

ESPAÑOL

PORTUGUÊS

РУССКИЙ

ΕΛΛΗΝΙΚΑ

TÜRKÇE

POLSKI

AUTOMATIC RACING WHEEL AND PEDAL SET CALIBRATION

The wheel automatically self-calibrates when you plug the racing wheel into an electrical outlet and connect the racing wheel's USB connector to the console.

During this phase, the racing wheel will rotate quickly towards the left and the right, covering a 900 degree angle, before stopping at the centre.



WARNING:

Never touch the racing wheel during the self-calibration phase!
(This could result in improper calibration and/or personal injuries.)

AUTOMATIC CALIBRATION OF THE PEDAL SET

Never connect the pedal set to the racing wheel's base (or disconnect it from the base) when it is connected to the console or during gameplay (this could result in improper calibration).

Always connect the pedal set before connecting the racing wheel to the console.

Once the racing wheel's calibration is complete and the game has been started, the pedals are automatically calibrated after a few presses.



WARNING:

Never press the pedals during the racing wheel's self-calibration phase or while a game is loading!
(This could result in improper calibration.)

If your racing wheel and/or pedal set do not function correctly, or if they seem to be improperly calibrated:

Power off your console and completely disconnect the racing wheel. Then reconnect all cables (including the power supply cable and the pedal set), and restart your console and your game.

INTERNAL TEMPERATURE SENSOR

The wheel's cooling system is composed of a heat sink and a fan.

- A thermostat monitors the wheel's internal temperature.
- When you are using the wheel in a game:
 - The cooling fan starts up when the wheel has reached a certain temperature (after a few minutes of gameplay, depending on the strength of the Force Feedback effects used).
 - The power of the Force Feedback effects automatically decreases as soon as the wheel reaches a much higher temperature level (to protect the motor). The power of these effects automatically increases as soon as the temperature slightly decreases.
- When you're done playing: due to the motor's thermal inertia, the cooling fan continues to operate until the temperature drops below the fan's startup level. Your wheel has been designed in this way in order to facilitate cooling, and to protect the motor (this may take from 5 to 45 minutes, depending on the temperature reached while using the wheel in a game).

MODE BUTTON AND INDICATOR LIGHT (6)

MODE button for the pedal set

The pedal set included with the T300 RS features 2 pedals.

When using this pedal set, make sure that the indicator light remains red, or else the gas pedal will not function properly.

The T300 RS is also compatible with Thrustmaster pedal sets featuring 3 pedals (*sold separately*); these allow you to electronically swap the accelerator and clutch pedals.

To do so, simply press the MODE button (6) for 2 seconds.

The racing wheel's internal memory stores whether the pedals have been swapped around or not.

GAS AND CLUTCH PEDALS	Color of the MODE indicator light (6)
NORMAL	RED
SWAPPED AROUND	GREEN

Other hints regarding the MODE button

To learn more about the MODE button and indicator light, please visit <http://ts.thrustmaster.com>. In the **Updates and Downloads** section, click **PlayStation® / Wheels / T300 RS**, then select **Manual/Help** file.

COMPATIBILITY WITH THE THRUSTMASTER PRODUCT ECOSYSTEM

The base of the T300 RS is compatible with:

- The following detachable Thrustmaster wheels: "Ferrari F1 Wheel Add-on*", "Ferrari GTE Wheel Add-on*", "T300 RS PS Wheel", "T500 RS GT Wheel*".
- The "Base Fixed Paddle Shifters*" kit, which allows you to install fixed paddle shifters on the base.
- The following Thrustmaster pedal sets: "T3PA*" (Thrustmaster 3 Pedals Add-on) and the pedal set of the T500RS racing wheel.
- The following Thrustmaster shifters (gearboxes): "TH8A*" and "TH8RS*".

* Sold separately (for more information, please visit <http://www.thrustmaster.com/products/t300rs>).

HELP FILES AND FAQs (NOT INCLUDED IN THIS MANUAL)

Please visit <http://ts.thrustmaster.com>, and in the **Updates and Downloads** section, click **PlayStation® / Wheels / T300 RS**, then select **Manual/Help** file.

TECHNICAL SUPPORT

If you encounter a problem with your product, please go to <http://ts.thrustmaster.com> and click **Technical Support**. From there you will be able to access various utilities (Frequently Asked Questions (FAQ), the latest versions of drivers and software) that may help to resolve your problem. If the problem persists, you can contact the Thrustmaster products technical support service ("Technical Support"):

By email:

In order to take advantage of technical support by email, you must first register online. The information you provide will help the agents to resolve your problem more quickly. Click **Registration** on the left-hand side of the Technical Support page and follow the on-screen instructions. If you have already registered, fill in the **Username** and **Password** fields and then click **Login**.

By telephone:

Hours and days of operation and telephone numbers are subject to change. Please visit <http://ts.thrustmaster.com> for the most up-to-date Technical Support contact information.

United Kingdom	08450800942 Charged at local rate	Monday to Friday from 8 a.m. to 7 p.m.
Denmark	80887690 Free	Monday to Friday from 9 a.m. to 8 p.m. (English)
Sweden	0200884567 Free	Monday to Friday from 9 a.m. to 8 p.m. (English)
Finland	0800 913060 Free	Monday to Friday from 10 a.m. to 9 p.m. (English)

Consumer warranty information

Worldwide, Guillemot Corporation S.A. (hereinafter “Guillemot”) warrants to the consumer that this Thrustmaster product shall be free from defects in materials and workmanship, for a warranty period which corresponds to the time limit to bring an action for conformity with respect to this product. In the countries of the European Union, this corresponds to a period of two (2) years from delivery of the Thrustmaster product. In other countries, the warranty period corresponds to the time limit to bring an action for conformity with respect to the Thrustmaster product according to applicable laws of the country in which the consumer was domiciled on the date of purchase of the Thrustmaster product (if no such action exists in the corresponding country, then the warranty period shall be one (1) year from the original date of purchase of the Thrustmaster product).

Notwithstanding the above, rechargeable batteries are covered by a warranty period of six (6) months from the date of original purchase.

Should the product appear to be defective during the warranty period, immediately contact Technical Support, who will indicate the procedure to follow. If the defect is confirmed, the product must be returned to its place of purchase (or any other location indicated by Technical Support).

Within the context of this warranty, the consumer’s defective product shall, at Technical Support’s option, be either repaired or replaced. If permitted under applicable law, the full liability of Guillemot and its subsidiaries (including for consequential damages) is limited to the repair or replacement of the Thrustmaster product. If permitted under applicable law, Guillemot disclaims all warranties of merchantability or fitness for a particular purpose. The consumer’s legal rights with respect to laws applicable to the sale of consumer goods are not affected by this warranty.

This warranty shall not apply: (1) if the product has been modified, opened, altered, or has suffered damage as a result of inappropriate or abusive use, negligence, an accident, normal wear, or any other cause unrelated to a material or manufacturing defect (including, but not limited to, combining the Thrustmaster product with any unsuitable element, including in particular power supplies, rechargeable batteries, chargers, or any other elements not supplied by Guillemot for this product); (2) in the event of failure to comply with the instructions provided by Technical Support; (3) to software, said software being subject to a specific warranty; (4) to consumables (elements to be replaced over the product’s lifespan: disposable batteries, audio headset or headphone ear pads, for example); (5) to accessories (cables, cases, pouches, bags, wrist-straps, for example); (6) if the product was sold at public auction.

This warranty is nontransferable.

Liability

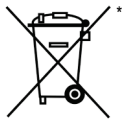
If permitted under applicable law, Guillemot Corporation S.A. (hereinafter “Guillemot”) and its subsidiaries disclaim all liability for any damages caused by one or more of the following: (1) the product has been modified, opened or altered; (2) failure to comply with assembly instructions; (3) inappropriate or abusive use, negligence, an accident (an impact, for example); (4) normal wear. If permitted under applicable law, Guillemot and its subsidiaries disclaim all liability for any damages unrelated to a material or manufacturing defect with respect to the product (including, but not limited to, any damages caused directly or indirectly by any software, or by combining the Thrustmaster product with any unsuitable element, including in particular power supplies, rechargeable batteries, chargers, or any other elements not supplied by Guillemot for this product).

COPYRIGHT

© 2014 Guillemot Corporation S.A. All rights reserved. Thrustmaster® is a registered trademark of Guillemot Corporation S.A. "PS", "PlayStation", "PS3" and "DOX" are registered trademarks of Sony Computer Entertainment, Inc. "PS4" is a trademark of the same company. All other trademarks are the property of their respective owners. Illustrations not binding. Contents, designs and specifications are subject to change without notice and may vary from one country to another. Made in China.

TouchSense® technology licensed from Immersion Corporation. Protected by one or more of the U.S. Patents found at the following address: www.immersion.com/patent-marking.html, and other patents pending.

ENVIRONMENTAL PROTECTION RECOMMENDATION



In the European Union: At the end of its working life, this product should not be disposed of with standard household waste, but rather dropped off at a collection point for the disposal of Waste Electrical and Electronic Equipment (WEEE) for recycling.

This is confirmed by the symbol found on the product, user manual or packaging.

Depending on their characteristics, the materials may be recycled. Through recycling and other forms of processing Waste Electrical and Electronic Equipment, you can make a significant contribution towards helping to protect the environment.

Please contact your local authorities for information on the collection point nearest you.

For all other countries: Please adhere to local recycling laws for electrical and electronic equipment.

Retain this information. Colours and decorations may vary.

Plastic fasteners and adhesives should be removed from the product before it is used.

www.thrustmaster.com

**Applicable to EU and Turkey only*



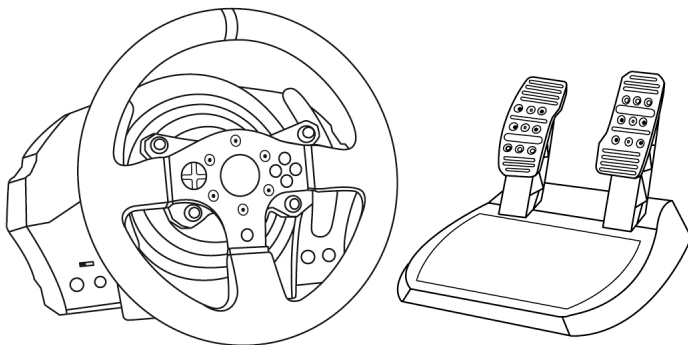
immersion.



T300RS

POUR PLAYSTATION®3 – PLAYSTATION®4

Manuel de l'utilisateur



ATTENTION :

Pour que le volant T300 RS fonctionne correctement avec les jeux PlayStation®3 ou PlayStation®4, il peut être nécessaire d'installer les mises à jour automatiques de ces jeux (disponibles lorsque votre console est connectée à Internet).

ENGLISH

FRANÇAIS

DEUTSCH

NEDERLANDS

ITALIANO

ESPAÑOL

PORTUGUÊS

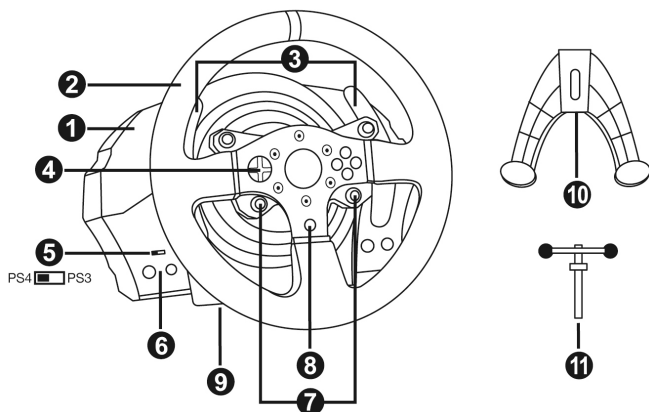
РУССКИЙ

ΕΛΛΗΝΙΚΑ

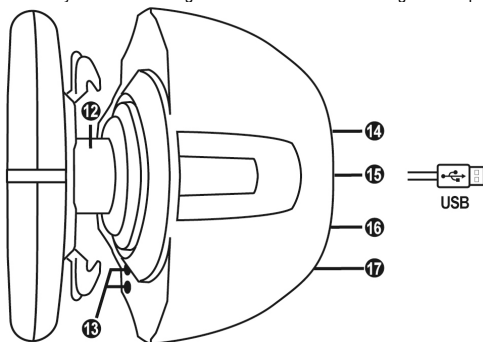
TÜRKÇE

POLSKI

CARACTÉRISTIQUES TECHNIQUES



- | | |
|--|--|
| <ul style="list-style-type: none"> 1 Base T300 RS 2 Roue PS 3 2 leviers séquentiels de changement de vitesse (Up & Down) 4 Croix multidirectionnelle 5 Sélecteur USB PS4™ ou PS3™ 6 Bouton MODE + Voyant lumineux rouge/vert | <ul style="list-style-type: none"> 7 Boutons SELECT/START sur PS3™ et SHARE/OPTIONS sur PS4™ 8 Bouton PS 9 Gros pas de vis (pour le système de fixation et la vis de serrage) 10 Système de fixation 11 Vis de serrage métallique |
|--|--|



- | | |
|---|--|
| <ul style="list-style-type: none"> 12 Thrustmaster Quick Release 13 Boutons L3 / R3 14 Connecteur type A ou B pour l'alimentation secteur (<i>diffère d'un pays à l'autre</i>) | <ul style="list-style-type: none"> 15 Câble et connecteur USB du volant 16 Connecteur pour la boîte de vitesses (<i>vendue séparément</i>) 17 Connecteur pour le pédalier |
|---|--|

RELIER LE VOLANT AU SECTEUR = A LIRE IMPERATIVEMENT

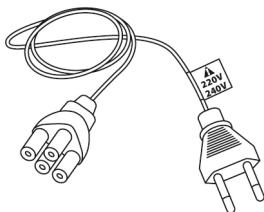
En fonction du pays où vous avez acheté votre volant, l'alimentation secteur de votre volant diffère. Elle est :

Soit interne avec :

* Boîtier d'alimentation directement dans la base du volant avec connecteur type A

* Câble d'alimentation secteur 220-240V.

= uniquement compatible avec du courant 220-240V.



Ne jamais brancher le câble 220-240V sur une prise de courant 100-130V !!!
Ne jamais relier ce câble à un adaptateur secteur !!!

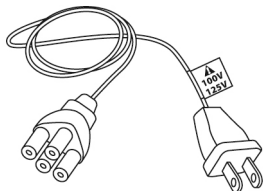


Soit interne avec :

* Boîtier d'alimentation directement dans la base du volant avec connecteur type A

* Câble d'alimentation secteur 100-125V.

= uniquement compatible avec du courant 100-125V.



Ne jamais brancher le câble 100-125V sur une prise de courant 220-240V !!!
Ne jamais relier ce câble à un adaptateur secteur !!!



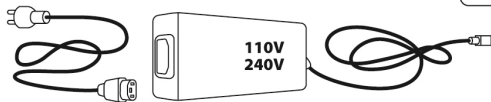
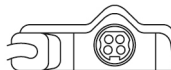
IMPORTANT : Si vous ne connaissez pas le voltage de la zone dans laquelle vous utilisez le volant, reportez-vous- au fournisseur local d'électricité.

Soit externe avec :

* Boîtier d'alimentation externe à la base du volant avec connecteur type B

* Câble d'alimentation secteur

= compatible avec tout type de courant 110-240V.



AVERTISSEMENTS

Avant d'utiliser ce produit, lisez attentivement cette documentation et conservez-la pour pouvoir la consulter ultérieurement.



Avertissement – Choc électrique

- * Conservez le produit dans un endroit sec et ne l'exposez ni à la poussière ni au soleil.
- * Ne tordez pas et ne tirez pas sur les connecteurs et câbles.
- * Ne renversez pas de liquide sur le produit et ses connecteurs.
- * Ne mettez pas le produit en court-circuit.
- * Ne démontez jamais le produit, ne le jetez pas au feu et ne l'exposez pas à des températures élevées.
- * N'utilisez pas de câble d'alimentation autre que celui fourni avec votre volant.
- * N'utilisez pas le câble d'alimentation secteur si celui-ci où ses connecteurs sont endommagés, fendus ou cassés.
- * Assurez-vous que le câble d'alimentation secteur est parfaitement inséré dans la prise murale et dans son connecteur situé à l'arrière de la base du volant.
- * N'ouvrez pas l'appareil. L'appareil ne contient pas de pièces réparables par l'utilisateur. Confiez toute réparation au fabricant, à une agence spécifiée ou un technicien qualifié.
- * Utilisez uniquement les systèmes de fixation /accessoires spécifiés par le fabricant.
- * Si le volant fonctionne de manière anormale (s'il émet des sons, de la chaleur ou des odeurs anormales), arrêtez immédiatement de l'utiliser, débranchez le câble d'alimentation de la prise électrique et déconnectez les autres câbles.
- * Lorsque vous n'utilisez pas le volant pendant une période prolongée, débranchez le câble d'alimentation secteur de la prise électrique.



Grilles d'aération

Veillez à n'obstruer aucune grille d'aération de la base du volant. Pour assurer une ventilation optimale, respectez les points ci-après :

- * Placez la base à 10 cm au moins d'une surface murale.
- * Ne placez pas la base dans un endroit exigü.
- * Ne couvrez pas la base.
- * Ne laissez pas la poussière s'accumuler sur les grilles d'aération.



Pour des raisons de sécurité, ne jouez pas pieds nus ou en chaussettes lorsque vous utilisez le pédalier.

THRUSTMASTER® DECLINE TOUTE RESPONSABILITE EN CAS DE BLESSURE SUITE A UNE UTILISATION DU PEDALIER SANS CHAUSSURES.



Avertissement – Blessures dues au retour de force et aux mouvements répétitifs

Jouer avec un volant à retour de force peut causer des douleurs aux muscles et aux articulations. Afin d'éviter tout problème :

- * Evitez les périodes trop longues de jeu.
- * Faites une pause de 10 à 15 minutes après chaque heure de jeu.
- * Si vous éprouvez fatigue ou douleur au niveau des mains, des poignets, des bras, des pieds ou des jambes, cessez de jouer et reposez-vous pendant quelques heures avant de recommencer à jouer.



Avertissement – Blessures dues au retour de force et aux mouvements répétitifs (suite)

- * Si les symptômes ou les douleurs indiqués ci-dessus persistent lorsque vous reprenez le jeu, arrêtez de jouer et consultez votre médecin.
- * Laissez hors de portée des enfants.
- * Lors des phases de jeu, laissez toujours vos deux mains correctement positionnées sur le volant sans jamais le lâcher complètement.
- * Lors des phases de jeu, ne placez jamais vos mains ou vos doigts sous les pédales ou à proximité du pédalier.
- * Lors des phases de calibration et de jeu, ne jamais introduire une main ou un bras à l'intérieur de la roue du volant.
- * Vérifiez que la base du volant est correctement fixée, conformément aux instructions du manuel.

PRODUIT LOURD



Produit à manipuler uniquement par des personnes âgées de 16 ans ou plus



Ne pas laisser tomber le produit sur vous ou une autre personne

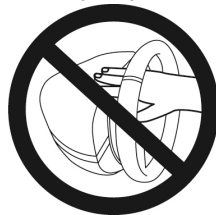
TOUJOURS



JAMAIS



JAMAIS





Avertissement – Risque de pincement au niveau du pédalier lors des phases de jeu

- * Laissez le pédalier hors de portée des enfants.
- * Lors des phases de jeu, ne placez jamais vos doigts sur ou à proximité des côtés des pédales.
- * Lors des phases de jeu, ne placez jamais vos doigts sur ou à proximité de la base arrière des pédales.
- * Lors des phases de jeu, ne placez jamais vos doigts sur ou à proximité de la base avant des pédales.

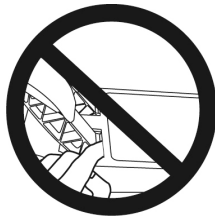
JAMAIS



JAMAIS



JAMAIS



Avertissement – Risque de pincement au niveau du pédalier lorsque vous n'utilisez pas le pédalier

- * Placez le pédalier dans un endroit sûr et hors de portée des enfants.

METTRE A JOUR LE FIRMWARE DU VOLANT

Le firmware inclus dans la base du volant peut être mis à jour (ce qui signifie qu'il peut être mis à jour par des versions plus récentes comportant des améliorations produits).

Pour afficher la version de firmware de votre volant et le mettre à jour si nécessaire : sur PC, allez sur <http://ts.thrustmaster.com>, dans la section **Mise à jour et téléchargement**, cliquez sur **PlayStation® / Volant / T300 RS** puis **Pilote/Firmware** et suivez les instructions et la procédure de téléchargement et d'installation.

INSTALLATION DE LA ROUE SUR SA BASE

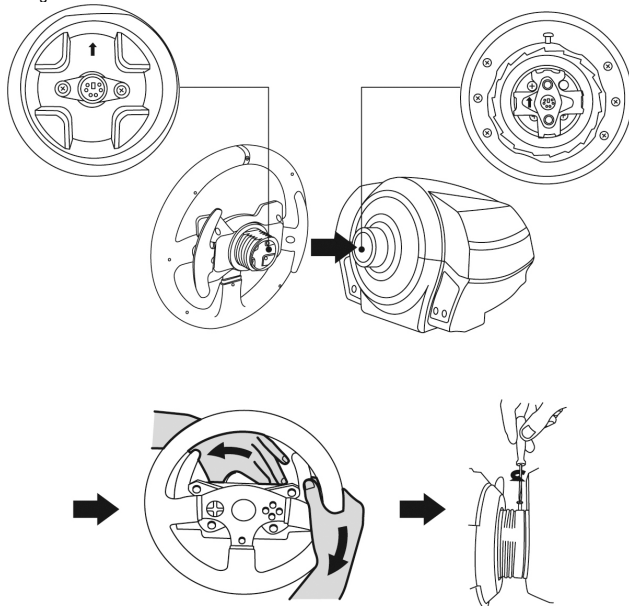
Alignez la position des connecteurs en vous aidant des flèches :

Connecteur de la base (1): Flèche vers le haut

Connecteur de la roue (2): Flèche vers le haut

Une fois les connecteurs mis en place, il vous suffit de tourner la bague du Thrustmaster Quick Release (12) dans le sens inverse des aiguilles d'une montre tout en maintenant la roue (2) fixe.

Puis serrez fortement (et au maximum) la bague en la maintenant fixe et en tournant le volant dans le sens des aiguilles d'une montre.



Lorsque la roue est installée, tournez-la de 180° (vu de face, le logo PlayStation® doit être à l'envers) afin d'accéder à la petite vis de fixation située sur la bague du Thrustmaster Quick Release (12). A l'aide d'un gros tournevis cruciforme, vissez sans forcer la petite vis de fixation dans le sens des aiguilles d'une montre.



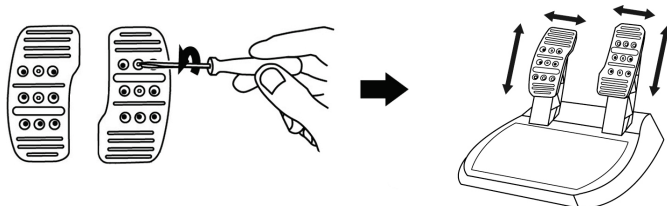
**Ne pas forcer lorsque vous revissez (à l'aide d'un tournevis cruciforme)
la petite vis de fixation = arrêtez de visser dès que vous sentez une résistance.**

AJUSTEMENT DES PEDALES EN HAUTEUR ET EN ECARTEMENT

A l'aide d'un tournevis cruciforme (non fourni), retirez les 2 vis de fixation situées sur les palettes des pédales.

Ajustez à votre convenance la hauteur et l'écartement des pédales :

- 6 positions sont possibles pour la pédale d'accélérateur
- 6 positions sont possibles pour la pédale de frein

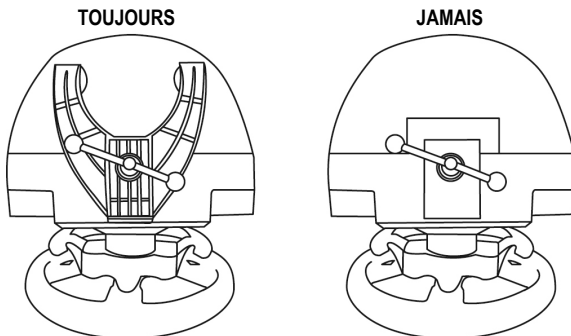


Lorsque la hauteur et l'écartement des pédales sont ajustés, remettez en place et serrez les 2 vis de fixation sur les palettes des pédales.

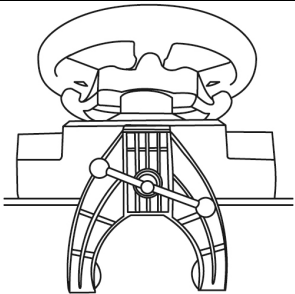
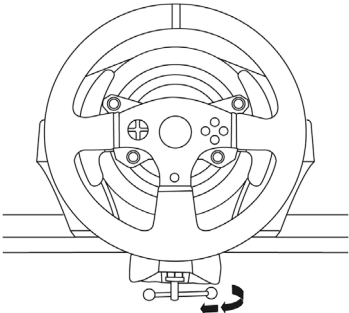
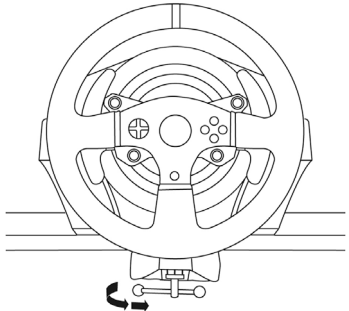
FIXATION DU VOLANT

Fixer le volant sur une table ou un bureau

1. Placez le volant sur une table ou autre surface plane.
2. Placez la vis de serrage (11) dans le système de fixation (10), puis vissez l'ensemble (dans le sens inverse des aiguilles d'une montre) dans le gros pas de vis (9) situé sous le volant, jusqu'à ce que ce dernier soit parfaitement stable.



ATTENTION : Ne jamais visser la vis de serrage seule sans le système de fixation !
(au risque de détériorer le volant).

MONTAGE / DEMONTAGE	SENS
<p><u>Pour serrer :</u></p> <p>Vissez dans le sens inverse des aiguilles d'une montre</p>	 
<p><u>Pour desserrer :</u></p> <p>Dévissez dans le sens des aiguilles d'une montre</p>	

Fixer la base du volant sur un cockpit

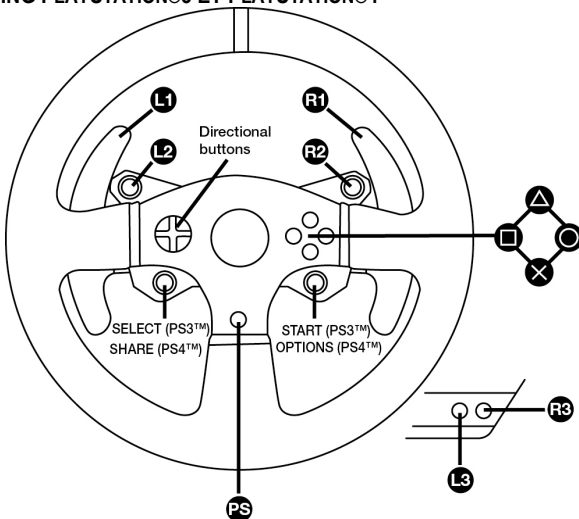
1. Placez la base du volant sur la tablette du cockpit
2. Vissez 2 vis M6 (non fournies) dans la tablette du cockpit et dans les 2 petits pas de vis situés sous le volant.
Important : La longueur de ces 2 vis M6 ne doit pas dépasser l'épaisseur de votre support +12 mm pour ne pas endommager les composants internes à la base.
3. Si nécessaire, vissez en plus le système de fixation classique (dans le gros pas de vis).

Fixer le pédalier sur un cockpit

1. Fixez le pédalier à l'aide des petits pas de vis situés sous ce dernier.
2. Vissez 2 vis M6 (non fournies) dans la tablette du cockpit et dans les 2 petits pas de vis situés sous le pédalier.
Important : La longueur de ces 2 vis M6 ne doit pas dépasser l'épaisseur de votre support +10 mm pour ne pas endommager les composants internes au pédalier.

Plan d'implantation (de la base ou du pédalier) pour les cockpits disponible sur <http://ts.thrustmaster.com>, (dans la rubrique PlayStation® / Volants / T300 RS / Manuel – Fichier Aide)

MAPPING PLAYSTATION®3 ET PLAYSTATION®4



INSTALLATION SUR PLAYSTATION®3 OU PLAYSTATION®4

1. Reliez le pédalier à son connecteur (17) situé à l'arrière de la base du volant.
2. Reliez le câble d'alimentation à son connecteur (14) situé à l'arrière de la base du volant.
3. Reliez le câble d'alimentation sur une prise de courant ayant le même voltage.



Pour plus d'informations sur ce point, reportez-vous au chapitre RELIER LE VOLANT AU SECTEUR (p.3 de ce manuel).

4. Positionnez le sélecteur USB (5) de la base du volant en position PS3™ ou PS4™ en fonction de la console ou du jeu utilisé(e).
5. Branchez le connecteur USB (15) du volant sur l'un des ports USB de la console.
6. Une fois votre console allumée, votre volant s'autocalibre de manière automatique.
7. Sur PlayStation®4 (lorsque le sélecteur USB est en position PS4™), appuyez sur le bouton PS (8) du volant, puis connectez-vous à votre compte Sony Entertainment Network pour que votre volant soit fonctionnel.

Vous êtes maintenant prêt à jouer !

Remarques importantes :

- Le sélecteur USB (5) de la base du volant du toujours être positionné dans la bonne position (PS3™ ou PS4™) avant de brancher l'USB du volant à la console.
Pour changer de position, débranchez le câble USB, puis changez la position du sélecteur avant de rebrancher le câble USB à la console.

- Sur PlayStation®3, le sélecteur USB (5) doit toujours être en position PS3™ :

* Le volant est reconnu dans la plupart des jeux comme un volant T500RS.

* Le volant est fonctionnel dans les jeux compatibles et dans les menus de la console.

* La fonction PS est fonctionnelle sur le volant.

- Sur PlayStation®4, avec le sélecteur USB (5) en position PS3™ :

* Le volant est reconnu dans la plupart des jeux comme un volant T500RS.

* Le volant est fonctionnel dans les jeux compatibles mais pas dans les menus de la console.

* Les fonctions SHARE et PS ne sont pas fonctionnelles sur le volant.

- Sur PlayStation®4, avec le sélecteur USB (5) en position PS4™ :

* N'oubliez pas d'appuyer sur bouton PS (8) du volant pour que celui-ci soit fonctionnel.

* Le volant est reconnu dans la plupart des jeux comme un volant T300 RS.

* Le volant est fonctionnel dans les jeux compatibles et dans les menus de la console.

* Les fonctions SHARE et PS sont fonctionnelles sur le volant.

- La liste des jeux PlayStation®3 et PlayStation®4 compatibles avec le T300 RS (ainsi que la position nécessaire du sélecteur USB en fonction du jeu utilisé) est disponible ici :

<http://ts.thrustmaster.com> (dans la rubrique PlayStation® / Volants / T300 RS).

Cette liste est régulièrement mise à jour.

INSTALLATION SUR PC

Remarque importante :

Pour fonctionner sur PC, le sélecteur USB (5) de la base du volant doit toujours être en position PS3™.

1. Allez sur <http://ts.thrustmaster.com> pour télécharger les pilotes et le logiciel Force Feedback pour PC. Dans la section Mise à jour et téléchargement, cliquez sur PC / Volants / T300 RS, puis Pilotes.

2. Une fois le téléchargement terminé, lancez l'installation, puis suivez les instructions affichées à l'écran pour brancher le connecteur USB du volant sur votre PC et pour terminer l'installation.

3. Une fois l'installation terminée, cliquez sur Terminer et redémarrez votre ordinateur.

4. Sélectionnez Démarrer / Tous les programmes / Thrustmaster / FFB Racing Wheel / Panneau de configuration pour ouvrir la fenêtre Contrôleurs de jeu.

La fenêtre Contrôleurs de jeu affiche le nom du volant Thrustmaster T300 RS Racing Wheel avec l'état OK.

5. Cliquez sur Propriétés pour configurer votre volant dans le panneau de configuration du T300 RS :

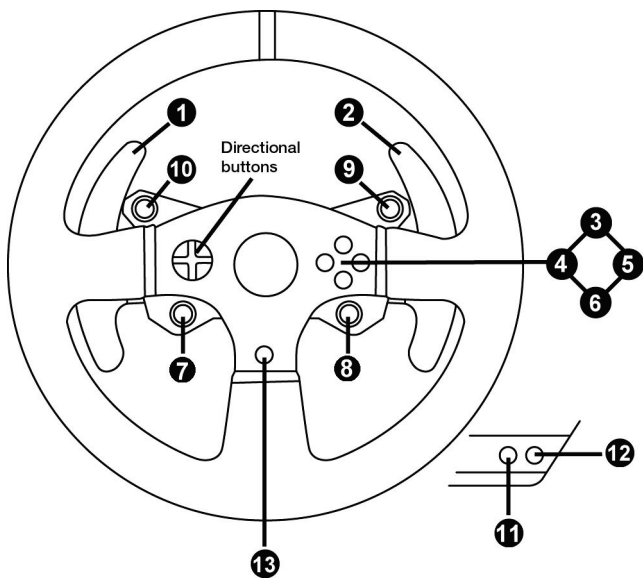
- Onglet Test du périphérique : permet de tester et visualiser les boutons, la croix multidirectionnelle, les axes du volant et du pédalier, et d'ajuster l'angle de rotation du volant dans vos jeux PC.
- Onglet Tester les forces : permet de tester 12 effets de retour de force.
- Onglet Ajuster les forces : permet d'ajuster la puissance des effets de retour de force dans vos jeux PC.

Vous êtes maintenant prêt à jouer !

Remarques générales :

- Sur PC, pensez à toujours fermer complètement la fenêtre Contrôleurs de jeu en cliquant sur OK avant de lancer votre jeu.
- Sur PC, les réglages et ajustements effectués dans la fenêtre Contrôleurs de jeu ne seront sauvegardés que sur votre PC (et n'auront donc aucune incidence sur PlayStation®3 ou PlayStation®4).
- La version du firmware de votre volant apparaît en haut à droite dans les onglets du panneau de configuration T300 RS.

MAPPING PC



CALBRAGE AUTOMATIQUE DU VOLANT ET DES PEDALES

La roue du volant s'autocalibre de manière automatique une fois le volant relié au secteur et le connecteur USB connecté.

Cette opération entraîne des mouvements rapides du volant de gauche à droite sur 900° avant de s'immobiliser au centre.



ATTENTION :

**Lors des phases d'autocalibration de la roue du volant, ne jamais toucher au volant
(au risque de fausser la calibration ou de se blesser).**

CALBRAGE AUTOMATIQUE DES PEDALES

Ne jamais débrancher ou brancher le pédalier de la base du volant lorsque celui-ci est connecté à la console ni en cours de jeu (pour ne pas fausser la calibration)

= le pédalier doit toujours être branché avant de relier le volant à la console.

Une fois le volant autocalibré et le jeu lancé, les pédales se calibrent automatiquement après quelques pressions.



ATTENTION :

**Lors des phases d'autocalibration de la roue du volant et lorsque votre jeu se lance,
ne jamais appuyer sur les pédales
(au risque de fausser la calibration)**

Si votre volant et vos pédales ne fonctionnent pas correctement ou semblent mal calibrés :

Eteignez votre console, déconnectez entièrement votre volant, reconnectez tous les câbles (avec le câble d'alimentation secteur et le pédalier), redémarrez et relancez votre jeu.

CAPTEUR DE TEMPERATURE INTERNE

Le système de refroidissement du volant est composé d'un radiateur et d'un ventilateur.

- Un thermostat calcule la température interne du volant.

- En phase de jeu :

- Le ventilateur de refroidissement se met en marche dès que le volant atteint un certain niveau de température (= après quelques minutes de jeu en fonction de la puissance des effets de retour de force utilisés).

- La puissance des effets de retour de force diminue automatiquement dès que le volant atteint un niveau de température beaucoup plus élevé (afin de protéger le moteur). La puissance de ces effets remonte automatiquement dès que la température redescend légèrement.

- Après la phase de jeu, en raison de l'inertie thermique du moteur, le ventilateur de refroidissement reste en marche jusqu'à ce que la température redescende au niveau de mise en marche, le tout afin de faciliter le refroidissement et de protéger le moteur (= cela peut prendre de 5 à 45 mn en fonction du niveau de température atteint pendant la phase de jeu).

BOUTON MODE ET SON VOYANT LUMINEUX (6)

Bouton MODE pour le pédalier

Le pédalier livré par défaut avec le T300 RS est de type 2 pédales.

Avec ce pédalier, la couleur du voyant lumineux doit toujours être rouge, sinon la pédale d'accélérateur ne fonctionnera pas.

Le T300 RS est également compatible avec des pédaliers Thrustmaster 3 pédales (*vendus séparément*) dont vous pouvez inverser électroniquement la pédale d'accélérateur et d'embrayage.

Pour ce faire, appuyez simplement sur le bouton MODE (6) pendant 2 secondes.

L'inversion ou non des pédales est alors instantanément enregistrée dans la mémoire interne du volant.

PEDALE D'ACCELERATEUR ET D'EMBRAYAGE	Couleur du voyant lumineux MODE (6)
NORMALE	ROUGE
INVERSEE	VERT

Autres astuces pour le bouton MODE

Pour profiter d'autres astuces concernant le bouton MODE et son voyant lumineux, allez sur

<http://ts.thrustmaster.com>. Dans la section **Mise à jour et téléchargement**, cliquez sur **PlayStation® / Volant / T300 RS** puis **Manuel / Fichier Aide**.

COMPATIBILITE AVEC L'ECOSYSTEME THRUSTMASTER

La base du T300 RS est compatible avec :

- Les roues détachables Thrustmaster : Ferrari F1 Wheel Add-on** ; Ferrari GTE Wheel Add-on** ; T300 RS PS Wheel, T500RS GT Wheel**).
- Le kit Base Fixed Paddle Shifters** : pour installer des palettes de vitesses fixes sur la base.
- Les pédaliers Thrustmaster : T3PA** (Thrustmaster 3 Pedals Add-on) et le pédalier du T500RS.
- Les boîtes de vitesses Thrustmaster : TH8A** et TH8RS**.

** Vendus séparément (plus d'infos sur <http://www.thrustmaster.com/products/t300rs>)

AIDES & FAQ DIVERSES (non notifiées dans ce manuel)

Allez sur <http://ts.thrustmaster.com>. Dans la section **Mise à jour et téléchargement**, cliquez sur **PlayStation® / Volant / T300 RS** puis **Manuel / Fichier Aide**.

SUPPORT TECHNIQUE

Si vous rencontrez un problème avec votre produit, rendez-vous sur le site <http://ts.thrustmaster.com> et cliquez sur **Support Technique**. Vous aurez alors accès à différents services (Foire Aux Questions (FAQ), dernières versions des pilotes et logiciels) susceptibles de résoudre votre problème. Si le problème persiste, vous pouvez contacter le support technique des produits Thrustmaster (« Support Technique ») :

Par e-mail :

Pour bénéficier du support technique par e-mail, vous devez d'abord vous enregistrer en ligne. Les informations fournies vont permettre aux techniciens de résoudre plus rapidement votre problème. Cliquez sur **Enregistrement** à gauche de la page Support technique et suivez les instructions à l'écran. Si vous êtes déjà enregistré, renseignez les champs **Nom d'utilisateur** et **Mot de passe** puis cliquez sur **Connexion**.

Par téléphone (si vous n'avez pas d'accès Internet) :

Jours, horaires et numéros de téléphone susceptibles de changer. Veuillez consulter <http://ts.thrustmaster.com> pour obtenir une liste à jour.

France	02 99 93 21 33 Numéro fixe France Telecom non surtaxé. Tarif selon opérateur	Du lundi au vendredi de 9h à 20h
Suisse	0842 000 022 Tarif d'une communication locale	Du lundi au vendredi de 9h à 20h
Belgique	078 16 60 56 Tarif d'une communication nationale	Du lundi au vendredi de 9h à 20h
Luxembourg	80028612 Gratuit	Du lundi au vendredi de 9h à 20h

Informations relatives à la garantie aux consommateurs

Dans le monde entier, Guillemot Corporation S.A. (ci-après « Guillemot ») garantit au consommateur que le présent produit Thrustmaster est exempt de défaut matériel et de vice de fabrication, et ce, pour une période de garantie qui correspond au délai pour intenter une action en conformité de ce produit. Dans les pays de l'Union Européenne, ce délai est de deux (2) ans à compter de la délivrance du produit Thrustmaster. Dans les autres pays, la durée de la période de garantie correspond au délai pour intenter une action en conformité du produit Thrustmaster selon la législation en vigueur dans le pays où le consommateur avait son domicile lors de l'achat du produit Thrustmaster (si une telle action en conformité n'existe pas dans ce pays alors la période de garantie est de un (1) an à compter de la date d'achat d'origine du produit Thrustmaster). Nonobstant ce qui précède, les batteries sont garanties six (6) mois à compter de la date d'achat d'origine.

Si, au cours de la période de garantie, le produit semble défectueux, contactez immédiatement le Support Technique qui vous indiquera la procédure à suivre. Si le défaut est confirmé, le produit devra être retourné à son lieu d'achat (ou tout autre lieu indiqué par le Support Technique).

Dans le cadre de la garantie, le consommateur bénéficiera, au choix du Support Technique, du remplacement ou de la réparation du produit défectueux. Lorsque la loi applicable l'autorise, toute responsabilité de Guillemot et ses filiales (y compris pour les dommages indirects) se limite à la réparation ou au remplacement du produit Thrustmaster. Lorsque la loi applicable l'autorise, Guillemot exclut toutes garanties de qualité marchande ou d'adaptation à un usage particulier. Les droits légaux du consommateur au titre de la législation applicable à la vente de biens de consommation ne sont pas affectés par la présente garantie.

Cette garantie ne s'appliquera pas : (1) si le produit a été modifié, ouvert, altéré, ou a subi des dommages résultant d'une utilisation inappropriée ou abusive, d'une négligence, d'un accident, de l'usure normale, ou de toute autre cause non liée à un défaut matériel ou à un vice de fabrication (y compris, mais non limitativement, une combinaison du produit Thrustmaster avec tout élément inadapté, notamment alimentations électriques, batteries, chargeurs, ou tous autres éléments non-fournis par Guillemot pour ce produit) ; (2) en cas de non respect des instructions du Support Technique ; (3) aux logiciels, lesdits logiciels faisant l'objet d'une garantie spécifique ; (4) aux consommables (éléments à remplacer pendant la durée de vie du produit : piles, coussinets de casque audio, par exemple) ; (5) aux accessoires (câbles, étuis, housses, sacs, dragonnes, par exemple) ; (6) si le produit a été vendu aux enchères publiques.

Cette garantie n'est pas transférable.

Responsabilité

Lorsque la loi applicable l'autorise, Guillemot Corporation S.A. (ci-après « Guillemot ») et ses filiales excluent toute responsabilité pour tous dommages causés par un ou plusieurs des faits suivants: (1) le produit a été modifié, ouvert, altéré, (2) l'irrespect des instructions de montage, (3) l'utilisation inappropriée ou abusive, la négligence, l'accident (un choc, par exemple), (4) l'usure normale du produit. Lorsque la loi applicable l'autorise, Guillemot et ses filiales excluent toute responsabilité pour tout dommage dont la cause n'est pas liée à un défaut matériel ou à un vice de fabrication du produit (y compris, mais non limitativement, tout dommage causé directement ou indirectement par tout logiciel, ou par une combinaison du produit Thrustmaster avec tout élément inadapté, notamment alimentations électriques, batteries, chargeurs, ou tous autres éléments non-fournis par Guillemot pour ce produit).

COPYRIGHT

© 2014 Guillemot Corporation S.A. Tous droits réservés. Thrustmaster® est une marque déposée de Guillemot Corporation S.A. "PS", "PlayStation", "PS3" et "ΔOX□" sont des marques déposées de Sony Computer Entertainment Inc. "PS4" est une marque de la même société. Toutes les autres marques sont la propriété de leurs propriétaires respectifs. Illustrations non contractuelles. Le contenu, la conception et les spécifications sont susceptibles de changer sans préavis et de varier selon les pays. Fabriqué en Chine.
Technologie TouchSense® sous licence d'Immerision Corporation. Protégée par un ou plusieurs brevets américains dont la liste est disponible à l'adresse www.immerision.com/patent-marking.html, et d'autres brevets en attente.

RECOMMANDATION RELATIVE A LA PROTECTION DE L'ENVIRONNEMENT



* Dans l'Union Européenne : En fin de vie, ce produit ne doit pas être éliminé avec les déchets ménagers normaux mais déposé à un point de collecte des déchets d'équipements électriques et électroniques en vue de son recyclage. Ceci est confirmé par le symbole figurant sur le produit, le manuel utilisateur ou l'emballage.

En fonction de leurs caractéristiques, les matériaux peuvent être recyclés. Par le recyclage et par les autres formes de valorisation des déchets d'équipements électriques et électroniques, vous contribuez de manière significative à la protection de l'environnement. Veuillez consulter les autorités locales qui vous indiqueront le point de collecte concerné.

Dans les autres pays : Veuillez vous reporter aux législations locales relatives au recyclage des équipements électriques et électroniques.

Informations à conserver. Les couleurs et décorations peuvent varier.

Il est recommandé de retirer les attaches en plastique et les adhésifs avant d'utiliser le produit.

www.thrustmaster.com

**Applicable à l'UE et la Turquie uniquement*



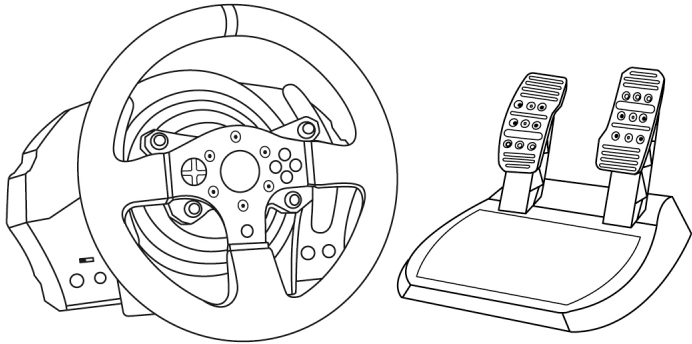
immerision.



T300RS

FÜR PLAYSTATION®3 – PLAYSTATION®4

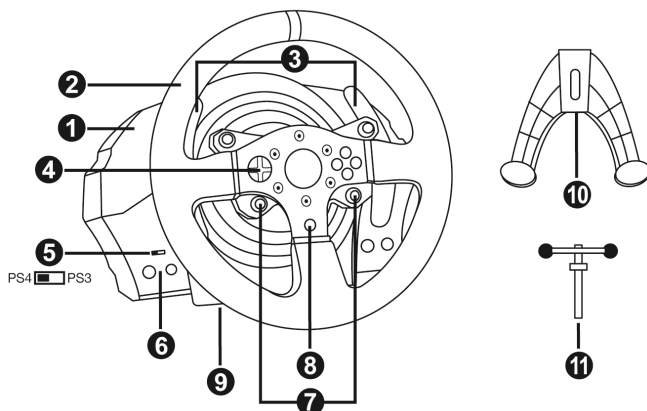
Benutzerhandbuch



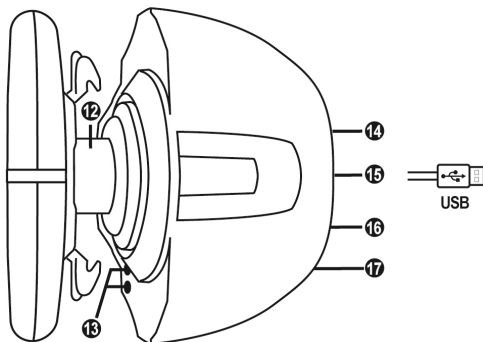
ACHTUNG!

Um sicher zustellen, daß Ihr T300 RS Rennlenker mit Spielen für die PlayStation®3 oder PlayStation®4 korrekt funktioniert, ist es eventuell erforderlich die automatischen Aktualisierungen für das Spiel zu installieren.
(Verfügbar, wenn Ihre Konsole mit dem Internet verbunden ist.)

TECHNISCHE SPEZIFIKATIONEN



- | | |
|---|--|
| <ul style="list-style-type: none"> 1 T300 RS Basis 2 PS Lenkkranz 3 2 sequenzielle Schaltwippen (Hoch & Runter) 4 Multidirektionales D-Pad 5 PS4™ oder PS3™ USB-Wahlschalter 6 MODE Button + Rot/Grün Leuchtanzeige | <ul style="list-style-type: none"> 7 SELECT/START Buttons auf PS3™ und SHARE/OPTIONS auf PS4™ 8 PS-Button 9 Großes Schraubgewinde (für Befestigungssystem und Feststellschraube) 10 Befestigungssystem 11 Metallene Feststellschraube |
|---|--|



- | | |
|--|---|
| <ul style="list-style-type: none"> 12 Thrustmaster Quick Release 13 L3/R3 Buttons 14 Stromanschluss (Typ A oder B)
(Von Land zu Land unterschiedlich) | <ul style="list-style-type: none"> 15 USB-Kabel und Stecker des Rennlenkers 16 Getriebe-Anschluss
(Separat erhältlich) 17 Pedalset-Anschluss |
|--|---|

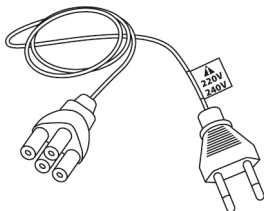
ANSCHLUSS DES RENNLENKERS AN DAS STROMNETZ: BITTE SORGFÄLTIG LESEN!

Der Stromanschluss ihres Rennlenkers variiert je nach Land in dem Sie ihr Gerät erworben haben. Der Stromanschluss kann folgendermaßen sein:

Intern mit:

* einer Netzstromanschluss-Buchse in der Lenkerbasis vom Typ A
* und einem 220-240V Stromkabel

= ausschließlich nur mit 220-240V Netzspannung zu verwenden.



Das 220-240V Kabel niemals an eine 100-130V Steckdose anschließen!

Dieses Kabel niemals an einen Stromadapter anschließen!!!

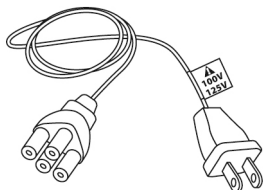


Intern mit:

* einer Netzstromanschluss-Buchse in der Lenkerbasis vom Typ A

* und einem 100-125V Stromkabel.

= Ausschließlich nur mit 100-125V Netzspannung zu verwenden.



Das 100-125V Kabel niemals an eine 220-240V Steckdose anschließen!

Dieses Kabel niemals an einen Stromadapter anschließen!!!



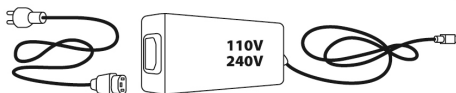
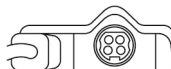
WICHTIG: Falls Sie die Stromstärke der Gegend, in der Sie den Rennlenker benutzen wollen, nicht kennen, fragen Sie bitte bei Ihrem Stromanbieter nach.

Extern mit:

* einem externen Netzteil mit einem Stecker des Typs B.

* Einem Stromkabel.

= Passend für alle Stromstärken von 110-240V.



WARNHINWEISE

Bevor Sie dieses Produkt benutzen, lesen Sie bitte diese Dokumentation sorgfältig durch und bewahren Sie diese sicher auf, falls Sie später etwas nachlesen müssen.



Warnung – elektrischer Schlag

- * Lagern Sie das Produkt an einem trockenen Ort und setzen Sie es weder Staub noch direktem Sonnenlicht aus.
- * Verdrehen Sie keine Kabel oder ziehen direkt an deren Steckern.
- * Schütten Sie keine Flüssigkeiten auf das Produkt oder dessen Anschlüsse.
- * Schließen Sie das Produkt nicht kurz.
- * Zerlegen Sie das Produkt niemals, werfen es ins Feuer oder setzen es hohen Temperaturen aus.
- * Nutzen Sie kein anderes Stromkabel als das mitgelieferte.
- * Nutzen Sie das Stromkabel nicht, wenn dieses oder dessen Stecker brüchig oder beschädigt ist.
- * Stellen Sie sicher, daß das Netzkabel richtig in die Steckdose gesteckt wurde und korrekt mit dem rückwärtigen Anschluss an der Rennlenkerbasis verbunden ist.
- * Öffnen Sie niemals den Rennlenker. Es befinden sich keine vom Benutzer austauschbare Teile im Innern. Jedwede Reparaturen müssen von einer vom Hersteller angegebenen Werkstatt oder einem qualifizierten Techniker ausgeführt werden.
- * Nutzen Sie ausschließlich vom Hersteller empfohlene Befestigungssysteme/Accessoires.
- * Falls der Lenker sich ungewöhnlich verhält (seltsame Geräusche, Hitze oder Gerüche abgibt), stoppen Sie sofort dessen Benutzung, trennen das Stromkabel vom Netz und ziehen alle anderen Kabel ab.
- * Sollten Sie den Lenker für eine längere Zeit nicht benutzen, trennen Sie diesen vom Stromnetz.



Lüftungsschlitze

Achten Sie darauf keine der Lüftungsschlitze an der Lenkerbasis zu verdecken. Für eine optimale Belüftung beachten Sie bitte die folgenden Hinweise:

- * Stellen Sie die Basis mindestens 10 cm entfernt von Wänden auf.
- * Stellen Sie die Basis nicht in engen Zwischenräumen auf.
- * Decken Sie die Basis niemals ab.
- * Vermeiden Sie auf jeden Fall Staubbildung an den Lüftungsschlitzen.



**Benutzen Sie aus Sicherheitsgründen das Pedalset niemals barfuß oder in Socken.
THRUSTMASTER® ÜBERNIMMT KEINERLEI HAFTUNG BEI VERLETZUNGEN DURCH
EINSATZ DES PEDALSETS OHNE SCHUHE.**



Warnung - Verletzungen durch Force Feedback und wiederholte Bewegungen

Spielen mit einem Force-Feedback-Lenkrad kann Muskel- oder Gelenkschmerzen verursachen. Um Probleme zu vermeiden:

- * Vermeiden Sie längere Spielzeiten.
- * Pausieren Sie für 10 bis 15 Minuten nach einer Stunde Spiel.
- * Wenn Sie irgendeine Müdigkeit oder Schmerzen in den Händen, Handgelenken, Armen, Beinen oder Füßen fühlen, unterbrechen Sie das Spiel und ruhen für ein paar Stunden, bevor Sie wieder zu spielen beginnen.



**Achtung – Verletzungen durch Force Feedback und wiederholte Bewegungen
(Fortsetzung)**

- * Wenn Sie wieder zu spielen beginnen und die oben beschriebenen Symptome oder Schmerzen weiterbestehen, unterbrechen Sie das Spiel und konsultieren Sie Ihren Arzt.
- * Außerhalb der Reichweite von Kindern aufbewahren.
- * Lassen Sie immer beide Hände während des Spielens am Lenkrad positioniert, ohne dieses völlig loszulassen.
- * Plazieren Sie Ihre Hände oder Finger während des Spielens niemals unter die Pedale oder in deren Nähe.
- * Stecken Sie weder Ihren Arm noch Ihre Hand während der Kalibrierung oder im Spiel durch die Speichen des Lenkkranses.
- * Überprüfen Sie den festen Sitz der Lenkerbasis entsprechend der Anleitungen dieses Handbuchs.



Produkt nur für den Gebrauch von Personen
über 16 Jahre oder älter

SCHWERES PRODUKT



Lassen Sie das Produkt niemals auf sich
oder andere fallen!

IMMER



NIE



NIE





Achtung – Quetschgefahr am Pedalset während des Spielens

- * Bewahren Sie das Pedalset außerhalb der Reichweite von Kindern auf.
- * Bringen Sie während des Spielens niemals Ihre Finger auf oder in die Nähe der Seiten der Pedale.
- * Bringen Sie während des Spielens niemals Ihre Finger auf oder in die Nähe der Pedalrückseite.
- * Bringen Sie während des Spielens niemals Ihre Finger auf oder in die Nähe der Pedalvorderseite.



Achtung – Quetschgefahr am Pedalset nach dem Spielen

- * Bewahren Sie das Pedalset sicher außerhalb der Reichweite von Kindern auf.

AKTUALISIEREN DER FIRMWARE IHRES RENNLENKERS

Die in Ihrer Rennlenkerbasis enthaltene Firmware kann durch eine produktverbessernde und aktuellere Firmware aktualisiert werden.

Um die aktuelle Version der Firmware Ihres Rennlenkers anzuzeigen und ob eine Aktualisierung eventuell verfügbar ist, rufen Sie auf Ihrem PC die Website <http://ts.thrustmaster.com> auf. In der Sektion **Updates und Downloads** klicken Sie bitte auf **PlayStation® / Wheels / T300 RS**. Wählen Sie dann **Driver/Firmware** und folgen der Anleitung, die die Prozedur zum Herunterladen und zur Installation beschreibt.

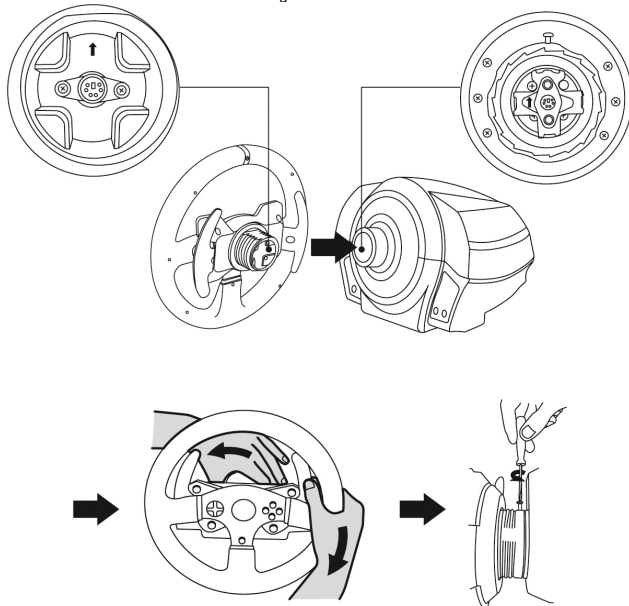
MONTAGE DES RENNLENKERS AUF DESSEN BASIS

Richten Sie die Positionen der Anschlüsse mittels der Pfeile aus:

Basisanschluss (1): Pfeil zeigt nach oben

Rennlenkeranschluss (2): Pfeil zeigt nach oben

Sind die Anschlüsse korrekt positioniert, drehen Sie einfach den Thrustmaster Quick Release (12) Ring des Gerätes entgegen dem Uhrzeigersinn, während Sie den Rennlenker (2) in Position halten. Drehen Sie dann den Ring, soweit Sie können. Um dies zu bewerkstelligen, halten Sie den Ring in Position und drehen den Rennlenker im Uhrzeigersinn.



Nach dem Montieren Ihres Rennlenkers drehen Sie diesen um 180° (mit Blick auf das Lenkrad sollte das PlayStation® Logo aufrecht stehen), um die kleine Befestigungsschraube am Ring des Thrustmaster Quick Release (12) zu erreichen. Mittels eines großen Kreuzschlitz-Schraubendrehers ziehen Sie die kleine Schraube im Uhrzeigersinn fest. Bitte üben Sie dabei keine exzessive Kraft aus.



Bitte üben Sie keine exzessive Kraft beim Eindrehen der kleinen Befestigungsschraube aus (benutzen Sie einen Kreuzschlitz-Schraubendreher)!

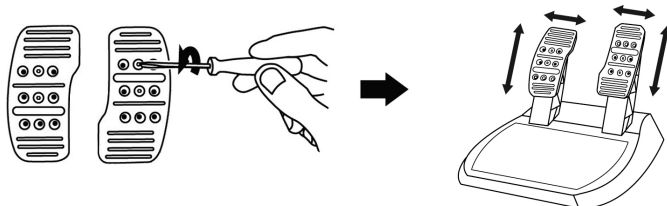
Stoppen Sie das Eindrehen der Schraube, wenn Sie einen Widerstand bemerken.

REGULIERUNG DER PEDALHÖHE UND -ABSTÄNDE

Lösen Sie die beiden Befestigungsschrauben, mit denen die Pedalplatten an den Pedalarmen festgeschraubt sind, mittels eines Kreuzschlitz-Schraubendrehers (nicht enthalten).

Danach stellen Sie die Pedalhöhen und -Abstände entsprechend Ihres bevorzugten Fahrstils ein:

- 6 verschiedene Positionen stehen für das Gaspedal zur Verfügung.
- 6 verschiedene Positionen stehen für das Bremspedal zur Verfügung.

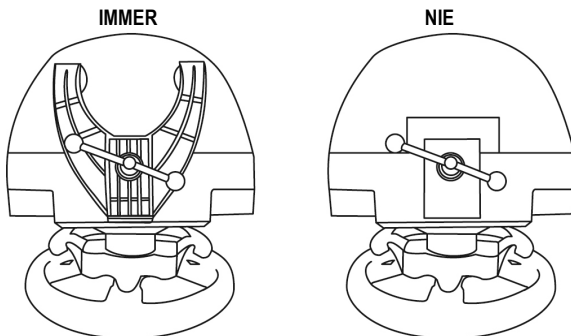


Wenn Sie mit Höhen und Abständen zufrieden sind, drehen Sie die beiden Befestigungsschrauben, mit denen die Pedalplatten an den Pedalarmen festgeschraubt werden, wieder ein.

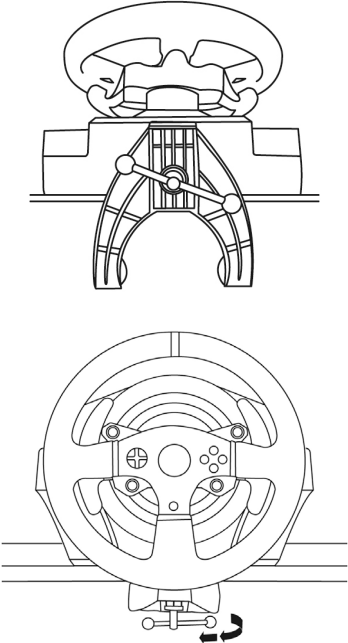
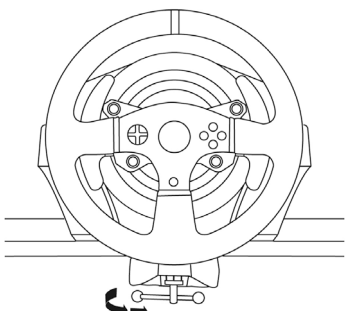
BEFESTIGEN DES RENNLENKERS

Befestigen Sie den Rennlenker auf einem Tisch oder Schreibtisch

1. Platzieren Sie den Lenker auf einem Tisch oder einer anderen waagerechten, ebenen und stabilen Oberfläche.
2. Stecken Sie die Befestigungsschraube (11) in das Befestigungssystem (10). Ziehen Sie dann die Schraube entgegen dem Uhrzeigersinn im Schraubgewinde (9) unterhalb des Geräts, bis der Lenker sicher und perfekt stabil auf der Oberfläche montiert ist.



ACHTUNG: Ziehen Sie die Schraube niemals ohne das Befestigungssystem fest!
(Dies könnte Ihren Rennlenker beschädigen).

MONTAGE / ABMONTIEREN	RICHTUNG
<p>Montieren:</p> <p><i>Drehen der Schraube entgegen dem Uhrzeigersinn</i></p>	
<p>Abmontieren:</p> <p><i>Drehen der Schraube im Uhrzeigersinn</i></p>	

Montage der Basis des Rennlenkers in einem Cockpit

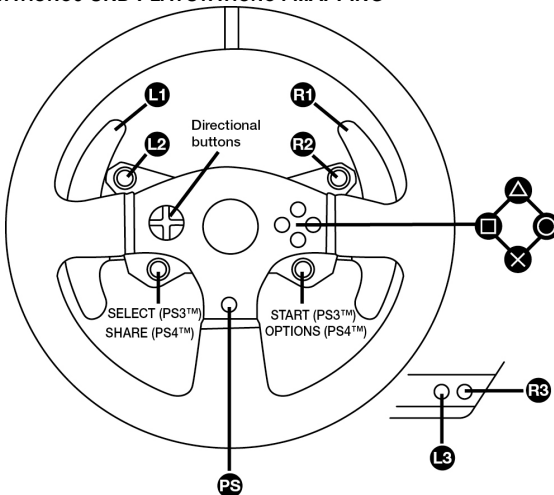
1. Platzieren Sie die Basis des Rennlenkers auf der Cockpit-Ablage.
2. Drehen Sie zwei M6 Schrauben (nicht enthalten) durch die Cockpit-Ablage und führen diese in die beiden kleinen Schraubgewinde unterhalb des Rennlenkers ein.
Achtung: Die Länge der beiden M6 Schrauben sollte die Dicke der Ablage plus zusätzlich 12 mm nicht überschreiten. Längere Schrauben könnten die internen Komponenten der Lenkerbasis beschädigen.
3. Falls erforderlich, schrauben Sie das Standard-Befestigungssystem mittels der Befestigungsschraube für das große Schraubgewinde an.

Montage des Pedalsets in ein Cockpit

1. Montieren Sie das Pedal-Set mittels der darunter liegenden, kleinen Gewindebohrungen.
2. Drehen Sie zwei M6 Schrauben (nicht enthalten) durch die Cockpit-Ablage und führen diese in die beiden kleinen Schraubgewinde unterhalb des Pedalsets.
Achtung: Die Länge der beiden M6 Schrauben sollte die Dicke der Ablage plus zusätzlich 10 mm nicht überschreiten. Längere Schrauben könnten die internen Komponenten des Pedalsets beschädigen.

Layout-Diagramme für Cockpits (zur Positionierung der Rennlenkerbasis und/oder des Pedalsets) stehen auf <http://ts.thrustmaster.com> zur Verfügung: Klicken Sie in der Sektion **Updates und Downloads** auf **PlayStation® / Wheels / T300 RS** und wählen dann **Manual/Help file**.

PLAYSTATION®3 UND PLAYSTATION®4 MAPPING



MONTAGE DES RENNLENKERS AN DER PLAYSTATION®3 ODER PLAYSTATION®4

1. Verbinden Sie das Pedalset mit dem Anschluss (17) auf der Rückseite der Rennlenkerbasis.
2. Verbinden Sie das Netzkabel mit dem Anschluss (14) auf der Rückseite der Rennlenkerbasis.
3. Stecken Sie das Netzkabel in eine Steckdose mit der richtigen Spannung.



Ausführlichere Information dazu erhalten Sie auf Seite 3 dieses Handbuchs im Abschnitt ANSCHLUSS DES RENNLENKERS AN DAS STROMNETZ.

4. Je nach genutzter Konsole oder genutztem Spiel stellen Sie den USB-Wahlschalter (5) an der Rennlenkerbasis entweder auf die PS3™- oder PS4™-Position.
5. Stecken Sie den USB-Stecker des Rennlenkers (15) in einen der USB-Anschlüsse an der Konsole.
6. Nachdem Ihre Konsole eingeschaltet wurde, kalibriert sich Ihr Rennlenker automatisch selbst.
7. Auf der PlayStation®4 (wenn der USB-Wahlschalter auf die PS4™-Position gestellt ist): Drücken Sie den PS-Button (8) des Rennlenkers und melden sich bei Ihrem Sony Entertainment Network-Konto an, um den Lenker nutzen zu können.

Sie können nun an den Start gehen und Ihr Rennen bestreiten!

Wichtige Hinweise:

- Der USB-Wahlschalter (5) an der Rennlenkerbasis muß immer vor dem Anschluß des USB-Kabels des Rennlenkers an die Konsole auf die richtige Position (PS3™ oder PS4™) gestellt werden. Um die Position des Wahlschalters zu verstellen, trennen Sie das USB-Kabel von der Konsole und ändern dann die Position des Wahlschalters. Schließen Sie dann das USB-Kabel erneut an die Konsole an.
- Auf der PlayStation®3 muß der USB-Wahlschalter (5) immer auf die PS3™-Position gestellt werden:
 - * Der Lenker wird in den meisten Spielen als T500 RS Lenker erkannt.
 - * Der Lenker funktioniert in kompatiblen Spielen und in den Konsolenmenüs.
 - * Die "PS"-Funktion des Lenkers funktioniert.
- Auf der PlayStation®4 mit dem USB-Wahlschalter (5) auf der PS3™-Position:
 - * Der Lenker wird in den meisten Spielen als T500 RS Lenker erkannt.
 - * Der Lenker funktioniert in kompatiblen Spielen aber nicht in Konsolenmenüs.
 - * Die "SHARE"- und "PS"-Funktionen des Lenkers funktionieren nicht.
- Auf der PlayStation®4 mit dem USB-Wahlschalter (5) auf der PS4™-Position:
 - * Vergessen Sie nicht den PS-Button (8) des Lenkers zu drücken, um diesen nutzen zu können.
 - * Der Lenker wird in den meisten Spielen als T300 RS Lenker erkannt.
 - * Der Lenker funktioniert in kompatiblen Spielen und in den Konsolenmenüs.
 - * Die "SHARE"- und "PS"-Funktionen des Lenkers funktionieren.
- Eine Liste der mit dem T300 RS kompatiblen Spiele für PlayStation®3 und PlayStation®4 (zusammen mit der erforderlichen Position des USB-Wahlschalters (5) je nach Spiel) ist verfügbar auf:
<http://ts.thrustmaster.com> (in der Sektion Updates und Downloads klicken Sie bitte auf PlayStation® / Wheels / T300 RS). Diese Liste wird regelmäßig aktualisiert.

EINRICHTEN DES RENNLENKERS FÜR DEN PC

Wichtiger Hinweis:

Der USB-Schiebeschalter (5) an der Rennlenkerbasis muß bei einer Nutzung mit dem PC immer auf der PS3™-Position gestellt sein.

1. Gehen Sie auf <http://ts.thrustmaster.com> zum Herunterladen der Treiber und der Force Feedback Software für PC. Dazu klicken Sie in der Sektion Updates und Downloads auf PC / Wheels / T300 RS und wählen dann Treiber aus.
2. Nach dem Herunterladen starten Sie die Installation und folgen den Anweisungen auf dem Bildschirm, um den USB-Stecker des Lenkers an einen freien USB-Anschluß des Computers anzuschließen und die Installation zu komplettieren.
3. Nach Beenden der Installation klicken Sie auf Beenden und starten Ihren Computer neu.
4. Wählen Sie Start / Alle Programme / Thrustmaster / FFB Racing Wheel / Control Panel, um das Fenster für den Game-Controller zu öffnen.

In diesem Fenster wird der Name des Rennlenkers - T300 RS Racing Wheel – mit einem OK-Status angezeigt.

5. Klicken Sie auf Eigenschaften, um Ihr Lenkrad mittels der T300 RS Steuerkonsole zu konfigurieren:
 - Tabulator „Test Eingabe“: Ermöglicht das Testen und Beobachten der Actionbuttons, der Richtungsbuttons, des Lenkers sowie der Pedalachsen und das Einstellen des Rotationswinkels des Lenkrades bei Ihren PC-Spielen.
 - Tabulator "Test Forces": Ermöglicht das Testen der 12 Force-Feedback-Effekte.
 - Tabulator „Verstärkungseinstellungen“: Ermöglicht das Einstellen der Stärke der Force-Feedback-Effekte in Ihren PC-Spielen.

Sie sind nun spielbereit!

Allgemeine Hinweise:

- Bevor Sie Ihr Spiel starten, klicken Sie auf OK, um das Game-Controller Fenster zu schließen.
- Alle Einstellungen, die Sie im Game-Controller Fenster vorgenommen haben, werden auf Ihrem Computer gespeichert (und haben somit keinen Einfluss auf der PlayStation®3 oder PlayStation®4).
- Die Firmwareversion Ihres Lenker wird in der oberen rechten Ecke neben den Tabulatoren in der Steuerkonsole für den T300 RS angezeigt.

BELEGUNG (MAPPING) AUF DEM PC

ENGLISH

FRANÇAIS

DEUTSCH

NEDERLANDS

ITALIANO

ESPAÑOL

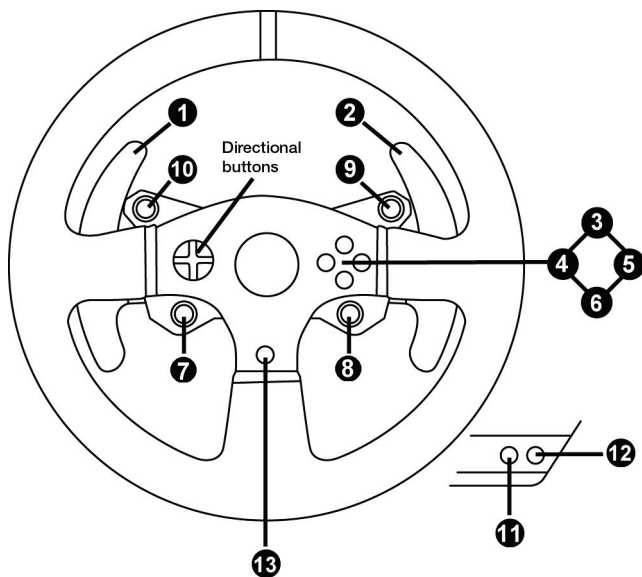
PORTUGUÊS

РУССКИЙ

ΕΛΛΗΝΙΚΑ

TÜRKÇE

POLSKI



AUTOMATISCHE LENKLER- UND PEDALSET-KALIBRIERUNG

Der Rennlenker kalibriert sich automatisch selbst beim Anschluss desselben an die Stromversorgung und den USB-Anschluss an der Konsole.

Während dieser Phase dreht sich der Lenkkranz schnell nach rechts und links und deckt dabei einen Rotationswinkel von 90° ab. Danach stoppt der Lenkkranz in der mittlerigen Position.



WARNUNG:

**Berühren Sie den Rennlenker niemals während der Kalibrierungsphase
(Dies kann zu Kalibrierungsfehlern und/oder Verletzungen führen.)**

AUTOMATISCHE KALIBRIERUNG DES PEDALSETS

Verbinden/Trennen Sie das Pedalset niemals mit/von der Rennlenkerbasis, wenn diese mit der Konsole verbunden ist oder während eines Spiels. Dies kann zu Kalibrierungsfehlern führen. Schließen Sie das Pedalset ausschließlich nur an den Rennlenker an, bevor dieser an der Konsole angeschlossen ist. Nach der Selbstkalibrierung des Lenkers und nach dem Spielstart werden die Pedale nach mehrmaligem Niederdrücken automatisch kalibriert.



WARNUNG:

**Betätigen Sie die Pedale niemals während der Selbstkalibrierung des Lenkers oder während ein Spiel geladen wird!!
(Dies kann zu Kalibrierungsfehlern führen.)**

Falls Ihr Rennlenker und/oder das Pedalset nicht ordnungsgemäß funktionieren oder die Kalibrierung nicht korrekt zu sein scheint:

Schalten Sie Ihre Konsole aus. Trennen Sie den Rennlenker komplett von der Konsole. Schließen Sie die Kabel (auch Netz- und Pedalset-Kabel) erneut an. Starten Sie dann Ihre Konsole und das Spiel neu.

INTERNER TEMPERATUR-MESSFÜHLER

Das Kühlsystem des Lenkers besteht aus einem Kühlkörper und einem Lüfter.

- Ein Thermostat überwacht die interne Temperatur des Lenkers.
- Wenn Sie das Lenkrad in einem Spiel benutzen:
 - Beginnt der Lüfter zu arbeiten, wenn der Lenker eine bestimmte Temperatur erreicht hat (nach ein paar Minuten, je nach der Stärke der benutzten Force Feedback Effekte).
 - Die Leistung der Force Feedback Effekte verringert sich automatisch, sobald das Rad ein viel höheres Temperaturniveau (zum Schutz des Motors) erreicht. Die Leistung dieser Effekte erhöht sich automatisch, sobald die Temperatur leicht abnimmt.
- Nach dem Spielen: Während der Abkühlungsphase des Motors läuft der Lüfter weiter, bis die Temperatur unter den Beginn der Startstufe des Lüfters abgesunken ist. Ihr Lenkrad wurde deshalb so gestaltet, um eine Kühlung zu fördern und zu erleichtern und um den Motor zu schützen.
- (dies kann zwischen 5 bis 45 Minuten dauern und ist abhängig von der Temperatur, die durch die Nutzung des Lenkers im Spiel erreicht wurde).

MODE-BUTTON UND LEUCHTANZEIGE (6)

MODE-Button für das Pedalset

Das inklusive Pedalset des T300 RS hat 2 Pedale.

Sollten Sie dieses Pedalset nutzen, vergewissern Sie sich, daß die Leuchtanzeige rot anzeigt. Andernfalls funktioniert das Gaspedal nicht korrekt.

Das T300 RS ist kompatibel mit Thrustmasters Pedalsets, die 3 Pedale aufweisen (*separat erhältlich*). Diese versetzen Sie in die Lage die Gas- und Kupplungspedale elektronisch zu vertauschen.

Um dies zu bewerkstelligen, drücken Sie einfach den MODE-Button (6) für 2 Sekunden.

Der interne Speicher des Rennlenkers speichert, ob die Pedale vertauscht wurden oder nicht.

GAS- UND KUPPLUNGSPEDALE	Farbe der MODE Leuchtanzeige (6)
NORMAL	ROT
VERTAUSCHT	GRÜN

Andere Hinweise für den MODE-Button

Um mehr über den MODE-Button und die Leuchtanzeige zu erfahren, besuchen Sie bitte die Website <http://ts.thrustmaster.com>. In der Sektion **Updates und Downloads** klicken Sie bitte auf **PlayStation® / Wheels / T300 RS** und wählen dann **Manual/Help** file.

KOMPATIBILITÄT MIT DEM THRUSTMASTER-PRODUKT-ECOSYSTEM

Die Basis des T300 RS ist kompatibel mit:

- Den folgenden abnehmbaren Thrustmaster-Lenkrädern: "Ferrari F1 Wheel Add-on*", "Ferrari GTE Wheel Add-on*", "T300 RS PS Wheel", "T500 RS GT Wheel".
- Das "Base Fixed Paddle Shifters"-Kit, das Ihnen ermöglicht feste Schaltwippen auf der Basis zu montieren.
- Die folgenden Thrustmaster-Pedalsets: "T3PA*" (Thrustmaster 3 Pedals Add-on) und das Pedalset des T500 RS Rennlenkers.
- Die folgenden Thrustmaster-Schalthebel (Getriebe): "TH8A*" und "TH8RS*".

* Separat erhältlich (weitere Informationen auf <http://www.thrustmaster.com/products/t300rs>).

HILFE UND HÄUFIG GESTELLTE FRAGEN (in diesem Handbuch nicht enthalten)

Gehen Sie bitte auf <http://ts.thrustmaster.com>. In der Sektion **Updates und Downloads** klicken Sie bitte auf **PlayStation® / Wheels / T300 RS** und gehen dann auf **Manual/Help** file.

TECHNISCHER SUPPORT

Sollten Sie mit Ihrem Produkt ein Problem haben, besuchen Sie bitte die Seite <http://ts.thrustmaster.com> und klicken Sie auf **Technischer Support**. Von dort aus können Sie auf verschiedene Instrumente zugreifen (Fragen und Antworten (FAQ), die neuesten Versionen von Treibern und Software), die Ihnen bei der Lösung Ihres Problems helfen könnten. Falls das Problem weiterhin besteht, können Sie mit dem technischen Support der Thrustmaster Produkten in Kontakt treten („Technischer Support“):

Per E-Mail:

Um den Vorzug des technischen Supports per Email in Anspruch nehmen zu können, müssen Sie sich zunächst online registrieren. Mit den Informationen, die Sie uns so zukommen lassen, können die Mitarbeiter Ihr Problem schneller lösen. Klicken Sie auf **Registrierung** links auf der Seite des technischen Supports und folgen Sie den Instruktionen auf dem Bildschirm. Falls Sie bereits registriert sind, füllen Sie die Textfelder **Anwendername** und **Passwort** aus und klicken dann auf **Login**.

Per Telefon (falls Sie über keinen Internetzugang verfügen):

Geschäftstage und -zeiten und Telefonnummern können sich ändern. Bitte besuchen Sie für die aktuellen Kontaktinformationen des Technischen Supports <http://ts.thrustmaster.com>.

Deutschland	08000 00 1445 Kostenlos	Montag bis Freitag 9:00 bis 20:00 Uhr
Österreich	0810 10 1809 Zum Preis eines Ortsgesprächs	Montag bis Freitag 9:00 bis 20:00 Uhr
Schweiz	0842 000 022 Zum Preis eines Ortsgesprächs	Montag bis Freitag 9:00 bis 20:00 Uhr
Luxemburg	80028612 Kostenlos	Montag bis Freitag 9:00 bis 20:00 Uhr

Kunden-Garantie-Information

Guillemot Corporation S.A. (fortfolgend "Guillemot") garantiert Kunden weltweit, daß dieses Thrustmaster Produkt frei von Mängeln in Material und Verarbeitung für eine Gewährleistungsfrist ist, die mit der Frist für eine Mängelrüge bezüglich des Produktes übereinstimmt. In den Ländern der Europäischen Union entspricht diese einem Zeitraum von zwei (2) Jahren ab Kaufdatum des Thrustmaster Produktes. In anderen Ländern entspricht die Gewährleistungsfrist der zeitlichen Begrenzung für eine Mängelrüge bezüglich des Thrustmaster Produktes in Übereinstimmung mit anwendbarem Recht des Landes, in dem der Kunde zum Zeitpunkt des Erwerbs eines Thrustmaster Produktes wohnhaft ist. Sollte eine entsprechende Regelung in dem entsprechenden Land nicht existieren, umfasst die Gewährleistungspflicht einen Zeitraum von einem (1) Jahr ab dem originären Kaufdatum des Thrustmaster Produktes.

Ungeachtet dessen werden wiederaufladbare Batterien (fortfolgend „Akkus“) durch eine Gewährleistungsfrist von sechs (6) Monaten ab dem Kaufdatum abgedeckt.

Sollten bei dem Produkt innerhalb der Gewährleistungsfrist Defekte auftreten, kontaktieren Sie unverzüglich den Technischen Kundendienst, der die weitere Vorgehensweise anzeigt. Wurde der Defekt bestätigt, muß das Produkt an die Verkaufsstelle (oder an eine andere Stelle, je nach Maßgabe des Technischen Kundendienstes) retourniert werden.

Im Rahmen dieser Garantie sollte das defekte Produkt des Kunden, je nach Entscheidung des Technischen Kundendienstes, repariert oder ausgetauscht werden. Wenn nach geltendem Recht zulässig, beschränkt sich die volle Haftung von Guillemot und ihrer Tochtergesellschaften auf die Reparatur oder den Austausch des Thrustmaster Produktes (inklusive Folgeschäden). Wenn nach geltendem Recht zulässig, lehnt Guillemot alle Gewährleistungen der Marktgängigkeit oder Eignung für einen bestimmten Zweck ab. Die Rechte des Kunden in Übereinstimmung mit anwendbarem Recht bezüglich des Verkaufs auf Konsumgüter wird durch diese Garantie nicht beeinträchtigt.

Der Gewährleistungsanspruch verfällt: (1) Falls das Produkt modifiziert, geöffnet, verändert oder ein Schaden durch unsachgemäßen oder missbräuchlichen Gebrauch hervorgerufen wurde, sowie durch Fahrlässigkeit, einen Unfall, Verschleiß oder irgendeinem anderen Grund – aber nicht durch Material- oder Herstellungsfehler (einschließlich, aber nicht beschränkt auf, die Kombination der Thrustmaster Produkte mit ungeeigneten Elementen, insbesondere Netzteile, Akkus, Ladegeräte, oder andere Elemente, die von Guillemot für dieses Produkt nicht mitgeliefert wurden); (2) Im Falle der Nichteinhaltung der durch den Technischen Support erteilten Anweisungen; (3) Durch Software. Die besagte Software ist Gegenstand einer speziellen Garantie; (4) Bei Verbrauchsmaterialien (Elemente, die während der Produktlebensdauer ausgetauscht werden, wie z. B. Einwegbatterien, Ohrpolster für ein Audioheadset oder für Kopfhörer); (5) Bei Accessoires (z. B. Kabel, Etuis, Taschen, Beutel, Handgelenk-Riemen); (6) Falls das Produkt in einer öffentlichen Versteigerung verkauft wurde.

Diese Garantie ist nicht übertragbar.

Haftung

Wenn nach dem anwendbaren Recht zulässig, lehnen Guillemot Corporation S.A. (fortfolgend "Guillemot") und ihre Tochtergesellschaften jegliche Haftung für Schäden, die auf eine oder mehrere der folgenden Ursachen zurückzuführen sind, ab: (1) das Produkt wurde modifiziert, geöffnet oder geändert; (2) Nichtbefolgung der Montageanleitung; (3) unangebrachte Nutzung, Fahrlässigkeit, Unfall (z. B. ein Aufprall); (4) normale Verschleiß. Wenn nach dem anwendbaren Recht zulässig, lehnen Guillemot und seine Niederlassungen jegliche Haftung für Schäden, die nicht auf einen Material- oder Herstellungsfehler in Bezug auf das Produkt beruhen (einschließlich, aber nicht beschränkt auf, etwaige Schäden, die direkt oder indirekt durch Software oder durch die Kombination der Thrustmaster Produkte mit ungeeigneten Elementen, insbesondere Netzteile, Akkus, Ladegeräte, oder andere Elemente, die von Guillemot für dieses Produkt nicht geliefert wurden), ab.

COPYRIGHT

© 2014 Guillemot Corporation S.A. Alle Rechte vorbehalten. Thrustmaster® ist eine eingetragene Marke von Guillemot Corporation S.A. "PS", "PlayStation", "PS3", und "ΔOX□" sind eingetragene Marken von Sony Computer Entertainment, Inc. "PS4" ist eine Marke derselben Firma. Alle anderen Marken sind im Besitz Ihrer jeweiligen Eigentümer. Illustrationen nicht verbindlich. Inhalte, Designs und Spezifikationen können ohne vorherige Ankündigung geändert werden und können von Land zu Land unterschiedlich sein. Hergestellt in China. TouchSense® Technologie lizenziert von Immersion Corporation. Geschützt durch ein oder mehrere U.S. Patente. Eine entsprechende Aufstellung ist unter www.immersion.com/patent-marking.html zu finden. Andere Patente angemeldet.

Hinweise zum Umweltschutz



* In der Europäischen Union: Dieses Produkt darf nach Ende seiner Lebensdauer nicht über den Hausmüll entsorgt werden, sondern muss an einem Sammelpunkt für das Recycling von elektrischen und elektronischen Geräten abgegeben werden. Das Symbol auf dem Produkt, der Gebrauchsanleitung oder der Verpackung weist darauf hin.

Die Werkstoffe sind gemäß ihrer Kennzeichnung wiederverwertbar. Mit der Wiederverwertung, der stofflichen Verwertung oder anderen Formen von Altgeräten leisten Sie einen wichtigen Beitrag zum Schutz unserer Umwelt. Bitte erfragen Sie bei der Gemeindeverwaltung die zuständige Entsorgungsstelle.

Für alle anderen Länder: Bitte beachten Sie die lokalen Entsorgungsrichtlinien/-Gesetze bezüglich elektrischen und elektronischen Equipments.

Wichtige Informationen. Die Farben und Verzierungen können abweichen. Plastikhalterungen und Aufkleber bitte vor der Nutzung des Produktes entfernen.

www.thrustmaster.com

* Nur in der EU und der Türkei anwendbar



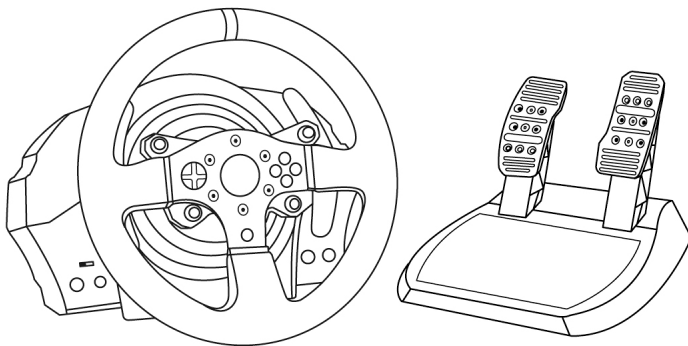
immersion.



T300RS

VOOR PLAYSTATION®3 – PLAYSTATION®4

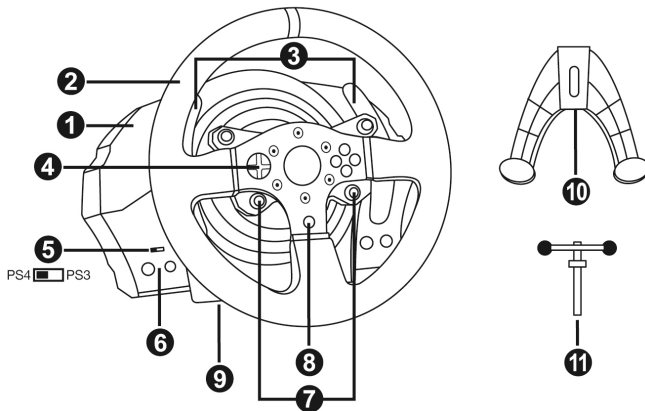
Handleiding



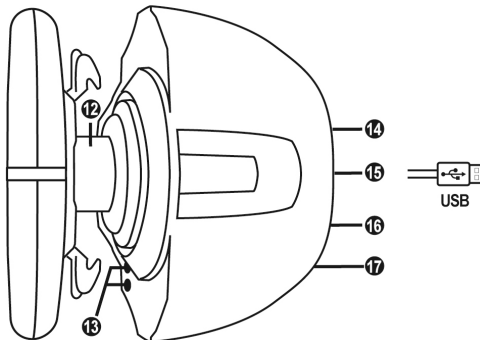
WAARSCHUWING:

Om er zeker van te zijn dat het T300 RS-racestuur correct werkt met games voor de PlayStation®3 of de PlayStation®4 moet u mogelijk de automatische updates voor de games installeren (*beschikbaar wanneer de console met internet is verbonden*).

TECHNISCHE SPECIFICATIES



- | | |
|---|---|
| 1 T300 RS-voet | 7 SELECT/START-knoppen op de PS3™ en SHARE/OPTIONS-knoppen op de PS4™ |
| 2 PS-stuur | 8 PS-knop |
| 3 2 sequentiële schakelflippers (Up & Down) | 9 Groot schroefgat (voor bevestigingssysteem en -schroef) |
| 4 Multidirectionele D-Pad | 10 Bevestigingssysteem |
| 5 USB-keuzeschakelaar (PS4™ of PS3™) | 11 Metalen bevestigingsschroef |
| 6 MODE-knop + rood/groen-indicator | |



- | | |
|--|--|
| 12 Thrustmaster Quick Release | 15 USB-kabel en -connector voor racestuur |
| 13 L3/R3-knoppen | 16 Connector voor schakelpook (versnellingsbak) (wordt apart verkocht) |
| 14 Connector voor netstroom (type A of B) (kan per land verschillen) | 17 Connector voor pedaalset |

HET RACESTUUR AANSLUITEN OP EEN STOPCONTACT: LEES DIT VOORDAT U VERDER GAAT!

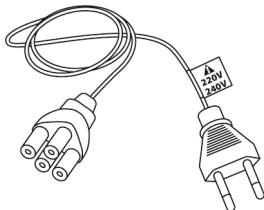
Het land waarin het racestuur is aangeschaft, is bepalend voor het soort netvoeding dat het stuur gebruikt. Mogelijke soorten netvoeding:

Intern, met:

* een voedingseenheid gemonteerd in de voet van het racestuur met een connector van het type A.

* een kabel voor netstroom van 220-240 V.

= alleen compatibel met een netspanning van 220-240 V.



*Sluit de 220-240 V kabel nooit aan op een 100-130 V stopcontact!!!
Sluit deze kabel nooit aan op een netstroomadapter!!!*

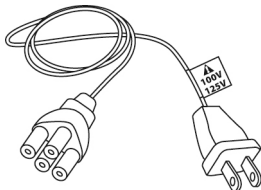


Intern, met:

* een voedingseenheid gemonteerd in de voet van het racestuur met een connector van het type A.

* een kabel voor netstroom van 100-125 V.

= alleen compatibel met een netspanning van 100-125 V.



*Sluit de 100-125 V kabel nooit aan op een 220-240 V stopcontact!!!
Sluit deze kabel nooit aan op een netstroomadapter!!!*



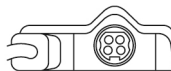
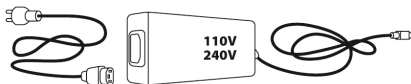
BELANGRIJK: als u niet weet welk voltage er op het stopcontact staat op de plek waar u het racestuur wilt gebruiken, neem dan contact op met een plaatselijke elektriciteitsleverancier.

Extern, met:

* een externe voedingseenheid met een connector van het type B.

* een kabel voor de voeding.

= compatibel met alle netspanningen van 110-240 V.



WAARSCHUWINGEN

Lees, voordat u dit product gebruikt, deze handleiding zorgvuldig door en bewaar hem om eventueel op een later tijdstip te kunnen raadplegen.



Waarschuwing — Elektrische schok

- * Berg dit product op een droge plek op, uit de zon en stofvrij.
- * Trek nooit te hard aan een kabel of connector en zorg dat er geen knikken in kabels komen.
- * Mors geen vloeistoffen op het product of op een connector.
- * Veroorzaak geen kortsluiting.
- * Haal het product nooit uit elkaar, gooi het niet in het vuur en stel het niet bloot aan hoge temperaturen.
- * Gebruik geen andere netstroomkabel dan de kabel meegeleverd bij het racestuur.
- * Gebruik de netstroomkabel nooit als de kabel, de stekkers of de connectoren zijn beschadigd, gespleten of gebroken.
- * Controleer dat de netstroomkabel correct is aangesloten op het stopcontact en correct is aangesloten op de achterzijde van de voet van het racestuur.
- * Maak het stuur niet open. Er bevinden zich geen door de gebruiker te onderhouden of repareren onderdelen in. Alle reparaties dienen te worden uitgevoerd door de fabrikant, haar bevoegde vertegenwoordiger of een gekwalificeerd technicus.
- * Gebruik alleen door de fabrikant goedgekeurde hulpstukken en accessoires.
- * Als het racestuur zich vreemd gedraagt, bijvoorbeeld door rare geluiden te maken, heet te worden of te stinken, stop dan onmiddellijk met het gebruik, haal de stekker uit het stopcontact en maak alle andere kabels los.
- * Als het racestuur langere tijd niet wordt gebruikt, haal dan de stekker uit het stopcontact.



Ventilatieopeningen

Blokkeer nooit de ventilatieopeningen op de voet van het stuur. Aanwijzingen voor optimale ventilatie:

- * Plaats de voet van het stuur minimaal 10 cm van een muur.
- * Plaats de voet niet in een krappe ruimte.
- * Leg nooit iets over de voet heen.
- * Zorg dat de ventilatieopeningen stofvrij blijven.



Om veiligheidsredenen mogen de pedalen nooit met blote voeten worden bediend of met alleen sokken aan.

THRUSTMASTER® WIJST ELKE VERANTWOORDELIJKHEID AF IN GEVAL VAN LETSEL ALS GEVOLG VAN HET GEBRUIK VAN DE PEDAALSET ZONDER SCHOENEN AAN.



Waarschuwing — Mogelijk letsel ten gevolge van Force Feedback en repetitieve bewegingen

Gamen met een Force Feedback-stuur kan leiden tot pijn in de gewrichten of de spieren. Hoe voorkomt u problemen:

- * Vermijd langdurige gamesessies.
- * Neem na elk uur gamen een pauze van 10 tot 15 minuten.
- * Stop met gamen bij last van vermoeidheid of pijn in handen, polsen, armen, voeten of benen, en rust een paar uur voordat u weer verder gaat met gamen.



Waarschuwing — Mogelijk letsel ten gevolge van Force Feedback en repetitieve bewegingen (vervolg)

- * Stop al het gamen als de hierboven beschreven symptomen van pijn of ongemak blijven aanhouden tijdens het gamen en raadpleeg een huisarts.
- * Houd het stuur, de voet en de pedaalset buiten het bereik van kinderen.
- * Houd tijdens het gamen altijd twee handen aan het stuur op de juiste stand en laat het stuur nooit helemaal los.
- * Zorg er tijdens het gamen voor dat handen of vingers nooit in de buurt van of onder de pedalen of de pedaalset komen.
- * Steek tijdens het kalibreren en gamen nooit een vinger, hand of arm door de openingen van het racestuur.
- * Zorg er voor dat de voet van het racestuur stevig vast zit, zoals beschreven in deze handleiding.



Product mag alleen verplaatst worden door gebruikers van 16 jaar of ouder

ZWAAR PRODUCT



Wees voorzichtig en laat het product niet op uzelf of iemand anders vallen!

ALTIJD



NOOIT



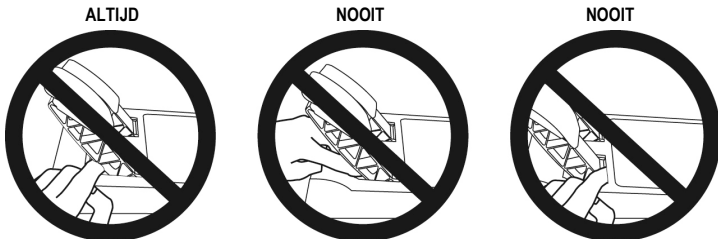
NOOIT





Waarschuwing — Pedaalset beknellingsgevaar bij gebruik

- * Houd de pedaalset buiten het bereik van kinderen.
- * Houd tijdens het gamen nooit uw vingers op of in de buurt van de zijanten van de pedalen.
- * Houd tijdens het gamen nooit uw vingers op of in de buurt van de achterkant van de pedalen.
- * Houd tijdens het gamen nooit uw vingers op of in de buurt van de voorkant van de pedalen.



Waarschuwing — Pedaalset beknellingsgevaar bij gebruik

- * Berg de pedaalset op een veilige plaats op, buiten het bereik van kinderen.

DE FIRMWARE VAN HET RACESTUUR BIJWERKEN

De firmware in de voet van het racestuur kan worden bijgewerkt naar een nieuwere verbeterde versie wanneer een dergelijke versie beschikbaar komt.

Om de huidige versie van de firmware van het racestuur weer te geven en deze bij te werken indien gewenst: ga op een pc naar <http://ts.thrustmaster.com>. Klik in de sectie **Updates and Downloads** op **PlayStation® / Wheels / T300 RS**, selecteer **Driver/Firmware** en volg de instructies voor het downloaden en installeren.

HET RACESTUUR INSTALLEREN OP DE VOET

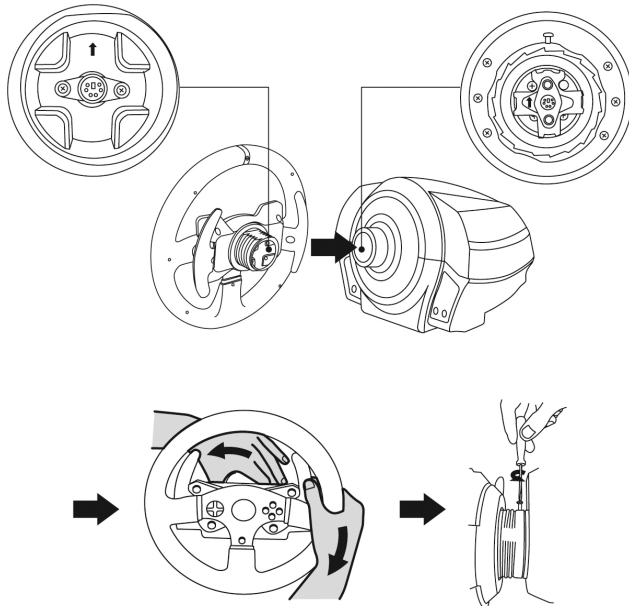
Positioneer de connectoren met behulp van de pijlen:

Connector op voet (1): pijl die omhoog wijst

Connector op stuur (2): pijl die omhoog wijst

Draai zodra de connectoren correct zijn gepositioneerd de ring van de Thrustmaster Quick Release (12) op zijn plaats tegen de wijzers van de klok in terwijl u het racestuur vasthoudt (2).

Draai vervolgens de ring zo strak mogelijk vast door deze op zijn plaats te houden en het stuur met de wijzers van de klok mee te draaien.



Zodra u het racestuur hebt geïnstalleerd, draait u het 180° om (kijkend naar het stuur, moet het PlayStation®-logo nu ondersteboven staan) voor toegang tot de kleine bevestigingsschroef onder op de Thrustmaster Quick Release (12). Gebruik een grote kruiskopschroevendraaier om de kleine bevestigingsschroef met de wijzers van de klok mee vast te draaien (gebruik geen overmatige kracht).



Gebruik geen overmatige kracht om de kleine bevestigingsschroef vast te draaien.

Gebruik een kruiskopschroevendraaier!

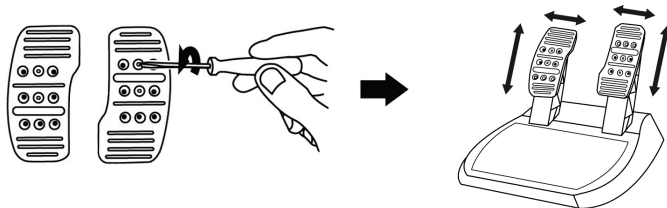
Stop met het aandraaien van de schroef zodra u enige weerstand voelt.

DE HOOGTE EN TUSSENRUIMTE VAN DE PEDALEN AANPASSEN

Gebruik een kruiskopschroevendraaier (niet meegeleverd) om de twee bevestigingsschroeven te verwijderen waarmee de pedalen aan de pedaalstangen zijn bevestigd.

Stel de hoogte en de tussenruimte van de pedalen zo in dat ze perfect passen bij uw rijstijl.

- het gaspedaal kent 6 mogelijke standen
- ook het rempedaal kent 6 mogelijke standen

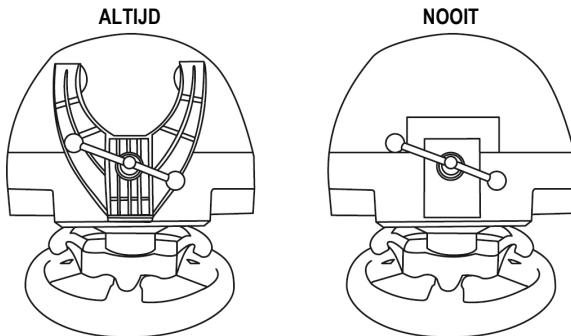


Wanneer de pedalen op de gewenste hoogte staan en de gewenste tussenruimte hebben, schroeft u de pedalen weer vast op de pedaalstangen.

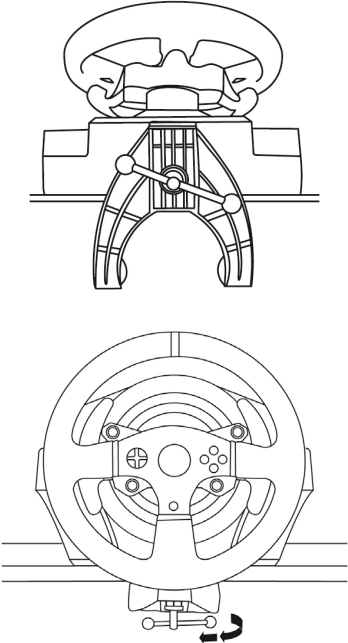
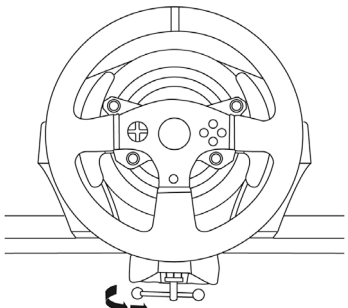
HET RACESTUUR BEVESTIGEN

Het racestuur op een tafel of werkblad bevestigen

1. Plaats het racestuur op een tafel of een ander horizontaal, vlak en stabiel oppervlak.
2. Plaats de bevestigingsschroef (11) in het bevestigingssysteem (10) en draai de schroef aan (tegen de klok in) zodat deze vast komt te zitten in het schroefgat (9) onder het racestuur en het stuur volledig stabiel is.



WAARSCHUWING: draai de schroef nooit in het racestuur zonder het bevestigingssysteem!
(Daarmee kunt u het racestuur beschadigen).

BEVESTIGEN / VERWIJDEREN	RICHTING
<p><u>Vastdraaien:</u></p> <p><i>Draai de schroef linksom vast (tegen de wijzers van de klok in).</i></p>	
<p><u>Losdraaien:</u></p> <p><i>Draai de schroef rechtsom los (met de wijzers van de klok mee).</i></p>	

De voet van het racestuur aan een cockpit bevestigen

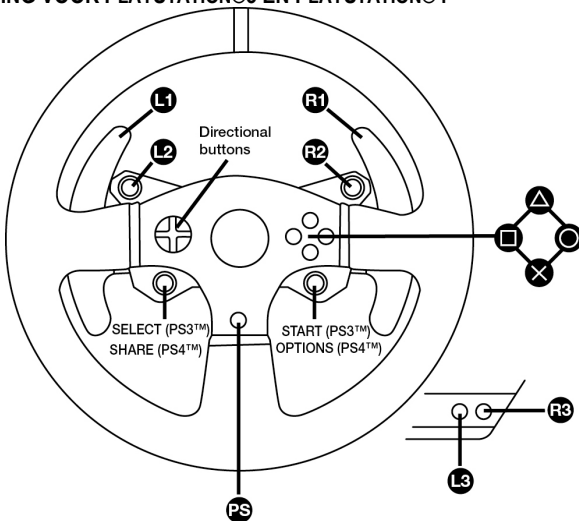
1. Plaats de voet van het racestuur op het cockpitpaneel.
2. Draai twee M6-schroeven (niet meegeleverd) door het cockpitpaneel en in de twee kleine schroefgaten aan de onderkant van het racestuur.
Belangrijk: de M6-schroeven mogen niet langer zijn dan de dikte van het paneel + 12 mm. Langere schroeven kunnen de componenten in de voet van het racestuur beschadigen.
3. Zet indien nodig het standaardbevestigingssysteem vast door de bevestigingsschroef in het grote schroefgat te draaien.

De pedaalsset aan een cockpit bevestigen

1. Bevestig de pedaalsset met behulp van de kleine schroefdraden onderop de pedaalsset.
2. Draai twee M6-schroeven (niet meegeleverd) door het cockpitpaneel en in de twee kleine schroefgaten aan de onderkant van de pedaalsset.
Belangrijk: de M6-schroeven mogen niet langer zijn dan de dikte van het paneel + 10 mm. Langere schroeven kunnen de componenten in de pedaalsset beschadigen.

Schema's voor cockpits (voor het plaatsen van de voet van het racestuur en/of de pedaalsset) zijn beschikbaar op <http://ts.thrustmaster.com>. Klik in de sectie **Updates and Downloads** op **PlayStation® / Wheels / T300 RS** en selecteer **Manual/Help file**.

MAPPING VOOR PLAYSTATION®3 EN PLAYSTATION®4



HET RACESTUUR GEREED MAKEN VOOR DE PLAYSTATION®3 OF PLAYSTATION®4

1. Sluit de pedaalsset aan op de connector (17) aan de achterkant van de voet van het racestuur.
2. Sluit de netstroomkabel aan op de connector (14) aan de achterkant van de voet van het racestuur.
3. Sluit de netstroomkabel aan op een stopcontact met de correcte netspanning.



Raadpleeg voor meer informatie over dit onderwerp de sectie HET RACESTUUR AANSLUITEN OP EEN STOPCONTACT op pagina 3 van deze handleiding.

4. Zet de USB-keuzeschakelaar (5) op de voet van het racestuur in de gewenste stand: PS3™ of PS4™.
5. Sluit de USB-connector (15) van het stuur aan op een van de USB-poorten van de console.
6. Zodra de console stroom krijgt, kalibreert het stuur zichzelf.
7. Als de USB-keuzeschakelaar in de stand PS4™ staat, drukt u op de PlayStation®4 op de PS-knop (8) op het racestuur en gaat u naar uw Sony Entertainment Network account om het stuur te kunnen gebruiken.

Nu kan er gespeeld worden!

Belangrijke opmerkingen:

- De USB-keuzeschakelaar (5) op de voet van het racestuur moet altijd op de correcte stand (PS3™ of PS4™) worden gezet voordat de USB-kabel van het stuur op de console wordt aangesloten. Als u de stand van de keuzeschakelaar wilt veranderen, koppelt u de USB-kabel los van de console, verandert u de stand en sluit u de USB-kabel weer aan op de console.
- Op de PlayStation®3 moet de USB-keuzeschakelaar (5) altijd in de stand PS3™ staan:
 - * Het stuur wordt in de meeste games herkend als een T500RS-stuur.
 - * Het stuur werkt in compatibele games en in consolemenu's.
 - * De "PS"-functie op het stuur werkt.
- Op de PlayStation®4 met de USB-keuzeschakelaar (5) in de stand PS3™:
 - * Het stuur wordt in de meeste games herkend als een T500RS-stuur.
 - * Het stuur werkt in compatibele games, maar niet in consolemenu's.
 - * De "SHARE"- en de "PS"-functie op het stuur werken niet.
- Op de PlayStation®4 met de USB-keuzeschakelaar (5) in de stand PS4™:
 - * Vergeet niet op de PS-knop (8) op het stuur te drukken om het stuur te kunnen gebruiken.
 - * Het stuur wordt in de meeste games herkend als een T300 RS-stuur.
 - * Het stuur werkt in compatibele games en in consolemenu's.
 - * De "SHARE"- en de "PS"-functie op het stuur werken.
- De lijst met PlayStation®3- en PlayStation®4-games die compatibel zijn met de T300 RS en de daarvoor benodigde stand van de USB-keuzeschakelaar (5) is beschikbaar op:
<http://ts.thrustmaster.com> (in de sectie Updates and Downloads,
klik op PlayStation® / Wheels / T300 RS).
Deze lijst wordt regelmatig bijgewerkt.

HET RACESTUUR INSTALLEREN OP UW PC

Belangrijke opmerking:

Op een pc moet de USB-schuifschakelaar (5) op de voet van het racestuur altijd in de stand PS3™ staan.

1. Ga naar <http://ts.thrustmaster.com> en download de drivers en de Force Feedback software voor de pc. Klik in de sectie Updates and Downloads op PC / Wheels / T300 RS en selecteer Drivers.
2. Start de installatie nadat de download is voltooid en volg de instructies op het scherm om de USB-stekker van het stuur aan te sluiten op uw computer en de installatie te voltooien.
3. Klik nadat de installatieprocedure is afgerond op Voltooien om de computer opnieuw te starten.
4. Kies Start / Alle programma's / Thrustmaster / FFB Racing Wheel / Configuratiescherm om het venster Game Controllers openen.

Het venster Game Controllers geeft T300 RS Racing Wheel als naam voor het racestuur met de status OK.

5. Klik op Eigenschappen om het stuur te configureren in het T300 RS configuratiescherm:

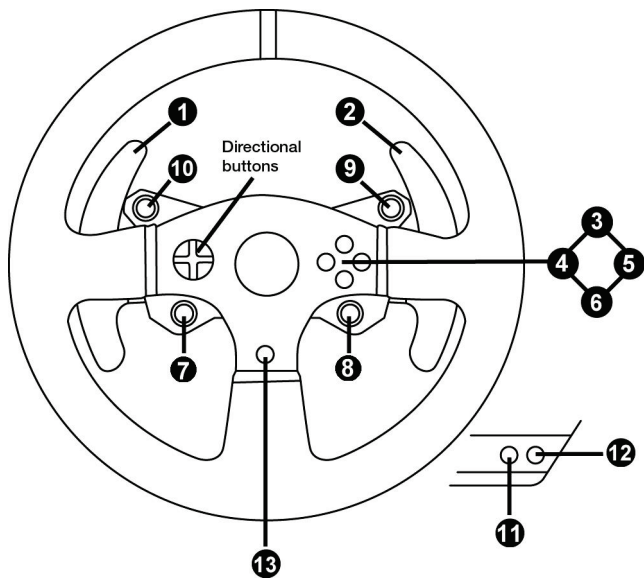
- Tabblad "Test Input": hiermee kunnen de actieknoppen, richtingsknoppen, het stuur en de pedaalassen getest en bekeken worden. Ook is het mogelijk de draaihoek van het stuur in pc-games aan te passen.
- Tabblad "Test Forces": hiermee kunnen 12 Force Feedback effecten worden getest.
- Tabblad "Gain Settings": hiermee kan de kracht van de Force Feedback effecten in pc-games worden aangepast.

Nu kan er gespeeld worden!

Algemene opmerkingen:

- Klik op de pc op OK om het venster Game Controllers te sluiten voordat u de game start.
- Op de pc worden aanpassingen gemaakt in het venster Game Controllers alleen opgeslagen op de computer en hebben dus geen effect op de PlayStation®3 of PlayStation®4.
- De firmware-versie van uw stuur wordt rechtsboven in de T300 RS configuratiescherm-tabbladen vermeld.

MAPPING OP PC



ENGLISH

FRANÇAIS

DEUTSCH

NEDERLANDS

ITALIANO

ESPAÑOL

PORTUGUÊS

РУССКИЙ

ΕΛΛΗΝΙΚΑ

TÜRKÇE

POLSKI

HET RACESTUUR EN DE PEDAALSET AUTOMATISCH KALIBREREN

Het stuur kalibreert zichzelf automatisch wanneer u het stuur op een stopcontact aansluit en de USB-connector van het stuur op de console aansluit.

Tijdens deze kalibratie zal het stuur snel 900 graden linksom en rechtsom draaien voordat het stopt in de middenstand.



WAARSCHUWING:

Tijdens het automatisch kalibreren mag u het stuur niet aanraken.

(Raakt u het stuur toch aan, dan kan dit leiden tot een onjuiste kalibratie en/of persoonlijk letsel).

AUTOMATISCH KALIBREREN VAN DE PEDAALSET

Sluit de pedaalsset nooit aan op de voet van het racestuur of koppel deze nooit los van de voet terwijl het is aangesloten op de console of tijdens het gamen. Doet u dit toch, dan kan dat leiden tot een onjuiste kalibratie.

Sluit altijd eerst de pedaalsset aan voordat u het racestuur aansluit op de console.

Nadat de kalibratie van het racestuur gereed is en de game gestart is, zijn de pedalen automatisch gekalibreerd na een paar keer intrappen.



WAARSCHUWING:

Trap de pedalen nooit in

tijdens het zelfkalibreren van het stuur of tijdens het laden van de game.

(Dit kan leiden tot een onjuiste kalibratie).

Als het racestuur en de pedaalsset niet goed werken of niet goed gekalibreerd lijken te zijn:

zet de console uit en koppel alle aansluitingen van het stuur los. Sluit daarna alle kabels weer aan, inclusief de voedingskabel en de pedaalsset, en herstart de console en de game.

INTERNE TEMPERATUURSENSOR

Het stuur wordt gekoeld door een koellichaam en een ventilator.

- De temperatuur van het stuur wordt continu gemeten door een thermostaat.
- Wanneer het stuur wordt gebruikt in een game:
 - Het stuur wordt warm en zodra een bepaalde temperatuur is bereikt, slaat de koelventilator aan (na enkele minuten gamen en afhankelijk van de intensiteit van de Force Feedback-effecten).
 - De intensiteit van de Force Feedback-effecten neemt automatisch af als het stuur erg warm wordt (om de motor te beschermen). De intensiteit van deze effecten neemt automatisch toe zodra de temperatuur weer iets zakt.
- Na gebruik van het stuur loopt de temperatuur slechts langzaam terug en zal de koelventilator blijven draaien totdat de gewenste lagere temperatuur is bereikt. De koeling van het racestuur is op deze wijze ontworpen om alle onderdelen maximaal te beschermen (het nakoelen kan 5 - 45 minuten duren, afhankelijk van de tijdens het gamen bereikte temperatuur).

MODE-KNOP EN INDICATOR (6)

MODE-knop voor de pedaalset

De pedaalset geleverd bij de T300 RS heeft twee pedalen.

Let er bij het gebruik van deze pedaalset op dat de indicator rood blijft branden. Is dit niet het geval, dan werkt het gaspedaal mogelijk niet correct.

De T300 RS is ook compatibel met de Thrustmaster-pedaalsets met drie pedalen (*worden apart verkocht*). Op deze sets is het mogelijk de functie van het koppelingspedaal en het gaspedaal te verwisselen.

Dit doet u door de MODE-knop (6) twee seconden ingedrukt te houden.

De door u ingestelde functie van de pedalen wordt opgeslagen in het interne geheugen van het racestuur.

GASPEDAAL EN KOPPELINGSPEDAAL	Kleur van de MODE-indicator (6)
NORMAAL	ROOD
VERWISSELD	GROEN

Meer functies van de MODE-knop

Meer informatie over de MODE-knop en de indicator vindt u op <http://ts.thrustmaster.com>. Klik in de sectie **Updates and Downloads** op **PlayStation® / Wheels / T300 RS** en selecteer **Manual/Help file**.

COMPATIBILITEIT MET ANDERE PRODUCTEN VAN THRUSTMASTER

De voet van de T300 RS is compatibele met:

- De volgende afneembare Thrustmaster-sturen: "Ferrari F1 Wheel Add-on*", "Ferrari GTE Wheel Add-on*", "T300 RS PS Wheel", "T500RS GT Wheel".
- De "Base Fixed Paddle Shifters*" kit waarmee vaste schakelflippers op de voet geïnstalleerd kunnen worden.
- De volgende Thrustmaster-pedaalsets: "T3PA*" (Thrustmaster 3 Pedals Add-on) en de pedaalset van het T500RS-racestuur.
- De volgende Thrustmaster-schakelpoken (versnellingsbakken): "TH8A*" en "TH8RS*".

* *Worden apart verkocht (meer informatie vindt u op <http://www.thrustmaster.com/products/t300rs>).*

HELPBESTANDEN EN FAQ'S (NIET OPGENOMEN IN DEZE HANDLEIDING)

Ga naar <http://ts.thrustmaster.com>, klik in de sectie **Updates and Downloads** op **PlayStation® / Wheels / T300 RS** en selecteer **Manual/Help file**.

TECHNISCHE ONDERSTEUNING

Mocht u problemen ondervinden met dit product, ga dan naar <http://ts.thrustmaster.com> en klik op **Technical Support**. U hebt daar toegang tot verschillende onderwerpen die u helpen bij het vinden van oplossingen, zoals de FAQ (veelgestelde vragen) en de meest recente drivers en software. Als het probleem op die manier niet kan worden verholpen, kunt u contact opnemen met de Thrustmaster product technical support service (Technical Support).

Per e-mail:

Voordat u gebruik kunt maken van technische ondersteuning per e-mail dient u zich eerst online te registreren. Met de door u verstrekte informatie kan uw probleem sneller en beter worden opgelost. Klik op **Registration** aan de linkerzijde van de pagina Technical Support en volg de aanwijzingen op het scherm. Indien u reeds geregistreerd bent, vult u de velden **Username** en **Password** in en klikt u op **Login**.

Per telefoon:

Openingsdagen en -uren en telefoonnummers kunnen gewijzigd worden. Ga naar <http://ts.thrustmaster.com> voor de actuele contactgegevens van Technical Support.

België	078 16 60 56 Kosten van interlokaal gesprek	Van maandag t/m vrijdag van 9:00 tot 20:00
Nederland	0900 0400 118 Kosten van lokaal gesprek	Van maandag t/m vrijdag van 9:00 tot 20:00

Informatie met betrekking tot kopersgarantie

Wereldwijd garandeert Guillemot Corporation S.A. ("Guillemot") de koper dat dit Thrustmaster-product vrij zal zijn van materiaal- en fabricagefouten gedurende een garantieperiode gelijk aan de tijd maximaal vereist om een restitutie/vervanging voor dit product te claimen. In landen van de Europese Unie komt dit overeen met een periode van twee (2) jaar vanaf het moment van levering van het Thrustmaster-product. In andere landen komt de garantieperiode overeen met de tijd maximaal vereist om een restitutie/vervanging voor dit Thrustmaster-product te claimen zoals wettelijk is vastgelegd in het land waarin de koper woonachtig was op de datum van aankoop van het Thrustmaster-product. Indien een dergelijk claimrecht niet wettelijk is vastgelegd in het betreffende land, geldt een garantieperiode van één (1) jaar vanaf datum aankoop van het Thrustmaster-product.

Ongeacht het hierboven gestelde, geldt voor oplaadbare batterijen een garantieperiode van zes (6) maanden vanaf datum aankoop.

Indien u in de garantieperiode een defect meent te constateren aan dit product, neem dan onmiddellijk contact op met Technical Support die u zal informeren over de te volgen procedure. Als het defect wordt bevestigd, dient het product te worden geretourneerd naar de plaats van aankoop (of een andere locatie die wordt opgegeven door Technical Support).

Binnen het gestelde van deze garantie wordt het defecte product van de koper gerepareerd of vervangen, zulks ter beoordeling van Technical Support. Indien toegestaan door van toepassing zijnde wetgeving, beperkt de volledige aansprakelijkheid van Guillemot en haar dochterondernemingen (inclusief de aansprakelijkheid voor vervolgschade) zich tot het repareren of vervangen van het Thrustmaster-product. Indien toegestaan door van toepassing zijnde wetgeving, wijst Guillemot elke garantie af met betrekking tot verhandelbaarheid of geschiktheid voor enig doel. De wettelijke rechten van de koper die van toepassing zijn op de verkoop van consumentproducten worden op generlei wijze door deze garantie beperkt.

Deze garantie is niet van kracht: (1) indien het product aangepast, geopend of gewijzigd is, of beschadigd is ten gevolge van oneigenlijk of onvoorzichtig gebruik, verwaarlozing, een ongeluk, normale slijtage, of enige andere oorzaak die niet gerelateerd is aan een materiaal- of fabricagefout (inclusief maar niet beperkt tot het combineren van het Thrustmaster-product met enig ongeschikt element waaronder in het bijzonder voedingsadapters, oplaadbare batterijen, opladers of enig ander element niet geleverd door Guillemot voor dit product); (2) indien u zich niet houdt aan de instructies zoals verstrekt door Technical Support; (3) op software die onder een specifieke garantie valt; (4) op verbruiksartikelen (elementen die tijdens de levensduur van het product worden vervangen zoals bijvoorbeeld batterijen of pads van een headset of koptelefoon); (5) op accessoires (zoals bijvoorbeeld kabels, behuizingen, hoesjes, etui's, draagtassen of polsbandjes); (6) indien het product werd verkocht op een openbare veiling.

Deze garantie is niet overdraagbaar.

Aansprakelijkheid

Indien toegestaan door van toepassing zijnde wetgeving, wijzen Guillemot Corporation S.A. (hierna te noemen "Guillemot") en haar dochterondernemingen alle aansprakelijkheid af voor enige schade veroorzaakt door één van de volgende oorzaken: (1) indien het product aangepast, geopend of gewijzigd is; (2) de montage-instructies niet zijn opgevolgd; (3) oneigenlijk of onvoorzichtig gebruik, verwaarlozing, een ongeluk (bijvoorbeeld stoten); (4) normale slijtage. Indien toegestaan onder van toepassing zijnde wetgeving, wijzen Guillemot en haar dochterondernemingen alle aansprakelijkheid af voor enige schade aan dit product niet gerelateerd aan een materiaal- of fabricagefout (inclusief maar niet beperkt tot enige schade direct of indirect veroorzaakt door enige software, of door het combineren van het Thrustmaster-product met enig ongeschikt element waaronder in het bijzonder voedingsadapters, oplaadbare batterijen, opladers of enig ander element niet geleverd door Guillemot voor dit product).

COPYRIGHT

© 2014 Guillemot Corporation S.A. Alle rechten voorbehouden. Thrustmaster® is een geregistreerd handelsmerk van Guillemot Corporation S.A. "PS", "PlayStation", "PS3" en "XBOX" zijn geregistreerde handelsmerken van Sony Computer Entertainment, Inc. "PS4" is een handelsmerk van hetzelfde bedrijf. Alle andere handelsmerken zijn het eigendom van hun respectieve eigenaren. Afbeeldingen zijn niet bindend. Inhoud, ontwerp en specificaties kunnen zonder kennisgeving vooraf worden gewijzigd en kunnen per land verschillen. Geproduceerd in China. TouchSense®-technologie onder licentie van Immersion Corporation. Beschermd door een of meer Amerikaanse patenten zoals vermeld op www.immersion.com/patent-marking.html en door andere aangevraagde patenten.

AANBEVELINGEN VOOR DE BESCHERMING VAN HET MILIEU



In de Europese Unie: Gooi dit product na het einde van de levensduur niet weg met het normale afval, maar breng het naar het door uw gemeente aangewezen inzamelpunt voor elektrische en/of computerapparatuur.

Ter herinnering is hiertoe op het product, de gebruikshandleiding of de verpakking een symbool aangebracht.

De meeste materialen kunnen worden gerecycled. Door recycling en andere methoden voor verantwoorde verwerking van afgedankte elektrische en elektronische apparaten kunt u een belangrijke bijdrage leveren aan de bescherming van het milieu.

Neem contact op met uw gemeente voor informatie over een inzamelpunt bij u in de buurt.

In alle andere landen: houd u aan de plaatselijk milieuwetgeving voor elektrische en elektronische apparaten.

Bewaar deze informatie. De kleuren en decoraties kunnen variëren.

Plastic bevestigingen en hechtmaterialen moeten van het product worden verwijderd voordat het wordt gebruikt.

www.thrustmaster.com

**Alleen van toepassing in de EU en Turkije*



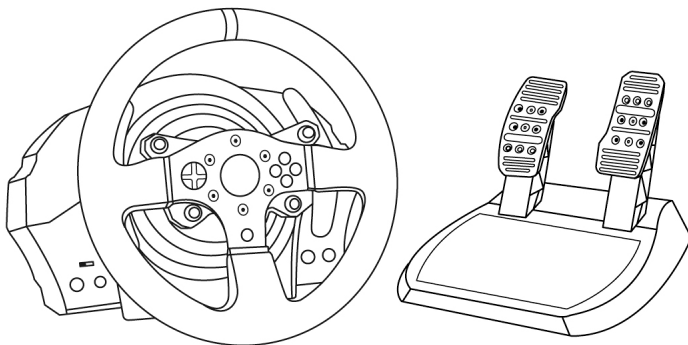
immersion.



T300RS

PER PLAYSTATION®3 – PLAYSTATION®4

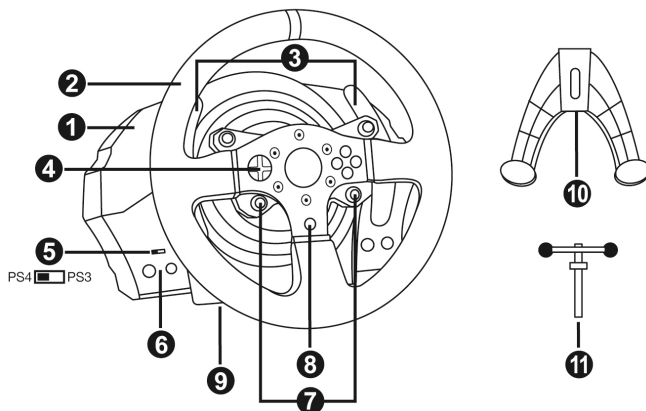
Manuale d'uso



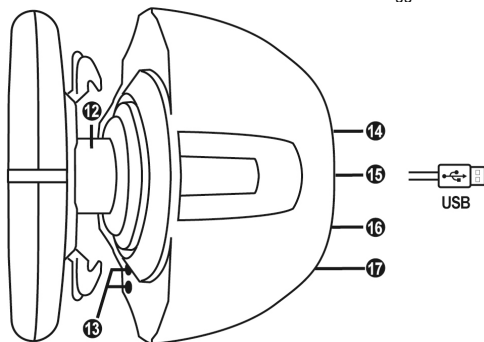
ATTENZIONE:

Per far sì che il tuo T300 RS funzioni correttamente con i giochi per PlayStation®3 o PlayStation®4, potrebbe rendersi necessario installare gli aggiornamenti automatici dei giochi (disponibili nel momento in cui la tua console viene collegata a internet).

CARATTERISTICHE TECNICHE



- | | |
|---|---|
| <ul style="list-style-type: none"> 1 Base T300 RS 2 Volante PS 3 2 leve del cambio sequenziali (Up e Down) 4 D-Pad multidirezionale 5 Selettore USB PS4™ o PS3™ 6 Pulsante MODE + spia luminosa rosso/verde | <ul style="list-style-type: none"> 7 Pulsanti SELECT/START su PS3™ e SHARE/OPTIONS su PS4™ 8 Pulsante PS 9 Ampio foro filettato (per sistema di aggancio e vite di fissaggio) 10 Sistema di aggancio 11 Vite di fissaggio in metallo |
|---|---|



- | | |
|---|--|
| <ul style="list-style-type: none"> 12 Thrustmaster Quick Release 13 Pulsanti L3/R3 14 Connettore di alimentazione (tipo A o B)
<i>(varia da una nazione all'altra)</i> | <ul style="list-style-type: none"> 15 Cavo USB e connettore del volante 16 Connettore per cambio (marce)
<i>(venduto separatamente)</i> 17 Connettore pedaliera |
|---|--|

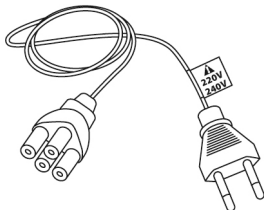
COLLEGARE IL VOLANTE A UNA PRESA DI CORRENTE: SI PREGA DI LEGGERE ATTENTAMENTE PRIMA DI PROCEDERE!

L'alimentatore del tuo volante varia a seconda della nazione in cui hai acquistato la tua periferica.
L'alimentazione potrebbe essere:

Interna, con:

* Un alimentatore collocato direttamente nella base del volante, con un connettore tipo A
Un cavo di alimentazione da 220-240V

= compatibile solo con correnti elettriche a 220-240V.



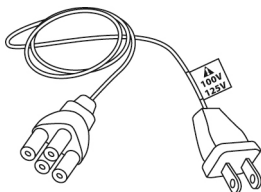
**Non collegare mai il cavo da 220-240V
a una presa elettrica a 100-130V!
Non collegare mai questo cavo a un adattatore!!!**



Interna, con:

* Un alimentatore collocato direttamente nella base del volante, con un connettore tipo A
* Un cavo di alimentazione da 100-125V

= compatibile solo con correnti elettriche a 100-125V.



**Non collegare mai il cavo da 100-125V
a una presa elettrica a 220-240V!!!
Non collegare mai questo cavo a un adattatore!!!**



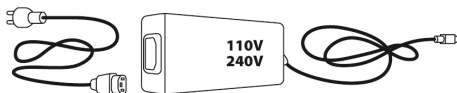
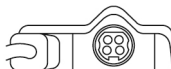
**IMPORTANTE: se non conosci il voltaggio della corrente elettrica presente nell'area in cui
stai utilizzando il tuo volante, ti invitiamo a contattare il tuo fornitore di energia elettrica.**

Esterna, con:

* un alimentatore esterno, con un connettore tipo B.

* un cavo di alimentazione.

= compatibile con tutti i tipi di voltaggio, da 110 a 240 V.



ATTENZIONE

Prima di utilizzare questo prodotto, ti invitiamo a leggere con attenzione il presente documento e a conservare quest'ultimo in caso avessi bisogno di consultarlo nuovamente.



Attenzione – Shock elettrico

- * Conserva questo prodotto in un luogo asciutto e non esporlo alla polvere o alla luce del sole.
- * Non torcere e non tirare i connettori e i cavi.
- * Non versare liquidi sul prodotto o sui relativi connettori.
- * Non cortocircuitare il prodotto.
- * Non smontare questo prodotto; non gettarlo nel fuoco e non esporlo alle alte temperature.
- * Non usare un altro cavo di alimentazione oltre a quello fornito assieme al tuo volante.
- * Non utilizzare il cavo di alimentazione qualora quest'ultimo o i connettori dovessero risultare danneggiati, divisi o rotti.
- * Assicurati che il cavo di alimentazione si ben inserisca in una presa di corrente e correttamente connesso al connettore presente nella parte posteriore della base del volante.
- * Non aprire il volante: all'interno non vi sono componenti utili all'utente. Qualunque riparazione dovrà essere effettuata dal produttore, da un suo rappresentante autorizzato o da un tecnico qualificato.
- * Usa unicamente sistemi di fissaggio/ accessori indicati dal produttore.
- * Qualora il volante non dovesse funzionare correttamente (se dovesse generare un qualunque suono inusuale, calore o odori), smetti immediatamente di utilizzarlo, scollega il cavo di alimentazione dal relativo connettore e scollega tutti gli altri cavi.
- * Se pensi di non dover utilizzare il volante per un lungo periodo di tempo, scollega l'alimentatore dalla presa di corrente.



Prese d'aria

Accertati di non ostruire nessuna delle prese d'aria presenti nella base del volante. per una ventilazione ottimale, attieniti alle seguenti indicazioni:

- * Colloca la base ad almeno 10cm di distanza dal muro.
- * Non collocare la base in uno spazio angusto.
- * Non coprire la base.
- * Non lasciare che la polvere penetri nella prese d'aria.



Per motivi di sicurezza, non utilizzare mai la pedaliera a piedi nudi o indossando solamente i calzini.

THRUSTMASTER® DECLINA OGNI RESPONSABILITÀ IN CASO DI INFORTUNI DERIVANTI DALL'USO DELLA PEDALIERA SENZA SCARPE.



Attenzione – Infortuni derivanti dal force feedback e dai movimenti ripetuti

Giocare con un volante force-feedback potrebbe causare dolori muscolari o articolari. Per evitare qualsiasi problema:

- * Evita di giocare per lunghi periodi di tempo.
- * Prenditi 10-15 minuti di pausa per ogni ora di gioco.
- * Qualora dovessi avvertire fatica o dolore a mani, polsi, braccia, piedi o gambe, smetti di giocare e riposati per alcune ore prima di ricominciare a giocare.



Attenzione – Infortuni derivanti dal force feedback e dai movimenti ripetuti (seguito)

- * Qualora i sintomi o il dolore sopradescritti dovessero persistere anche quando ricominci a giocare, smetti di giocare e consulta il tuo medico.
- * Tenere lontano dalla portata dei bambini.
- * Nei giochi, mantieni sempre le mani sul volante in posizione corretta, senza mai lasciarlo andare completamente.
- * Mentre giochi, non infilare mai le tue mani o le tue dita sotto ai pedali o in una qualunque posizione nei pressi della pedaliera.
- * Durante la calibrazione e mentre giochi, non infilare mai la tua mano o il tuo braccio attraverso le aperture del volante.
- * Assicurati che la base del volante sia ben fissata, così come indicato dalle istruzioni nel presente manuale.

PRODOTTO PESANTE



Prodotto maneggiabile solo da utenti con un'età minima di 16 anni



Fai attenzione a non far cadere il prodotto addosso a te o a chiunque altro!

SEMPRE



MAI



MAI





Attenzione – Rischio di schiacciamento da pedaliera mentre giochi

- * Tieni la pedaliera lontana dai bambini.
- * Mentre giochi, non appoggiare mai le tue dita sui pedali o nelle immediate vicinanze.
- * Mentre giochi, non appoggiare mai le tue dita sulla base posteriore dei pedali o nelle immediate vicinanze.
- * Mentre giochi, non appoggiare mai le tue dita sulla base anteriore dei pedali o nelle immediate vicinanze.



Attenzione – Rischio di schiacciamento da pedaliera quando non giochi

- * Conserva la pedaliera in un posto sicuro e tienila lontana dalla portata dei bambini.

AGGIORNARE IL FIRMWARE DEL TUO VOLANTE

Il firmware presente nella base del tuo volante può essere aggiornato ad una versione più recente, per apportare migliorie al prodotto.

Per visualizzare la versione del firmware attualmente presente nel tuo volante e, se necessario, aggiornarla: su PC, collegati al sito <http://ts.thrustmaster.com>. Nella sezione **Updates and Downloads**, clicca su **PlayStation® / Volanti / T300 RS**, quindi scegli **Driver/Firmware** e segui le istruzioni sulla procedura di download e installazione.

INSTALLARE IL VOLANTE SULLA SUA BASE

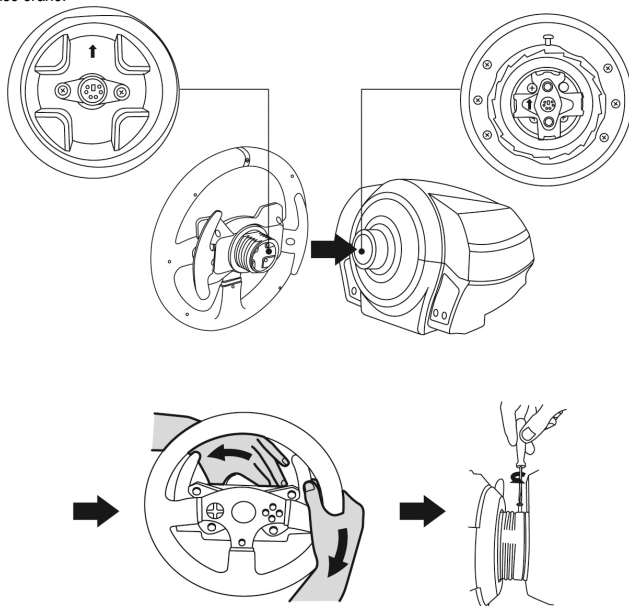
Allinea correttamente i connettori utilizzando le frecce:

Connettore della base (1): freccia rivolta verso l'alto

Connettore del volante (2): freccia rivolta verso l'alto

Dopo aver correttamente posizionato i connettori, non devi far altro che ruotare in senso antiorario l'anello del sistema Thrustmaster Quick Release (12), tenendo il volante (2) fermo in posizione.

Dopodiché, stringi l'anello più a fondo che puoi; per far questo, tieni l'anello in posizione e ruota il volante in senso orario.



Dopo aver installato il volante, ruotalo di 180° (guardando il volante, il logo PlayStation® deve apparire ribaltato) per accedere alla piccola vite di fissaggio presente sull'anello del sistema Thrustmaster Quick Release (12). Utilizzando un grande cacciavite Phillips, stringi la piccola vite di fissaggio (senza usare troppa forza), facendola ruotare in senso orario.



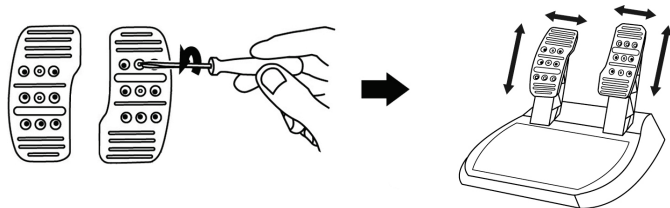
Non utilizzare troppa forza per stringere la piccola vite di fissaggio (con un cacciavite Phillips)!
Smetti di avvitare non appena avverti un po' di resistenza.

REGOLARE L'ALTEZZA E LA DISTANZA DEI PEDALI

Utilizzando un cacciavite Phillips (non incluso), estrai le 2 viti che tengono le teste dei pedali attaccate alle relative staffe.

Dopodiché, regola l'altezza delle teste e la reciproca distanza in base al tuo stile di guida preferito:

- per il pedale dell'acceleratore è possibile scegliere tra 6 diverse posizioni.
- per il pedale del freno è possibile scegliere tra 6 diverse posizioni.

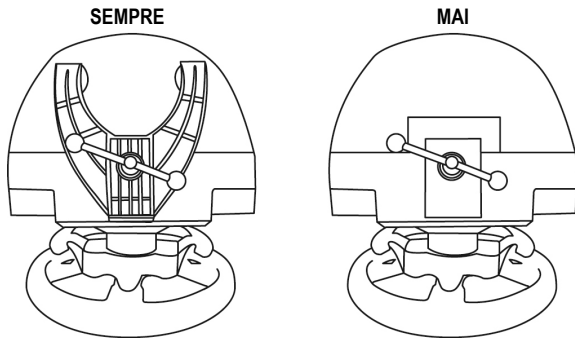


Una volta selezionate le altezze e le distanze volute, riavvita le 2 viti che fissano le teste dei pedali alle relative staffe.

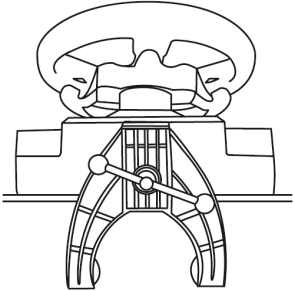
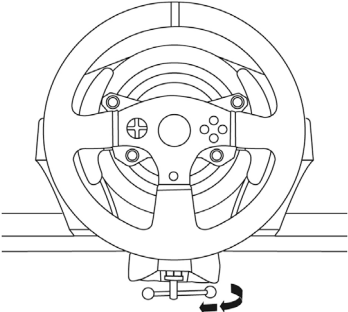
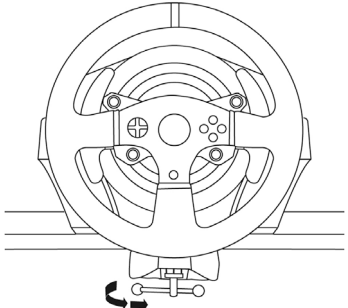
FISSARE IL VOLANTE

FISSARE il volante a un tavolo o a una scrivania

1. Colloca il volante su un tavolo o su qualsiasi altra superficie piana, orizzontale e stabile.
2. Inserisci la vite di fissaggio (11) nel sistema di aggancio (10), dopodiché blocca la periferica ruotando la vite in senso antiorario, in modo tale che questa penetri nell'ampio foro filettato (9) presente nella parte inferiore del volante, finché il volante non risulti perfettamente stabile.



ATTENZIONE: Non stringere mai la vite da sola, senza il sistema di aggancio!
(Ciò potrebbe danneggiare il volante.)

AGGANCIO / RIMOZIONE	DIREZIONE
<p><u>Per stringere:</u></p> <p><i>Gira la vite in senso antiorario</i></p>	 
<p><u>Per allentare:</u></p> <p><i>Gira la vite in senso orario</i></p>	

Aggianciare la base del volante ad un abitacolo

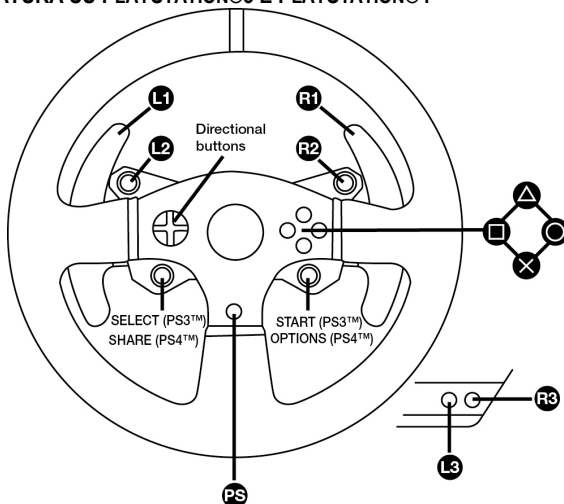
1. Colloca la base del volante sul piano dell'abitacolo.
2. Fai passare due viti tipo M6 (non incluse) attraverso il piano dell'abitacolo, quindi avvitalo nei due fori per le viti presenti nella parte posteriore del volante.
Importante: la lunghezza delle due viti tipo M6 non dovrà superare lo spessore del piano + 12 mm; viti più lunghe potrebbero danneggiare le componentistiche presenti all'interno della base del volante.
3. Se necessario, stringi il sistema di aggancio standard inserendo la vite di fissaggio nell'apposito ampio foro filettato.

Aggianciare la pedaliera ad un abitacolo

1. Aggancia la pedaliera sfruttando i piccoli fori per le viti presenti sulla sua parte posteriore.
2. Fai passare due viti tipo M6 (non incluse) attraverso il piano dell'abitacolo, quindi avvitalo nei due fori per le viti presenti sulla parte posteriore della pedaliera.
Importante: la lunghezza delle due viti tipo M6 non dovrà superare lo spessore del piano + 10 mm; viti più lunghe potrebbero danneggiare le componentistiche presenti all'interno della base del volante.

*I diagrammi delle configurazioni per gli abitacoli (per il posizionamento della base del volante e/o della pedaliera) sono disponibili sul sito <http://ts.thrustmaster.com>: nella sezione **Updates and Downloads**, clicca su **PlayStation® / Wheels / T300 RS**, quindi scegli **Manual/Help file**.*

MAPPATURA SU PLAYSTATION®3 E PLAYSTATION®4



INSTALLARE IL VOLANTE SU PLAYSTATION®3 o PLAYSTATION®4

1. Collega la pedaliera al connettore (17) presente nella parte posteriore della base del volante.
2. Collega il cavo di alimentazione al connettore (14) presente nella parte posteriore della base del volante.
3. Collega il cavo di alimentazione a una presa di corrente, rispettando le indicazioni sul voltaggio elettrico.



Per ulteriori informazioni su questo punto, consulta il capitolo COLLEGARE IL VOLANTE A UNA PRESA DI CORRENTE, a pagina 3 del presente manuale.

4. Sposta il selettore USB (5) della base del volante in posizione PS3™ o PS4™, in base alla console o al gioco utilizzato.
5. Collega il connettore USB del volante (15) ad una delle porte USB della console.
6. Una volta accesa la tua console, il tuo volante si calibrerà automaticamente.
7. Su PlayStation®4 (con il selettore USB in posizione PS4™): per poter utilizzare il volante, premi il pulsante PS del volante (8) e accedi al tuo account Sony Entertainment Network.

Ora sei pronto/a per giocare!

Note importanti:

- Prima di collegare il cavo USB del volante alla console, il selettore USB (5) presente sulla base del volante dovrà sempre trovarsi nella corretta posizione (PS3™ o PS4™). Per cambiare la posizione del selettore, scollega il cavo USB dalla console e cambia la posizione del selettore prima di ricollegare il cavo USB alla console.
- Su PlayStation®3, il selettore USB (5) dovrà sempre trovarsi in posizione PS3™:
 - * Nella maggior parte dei giochi, il volante verrà riconosciuto come un volante T500RS.
 - * Il volante funziona con i giochi compatibili e nei menu della console.
 - * La funzione "PS" è attiva sul volante.
- Su PlayStation®4, con il selettore USB (5) in posizione PS3™:
 - * Nella maggior parte dei giochi, il volante verrà riconosciuto come un volante T500RS.
 - * Il volante funziona con i giochi compatibili, ma non nei menu della console.
 - * Le funzioni "SHARE" e "PS" non funzionano sul volante.
- Su PlayStation®4, con il selettore USB (5) in posizione PS4™:
 - * Per poter utilizzare il volante, ricordati di premere il pulsante PS del volante (8).
 - * Nella maggior parte dei giochi, il volante verrà riconosciuto come un volante T300 RS.
 - * Il volante funziona con i giochi compatibili e nei menu della console.
 - * Le funzioni "SHARE" e "PS" sono attive sul volante.
- *L'elenco dei giochi per PlayStation®3 e PlayStation®4 compatibili con il T300 RS (oltre alla posizione del selettore USB (5) richiesta per i vari giochi) è disponibile sul sito: <http://ts.thrustmaster.com> (nella sezione Updates and Downloads, clicca su PlayStation / Wheels / T300 RS).*
Questo elenco viene aggiornato regolarmente.

CONFIGURAZIONE DEL VOLANTE PER PC

Nota importante:

Su PC, il selettore USB (5) della base del volante deve essere sempre in posizione PS3™.

1. Vai sul sito <http://ts.thrustmaster.com> per scaricare i driver e il software Force Feedback per PC. Nella sezione Updates and Downloads, clicca su PC / Wheels / T300 RS, dopodiché seleziona Drivers.
2. Una volta completato il download, avvia l'installazione e segui le istruzioni che appariranno sullo schermo per collegare al computer il connettore USB del tuo volante e completare l'installazione.
3. Una volta completata l'installazione, clicca su Fine e riavvia il tuo computer.
4. Seleziona Start / Tutti i programmi / Thrustmaster / FFB Racing Wheel / Pannello di Controllo per aprire la finestra Controller di Gioco.

Nella finestra Controller di Gioco comparirà il volante col nome T300 RS Racing Wheel con associato lo stato di OK.

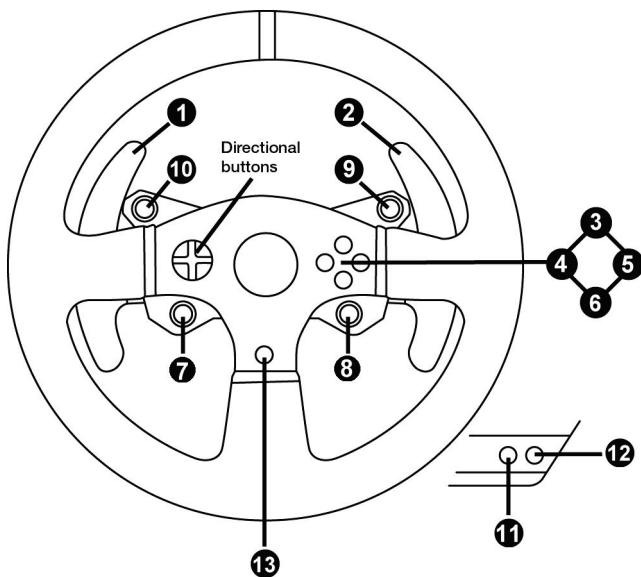
5. Clicca su Proprietà per configurare il tuo volante nel pannello di controllo di T300 RS:

- Scheda Test Input: permette di testare e visualizzare i pulsanti azione, i pulsanti direzionali, gli assi di volante e pedali, oltre a regolare l'angolo di rotazione del volante nei tuoi giochi per PC.
- Scheda Test Forze: consente di testare 12 effetti force feedback.
- Scheda Impostazioni Guadagno: permette di regolare la potenza degli effetti force feedback nei tuoi giochi per PC.

Ora sei pronto per giocare!

Note generali:

- Su PC, prima di avviare il gioco, clicca su OK per chiudere la finestra Controller di Gioco.
- Su PC, i parametri impostati nella finestra Periferiche di Gioco verranno salvate solo sul tuo computer (di conseguenza, non avranno alcun effetto su PlayStation®3 o PlayStation®4).
- La versione del firmware del tuo volante viene visualizzata nell'angolo in alto a destra nelle schede del pannello di controllo del T300 RS.



CALIBRAZIONE AUTOMATICA DI VOLANTE E PEDALIERA

Il volante si calibra automaticamente nel momento in cui colleghi il volante alla rete elettrica e inserisci nella console il connettore USB del volante.

Durante questa fase, il volante si muoverà rapidamente a destra e a sinistra, coprendo un angolo di 90 gradi, prima di fermarsi in posizione centrale.



ATTENZIONE:

Non toccare mai il volante durante la fase di auto-calibrazione!
(Ciò potrebbe causare un'errata calibrazione e/o infortuni personali.)

CALIBRAZIONE AUTOMATICA DELLA PEDALIERA

Non collegare mai la pedaliera alla base del volante (né scollegarla mai dalla base) mentre il volante è collegato alla console o durante i giochi (ciò potrebbe causare un'errata calibrazione).

Collega sempre la pedaliera prima di collegare il volante alla console.

Una volta completata la calibrazione del volante e avviato il gioco, i pedali si auto-calibreranno dopo averli premuti alcune volte.



ATTENZIONE:

Non premere mai i pedali durante la fase di auto-calibrazione del volante o durante il caricamento di un gioco!
(Ciò potrebbe causare un'errata calibrazione.)

Qualora il tuo volante e la tua pedaliera non funzionassero correttamente, o se la calibrazione dovesse apparirti errata:

Spegni la tua console, scollega completamente il tuo volante, ricollega tutti i cavi (compresi il cavo di alimentazione e la pedaliera), quindi riavvia la tua console e il tuo gioco.

SENSORE TEMPERATURA INTERNA

Il sistema di raffreddamento del volante è composto da un dissipatore e da una ventola.

- Un termostato monitora la temperatura interna del volante.
- Quando usi il volante in un gioco:
 - la ventola di raffreddamento si avvia nel momento in cui il volante ha raggiunto una data temperatura (dopo alcuni minuti di gioco, a seconda dell'intensità degli effetti the Force Feedback utilizzati).
 - la forza degli effetti Force Feedback diminuisce automaticamente all'aumentare della temperatura interna (per proteggere il motore). La potenza di tali effetti aumenta automaticamente non appena la temperatura dovesse calare leggermente.
- Quando smetti di giocare: a causa dell'inerzia termica del motore, la ventola continua a girare finché la temperatura non scende al di sotto del livello iniziale di avvio. Il tuo volante è stato così progettato per facilitarne il raffreddamento e per proteggere il motore (questa operazione potrebbe durare da 5 a 45 minuti, a seconda della temperatura raggiunta durante l'uso del volante in un gioco).

PULSANTE MODE E SPIA LUMINOSA (6)

Pulsante MODE per la pedaliera

La pedaliera acclusa al T300 RS presenta 2 pedali.

Durante l'uso della pedaliera, assicurati che il led resti sempre acceso in rosso, altrimenti il pedale dell'acceleratore non funzionerà correttamente.

Il T300 RS è compatibile anche con pedalieri Thrustmaster a 3 pedali (*vendute separatamente*); in questo modo potrai scambiare elettronicamente fra loro i pedali di acceleratore e frizione.

Per far questo, non devi far altro che tenere premuto il pulsante MODE (6) per 2 secondi.

Lo stato dell'attivazione dello scambio tra i pedali viene salvato nella memoria interna del volante.

PEDALI ACCELERATORE E FRIZIONE	Colore del led MODE (6)
NORMALI	ROSSO
SCAMBIATI	VERDE

Altri consigli per il pulsante MODE

Per saperne di più sul pulsante e sul led MODE, consulta il sito <http://ts.thrustmaster.com>; nella sezione **Updates and downloads**, clicca su **PlayStation® / Wheels / T300 RS**, quindi scegli **Manual/Help file**.

COMPATIBILITÀ CON L'ECOSISTEMA DEI PRODOTTI THRUSTMASTER

La base del T300 RS è compatibile con:

- I seguenti volanti Thrustmaster rimovibili: "Ferrari F1 Wheel Add-on*", "Ferrari GTE Wheel Add-on*", "T300 RS PS Wheel", "T500RS GT Wheel**".
- Il kit "Base Fixed Paddle Shifters*", che ti permette di installare sulla base delle leve del cambio fisse.
- Le seguenti pedalieri Thrustmaster: "T3PA*" (Thrustmaster 3 Pedals Add-on) e la pedaliera del volante T500RS.
- I seguenti sistemi Thrustmaster per il cambio (della marcia): "TH8A*" e "TH8RS**".

* *Venduto separatamente (per ulteriori informazioni, visita il sito <http://www.thrustmaster.com/products/t300rs>).*

FILE DI AIUTO E FAQ (NON INCLUSI NEL PRESENTE MANUALE)

Visita il sito <http://ts.thrustmaster.com> e nella sezione **Updates and Downloads**, clicca su **PlayStation® / Wheels / T300 RS**, dopodiché scegli **Manual/Help file**.

ASSISTENZA TECNICA

Qualora riscontrassi un problema con il tuo prodotto, accedi al sito <http://ts.thrustmaster.com> e clicca su **Technical Support**. Da qui, potrai accedere a vari servizi ed informazioni (Risposte alle Domande più Frequenti (FAQ), le più recenti versioni di driver e software) che potrebbero esserti utili per risolvere il tuo problema. Qualora il problema persistesse, puoi contattare il servizio di assistenza tecnica Thrustmaster ("Technical Support"):

Per e-mail:

Per poter usufruire del servizio di assistenza tecnica tramite e-mail, dovrai prima registrarti online. Le informazioni che fornirai aiuteranno i nostri esperti a risolvere più rapidamente il tuo problema. Fai clic su **Registration** nella parte sinistra della pagina di Assistenza Tecnica e segui le istruzioni che appariranno sullo schermo. Se sei già registrato, riempi i campi **Username** e **Password** e clicca quindi su **Login**.

Per telefono:

Gli giorni e orari di reperibilità e i numeri telefonici sono soggetti a modifiche. Per conoscere le informazioni più aggiornate su come contattare il Servizio di Assistenza Tecnica, ti preghiamo di visitare il sito <http://ts.thrustmaster.com>.

Italia

800035261
Numero gratuito

Lun - Ven: 9:00-13:00 e 14:00-18:00

Informazioni sulla garanzia al consumatore

A livello mondiale, Guillemot Corporation S.A. (d'ora in avanti "Guillemot") garantisce al consumatore che il presente prodotto Thrustmaster sarà privo di difetti relativi ai materiali e alla fabbricazione, per un periodo di garanzia corrispondente al limite temporale stabilito per la presentazione di un reclamo riguardante la conformità del prodotto in questione. Nei paesi della Comunità Europea, tale periodo equivale a due (2) anni a partire dalla consegna del prodotto Thrustmaster. In altri paesi, la durata della garanzia corrisponde al limite temporale stabilito per la presentazione di un reclamo riguardante la conformità del prodotto Thrustmaster in base alle leggi applicabili nel paese in cui il consumatore risiedeva alla data di acquisto del prodotto Thrustmaster (qualora nel paese in questione non esistesse alcuna norma a riguardo, il periodo di garanzia corrisponderà a un (1) anno a partire dalla data originale di acquisto del prodotto Thrustmaster). Diversamente da quanto affermato in precedenza, le batterie ricaricabili sono coperte da una garanzia di sei (6) mesi dalla data di acquisto originale.

Qualora, durante il periodo di garanzia, il prodotto dovesse apparire difettoso, contatti immediatamente l'Assistenza Tecnica, che le indicherà la procedura da seguire. Qualora il difetto dovesse essere confermato, il prodotto dovrà essere riportato al luogo di acquisto (o qualsiasi altro luogo indicato dall'Assistenza Tecnica).

Nel contesto della presente garanzia, il prodotto difettoso di proprietà del consumatore potrà essere riparato oppure sostituito, a discrezione dell'Assistenza Tecnica. Qualora le leggi applicabili in materia lo consentano, la totale responsabilità di Guillemot e delle sue controllate (compresi i danni conseguenti) si limita alla riparazione o alla sostituzione del prodotto Thrustmaster. Qualora le leggi applicabili in materia lo consentano, Guillemot declina ogni garanzia sulla commerciabilità o la conformità a finalità particolari. I diritti legali del consumatore, stabiliti dalle leggi vigenti in materia di vendita di beni di consumo, non vengono intaccati dalla presente garanzia.

La presente garanzia non potrà essere applicata: (1) se il prodotto è stato modificato, aperto, alterato o ha subito danni derivanti da un uso inappropriato o non autorizzato, da negligenza, da un incidente, dalla semplice usura, o da qualsiasi altra causa non riconducibile a difetti nei materiali o nell'assemblaggio (compresi, ma non i soli, prodotti Thrustmaster combinati con elementi inadatti, tra cui, in particolare, batterie ricaricabili, caricatori o qualsiasi altro elemento non fornito da Guillemot per questo prodotto); (2) in caso di mancato rispetto delle istruzioni fornite dall'Assistenza Tecnica; (3) in caso di software, ovvero software soggetto a una specifica garanzia; (4) ai materiali di consumo (elementi che richiedono la loro sostituzione al termine della loro durata di esercizio come, ad esempio, batterie di tipo convenzionale o cuscinetti protettivi per auricolari o cuffie); (5) agli accessori (ad esempio, cavi, custodie, borsette, borse, cinturini); (6) se il prodotto è stato venduto ad un'asta pubblica.

La presente garanzia non è trasferibile.

Responsabilità

Qualora le leggi applicabili in materia lo consentano, Guillemot Corporation S.A. (d'ora in avanti "Guillemot") e le sue controllate declinano ogni responsabilità per qualsiasi danno derivante da almeno una delle seguenti condizioni: (1) il prodotto è stato modificato, aperto o alterato; (2) mancato rispetto delle istruzioni di installazione; (3) uso inappropriato o non permesso, negligenza, incidente (come, ad esempio, un impatto); (4) semplice usura. Qualora le leggi applicabili in materia lo consentano, Guillemot e le sue controllate declinano ogni responsabilità per qualsiasi danno non riconducibile a difetti nei materiali o nella fabbricazione del prodotto (compresi, ma non i soli, potenziali danni causati direttamente o indirettamente da un qualunque software, oppure dall'uso del prodotto Thrustmaster in combinazione con elementi inadatti, tra cui, in particolare, batterie ricaricabili, caricatori o qualsiasi altro elemento non fornito da Guillemot per questo prodotto).

COPYRIGHT

© 2014 Guillemot Corporation S.A. Tutti i diritti riservati. Thrustmaster® è un marchio registrato da Guillemot Corporation S.A. "PS", "PlayStation", "PS3" e "XBOX" sono marchi registrati da Sony Computer Entertainment, Inc. "PS4" è un marchio appartenente alla medesima compagnia. Tutti gli altri marchi appartengono ai legittimi proprietari. Illustrazioni puramente indicative. I contenuti, i design e le caratteristiche possono essere oggetto di modifiche senza preavviso e possono variare da una nazione all'altra. Fabbricato in Cina.

Tecnologia TouchSense® su licenza di Immersion Corporation. Protetta da uno o più Brevetti degli Stati Uniti, consultabili al seguente indirizzo: www.immersion.com/patent-marking.html, oltre ad altri brevetti in fase di approvazione.

RACCOMANDAZIONI SULLA TUTELA DELL'AMBIENTE



* Nell'Unione Europea: Al termine della sua vita operativa, questo prodotto non dovrebbe essere gettato assieme ai comuni rifiuti, ma dovrebbe essere portato ad un apposito punto di raccolta destinato al riciclaggio del Materiale Elettrico ed Elettronico.

Ciò è confermato dal simbolo riportato sul prodotto, nel manuale d'uso o sulla confezione.

A seconda delle proprie caratteristiche, i materiali potrebbero essere riciclati. Tramite il riciclaggio ed altre forme di trattamento del Materiale Elettrico ed

Elettronico, è possibile fornire un importante contributo per la salvaguardia dell'ambiente.

Per conoscere i punti di raccolta più vicini a te, contatta le autorità locali competenti.

In tutti gli altri Paesi: per favore, rispetta le leggi locali sul riciclo dei materiali elettrici ed elettronici.

Informazioni da conservare. I colori e le decorazioni possono variare.

I ganci di plastica e gli adesivi dovrebbero essere rimossi dal prodotto prima che quest'ultimo venga utilizzato.

www.thrustmaster.com

**Valido solo in UE e Turchia*



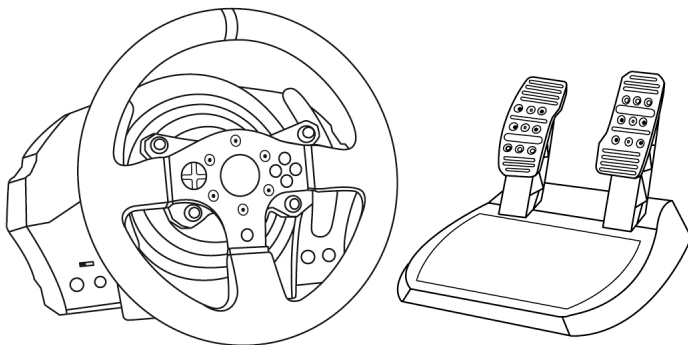
immersion.



T300RS

PARA PLAYSTATION®3 – PLAYSTATION®4

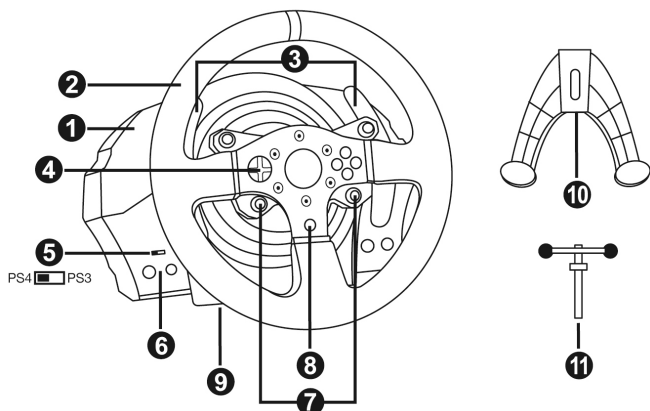
Manual del usuario



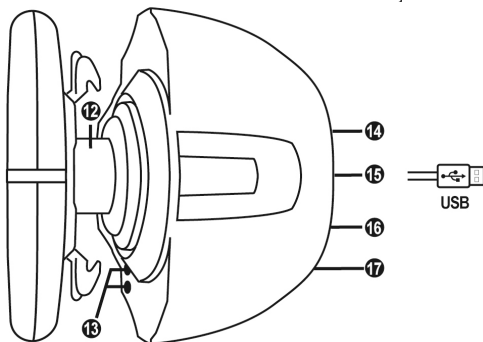
ADVERTENCIA:

Para asegurarte de que tu volante de carreras T300 RS funcione correctamente con juegos para PlayStation®3 o PlayStation®4, puede que tengas que instalar las actualizaciones automáticas de los juegos (disponibles cuando tu consola está conectada a Internet).

CARACTERÍSTICAS TÉCNICAS



- | | |
|---|---|
| <ul style="list-style-type: none"> 1 Base de T300 RS 2 Volante PS 3 2 levas de cambio secuenciales (Up y Down) 4 D-Pad multidireccional 5 Interruptor selector de USB de PS4™ o PS3™ 6 Botón MODE + luz indicadora roja/verde | <ul style="list-style-type: none"> 7 Botones SELECT/START en PS3™ y SHARE/OPTIONS en PS4™ 8 Botón PS 9 Agujero roscado grande (para sistema de fijación y tornillo de apriete) 10 Sistema de fijación 11 Tornillo de fijación metálico |
|---|---|



- | | |
|---|--|
| <ul style="list-style-type: none"> 12 Thrustmaster Quick Release 13 Botones L3/R3 14 Conector de fuente de alimentación (tipo A o B) (varía de un país a otro) | <ul style="list-style-type: none"> 15 Conector y cable USB del volante de carreras 16 Conector del cambio de marchas (caja de cambios) (se vende por separado) 17 Conector de los pedales |
|---|--|

¡CONEXIÓN DEL VOLANTE DE CARRERAS A UN ENCHUFE ELÉCTRICO: LEER ANTES DE CONTINUAR!

La fuente de alimentación del volante de carreras varía en función del país en el que hayas comprado el dispositivo.

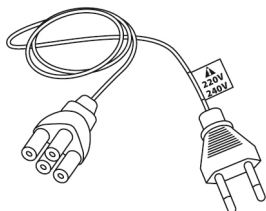
La fuente de alimentación puede ser:

Interna, con:

* Una unidad de fuente de alimentación situada directamente en el interior de la base del volante de carreras, con un conector de tipo A.

* Un cable de fuente de alimentación de 220-240 V.

= compatible sólo con un suministro eléctrico de 220-240 V.



!!! No conectes nunca el cable de 220-240 V a un enchufe eléctrico de 100-130 V!!!
!!! No conectes nunca este cable a un adaptador de corriente eléctrica!!!

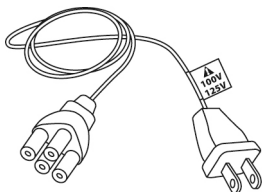


Interna, con:

* Una unidad de fuente de alimentación situada directamente en el interior de la base del volante de carreras, con un conector de tipo A.

* Un cable de fuente de alimentación de 100-125 V.

= compatible sólo con un suministro eléctrico de 100-125 V.



!!! No conectes nunca el cable de 100-125 V a un enchufe eléctrico de 220-240 V!!!
!!! No conectes nunca este cable a un adaptador de corriente eléctrica!!!



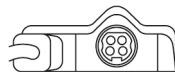
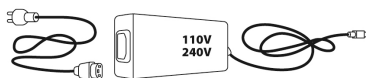
¡IMPORTANTE: Si no sabes qué tensión se suministra en la zona en la que estás usando el volante de carreras, consulta a tu suministrador eléctrico local.

Externo, con:

* Una unidad de fuente de alimentación externa, con un conector de tipo B.

* Un cable de fuente de alimentación.

= compatible con todas las tensiones eléctricas, a partir de 110-240 V.



ADVERTENCIAS

Antes de utilizar este producto, lee detenidamente este manual y consérvalo para consultarlo posteriormente.



Advertencia – Descarga eléctrica

- * Mantén el producto en un lugar seco y no lo expongas al polvo ni a la luz directa del sol.
- * No retuerzas ni tires de los conectores ni de los cables.
- * No derrames líquidos en el producto ni en sus conectores.
- * No cortocircuites el producto.
- * No desmontes nunca el producto ni lo lances al fuego ni lo expongas a temperaturas elevadas.
- * No utilices otro cable de fuente de alimentación distinto del proporcionado con el volante de carreras.
- * No utilices el cable de fuente de alimentación si el cable o los conectores están dañados, partidos o rotos.
- * Asegúrate de que el cable de fuente de alimentación esté enchufado correctamente en un enchufe eléctrico, y conectado correctamente al conector de la parte trasera de la base del volante de carreras.
- * No abras el volante de carreras: en el interior no hay piezas que el usuario pueda arreglar. Las reparaciones las debe realizar el fabricante, su representante autorizado o un técnico cualificado.
- * Utiliza únicamente sistemas de fijación/accesorios especificados por el fabricante.
- * Si el volante de carreras se comporta de forma anormal (si emite sonidos anormales, calor u olores), deja de utilizarlo inmediatamente, desenchufa el cable de fuente de alimentación del enchufe eléctrico y desconecta los demás cables.
- * Si no vas a utilizar el volante de carreras durante un período de tiempo prolongado, desenchufa su cable de fuente de alimentación del enchufe eléctrico.



Rejillas de ventilación

Asegúrate de no bloquear ninguna de las rejillas de ventilación de la base del volante de carreras. Para obtener una ventilación óptima, respeta los puntos siguientes:

- * Coloca la base del volante al menos a 10 cm de distancia de las paredes.
- * No coloques la base en espacios estrechos.
- * No tapes la base.
- * No dejes que se acumule polvo en las rejillas de ventilación.



Por razones de seguridad, no uses nunca los pedales con los pies descalzos o únicamente con calcetines en los pies.

THRUSTMASTER® DECLINA TODA RESPONSABILIDAD EN CASO DE LESIONES PRODUCTO DEL USO DE LOS PEDALES SIN CALZADO.



Advertencia – Lesiones debidas al Force Feedback y los movimientos repetitivos

Jugar con un volante con Force Feedback puede producir dolor en las articulaciones o en los músculos. Para evitar problemas:

- * Evita jugar durante períodos prolongados.
- * Haz descansos de 10 a 15 minutos por cada hora de juego.
- * Si sientes fatiga o dolor en las manos, muñecas, brazos, pies o piernas, deja de jugar y descansa durante unas horas antes de volver a jugar.



Advertencia – Lesiones debidas a Force Feedback y los movimientos repetitivos (continuación)

- * Si los síntomas o el dolor indicados anteriormente persisten cuando vuelves a jugar, deja de hacerlo y consulta al médico.
- * Mantén el volante fuera del alcance de los niños.
- * Durante el juego, mantén siempre ambas manos colocadas correctamente en el volante sin dejarlas completamente caídas.
- * Mientras estés jugando, no coloques nunca las manos ni los dedos debajo de los pedales, ni tampoco cerca de ellos.
- * Durante la calibración y el juego, no metas nunca las manos ni los brazos a través de las aberturas del volante de carreras.
- * Asegúrate de que la base del volante de carreras esté fijada correctamente, según las instrucciones de este manual.

PRODUCTO PESADO



El producto sólo puede ser manejado por usuarios de 16 años de edad como mínimo



¡Ten cuidado de no dejar caer el producto encima de ti o de otra persona!

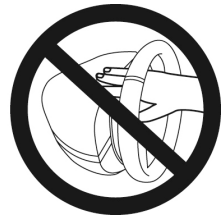
SIEMPRE



NUNCA



NUNCA





Advertencia – Peligro de pillarse los dedos con los pedales mientras se juega

- * Mantén los pedales fuera del alcance de los niños.
- * Cuando juegues, no pongas nunca los dedos en los lados de los pedales ni cerca de ellos.
- * Cuando juegues, no pongas nunca los dedos sobre la base trasera de los pedales ni cerca de ella.
- * Cuando juegues, no pongas nunca los dedos sobre la base delantera de los pedales ni cerca de ella.

NUNCA



NUNCA



NUNCA



Advertencia – Peligro de pillarse los dedos con los pedales cuando no se juega

- * Guarda los pedales en un lugar seguro y lejos del alcance de los niños.

ACTUALIZACIÓN DEL FIRMWARE DEL VOLANTE DE CARRERAS

El firmware incluido en la base del volante de carreras se puede actualizar a una versión más reciente que incluya mejoras del producto.

Para mostrar la versión de firmware que está usando actualmente tu volante de carreras y actualizarla si es necesario: en PC, visita <http://ts.thrustmaster.com>. En la sección **Updates and Downloads**, haz clic en **PlayStation® / Wheels / T300 RS** y, a continuación, selecciona **Driver/Firmware** y sigue las instrucciones que describen el procedimiento de descarga e instalación.

INSTALACIÓN DEL VOLANTE DE CARRERAS EN SU BASE

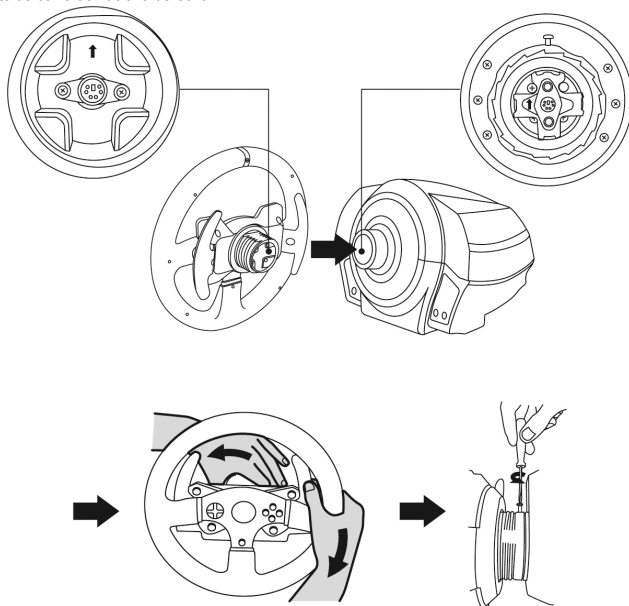
Alinea las posiciones de los conectores usando las flechas:

Conector de la base (1): Flecha apuntando hacia arriba

Conector del volante de carreras (2): Flecha apuntando hacia arriba

Una vez que los conectores estén colocados correctamente, simplemente gira el anillo del dispositivo Thrustmaster Quick Release (12) hacia la izquierda, mientras sostienes el volante de carreras (2) en su posición.

A continuación, aprieta el anillo todo lo que puedas: para ello, mantén el anillo en su posición y gira el volante de carreras hacia la derecha.



Una vez que hayas instalado el volante de carreras, gíralo 180° (cuando mires al volante, el logotipo de PlayStation® debería estar al revés) para acceder al pequeño tornillo de fijación situado en el anillo del dispositivo Thrustmaster Quick Release (12). Con un destornillador Phillips para apretar el tornillo de fijación (no utilices una fuerza excesiva), gíralo hacia la derecha.



¡No utilices una fuerza excesiva cuando aprietes el pequeño tornillo de fijación (usando un destornillador Phillips)!

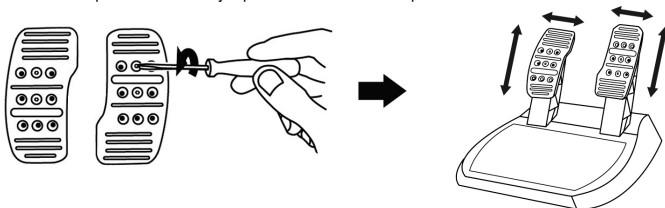
Deja de girar el tornillo en cuanto notes algo de resistencia.

AJUSTE DE LA ALTURA Y EL ESPACIADO DE LOS PEDALES

Usando un destornillador Phillips (no incluido), quita los 2 tornillos de fijación que sujetan las cabezas de los pedales a los brazos de los pedales.

A continuación, ajusta la altura y el espaciado de las cabezas de los pedales a tu estilo de conducción preferido:

- Para el pedal del acelerador hay 6 posiciones diferentes disponibles.
- Para el pedal del freno hay 6 posiciones diferentes disponibles.

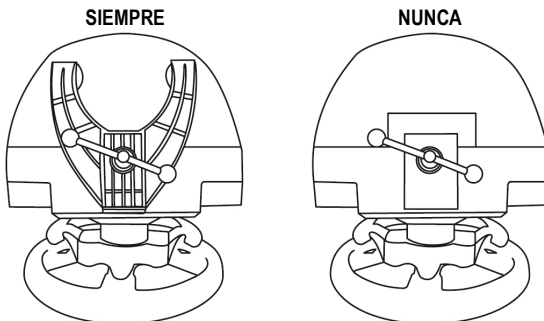


Cuando estés satisfecho con la altura y el espaciado, vuelve a colocar y apretar los 2 tornillos de fijación que sujetan las cabezas de los pedales a los brazos de los pedales.

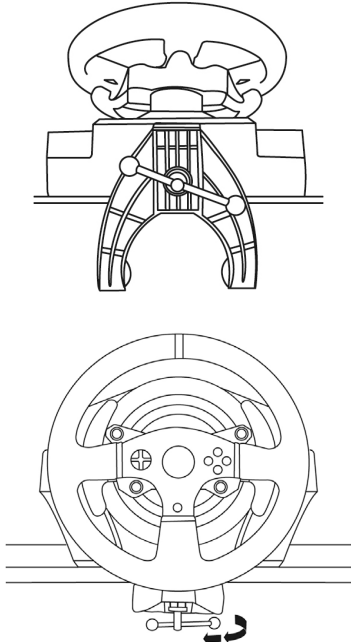
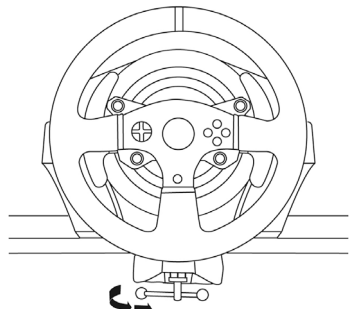
FIJACIÓN DEL VOLANTE DE CARRERAS

Fijación del volante de carreras a una mesa o un escritorio

1. Coloca el volante de carreras en una mesa o en otra superficie horizontal, plana y estable.
2. Inserta el tornillo de sujeción (11) en el sistema de fijación (10) y, a continuación, aprieta el dispositivo girando el tornillo a la izquierda, para que entre en el agujero roscado grande (9) situado debajo del volante de carreras, hasta que el volante esté perfectamente estable.



ADVERTENCIA: ¡No aprietes nunca el tornillo solo, sin el sistema de fijación en su sitio!
(De hacerlo así, se podría dañar el volante).

COLOCACIÓN / RETIRADA	INDICACIÓN
<p><u>Para apretar:</u></p> <p><i>Gira el tornillo hacia la izquierda</i></p>	
<p><u>Para aflojar:</u></p> <p><i>Gira el tornillo hacia la derecha</i></p>	

Fijación de la base del volante de carreras a una cabina

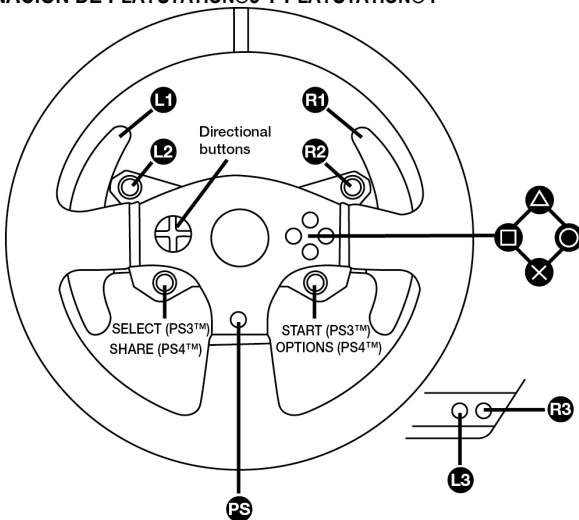
1. Coloca la base del volante de carreras en el estante de la cabina.
2. Pasa dos tornillos M6 (no incluidos) a través del estante de la cabina e insértalos en los dos agujeros roscados pequeños situados en la cara inferior del volante de carreras.
Importante: La longitud de los dos tornillos M6 no debe exceder el grosor del estante + 12 mm; tornillos más largos podrían dañar los componentes internos situados en la base del volante de carreras.
3. Si es necesario, aprieta el sistema de fijación estándar insertando el tornillo de sujeción en el agujero roscado grande.

Fijación del volante de carreras a una cabina

1. Fija los pedales usando los agujeros roscados pequeños situados en su cara inferior.
2. Pasa dos tornillos M6 (no incluidos) a través del estante de la cabina e insértalos en los dos agujeros roscados pequeños situados en la cara inferior de los pedales.
Importante: La longitud de los dos tornillos M6 no debe exceder el grosor del estante + 10 mm; tornillos más largos podrían dañar los componentes internos situados en los pedales.

Los diagramas de diseño para cabinas (para colocar la base del volante de carreras y/o los pedales) están disponibles en <http://ts.thrustmaster.com>: en la sección **Updates and Downloads**, haz clic en **PlayStation® / Wheels / T300 RS** y, a continuación, selecciona **Manual/Help file**.

ASIGNACIÓN DE PLAYSTATION®3 Y PLAYSTATION®4



CONFIGURACIÓN DEL VOLANTE DE CARRERAS PARA PLAYSTATION®3 O PLAYSTATION®4

1. Conecta los pedales al conector (17) situado en la parte trasera de la base del volante de carreras.
2. Conecta el cable de fuente de alimentación al conector (14) situado en la parte trasera de la base del volante de carreras.
3. Enchufa el cable de fuente de alimentación a un enchufe eléctrico con las mismas especificaciones de tensión.



Para más información sobre esto, consulta la sección CONEXIÓN DEL VOLANTE DE CARRERAS A UN ENCHUFE ELÉCTRICO, en la página 3 de este manual.

4. Pon el interruptor selector de USB (5) de la base del volante de carreras en la posición PS3™ o PS4™, en función de la consola o el juego que estés usando.
5. Conecta el conector USB del volante de carreras (15) a uno de los puertos USB de la consola.
6. Una vez encendida la consola, el volante de carreras se calibrará solo automáticamente.
7. En PlayStation®4 (cuando el interruptor selector de USB está puesto en la posición de PS4™): pulsa el botón PS del volante (8) e inicia sesión en tu cuenta Sony Entertainment Network para poder usar el volante.

¡Ya estás preparado para jugar!

Notas importantes:

- El interruptor selector USB (5) de la base del volante de carreras siempre debe ponerse en la posición adecuada (PS3™ o PS4™) antes de conectar el cable USB del volante a la consola. Para cambiar la posición del interruptor selector, desconecta el cable USB de la consola y, a continuación, cambia la posición del interruptor antes de volver a conectar el cable USB a la consola.

- En PlayStation®3, el interruptor selector de USB (5) siempre debe ponerse en la posición PS3™:

- * El volante se reconoce en la mayoría de los juegos como un volante T500RS.
- * El volante está operativo en los juegos compatibles y en los menús de la consola.
- * La función "PS" está operativa en el volante.

- En PlayStation®4, con el interruptor selector de USB (5) en la posición PS3™:

- * El volante se reconoce en la mayoría de los juegos como un volante T500RS.
- * El volante está operativo en los juegos compatibles, pero no en los menús de la consola.
- * Las funciones "SHARE" y "PS" no están operativas en el volante.

- En PlayStation®4, con el interruptor selector de USB (5) en la posición PS4™:

- * No olvides pulsar el botón PS del volante de carreras (8) para poder usar el volante.
- * El volante se reconoce en la mayoría de los juegos como un volante T300 RS.
- * El volante está operativo en los juegos compatibles y en los menús de la consola.
- * Las funciones "SHARE" y "PS" están operativas en el volante.

- La lista de juegos de PlayStation®3 y PlayStation®4 compatibles con el T300 RS (junto con la posición requerida del interruptor selector de USB (5) según el juego que se esté jugando) está disponible en:

<http://ts.thrustmaster.com> (en la sección Updates and Downloads, haz clic en PlayStation® / Wheels / T300 RS).

Esta lista se actualiza regularmente.

CONFIGURACIÓN DEL VOLANTE DE CARRERAS PARA PC

Nota importante:

En PC, el interruptor deslizante de USB (5) de la base del volante de carreras siempre debe estar puesto en la posición PS3™.

1. Dirígete a <http://ts.thrustmaster.com> para descargar los controladores y el software de Force Feedback para PC. En la sección Updates and Downloads, haz clic en PC / Wheels / T300 RS y, a continuación, selecciona Drivers.

2. Una vez terminada la descarga, inicia la instalación y sigue las instrucciones en pantalla para conectar la clavija USB del volante al ordenador y terminar la instalación.

3. Una vez completada la instalación, haz clic en Terminar y reinicia el ordenador.

4. Selecciona Inicio / Todos los programas / Thrustmaster / FFB Racing Wheel / Panel de control para abrir la ventana Dispositivos de juego.

La ventana Dispositivos de juego muestra el nombre del volante de carreras T300 RS Racing Wheel con el estado OK.

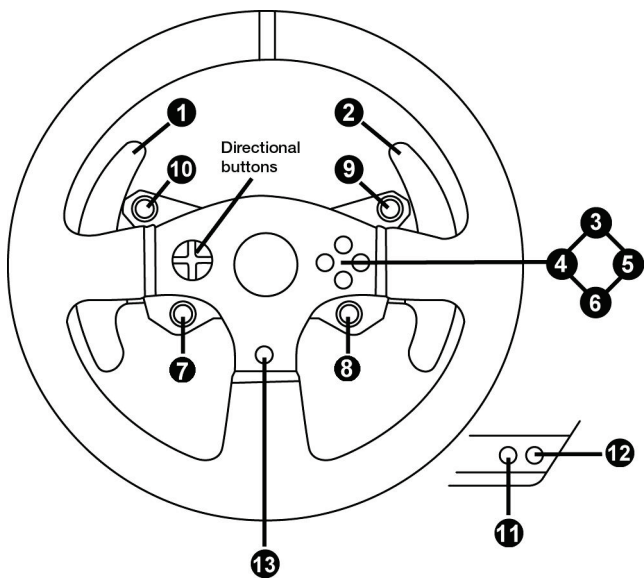
5. Haz clic en Propiedades para configurar el volante en el panel de control del T300 RS:

- Pestaña Test Input: permite probar y ver los botones de acción, botones de dirección, ejes del volante y los pedales, y ajustar el ángulo de rotación del volante en los juegos de PC.
- Pestaña Test Forces: permite probar los 12 efectos Force Feedback.
- Pestaña Gain Settings: permite ajustar la potencia de los efectos Force Feedback en los juegos de PC.

¡Ya estás preparado para jugar!

Notas generales:

- En PC, haz clic en Aceptar para cerrar la ventana Dispositivos de juego antes de ejecutar el juego.
- En PC, los ajustes realizados en la ventana Dispositivos de juego sólo se guardarán en el ordenador (por lo tanto no tendrán efecto en PlayStation®3 ni en PlayStation®4).
- La versión del firmware del volante se muestra en la esquina superior derecha de las pestañas del panel de control del T300 RS.



CALIBRACIÓN AUTOMÁTICA DEL VOLANTE Y DE LOS PEDALES

El volante de carreras se calibra solo automáticamente cuando enchufas el volante de carreras a la red eléctrica y conectas el conector USB del volante de carreras a la consola.

Durante esta fase, el volante de carreras girará rápidamente hacia la izquierda y la derecha, cubriendo un ángulo de 90 grados, antes de detenerse en el centro.



ADVERTENCIA:

**¡No toques nunca el volante de carreras durante la fase de autocalibración!
(Esto podría provocar una calibración incorrecta o lesiones personales).**

CALIBRACIÓN AUTOMÁTICA DE LOS PEDALES

No conectes nunca los pedales a la base del volante (ni los desconectes de la base) cuando esté conectada a la consola o durante el juego (esto podría provocar una calibración incorrecta).

Conecta siempre los pedales antes de conectar el volante de carreras a la consola.

Una vez que se ha realizado la calibración del volante de carreras y el juego se ha ejecutado, los pedales se calibran automáticamente tras presionarlos unas cuantas veces.



ADVERTENCIA:

**No pises nunca los pedales durante la fase de autocalibración del volante de carreras ni mientras se está cargando un juego!
(Esto podría provocar una calibración incorrecta).**

Si el volante de carreras y los pedales no funcionan correctamente o la calibración parece incorrecta:

Apaga la consola, desconecta por completo el volante de carreras, vuelve a conectar todos los cables (utilizando el cable de fuente de alimentación y los pedales) y reinicia la consola y el juego.

SENSOR DE TEMPERATURA INTERNO

El sistema de refrigeración del volante se compone de un disipador de calor y un ventilador.

- Un termostato calcula la temperatura interna del volante.
- Cuando estés utilizando el volante en un juego:
 - El ventilador de refrigeración se pone en marcha cuando el volante ha alcanzado una determinada temperatura (tras unos minutos de juego, dependiendo de la potencia de los efectos Force Feedback utilizados).
 - La potencia de los efectos Force Feedback disminuye automáticamente en cuanto el volante alcanza un nivel de temperatura mucho más alto (para proteger el motor). La potencia de esos efectos aumenta automáticamente en cuanto se reduce ligeramente la temperatura.
- Cuando has terminado de jugar: debido a la inercia térmica del motor, el ventilador de refrigeración continúa funcionando hasta que la temperatura desciende por debajo del nivel inicial del ventilador. El volante se ha diseñado de esta manera para facilitar la refrigeración y para proteger el motor (este funcionamiento puede durar de 5 a 45 minutos, dependiendo de la temperatura alcanzada al utilizar el volante en un juego).

BOTÓN MODE Y LUZ INDICADORA (6)

Botón MODE de los pedales

Con el T300 RS se incluyen 2 pedales.

Al utilizar estos pedales, asegúrate de que la luz indicadora permanezca en rojo o el pedal del acelerador no funcionará correctamente.

El T300 RS también es compatible con los pedales de Thrustmaster que incluyan 3 pedales (*vendidos por separado*) que te permitirán intercambiar electrónicamente los pedales del acelerador y el embrague.

Para ello, simplemente pulsa el botón MODE (6) durante 2 segundos.

La memoria interna del volante de carreras almacena si los pedales se han intercambiado o no.

PEDALES DEL ACELERADOR Y EL EMBRAGUE	Color de la luz indicadora MODE (6)
NORMAL	ROJO
INTERCAMBIADOS	VERDE

Otros consejos para el botón MODE

Para obtener más información sobre el botón MODE y la luz indicadora, visita <http://ts.thrustmaster.com>. En la sección **Updates and Downloads**, haz clic en **PlayStation® / Wheels / T300 RS** y, a continuación, selecciona **Manual/Help file**.

COMPATIBILIDAD CON EL ECOSISTEMA DE PRODUCTOS DE THRUSTMASTER

La base del T300 RS es compatible con:

- Los siguientes volantes desmontables de Thrustmaster: "Ferrari F1 Wheel Add-on*", "Ferrari GTE Wheel Add-on*", "T300 RS PS Wheel", "T500RS GT Wheel".
- El kit "Base Fixed Paddle Shifters*", que te permite instalar levas de cambio de marchas fijas en la base.
- Los siguientes pedales de Thrustmaster: "T3PA*" (Thrustmaster 3 Pedals Add-on) y los pedales del volante de carreras T500RS.
- Los siguientes cambios de marchas (cajas de cambios) de Thrustmaster: "TH8A*" y "TH8RS".

* Se venden por separado (para obtener más información, visita <http://www.thrustmaster.com/products/t300rs>).

ARCHIVOS DE AYUDA Y FAQ (NO INCLUIDOS EN ESTE MANUAL)

Visita <http://ts.thrustmaster.com> y en la sección **Updates and Downloads** haz clic en **PlayStation® / Wheels / T300 RS**. A continuación, selecciona **Manual/Help file**.

SOPORTE TÉCNICO

Si encuentras un problema con tu producto, visita <http://ts.thrustmaster.com> y haz clic en **Technical Support**. Desde allí podrás acceder a distintas utilidades (preguntas frecuentes (Frequently Asked Questions, FAQ), las últimas versiones de controladores y software) que pueden ayudarte a resolver tu problema. Si el problema persiste, puedes contactar con el servicio de soporte técnico de los productos de Thrustmaster ("Soporte Técnico"):

Por correo electrónico:

Para utilizar el soporte técnico por correo electrónico, primero debes registrarte online. La información que proporcionas ayudará a los agentes a resolver más rápidamente tu problema. Haz clic en **Registro del producto** en la parte izquierda de la página de Soporte técnico y sigue las instrucciones en pantalla. Si ya te has registrado, rellena los campos **Nombre de usuario** y **Contraseña** y después haz clic en **sesión**.

Por teléfono:

Las días i horas de funcionamiento y los números de teléfono pueden cambiar. En <http://ts.thrustmaster.com> se puede obtener la información de contacto de Soporte técnico más actualizada.

	901988060	
España	Precio de una llamada telefónica local	De lunes a viernes de 9:00 a 19:00

Información de garantía al consumidor

En todo el mundo, Guillemot Corporation S.A. (en lo sucesivo "Guillemot") garantiza al consumidor que este producto de Thrustmaster estará libre de defectos de materiales y mano de obra, durante un período de garantía que corresponde al límite de tiempo para interponer una acción legal referida a la conformidad en relación con este producto. En los países de la Unión Europea, esto corresponde a un período de dos (2) años a partir de la entrega del producto de Thrustmaster. En otros países, el período de garantía corresponde al límite de tiempo para interponer una acción legal referida a la conformidad en relación con este producto de Thrustmaster según las leyes aplicables del país en el que el consumidor estuviese domiciliado en la fecha de compra del producto de Thrustmaster (si no existiese una acción similar en el país correspondiente, entonces el período de garantía será de un (1) año a partir de la fecha de compra original del producto de Thrustmaster).

A pesar de lo anterior, las baterías recargables están cubiertas por un período de garantía de seis (6) meses a partir de la fecha de compra original.

Si el producto resultase defectuoso durante el período de garantía, hay que ponerse en contacto inmediatamente con el Soporte Técnico, que indicará el procedimiento a seguir. Si se confirma el defecto, el producto debe devolverse a su lugar de compra (o a cualquier otra ubicación indicada por el Soporte Técnico).

Dentro del contexto de esta garantía, el producto defectuoso del consumidor será reparado o sustituido, a elección del Soporte Técnico. Si la ley aplicable lo permite, toda la responsabilidad de Guillemot y sus filiales (incluso por daños resultantes) se limita a la reparación o sustitución del producto de Thrustmaster. Si la ley aplicable lo permite, Guillemot renuncia a todas las garantías de comerciabilidad o adecuación para un propósito determinado. Los derechos legales del consumidor en relación con las leyes aplicables a la venta de productos de consumo no se ven afectados por esta garantía.

Esta garantía no se aplicará: (1) si el producto ha sido modificado, abierto, alterado o ha sufrido daños como resultado de un uso inapropiado o abuso, negligencia, accidente, desgaste normal, o cualquier otra causa no relacionada con un defecto de materiales o fabricación (incluyendo, pero no de forma exclusiva, la combinación del producto de Thrustmaster con cualquier elemento no adecuado, incluyendo en particular fuentes de alimentación, baterías recargables, cargadores o cualquier otro elemento no suministrado por Guillemot para este producto); (2) en caso de incumplimiento de las instrucciones proporcionadas por el Soporte Técnico; (3) a software, es decir software sujeto a una garantía específica; (2) en caso de incumplimiento de las instrucciones proporcionadas por el Soporte Técnico; (3) a software, es decir software sujeto a una garantía específica; (4) a consumibles (elementos que se tienen que reemplazar a lo largo de la vida del producto: por ejemplo, baterías desechables o almohadillas para auriculares de audio); (5) a accesorios (por ejemplo, cables, cajas, bolsas, bolsos o muñequeras); (6) si el producto se ha vendido en una subasta pública. (6) si el producto se ha vendido en una subasta pública.

Esta garantía no es transferible.

Responsabilidad

Si la ley aplicable lo permite, Guillemot Corporation S.A. (en lo sucesivo "Guillemot") y sus filiales renuncian a toda responsabilidad por los daños causados por uno o más de los siguientes motivos: (1) el producto ha sido modificado, abierto o alterado; (2) incumplimiento de las instrucciones de montaje; (3) uso inapropiado o abuso, negligencia, accidente (un impacto, por ejemplo); (4) desgaste normal. Si la ley aplicable lo permite, Guillemot y sus filiales renuncian a toda responsabilidad por los daños no relacionados con defectos de materiales o fabricación en relación con el producto (incluyendo, pero no de forma exclusiva, los daños causados de forma directa o indirecta por cualquier software, o por combinar el producto de Thrustmaster con cualquier elemento no adecuado, incluyendo en particular fuentes de alimentación, baterías recargables, cargadores o cualquier otro elemento no suministrado por Guillemot para este producto).

COPYRIGHT

© 2014 Guillemot Corporation S.A. Todos los derechos reservados. Thrustmaster® es una marca comercial registrada de Guillemot Corporation S.A. "PS", "PlayStation", "PS3" y "ΔOX□" son marcas comerciales registradas de Sony Computer Entertainment, Inc. "PS4" es una marca comercial de la misma compañía. Todas las demás marcas comerciales son propiedad de sus respectivos dueños. Ilustraciones no vinculantes. Los contenidos, diseños y especificaciones están sujetos a cambios sin previo aviso y pueden variar de un país a otro. Fabricado en China. Tecnología TouchSense® con licencia de Immersion Corporation. Protegido por una o más de las patentes de Estados Unidos disponibles en la siguiente dirección: www.immersion.com/patent-marking.html, y otras patentes pendientes.

RECOMENDACIÓN DE PROTECCIÓN AMBIENTAL



* En la Unión Europea: Al terminar su vida útil, este producto no debe tirarse en un contenedor de basuras estándar, sino que debe dejarse en un punto de recogida de desechos eléctricos y equipamiento electrónico para ser reciclado. Esto viene confirmado por el símbolo que se encuentra en el producto, manual del usuario o embalaje.

Dependiendo de sus características, los materiales pueden reciclarse. Mediante el reciclaje y otras formas de procesamiento de los desechos eléctricos y el equipamiento electrónico puedes contribuir de forma significativa a ayudar a proteger el medio ambiente.

Contacta con las autoridades locales para más información sobre el punto de recogida más cercano. Para los demás países: cumple las leyes locales sobre reciclaje de equipos eléctricos y electrónicos.

Esta información debe conservarse. Los colores y motivos decorativos pueden variar. Los adhesivos y los cierres de plástico se deben quitar del producto antes de utilizarlo.

www.thrustmaster.com

**Aplicable únicamente a la UE y Turquía*



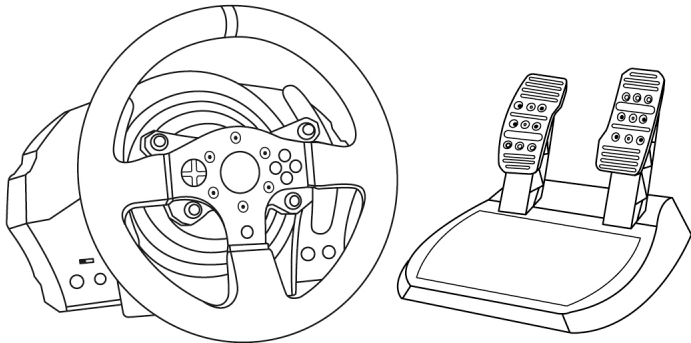
immersion.



T300RS

PARA A PLAYSTATION®3 – PLAYSTATION®4

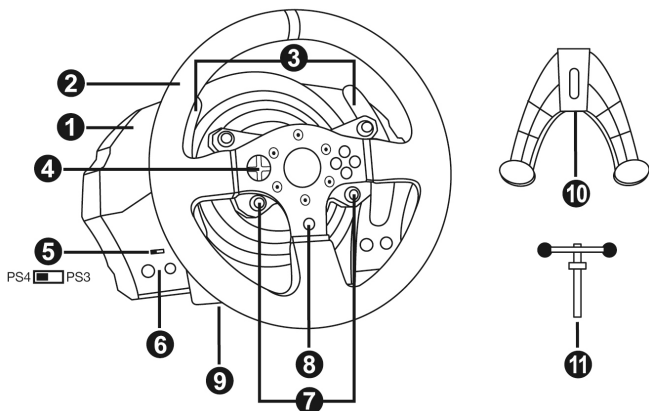
Manual do Utilizador



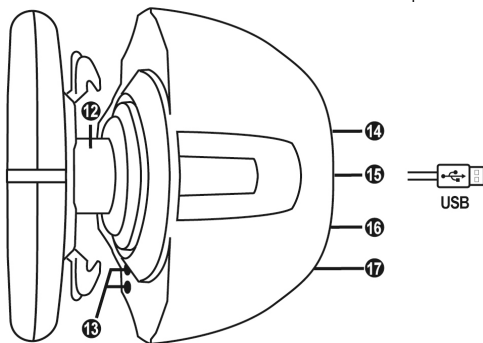
ATENÇÃO:

Para garantir que o seu volante T300 RS funciona corretamente com jogos para a PlayStation®3 ou PlayStation®4, poderá ser-lhe pedido para instalar as atualizações automáticas dos jogos (*disponível quando a consola de jogos está ligada à Internet*).

CARACTERÍSTICAS TÉCNICAS



- | | |
|---|--|
| 1 Base do T300 RS | 7 Botões SELECT/START na PS3™ e SHARE/OPTIONS na PS4™ |
| 2 Volante PS | 8 Botão PS |
| 3 2 pás de mudança de velocidades sequenciais (Up e Down) | 9 Furo roscado grande (para o sistema de fixação e parafuso de aperto) |
| 4 D-Pad multidirecional | 10 Sistema de fixação |
| 5 Interruptor do seletor USB PS4™ ou PS3™ | 11 Parafuso de aperto de metal |
| 6 Botão MODE + luz indicadora vermelha/verde | |



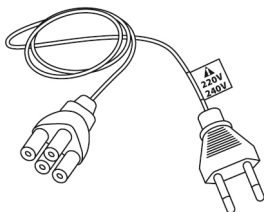
- | | |
|---|---|
| 12 Thrustmaster Quick Release | 15 Cabo e conector USB do volante |
| 13 Botões L3/R3 | 16 Conector da alavanca de velocidades (caixa de velocidades) (vendido à parte) |
| 14 Conector de alimentação (tipo A ou B) (varia consoante o país) | 17 Conector do conjunto de pedais |

LIGAR O VOLANTE A UMA TOMADA ELÉTRICA: LEIA ANTES DE CONTINUAR!

A fonte de alimentação do volante varia de acordo com o país onde adquiriu o seu dispositivo.
A alimentação pode ser:

Interna.com:

- * uma unidade de alimentação situada diretamente no interior da base do volante, com um conector de tipo A.
- * um cabo de alimentação de 220-240 V.
- = compatível apenas com energia elétrica de 220-240 V.

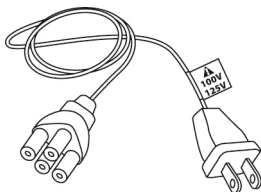


**Nunca ligue o cabo de 220-240 V
a uma tomada elétrica de 100-130 V!
Nunca ligue este cabo a um transformador!**



Interna.com:

- * uma unidade de alimentação situada diretamente no interior da base do volante, com um conector de tipo A.
- * um cabo de alimentação de 100-125 V.
- = compatível apenas com energia elétrica de 100-125 V.



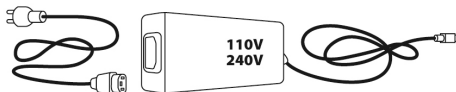
**Nunca ligue o cabo de 100-125 V
a uma tomada elétrica de 220-240 V!
Nunca ligue este cabo a um transformador!**



IMPORTANTE: se não sabe que tensão é fornecida na zona onde tenciona utilizar o volante, pergunte ao seu fornecedor de eletricidade local.

Externa.com:

- * uma unidade de alimentação externa, com um conector de tipo B.
- * um cabo de alimentação.
- = compatível com todas as tensões elétricas, de 110 a 240 V.



AVISOS

Antes de utilizar este produto, leia atentamente este manual e guarde-o para posterior consulta.



Atenção – Choque elétrico

- * Guarde o produto num local seco e não o exponha ao pó nem à luz do sol.
- * Não torça nem puxe os conectores e os cabos.
- * Não derrame líquidos sobre o produto ou os respetivos conectores.
- * Não provoque um curto-circuito no produto.
- * Nunca desmonte o produto, não o atire para o fogo nem o exponha a temperaturas elevadas.
- * Não utilize um cabo de alimentação diferente do fornecido com o volante.
- * Não utilize o cabo de alimentação se o cabo ou os conectores estiverem danificados, fendidos ou partidos.
- * Certifique-se de que o cabo de alimentação está corretamente ligado a uma tomada elétrica, assim como ao conector situado na parte posterior da base do volante.
- * Não abra o volante: não contém peças utilizáveis pelo utilizador no interior. Todas as reparações devem ser realizadas pelo fabricante, pelo seu representante autorizado ou por um técnico qualificado.
- * Utilize apenas sistemas de fixação/acessórios especificados pelo fabricante.
- * Se o volante estiver a funcionar de forma anormal (se emite quaisquer sons, calor ou cheiros anormais), pare imediatamente de utilizá-lo, desligue o cabo de alimentação da tomada e desligue os outros cabos.
- * Se não utilizar o volante durante um longo período de tempo, desligue o respetivo cabo de alimentação da tomada elétrica.



Aberturas de ventilação

Certifique-se de que não tapa as aberturas de ventilação na base do volante. Para uma ventilação ideal, certifique-se do seguinte:

- * Posicione a base do volante a pelo menos 10 cm de distância de quaisquer paredes.
- * Não coloque a base em espaços apertados.
- * Não tape a base.
- * Não deixe que pó se acumule nas aberturas de ventilação.



**Por razões de segurança, nunca utilize o conjunto de pedais com os pés descalços ou apenas com meias calçadas nos pés.
A THRUSTMASTER® NÃO ASSUME QUALQUER RESPONSABILIDADE NA
EVENTUALIDADE DE DANOS FÍSICOS RESULTANTES DA UTILIZAÇÃO DO
CONJUNTO DE PEDAIS SEM CALÇADO.**



Atenção – Ferimentos resultantes dos efeitos Force Feedback e dos movimentos repetidos

Jogar com um volante Force Feedback poderá causar dores musculares ou articulares. Para evitar quaisquer problemas:

- * Evite jogar durante longos períodos de tempo.
- * Faça um intervalo de 10 a 15 minutos após cada hora de jogo.
- * Se sentir cansaço ou dores nas mãos, pulsos, braços, pés ou pernas, pare de jogar e descanse durante algumas horas antes de recomençar a jogar.



Atenção – Ferimentos resultantes dos efeitos Force Feedback e dos movimentos repetidos (continuação)

- * Se os sintomas ou as dores acima indicados persistirem quando recomeçar a jogar, pare de jogar e consulte o seu médico.
- * Guarde o volante fora do alcance das crianças.
- * Durante o jogo, mantenha sempre ambas as mãos posicionadas corretamente no volante sem largá-lo por completo.
- * Durante o jogo, nunca coloque as mãos ou os dedos por baixo dos pedais ou perto do conjunto de pedais.
- * Durante a calibração e o jogo, nunca coloque a mão ou o braço através das aberturas existentes no volante.
- * Certifique-se de que a base do volante está devidamente fixada, de acordo com as instruções do manual.



Produto para ser manuseado apenas por utilizadores com 16 anos de idade ou mais

PRODUTO PESADO



Tenha cuidado para não deixar cair o produto em cima de si ou de outra pessoa!

SEMPRE



NUNCA



NUNCA





Atenção – Perigo de entalamento no conjunto de pedais ao jogar

- * Guarde o conjunto de pedais fora do alcance das crianças.
- * Quando jogar, nunca coloque os dedos nos lados dos pedais nem perto dos mesmos.
- * Quando jogar, nunca coloque os dedos na base posterior dos pedais nem perto da mesma.
- * Quando jogar, nunca coloque os dedos na base frontal dos pedais nem perto da mesma.

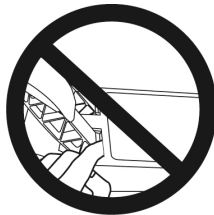
NUNCA



NUNCA



NUNCA



Atenção – Perigo de entalamento no conjunto de pedais em inatividade

- * Guarde o conjunto de pedais num local seguro e fora do alcance das crianças.

ATUALIZAR O FIRMWARE DO VOLANTE

O firmware incluído na base do volante pode ser atualizado para uma versão mais recente que inclua melhoramentos do produto.

Para visualizar a versão do firmware que o volante utiliza atualmente e atualizá-la, se necessário: no PC, acesse a <http://ts.thrustmaster.com>. Na secção **Updates and Downloads**, clique em **PlayStation® / Wheels / T300 RS**, em seguida selecione **Driver/Firmware** e siga as instruções que descrevem o procedimento de transferência e instalação.

INSTALAR O VOLANTE NA RESPECTIVA BASE

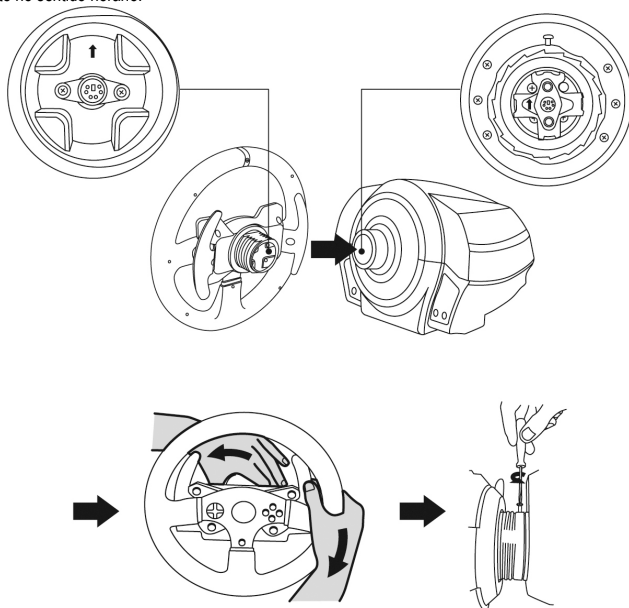
Alinhe as posições dos conectores com as setas:

Conector da base (1): Seta a apontar para cima

Conector do volante (2): Seta a apontar para cima

Assim que os conectores estiverem posicionados corretamente, rode o anel do dispositivo Thrustmaster Quick Release (12) no sentido anti-horário enquanto mantém o volante (2) na posição.

Em seguida, aperte o anel o máximo que conseguir; para tal, mantenha o anel na posição e rode o volante no sentido horário.



Depois de instalar o volante, rode-o 180° (quando está virado de frente para o volante, o logótipo PlayStation® deve ficar virado ao contrário) para aceder ao parafuso de fixação pequeno situado no anel do dispositivo Thrustmaster Quick Release (12). Utilize uma chave de fendas Phillips grande para apertar o parafuso de fixação pequeno (não aplique força excessiva), rodando-o no sentido horário.



**Não aplique força excessiva ao apertar o parafuso de fixação pequeno
(com uma chave de fendas Phillips)!**

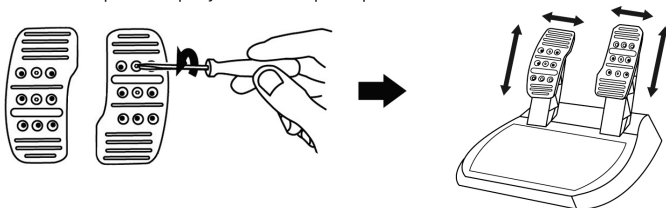
Pare de rodar o parafuso assim que sentir alguma resistência.

AJUSTAR A ALTURA E O ESPAÇAMENTO DOS PEDAIS

Com uma chave de fendas Phillips (não incluída), remova os 2 parafusos de fixação que prendem as cabeças dos pedais aos braços dos mesmos.

Em seguida, ajuste a altura e o espaçamento das cabeças dos pedais de acordo com o seu estilo de condução preferido:

- estão disponíveis 6 posições diferentes para o pedal do acelerador.
- estão disponíveis 6 posições diferentes para o pedal do travão.

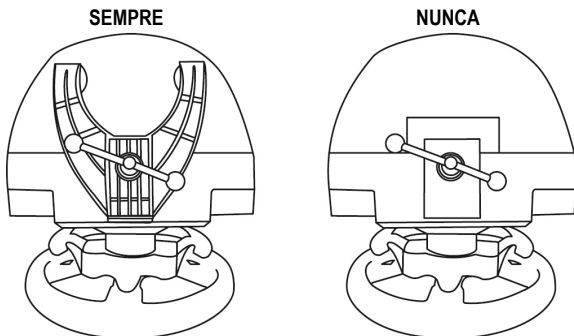


Quando estiver satisfeito com a altura e o espaçamento, volte a colocar e reaperte os 2 parafusos de fixação que prendem as cabeças dos pedais aos braços dos mesmos.

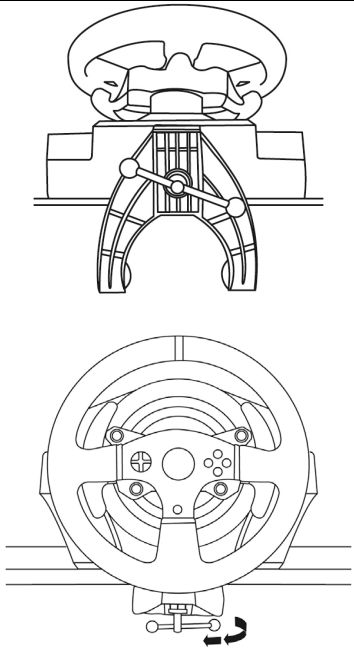
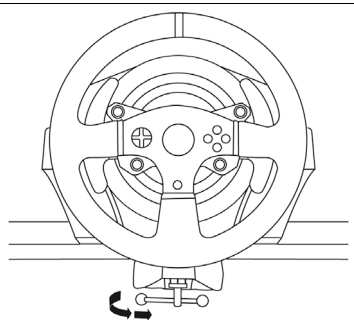
FIXAR O VOLANTE

Fixar o volante a uma mesa ou secretária

1. Coloque o volante sobre uma mesa ou de qualquer outra superfície horizontal, plana e estável.
2. Insira o parafuso de aperto (11) no sistema de fixação (10), em seguida aperte o dispositivo rodando o parafuso no sentido anti-horário, de forma que penetre no furo roscado grande (9) situado por baixo do volante, até o volante estar perfeitamente estável.



ATENÇÃO: Nunca aperte apenas o parafuso, sem o sistema de fixação instalado!
(Se o fizer, poderá danificar o volante.)

FIXAÇÃO / REMOÇÃO	DIREÇÃO
<p><u>Para apertar:</u></p> <p><i>Rode o parafuso no sentido anti- horário</i></p>	
<p><u>Para soltar:</u></p> <p><i>Rode o parafuso no sentido horário</i></p>	

Fixar a base do volante a um cockpit

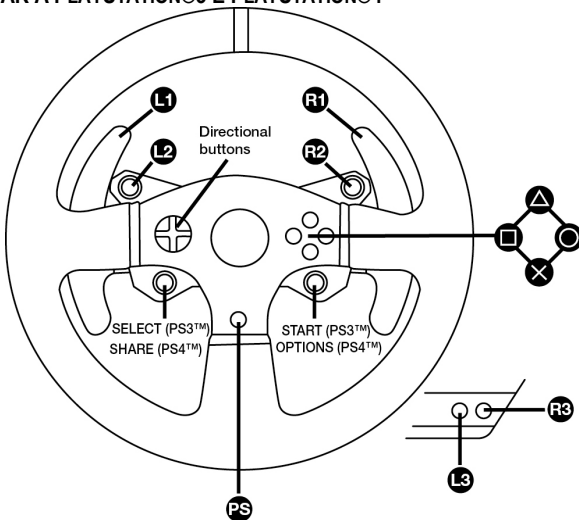
1. Coloque a base do volante na prateleira do cockpit.
2. Insira dois parafusos M6 (não incluídos) na prateleira do cockpit e em seguida enrosque-os nas duas roscas de parafuso pequenas situadas na parte inferior do volante.
Importante: O comprimento dos dois parafusos M6 não deve exceder a espessura da prateleira + 12 mm; os parafusos mais compridos poderão causar danos nos componentes internos situados na base do volante.
3. Se necessário, aperte o sistema de fixação padrão inserindo o parafuso de aperto no furo roscado grande.

Fixar o conjunto de pedais a um cockpit

1. Fixe o conjunto de pedais com as roscas de parafuso pequenas situadas na parte inferior.
2. Insira dois parafusos M6 (não incluídos) na prateleira do cockpit e em seguida enrosque-os nas duas roscas de parafuso pequenas situadas na parte inferior do conjunto de pedais.
Importante: O comprimento dos dois parafusos M6 não deve exceder a espessura da prateleira + 10 mm; os parafusos mais compridos poderão causar danos nos componentes internos situados no conjunto de pedais.

Estão disponíveis **esquemas de disposição para cockpits** (para posicionar a base do volante e/ou o conjunto de pedais) em <http://ts.thrustmaster.com>; na secção **Updates and Downloads**, clique em **PlayStation®/Wheels/T300 RS** e em seguida seleccione **Manual/Help file**.

MAPEAR A PLAYSTATION®3 E PLAYSTATION®4



CONFIGURAR O VOLANTE PARA A PLAYSTATION®3 OU PLAYSTATION®4

1. Ligue o conjunto de pedais ao conector (17) situado na parte posterior da base do volante.
2. Ligue o cabo de alimentação ao conector (14) situado na parte posterior da base do volante.
3. Ligue o cabo de alimentação a uma tomada elétrica com as mesmas especificações de tensão.



Para mais informações a este respeito, consulte a secção LIGAR O VOLANTE A UMA TOMADA ELÉTRICA, na página 3 deste manual.

4. Ajuste o interruptor do seletor USB (5) na base do volante para a posição PS3™ ou PS4™, consoante a consola ou o jogo que está a utilizar.
5. Ligue o conector USB do volante (15) a uma das portas USB da consola.
6. Quando a consola for ligada, o volante irá calibrar-se automaticamente.
7. Na PlayStation®4 (quando o interruptor do seletor USB está ajustado para a posição PS4™): prima o botão PS (8) do volante e inicie sessão na sua conta Sony Entertainment Network, para poder utilizar o volante.

Está pronto para começar a jogar!

Notas importantes:

- O interruptor do seletor USB (5) na base do volante deve ser sempre ajustado para a posição correta (PS3™ ou PS4™) antes de ligar o cabo USB do volante à consola. Para mudar a posição do interruptor do seletor, desligue o cabo USB da consola e em seguida mude a posição do interruptor antes de voltar a ligar o cabo USB à consola.
- Na PlayStation®3, o interruptor do seletor USB (5) deve estar sempre ajustado para a posição PS3™:
 - * O volante é reconhecido na maioria dos jogos como um volante T500 RS.
 - * O volante está funcional em jogos compatíveis e nos menus da consola.
 - * A função “PS” está funcional no volante.
- Na PlayStation®4, com o interruptor do seletor USB (5) na posição PS3™:
 - * O volante é reconhecido na maioria dos jogos como um volante T500 RS.
 - * O volante está funcional em jogos compatíveis, mas não nos menus da consola.
 - * As funções “SHARE” e “PS” não estão funcionais no volante.
- Na PlayStation®4, com o interruptor do seletor USB (5) na posição PS4™:
 - * Não se esqueça de premir o botão PS (8) do volante para poder utilizá-lo.
 - * O volante é reconhecido na maioria dos jogos como um volante T300 RS.
 - * O volante está funcional em jogos compatíveis e nos menus da consola.
 - * As funções “SHARE” e “PS” estão funcionais no volante.
- A lista de jogos para a PlayStation®3 e PlayStation®4 compatíveis com o T300 RS (juntamente com a posição necessária do interruptor do seletor USB (5) de acordo com o jogo utilizado) está disponível em:
<http://ts.thrustmaster.com> (na secção Updates and Downloads,
clique em PlayStation® / Wheels / T300 RS).
Esta lista é atualizada regularmente.

CONFIGURAR O VOLANTE PARA O PC

Observação importante:

No PC, o interruptor USB(5) na base do volante deve sempre permanecer na posição PS3™.

1. Acesse <http://ts.thrustmaster.com> para baixar os drivers e software Force Feedback para PC. Na seção Updates and Downloads, clique em PC / Wheels / T300 RS e selecione Drivers.
2. Quando o download for concluído, inicie a instalação e siga as instruções na tela para conectar o volante ao computador via USB e completar a instalação.
3. Quando a instalação for concluída, clique em Finalizar e reinicie o computador.
4. Selecione Iniciar / Todos os Programas / Thrustmaster / FFB Racing Wheel / Painel de Controle para abrir a janela Controladores de Jogo

A janela Controladores de Jogo exibe o nome T300 RS Racing Wheel e o status OK.

5. Clique em Propriedades para configurar o volante no painel de controle do T300 RS.

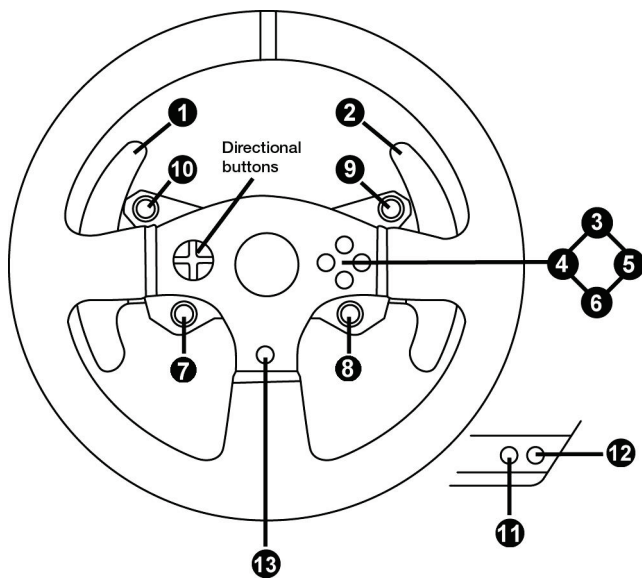
- Aba Test Input: permite testar e visualizar os botões de ação, os botões direcionais, os eixos do volante e dos pedais e ajustar o ângulo de rotação do volante em jogos para PC.
- Aba Test Forces: permite testar os 12 efeitos de force feedback.
- Aba Gain Settings: permite ajustar a força dos efeitos force feedback nos jogos para PC.

Você está pronto para jogar!

Observações gerais:

- No PC, clique em OK para fechar a janela Controladores de Jogo antes de iniciar o jogo.
- No PC, os ajustes feitos na janela Controladores de Jogo serão salvos apenas no computador (não terão efeito no PlayStation®3 ou PlayStation®4).
- A versão do firmware do volante é exibida no canto superior direito do painel de controle do T300 RS.

MAPEAMENTO PARA PC



ENGLISH

FRANÇAIS

DEUTSCH

NEDERLANDS

ITALIANO

ESPAÑOL

PORTUGUÊS

РУССКИЙ

ΕΛΛΗΝΙΚΑ

TÜRKÇE

POLSKI

CALIBRAGEM AUTOMÁTICA DO VOLANTE E DO CONJUNTO DE PEDAIS

O volante calibra-se automaticamente quando liga o volante a uma tomada elétrica e o conector USB do volante à consola.

Durante esta fase, o volante roda rapidamente para a esquerda e direita, cobrindo um ângulo de 900 graus, antes de parar no centro.



ATENÇÃO:

Nunca toque no volante durante a fase de autocalibragem!
(Isto poderá resultar numa calibragem incorreta e/ou em ferimentos pessoais.)

CALIBRAGEM AUTOMÁTICA DO CONJUNTO DE PEDAIS

Nunca ligue o conjunto de pedais à base do volante (nem o desligue da base) quando estiver ligado à consola ou durante o jogo (isto poderá resultar numa calibragem incorreta).

Ligue sempre o conjunto de pedais antes de ligar o volante à consola.

Quando a calibragem do volante estiver concluída e o jogo tiver iniciado, os pedais são calibrados automaticamente ao fim de várias pressões.



ATENÇÃO:

Nunca carregue nos pedais durante a fase de autocalibragem do volante ou quando um jogo estiver a ser carregado!
(Isto poderá resultar numa calibragem incorreta.)

Se o volante e/ou o conjunto de pedais não funcionam corretamente, ou se parecem estar calibrados incorretamente:

Desligue a consola e desligue todos os cabos do volante. Em seguida, volte a ligar todos os cabos (incluindo o cabo de alimentação e o conjunto de pedais) e reinicie a consola e o jogo.

SENSOR DA TEMPERATURA INTERNA

O sistema de refrigeração do volante é composto por um dissipador de calor e uma ventoinha.

- Um termóstato monitoriza a temperatura interna do volante.
- Quando utiliza o volante num jogo:
 - A ventoinha de refrigeração arranca quando o volante atinge uma determinada temperatura (ao fim de alguns minutos de jogo, em função da intensidade dos efeitos Force Feedback utilizados).
 - A potência dos efeitos Force Feedback diminui automaticamente assim que o volante atinge uma temperatura muito mais alta (para proteger o motor). A intensidade destes efeitos aumenta automaticamente assim que a temperatura desce ligeiramente.
- Quando acaba de jogar: devido à inércia térmica do motor, a ventoinha de refrigeração continua a funcionar até a temperatura ser inferior ao nível de arranque da ventoinha. O volante foi concebido desta forma para facilitar o arrefecimento e proteger o motor (isto poderá demorar entre 5 e 45 minutos, consoante a temperatura atingida ao utilizar o volante num jogo).

BOTÃO MODE E LUZ INDICADORA (6)

Botão MODE para o conjunto de pedais

O conjunto de pedais incluído com o T300 RS possui 2 pedais.

Quando utilizar este conjunto de pedais, certifique-se de que a luz indicadora permanece vermelha, caso contrário o pedal do acelerador não funcionará corretamente.

O T300 RS também é compatível com conjuntos de pedais Thrustmaster dotados de 3 pedais (*vendidos à parte*); estes permitem trocar eletronicamente os pedais do acelerador e da embraiagem.

Para tal, basta premir o botão MODE (6) durante 2 segundos.

A memória interna do volante memoriza se os pedais foram trocados ou não.

PEDAIS DO ACELERADOR E DA EMBRAIAGEM	Cor da luz indicadora MODE (6)
NORMAL	VERMELHA
TROCADOS	VERDE

Outras sugestões relativas ao botão MODE

Para saber mais sobre o botão MODE e a luz indicadora, aceda a <http://ts.thrustmaster.com>. Na secção **Updates and Downloads**, clique em **PlayStation® / Wheels / T300 RS** e em seguida seleccione **Manual/Help file**.

COMPATIBILIDADE COM O ECOSISTEMA DE PRODUTOS THRUSTMASTER

A base do T300 RS é compatível com:

- Os seguintes volantes Thrustmaster destacáveis: "Ferrari F1 Wheel Add-on*", "Ferrari GTE Wheel Add-on*", "T300 RS PS Wheel", "T500 RS GT Wheel".
- O conjunto "Base Fixed Paddle Shifters*", que permite instalar pás de mudança de velocidades fixas na base.
- Os seguintes conjuntos de pedais Thrustmaster: "T3PA*" (Thrustmaster 3 Pedals Add-on) e o conjunto de pedais do volante T500 RS.
- As seguintes alavancas de velocidades (caixas de velocidades) Thrustmaster: "TH8A*" e "TH8RS*".

* Vendido à parte (para mais informações, aceda a <http://www.thrustmaster.com/products/t300rs>).

FICHEIROS DE AJUDA E FAQ (NÃO INCLUÍDOS NESTE MANUAL)

Aceda a <http://ts.thrustmaster.com> e, na secção **Updates and Downloads**, clique em **PlayStation® / Wheels / T300 RS** e seleccione **Manual/Help file**.

SUPORTE TÉCNICO

Se surgir algum problema com o seu produto, vá até <http://ts.thrustmaster.com> e clique em **Technical Support**. A partir daqui pode aceder a vários utilitários, como as perguntas mais frequentes (FAQ) ou as versões mais recentes dos controladores e do software, capazes de ajudá-lo a resolver o seu problema. Se o problema se mantiver, contacte o serviço de suporte técnico dos produtos Thrustmaster (“Technical Support”):

Por correio electrónico:

Para tirar partido do suporte técnico por correio electrónico, primeiro tem de se registar online. As informações que fornecer ajudarão os agentes a resolver mais rapidamente o seu problema. Clique em **Registration** no lado esquerdo da página Technical Support e siga as instruções que surgirem no ecrã. Se já tiver feito o seu registo, preencha os campos **Username** e **Password** e clique em **Login**.

Informações sobre a garantia para o consumidor

A Guillemot Corporation S.A. (a seguir designada como "Guillemot") garante a nível mundial ao consumidor que este produto Thrustmaster está livre de defeitos em termos de materiais e fabrico durante um período de garantia que corresponde ao limite de tempo para intentar uma ação de conformidade relativamente a este produto. Nos países da União Europeia, isto corresponde a um período de dois (2) desde a entrega do produto Thrustmaster. Noutros países, o período de garantia corresponde ao limite de tempo para intentar uma ação de conformidade relativamente ao produto Thrustmaster de acordo com a legislação em vigor do país no qual o consumidor residia à data de compra do produto Thrustmaster (se a dita ação não existir no país correspondente, então o período de garantia será de um (1) ano a partir da data de compra original do produto Thrustmaster.

Não obstante o supracitado, as baterias recarregáveis estão cobertas por um período de garantia de seis (6) meses a partir da data de compra original.

No caso de o produto apresentar algum defeito durante o período da garantia, contacte imediatamente o Suporte Técnico, que lhe indicará o procedimento a tomar. Se esse defeito se confirmar, o produto terá de ser devolvido ao respetivo local de compra (ou qualquer outro local indicado pelo Suporte Técnico).

No âmbito da presente garantia, e por opção do Suporte Técnico, o produto defeituoso do consumidor será reparado ou substituído. Se for permitido pela legislação em vigor, a responsabilidade total da Guillemot e das respetivas filiais (incluindo para danos indiretos) está limitada à reparação ou substituição do produto Thrustmaster. Se for permitido pela legislação em vigor, a Guillemot rejeita todas as garantias de comercialização ou adequação a um fim específico. Os direitos legais do consumidor no que concerne à legislação aplicável à venda de bens de consumo não são afetados pela presente garantia.

A presente garantia não se aplicará: (1) se o produto tiver sido modificado, aberto, alterado ou danificado em resultado de utilização inadequada ou abusiva, negligência, acidente, desgaste normal ou qualquer outra causa relacionada com um defeito de material ou fabrico (incluindo, mas sem limitação, combinar o produto Thrustmaster com qualquer elemento inadequado, incluindo, em particular, fontes de alimentação, baterias recarregáveis, carregadores ou quaisquer outros elementos não fornecidos pela Guillemot para este produto); (2) na eventualidade de incumprimento das instruções fornecidas pelo Suporte Técnico; (3) a software, estando o mesmo sujeito a uma garantia específica; (4) a consumíveis (elementos para substituir ao longo da vida útil do produto, como baterias descartáveis e auriculares de auscultadores, por exemplo); (5) a acessórios (cabos, estojos, bolsas, sacos e correias de pulso, por exemplo); (6) se o produto foi vendido num leilão público.

A presente garantia não é transmissível.

Responsabilidade

Se for permitido ao abrigo da legislação aplicável, a Guillemot Corporation S.A. (a seguir designada "Guillemot") e as respetivas filiais rejeitam qualquer responsabilidade por danos resultantes de uma ou mais das seguintes causas: (1) o produto foi modificado, aberto ou alterado; (2) incumprimento das instruções de montagem; (3) utilização inadequada ou abusiva, negligência ou acidente (um impacto, por exemplo); (4) desgaste normal. Se for permitido ao abrigo da legislação aplicável, a Guillemot e as respetivas filiais rejeitam qualquer responsabilidade por danos relacionados com um defeito de material ou fabrico relativamente ao produto (incluindo, mas sem limitação, quaisquer danos causados direta ou indiretamente por qualquer software ou por combinar o produto Thrustmaster com qualquer elemento inadequado, incluindo, em particular, fontes de alimentação, baterias recarregáveis, carregadores ou quaisquer outros elementos não fornecidos pela Guillemot para este produto).

DIREITOS DE AUTOR

© 2014 Guillemot Corporation S.A. Todos os direitos reservados. Thrustmaster® é uma marca registada da Guillemot Corporation S.A. “PS”, “PlayStation”, “PS3” e “ΔΟΧΩ” são marcas registadas da Sony Computer Entertainment, Inc. “PS4” é uma marca comercial da mesma empresa. Todas as outras marcas comerciais pertencem aos respetivos proprietários. As ilustrações não são vinculativas. Os conteúdos, os desenhos e as especificações estão sujeitos a alteração sem aviso prévio e podem variar consoante o país. Fabricado na China.

Tecnologia TouchSense® licenciada pela Immersion Corporation. Protegida por uma ou mais patentes norte-americanas disponíveis no seguinte endereço: www.immersion.com/patent-marking.html, bem como por outras patentes em processo de aprovação.

RECOMENDAÇÕES DE PROTECÇÃO AMBIENTAL



Na União Europeia: Quando este produto chegar ao fim da sua vida útil, não o elimine juntamente com os resíduos domésticos normais; em vez disso, deixe-o num ponto de recolha de resíduos de equipamento eléctrico e electrónico (REEE) para posterior reciclagem.

O símbolo presente no produto, no manual de utilizador ou na caixa confirma-o.

Os materiais podem ser reciclados, dependendo das suas características. Através da reciclagem e de outras formas de processamento de resíduos de equipamento eléctrico e electrónico, pode dar um importante contributo no sentido de ajudar a proteger o ambiente.

Contacte as autoridades locais para saber onde fica o ponto de recolha mais perto da sua área de residência.

Relativamente a todos os outros países: Respeite a legislação local sobre a reciclagem de equipamento eléctrico e electrónico.

Informações a reter. As cores e as decorações podem variar.

Os fechos e os adesivos devem ser removidos do produto antes da utilização.

www.thrustmaster.com

**Aplicável apenas à União Europeia e Turquia*



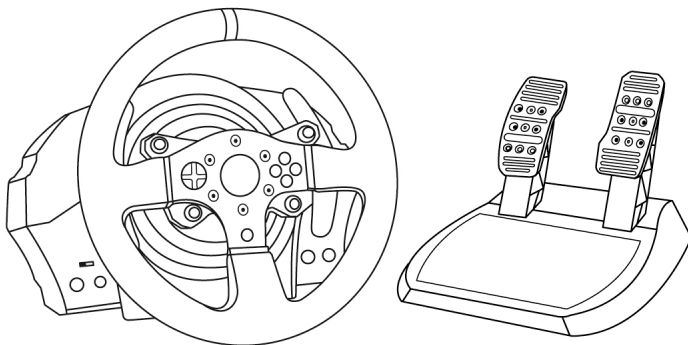
immersion.



T300RS

ДЛЯ PLAYSTATION®3 – PLAYSTATION®4

Инструкция по эксплуатации



ВНИМАНИЕ!

Для обеспечения оптимальной совместимости рулевой системы T300 RS с играми для PlayStation®3 или PlayStation®4, может потребоваться установка автоматических обновлений для игр *(их можно загрузить, подключив игровую консоль к Интернету).*

ENGLISH

FRAANÇAIS

DEUTSCH

NEDERLANDS

ITALIANO

ESPAÑOL

PORTUGUÊS

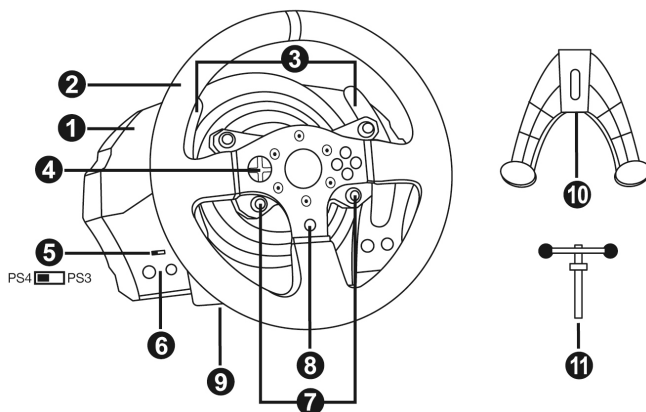
РУССКИЙ

EALMHKA

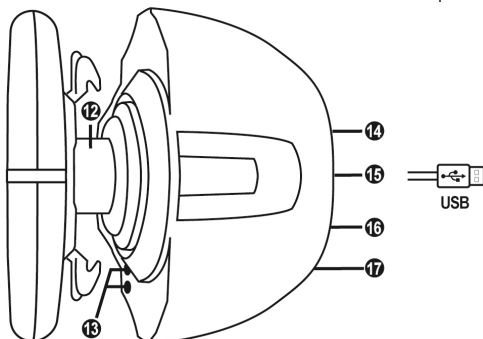
TÜRKÇE

POLSKI

ТЕХНИЧЕСКИЕ ХАРАКТЕРИСТИКИ



- | | | | |
|---|---|----|--|
| 1 | База системы T300 RS | 7 | Кнопки SELECT/START для PS3™ или SHARE/OPTIONS для PS4™ |
| 2 | Руль для консоли PS | 8 | Кнопка PS |
| 3 | 2 лепестковых переключателя (Up и Down) | 9 | Резьба под большой винт (для системы крепления и крепежного винта) |
| 4 | Многопозиционная кнопка | 10 | Система крепления |
| 5 | Переключатель USB-входа для PS4™ и PS3™ | 11 | Металлический крепежный винт |
| 6 | Кнопка MODE (Режим) + красный/зеленый индикатор | | |



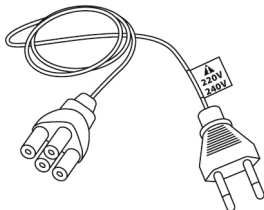
- | | | | |
|----|---|----|---|
| 12 | Система крепления Thrustmaster Quick Release | 15 | USB-кабель и разъем рулевой системы |
| 13 | Кнопки L3/R3 | 16 | Разъем для переключателя скоростей (коробки передач) (приобретается отдельно) |
| 14 | Разъем питания (типа А или В) (разные стандарты для разных стран) | 17 | Разъем для педального блока |


ПОДКЛЮЧЕНИЕ РУЛЕВОЙ СИСТЕМЫ К ЭЛЕКТРОРОЗЕТКЕ СНАЧАЛА ПРОЧИТЕ СЛЕДУЮЩЕЕ!

Тип блока питания рулевой системы зависит от страны приобретения устройства.
Блок питания может быть одного из следующих типов.

Встроенный, в следующей комплектации:

- * блок питания, интегрированный непосредственно в базу рулевого колеса, с разъемом типа A;
- * кабель питания для сети напряжением 220—240 В
= совместимый только с розетками 220—240 В.

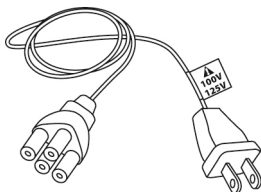



 Кабель для сети 220—240 В нельзя подключать к розетке с напряжением 100—130 В! Этот кабель нельзя подключать к сетевому адаптеру!!!



Встроенный, в следующей комплектации:

- * блок питания, интегрированный непосредственно в базу рулевого колеса, с разъемом типа A;
- * кабель питания для сети напряжением 100—125 В
= совместимый только с розетками 100—125 В.



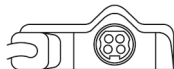
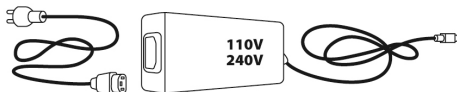
 Кабель для сети 100—125 В нельзя подключать к розетке с напряжением 220—240 В! Этот кабель нельзя подключать к сетевому адаптеру!!!



ВНИМАНИЕ! Если вам неизвестно, каково напряжение электросети в регионе, где вы используете рулевую систему, обратитесь к местному поставщику энергии.

Наружный, в следующей комплектации:

- * наружный блок питания с разъемом типа B;
- * кабель питания для электросети
= совместимый с сетью любого напряжения в диапазоне 110—240 В.



ПРЕДУПРЕЖДЕНИЯ

Перед эксплуатацией данного изделия внимательно ознакомьтесь с настоящей инструкцией и сохраните ее на будущее.



Внимание — опасность поражения электрическим током!

- * Изделие следует хранить в сухом месте, избегая попадания на него пыли и солнечного света.
- * Не допускается перекручивание разъемов и кабелей; кабели нельзя тянуть.
- * Не допускается попадание жидкости на изделие и его разъемы.
- * Не допускается короткое замыкание в цепи изделия.
- * Запрещается разбирать изделие, бросать изделие в огонь и подвергать его воздействию высоких температур.
- * Не допускается использование других кабелей питания, кроме кабеля, входящего в комплект рулевой системы.
- * Нельзя использовать кабель питания, если он или его разъемы повреждены, потрескались или сломаны.
- * Убедитесь, что кабель питания должным образом подключен к электророзетке и к разъему на задней стороне базы рулевого колеса.
- * Нельзя вскрывать систему рулевого колеса — в ней нет деталей, которые могут обслуживаться пользователем. Любой ремонт должен выполняться производителем, его авторизованным представителем или квалифицированным техническим специалистом.
- * Допускается использование только одобренных производителем систем крепления и аксессуаров.
- * В случае ненормального функционирования рулевой системы (при возникновении посторонних звуков, перегреве или запахе) следует немедленно прекратить использование системы, выключить кабель питания из розетки и отсоединить все остальные кабели.
- * Если предполагается, что рулевая система не будет использоваться продолжительное время, отключите кабель питания от розетки.



Вентиляционные отверстия

Не допускается блокирование вентиляционных отверстий на базе рулевой системы. Для обеспечения оптимальной вентиляции выполните следующие указания:

- * размещайте базу руля на расстоянии не менее 10 см от стен;
- * не размещайте базу в стесненном пространстве;
- * ничем не накрывайте базу;
- * не допускайте скопления пыли на вентиляционных отверстиях.



Из соображений безопасности никогда не нажимайте на педали босой ногой или ногой в носке (без обуви).

КОМПАНИЯ THRUSTMASTER® ОТКАЗЫВАЕТСЯ ОТ ЛЮБОЙ ОТВЕТСТВЕННОСТИ В СЛУЧАЕ ПОЛУЧЕНИЯ ТРАВМЫ В РЕЗУЛЬТАТЕ НАЖИМАНИЯ НА ПЕДАЛИ НЕОБУТЫМИ НОГАМИ.



Внимание — риск травмирования в результате повторяющихся движений и действия силовой обратной связи

Использование рулевой системы с силовой обратной связью может вызвать боль в мышцах или суставах. Советы по предотвращению проблем со здоровьем:

- * не проводите за игрой продолжительное время;
- * после каждого часа игры делайте 10-15-минутный перерыв;
- * если в кистях, запястьях, предплечьях, стопах или ногах появилась усталость или боль, прекратите игру и отдохните в течение нескольких часов, прежде чем снова приступить к игре.
- * если вышеуказанные признаки проявляются снова при возвращении к игре, прекратите игру и обратитесь к врачу;
- * держите систему вне доступа детей;
- * во время игры правильно располагайте обе руки на рулевом колесе и не позволяйте ему вращаться бесконтрольно;
- * во время игры ни в коем случае не засовывайте руки или пальцы под педали и не держите их рядом с педальным блоком;
- * во время калибровки и игры ни в коем случае не засовывайте руки в рулевое колесо;
- * обеспечьте надежную фиксацию базы рулевого колеса в соответствии с указаниями в инструкции по эксплуатации.

ТЯЖЕЛОЕ ИЗДЕЛИЕ



Не допускается использование изделия лицами моложе 16 лет



Не роняйте изделие на себя или на других лиц!

ПРАВИЛЬНО



НЕЛЬЗЯ



НЕЛЬЗЯ





Предупреждение — возможно сжатие педального блока во время игры

- * Держите педальный блок вне доступа детей.
- * Во время игры ни в коем случае не кладите пальцы на педали и не засовывайте их с боковых сторон педального блока.
- * Во время игры ни в коем случае не засовывайте их сзади в базу педального блока.
- * Во время игры ни в коем случае не засовывайте их спереди в базу педального блока.

НЕЛЬЗЯ



НЕЛЬЗЯ



НЕЛЬЗЯ



Предупреждение — возможно сжатие педального блока во время простоя

- * Храните педальный блок в безопасном месте вне зоны доступа детей.

ОБНОВЛЕНИЕ ПРОШИВКИ РУЛЕВОГО КОЛЕСА

Прошивку в базе рулевого колеса можно обновить до более поздней версии, содержащей усовершенствования.

Для просмотра установленной в данный момент версии прошивки и ее обновления при необходимости откройте сайт <http://ts.thrustmaster.com>. В разделе **Updates and Downloads** выберите **PlayStation® / Wheels / T300 RS**, затем откройте **Driver/Firmware** и выполните указания по загрузке и установке прошивки.

УСТАНОВКА РУЛЕВОГО КОЛЕСА НА БАЗУ

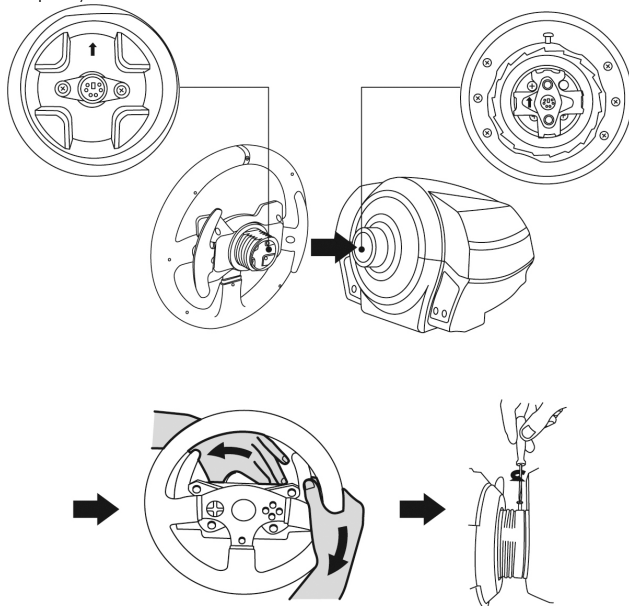
С помощью стрелок соотнесите разъемы.

Разъем на базе (1): стрелка указывает вверх.

Разъем на руле (2): стрелка указывает вверх.

После правильного позиционирования разъемов просто поверните кольцо крепежной системы Thrustmaster Quick Release (12) против часовой стрелки, удерживая на месте руль (2).

Затем с максимальным усилием затяните кольцо, удерживая его на месте и поворачивая руль (по часовой стрелке).



Установив руль, поверните его на 180° (если смотреть на руль, логотип PlayStation® должен быть перевернут «вверх ногами»), чтобы получить доступ к малому крепежному винту на кольце системы Thrustmaster Quick Release (12). С помощью большой отвертки Phillips затяните малый крепежный винт (без чрезмерного усилия) по часовой стрелке.



Не прилагайте чрезмерных усилий при затягивании малого крепежного винта (с помощью отвертки Phillips)!

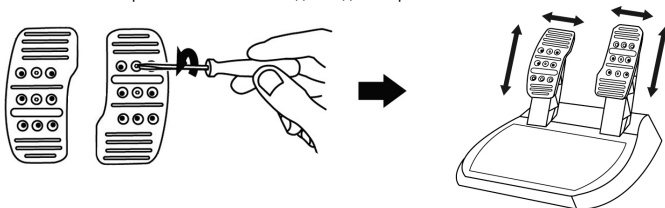
Прекратите затягивание, как только почувствуете сопротивление

РЕГУЛИРОВКА ВЫСОТЫ И РАССТОЯНИЯ МЕЖДУ ПЕДАЛЯМИ

С помощью отвертки Phillips (не входит в комплект) открутите 2 крепежных винта, удерживающих педали на pedalных рычагах.

Затем отрегулируйте высоту педалей и расстояние между ними в соответствии со своими предпочтениями.

- Возможно 6 различных положений для педали газа.
- Возможно 6 различных положений для педали тормоза.



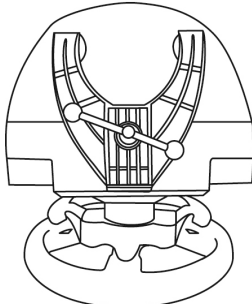
Отрегулировав педали по высоте и промежуточному расстоянию, заново закрутите 2 крепежных винта, удерживающих педали на pedalных рычагах.

УСТАНОВКА РУЛЕВОЙ СИСТЕМЫ

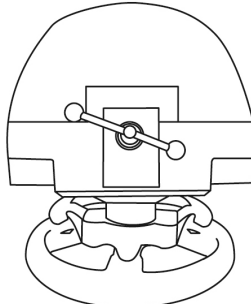
Размещение рулевого колеса на столе.

1. Расположите гоночный руль на столе или иной горизонтальной плоской и устойчивой поверхности.
2. Вставьте крепежный винт (11) в систему крепления (10) и надежно зафиксируйте руль, затягивая винт против часовой стрелки, так чтобы он вошел в большое резьбовое отверстие (9), расположенное ниже руля.

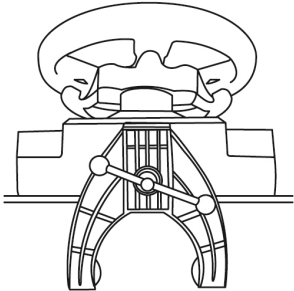
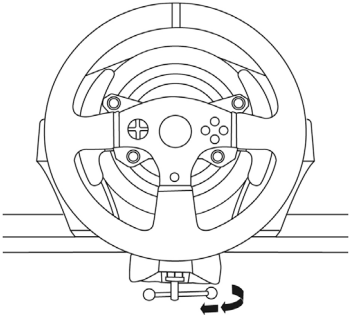
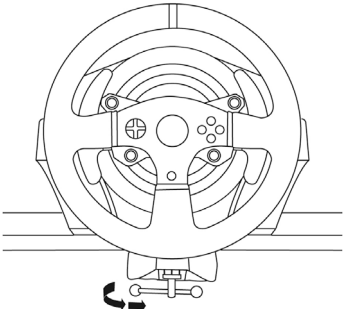
ПРАВИЛЬНО



НЕЛЬЗЯ



ВНИМАНИЕ! Нельзя закручивать винт без системы крепления!
(В противном случае возможно повреждение рулевой системы.)

УСТАНОВКА / ДЕМОНТАЖ	НАПРАВЛЕНИЕ
<p><u>Фиксация</u></p> <p>Закручивайте винт против часовой стрелки</p>	 
<p><u>Ослабление</u></p> <p>Раскручивайте винт по часовой стрелке</p>	

Закрепление базы рулевого колеса на кокпите

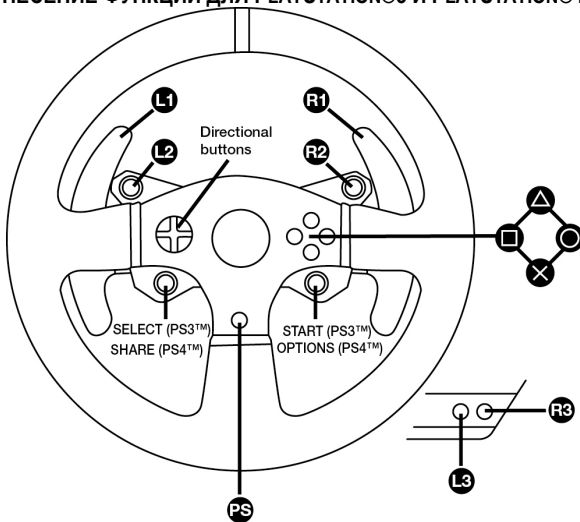
1. Разместите базу рулевого колеса на щитке кокпита.
2. Через отверстия в щитке кокпита вставьте два винта М6 (не входят в комплект) в два небольших винтовых отверстия на нижней стороне базы руля.
Важно! Длина винтов М6 не должна превышать толщину щитка + 12 мм; более длинные винты могут вызвать повреждение внутренних деталей базы руля.
3. При необходимости затяните стандартную систему крепления, вставив крепежный винт в большое резьбовое отверстие.

Закрепление педального блока в кокпите

1. Закрепите педальный блок с помощью небольших резьбовых отверстий на его нижней поверхности.
2. Через отверстия в щитке кокпита вставьте два винта М6 (не входят в комплект) в два небольших винтовых отверстия на нижней стороне педального блока.
Важно! Длина винтов М6 не должна превышать толщину щитка + 10 мм; более длинные винты могут вызвать повреждение внутренних деталей педального блока.

Компоновочные схемы для кокпитов (размещение базы рулевого колеса и/или педального блока) можно найти на сайте <http://ts.thrustmaster.com>; в разделе **Updates and Downloads** выберите **PlayStation® / Wheels / T300 RS** и откройте **Manual/Help file**.

СООТНЕСЕНИЕ ФУНКЦИЙ ДЛЯ PLAYSTATION®3 И PLAYSTATION®4



НАСТРОЙКА РУЛЕВОЙ СИСТЕМЫ ДЛЯ PLAYSTATION®3 ИЛИ PLAYSTATION®4

1. Подключите педальный блок к разъему (17) на задней стороне базы рулевого колеса.
2. Подключите кабель питания к разъему (14) на задней стороне базы рулевого колеса.
3. Подключите кабель питания к электророзетке соответствующего напряжения.



Подробнее это описано в разделе «ПОДКЛЮЧЕНИЕ РУЛЕВОЙ СИСТЕМЫ К ЭЛЕКТРОРОЗЕТКЕ» на стр. 3 настоящего руководства.

4. Переведите переключатель USB-входа (5) на базе рулевого колеса в положение PS3™ или PS4™, в зависимости от используемой консоли или игры.
5. Подключите USB-кабель рулевой системы (15) к одному из USB-портов консоли.
6. После включения консоли автоматически выполняется калибровка рулевого колеса.
7. Для консоли PlayStation®4 (когда переключатель USB-входа находится в положении PS4™): нажмите кнопку PS на рулевом колесе (8) и откройте свой игровой профиль Sony Entertainment Network, чтобы можно было использовать руль.

Теперь все готово для игры!

Важно!

- Переключатель USB-входа (5) на базе рулевого колеса обязательно должен быть переведен в правильное положение (PS3™ или PS4™) перед подключением к консоли USB-кабеля. Для изменения положения переключателя отсоедините USB-кабель от консоли и переведите переключатель в нужное положение, после чего снова подключите USB-кабель к консоли.
- Для использования консоли PlayStation®3 переключатель USB-входа (5) обязательно должен быть переведен в положение PS3™:
 - * Большинство игр рулевая система распознается как руль T500RS.
 - * Функции рулевой системы поддерживаются совместимыми играми и меню консолей.
 - * Функция PS действует на рулевой системе.
- Для консоли PlayStation®4, когда переключатель USB (5) находится в положении PS3™:
 - * Большинство игр рулевая система распознается как руль T500RS.
 - * Функции руля поддерживаются совместимыми играми, но не меню консолей.
 - * Функции SHARE и PS не действуют на рулевой системе.
- Для консоли PlayStation®4, когда переключатель USB (5) находится в положении PS4™:
 - * Не забудьте нажать кнопку PS на рулевом колесе (8) и открыть свой игровой профиль, чтобы можно было использовать руль.
 - * Большинство игр рулевая система распознается как руль T300 RS.
 - * Функции рулевой системы поддерживаются совместимыми играми и меню консолей.
 - * Функции SHARE и PS действуют на рулевой системе.
- *Перечень игр для PlayStation®3 и PlayStation®4, совместимых с рулевой системой T300 RS (с указанием необходимого положения переключателя USB-входа (5) в соответствии с используемой игрой) можно найти на сайте: <http://ts.thrustmaster.com> (в разделе Updates and Downloadsвыберите PlayStation / Wheels / T300 RS). Этот список регулярно обновляется.*

НАСТРОЙКА РУЛЕВОЙ СИСТЕМЫ ДЛЯ ПК

Важно!

При использовании ПК переключатель USB (5) на базе рулевого колеса всегда должен находиться в положении PS3™.

1. Загрузите драйверы и программу Force Feedback для ПК на сайте <http://ts.thrustmaster.com>. В разделе Updates and Downloads (Обновления и загрузки) выберите PC / Wheels / T300 RS и Drivers.

2. После завершения загрузки запустите процесс установки и выполните указания на экране по подключению USB-кабеля к компьютеру и завершению установки.

3. После завершения установки щелкните кнопку «Готово» и перезапустите компьютер.

4. Выберите «Пуск / Все программы / Thrustmaster / FFB Racing Wheel / Control Panel», чтобы открыть окно «Игровые устройства».

В окне «Игровые устройства» отображается рулевая система T300 RS Racing Wheel с состоянием «ОК».

5. Щелкните «Свойства», чтобы настроить параметры рулевой системы T300 RS на панели управления:

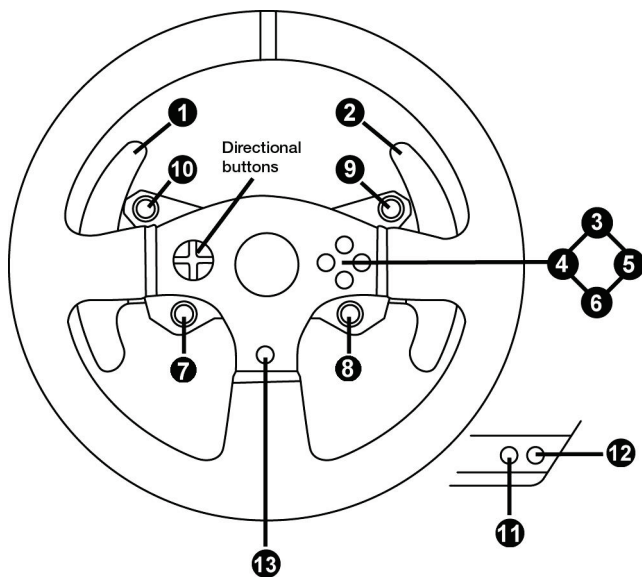
- вкладка Test Input (Тест входа): возможность протестировать и просмотреть функциональные кнопки и кнопки направлений, оси руля и педалей, а также отрегулировать угол поворота руля в играх на ПК;
- вкладка Test Forces (Тест силовой обратной связи): возможность протестировать 12 эффектов силовой обратной связи;
- вкладка Gain Settings (Параметры усиления): регулировка мощности эффектов силовой обратной связи в играх на ПК.

Теперь все готово для игры!

Общие примечания:

- перед запуском игры на ПК щелкните ОК, чтобы закрыть окно «Игровые устройства»;
- настройки, сделанные в окне «Игровые устройства» будут сохранены только на компьютере (они не будут иметь силы на консоли PlayStation®3 или PlayStation®4);
- версия прошивки руля отображается в верхнем правом углу на вкладках панели управления системы T300 RS.

РАСКЛАДКА ФУНКЦИЙ ДЛЯ ПК



ENGLISH

FRAÇAIS

DEUTSCH

NEDERLANDS

ITALIANO

ESPAÑOL

PORTUGUÊS

РУССКИЙ

ΕΛΛΗΝΙΚΑ

TÜRKÇE

POLSKI

АВТОМАТИЧЕСКАЯ КАЛИБРОВКА РУЛЯ И ПЕДАЛЬНОГО БЛОКА

Калибровка гоночного руля выполняется автоматически при подключении рулевой системы к электророзетке и к игровой консоли через USB-разъем.

Во время этой процедуры руль быстро вращается влево и вправо, совершая поворот на 900 градусов, и затем останавливается в центре.



ВНИМАНИЕ!

Во время автокалибровки нельзя дотрагиваться до руля!

(В противном случае возможен сбой калибровки и/или телесная травма).

АВТОМАТИЧЕСКАЯ КАЛИБРОВКА ПЕДАЛЬНОГО БЛОКА

Нельзя подключать педальный блок к базе рулевого колеса (и отключать его от базы), если система подключена к консоли и во время игры (в противном случае возможен сбой калибровки).

Педальный блок следует подключать к рулевой системе перед ее подключением к консоли.

После завершения калибровки руля и запуска игры несколькими нажатиями на педали включается их автоматическая калибровка.



ВНИМАНИЕ!

Нельзя нажимать педали во время автокалибровки руля и во время загрузки игры!

(В противном случае возможен сбой калибровки).

Если гоночный руль и/или педальный блок не работают должным образом или кажутся неверно откалиброванными:

выключите консоль и полностью отсоедините рулевую систему; затем заново подключите все кабели (в том числе кабели питания и педального блока) и перезапустите консоль и игру.

ВСТРОЕННЫЙ ДАТЧИК ТЕМПЕРАТУРЫ

Механизм охлаждения рулевой системы состоит из теплоотвода и вентилятора.

- Термостат контролирует внутреннюю температуру рулевой системы.
- Во время игры с задействованием руля:
 - охлаждающий вентилятор включается, когда температура достигает определенного значения (через несколько минут после начала игры, в зависимости от настроенного уровня силовой обратной связи);
 - мощность эффектов силовой обратной связи автоматически ослабевает с достижением значительно более высокой температуры руля (в целях защиты мотора). Мощность этих эффектов автоматически возрастает при небольшом падении температуры.
- После окончания игры вентилятор продолжает работу, до тех пор пока температура не упадет ниже заданного значения, что связано с тепловой инертностью мотора. Подобная конструкция рулевой системы позволяет упростить процесс охлаждения и защитить мотор (время охлаждения может составить от 5 до 45 минут, в зависимости от температуры, достигнутой во время игры).

КНОПКА И ИНДИКАТОР MODE(6)

Кнопка MODE для педального блока

Педальный блок, входящий в комплект рулевой системы T300 RS, оснащен двумя педалями. При использовании педального блока индикатор должен гореть красным, иначе педаль ускорения не будет работать должным образом.

Рулевая система T300 RS совместима также с педальными блоками Thrustmaster с тремя педалями (*приобретаются отдельно*); на которых можно электронным способом поменять местами педали сцепления и газа.

Для этого достаточно нажать кнопку MODE (6) на 2 сек.

Во встроенной памяти рулевой системы сохраняются данные о переносе педалей.

ПЕДАЛИ УСКОРЕНИЯ И СЦЕПЛЕНИЯ	Цвет индикатора MODE (6)
ОБЫЧНЫЙ РЕЖИМ	КРАСНЫЙ
ОБРАТНЫЙ РЕЖИМ	ЗЕЛЕНый

Другие советы по использованию кнопки MODE

Подробнее о кнопке и индикаторе MODE рассказывается на сайте <http://ts.thrustmaster.com>. В разделе **Updates and Downloads** выберите **PlayStation® / Wheels / T300 RS**, затем откройте **Manual/Help file**.

СОВМЕСТИМОСТЬ С СЕРИЕЙ ПРОДУКТОВ THRUSTMASTER

Продукты, совместимые с базой системы T300 RS:

- следующие съемные рули Thrustmaster: Ferrari F1 Wheel Add-on*, Ferrari GTE Wheel Add-on*, T300 RS PS Wheel, T500RS GT Wheel*;
- комплект закрепляемых на базе лепестковых переключателей Base Fixed Paddle Shifters*;
- следующие педальные блоки Thrustmaster: T3PA* (Thrustmaster 3 Pedals Add-on) и педальный блок рулевой системы T500RS;
- следующие коробки передач Thrustmaster: TH8A* и TH8RS*.

* *Приобретаются отдельно (подробнее см. на сайте <http://www.thrustmaster.com/products/t300rs>).*

СПРАВКА И ОТВЕТЫ НА ЧАСТЫЕ ВОПРОСЫ (НЕ ПРИВЕДЕННЫЕ В НАСТОЯЩЕМ РУКОВОДСТВЕ)

На сайте <http://ts.thrustmaster.com> в разделе **Updates and Downloads** выберите **PlayStation® / Wheels / T300 RS**, затем откройте **Manual/Help file**.

ТЕХНИЧЕСКАЯ ПОДДЕРЖКА

При возникновении проблем, связанных с использованием контроллера, зайдите на веб-сайт <http://ts.thrustmaster.com> и перейдите по ссылке **Technical Support (техническая поддержка)**. На этой странице есть доступ к различным утилитам (часто задаваемые вопросы (FAQ), самые новые версии драйверов и программного обеспечения) – это может помочь решению проблемы. Если это не помогло, можно связаться со службой технической поддержки Thrustmaster (“Technical Support”):

По электронной почте:

Чтобы отправить запрос в отдел технической поддержки по электронной почте, необходимо зарегистрироваться. Предоставленная информация поможет быстрее решить проблему. Перейдите по ссылке **Registration (регистрация)**, которая находится слева на странице технической поддержки Technical Support и следуйте инструкциям на экране. Если вы уже зарегистрированы, введите **имя пользователя** и **пароль**, затем щелкните **Login (вход)**.

Сведения о потребительской гарантии

Корпорация Guillemot Corporation S.A. (далее — «Guillemot») гарантирует своим клиентам во всем мире, что в данном изделии Thrustmaster не будет выявлено никаких дефектов материалов и производства в течение гарантийного периода, который равен сроку предъявления претензии по соответствию для данного изделия. В странах Европейского Союза этот срок соответствует двум (2) годам с момента поставки изделия Thrustmaster. В других странах гарантийный период равен сроку предъявления претензии по соответствию для изделия Thrustmaster, определяемому соответствующим законодательством страны, в которой проживал потребитель на момент приобретения изделия Thrustmaster (если подобные претензии не действуют в соответствующей стране, гарантийный период равняется одному (1) году с первоначальной даты приобретения изделия Thrustmaster).

Невзирая на вышеизложенное, гарантия на аккумуляторы равняется шести (6) месяцам с первоначальной даты приобретения.

В случае обнаружения дефектов изделия во время гарантийного периода незамедлительно обратитесь в службу технической поддержки, сотрудники которой определяют дальнейшую процедуру. Если дефект будет подтвержден, изделие следует вернуть по месту приобретения (или в любое другое место, указанное службой технической поддержки).

В рамках действия гарантии дефектное изделие будет, по усмотрению службы технической поддержки, отремонтировано или заменено. В мере, разрешенной применимым законодательством, полная ответственность компании Guillemot и ее дочерних компаний (в том числе косвенный ущерб) ограничивается ремонтом или заменой изделия Thrustmaster. В мере, разрешенной применимым законодательством, компания Guillemot отказывается от любых гарантий коммерческой пригодности или пригодности для определенной цели. Настоящая гарантия не ущемляет прав потребителя, предоставляемых ему применимыми законами в отношении продажи потребительских товаров.


Настоящая гарантия не распространяется: (1) на ситуации, когда изделие было видоизменено, открыто, модифицировано или получило повреждения в результате недопустимого или неправильного использования, небрежности или несчастного случая, естественного износа или любой другой причины, не связанной с дефектом материалов или производства (включая, помимо прочего, использование изделия Thrustmaster совместно с любыми неподходящими элементами, в частности — с блоками питания, аккумуляторами, зарядными устройствами и любыми другими элементами, не входящими в комплектацию Guillemot для данного изделия); (2) на ситуации, когда указания службы технической поддержки не были выполнены; (3) на ПО, так как на такое ПО распространяется отдельная гарантия; (4) на расходные материалы (элементы, предназначенные для замены в течение срока службы изделия: например, батарейки и ушные подушки для гарнитур или наушников); (5) на аксессуары (например, кабели, чехлы, сумки, футляры, наручные ремешки); (6) на случаи продажи изделия с открытого аукциона.

Данная гарантия не подлежит передаче.

Ответственность

В мере, разрешенной применимым законодательством, компания Guillemot Corporation S.A. (далее — «Guillemot») и ее дочерние предприятия отказываются от любой ответственности за любой ущерб, вызванный одним или несколькими из следующих факторов: (1) видоизменение, вскрытие или модификация изделия; (2) несоблюдение инструкций по сборке; (3) недопустимое или неправильное использование, небрежность, несчастный случай (например, физическое воздействие); (4) естественный износ. В мере, разрешенной применимым законодательством, компания Guillemot и ее дочерние предприятия отказываются от любой ответственности за любой ущерб, не связанный с дефектами материалов или изготовления, в отношении данного изделия (включая, помимо прочего, любой ущерб, вызванный прямо или опосредованно любым программным обеспечением или использованием изделия Thrustmaster с любыми неподходящими элементами, в частности — блоками питания, аккумуляторами, зарядными устройствами и любыми другими элементами, не входящими в комплектацию Guillemot для данного изделия).

АВТОРСКИЕ ПРАВА

© Корпорация 2014 Guillemot Corporation S.A. Все права защищены. Thrustmaster® является зарегистрированным товарным знаком корпорации Guillemot Corporation S.A. , PlayStation, PS3 и ДХОК являются зарегистрированными товарными знаками компании Sony Computer Entertainment, Inc. PS4 является зарегистрированным товарным знаком этой же компании. Все остальные товарные знаки являются собственностью соответствующих владельцев. Иллюстрации могут не соответствовать внешнему виду/функциям конкретного изделия. Содержание, конструкция и технические характеристики изделия могут быть изменены без предварительного уведомления и зависят от страны приобретения. Сделано в Китае. Технология TouchSense® по лицензии от корпорации Immersion Corporation. Защищено одним или несколькими патентами США, с которыми можно ознакомиться на сайте www.immersion.com/patent-marking.html, и другими патентами, ожидающими рассмотрения.

РЕКОМЕНДАЦИИ ПО ЗАЩИТЕ ОКРУЖАЮЩЕЙ СРЕДЫ



В странах ЕС: после окончания срока службы данное изделие следует утилизировать не вместе с бытовым мусором, а в пункте сбора отходов электрического и электронного оборудования.

Данное указание подтверждается соответствующим символом, нанесенным на изделие, руководство пользователя или упаковку.

В зависимости от свойств, материалы могут передаваться в повторную переработку. Повторная переработка отходов электрического и электронного оборудования может внести значительный вклад в сохранение окружающей среды.

Обратитесь в местные органы власти за информацией о ближайшем пункте приема таких отходов. В других странах: в соответствии с местными законами по утилизации электрического и электронного оборудования.

При пользовании изделием учитывайте следующее: цвета и дизайн могут различаться. Пластиковые стяжки и клейкую ленту следует снять перед использованием изделия.

www.thrustmaster.com

**Применимо только в ЕС и Турции*



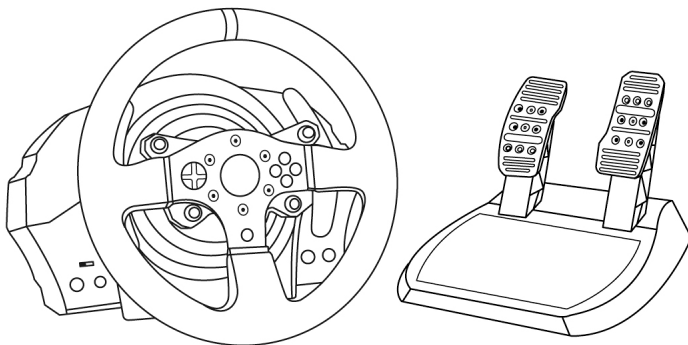
immersion.



T300RS

ΓΙΑ PLAYSTATION®3 – PLAYSTATION®4

Εγχειρίδιο χρήσης



ΠΡΟΕΙΔΟΠΟΙΗΣΗ:

Για να βεβαιωθείτε ότι η τιμονιέρα T300 RS λειτουργεί σωστά με τα παιχνίδια για την κονσόλα PlayStation®3 ή PlayStation®4, ίσως χρειαστεί να εγκαταστήσετε τις αυτόματες ενημερώσεις των παιχνιδιών (είναι διαθέσιμα όταν η κονσόλα παιχνιδιών είναι συνδεδεμένη στο Internet).

ENGLISH

FRANÇAIS

DEUTSCH

NEDERLANDS

ITALIANO

ESPAÑOL

PORTUGUÊS

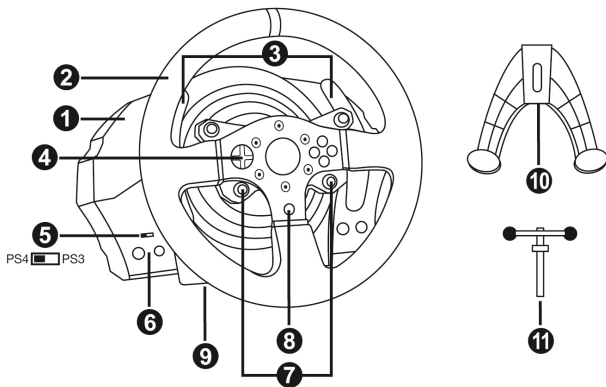
РУССКИЙ

ΕΛΛΗΝΙΚΑ

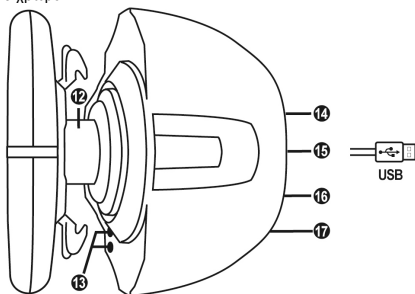
TÜRKÇE

POLSKI

ΤΕΧΝΙΚΑ ΧΑΡΑΚΤΗΡΙΣΤΙΚΑ



- | | |
|---|--|
| <p>1 Βάση T300 RS</p> <p>2 Τιμόνι PS</p> <p>3 2 μοχλοί αλλαγής ταχυτήτων σειριακής διάταξης (Up & Down)</p> <p>4 Σταυρός κατευθύνσεων πολλών κατευθύνσεων</p> <p>5 Διακόπτης επιλογή USB για PS4™ ή PS3™</p> <p>6 Κουμπιά MODE + λυχνία ένδειξης με κόκκινο/πράσινο χρώμα</p> | <p>7 Κουμπιά SELECT/START στο PS3™ και SHARE/OPTIONS στο PS4™</p> <p>8 Κουμπιά PS</p> <p>9 Οπή μεγάλου σπειρώματος (για σύστημα προσάρτησης και βίδα σύσφιξης)</p> <p>10 Σύστημα προσάρτησης</p> <p>11 Μεταλλική βίδα σύσφιξης</p> |
|---|--|



- | | |
|--|--|
| <p>12 Thrustmaster Quick Release</p> <p>13 Κουμπιά L3/R3</p> <p>14 Υποδοχή παροχής ρεύματος (τύπος A ή B) <i>(πωλείται από χώρα σε χώρα)</i></p> | <p>15 Καλώδιο USB και υποδοχή αγωνιστικού τιμονιού</p> <p>16 Υποδοχή μοχλού (αλλαγής ταχυτήτων) <i>(πωλείται χωριστά)</i></p> <p>17 Υποδοχή σει πεντάλ</p> |
|--|--|

ΣΥΝΔΕΣΗ ΤΗΣ ΤΙΜΟΝΙΕΡΑΣ ΣΤΟ ΡΕΥΜΑ: ΔΙΑΒΑΣΤΕ ΠΡΙΝ ΣΥΝΕΧΙΣΕΤΕ!

Η υποδοχή τροφοδοσίας της τιμονιέρας ποικίλλει ανάλογα με τη χώρα από την οποία αγοράσατε τη συσκευή σας.

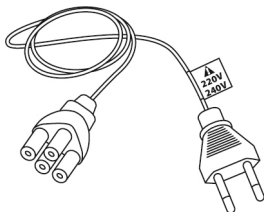
Η υποδοχή τροφοδοσίας μπορεί να είναι:

Εσωτερική, με τα εξής:

* μια μονάδα τροφοδοσίας ρεύματος τοποθετημένη απευθείας στο εσωτερικό της βάσης της τιμονιέρας, με υποδοχή τύπου A.

* καλώδιο τροφοδοσίας ρεύματος 220-240 V.

= συμβατό μόνο με δίκτυα ρεύματος 220-240 V.



Ποτέ μην συνδέετε το καλώδιο ρεύματος 220-240 V σε πρίζα ρεύματος 100-130 V!!!

Ποτέ μην συνδέετε αυτό το καλώδιο σε προσαρμογέα ρεύματος!!!

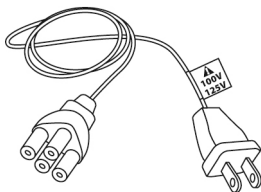


Εσωτερική, με τα εξής:

* μια μονάδα τροφοδοσίας ρεύματος τοποθετημένη απευθείας στο εσωτερικό της βάσης της τιμονιέρας, με υποδοχή τύπου A.

* καλώδιο τροφοδοσίας ρεύματος 100-125 V.

= συμβατό μόνο με δίκτυα ρεύματος 100-125 V.



Ποτέ μην συνδέετε το καλώδιο ρεύματος 100-125 V σε πρίζα ρεύματος 220-240 V!!!

Ποτέ μην συνδέετε αυτό το καλώδιο σε προσαρμογέα ρεύματος!!!



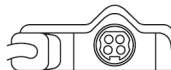
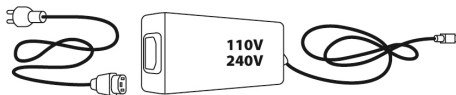
ΣΗΜΑΝΤΙΚΟ: Αν δεν γνωρίζετε τι τάση υπάρχει στον χώρο που χρησιμοποιείτε την τιμονιέρα σας, ρωτήστε τον τοπικό σας πάροχο ρεύματος.

Εξωτερική, με τα εξής:

* μια εξωτερική μονάδα παροχής ρεύματος, με υποδοχή τύπου B.

* καλώδιο τροφοδοσίας ρεύματος.

= συμβατό με όλες τις τάσεις ρεύματος, από 110-240 V.



ΠΡΟΕΙΔΟΠΟΙΗΣΕΙΣ

Πριν χρησιμοποιήσετε αυτό το προϊόν, διαβάστε προσεκτικά το παρόν εγχειρίδιο και φυλάξτε το για μελλοντική αναφορά.



Προειδοποίηση – Ηλεκτροπληξία

- * Κρατήστε αυτό το προϊόν σε στεγνό μέρος και μην το εκθέτετε σε σκόνη ή στον ήλιο.
- * Μην περιστρέφετε ή τραβάτε τις υποδοχές και τα καλώδια.
- * Μην ρίχνετε υγρό στο προϊόν και τις υποδοχές του.
- * Μην βραχυκυκλώνετε το προϊόν.
- * Ποτέ μην αποσυναρμολογείτε το προϊόν. Μην ρίχνετε το προϊόν σε φωτιά και μην το εκθέτετε σε υψηλές θερμοκρασίες.
- * Μην χρησιμοποιείτε άλλο καλώδιο τροφοδοσίας πέρα από αυτό που παρέχεται μαζί με την τιμονιέρα σας.
- * Μην χρησιμοποιείτε το καλώδιο του αντάππορα δικτύου εάν το καλώδιο ή οι συνδέσεις έχουν φθορές, έχουν διαχωριστεί ή κοπεί.
- * Βεβαιωθείτε ότι το καλώδιο παροχής ρεύματος έχει τοποθετηθεί σωστά στην πρίζα και είναι σωστά συνδεδεμένο στην υποδοχή που βρίσκεται στην πίσω όψη της βάσης της τιμονιέρας.
- * Μην ανοίγετε την τιμονιέρα: δεν υπάρχουν ανταλλακτικά μέσα που μπορούν να επιδιορθωθούν από τον χρήστη. Οποιαδήποτε συντήρηση πρέπει να πραγματοποιείται από τον κατασκευαστή, τον εξουσιοδοτημένο αντιπρόσωπο ή κάποιον εξειδικευμένο τεχνικό.
- * Χρησιμοποιείτε μόνο πρόσθετα του συστήματος/αξεσουάρ που καθορίζει ο κατασκευαστής.
- * Εάν η τιμονιέρα λειτουργεί με ασυνήθιστο τρόπο (εάν ακούγονται περίεργοι ήχοι, εκπέμπεται θερμότητα ή αναδύονται οσμές), σταματήστε τη χρήση αμέσως, αποσυνδέστε το καλώδιο τροφοδοσίας από την πρίζα και αποσυνδέστε τα υπόλοιπα καλώδια.
- * Αν δεν σκοπεύετε να χρησιμοποιήσετε την τιμονιέρα για μεγάλο χρονικό διάστημα, αποσυνδέστε το καλώδιο παροχής ρεύματος από την πρίζα.



Αεραγωγοί

Βεβαιωθείτε ότι δεν μπλοκάρετε κανέναν από τους αεραγωγούς στη βάση της τιμονιέρας. Για τον καλύτερο δυνατό αερισμό, ακολουθήστε τις παρακάτω οδηγίες:

- * Τοποθετήστε τη βάση του τιμονιού τουλάχιστον 10 εκατοστά μακριά από τους τοίχους.
- * Μην τοποθετείτε τη βάση σε στενούς χώρους.
- * Μην καλύπτετε τη βάση.
- * Μην αφήνετε να συσσωρευτεί σκόνη επάνω στους αεραγωγούς.



**Για λόγους ασφάλειας, ποτέ μην χρησιμοποιείτε το σετ των πεντάλ ζυπόλητοι ή φορώντας μόνο κάλτσες.
H THRUSTMASTER® ΑΠΟΠΟΙΕΙΤΑΙ ΟΠΟΙΑΣΔΗΠΟΤΕ ΕΥΘΥΝΗΣ
ΣΕ ΠΕΡΙΠΤΩΣΗ ΤΡΑΥΜΑΤΙΣΜΟΥ ΠΟΥ ΠΡΟΚΑΛΕΙΤΑΙ ΑΠΟ ΤΗ
ΧΡΗΣΗ ΤΟΥ ΣΕΤ ΤΩΝ ΠΕΝΤΑΛ ΧΩΡΙΣ ΠΑΠΟΥΤΣΙΑ.**



Προειδοποίηση – Τραυματισμοί λόγω τεχνολογίας Force Feedback και επαναλαμβανόμενων κινήσεων

Το παιχνίδι με ένα τιμόνι τεχνολογίας Force Feedback ενδεχομένως να προκαλέσει πόνο στους μύες ή στις αρθρώσεις. Προς αποφυγή οποιονδήποτε προβλημάτων:

- * Αποφύγετε να παίζετε συνεχόμενα για μεγάλο χρονικό διάστημα.
- * Κάντε διαλείμματα διάρκειας 10 έως 15 λεπτών μετά από κάθε μία ώρα παιχνιδιού.
- * Αν νιώσετε κόπωση ή πόνο σε χέρια, καρπούς, μπράτσα, πέλματα ή πόδια, σταματήστε το παιχνίδι και ξεκουραστείτε για μερικές ώρες πριν αρχίσετε ξανά το παιχνίδι.



Προειδοποίηση – Τραυματισμοί λόγω τεχνολογίας Force Feedback και επαναλαμβανόμενων κινήσεων (συνέχεια)

- * Αν τα συμπτώματα ή ο πόνος που αναφέρθηκαν παραπάνω επιμένουν όταν αρχίσετε ξανά το παιχνίδι, σταματήστε να παίζετε και επισκεφτείτε τον ιατρό σας.
- * Κρατήστε το προϊόν μακριά από παιδιά.
- * Κατά τη διάρκεια του παιχνιδιού, έχετε πάντα και τα δύο χέρια σωστά τοποθετημένα στο τιμόνι χωρίς να το αφήνετε εντελώς.
- * Κατά τη διάρκεια των παιχνιδιών, ποτέ μην τοποθετείτε τα χέρια ή τα δάκτυλά σας κάτω από τα πεντάλ ή οπουδήποτε κοντά στο σετ των πεντάλ.
- * Κατά τη διάρκεια της βαθμονόμησης και του παιχνιδιού, ποτέ μην τοποθετείτε το χέρι ή το μπράτσο σας μέσα στα ανοίγματα της τιμονιέρας.
- * Βεβαιωθείτε ότι η βάση της τιμονιέρας είναι σωστά ασφαλισμένη, σύμφωνα με τις οδηγίες αυτού του εγχειριδίου.



Το προϊόν προορίζεται για χρήστες 16 ετών ή μεγαλύτερους

ΒΑΡΥ ΠΡΟΪΟΝ



Προσέχετε να μην ρίξετε το προϊόν επάνω σας ή επάνω σε κάποιον άλλον!

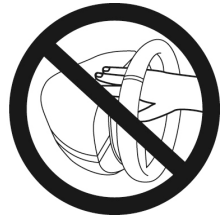
ΠΑΝΤΑ



ΠΟΤΕ



ΠΟΤΕ





Προειδοποίηση – Κίνδυνος μαγκώματος στο σετ των πεντάλ όταν παίζετε

- * Κρατήστε το σετ των πεντάλ μακριά από παιδιά.
- * Κατά τη διάρκεια του παιχνιδιού, ποτέ μην τοποθετείτε τα δάκτυλά σας επάνω ή οπουδήποτε κοντά στις πλευρές των πεντάλ.
- * Κατά τη διάρκεια του παιχνιδιού, ποτέ μην τοποθετείτε τα δάκτυλά σας επάνω ή οπουδήποτε κοντά στην μπροστινή βάση των πεντάλ.
- * Κατά τη διάρκεια του παιχνιδιού, ποτέ μην τοποθετείτε τα δάκτυλά σας επάνω ή οπουδήποτε κοντά στην μπροστινή βάση των πεντάλ.

ΠΟΤΕ



ΠΟΤΕ



ΠΟΤΕ



Προειδοποίηση – Κίνδυνος μαγκώματος στο σετ των πεντάλ όταν δεν παίζετε

- * Αποθηκεύστε το σετ των πεντάλ σε ασφαλές μέρος και διατηρήστε το μακριά από παιδιά.

ΕΝΗΜΕΡΩΣΗ ΤΟΥ ΥΛΙΚΟΛΟΓΙΣΜΙΚΟΥ ΤΗΣ ΤΙΜΟΝΙΕΡΑΣ ΣΑΣ

Είναι δυνατή η ενημέρωση του υλικολογισμικού που περιλαμβάνεται στη βάση της τιμονιέρας σας σε μια πιο πρόσφατη έκδοση με τις βελτιώσεις του προϊόντος.

Για να εμφανίσετε την έκδοση του υλικολογισμικού που διαθέτει προς το παρόν η τιμονιέρα σας και να την ενημερώσετε αν απαιτείται: σε υπολογιστή, συνδεθείτε στον ιστότοπο <http://ts.thrustmaster.com>. Στην ενότητα **Updates and Downloads**, κάντε κλικ στις επιλογές **PlayStation® / Wheels / T300 RS**, έπειτα επιλέξτε **Driver/Firmware** και ακολουθήστε τις οδηγίες που περιγράφουν τη διαδικασία λήψης και εγκατάστασης.

ΕΓΚΑΤΑΣΤΑΣΗ ΤΟΥ ΤΙΜΟΝΙΟΥ ΣΤΗ ΒΑΣΗ ΤΟΥ

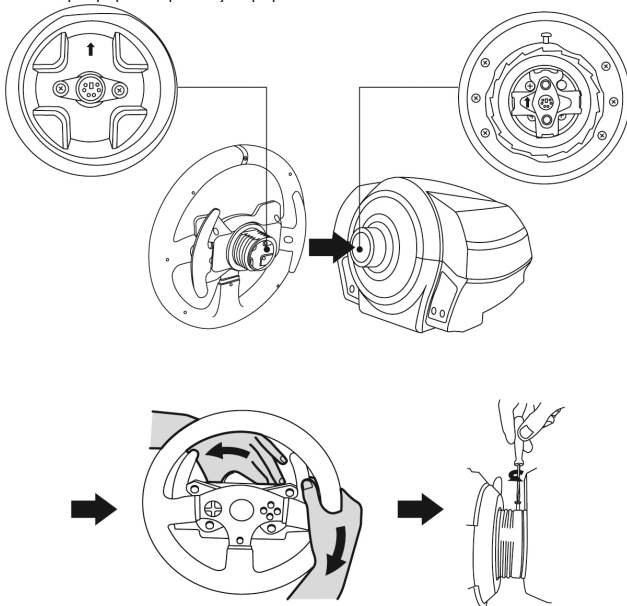
Ευθυγραμμίστε τις θέσεις των υποδοχών χρησιμοποιώντας τα βέλη:

Υποδοχή βάσης (1): Βέλος με κατεύθυνση προς τα πάνω

Υποδοχή τιμονιού (2): Βέλος με κατεύθυνση προς τα πάνω

Αφού τοποθετήσετε σωστά τις υποδοχές, απλώς περιστρέψτε τον δακτύλιο της συσκευής Thrustmaster Quick Release (12) αριστερόστροφα, ενώ κρατάτε το τιμόνι (2) στη θέση του.

Έπειτα, σφίξτε τον δακτύλιο όσο περισσότερο μπορείτε: για να το πετύχετε, κρατήστε τον δακτύλιο στη θέση του και περιστρέψτε το τιμόνι δεξιόστροφα.



Αφού εγκαταστήσετε το τιμόνι, περιστρέψτε το 180° (όταν κοιτάτε το τιμόνι, το λογότυπο PlayStation® θα πρέπει να είναι στραμμένο προς τα κάτω) για να αποκτήσετε πρόσβαση στη μικρή βίδα προσάρτησης που βρίσκεται στη συσκευή Thrustmaster Quick Release (12). Χρησιμοποιήστε ένα μεγάλο κατσαβίδι Phillips για να σφίξετε τη μικρή βίδα προσάρτησης (μην βάλετε υπερβολική δύναμη), περιστρέφοντάς την δεξιόστροφα.



Μην χρησιμοποιείτε υπερβολική δύναμη όταν σφίγγετε τη μικρή βίδα προσάρτησης (χρησιμοποιώντας κατσαβίδι Phillips)!

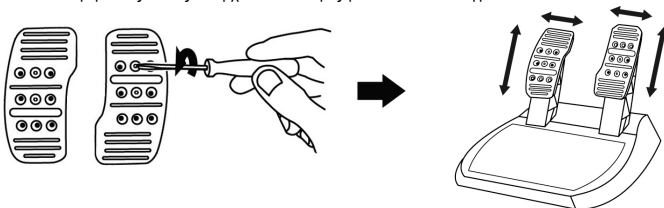
Σταματήστε να περιστρέφετε τη βίδα αμέσως μόλις νιώσετε κάποια αντίσταση.

ΡΥΘΜΙΣΗ ΥΨΟΥΣ ΚΑΙ ΑΠΟΣΤΑΣΗΣ ΤΩΝ ΠΕΝΤΑΛ

Με ένα κατασβίδι Phillips (δεν περιλαμβάνεται), αφαιρέστε τις 2 βίδες προσάρτησης που συγκρατούν τις κεφαλές των πεντάλ στους βραχίονες των πεντάλ.

Έπειτα, ρυθμίστε το ύψος και την απόσταση των κεφαλών των πεντάλ σύμφωνα με το στυλ οδήγησης που προτιμάτε:

- 6 διαφορετικές θέσεις υπάρχουν διαθέσιμες για το πεντάλ του γκαζιού.
- 6 διαφορετικές θέσεις υπάρχουν διαθέσιμες για το πεντάλ του φρένου.

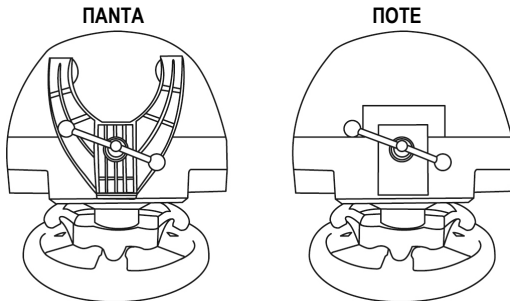


Αφού ρυθμίσετε το ύψος και την απόσταση, τοποθετήστε ξανά και ξανασφίξτε τις 2 βίδες προσάρτησης που συγκρατούν τις κεφαλές των πεντάλ στους βραχίονες των πεντάλ.

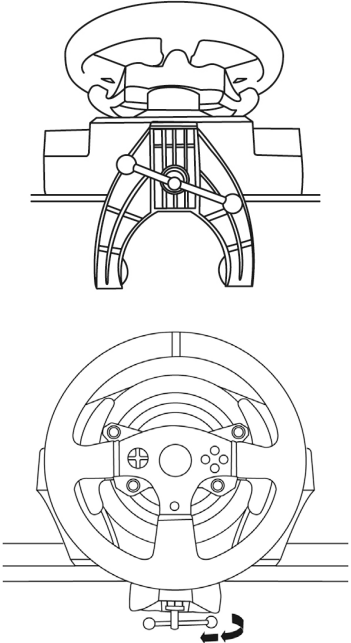
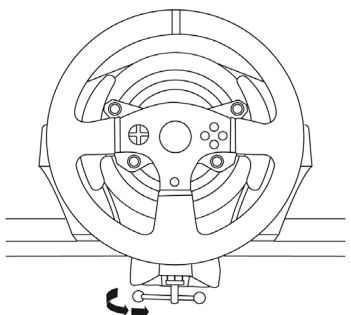
ΠΡΟΣΑΡΤΗΣΗ ΤΙΜΟΝΙΕΡΑΣ

Τοποθέτηση τιμονιέρας σε τραπέζι ή γραφείο

1. Τοποθετήστε την τιμονιέρα σε τραπέζι ή οποιαδήποτε άλλη οριζόντια, επίπεδη και σταθερή επιφάνεια.
2. Εισάγετε τη βίδα σύσφιξης (11) στο σύστημα προσάρτησης (10), μετά σφίξτε τη συσκευή στρέφοντας τη βίδα σύσφιξης αριστερόστροφα, ώστε να στερεωθεί στην οπή του μεγάλου σπειρώματος (9) κάτω από την τιμονιέρα, έως ότου το τιμόνι είναι εντελώς σταθερό.



ΠΡΟΕΙΔΟΠΟΙΗΣΗ: Μην σφίγγετε τη βίδα μόνη της, χωρίς να βρίσκεται το σύστημα προσάρτησης στη θέση του!
(Αυτό θα μπορούσε να προκαλέσει ζημιά στην τιμονιέρα).

ΠΡΟΣΑΡΤΗΣΗ/ΑΦΑΙΡΕΣΗ	ΚΑΤΕΥΘΥΝΣΗ
<p><u>Για να σφίξετε:</u></p> <p><i>Στρέψτε τη βίδα αριστερόστροφα</i></p>	
<p><u>Για ελευθέρωση:</u></p> <p><i>Στρέψτε τη βίδα δεξιόστροφα</i></p>	

Προσάρτηση της βάσης του τιμονιού σε θέση οδηγού

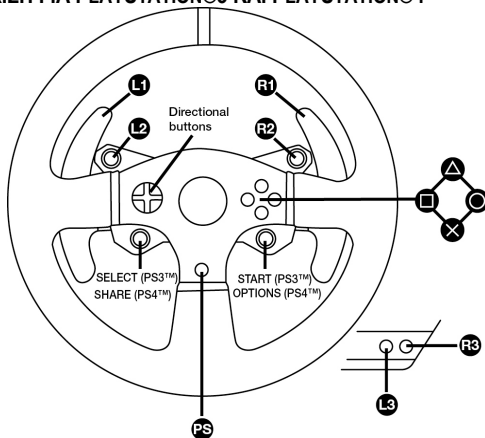
1. Τοποθετήστε τη βάση του τιμονιού στην προεξοχή της θέσης του οδηγού.
2. Καθοδηγήστε τις δύο βίδες M6 (δεν περιλαμβάνονται) μέσω της προεξοχής της θέσης του οδηγού, και στη συνέχεια, τοποθετήστε τις στις δύο μικρές οπές από τα σπειρώματα που βρίσκονται κάτω από το τιμόνι.
Σημαντικό: Το μήκος από τις δύο βίδες M6 δεν πρέπει να υπερβαίνει το πάχος της προεξοχής + 12 χιλιοστά. Οι μακρύτερες βίδες θα μπορούσαν να προκαλέσουν ζημιά στα εσωτερικά εξαρτήματα που βρίσκονται στη βάση του τιμονιού.
3. Αν απαιτείται, σφίξτε το βασικό σύστημα προσάρτησης τοποθετώντας τη βίδα σύσφιξης μέσα στην οπή του μεγάλου σπειρώματος.

Προσάρτηση του σετ των πεντάλ σε θέση οδηγού

1. Προσαρτήστε το σετ των πεντάλ χρησιμοποιώντας τις μικρές οπές από τα σπειρώματα που βρίσκονται από κάτω.
2. Καθοδηγήστε τις δύο βίδες M6 (δεν περιλαμβάνονται) μέσω της προεξοχής της θέσης του οδηγού, και στη συνέχεια, τοποθετήστε τις στις δύο μικρές οπές από τα σπειρώματα που βρίσκονται κάτω από το σετ των πεντάλ.
Σημαντικό: Το μήκος από τις δύο βίδες M6 δεν πρέπει να υπερβαίνει το πάχος της προεξοχής + 10 χιλιοστά. Οι μακρύτερες βίδες θα μπορούσαν να προκαλέσουν ζημιά στα εσωτερικά εξαρτήματα που βρίσκονται μέσα στο σετ των πεντάλ.

Τα διαγράμματα για τις θέσεις του οδηγού (για τοποθέτηση της βάσης της τιμονιέρας και/ή του σετ των πεντάλ) υπάρχουν διαθέσιμα στον ιστότοπο <http://ts.thrustmaster.com>: στην ενότητα **Updates and Downloads**, κάντε κλικ στις επιλογές **PlayStation® / Wheels / T300 RS**, έπειτα επιλέξτε **Manual/Help file**.

ΑΝΤΙΣΤΟΙΧΙΣΗ ΓΙΑ PLAYSTATION®3 ΚΑΙ PLAYSTATION®4



ΡΥΘΜΙΣΗ ΤΗΣ ΤΙΜΟΝΙΕΡΑΣ ΓΙΑ PLAYSTATION®3 Ή PLAYSTATION®4

1. Συνδέστε το σεντ των πεντάλ στην υποδοχή (17) που βρίσκεται στο πίσω μέρος της βάσης της τιμονιέρας.
2. Συνδέστε το καλώδιο τροφοδοσίας στην υποδοχή (14) που βρίσκεται στο πίσω μέρος της βάσης της τιμονιέρας.
3. Συνδέστε το καλώδιο τροφοδοσίας σε μια πρίζα με τις ίδιες προδιαγραφές τάσης.



Για περισσότερες σχετικές πληροφορίες, ανατρέξτε στην ενότητα ΣΥΝΔΕΣΗ ΤΗΣ ΤΙΜΟΝΙΕΡΑΣ ΣΤΟ ΡΕΥΜΑ, στη σελίδα 3 στο παρόν εγχειρίδιο.

4. Ρυθμίστε τον διακόπτη επιλογέα USB (5) στη βάση της τιμονιέρας είτε στη θέση PS3™ είτε στη θέση PS4™, ανάλογα με την κονσόλα ή το παιχνίδι που χρησιμοποιείτε.
5. Συνδέστε την υποδοχή USB της τιμονιέρας (15) σε μία από τις θύρες USB της κονσόλας.
6. Αφού ενεργοποιήσετε την κονσόλα σας, η τιμονιέρα σας θα βαθμονομηθεί αυτόματα.
7. Στο PlayStation®4 (όταν ο διακόπτης επιλογέα USB έχει ρυθμιστεί στη θέση PS4™): πατήστε το κουμπί PS της τιμονιέρας (8) και συνδεθείτε στο δικό σας προφίλ παίκτη Sony Entertainment Network για να μπορέσετε να χρησιμοποιήσετε το τιμόνι.

Τώρα είστε έτοιμοι για παιχνίδι!

Σημαντικές σημειώσεις:

- Ο διακόπτης επιλογέα USB (5) που βρίσκεται στη βάση της τιμονιέρας πρέπει να είναι πάντα ρυθμισμένος στην κατάλληλη θέση (PS3™ ή PS4™) πριν το καλώδιο USB του τιμονιού συνδεθεί στην κονσόλα. Για να αλλάξετε τη θέση του διακόπτη επιλογέα, αποσυνδέστε το καλώδιο USB από την κονσόλα και, έπειτα, αλλάξτε τη θέση του διακόπτη πριν συνδέσετε ξανά το καλώδιο USB στην κονσόλα.
- Στο PlayStation®3, ο διακόπτης επιλογέα USB (5) πρέπει να είναι πάντα ρυθμισμένος στη θέση PS3™:
 - * Το τιμόνι αναγνωρίζεται από τα περισσότερα παιχνίδια ως τιμόνι T500RS.
 - * Το τιμόνι είναι λειτουργικό σε συμβατά παιχνίδια και σε μενού από κονσόλες.
 - * Η λειτουργία «PS» είναι λειτουργική στο τιμόνι.
- Στο PlayStation®4, με τον διακόπτη επιλογέα USB (5) να έχει ρυθμιστεί στη θέση PS3™:
 - * Το τιμόνι αναγνωρίζεται από τα περισσότερα παιχνίδια ως τιμόνι T500RS.
 - * Το τιμόνι είναι λειτουργικό σε συμβατά παιχνίδια αλλά όχι σε μενού από κονσόλες.
 - * Οι λειτουργίες «SHARE» και «PS» δεν είναι λειτουργικές στο τιμόνι.
- Στο PlayStation®4, με τον διακόπτη επιλογέα USB (5) να έχει ρυθμιστεί στη θέση PS4™:
 - * Μην ξεχνάτε να πατήσετε το κουμπί PS της τιμονιέρας (8) για να μπορέσετε να χρησιμοποιήσετε το τιμόνι.
 - * Το τιμόνι αναγνωρίζεται από τα περισσότερα παιχνίδια ως τιμόνι T300 RS.
 - * Το τιμόνι είναι λειτουργικό σε συμβατά παιχνίδια και σε μενού από κονσόλες.
 - * Οι λειτουργίες «SHARE» και «PS» είναι λειτουργικές στο τιμόνι.
- Η λίστα με συμβατά παιχνίδια του PlayStation®3 και του PlayStation®4 με το τιμόνι T300 RS (μαζί με την απαιτούμενη θέση του διακόπτη επιλογέα USB (5) ανάλογα με το παιχνίδι που παίζετε) υπάρχει διαθέσιμη στον ιστότοπο:

<http://its.thrustmaster.com> (στην ενότητα Updates and Downloads, κάντε κλικ στις επιλογές PlayStation® / Wheels / T300 RS).

Αυτή η λίστα ανανεώνεται τακτικά.

ΡΥΘΜΙΣΗ ΤΗΣ ΤΙΜΟΝΙΕΡΑΣ ΓΙΑ PC

Σημαντική σημείωση:

Σε PC, ο διακόπτης επιλογή USB (5) στη βάση της τιμονιέρας πρέπει να είναι πάντα ρυθμισμένος στη θέση PS3™.

1. Μεταβείτε στη διεύθυνση <http://ts.thrustmaster.com> για λήψη των οδηγιών και του λογισμικού Force Feedback για PC. Στην ενότητα Updates and downloads (Ενημερώσεις και Λήψεις), κάντε κλικ στις επιλογές PC/Wheels (Τιμόνια)/T300 RS, έπειτα επιλέξτε Drivers (Οδηγοί).

2. Μετά την ολοκλήρωση της λήψης, εκκινήστε την εγκατάσταση και ακολουθήστε τις οδηγίες στην οθόνη για να συνδέσετε την υποδοχή USB του τιμονιού στον υπολογιστή σας και να ολοκληρώσετε την εγκατάσταση.

3. Μόλις η εγκατάσταση ολοκληρωθεί, κάντε κλικ στο κουμπί Finish (Τέλος) και επανεκκινήστε τον υπολογιστή σας.

4. Επιλέξτε Start (Εναρξη)/All Programs (Όλα τα προγράμματα)/Thrustmaster/FFB Racing Wheel (Τιμονιέρα FFB)/Control Panel (Πίνακας ελέγχου).

Το παράθυρο διαλόγου για τους Ελεγκτές παιχνιδιού εμφανίζει το όνομα της τιμονιέρας T300 RS Racing Wheel με την ένδειξη OK.

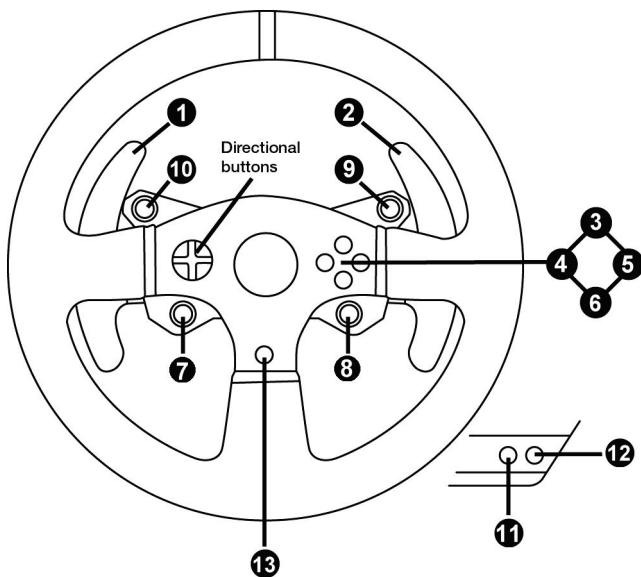
5. Κάντε κλικ στην επιλογή Properties (ιδιότητες) για να διαμορφώσετε το τιμόνι σας στον πίνακα ελέγχου T300 RS:

- Καρτέλα Εισαγωγής δοκιμής: επιτρέπει να δοκιμάσετε και να δείτε όλα τα κουμπιά δράσης, τα κουμπιά κατεύθυνσης, τους άξονες του τιμονιού και των πεντάλ, καθώς και να ρυθμίσετε τη γωνία περιστροφής του τιμονιού στα παιχνίδια που παίζετε στον υπολογιστή σας.
- Καρτέλα Δοκιμή δυνάμεων: επιτρέπει να δοκιμάσετε 12 εφέ λειτουργίας force feedback.
- Καρτέλα Ρυθμίσεις ενίσχυσης: επιτρέπει να ρυθμίσετε την ισχύ των εφέ της λειτουργίας force feedback στα παιχνίδια που παίζετε στον υπολογιστή σας.

Τώρα είστε έτοιμοι για παιχνίδι!

Γενικές σημειώσεις:

- Σε PC, πατήστε το OK για να κλείσετε το παράθυρο για τους Ελεγκτές παιχνιδιού πριν ξεκινήσετε το παιχνίδι σας.
- Σε PC, οι ρυθμίσεις που εκτελούνται στο παράθυρο για τους Ελεγκτές παιχνιδιού θα αποθηκευτούν μόνο στον υπολογιστή σας (επομένως, δεν θα έχουν ισχύ στο PlayStation®3 ή το PlayStation®4).
- Η έκδοση του υλικολογισμικού του τιμονιού σας εμφανίζεται στην επάνω δεξιά γωνία στις καρτέλες του πίνακα ελέγχου T300 RS.



ΑΥΤΟΜΑΤΗ ΒΑΘΜΟΝΟΜΗΣΗ ΤΙΜΟΝΙΟΥ ΚΑΙ ΣΕΤ ΠΕΝΤΑΛ

Η βαθμονόμηση της τιμονιέρας πραγματοποιείται αυτόματα όταν συνδέετε την τιμονιέρα στο ρεύμα και την υποδοχή USB της τιμονιέρας στην κονσόλα.

Στη διάρκεια αυτής της φάσης, το τιμόνι θα περιστρέφεται γρήγορα προς αριστερά και δεξιά, καλύπτοντας μια γωνία 900, προτού σταματήσει στο κέντρο.



ΠΡΟΕΙΔΟΠΟΙΗΣΗ:

Ποτέ μην αγγίζετε το τιμόνι κατά τη διάρκεια της φάσης της αυτόματης βαθμονόμησης!
(Μια τέτοια ενέργεια θα μπορούσε να προκαλέσει λανθασμένη βαθμονόμηση και/ή τραυματισμούς).

ΑΥΤΟΜΑΤΗ ΒΑΘΜΟΝΟΜΗΣΗ ΤΙΜΟΝΙΟΥ ΚΑΙ ΠΕΝΤΑΛ

Ποτέ μην συνδέετε το σετ των πεντάλ στη βάση της τιμονιέρας (ή το αποσυνδέετε από τη βάση) όταν είναι συνδεδεμένο στην κονσόλα ή κατά τη διάρκεια του παιχνιδιού (αυτό θα μπορούσε να προκαλέσει λανθασμένη βαθμονόμηση).

Πάντα συνδέετε το σετ των πεντάλ πριν συνδέετε το τιμόνι στην κονσόλα.

Μόλις ολοκληρωθεί η βαθμονόμηση της τιμονιέρας και το παιχνίδι ξεκινήσει, η βαθμονόμηση των πεντάλ θα πραγματοποιηθεί αυτόματα μετά από μερικά πατήματα.



ΠΡΟΕΙΔΟΠΟΙΗΣΗ:

Ποτέ μην πατάτε τα πεντάλ κατά την εκκίνηση της τιμονιέρας κατά τη φάση της αυτόματης βαθμονόμησης ή κατά τη φόρτωση του παιχνιδιού!
(Αυτό θα μπορούσε να προκαλέσει λανθασμένη βαθμονόμηση)

Αν το τιμόνι και/ή το σετ των πεντάλ δεν λειτουργούν σωστά ή αν η βαθμονόμηση φαίνεται να είναι λανθασμένη:

Απενεργοποιήστε την κονσόλα σας και αποσυνδέστε εντελώς την τιμονιέρα. Έπειτα, επανασυνδέστε όλα τα καλώδια (μαζί με το καλώδιο παροχής ρεύματος και το σετ των πεντάλ) και επανεκκινήστε την κονσόλα και το παιχνίδι σας.

ΑΙΣΘΗΤΗΡΑΣ ΕΣΩΤΕΡΙΚΗΣ ΘΕΡΜΟΚΡΑΣΙΑΣ

Το σύστημα ψύξης της τιμονιέρας αποτελείται από μια ψύκτρα και έναν ανεμιστήρα.

- Ένας θερμοστάτης παρακολουθεί την εσωτερική θερμοκρασία της τιμονιέρας.
- Όταν χρησιμοποιείτε την τιμονιέρα σε ένα παιχνίδι:
 - Ο ανεμιστήρας ψύξης αρχίζει να λειτουργεί όταν η τιμονιέρα φτάσει σε μια συγκεκριμένη θερμοκρασία (μετά από μερικά λεπτά παιχνιδιού, ανάλογα με τη δύναμη των εφέ της λειτουργίας Force Feedback που χρησιμοποιούνται).
 - Η ισχύς των εφέ της λειτουργίας Force Feedback μειώνεται αυτόματα αμέσως μόλις το τιμόνι αγγίξει ένα αρκετά υψηλότερο επίπεδο θερμοκρασίας (για να προστατευθεί ο κινητήρας). Η ισχύς αυτών των εφέ αυξάνεται αυτόματα αμέσως μόλις η θερμοκρασία μειωθεί ελαφρώς.
- Όταν σταματήσετε το παιχνίδι: λόγω της θερμικής αδράνειας, ο ανεμιστήρας ψύξης συνεχίζει να λειτουργεί μέχρι η θερμοκρασία να πέσει στο επίπεδο που βρισκόταν όταν ο ανεμιστήρας άρχισε να λειτουργεί. Η τιμονιέρα σας έχει σχεδιαστεί με αυτόν τον τρόπο για να διευκολύνεται η ψύξη και να προστατεύεται ο κινητήρας (αυτή η ενέργεια χρειάζεται 5 έως 45 λεπτά, ανάλογα με τη θερμοκρασία που έχει φτάσει όταν η τιμονιέρα χρησιμοποιείται σε κάποιο παιχνίδι).

ΚΟΥΜΠΙ MODE ΚΑΙ ΛΥΧΝΙΑ ΕΝΔΕΙΞΗΣ (6)

Κουμπί MODE για το σετ των πεντάλ

Το σετ των πεντάλ που περιλαμβάνεται στην τιμονιέρα T300 RS διαθέτει 2 πεντάλ.

Όταν χρησιμοποιείτε αυτό το σετ των πεντάλ, βεβαιωθείτε ότι η λυχνία ένδειξης παραμένει αναμμένη με κόκκινο χρώμα, διαφορετικά το πεντάλ του γκαζιού δεν θα λειτουργεί σωστά.

Η τιμονιέρα T300 RS είναι επίσης συμβατή με το σετ των πεντάλ της Thrustmaster που διαθέτει 3 πεντάλ (πωλούνται ξεχωριστά). Αυτά σας παρέχουν τη δυνατότητα να πραγματοποιείτε ηλεκτρονική εναλλαγή στο πεντάλ του γκαζιού και του συμπλέκτη.

Για να το κάνετε αυτό, απλώς πατήστε το κουμπί MODE (6) για 2 δευτερόλεπτα.

Στην εσωτερική μνήμη της τιμονιέρας αποθηκεύεται εάν έχει πραγματοποιηθεί ή όχι εναλλαγή των πεντάλ.

ΠΕΝΤΑΛ ΓΚΑΖΙΟΥ ΚΑΙ ΣΥΜΠΛΕΚΤΗ	Χρώμα της λυχνίας ένδειξης του κουμπιού MODE (6)
ΚΑΝΟΝΙΚΑ	ΚΟΚΚΙΝΟ ΧΡΩΜΑ
ΕΝΑΛΛΑΓΗ	ΠΡΑΣΙΝΟ ΧΡΩΜΑ

Άλλες συμβουλές για το κουμπί MODE

Για να μάθετε περισσότερα σχετικά με το κουμπί MODE και τη λυχνία ένδειξης, επισκεφθείτε τον ιστότοπο <http://ts.thrustmaster.com>. Στην ενότητα **Updates and Downloads**, κάντε κλικ στις επιλογές **PlayStation® / Wheels / T300 RS**, έπειτα επιλέξτε **Manual/Help file**.

ΣΥΜΒΑΤΟΤΗΤΑ ΜΕ ΤΟ ΟΙΚΟΣΥΣΤΗΜΑ ΠΡΟΪΟΝΤΩΝ ΤΗΣ THRUSTMASTER

Η βάση της τιμονιέρας T300 RS είναι συμβατή με τα εξής προϊόντα:

- Τα παρακάτω αποσπώμενα τιμόνια της Thrustmaster: «Ferrari F1 Wheel Add-on*», «Ferrari GTE Wheel Add-on*», «T300 RS PS Wheel», «T500RS GT Wheel*».
- Το κιτ «Base Fixed Paddle Shifters*», με το οποίο μπορείτε να εγκαταστήσετε στη βάση σταθερούς μοχλούς αλλαγής ταχυτήτων.
- Τα παρακάτω σετ πεντάλ της Thrustmaster: «T3PA*» (Thrustmaster 3 Pedals Add-on) και το σετ των πεντάλ της τιμονιέρας T500RS.
- Τους παρακάτω μοχλούς αλλαγής ταχυτήτων της Thrustmaster (κιβώτια ταχυτήτων): «TH8A*» και «TH8RS*».

* Πωλούνται χωριστά (για περισσότερες πληροφορίες, επισκεφθείτε τον ιστότοπο <http://www.thrustmaster.com/products/t300rs>).

ΑΡΧΕΙΑ ΒΟΗΘΕΙΑΣ ΚΑΙ ΣΥΧΝΕΣ ΕΡΩΤΗΣΕΙΣ (ΔΕΝ ΠΕΡΙΛΑΜΒΑΝΟΝΤΑΙ ΣΕ ΑΥΤΟ ΤΟ ΕΓΧΕΙΡΙΔΙΟ)

Επισκεφθείτε τον ιστότοπο <http://ts.thrustmaster.com>, και στην ενότητα **Updates and Downloads**, κάντε κλικ στις επιλογές **PlayStation® / Wheels / T300 RS**, έπειτα επιλέξτε **Manual/Help file**.

ΤΕΧΝΙΚΗ ΥΠΟΣΤΗΡΙΞΗ

Αν αντιμετωπίσετε πρόβλημα με το προϊόν σας, μεταβείτε στον ιστότοπο <http://ts.thrustmaster.com> και κάντε κλικ στην επιλογή **Technical Support**. Από εκεί μπορείτε να δείτε διάφορες χρήσιμες πληροφορίες (Συχνές ερωτήσεις, τις τελευταίες εκδόσεις οδηγιών και λογισμικού) που ενδέχεται να σας βοηθήσουν να λύσετε το πρόβλημα που αντιμετωπίζετε. Αν το πρόβλημα παραμένει, μπορείτε να επικοινωνήσετε με την υπηρεσία τεχνικής υποστήριξης των προϊόντων της Thrustmaster ("Technical Support"):

Με email:

Για να επωφεληθείτε τη δυνατότητα τεχνικής υποστήριξης μέσω email, πρέπει πρώτα να εγγραφείτε online. Οι πληροφορίες που παρέχετε θα βοηθήσουν τους αντιπροσώπους να επιλύσουν το πρόβλημά σας γρηγορότερα. Κάντε κλικ στην επιλογή **Registration** στα αριστερά της σελίδας της Technical Support και ακολουθήστε τις οδηγίες που εμφανίζονται στην οθόνη. Αν έχετε ήδη εγγραφεί, συμπληρώστε τα πεδία **Username** και **Password** και στη συνέχεια, κάντε κλικ στην επιλογή **Login**.

Πληροφορίες εγγύησης καταναλωτή

Παγκοσμίως, η Guillemot Corporation S.A. (εφεξής "Guillemot") εγγυάται στον καταναλωτή ότι το προϊόν της Thrustmaster δεν παρουσιάζει ελάττωμα στο υλικό ούτε κατασκευαστικές ατέλειες για το χρονικό διάστημα της εγγύησης, το οποίο αντιστοιχεί στο χρονικό όριο για άσκηση αγωγής για συμμόρφωση αναφορικά με αυτό το προϊόν. Στις χώρες της Ε.Ε., αυτό αντιστοιχεί σε διάστημα δύο (2) ετών από την παράδοση του προϊόντος της Thrustmaster. Σε άλλες χώρες, η περίοδος εγγύησης αντιστοιχεί στο χρονικό όριο για άσκηση αγωγής για συμμόρφωση αναφορικά με το προϊόν της Thrustmaster σύμφωνα με την ισχύουσα νομοθεσία της χώρας στην οποία ο καταναλωτής διέμενε κατά την ημερομηνία αγοράς του προϊόντος της Thrustmaster (σε περίπτωση που δεν υπάρχει τέτοια ενέργεια στην αντίστοιχη χώρα, τότε η εγγύηση θα ισχύει για ένα (1) έτος από την αρχική ημερομηνία αγοράς του προϊόντος της Thrustmaster). Κατά παρέκκλιση των παραπάνω, οι επαναφορτιζόμενες μπαταρίες καλύπτονται από περίοδο εγγύησης έξι (6) μηνών από ημερομηνία της αρχικής αγοράς.

Σε περίπτωση που το προϊόν σας φαίνεται να είναι ελαττωματικό κατά την περίοδο της εγγύησης, επικοινωνήστε αμέσως με την Τεχνική υποστήριξη, η οποία θα υποδείξει την διαδικασία που θα ακολουθήσετε. Αν το ελάττωμα επιβεβαιωθεί, το προϊόν πρέπει να επιστραφεί στο σημείο αγοράς του (ή σε οποιοδήποτε άλλο σημείο υποδεικνύει η Τεχνική υποστήριξη).

Στα πλαίσια της εγγύησης, το ελαττωματικό προϊόν του καταναλωτή, με επιλογή της Τεχνικής υποστήριξης, είτε θα επισκευαστεί είτε θα αντικατασταθεί. Αν επιτρέπεται από την ισχύουσα νομοθεσία, η πλήρης ευθύνη της Guillemot και των θυγατρικών της (περιλαμβάνονται οι επακόλουθες ζημιές) περιορίζεται στην επισκευή ή αντικατάσταση του προϊόντος της Thrustmaster. Αν επιτρέπεται από την ισχύουσα νομοθεσία, η Guillemot αποποιείται κάθε εγγύηση εμπορευσιμότητας ή καταλληλότητας για τον συγκεκριμένο σκοπό. Τα νομικά δικαιώματα του καταναλωτή σε σχέση με την ισχύουσα νομοθεσία όσον αφορά την πώληση των καταναλωτικών ειδών δεν επηρεάζονται από την παρούσα εγγύηση.

Η παρούσα εγγύηση δεν ισχύει: (1) αν το προϊόν έχει τροποποιηθεί, ανοιχτεί, μεταποιηθεί ή υποστεί βλάβη ως αποτέλεσμα ακατάλληλης ή κακής χρήσης, αμέλειας, ατυχήματος, φυσιολογικής φθοράς ή οποιασδήποτε άλλης αιτίας που δεν σχετίζεται με ελάττωμα στο υλικό ή κατασκευαστικό ελάττωμα (συμπεριλαμβανομένων, ενδεικτικά, συνδυάζοντας τα προϊόν της Thrustmaster με οποιοδήποτε ακατάλληλο στοιχείο, συμπεριλαμβανομένων συγκεκριμένων παροχών ρεύματος, επαναφορτιζόμενων μπαταριών, φορτιστών ή άλλων στοιχείων που δεν παρέχονται από τη Guillemot για αυτό το προϊόν), (2) σε περίπτωση μη συμμόρφωσης με τις οδηγίες που παρέχονται από την Τεχνική υποστήριξη, (3) για λογισμικό, το εν λόγω λογισμικό υπόκειται σε συγκεκριμένη εγγύηση, (4) για αναλώσιμα (στοιχεία που πρόκειται να αντικατασταθούν από τη διάρκεια ζωής του προϊόντος: για παράδειγμα, μπαταρίες μίας χρήσης, καλύμματα αυτιών για σειτ ακουστικών ή ακουστικά), (5) για αξεσουάρ (για παράδειγμα, καλώδια, περιβλήματα, θήκες, τσάντες, λουράκια καρπού), (6) αν το προϊόν πωληθεί σε δημοπρασία. Η παρούσα εγγύηση δεν μεταβιβάζεται.

Ευθύνη

Αν επιτρέπεται από την ισχύουσα νομοθεσία, η Guillemot Corporation S.A. (εφεξής "Guillemot") και οι θυγατρικές της αποποιούνται κάθε ευθύνης για οποιαδήποτε ζημιά προκαλείται από ένα ή περισσότερα από τα ακόλουθα: (1) το προϊόν έχει τροποποιηθεί, ανοιχτεί ή μεταποιηθεί, (2) ατυχία ως προς τη συμμόρφωση με τις οδηγίες συναρμολόγησης, (3) ακατάλληλη ή κακή χρήση, αμέλεια, ατύχημα (για παράδειγμα, πρόσκρουση), (4) φυσιολογική φθορά. Αν επιτρέπεται από την ισχύουσα νομοθεσία, η Guillemot και οι θυγατρικές της αποποιούνται κάθε ευθύνης για οποιαδήποτε ζημιά δεν σχετίζεται με λάθος στο υλικό ή την κατασκευή αναφορά με το προϊόν (συμπεριλαμβανόμενα, ενδεικτικά, οποιαδήποτε ζημιά προκαλείται άμεσα ή έμμεσα από οποιοδήποτε λογισμικό ή από συνδυασμό του προϊόντος της Thrustmaster με κάθε ακατάλληλο στοιχείο, συμπεριλαμβανομένων συγκεκριμένων παροχών ρεύματος, επαναφορτιζόμενων μπαταριών, φορτιστών ή άλλων στοιχείων που δεν παρέχονται από την Guillemot για αυτό το προϊόν).

ENGLISH

FRANÇAIS

DEUTSCH

NERLANDS

ITALIANO

ESPAÑOL

PORTUGUÊS

РУССКИЙ

ΕΛΛΗΝΙΚΑ

TÜRKÇE

POLSKI

ΠΝΕΥΜΑΤΙΚΑ ΔΙΚΑΙΩΜΑΤΑ

© 2014 Guillemot Corporation S.A. Με την επιφύλαξη παντός δικαιώματος. Η ονομασία Thrustmaster® είναι εμπορικό σήμα κατατεθέν της Guillemot Corporation S.A. Τα λογότυπα «P», «PlayStation», «PS3» και «ΔΟΧΩ» είναι εμπορικά σήματα της Sony Computer Entertainment, Inc. Το λογότυπο «PS4» είναι εμπορικό σήμα κατατεθέν της ίδιας εταιρείας. Όλα τα υπόλοιπα εμπορικά σήματα αποτελούν ιδιοκτησία των αντίστοιχων κατόχων τους. Οι εικόνες δεν είναι δεσμευτικές. Τα περιεχόμενα, τα σχέδια και οι προδιαγραφές υπόκεινται σε αλλαγές χωρίς προειδοποίηση και μπορεί να διαφέρουν από χώρα σε χώρα. Κατασκευάζεται στην Κίνα.

Η τεχνολογία TouchSense® παρέχεται με άδεια χρήσης από την Immersion Corporation. Προστατεύεται από μία ή περισσότερες πατέντες στις ΗΠΑ που υπάρχει στην παρακάτω διεύθυνση: www.immersion.com/patent-marking.html, και άλλες πατέντες που εκκρεμούν.

ΣΥΣΤΑΣΗ ΠΡΟΣΤΑΣΙΑΣ ΠΕΡΙΒΑΛΛΟΝΤΟΣ



Στην Ευρωπαϊκή Ένωση: Στο τέλος της ωφέλιμης διάρκειας ζωής, το παρόν προϊόν δεν πρέπει να απορρίπτεται με τα τυπικά οικιακά απορρίμματα, αλλά να απορρίπτεται σε σημείο συλλογής απόρριψης ηλεκτρικού και ηλεκτρονικού εξοπλισμού για ανακύκλωση.

Το παρόν επιβεβαιώνεται με το σύμβολο που υπάρχει στο προϊόν, στο εγχειρίδιο χρήσης ή στη συσκευασία.

Ανάλογα με τα χαρακτηριστικά τους, τα υλικά μπορούν να ανακυκλωθούν. Μέσω της ανακύκλωσης και άλλων μορφών επεξεργασίας απόρριψης ηλεκτρικού και ηλεκτρονικού εξοπλισμού, μπορείτε να συμβάλετε σημαντικά

στην προστασία του περιβάλλοντος. Επικοινωνήστε με τις τοπικές αρχές για το πλησιέστερο σε εσάς σημείο συλλογής.

Για όλες τις υπόλοιπες χώρες: Να τηρείτε τους τοπικούς νόμους περί ανακύκλωσης του ηλεκτρικού και ηλεκτρονικού εξοπλισμού.

Κρατήστε αυτές τις πληροφορίες. Τα χρώματα και τα διακοσμητικά ενδέχεται να ποικίλουν.

Τα πλαστικά εξαρτήματα σύνδεσης και τα αυτοκόλλητα υλικά πρέπει να αφαιρούνται από το προϊόν πριν τη χρήση του.

www.thrustmaster.com

*Ισχύει μόνο σε ΕΕ και Τουρκία



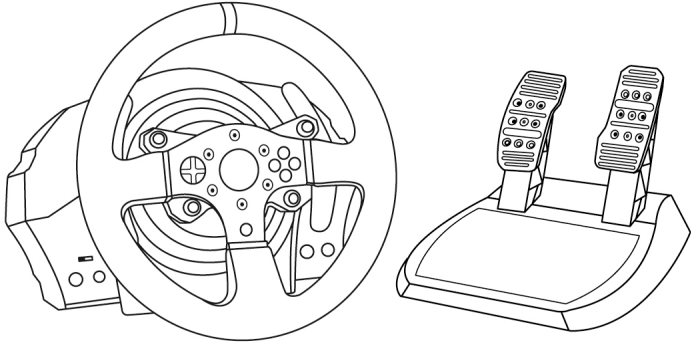
immersion.



T300RS

PLAYSTATION®3 – PLAYSTATION®4 İÇİN

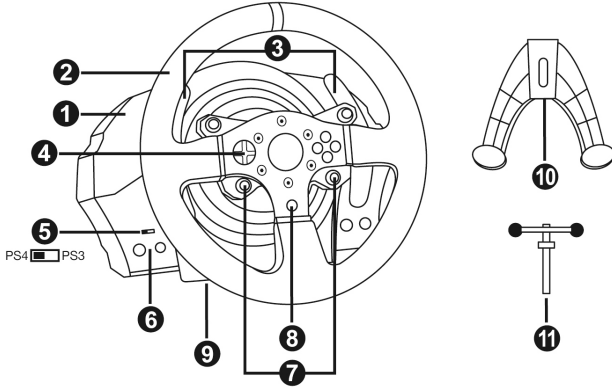
Kullanma Kılavuzu



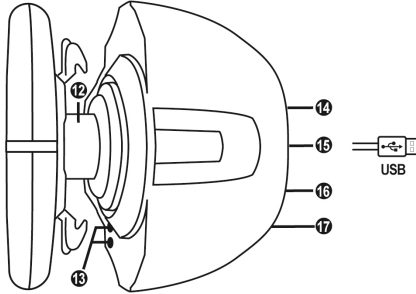
UYARI:

T300 RS Yarış Direksiyonunuzun PlayStation®3 veya PlayStation®4 oyunları ile düzgün çalışmasını sağlamak için, oyunların otomatik güncellemelerini yüklemeniz gerekebilir (oyun konsolunuz İnternete bağlıyken yapılabilir).

TEKNİK ÖZELLİKLER



- 1 T300 RS tabanı
- 2 PS direksiyon
- 3 2 direksiyondan kumandalı sıralı vites (Up ve Down)
- 4 Çok yönlü D-Ped
- 5 PS4™ veya PS3™ USB seçim düğmesi
- 6 MODE düğmesi + kırmızı/yeşil gösterge lambası
- 7 PS3™'de SELECT/START düğmeleri ve PS4™'te SHARE/OPTIONS düğmeleri
- 8 PS düğmesi
- 9 Büyük dişli delik (montaj sistemi ve sabitleme vidası için)
- 10 Montaj sistemi
- 11 Metal bağlantı vidası



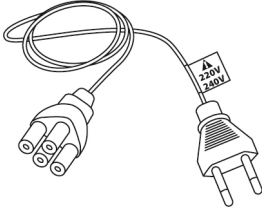
- 12 Thrustmaster Quick Release
- 13 L3/R3 düğmeleri
- 14 Güç kaynağı konektörü (tip A veya B) (ülkeden ülkeye farklılık gösterir)
- 15 Yarış direksiyonu USB kablosu ve konektörü
- 16 Vites (vites kutusu) konektörü (ayrı olarak satılır)
- 17 Pedal seti konektörü

YARIŞ DİREKSİYONUNUN ELEKTRİK PRİZİNE TAKILMASI: LÜTFEN DEVAM ETMEDEN ÖNCE OKUYUN!

Yarış direksiyonunuzun güç beslemesi cihazınızı aldığınız ülkeye göre değişir. Güç kaynağı şunlardan biri olabilir:

Dahili:

- * Doğrudan yarış direksiyonu tabanının içine yerleştirilmiş, tip A konektörlü güç besleme birimi.
- * 220-240 V elektrik kablosu.
- = sadece 220-240 V elektrik şebekesi ile uyumlu.

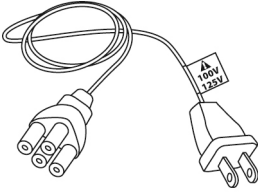


220-240 V elektrik kablosunu asla 100-130 V prize bağlamayın!!!
Bu kabloyu asla bir güç adaptörüne bağlamayın!!!

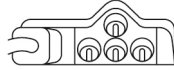


Dahili:

- * Doğrudan yarış direksiyonu tabanının içine yerleştirilmiş, tip A konektörlü güç besleme birimi.
- * 100-125 V elektrik kablosu.
- = sadece 100-125 V elektrik şebekesi ile uyumlu.



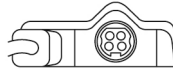
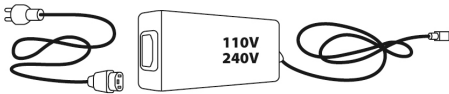
100-125 V elektrik kablosunu asla 220-240 V prize bağlamayın!!!
Bu kabloyu asla bir güç adaptörüne bağlamayın!!!



ÖNEMLİ: Yarış direksiyonunuzu kullandığınız bölgede hangi voltajın kullanıldığını bilmiyorsanız lütfen yerel elektrik dağıtım şirketinize başvurun.

Harici:

- * Tip B konektörlü harici güç besleme birimi.
- * Elektrik kablosu
- = 110-240V arasındaki tüm elektrik voltajları ile uyumlu.



UYARILAR

Bu ürünü kullanmadan önce lütfen bu kılavuzu dikkatlice okuyun ve daha sonra başvurma ihtiyacı duymanız halinde kullanmak üzere güvenli bir yerde saklayın.



Uyarı - Elektrik çarpması

- * Ürünü kuru bir yerde saklayın ve toza veya güneş ışığına maruz bırakmayın.
- * Konektörleri ve kabloları bükmeyin ve çekmeyin.
- * Ürünün veya konektörlerinin üzerine herhangi bir sıvı dökmeyin.
- * Ürünü kısa devre yapmayın.
- * Ürünü asla parçalarına ayırmayın, ateşe atmayın ve yüksek sıcaklıklara maruz bırakmayın.
- * Yarış direksiyonunuzla verilen elektrik kablosunun dışında elektrik kablosu kullanmayın.
- * Kablo veya fişi hasarlı, yarık veya kırıkta elektrik kablosunu kullanmayın.
- * Elektrik kablosunun prize ve yarış direksiyonu tabanının arka kısmında bulunan konektöre düzgün bir şekilde takıldığından emin olun.
- * Yarış direksiyonunun içini açmayın: İçinde kullanıcı tarafından bakım/onarım yapılabilecek parça yoktur. Tüm onarım işlemleri üretici firma, yetkili temsilcisi veya kalifiye teknisyen tarafından yapılmalıdır.
- * Sadece üretici tarafından belirtilmiş olan montaj sistemlerini/aksesuarları kullanın.
- * Yarış direksiyonu beklenmeyen şekilde çalışıyorsa (anormal sesler, ısı veya koku yayıyorsa) direksiyonu kullanmayı derhal kesin, elektrik kablosunu prizden çekin ve diğer kabloları ayırın.
- * Yarış direksiyonunu uzun süre kullanmayacaksınız elektrik kablosunu duvar prizinden çekin.



Havalandırma delikleri

Yarış direksiyonunun tabanı üzerindeki hiçbir havalandırma deliğini bloke etmediğinizden emin olun. Optimum havalandırma için aşağıdaki noktalara dikkat edin:

- * Direksiyon tabanını tüm duvar yüzeylerinden en az 10 cm uzağa yerleştirin.
- * Tabanı dar yerlere yerleştirmeyin.
- * Tabanı örtmeyin.
- * Havalandırma deliklerinin üzerinde toz birikmesine izin vermeyin.



Güvenlik nedeniyle pedal setini asla çıplak ayaklarla veya ayağınıza sadece çorap giyerek oynamayın.
THRUSTMASTER® PEDAL SETİNİN AYAKKABISIZ KULLANILMASINDAN KAYNAKLANAN YARALANMALARDA HİÇBİR SORUMLULUK KABUL ETMEZ.



Uyarı - Force Feedback ve tekrarlanan hareketlerden dolayı yaralanma

Force Feedback direksiyonla oynamak kas veya eklem ağrısına neden olabilir. Her türlü sorunu önlemek için:

- * Uzun oyun periyotlarından sakının.
- * Her oyun saatinin ardından 10 ila 15 dakika ara verin.
- * Ellerinizde, bileklerinizde, kollarınızda, ayaklarınızda veya bacaklarınızda yorgunluk veya ağrı hissederseniz oynamayı kesin ve yeniden oynamaya başlamadan önce birkaç saat dinlenin.



Uyarı - Force Feedback ve tekrarlanan hareketlerden dolayı yaralanma (devamı)

- * Yeniden oynamaya başladığınızda yukarıda belirtilen semptomlar veya ağrı tekrar ederse oynamayı kesin ve bir doktora başvurun.
- * Çocukların ulaşabileceği yerlerden uzak tutun.
- * Oyun oynarken kollarınızı, tamamen gitmesine izin vermeden daima yarış direksiyonunun üzerinde doğru konumlandırılmış olarak bırakın.
- * Oyun oynarken asla ellerinizi veya parmaklarınızı pedalların altına ya da pedal setine yakın yerlere koymayın.
- * Kalibrasyon ve oyun sırasında asla elinizi veya kolunuzu yarış direksiyonundaki deliklere sokmayın.
- * Yarış direksiyonu tabanının bu kılavuzda belirtildiği gibi düzgün bir şekilde sabitlendiğinden emin olun.



Sadece 16 yaş ve üzeri kullanıcılar tarafından kullanılabilir ürün



Ürünü kendinizin veya başkalarının üzerine düşürmemeye dikkat edin!

DAİMA



ASLA



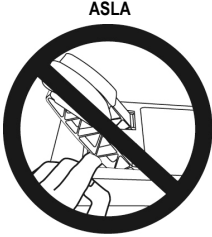
ASLA





Uyarı - Oynarken pedal seti sıkıştırma tehlikesi

- * Pedal setini çocukların ulaşabileceği yerlerden uzak tutun.
- * Oyun oynarken parmaklarınızı asla pedalların yanlarına veya yakın yerlere koymayın.
- * Oyun oynarken parmaklarınızı asla pedalların arka tabanı üzerine veya yakın yerlere koymayın.
- * Oyun oynarken parmaklarınızı asla pedalların ön tabanı üzerine veya yakın yerlere koymayın.



Uyarı - Oynamıyorken pedal seti sıkıştırma tehlikesi

- * Pedal setini güvenli ve çocukların ulaşamayacağı bir yerde saklayın.

YARIŞ DİREKSİYONUNUZUN DONANIM YAZILIMINI GÜNCELLEME

Yarış direksiyonunuzun tabanında bulunan donanım yazılımı ürün geliştirmeleri içeren daha yeni sürümlere güncellenebilir.

Yarış direksiyonunuzun halihazırda kullandığı donanım yazılımı sürümünü görmek ve gerektiğinde güncellemek için: PC'de <http://ts.thrustmaster.com> adresine gidin. **Updates and Downloads** kısmında **PlayStation® / Wheels / T300 RS** seçeneklerine tıklayın, ardından **Driver/Firmware** seçeneğini seçerek indirme ve kurulum işlemini anlatan talimatları izleyin.

YARIŞ DİREKSİYONUNUN TABANINA TAKILMASI

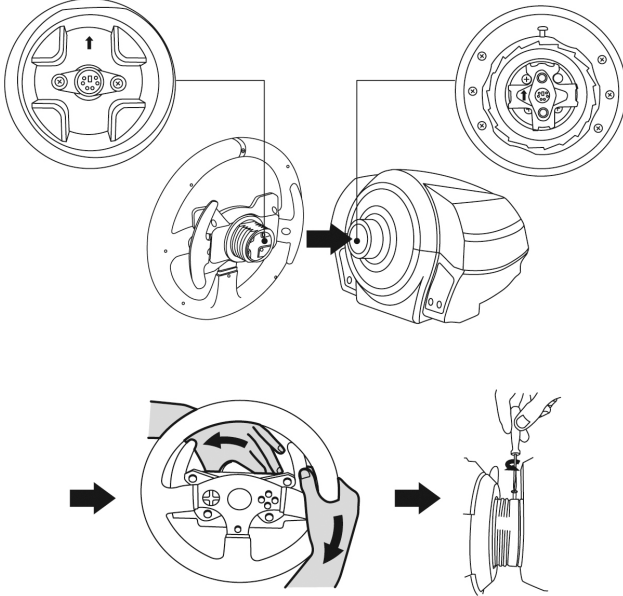
Konektör yerlerini okları kullanarak hizalayın:

Taban (1) konektörü: Ok yukarı doğru bakar

Yarış direksiyonu (2) konektörü: Ok yukarı doğru bakar

Konektörler doğru bir şekilde konumlandırıldıktan sonra yarış direksiyonunu (2) yerinde tutarken Thrustmaster Quick Release (12) aygıtının bileziğini saatin aksi yönünde döndürün.

Ardından bileziği mümkün olduğu kadar sıkın: Bunu yapmak için bileziği yerinde tutarak yarış direksiyonunu saat yönünde döndürün.



Yarış direksiyonunu taktıktan sonra Thrustmaster Quick Release (12) aygıtının bileziği üzerinde bulunan küçük montaj vidasına ulaşmak için direksiyonu 180° (direksiyona bakarken PlayStation® logosu baş aşağı olmalıdır) döndürün. Küçük ayar vidasını sıkmak için büyük yıldız tornavida kullanarak saat yönünde çevirin (fazla güç uygulamayın).



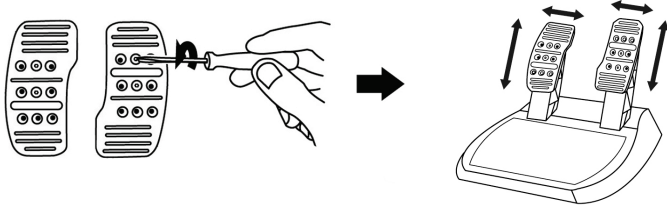
**Küçük ayar vidasını (yıldız tornavida kullanarak) sıkarken fazla güç kullanmayın!
Bir miktar direnc hisseder hissetmez vidayı döndürmeyi kesin.**

PEDALLARIN YÜKSEKLİK VE ARA BOŞLUĞUNUN AYARLANMASI

Yıldız tornavida kullanarak (ürünle verilmez) pedal başlıklarını pedal kollarına sabitleyen 2 montaj vidasını çıkarın.

Ardından pedal başlıklarının yüksekliğini ve ara boşluklarını tercih ettiğiniz sürüş stiline göre ayarlayın:

- Gaz pedalı için 6 farklı pozisyon mevcuttur.
- Fren pedalı için 6 farklı pozisyon mevcuttur.

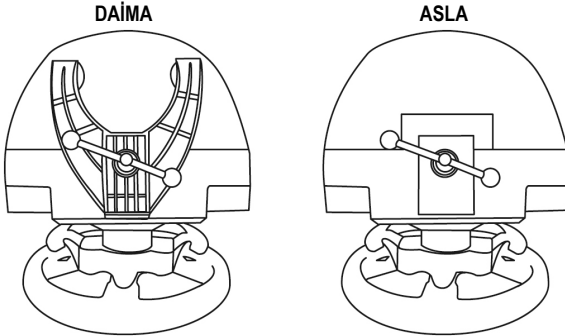


İstediğiniz yükseklik ve ara boşluğuna ulaştığınızda pedal başlıklarını pedal kollarına sabitleyen 2 montaj vidasını yerlerine takarak sıkın.

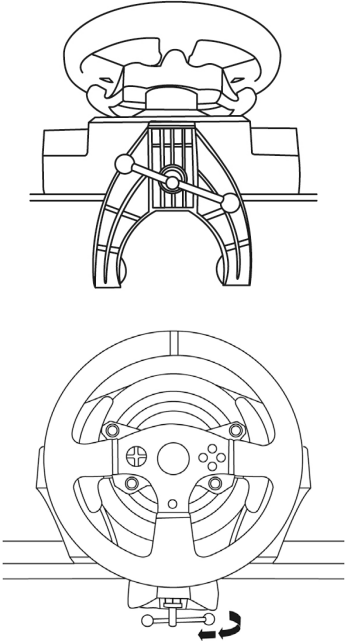
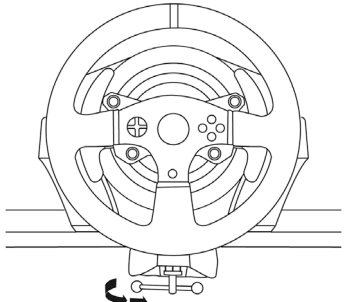
YARIŞ DİREKSİYONUNUN MONTE EDİLMESİ

Yarış direksiyonunun bir sehpa veya masaya monte edilmesi

1. Yarış direksiyonunu bir masa veya yatay, düz ve sağlam bir yüzeye yerleştirin.
2. Bağlantı vidasını (11) montaj sistemine takın (10) ve direksiyon tamamen sabitlenene dek bağlantı vidasını saatin aksi yönünde sıkarak, yarış direksiyonunu altındaki büyük dişli deliğe (9) geçirin.



UYARI: Vidayı, montaj sistemi olmadan asla tek başına sıkmayın!
(Yarış direksiyonuna zarar verebilir.)

MONTE ETME / SÖKME	YÖN
<p><u>Sıkmak için:</u> <i>Vidayı saatin aksi yönünde çevirin</i></p>	
<p><u>Gevşetmek için:</u> <i>Vidayı saat yönünde çevirin</i></p>	

Yarış direksiyonu tabanını kokpite monte etme

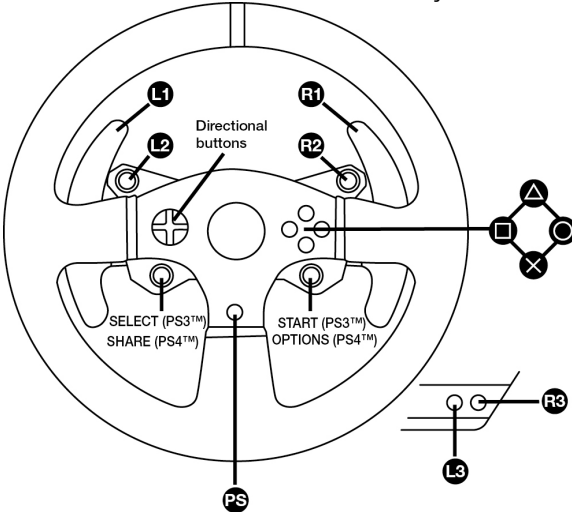
1. Yarış direksiyonu tabanını kokpit rafına yerleştirin.
2. İki adet M6 vidayı (ürünle verilmez) kokpit rafından geçirin ve yarış direksiyonunun altında bulunan iki küçük vida deliğine takın.
Önemli: İki M6 vidanın boyu raf kalınlığı + 12 mm'yi geçmemelidir; daha uzun vidalar yarış direksiyonu tabanında bulunan dahili bileşenlere zarar verebilirler.
3. Gerekirse bağlantı vidasını büyük dişli deliğe geçirerek standart montaj sistemini sıkın.

Pedal setini kokpite monte etme

1. Pedal setini, altında bulunan küçük vida deliklerini kullanarak monte edin.
2. İki adet M6 vidayı (ürünle verilmez) kokpit rafından geçirin ve pedal setinin altında bulunan iki küçük vida deliğine takın.
Önemli: İki M6 vidanın boyu raf kalınlığı 10 mm'yi geçmemelidir; daha uzun vidalar pedal setinde bulunan dahili bileşenlere zarar verebilirler.

Kokpitler için yerleşim diyagramları (yarış direksiyonunun tabanını ve/veya pedal setini konumlandırmak için) <http://ts.thrustmaster.com> adresinde, Updates and Downloads kısmına gelerek PlayStation® / Wheels / T300 RS'ye tıklayın, ardından Manual/Help file'i seçin.

PLAYSTATION®3 VE PLAYSTATION®4 DÜĞME YERLEŞİMİ



YARIŞ DİREKSİYONUNUN PLAYSTATION®3 VEYA PLAYSTATION®4 İÇİN AYARLANMASI

1. Pedal setini, yarış direksiyonu tabanının arka kısmında bulunan konektöre (17) bağlayın.
2. Elektrik kablosunu, yarış direksiyonu tabanının arka kısmında bulunan konektöre (14) bağlayın.
3. Elektrik kablosunu aynı voltaj özelliklerine sahip bir prize takın.



Bununla ilgili daha fazla bilgi için lütfen bu kılavuzun 3. sayfasındaki YARIŞ DİREKSİYONUNUN ELEKTRİK PRİZİNE TAKILMASI kısmına bakın.

4. Yarış direksiyonunun tabanındaki USB seçim düğmesini, kullandığınız konsol veya oyuna göre PS3™ veya PS4™ konumuna alın.
5. Yarış direksiyonunun USB konektörünü (15) konsolun USB portlarından birine bağlayın.
6. Konsolunuz açıldığında yarış direksiyonunuz otomatik olarak kendini kalibre edecektir.
7. PlayStation®4'de (USB seçim düğmesi PS4™ konumundayken): Yarış direksiyonunun PS düğmesine (8) basın ve direksiyonu kullanabilmek için oyuncu profilinize Sony Entertainment Network giriş yapın.

Artık oynamaya hazırsınız!

Önemli notlar:

- Direksiyonun USB kablosunu konsola bağlamadan önce yarış direksiyonunun tabanındaki USB seçim düğmesi (5) uygun konuma (PS3™ veya PS4™) alınmış olmalıdır. Seçim düğmesinin konumunu değiştirmek için USB kablosunu konsoldan ayırın ve ardından USB kablosunu konsola tekrar bağlamadan önce düğmenin konumunu değiştirin.
- PlayStation®3'de USB seçim düğmesi (5) daima PS3™ konumunda olmalıdır:
 - * Direksiyon çoğu oyunda T500 RS direksiyon şeklinde tanınır.
 - * Direksiyon uyumlu oyunlarda ve konsol menülerinde çalışır.
 - * “PS” fonksiyonu direksiyonda çalışır.
- PlayStation®4'de, USB seçim düğmesi (5) PS3™ konumundayken:
 - * Direksiyon çoğu oyunda T500 RS direksiyon şeklinde tanınır.
 - * Direksiyon uyumlu oyunlarda çalışır ancak konsol menülerinde çalışmaz.
 - * “SHARE” ve “PS” fonksiyonu direksiyonda çalışmaz.
- PlayStation®4'de, USB seçim düğmesi (5) PS4™ konumundayken:
 - * Direksiyonu kullanabilmek için yarış direksiyonunun PS düğmesine (8) basmayı unutmayın.
 - * Direksiyon çoğu oyunda T300 RS direksiyon şeklinde tanınır.
 - * Direksiyon uyumlu oyunlarda ve konsol menülerinde çalışır.
 - * “SHARE” ve “PS” fonksiyonu direksiyonda çalışır.
- T300 RS ile uyumlu PlayStation®3 ve PlayStation®4 oyunlarının listesi (oynanan oyuna göre USB seçim düğmesinin (5) olması gereken konumu ile birlikte) şu adreste mevcuttur:
<http://ts.thrustmaster.com> (Updates and Downloads kısmında,
PlayStation® / Wheels / T300 RS'ye tıklayın).
Bu liste düzenli olarak güncellenir.

PC İÇİN YARIŞ DİREKSİYONU KURULUMU

Önemli not:

PC'de yarış direksiyonu tabanının üzerinde bulunan USB seçim düğmesi (5) daima PS3™ pozisyonuna ayarlanmış olmalıdır.

1. <http://ts.thrustmaster.com> adresine giderek PC için sürücülerini ve Force Feedback yazılımını indirin. Updates and Downloads kısmında, PC / Wheels / T300 RS'ye tıklayın, ardından Drivers'i seçin.

2. İndirme tamamlandığında kurulumu başlatın ve ekrandaki talimatları izleyerek direksiyonun USB jakını bilgisayarınıza bağlayın ve kurulumu tamamlayın.

3. Kurulum tamamlandığında Finish düğmesine tıklayın ve bilgisayarınızı yeniden başlatın.

4. Başlat / Tüm Programlar / Thrustmaster / FFB Racing Wheel / Control Panel'i seçerek Oyun Kumandaları penceresini açın.

Oyun Kumandaları penceresi, yarış direksiyonunun adını (T300 RS Racing Wheel) Tamam durumunda gösterir.

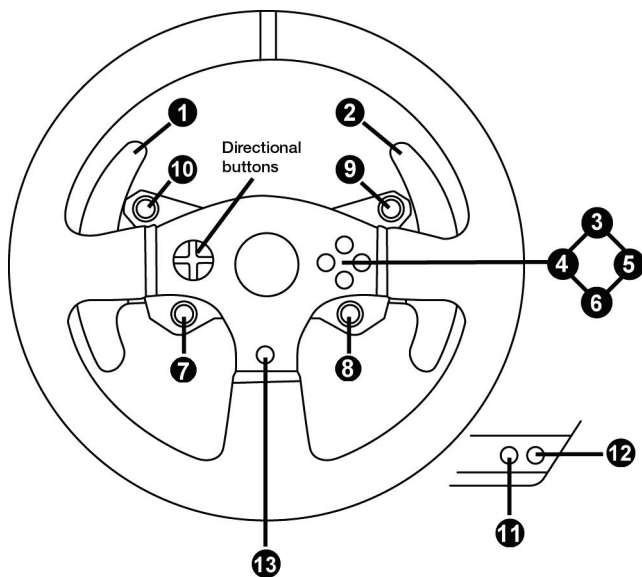
5. T300 RS kontrol panelinde direksiyonunuzu ayarlamak için Özellikler'e tıklayın:

- Test Input (Giriş Testi) sekmesi: PC oyunlarında eylem düğmelerini, yön düğmelerini, direksiyonu ve pedal eksenlerini test etmenizi ve görüntülemenizi, direksiyonun dönüş açısını ayarlamanızı sağlar.
- Test Forces (Güç Testi) sekmesi: 12 force feedback efektiyi test etmenizi sağlar.
- Gain Settings (Kazanç Ayarları) sekmesi: PC oyunlarınızda force feedback etkilerinin gücünü ayarlamanızı sağlar.

Artık oynamaya hazırsınız!

Genel notlar:

- PC'de oyunu başlatmadan önce Tamam'a tıklayarak Oyun Kumandaları penceresini kapatın.
- PC'de Oyun Kumandaları penceresinde yapılan ayarlar sadece bilgisayarınıza kaydedilir (bu nedenle PlayStation®3 veya PlayStation®4'te etkisi yoktur).
- Direksiyonunuzun donanım yazılımı sürümü T300 RS kontrol panelinin sekmelerinde sağ üst köşede gösterilir.



OTOMATİK YARIŞ DİREKSİYONU VE PEDAL SETİ KALİBRASYONU

Yarış direksiyonunu elektrik prizine ve yarış direksiyonunun USB konektörünü konsola bağladığınızda yarış direksiyonu kendini otomatik olarak kalibre eder.
Bu aşamada yarış direksiyonu, 900 derecelik bir açığı kaplayıp merkezde durmadan önce sola ve sağa doğru hızlı bir şekilde döner.



UYARI:

**Otomatik kalibrasyon aşamasında yarış direksiyonuna asla dokunmayın.
(Hatalı kalibrasyona ve/veya yaralanmalara neden olabilir.)**

OTOMATİK PEDAL SETİ KALİBRASYONU

Konsola bağlıyken veya oyun sırasında pedal setini asla yarış direksiyonu tabanına bağlamayın (veya tabandan ayırmayın) (hatalı kalibrasyona neden olabilir).
Pedal setini daima yarış direksiyonunu konsola bağlamadan önce bağlayın.
Yarış direksiyonunun kalibrasyonu tamamlandığında ve oyun başlatıldığında pedallar, bir kaç basma sonunda otomatik olarak kalibre edilirler.



UYARI:

**Yarış direksiyonunun otomatik kalibrasyonu aşamasında veya oyun yüklenirken asla pedallara basmayın.
(Hatalı kalibrasyona neden olabilir)**

Yarış direksiyonu ve/veya pedal seti düzgün çalışmıyorsa veya düzgün kalibre edilmemiş gibi gözüküyorsa:

Konsolunuzu kapatın ve yarış direksiyonunuzun tamamen ayırın. Tüm kabloları (elektrik kablosu ve pedal seti dahil) tekrar bağlayın, ardından konsolunuzu ve oyununuzu yeniden başlatın.

DAHİLİ SICAKLIK SENSÖRÜ

Direksiyonun soğutma sistemi, soğutma plakası ve fandan oluşur.

- Bir termostat, direksiyonun iç sıcaklığını izler.
- Oyun oynamak için direksiyonu kullanırken:
 - Direksiyon belirli bir sıcaklığa ulaştığında soğutma fanı çalışmaya başlar (kullanılan Force Feedback efektlerinin gücüne bağlı olarak birkaç dakika oyun oynadıktan sonra).
 - Force Feedback efektlerinin gücü, direksiyon çok yüksek sıcaklık seviyelerine ulaştığında (motoru korumak için) otomatik olarak azalır. Bu efektlerin gücü sıcaklık biraz düştüğünde, otomatik olarak artar.
- Oyun oynamayı bıraktığınızda: Motorun ısı tutması nedeniyle, sıcaklık fanın başlama seviyesinin altına düşene kadar soğutma fanı çalışmaya devam eder. Direksiyonunuz, soğutmaya yardımcı olmak ve motoru korumak için bu şekilde tasarlanmıştır (oyun sırasında direksiyon kullanırken ulaşılan sıcaklığa göre, bu 5-45 dakika sürebilir).

MOD DÜĞMESİ VE GÖSTERGE LAMBASI (6)

Pedal seti MOD düğmesi

T300 RS ile gelen pedal seti 2 pedala sahiptir.

Bu pedal setini kullanırken gösterge lambasının kırmızı renkte yanık kaldığından emin olun, aksi takdirde gaz pedalı düzgün çalışmaz.

T300 RS, Thrustmaster'ın 3 pedal içeren pedal setleriyle (ayrı olarak satılır) de uyumludur; bunlar, gaz ve debriyaj pedallarını elektronik olarak değiştirmenizi sağlar.

Bunu yapmak için MOD düğmesine (6) 2 saniye süreyle basın.

Yarış direksiyonunun dahili hafızası pedalların değiştirilip değiştirilmediğini kaydeder.

GAZ VE DEBRİYAJ PEDALLARI	MOD gösterge lambasının (6) rengi
NORMAL	KIRMIZI
DEĞİŞTİRİLDİ	YEŞİL

MOD düğmesi için diğer ipuçları

MOD düğmesi ve gösterge lambası ile ilgili daha fazla bilgi için lütfen <http://ts.thrustmaster.com> adresini ziyaret ederek; Updates and Downloads kısmına gelin, PlayStation® / Wheels / T300 RS'ye tıklayın, ardından Manual/Help file'i seçin.

THRUSTMASTER ÜRÜN EKOSİSTEMİ İLE UYUMLULUK

T300 RS'nin tabanı şunlarla uyumludur:

- Ayrılabilir Thrustmaster direksiyonları: "Ferrari F1 Wheel Add-on*", "Ferrari GTE Wheel Add-on*", "T300 RS PS Wheel", "T500 RS GT Wheel**".
- Tabana direksiyondan kumandalı sabit vites monte etmenizi sağlayan "Base Fixed Paddle Shifters**" kiti.
- Thrustmaster pedal setleri: "T3PA**" (Thrustmaster 3 Pedals Add-on) ve T500 RS yarış direksiyonunun pedal seti.
- Thrustmaster vitesleri (vites kutuları): "TH8A**" ve "TH8RS**".

* Ayrı olarak satılır (daha fazla bilgi için bkz. <http://www.thrustmaster.com/products/t300rs>).

YARDIM DOSYALARI VE SIK SORULAN SORULAR (BU KILAVUZDA GEÇMEZ)

Lütfen <http://ts.thrustmaster.com> adresini ziyaret ederek Updates and Downloads kısmına gelin ve PlayStation® / Wheels / T300 RS'ye tıklayın, ardından Manual/Help file'i seçin.

TEKNİK DESTEK

Ürününüzle ilgili bir sorunla karşılaşırsanız, lütfen <http://ts.thrustmaster.com> adresini ziyaret edin ve **Technical Support**'u tıklayın. Sayfadan, sorununuzu çözenize yardımcı olacak çeşitli kaynaklara (Sıkça Sorulan Sorular (SSS), sürücü ve yazılımların son sürümleri) erişebilirsiniz. Sorununuz devam ederse, Thrustmaster ürünleri teknik destek hizmeti ("Technical Support") ile iletişime geçebilirsiniz:

E-posta yoluyla:

E-posta yoluyla teknik destek almak için öncelikle çevrimiçi olarak kayıt olmalısınız. Verdiğiniz bilgiler, temsilcilerin sorununuzu daha hızlı bir şekilde çözmesine yardımcı olacaktır. Technical Support sayfasının sol tarafındaki **Registration**'ı tıklayın ve ekrandaki talimatları izleyin. Daha önce kayıt olduysanız, **Username** ve **Password** alanlarını doldurup **Login**'i tıklayın.

Tüketici garanti bilgisi

İşbu Thrustmaster ürünün, malzeme ve işçilik hatalarına karşı, müşterinin kusurlu ürünün ücretinin iade edilmesi veya değiştirilmesi talebinde bulunabileceği süreye karşılık gelen garanti süresince dünya çapında Guillemot Corporation S.A. (bundan sonra "Guillemot" olarak ifade edilecektir) garantisini altındadır. Avrupa Birliği ülkelerinde bu süre, Thrustmaster ürününün tesliminden itibaren iki (2) seneye karşılık gelir. Diğer ülkelerde garanti süresi, Thrustmaster ürün ile ilgili olarak, Thrustmaster ürününün satın alındığı tarihte müşterinin ikamet ettiği ülkede geçerli yasalara uygun şekilde, müşterinin kusurlu ürünün ücretinin iade edilmesi veya değiştirilmesi talebinde bulunabileceği süreye karşılık gelir (İlgili ülkede bu tür bir düzenleme mevcut değilse garanti süresi Thrustmaster ürününün satın alındığı asıl tarihten itibaren bir (1) yıl olacaktır).

Yukarıdakilere bağlı kalmaksızın, yeniden doldurulabilir piller ilk satın alındıkları tarihten itibaren altı (6) ay boyunca garanti kapsamındadır.

Garanti süresi içinde üründe hata veya kusur tespit edilmesi durumunda derhal izlenecek yöntem ile ilgili size bilgi verecek olan Teknik Destek servisimize başvurun. Hata veya kusur onaylarsa ürünün satın alındığı yere (ya da Teknik Destek servisi tarafından belirtilen yere) iade edilmesi gerekmektedir.

İşbu garanti kapsamında müşterinin kusurlu ürünü, Teknik Destek servisinin inisiyatifine bağlı olarak, onarılabacak veya değiştirilecektir. Yürürlükte olan yasaların izin verdiği durumlarda, Guillemot ve bağlılarının tüm sorumluluğun (dolaylı hasarlar da dahil olmak üzere) Thrustmaster ürününün onarılması veya değiştirilmesi ile sınırlıdır. Yürürlükte olan yasaların izin vermesi halinde Guillemot, ticarete elverişlilik veya belirli bir amaca uygunluk ile ilgili tüm garantileri reddeder. Tüketim mallarının satışına ilişkin tüketicinin yasal hakları işbu garantiden etkilenmemektedir.

İşbu garanti aşağıdaki durumlar için geçerli değildir: (1) Ürün modifiye edilmişse, açılmışsa, üzerinde değişiklik yapılmışsa, uygunsuz veya kötü kullanım, ihmal, kaza, normal aşınma ya da malzeme veya üretim hatası ile ilgili olmayan nedenlerden dolayı hasar görmüşse (ancak bununla sınırlı özelliklere güç kaynakları, yeniden doldurulabilir piller, şarj cihazları veya bu ürün için Guillemot tarafından tedarik edilmemiş tüm diğer elemanlar); (2) Teknik Destek servisi tarafından sağlanan talimatlara uyulmamışsa; (3) yazılım için, işbu garanti geçerli değildir, söz konusu yazılım için sağlanan özel garanti hükümlerine tabidir; (4) sarf malzemeleri için (ürünün kullanım süresi içinde değiştirilecek elemanlar: örneğin; tek kullanımlık piller, kulaklık yastıkları); (5) aksesuarlar için (örneğin; kablolar, kılıflar, cepler, çantalar, bileklikler); (6) ürün açık artırma ile satılmışsa.

Bu garanti devrolunamaz.

Sorumluluk

Yürürlükte olan yasaların izin vermesi halinde, Guillemot Corporation S.A. (bundan sonra "Guillemot" olarak ifade edilecektir) ve bağlıları aşağıdakilerin bir veya daha fazlasından kaynaklanan her türlü hasara karşı tüm sorumluluğu reddeder: (1) Ürün modifiye edilmişse, açılmışsa, üzerinde değişiklik yapılmışsa; (2) montaj talimatlarına uyulmamışsa; (3) uygunsuz veya kötü kullanım, ihmal, kaza (örneğin bir darbe); (4) normal aşınma. Yürürlükte olan yasaların izin vermesi halinde, Guillemot ve bağlıları ürüne ilgili malzeme veya üretim hatası ile ilgili olmayan her türlü hasara karşı tüm sorumluluğu reddeder (ancak bununla sınırlı kalmamak üzere, herhangi bir yazılımdan veya Thrustmaster ürününün herhangi bir uygun olmayan elemanla birleştirilmesinden doğrudan veya dolaylı olarak kaynaklanan tüm hasarlar, buna dahil olarak özellikle güç kaynakları, yeniden doldurulabilir piller, şarj cihazları veya bu ürün için Guillemot tarafından tedarik edilmemiş tüm diğer elemanlar).

TELİF HAKKI

© 2014 Guillemot Corporation S.A. Tüm hakları saklıdır. Thrustmaster® Guillemot Corporation S.A.'nın tescilli ticari markasıdır. "PS", "PlayStation", "PS3" ve "ΔOXO" Sony Computer Entertainment, Inc.'in tescilli ticari markalarıdır. "PS4" aynı firmanın ticari markasıdır. Diğer tüm ticari markalar ilgili sahiplerine aittir. Fotoğraflar bağlayıcı değildir. İçindekiler, tasarım ve teknik özellikler önceden haber vermesiniz değiştirilebilir ve ülkeden ülkeye farklılık gösterebilir. Çin'de üretilmiştir.

Immersion Corporation'dan lisanslı TouchSense® teknolojisi. Şu adreste bulunan ABD patentlerinden biri veya daha fazlası ile korunmuştur: www.immersion.com/patent-marking.html, diğer patentler beklemededir.

ÇEVRE KORUMA ÖNERİLERİ



Avrupa Birliği'nde: Cihazın kullanım ömrü sona erdiğinde, standart ev atıkları ile atılmamalı, geri dönüşüm için Atık Elektrikli ve Elektronik Cihazların toplandığı bir yere bırakılmalıdır.

Bu, ürünün, kullanım kılavuzunun veya paketin üzerinde bulunan sembol ile onaylanmıştır.

Özelliklerine bağlı olarak malzemeler geri dönüştürülebilir. Atık Elektrik ve Elektronik Cihazların geri dönüşümü veya diğer işleme yöntemleri sayesinde

çevrenin korunmasına yönelik önemli bir katkıda bulunabilirsiniz Size en yakın toplama merkezleri hakkında bilgi almak için lütfen yerel yetkililerle iletişime geçin.

Diğer ülkeler için: Lütfen elektrikli ve elektronik cihazların geri dönüşümü için yerel yasalara uyunuz

Bu belgeyi saklayın. Renkler ve süslemeler değişiklik gösterebilir.
Plastik tutturucular ve bantlar, kullanmadan önce üründen çıkarılmalıdır.

www.thrustmaster.com

**Sadece AB ve Türkiye için geçerlidir*



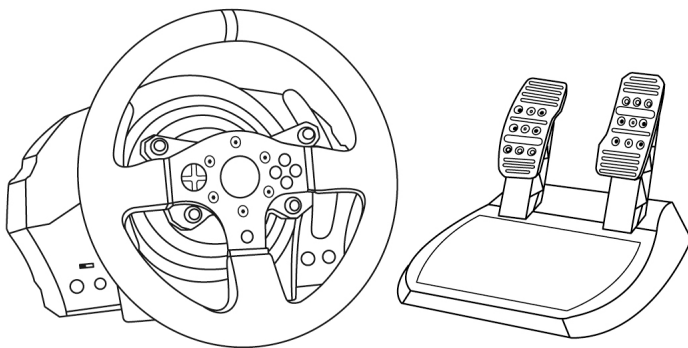
immersion.



T300RS

NA PLAYSTATION®3 – PLAYSTATION®4

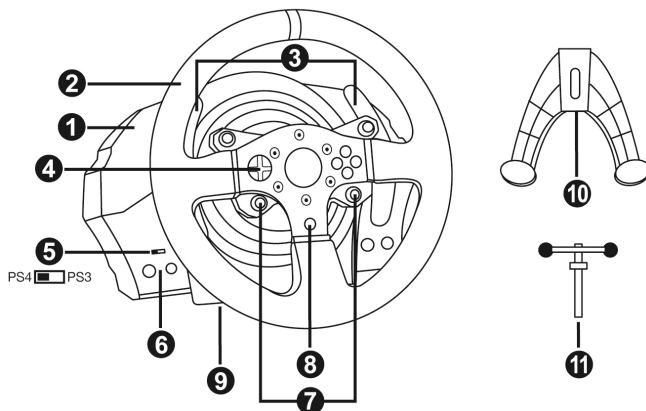
Instrukcja obsługi



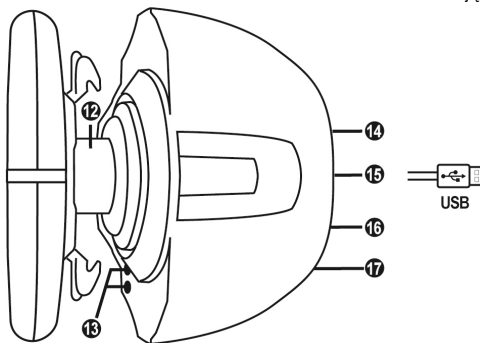
OSTRZEŻENIE:

W celu zapewnienia prawidłowego działania kierownicy T300 RS w grach na konsolę PlayStation®3 lub PlayStation®4 może być wymagane zainstalowanie automatycznych aktualizacji gier (dostępnych, gdy konsola ma połączenie z Internetem).

ELEMENTY



- | | |
|---|---|
| <p>1 Podstawa T300 RS</p> <p>2 Kierownica PS</p> <p>3 2 łopatki sekwencyjnej zmiany biegów (Up i Down)</p> <p>4 Wielokierunkowy d-pad</p> <p>5 Wybierak USB PS4™ lub PS3™</p> <p>6 Przycisk MODE + czerwona/zielona kontrolka</p> | <p>7 Przyciski SELECT/START na konsoli PS3™ i SHARE/OPTIONS na konsoli PS4™</p> <p>8 Przycisk PS</p> <p>9 Duży gwintowany otwór (na element montażowy i śrubę mocującą)</p> <p>10 Element montażowy</p> <p>11 Metalowa śruba mocująca</p> |
|---|---|



- | | |
|---|--|
| <p>12 Thrustmaster Quick Release</p> <p>13 Przyciski L3/R3</p> <p>14 Złącze zasilania (typ A lub B) (w zależności od kraju)</p> | <p>15 Kabel kierownicy ze złączem USB</p> <p>16 Złącze skrzyni biegów (do nabycia osobno)</p> <p>17 Złącze zestawu pedalów</p> |
|---|--|

PODŁĄCZANIE KIEROWNICY DO GNIAZDA ELEKTRYCZNEGO: PRZECZYTAĆ PRZED WYKONANIEM DALSZYCH CZYNNOŚCI!

Rodzaj zasilania kierownicy zależy od kraju jej zakupu.

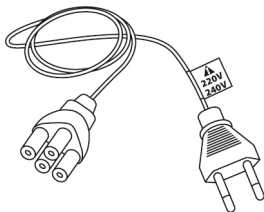
Możliwe rodzaje zasilania:

Wewnętrzne:

* zasilacz znajdujący się bezpośrednio w podstawie kierownicy i wyposażony w złącze typu A

* kabel zasilania do sieci 220–240 V

= przeznaczony wyłącznie do zasilania o napięciu 220–240 V



**Kabla przeznaczonego do napięcia 220–240 V
nie wolno podłączać do gniazda o napięciu 100–130 V!!!
Nie wolno podłączać tego kabla do adaptera zasilania!!!**

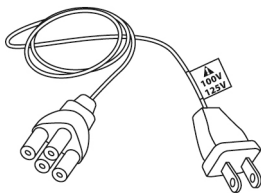


Wewnętrzne:

* zasilacz znajdujący się bezpośrednio w podstawie kierownicy i wyposażony w złącze typu A

* kabel zasilania do sieci 100–125 V

= przeznaczony wyłącznie do zasilania o napięciu 100–125 V



**Kabla przeznaczonego do napięcia 100–125 V
nie wolno podłączać do gniazda o napięciu 220–240 V!!!
Nie wolno podłączać tego kabla do adaptera zasilania!!!**



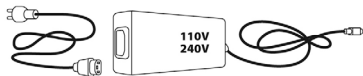
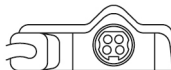
WAŻNE: jeśli nie wiesz, jakie napięcie jest stosowane w miejscu, w którym korzystasz z kierownicy, skontaktuj się z miejscowym dostawcą energii elektrycznej.

Zewnętrzne:

* zasilacz zewnętrzny ze złączem typu B

* kabel zasilania

= przeznaczony do wszystkich napięć w zakresie 110–240 V



OSTRZEŻENIA

Zanim rozpoczniesz korzystanie z urządzenia, szczegółowo zapoznaj się z niniejszą instrukcją, a następnie zachowaj ją do wglądu.



Ostrzeżenie — ryzyko porażenia prądem elektrycznym

- * Przechowuj urządzenie w suchym miejscu i nie wystawiaj go na działanie kurzu ani światła słonecznego.
- * Nie skręcaj ani nie naciągaj złączy ani kabli.
- * Nie wylewaj cieczy na urządzenie ani jego złącza.
- * Nie zwieraj urządzenia.
- * Nie demontuj urządzenia, nie wrzucaj go do ognia ani nie narażaj na działanie wysokich temperatur.
- * Nie używaj kabla zasilania innego niż dostarczony z kierownicą.
- * Nie używaj kabla zasilania, jeśli sam kabel lub jego złącza są uszkodzone, pęknięte lub przerwane.
- * Upewnij się, że kabel zasilania jest właściwie podłączony do gniazda elektrycznego i do złącza znajdującego się z tyłu podstawy kierownicy.
- * Nie otwieraj kierownicy: w jej wnętrzu nie ma części przeznaczonych do naprawiania przez użytkownika. Naprawy może wykonywać wyłącznie producent, jego autoryzowany przedstawiciel lub wykwalifikowany serwisant.
- * Korzystaj wyłącznie z elementów montażowych/akcesoriów określonych przez producenta.
- * W przypadku nietypowego działania kierownicy (na przykład gdy wydobywają się z niej dziwne dźwięki, ciepło lub zapachy) natychmiast przestań jej używać, wyciągnij kabel zasilania z gniazda elektrycznego i odłącz pozostałe kable.
- * Jeśli nie zamierzasz korzystać z kierownicy przez dłuższy czas, wyciągnij jej kabel zasilania z gniazda elektrycznego.



Odpowietzniki

Dbaj, aby żaden z odpowietzników w podstawie kierownicy nie był zasłonięty. W celu zapewnienia optymalnej wentylacji przestrzegaj następujących zaleceń:

- * Ustaw podstawę kierownicy w odległości co najmniej 10 cm od wszelkich ścian.
- * Nie umieszczaj podstawy w ciasnych miejscach.
- * Nie przykrywaj podstawy.
- * Nie dopuszczaj do gromadzenia się kurzu w odpowietznikach.



**Ze względów bezpieczeństwa zestawu pedałów nie wolno używać w bosych stopach ani w samych skarpetkach.
FIRMA THRUSTMASTER® NIE PONOSI ŻADNEJ ODPOWIEDZIALNOŚCI
ZA EWENTUALNE OBRAŻENIA CIAŁA WYNIKŁE Z UŻYWANIA
ZESTAWU PEDAŁÓW BEZ OBUWIA.**



Ostrzeżenie — ryzyko obrażeń ciała spowodowanych siłowym sprzężeniem zwrotnym i powtarzającymi się ruchami

Granie przy użyciu kierownicy z siłowym sprzężeniem zwrotnym (Force Feedback) może doprowadzić do bólu mięśni lub stawów. W celu uniknięcia problemów:

- * Unikaj grania przez długi czas.
- * Po każdej godzinie gry rób 10–15 minut przerwy.
- * Jeśli odczuwasz zmęczenie lub ból dłoni, nadgarstków, ramion, stóp albo nóg, przerwij grę, a przed jej ponownym rozpoczęciem odpocznij kilka godzin.



Ostrzeżenie — ryzyko obrażeń ciała spowodowanych siłowym sprzężeniem zwrotnym i powtarzającymi się ruchami (ciąg dalszy)

- * Jeśli po ponownym rozpoczęciu gry opisane powyżej objawy lub ból powrócą, przerwij grę i skonsultuj się z lekarzem.
- * Trzymaj kierownicę z dala od dzieci.
- * Podczas gry zawsze trzymaj obie dłonie we właściwym położeniu na kierownicy bez jej całkowitego puszczania.
- * Podczas gry nigdy nie kładź dłoni ani palców pod pedałami ani w pobliżu zestawu pedałów.
- * Podczas kalibracji i gry nigdy nie przekładaj dłoni ani ramion przez otwory w kierownicy.
- * Sprawdź, czy podstawa kierownicy jest właściwie zamocowana zgodnie ze wskazówkami podanymi w niniejszej instrukcji.



Urządzenie tylko dla użytkowników powyżej 16 roku życia

CIĘŻKIE URZĄDZENIE



Uważaj, aby nie upuścić urządzenia na siebie ani inną osobę!

ZAWSZE



NIGDY



NIGDY





Ostrzeżenie — ryzyko przytrzaśnięcia przez pedały podczas gry

- * Trzymaj zestaw pedałów z dala od dzieci.
- * Podczas gry nigdy nie kładź palców na bokach pedałów ani nie zbliżaj ich do tego miejsca.
- * Podczas gry nigdy nie kładź palców na tylnej powierzchni podstawy pedałów ani nie zbliżaj ich do tego miejsca.
- * Podczas gry nigdy nie kładź palców na przedniej powierzchni podstawy pedałów ani nie zbliżaj ich do tego miejsca.

NIGDY



NIGDY



NIGDY



Ostrzeżenie — ryzyko przytrzaśnięcia przez pedały poza grą

- * Przechowuj zestaw pedałów w bezpiecznym miejscu i trzymaj go z dala od dzieci.

AKTUALIZACJA OPROGRAMOWANIA SPRZĘTOWEGO KIEROWNICY

Oprogramowanie zawarte w podstawie kierownicy można zaktualizować do nowszej wersji, zawierającej rozszerzenia różnych funkcji.

Aby wyświetlić wersję oprogramowania sprzętowego, z której obecnie korzysta kierownica, i w razie potrzeby ją zaktualizować, na komputerze wejdź na stronę <http://ts.thrustmaster.com>. W sekcji **Updates and Downloads** kliknij **PlayStation® / Wheels / T300 RS**, następnie wybierz **Driver/Firmware**, a następnie postępuj zgodnie z instrukcją pobierania i instalacji.

ZAKŁADANIE KIEROWNICY NA PODSTAWĘ

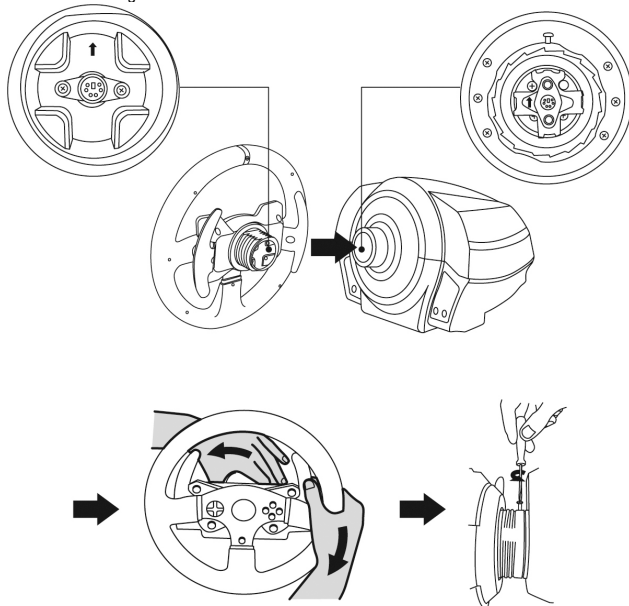
Wyrównaj położenie złączy przy użyciu strzałek:

Złącze podstawy (1): strzałka skierowana w górę

Złącze kierownicy (2): strzałka skierowana w górę

Po prawidłowym ustawieniu złączy obróć pierścień mechanizmu Thrustmaster Quick Release (12) przeciwnie do ruchu wskazówek zegara, jednocześnie przytrzymując kierownicę (2).

Następnie maksymalnie dokręć pierścień. W tym celu przytrzymaj pierścień i obracaj kierownicę zgodnie z ruchem wskazówek zegara.



Zamontowaniu kierownicy PS obróć ją o 180° (gdy staniesz przodem do kierownicy, logo PlayStation® powinno być zwrócone dołem do góry), aby uzyskać dostęp do śruby mocującej znajdującej się na pierścieniu mechanizmu Thrustmaster Quick Release (12). Przy użyciu dużego śrubokręta krzyżakowego dokręć śrubkę mocującą (bez używania nadmiernej siły), obracając ją zgodnie z ruchem wskazówek zegara.



W trakcie dokręcania śruby mocującej (przy użyciu śrubokręta krzyżakowego) nie używaj nadmiernej siły!

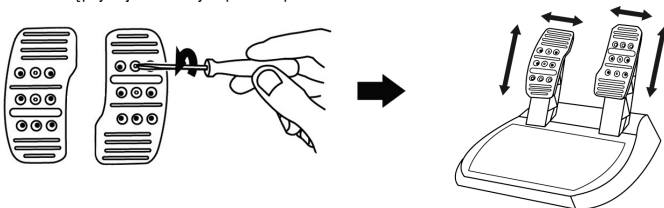
Gdy tylko poczujesz opór, przerwij dokręcanie.

REGULACJA WYSOKOŚCI I ODLEGŁOŚCI PEDAŁÓW

Przy użyciu śrubokręta krzyżakowego (do nabycia osobno) wykręć 2 śrubki mocujące, przy użyciu których stopki pedałów są zamocowane do ramion pedałów.

Następnie wyreguluj wysokość stopek pedałów i odległość między nimi odpowiednio do preferowanego stylu jazdy:

- Dostępnych jest 6 różnych położeń pedału gazu.
- Dostępnych jest 6 różnych położeń pedału hamulca.

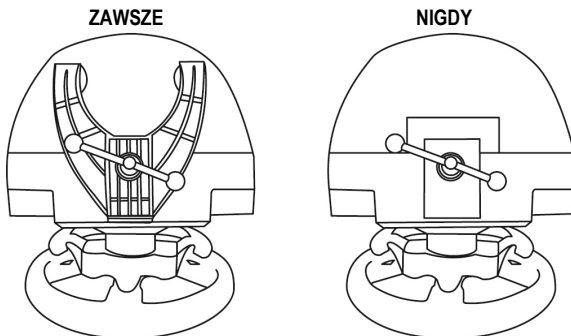


Po uzyskaniu zadowalającej wysokości i odległości włóż i dokręć 2 śrubki mocujące stopki pedałów do ramion.

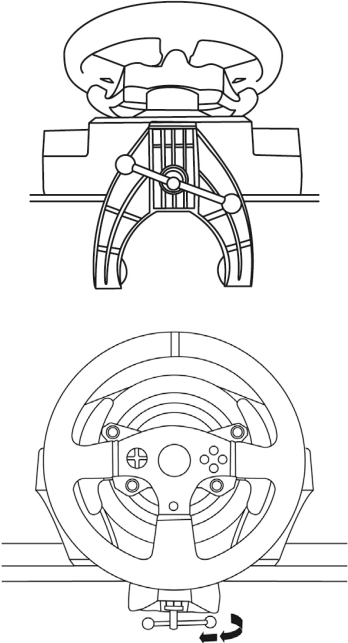
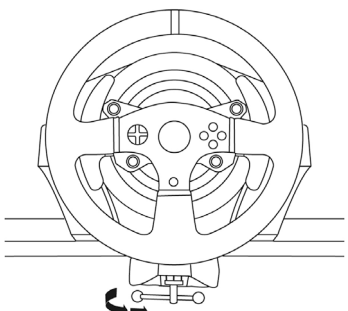
MOCOWANIE KIEROWNICY

Mocowanie kierownicy do stołu lub biurka

1. Połóż kierownicę na stole lub innej poziomej, płaskiej i stabilnej powierzchni.
2. Włóż śrubę mocującą (11) w element montażowy (10), a następnie zamocuj urządzenie, wkręcając śrubę przeciwnie do ruchu wskazówek zegara w duży gwintowany otwór (9) znajdujący się pod kierownicą aż do solidnego i stabilnego zamocowania kierownicy.



**OSTRZEŻENIE: nie wolno wkręcać samej śruby bez elementu montażowego!
(Może to spowodować uszkodzenie kierownicy).**

MOCOWANIE/ZDEJMOWANIE	KIERUNEK
<p><u>Dokrećanie:</u></p> <p>Obróć śrubę przeciwnie do ruchu wskazówek zegara</p>	
<p><u>Odkrećanie:</u></p> <p>Obróć śrubę zgodnie z ruchem wskazówek zegara</p>	

Mocowanie podstawy kierownicy do kokpitu

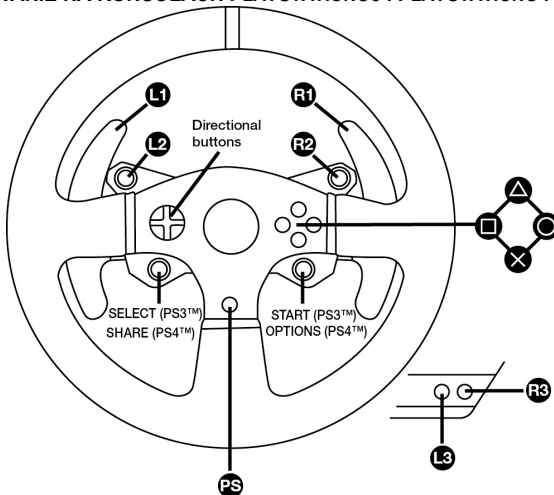
1. Umieść podstawę kierownicy na półce kokpitu.
2. Wkręć dwie śruby M6 (do nabycia osobno) przez półkę kokpitu w dwa niewielkie gwintowane otwory znajdujące się pod kierownicą.
Ważne: Długość dwóch śrub M6 nie może przekraczać grubości półki powiększonej o 12 mm. Dłuższe śruby mogą spowodować uszkodzenie elementów wewnętrznych znajdujących się w podstawie kierownicy.
3. W razie potrzeby zamocuj standardowy element montażowy, wkręcając śrubę mocującą w duży gwintowany otwór.

Mocowanie zestawu pedałów do kokpitu

1. Zamocuj zestaw pedałów, korzystając z niewielkich gwintowanych otworów znajdujących się pod zestawem.
2. Wkręć dwie śruby M6 (do nabycia osobno) w półkę kokpitu, a następnie w dwa niewielkie gwintowane otwory znajdujące się pod zestawem pedałów.
Ważne: Długość dwóch śrub M6 nie może przekraczać grubości półki powiększonej o 10 mm. Dłuższe śruby mogą spowodować uszkodzenie elementów wewnętrznych znajdujących się w zestawie pedałów.

Na stronie <http://ts.thrustmaster.com> są dostępne **schematy kokpitów** (ułatwiające prawidłowe ustawienie podstawy kierownicy i zestawu pedałów). W sekcji **Updates and Downloads** kliknij **PlayStation® / Wheels / T300 RS**, a następnie wybierz **Manual/Help file**.

MAPOWANIE NA KONSOLACH PLAYSTATION®3 I PLAYSTATION®4



KONFIGUROWANIE KIEROWNICY POD KĄTEM KONSOLI PLAYSTATION®3 LUB PLAYSTATION®4

1. Podłącz zestaw pedalów do złącza (17) znajdującego się z tyłu podstawy kierownicy.
2. Podłącz kabel zasilania do złącza (14) znajdującego się z tyłu podstawy kierownicy.
3. Podłącz kabel zasilania do gniazda elektrycznego o prawidłowym napięciu.



Więcej informacji na ten temat można znaleźć w sekcji **PODŁĄCZANIE KIEROWNICY DO GNIAZDA ELEKTRYCZNEGO na 3 stronie niniejszej instrukcji.**

4. Ustaw wybierak USB (5) znajdujący się w podstawie kierownicy w położeniu PS3™ lub PS4™, w zależności od używanej konsoli lub gry.
5. Podłącz złącze USB kierownicy (15) do jednego z portów USB konsoli.
6. Po włączeniu zasilania konsoli nastąpi automatyczna kalibracja kierownicy.
7. Na konsoli PlayStation®4 (gdy wybierak USB znajduje się w położeniu PS4™): naciśnij przycisk PS kierownicy (8) i załóż się w swoim profilu gracza Sony Entertainment Network, aby móc korzystać z kierownicy.

Teraz możesz zacząć grać!

Ważne uwagi:

- Zanim kabel USB kierownicy zostanie podłączony do konsoli, wybierak USB (5) znajdujący się w podstawie kierownicy należy zawsze ustawić we właściwym położeniu (PS3™ lub PS4™). Chcąc zmienić położenie wybieraka, odłącz kabel USB od konsoli, następnie zmień położenie wybieraka, a następnie ponownie podłącz kabel USB do konsoli.
- W przypadku konsoli PlayStation®3 wybierak USB (5) musi być zawsze ustawiony w położeniu PS3™:
 - * W większości gier kierownica jest rozpoznawana jako model T500 RS.
 - * Kierownica działa w zgodnych grach i w menu konsoli.
 - * W kierownicy działa funkcja „PS”.
- W przypadku konsoli PlayStation®4, jeśli wybierak USB (5) znajduje się w położeniu PS3™:
 - * W większości gier kierownica jest rozpoznawana jako model T500 RS.
 - * Kierownica działa w zgodnych grach, ale nie w menu konsoli.
 - * W kierownicy nie działają funkcje „SHARE” i „PS”.
- W przypadku konsoli PlayStation®4, jeśli wybierak USB (5) znajduje się w położeniu PS4™:
 - * Aby móc korzystać z kierownicy, naciśnij znajdujący się na niej przycisk PS (8).
 - * W większości gier kierownica jest rozpoznawana jako model T300 RS.
 - * Kierownica działa w zgodnych grach i w menu konsoli.
 - * W kierownicy działają funkcje „SHARE” i „PS”.
- *Lista gier na konsole PlayStation®3 i PlayStation®4 zgodnych z kierownicą T300 RS (wraz z położeniem wybieraka USB (5) wymaganych w poszczególnych grach) jest dostępna na stronie:*

***<http://ts.thrustmaster.com> (w sekcji Updates and Downloads
kliknij PlayStation / Wheels / T300 RS).
Lista jest regularnie aktualizowana.***

KONFIGUROWANIE KIEROWNICY POD KĄTEM KOMPUTERA PC

Ważna uwaga:

W przypadku komputera PC przełącznik suwakowy USB (5) znajdujący się w podstawie kierownicy musi być zawsze ustawiony w położeniu PS3™.

1. Wejdź na stronę <http://ts.thrustmaster.com>, aby pobrać sterowniki i oprogramowanie siłowego sprzężenia zwrotnego dla komputera PC. W sekcji Updates and Downloads kliknij PC / Wheels / T300 RS, a następnie wybierz Drivers.

2. Po zakończeniu pobierania uruchom instalację, a następnie zgodnie z instrukcjami wyświetlanymi na ekranie podłącz wtyczkę USB kierownicy do komputera i zakończ instalację.

3. Po zakończeniu instalacji kliknij Finish (Zakończ) i uruchom ponownie komputer.

4. Wybierz Start / All Programs / Thrustmaster / FFB Racing Wheel / Control Panel (Start / Wszystkie programy / Thrustmaster / FFB Racing Wheel / Panel sterowania), aby otworzyć okno Game Controllers (Kontrolery gier).

W oknie Game Controllers (Kontrolery gier) zostanie wyświetlona nazwa kierownicy T300 RS Racing Wheel ze statusem OK.

5. W panelu sterowania kierownicy T300 RS kliknij Properties (Właściwości), aby skonfigurować kierownicę:

- Karta Test Input (Testuj wejście) umożliwia testowanie i wyświetlanie przycisków czynności, przycisków kierunkowych oraz osi kierownicy i pedałów, a także regulowanie kąta obrotu kierownicy w grach na komputer PC.
- Karta Test Forces (Testuj siły) umożliwia testowanie 12 efektów siłowego sprzężenia zwrotnego.
- Karta Gain Settings (Ustawienia wzmocnienia) umożliwia regulowanie natężenia efektów siłowego sprzężenia zwrotnego w grach na komputer PC.

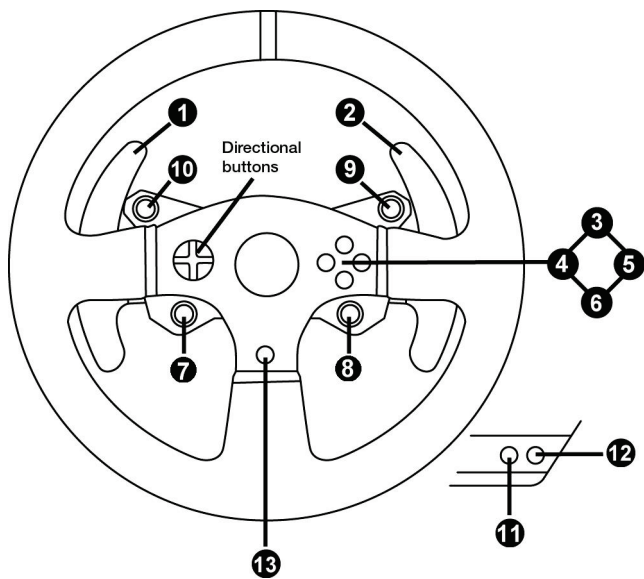
Teraz możesz zacząć grać!

Uwagi ogólne:

— Na komputerze PC przed uruchomieniem gry kliknij OK, aby zamknąć okno Game Controllers (Kontrolery gier).

— W przypadku komputera PC modyfikacje wprowadzone w oknie Game Controllers (Kontrolery gier) są zapisywane tylko na komputerze (a więc nie wpływają na konsolę PlayStation®3 ani PlayStation®4).

— Wersja oprogramowania sprzętowego kierownicy jest wyświetlana w prawym górnym rogu kart panelu sterowania kierownicy T300 RS.



AUTOMATYCZNA KALIBRACJA KIEROWNICY I ZESTAWU PEDAŁÓW

Kierownica kalibruje się automatycznie po jej podłączeniu do gniazda elektrycznego oraz podłączeniu złącza USB kierownicy do konsoli.

Podczas tej operacji kierownica obraca się szybko w lewo i w prawo (łącznie o 900 stopni), a następnie zatrzymuje się w położeniu środkowym.



OSTRZEŻENIE:

Podczas automatycznej kalibracji nie wolno dotykać kierownicy!
(Może to doprowadzić do błędów kalibracji i/lub obrażeń ciała).

AUTOMATYCZNA KALIBRACJA ZESTAWU PEDAŁÓW

Zestawu pedałów nie wolno podłączać do podstawy kierownicy (ani odłączać go od podstawy), gdy kierownica jest podłączona do konsoli ani w trakcie gry, ponieważ może to doprowadzić do błędów kalibracji.

Zestaw pedałów zawsze podłączaj przed podłączeniem kierownicy do konsoli.

Po zakończeniu kalibracji kierownicy i uruchomieniu gry pedały kalibrują się automatycznie po ich kilkukrotnym naciśnięciu.



OSTRZEŻENIE:

Nie wolno naciskać pedałów podczas automatycznej kalibracji kierownicy ani w trakcie ładowania gry!
(Może to doprowadzić do błędów kalibracji).

Jeśli kierownica i zestaw pedałów nie działają prawidłowo lub wydają się niewłaściwie skalibrowane:

Wylącz konsolę i całkowicie odłącz kierownicę. Następnie podłącz ponownie wszystkie kable (w tym kabel zasilania i zestaw pedałów) oraz uruchom ponownie konsolę i grę.

WEWNĘTRZNY CZUJNIK TEMPERATURY

Układ chłodzenia kierownicy składa się z radiatora i wentylatora.

- Wewnętrzna temperatura kierownicy monitoruje termostat.
- Podczas korzystania z kierownicy w grze:
 - Wentylator uruchamia się, gdy kierownica osiągnie określoną temperaturę (po kilku minutach gry, w zależności od natężenia efektów siłowego sprzężenia zwrotnego).
 - Jeśli kierownica osiągnie znacznie wyższą temperaturę, natężenie efektów siłowego sprzężenia zwrotnego automatycznie zmniejsza się (ma to na celu ochronę silnika). Natężenie tych efektów automatycznie zwiększa się z chwilą nieznacznego spadku temperatury.
- Po zakończeniu gry: ze względu na bezwładność cieplną silnika wentylator działa nadal, aż temperatura spadnie poniżej poziomu, który spowodował uruchomienie wentylatora. Kierownica została tak zaprojektowana z myślą o ułatwieniu chłodzenia i zapewnieniu ochrony silnika (może to potrwać od 5 do 45 minut, w zależności od temperatury osiągniętej podczas korzystania z kierownicy w grze).

PRZYCISK I KONTROLKA MODE (6)

Przycisk MODE do zestawu pedałów

Zestaw pedałów dostarczany z kierownicą T300 RS zawiera 2 pedały.

W trakcie korzystania z zestawu pedałów jego kontrolka powinna świecić na czerwono. W przeciwnym razie pedał gazu nie będzie działał prawidłowo.

Kierownica T300 RS jest również zgodna z zestawami pedałów Thrustmaster zawierającymi 3 pedały (*do nabycia osobno*). Zestawy te umożliwiają elektroniczną zmianę pedałów przyspieszenia i sprzęgła.

W tym celu należy nacisnąć przycisk MODE (6) i przytrzymać go przez 2 sekundy.

Informacja o tym, czy pedały zostały zamienione miejscami, jest przechowywana w wewnętrznej pamięci kierownicy.

PEDAŁY GAZU I SPRZĘGŁA	Kolor kontrolki MODE (6)
NORMALNE	CZERWONY
ZAMIENIONE	ZIELONY

Inne wskazówki dotyczące przycisku MODE

Więcej informacji na temat przycisku i kontrolki MODE znajdziesz na stronie <http://ts.thrustmaster.com>. W sekcji **Updates and Downloads** kliknij **PlayStation® / Wheels / T300 RS**, a następnie wybierz **Manual/Help file**.

ZGODNOŚĆ Z PRODUKTAMI THRUSTMASTER

Podstawa kierownicy T300 RS jest zgodna z następującymi produktami:

- zdejmowanymi kierownicami Thrustmaster: „Ferrari F1 Wheel Add-on*”, „Ferrari GTE Wheel Add-on*”, „T300 RS PS Wheel”, „T500 RS GT Wheel**;
- zestawem „Base Fixed Paddle Shifters**”, umożliwiającym zamontowanie na podstawie stałych łopatek zmiany biegów;
- zestawami pedałów Thrustmaster: „T3PA** (Thrustmaster 3 Pedals Add-on) i zestawem pedałów kierownicy T500 RS;
- skrzyniami biegów Thrustmaster: „TH8A** i „TH8RS**.

* *Do nabycia osobno (więcej informacji na stronie <http://www.thrustmaster.com/products/t300rs>).*

PLIKI POMOCY I CZĘSTO ZADAWANE PYTANIA (NIEZAMIESZCZONE W NINIEJSZEJ INSTRUKCJI)

Wejźd na stronę <http://ts.thrustmaster.com>. W sekcji **Updates and Downloads** kliknij **PlayStation® / Wheels / T300 RS**, a następnie wybierz **Manual/Help file**.

POMOC TECHNICZNA

W przypadku wystąpienia problemów związanych z produktem wejdź na stronę <http://ts.thrustmaster.com> i kliknij **Technical Support (Pomoc techniczna)**. Na tej stronie dostępne są różne narzędzia (często zadawane pytania (FAQ), najnowsze wersje sterowników i oprogramowania itp.), które mogą pomóc w rozwiązaniu problemu. Jeśli problem nie ustąpi, możesz skontaktować się z działem pomocy technicznej do produktów Thrustmaster („pomoc techniczna”):

Poczta e-mail:

Chcąc skorzystać z pomocy technicznej za pośrednictwem poczty e-mail, należy najpierw zarejestrować się online. Podane informacje pomogą konsultantom w szybszym rozwiązaniu problemu. Kliknij **Registration (Rejestracja)** w lewej części strony pomocy technicznej i wykonaj instrukcje wyświetlane na ekranie. Jeśli jesteś już zarejestrowanym użytkownikiem, uzupełnij pola **Username (Nazwa użytkownika)** i **Password (Hasło)**, a następnie kliknij **Login (Zaloguj)**.

Informacje dotyczące gwarancji dla klienta

Firma Guillemot Corporation S.A. („Guillemot”) udziela klientowi obowiązującej na całym świecie gwarancji, że niniejszy produkt Thrustmaster będzie wolny od wad materiałowych i produkcyjnych przez okres gwarancji równy limitowi czasu, w którym klient może występować z roszczeniami z tytułu wad niniejszego produktu. W krajach Unii Europejskiej jest to okres dwóch (2) lat od dostarczenia produktu Thrustmaster. W innych krajach okres gwarancji jest równy limitowi czasu, w którym klient może występować z roszczeniami z tytułu wad produktu Thrustmaster zgodnie z przepisami obowiązującymi w kraju, w którym klient mieszkał w dniu zakupu produktu Thrustmaster. (Jeśli przepisy danego kraju nie przewidują występowania z takimi roszczeniami, okres gwarancji będzie wynosił jeden (1) rok od pierwotnej daty zakupu produktu Thrustmaster).

Niezależnie od powyższego akumulatory są objęte sześciomiesięcznym (6-miesięcznym) okresem gwarancji liczoną od daty pierwotnego zakupu.

Jeśli w okresie gwarancji wystąpią objawy mogące świadczyć o wadzie produktu, należy niezwłocznie skontaktować się z działem pomocy technicznej, który wskaże dalszy sposób postępowania. W razie potwierdzenia wady produkt należy zwrócić w punkcie zakupu (lub innym miejscu wskazanym przez dział pomocy technicznej).

W ramach niniejszej gwarancji wadliwy produkt zostanie naprawiony lub wymieniony, zgodnie z decyzją działu pomocy technicznej. Jeśli zezwala na to obowiązujące prawo, całkowita odpowiedzialność firmy Guillemot i jej podmiotów zależnych (łącznie z odpowiedzialnością za szkody wtórne) ogranicza się do naprawy lub wymiany produktu Thrustmaster. Jeśli zezwala na to obowiązujące prawo, firma Guillemot wyłącza wszelkie gwarancje pokupności i przydatności do określonego celu. Niniejsza gwarancja nie wpływa na prawa klienta wynikające z przepisów dotyczących sprzedaży dóbr konsumentskich.

Niniejsza gwarancja nie obowiązuje: (1) w przypadku, gdy produkt został zmodyfikowany, otwarty, zmieniony albo uszkodzony na skutek nieodpowiedniego lub nadmiernego użytkowania, niedbałości, wypadku, normalnego zużycia lub z innego powodu niezwiązanego z wadą materiałową ani produkcyjną (w tym między innymi z powodu połączenia produktu Thrustmaster z nieodpowiednim elementem, w tym w szczególności z zasilaczem, akumulatorem, ładowarką lub jakimkolwiek innym elementem niedostarczoną przez firmę Guillemot dla tego produktu); (2) w razie nieprzestrzegania instrukcji podanych przez dział pomocy technicznej; (3) w odniesieniu do oprogramowania, jako że oprogramowanie to jest objęte odrębną szczegółową gwarancją; (4) materiałów eksploatacyjnych (elementów wymienianych w czasie eksploatacji produktu, na przykład baterii jednorazowych, muszli/nakładek na uszy do zestawów słuchawkowych lub słuchawek); (5) akcesoriów (na przykład kabli, pokrowców, etui, torebek, pasków na rękę); (6) w przypadku sprzedania produktu na aukcji publicznej.

Niniejsza gwarancja nie podlega przeniesieniu.

Odpowiedzialność

Jeśli zezwala na to obowiązujące prawo, firma Guillemot Corporation S.A. („Guillemot”) i jej podmioty zależne nie ponoszą żadnej odpowiedzialności za szkody spowodowane przez co najmniej jeden z następujących czynników: (1) modyfikację lub otwarcie produktu bądź wprowadzenie w nim zmian; (2) nieprzestrzeganie instrukcji montażu; (3) nieodpowiednie lub nadmierne użytkowanie, niedbałość, wypadek (na przykład uderzenie); (4) normalne zużycie. Jeśli zezwala na to obowiązujące prawo, firma Guillemot i jej podmioty zależne nie ponoszą żadnej odpowiedzialności za szkody niezwiązane z wadą materiałową lub produkcyjną produktu (w tym między innymi za szkody spowodowane bezpośrednio lub pośrednio przez jakiegokolwiek oprogramowanie lub na skutek połączenia produktu Thrustmaster z nieodpowiednim elementem, w tym w szczególności z zasilaczem, akumulatorem, ładowarką lub jakimkolwiek innym elementem niedostarczoną przez firmę Guillemot dla tego produktu).

PRAWA AUTORSKIE

© 2014 Guillemot Corporation S.A. Wszelkie prawa zastrzeżone. Thrustmaster® jest zastrzeżonym znakiem towarowym firmy Guillemot Corporation S.A. „PS”, „PlayStation”, „PS3” i „PS4” są zastrzeżonymi znakami towarowymi firmy Sony Computer Entertainment, Inc. „PS4” jest znakiem towarowym tej samej firmy. Wszystkie inne znaki towarowe stanowią własność odpowiednich podmiotów. Ilustracje nie są wiążące prawnie. Treść, wzory i dane techniczne mogą ulec zmianie bez powiadomienia i mogą różnić się w zależności od kraju. Wyprodukowano w Chinach. Technologia TouchSense® na licencji firmy Immersion Corporation. Jest ona chroniona przez jeden lub kilka patentów USA wymienionych na stronie www.immersion.com/patent-marking.html oraz stanowi przedmiot złożonych wniosków patentowych.

ZALECENIE DOTYCZĄCE OCHRONY ŚRODOWISKA



Na terenie Unii Europejskiej: gdy okres przydatności produktu do eksploatacji dobiegnie końca, produktu nie należy pozbywać się wraz ze zwykłymi odpadami z gospodarstwa domowego, ale oddać do recyklingu w punkcie zbiórki zużytego sprzętu elektrycznego i elektronicznego. Potwierdza to symbol znajdujący się na produkcie, w instrukcji obsługi lub na opakowaniu.

Zależnie od swoich właściwości materiały zawarte w produkcie mogą nadawać się do recyklingu. Dzięki recyklingowi i innym formom utylizacji zużytych urządzeń elektrycznych i elektronicznych klient może w znacznym stopniu przyczynić się do

ochrony środowiska. Aby uzyskać informacje o najbliższych punktach zbiórki odpadów, należy skontaktować z miejscowymi władzami.

We wszystkich innych krajach: należy przestrzegać miejscowych przepisów dotyczących recyklingu sprzętu elektrycznego i elektronicznego.

Niniejsze informacje należy zachować. Kolorystyka i elementy ozdobne mogą różnić się od przedstawionych.

Przed korzystaniem z produktu należy zdjąć z niego plastikowe elementy mocujące oraz naklejki.

www.thrustmaster.com

**Dotyczy wyłącznie UE i Turcji*



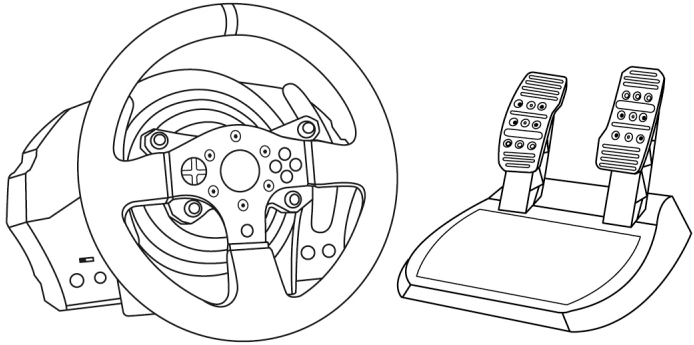
immersion.



T300RS

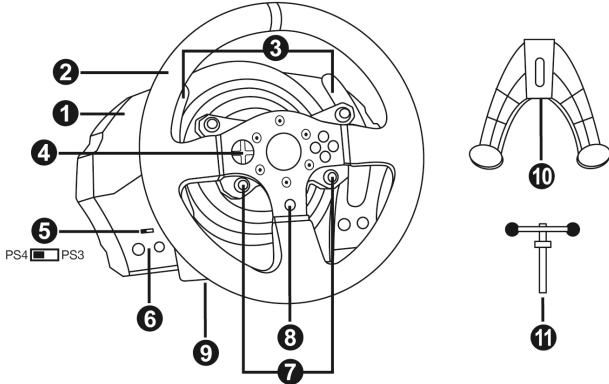
خاصة بـ PlayStation®3 – PlayStation®4

دليل المستخدم



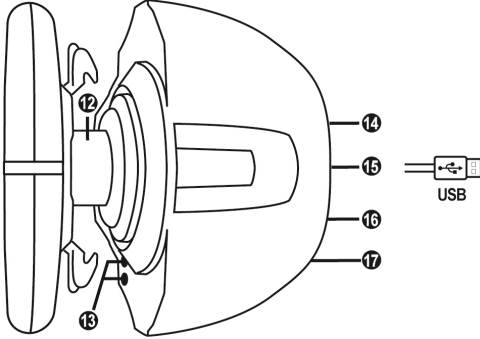
تحذير:

للتأكد من أن عجلة السباق T300RS تعمل بشكل صحيح مع ألعاب PlayStation®3 أو PlayStation®4، قد يُطلب منك تثبيت التحديثات التلقائية للألعاب (تتوفر عند توصيل وحدة التحكم في الألعاب بالإنترنت).



- 7 أزرار SELECT/START على PS3™ و
PS4™ على SHARE/OPTIONS
8 زر PS
9 ثقب ملولب كبير (لأداة التركيب وبرغي الربط)
10 أداة الربط
11 برغي تثبيت معدني

- 1 قاعدة T300RS
2 عجلة PS
3 دواسة نقل السرعة بشكل متبادل (Up & Down)
4 لوحة D متعددة الاتجاهات
5 مفتاح محدد PS4™ /PS3™ /USB
6 زر MODE + مؤشر ضوئي أحمر/أخضر



- 15 كابل وموصل USB لعجلة السباق
16 موصل ناقل السرعة (صندوق التروس)
(بياع منفصلاً)
17 موصل مجموعة الدواسة

- 12 Thrustmaster Quick Release
13 أزرار L3/R3
14 موصل مصدر الطاقة الرئيسي (النوع (أ) أو (ب))
(يختلف من بلد إلى آخر)

توصيل عجلة السباق بمقيس كهربائي: يرجى القراءة قبل المتابعة!
يختلف مصدر طاقة عجلة السباق الخاصة بك طبقاً للبلد التي اشتريت منها جهازك.
يمكن أن يكون مصدر الطاقة الرئيسي:



داخلي، مع:
* وحدة مصدر طاقة توجد مباشرة في قاعدة عجلة السباق، بموصل من النوع (أ)
كابل مصدر طاقة 220-240 فولت.
= متوافق مع مصدر كهربى 240-220 فولت.




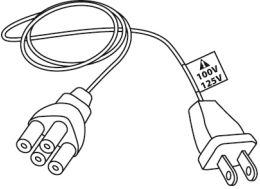

لا تقم بتوصيل كابل 240-220 فولت
بمنفذ طاقة 100-130 فولت مطلقاً!!!
لا تقم بتوصيل هذا الكابل بمهايئ طاقة لمصدر الطاقة الرئيسي
مطلقاً!!!




داخلي، مع:
* وحدة مصدر طاقة توجد مباشرة في قاعدة عجلة السباق، بموصل من النوع (أ)
* كابل مصدر طاقة 100-125 فولت.
= متوافق مع مصدر كهربى 125-100 فولت.

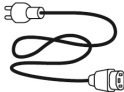
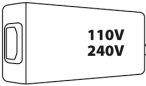

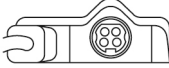



لا تقم بتوصيل كابل 125-100 فولت
بمنفذ طاقة 240-220 فولت مطلقاً!!!
لا تقم بتوصيل هذا الكابل بمهايئ طاقة لمصدر الطاقة الرئيسي!!!

هام: إذا لم تكن تعلم الجهد المدعوم في المنطقة التي تستخدم عجلة السباق بها، فيرجى الرجوع إلى الموفر المحلي للتيار الكهربى.

خارجي، مع:
* وحدة مصدر طاقة خارجية، مع موصل من النوع (ب).
* كابل مصدر طاقة رئيسية.
= متوافق مع كافة أنواع الجهد الكهربائي، من 110 إلى 240 فولت.

تحذيرات

قبل استخدام هذا المنتج، يرجى قراءة هذا الدليل بعناية والاحتفاظ به للرجوع إليه فيما بعد.

تحذير - صدمة كهربائية

- * يتم تخزين المنتج في مكان جاف مع عدم تعرضه للأتربة أو أشعة الشمس.
- * لا تقم بجدل الموصلات والكابلات أو سحبها.
- * لا تقم بسكب أي سائل على المنتج أو موصلاته.
- * لا تقم بعمل قصر في دائرة المنتج.
- * لا تقم بلك المنتج؛ ولا تلقه في لهب ولا تعرضه لدرجات حرارة مرتفعة.
- * لا تستخدم كابل مصدر طاقة غير المرفق مع عجلة السباق الخاصة بك.
- * لا تستخدم كابل مصدر طاقة رئيسية في حالة تلف الكابل أو الموصلات أو شقه أو كسره.
- * تأكد من أن كابل الطاقة الرئيسية موصل في مقيس الطاقة على النحو الصحيح، وأنه موصل على النحو الصحيح بالموصل الموجود في الجهة الخلفية من عجلة السباق.
- * لا تفتح عجلة السباق. لا توجد أجزاء قابلة للاستبدال بواسطة المستخدم بالداخل. يجب تنفيذ أي إصلاحات عن طريق الشركة المصنعة أو ممثل معتمد أو فني مؤهل.
- * لا تستخدم إلا أدوات التوصيل/الملحقات المحددة بواسطة الشركة المصنعة.
- * إذا كانت عجلة القيادة لا تعمل بشكل صحيح (تصدر أصواتًا أو حرارة أو رائحة غير عادية)، فتوقف عن استخدامها على الفور، وقم بفصل كابل الطاقة من المنفذ وقم بفصل الكابلات الأخرى.
- * إذا لم تكن ستستخدم عجلة القيادة لمدة طويلة، فقم بفصل مهايئ الطاقة الرئيسية من المنفذ الكهربائي.

فتحات الهواء

- تأكد من عدم إعاقة أي من فتحات الهواء الموجودة على قاعدة عجلة القيادة. للحصول على تهوية مثلى، يرجى الالتزام بالنقاط الواردة أدناه:
- * ضع القاعدة على مسافة لا تقل عن 10 سم من أي حائط.
 - * لا تضع القاعدة في أي أماكن ضيقة.
 - * لا تغطي القاعدة.
 - * لا تسمح بتراكم الأتربة على فتحات التهوية.

لأسباب تتعلق بالسلامة، لا تستخدم مجموعة الدواسة بقدم عارية

أو أثناء ارتداء جوارب فقط.

لا تتحمل **THRUSTMASTER®** أي مسؤولية في حالة وقوع إصابات ناتجة عن استخدام مجموعة الدواسة بدون حذاء.

تحذير - الإصابات الناتجة عن قوة رد الفعل والحركات المتكررة

قد يتسبب اللعب باستخدام رد فعل قوي لعجلة توجيه في حدوث ألم في العضلات أو المفاصل. لتجنب أي مشكلات:
* تجنب اللعب لفترات طويلة.

- * ادخل في فترة راحة من 10 إلى 15 دقيقة بعد كل ساعة من اللعب.
- * إذا شعرت بأي تعب أو ألم في اليدين أو المعصمين أو الذراعين أو القدم أو الرجلين، فتوقف عن اللعب واسترح بضع ساعات قبل بدء اللعب مرة أخرى.



تحذير - الإصابات الناتجة عن قوة رد الفعل والحركات المتكررة (متابعة)

- * إذ استمرت الأعراض أو الألم المشار إليه أعلاه عند بدء اللعب مرة أخرى، فتوقف عن اللعب واستشر طبيبك.
- * تحفظ بعيدًا عن تناول أيدي الأطفال.
- * أثناء اللعب، اترك كلتا يديك دائمًا في موضع صحيح على عجلة القيادة دون تمريرها منها بشكل كامل.
- * أثناء اللعب، لا تضع يديك أو أصابعك أسفل الدواسات أو في أي مكان بالقرب من مجموعة الدواسات.
- * أثناء المعالجة واللعب، لا تمرر يدك أو ذراعك من خلال الفتحات الموجودة في عجلة السباق.
- * تأكد من تأمين قاعدة عجلة السباق على نحو صحيح، حسب التعليمات الواردة في هذا الدليل.

منتج ثقيل الوزن



منتج يستخدم بواسطة مستخدمين لا يقل سنهم عن 16 عام

احرص على عدم إسقاط المنتج على نفسك أو على غيرك!

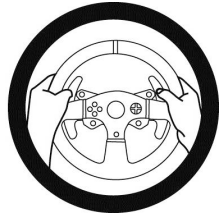
مطلقًا



مطلقًا



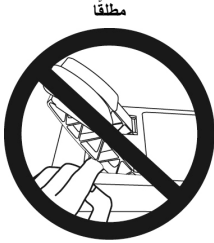
دائمًا



تحذير – خطر الضغط الشديد على مجموعة الدواسة عند اللعب



- * احتفظ بمجموعة الدواسة بعيدًا عن متناول الأطفال.
- * عند اللعب، لا تضع أصابعك على جوانب الدواسات أو في أي مكان قريب منها.
- * عند اللعب، لا تضع أصابعك على القاعدة الخلفية للدواسات أو في أي مكان قريب منها.
- * عند اللعب، لا تضع أصابعك على القاعدة الأمامية للدواسات أو في أي مكان قريب منها.



* قم بتخزين مجموعة الدواسة في مكان آمن، واحتفظ بها بعيدًا عن متناول الأطفال.

ترقية البرنامج الثابت لعجلة السباق الخاصة بك

يمكن ترقية البرنامج الثابت المضمن في قاعدة عجلة السباق الخاصة بك إلى إصدار أحدث يوفر تحسينات للمنتج.

لعرض إصدار البرنامج الثابت الموجود على عجلة السباق الخاصة بك حاليًا وتحديثه إذا لزم الأمر: على الكمبيوتر، انتقل إلى <http://ts.thrustmaster.com> في القسم **Updates and downloads**، انقر فوق **Driver / Firmware**، ثم حدد **T300RS / Wheels / PlayStation®** للتنزيل والتثبيت.

تنثيبت عجلة سباق على قاعدتها

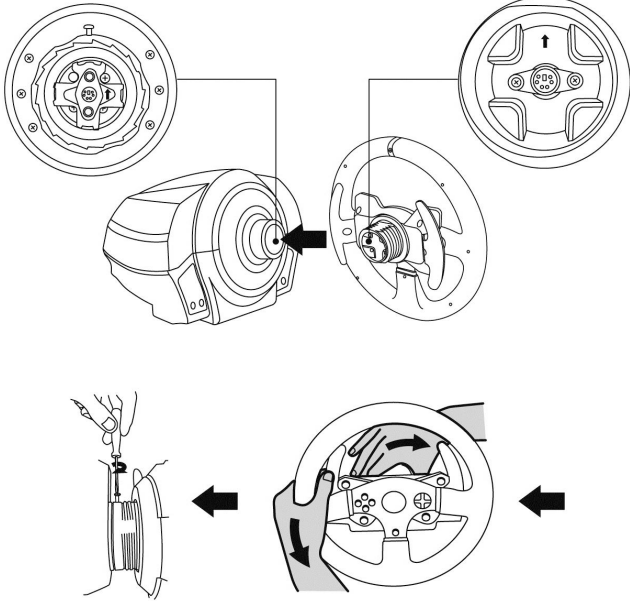
قم بمحاذاة مواقع الموصل باستخدام الأسهم:

موصل القاعدة (1): سهم يشير لأعلى

موصل عجلة السباق (2): سهم يشير لأعلى

بمجرد تحديد موضع الموصلات بنجاح، قم بتدوير حلقة الجهاز (12) Thrustmaster Quick Release عكس اتجاه عقارب الساعة، مع تنثيبت عجلة السباق (2) في موضعها.

ثم قم بربط الحلقة إلى أقصى مدى ممكن: للقيام بذلك، قم بتنثيبت الحلقة في موضعها و قم بتدوير عجلة السباق في اتجاه عقارب الساعة.



بمجرد تركيب عجلة السباق ، قم بتدويرها 180 درجة (عندما تكون في مواجهة العجلة، يجب أن ينقلب شعار PlayStation® رأسًا على عقب) للوصول إلى برغي التركيب الصغير الذي يوجد على حلقة الجهاز Thrustmaster Quick Release (12). استخدم مفك Phillips كبير لربط برغي التركيب الصغير (لا تستخدم قوة مفرطة)، ويكون الربط في اتجاه عقارب الساعة.



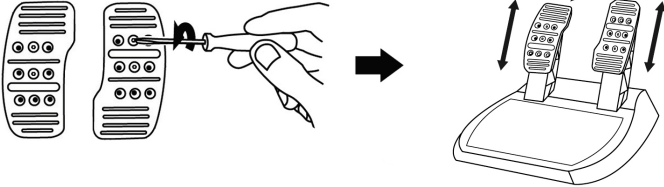
لا تستخدم قوة مفرطة عند ربط برغي التركيب الصغير

(باستخدام مفك Phillips)!

توقف عن تدوير البرغي بمجرد أن تشعر بشيء من المقاومة.

ضبط ارتفاع وتباعد الدواسة

- باستخدام مفك Phillips (غير مضمن)، أزل برغي التركيب اللذين يثبتان رؤوس الدواسة إلى أذرع الدواسة. ثم اضبط ارتفاع رؤوس الدواسة والتباعد لتناسب أسلوب القيادة المفضل لديك:
- يتوفر 6 أوضاع مختلفة لدواسة البنزين.
 - يتوفر 6 أوضاع مختلفة لدواسة الفرملة.

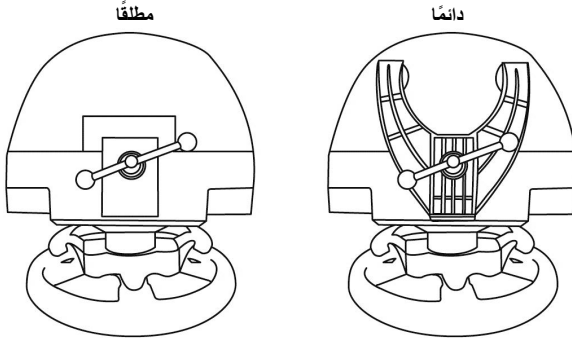


عندما تكون راضيًا عن الارتفاع والتباعد، استبدل برغي التركيب اللذين يثبتان رؤوس الدواسة إلى أذرع الدواسة وأعد تثبيتهما.

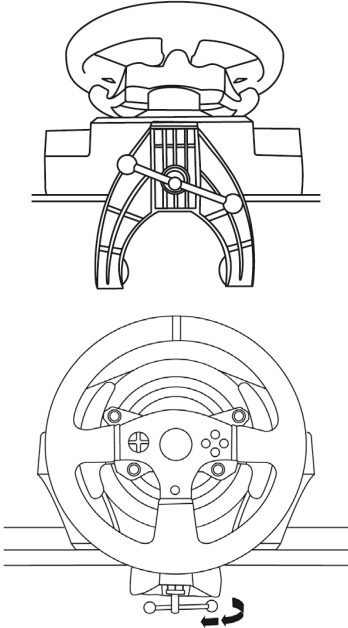
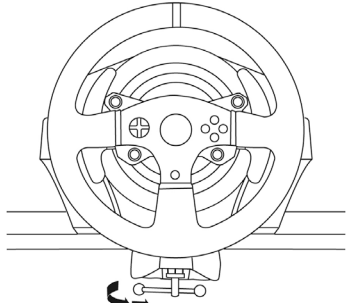
تركيب عجلة السباق

تركيب عجلة السباق على طاولة أو سطح مكتب

1. ضع عجلة السباق على طاولة أو أي سطح آخر أفقي ومستوي ومترن.
2. أدخل برغي التثبيت (11) في أداة الربط (10) ثم قم بإحكام الجهاز عن طريق تدوير البرغي في عكس اتجاه عقارب الساعة، بحيث يدخل في النقب الكبير المملولب (9) الموجود أسفل عجلة السباق، حتى تستقر العجلة تمامًا.



تحذير: لا تقم مطلقًا بربط البرغي بمفرده، دون أداة الربط! (قد يؤدي ذلك إلى تلف عجلة القيادة).

الاتجاه	التركيب/ الإزالة
	<p>للربط</p> <p>تدوير البرغي عكس اتجاه عقارب الساعة</p>
	<p>للفك</p> <p>تدوير البرغي في اتجاه عقارب الساعة</p>

تركيب قاعدة عجلة السباق في مقصورة

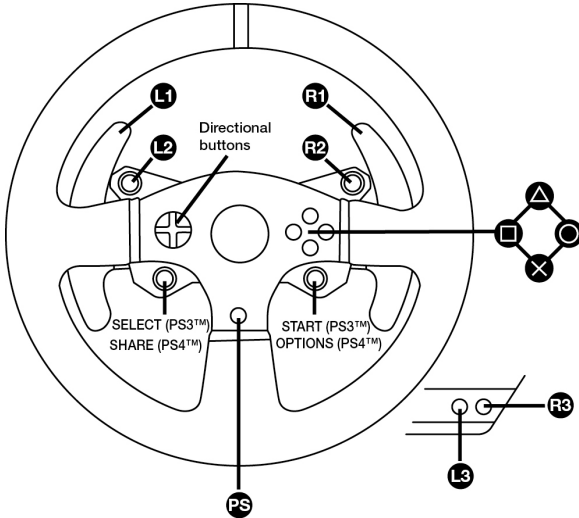
1. ضع قاعدة عجلة السباق على رف المقصورة.
2. أدخل برغيين M6 (غير مضمنين) من خلال رف المقصورة، ثم أدخلهم في سني اللولب الصغيرين الموجودين أسفل عجلة السباق
هام: يجب ألا يتجاوز طول البرغيين M6 سمك الرف + 12 مم؛ حيث قد يؤدي استخدام براغي أطول إلى حدوث تلف في المكونات الداخلية الموجودة في قاعدة عجلة السباق.
3. إذا لزم الأمر، قم بربط أداة التركيب القياسية عن طريق إدخال برغي التثبيت في الثقب الكبير الملولب.

تركيب مجموعة الدواسة في مقصورة

1. قم بتركيب مجموعة الدواسة باستخدام سنون اللولب الصغيرة الموجودة أسفلها.
2. أدخل برغيين M6 (غير مضمنين) من خلال رف المقصورة، ثم أدخلهم في سني اللولب الصغيرين الموجودين أسفل مجموعة الدواسة.
هام: يجب ألا يتجاوز طول البرغيين M6 سمك الرف + 10 مم؛ حيث قد يؤدي استخدام براغي أطول إلى حدوث تلف في المكونات الداخلية الموجودة في قاعدة مجموعة الدواسة.

تتوفر مخططات تخطيط المتصولات (لوضع قاعدة عجلة السباق و/أو مجموعة الدواسة) على <http://ts.thrustmaster.com> في قسم Updates and Downloads، انظر فوق Manual/Help file ثم حدد T300RS / Wheels / PlayStation®

تخطيط PlayStation®3 و PlayStation®4



إعداد عجلة السباق الخاصة بك لـ PS3 أو PS4

1. قم بتوصيل مجموعة الدواسة بالموصل (17) الموجود خلف قاعدة عجلة السباق.
 2. قم بتوصيل كابل مصدر الطاقة بالموصل (14) الموجود خلف قاعدة عجلة السباق.
 3. قم بتوصيل كابل مصدر الطاقة بمنفذ رئيسي بمواصفات جهد مناسبة.
- للوصول على مزيد من المعلومات، يرجى الرجوع إلى قسم توصيل عجلة السباق إلى منفذ كيربي، في الصفحة 3 من هذا الدليل.**



4. اضبط مفتاح محدد USB (5) الموجود على قاعدة عجلة السباق على الوضع PS3™ أو PS4™، حسب وحدة التحكم أو اللعبة التي تستخدمها.
5. قم بتوصيل موصل USB الخاصة بعجلة السباق (15) بأحد منافذ USB لوحدة التحكم.
6. بمجرد تشغيل وحدة التحكم، سوف تقوم عجلة السباق بالمعايرة الذاتية تلقائيًا.
7. في PS4 PlayStation (عندما يكون مفتاح محدد USB مضبوطًا على الوضع PS4™): اضغط على زر PS في عجلة السباق (8) وقم بتسجيل الدخول إلى ملف تعريف اللاعب Sony Entertainment Network لتستطيع استخدام العجلة.

أنت الآن مستعد للعب!

ملاحظات هامة:

- يجب دائمًا ضبط مفتاح محدد USB (5) الموجود على قاعدة عجلة السباق على الوضع الصحيح (PS3™ أو PS4™) قبل توصيل كابل USB الخاص بالعجلة بوحدة التحكم. لتغيير وضع المحدد، افصل كابل USB من وحدة التحكم ثم غير وضع المفتاح قبل إعادة توصيل كابل USB بوحدة التحكم.
 - في PS3 PlayStation، يجب ضبط مفتاح محدد USB (5) دائمًا على وضع PS3™:
 - * تُعرف العجلة في معظم الألعاب على أنها عجلة T500RS.
 - * تعمل العجلة في الألعاب المتوافقة وفي قوائم وحدات التحكم.
 - * تعمل الوظيفة "PS" على العجلة.
 - في PS4 PlayStation، باستخدام مفتاح محدد USB (5) في الوضع PS3™:
 - * تُعرف العجلة في معظم الألعاب على أنها عجلة T500RS.
 - * تقوم العجلة بوظائفها في الألعاب المتوافقة وليس في قوائم وحدات التحكم.
 - * لا تعمل الوظائف "SHARE" و "PS" على العجلة.
 - في PS4 PlayStation، باستخدام مفتاح محدد USB (5) في الوضع PS4™:
 - * لا تنس الضغط على زر PS على عجلة السباق (8) لتستطيع استخدام العجلة.
 - * تُعرف العجلة في معظم الألعاب على أنها عجلة T300RS.
 - * تعمل العجلة في الألعاب المتوافقة وفي قوائم وحدات التحكم.
 - * تعمل الوظائف "SHARE" و "PS" على العجلة.
 - تتوفر قائمة بالألعاب PS3 PlayStation و PS4 PlayStation المتوافقة مع T300RS (بالإضافة إلى الوضع المطلوب لمفتاح محدد USB (5) وفقًا للعبة الجاري تشغيلها) على:
<http://ts.thrustmaster.com/Updates and Downloads> (في القسم "في القسم")
(انقر فوق T300RS / Wheels / PlayStation).
- يتم تحديث هذه القائمة بانتظام

إعداد عجلة السباق للكمبيوتر

ملاحظة هامة:

على الكمبيوتر، يجب تعيين المفتاح USB المنزلق (5) الموجود على قاعدة عجلة السباق إلى الوضع PS3™ دانما.

1. انتقل إلى <http://ts.thrustmaster.com> لتنزيل برامج التشغيل وبرامج رد فعل القوة للكمبيوتر. في قسم Updates and Downloads (التحديثات والتنزيلات)، انقر فوق PC / Wheels / T300 RS (كمبيوتر / عجلات / T300 RS)، ثم حدد Drivers (برامج التشغيل).

2. بمجرد اكتمال التنزيل، قم بتشغيل التثبيت، واتبع التعليمات على الشاشة لتوصيل قابس USB الخاص بالعجلة في الكمبيوتر وإتمام التثبيت.

3. بمجرد اكتمال التثبيت، انقر فوق Finish (إنهاء) وقم بإعادة تشغيل الكمبيوتر الخاص بك.

4. حدد Start / All Programs / Thrustmaster / FFB Racing Wheel / Control Panel (البداية / كافة البرامج / FFB Racing Wheel / Thrustmaster / لوحة التحكم) لفتح نافذة Game Controllers (وحدات التحكم بالألعاب).

تعرض نافذة Game Controllers (وحدات التحكم بالألعاب) اسم عجلة السباق T300 RS Racing Wheel بالحالة OK (تم).

5. انقر فوق (خصائص) لتكوين العجلة الخاصة بك في لوحة التحكم :
• علامة تبويب Test Input (اختبار الإدخال): تتيح اختبار أزرار الإجراءات وأزرار الاتجاهات ومحاور العجلة والدواسات وعرضها، وضبط زاوية دوران العجلة في ألعاب الكمبيوتر الخاصة بك.
• علامة تبويب Test Forces (اختبار القوى): تتيح اختبار 12 مؤثر لرد فعل القوة.
• علامة تبويب Gain Settings (إعدادات الاكتساب): تتيح ضبط طاقة تأثيرات رد فعل القوة في ألعاب الكمبيوتر.

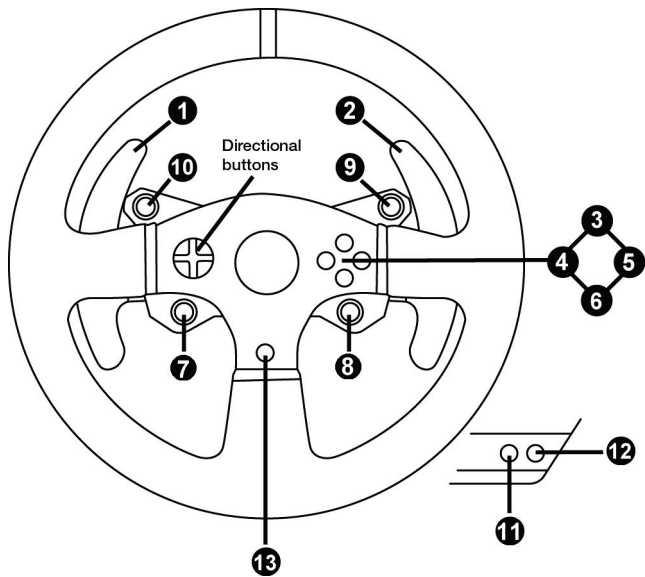
أنت الآن مستعد للعب!

ملاحظات عامة:

- على الكمبيوتر انقر فوق OK (موافق) لإغلاق نافذة Game Controllers (وحدات التحكم بالألعاب) قبل تشغيل اللعبة.

- على الكمبيوتر، سيتم حفظ عمليات الضبط التي يتم إجراؤها في نافذة Game Controllers (وحدات التحكم بالألعاب) على الكمبيوتر الخاص بك فقط (ومن ثم لن تؤثر على PlayStation®3 أو PlayStation®4).

- يتم عرض إصدار البرنامج الثابت للعجلة في الركن العلوي الأيمن في علامات تبويب لوحة تحكم T300 RS.



المعايرة التلقائية لعجلة السباق ومجموعة الدواسة

تعمل عجلة السباق على إجراء معايرة ذاتية تلقائيًا عند توصيل عجلة السباق بمصدر الطاقة الرئيسية وموصل USB لعجلة السباق بوحدة التحكم. خلال هذه المرحلة، ستدور عجلة السباق بسرعة باتجاه اليمين واليسار، وتغطية زاوية 900 درجة قبل التوقف في المنتصف.



تحذير:

لا تقم مطلقًا بلمس عجلة السباق أثناء مرحلة المعايرة الذاتية!
(قد يتسبب ذلك في إجراء معايرة غير صحيحة و/أو إصابات شخصية)

المعايرة التلقائية لمجموعة الدواسة

لا تقم مطلقًا بتوصيل مجموعة الدواسة بقاعدة عجلة السباق (أو فصلها من القاعدة) عند توصيلها بوحدة التحكم أثناء اللعب (قد يؤدي ذلك إلى إجراء معايرة غير صحيحة).
قم دائمًا بتوصيل مجموعة الدواسة قبل توصيل عجلة السباق بوحدة التحكم.
بمجرد إتمام معايرة عجلة السباق وبدء اللعبة، يتم إجراء معايرة الدواسة تلقائيًا بعد الضغط عليها بضع مرات.



تحذير:

لا تضغط مطلقًا على الدواسة
خلال مرحلة المعايرة الذاتية لعجلة السباق أو أثناء تحميل اللعبة!
(قد يتسبب ذلك في إجراء معايرة غير صحيحة)

إذا لم تعمل عجلة السباق ومجموعة الدواسة بشكل صحيح، أو إذا بدا أن المعايرة غير صحيحة:
قم بإيقاف تشغيل وحدة التحكم الخاصة بك، وقم بفصل عجلة السباق بالكامل. وقم بإعادة توصيل كافة الكابلات (باستخدام كابل مصدر الطاقة الرئيسية ومجموعة الدواسة)، ثم قم بإعادة تشغيل وحدة التحكم واللعبة الخاصة بك.

مستشعر الحرارة الداخلية

- يتكون نظام تبريد عجلة السباق من مجرى حراري ومروحة.
- منظم حرارة لمراقبة درجة الحرارة الداخلية لعجلة السباق.
 - عند استخدام عجلة السباق في لعبة:
 - يتم تشغيل مروحة التبريد عندما تصل درجة حرارة عجلة السباق إلى درجة حرارة معينة. (= بعد بضع دقائق من اللعب، حسب تأثيرات قوة رد الفعل المستخدمة).
 - تقل تأثيرات قوة رد الفعل تلقائيًا بمجرد وصول عجلة السباق إلى درجة حرارة أعلى (لحماية المحرك). تقل قوة هذه التأثيرات بمجرد انخفاض درجة الحرارة قليلًا.
 - عند الانتهاء من اللعب: نظرًا لاستمرار ارتفاع درجة حرارة المحرك، تبقى مروحة التبريد قيد التشغيل حتى تنخفض درجة الحرارة لأقل من مستوى تشغيل المروحة. تم تصميم العجلة الخاصة بك بهذه الطريقة لتسهيل التبريد وحماية المحرك. (= قد يستغرق ذلك من 5 دقائق إلى 45 دقيقة، حسب درجة الحرارة التي وصل إليها المحرك أثناء استخدام العجلة في لعبة)

زر MODE ومصباح المؤشر (6)

زر MODE لمجموعة الدواساة

توفر مجموعة الدواساة المرفقة مع عجلة السباق T300RS دواستين عند استخدام مجموعة الدواساة هذه، تأكد من بقاء مصباح المؤشر باللون الأحمر، وإلا فلن تعمل دواساة السرعة بشكل صحيح.

كما أن T300RS متوافقة مع مجموعة دواساة Thrustmaster التي توفر 3 دواسات (تباع بشكل منفصل)؛ حيث يمكنك ذلك من التبديل الإلكتروني لدواساة السرعة والقابض. للقيام بذلك، ما عليك إلا الضغط على الزر (6) MODE لمدة ثانيتين. تعمل الذاكرة الداخلية لعجلة السباق على تخزين ما إذا كان يتم التبديل بين الدواسات أم لا.

لون مصباح مؤشر MODE (6)	دواستي السرعة والقابض
أحمر	عادي
أخضر	إمكانية التبديل

تلميحات أخرى حول الزر MODE

لمعرفة المزيد حول زر MODE ومصباح المؤشر، يرجى الانتقال إلى <http://ts.thrustmaster.com>. في قسم **Updates and Downloads**، انقر فوق **T300RS / Wheels / PlayStation® Manual/Help file**.

التوافق مع نظام الاتصال المشترك لمنتجات THRUSTMASTER

تتوافق قاعدة T300RS مع:

- عجلات Thrustmaster التالية القابلة للفصل: "Ferrari F1 Wheel Add-on" و "Ferrari GTE" و "Wheel Add-on" و "T300RS PS Wheel" و "T500RS GT Wheel".
- طاقم "Base Fixed Paddle Shifters"، الذي يسمح لك بتركيب مبدلات للدواساة على القاعدة.
- مجموعات الدواساة Thrustmaster التالية: "T3PA" (المكون الإضافي لدواسات 3 Thrustmaster) ومجموعة دواساة عجلة السباق T500RS.
- نواقل السرعة Thrustmaster التالية (صناديق التروس): "TH8A" و "TH8RS".

*تباع منفصلة (لمزيد من المعلومات، يرجى زيارة

<http://www.thrustmaster.com/products/t300rs>).

ملفات التعليمات والأسئلة المتداولة (لم يتم تضمينها في هذا الدليل)

يرجى زيارة <http://ts.thrustmaster.com> وفي قسم **Updates and Downloads**، انقر فوق **Manual/Help file**، وحدد **T300RS / Wheels / PlayStation®**

الدعم الفني

إذا واجهت مشكلة مع المنتج الخاص بك، فيرجى الانتقال إلى <http://ts.thrustmaster.com> وتحديد اللغة. فمن هناك ستتمكن من الوصول إلى الأدوات المساعدة المتنوعة (الأسئلة الشائعة، أحدث إصدارات برامج التشغيل والبرامج) التي قد تساعدك في حل مشكلتك. إذا استمرت المشكلة، فيمكنك الاتصال بخدمة الدعم الفني لمنتجات Thrustmaster ("الدعم الفني"):

عن طريق البريد الإلكتروني:

للاصول إلى الدعم الفني الخاص بنا عبر البريد الإلكتروني، يجب أن تقوم أولاً بالتسجيل عبر الإنترنت على موقع <http://ts.thrustmaster.com/>. حيث ستساعد المعلومات التي ستقدمها الفنيين في حل مشكلتك في أسرع وقت ممكن.

انقر فوق **Product Registration (تسجيل المنتج)** واتبع التعليمات المعروضة على الشاشة. إذا قمت بتسجيل المنتج بالفعل، فيرجى إدخال معلومات المستخدم في الحقول **Username (اسم المستخدم)** و **Password (كلمة المرور)** ثم انقر فوق **Login (تسجيل الدخول)**.

معلومات ضمان المستهلك

تضمن شركة Guillemot Corporation S.A. العالمية (المشار إليها فيما بعد باسم "Guillemot") للمستهلك أن يكون منتج Thrustmaster هذا خالياً من عيوب المواد و عيوب التصنيع، طوال مدة فترة الضمان التي تتوافق مع الفترة المحددة التي يمكن خلالها المطالبة بالمطابقة لاسترداد قيمة هذا المنتج أو استبداله. في دول الاتحاد الأوروبي، يسري هذا لمدة (2) عامين من تاريخ استلام المنتج Thrustmaster. وفي دول أخرى، تتوافق فترة الضمان مع الفترة المحددة للمطالبة بمطابقة المنتج Thrustmaster وفقاً للقوانين المعمول بها في الدولة التي كان يقطن بها المستهلك عند تاريخ شراء المنتج Thrustmaster (في حالة عدم المطالبة في الدولة المعنية، ستكون فترة الضمان عام (1) واحد من تاريخ الشراء الأصلي للمنتج Thrustmaster).

مع عدم الإخلال بما تقدم، يشمل الضمان البطاريات القابلة لإعادة الشحن لمدة ستة (6) أشهر من تاريخ البيع الأصلي. وإذا ظهر أن المنتج معيباً خلال فترة الضمان، فاتصل على الفور بالدعم الفني الذي سيرشدك إلى الإجراءات التي يجب أن تتبعها. وإذا تم التأكد من وجود العيب، فيجب إعادة المنتج إلى مكان شراؤه (أو أي موقع آخر يشير إليه الدعم الفني). وفي سياق هذا الضمان، يجب إصلاح المنتج المعيب الخاص بالمستهلك أو استبداله، وذلك حسب اختيار الدعم الفني. تقتصر المسؤولية الكاملة لشركة Guillemot وفروعها (بما في ذلك الأضرار التبعية) على إصلاح المنتج Thrustmaster أو استبداله، وذلك عندما يكون هذا جائزاً بموجب القانون الساري. تخلي شركة Guillemot مسؤوليتها عن أي ضمانات خاصة بالتجارة أو الملاءمة لغرض معين، وذلك عندما يكون هذا جائزاً بموجب القانون الساري. لا يؤثر هذا الضمان على الحقوق القانونية للمستهلك بمقتضى القوانين المطبقة على بيع السلع الاستهلاكية. لا يسري هذا الضمان: (1) إذا تم تعديل المنتج أو فتحه أو تغييره أو إذا تعرضت للتلف نتيجة للاستخدام السبيى أو غير الملائم أو الإهمال أو حادث أو الإهلاك نتيجة الاستعمال العادي، أو أي سبب آخر لا يرتبط بوجود عيب في المواد أو التصنيع (بما في ذلك، على سبيل المثال لا الحصر، تجميع منتج Thrustmaster بواسطة أي عنصر غير مناسب، بما في ذلك على وجه الخصوص وحدات الإمداد بالطاقة أو البطاريات القابلة لإعادة الشحن أو الشواحن أو أي عناصر أخرى لا يتم توريدها من خلال Guillemot لهذا المنتج)؛ (2) في حالة عدم الالتزام بالتعليمات المقدمة من قبل الدعم الفني؛ (3) على البرامج، حيث تخضع هذه البرامج لضمان محدد؛ (4) على العناصر الاستهلاكية (العناصر التي يتم استهلاكها خلال فترة عمر المنتج: كالكابلات والعلب والحافظات والمقائب وأربطة المعصم)؛ (6) إذا تم بيع المنتج في مزاد علني. هذا الضمان غير قابل للتحويل.

المسؤولية

تخلي شركة Guillemot Corporation S.A. (المشار إليها فيما بعد باسم "Guillemot") وفروعها مسؤوليتها كاملة عن أي أضرار تنتج عن حالة أو أكثر من الحالات التالية، إذا كان هذا جائزاً بموجب القانون الساري: (1) تعديل المنتج أو فتحه أو تغييره؛ (2) عدم الالتزام بتعليمات المجموعة؛ (3) الاستخدام السبيى أو غير الملائم أو الإهمال أو التعرض لحادث (تصادم، على سبيل المثال)؛ (4) الإهلاك الناتج عن الاستعمال العادي. تخلي شركة Guillemot وفروعها كافة مسؤوليتها عن أي أضرار لا ترتبط بعيب في المواد أو التصنيع يتعلق بالمنتج (متصفاً، على سبيل المثال لا الحصر، أي أضرار تحدث بشكل مباشر أو غير مباشر بسبب أي برنامج أو عن طريق دمج منتج Thrustmaster مع أي عنصر غير مناسب، بما في ذلك على وجه الخصوص وحدات الإمداد بالطاقة أو البطاريات القابلة لإعادة الشحن أو الشواحن أو أي عناصر أخرى لا يتم توريدها من خلال Guillemot لهذا المنتج)، إذا كان هذا جائزاً بموجب القانون الساري.

حقوق النشر

© 2014 Guillemot Corporation S.A. جميع الحقوق محفوظة® Thrustmaster. هي علامة تجارية مسجلة لشركة Guillemot Corporation S.A. "PS" و "PlayStation" و "PS3" و "PS4" هي علامات تجارية مسجلة لشركة Sony Computer Entertainment, Inc. هي علامة تجارية للشركة نفسها. كافة العلامات التجارية الأخرى مملوكة لأصحابها المعنيين. الرسوم التوضيحية غير ملزمة. وتخضع المحتويات والتصميمات والمواصفات للتغيير دون إشعار وقد تختلف من بلد إلى آخر. صنع في الصين.

تقنية® TouchSense مرخصة من شركة Immersion Corporation وهي محمية بموجب براءة اختراع واحدة أو أكثر في الولايات المتحدة على العنوان التالي: www.immersion.com/patent-marking.html، وبراءات اختراع أخرى معلقة.

توصيات الحماية البيئية

في الاتحاد الأوروبي: عند انتهاء صلاحية المنتج، يجب عدم التخلص منه مع النفايات المنزلية العادية، لكن يوضع في نقطة تجميع خاصة بالتخلص من نفايات المعدات الكهربائية والإلكترونية (WEEE).



ويؤكد ذلك الرمز الموجود على المنتج أو دليل المستخدم أو الغلاف. يمكن إعادة تدوير المواد، على حسب خصائصها. من خلال إعادة التدوير والأشكال الأخرى لمعالجة نفايات المعدات الكهربائية والإلكترونية، يمكنك المشاركة بفعالية في المساعدة على حماية البيئة.

يرجى الاتصال بالسلطات المحلية لديك للحصول على معلومات حول نقطة التجميع الأقرب إليك.

بالنسبة لكافة البلدان الأخرى: يرجى الالتزام بقوانين إعادة التدوير المحلية الخاصة بالمعدات الكهربائية والإلكترونية.

احتفظ بهذه المعلومات. قد تختلف الألوان والزرخارف. يجب إزالة المواد المثبتة واللصقة من المنتج قبل استخدامه.

www.thrustmaster.com

*ينطبق على الاتحاد الأوروبي وتركيا فقط



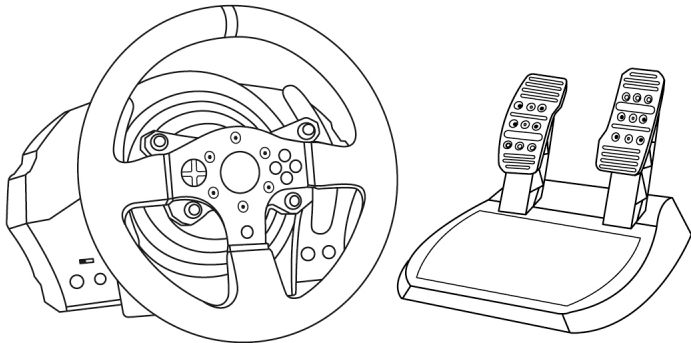
immersion.



T300RS

FOR PLAYSTATION®3 – PLAYSTATION®4 SYSTEMS

User Manual



WARNING:

To ensure that your T300 RS racing wheel functions correctly with games for PlayStation®3 or PlayStation®4 systems, you may be required to install the games' automatic updates (available when your console is connected to the Internet).

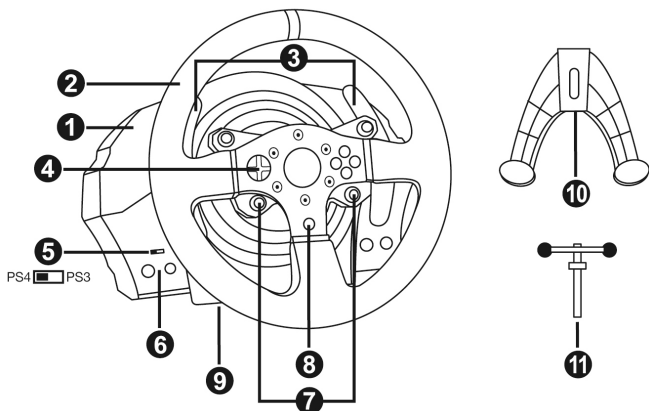
ENGLISH

ESPAÑOL

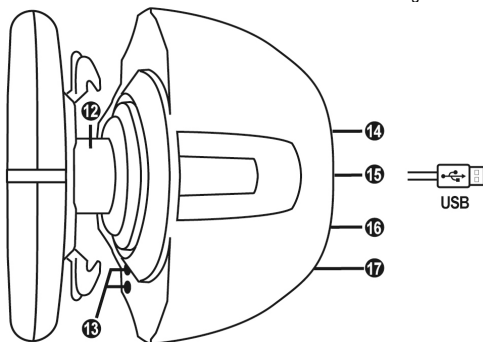
FRANÇAIS

PORTUGUÊS

TECHNICAL FEATURES



- | | |
|--|---|
| 1 T300 RS base | 7 SELECT/START buttons on PS3™ and SHARE/OPTIONS on PS4™ |
| 2 PS wheel | 8 PS button |
| 3 2 sequential paddle shifters (Up & Down) | 9 Large threaded hole (for attachment system and fastening screw) |
| 4 Directional buttons | 10 Attachment system |
| 5 PS4™ or PS3™ USB sliding switch | 11 Metal fastening screw |
| 6 MODE button + red/green indicator light | |



- | | |
|--|--|
| 12 Thrustmaster Quick Release | 15 Racing wheel USB cable and connector |
| 13 L3/R3 buttons | 16 Shifter (gearbox) connector
<i>(sold separately)</i> |
| 14 Power supply connector (type A or B)
<i>(varies from one country to another)</i> | 17 Pedal set connector |

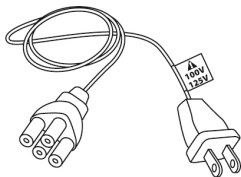
PLUGGING THE RACING WHEEL INTO AN ELECTRICAL OUTLET: PLEASE READ BEFORE PROCEEDING!

Your racing wheel's power supply varies according to the country where you purchased your device.
The power supply can be:

US-Canada-Mexico

Internal, with:

- * a power supply unit located directly inside the racing wheel's base, with a type A connector.
 - * a 100-125 V power supply cable.
- = compatible with 100-125 V electrical power.



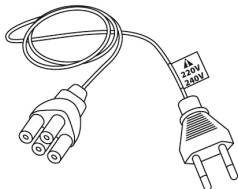
**Never connect the 100-125 V cable
to a 220-240 V electrical outlet!!!
Never connect this cable to a power adapter!!!**



Latin America

Internal, with:

- * a power supply unit located directly inside the racing wheel's base, with a type A connector.
 - * a 220-240 V power supply cable.
- = compatible with 220-240 V electrical power.



**Never connect the 220-240 V cable
to a 100-130 V electrical outlet!!!
Never connect this cable to a power adapter!!!**

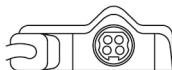
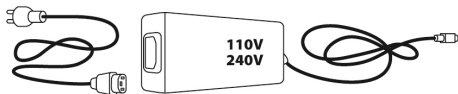


IMPORTANT: if you do not know which voltage is supplied in the area in which you are using your racing wheel, please ask your local electricity supplier.

Brazil-Chile

External, with:

- * an external power supply unit, with a type B connector.
 - * a power supply cable.
- = compatible with all electrical voltages, from 110-240 V.



WARNINGS

Before using this product, please read this manual carefully and save it for later reference.



Warning – Electrical shock

- * Keep the product in a dry location and do not expose it to dust or sunlight.
- * Do not twist or pull on the connectors and cables.
- * Do not spill any liquid on the product or its connectors.
- * Do not short-circuit the product.
- * Never dismantle the product; do not throw it onto a fire and do not expose it to high temperatures.
- * Do not use a power supply cable other than the one provided with your racing wheel.
- * Do not use the power supply cable if the cable or its connectors are damaged, split or broken.
- * Make sure that the power supply cable is properly plugged into an electrical outlet, and properly connected to the connector at the rear of the racing wheel's base.
- * Do not open up the racing wheel: there are no user-serviceable parts inside. Any repairs must be carried out by the manufacturer, its authorized representative or a qualified technician.
- * Only use attachment systems/accessories specified by the manufacturer.
- * If the racing wheel is operating abnormally (if it is emitting any abnormal sounds, heat or odors), stop using it immediately, unplug the power supply cable from the electrical outlet and disconnect the other cables.
- * If you will not be using the racing wheel for an extended period of time, unplug its power supply cable from the electrical outlet.



Air vents

Make sure not to block any of the air vents on the racing wheel's base. For optimal ventilation, make sure to do the following:

- * Position the wheel's base at least 10 cm away from any wall surfaces.
- * Do not place the base in any tight spaces.
- * Do not cover the base.
- * Do not let any dust build up on the air vents.



For safety reasons, never use the pedal set with bare feet or while wearing only socks on your feet.

THRUSTMASTER® DISCLAIMS ALL RESPONSIBILITY IN THE EVENT OF INJURY RESULTING FROM USE OF THE PEDAL SET WITHOUT SHOES.



Warning – Injuries due to Force Feedback and repeated movements

Playing with a Force Feedback racing wheel may cause muscle or joint pain. To avoid any problems:

- * Avoid lengthy gaming periods.
- * Take 10 to 15 minute breaks after each hour of play.
- * If you feel any fatigue or pain in your hands, wrists, arms, feet or legs, stop playing and rest for a few hours before you start playing again.



Warning – Injuries due to Force Feedback and repeated movements (continued)

- * If the symptoms or pain indicated above persist when you start playing again, stop playing and consult your doctor.
- * Keep out of children's reach.
- * During gameplay, always leave both hands correctly positioned on the wheel without letting it go completely.
- * During gameplay, never place your hands or your fingers under the pedals or anywhere near the pedal set.
- * During calibration and gameplay, never place your hand or your arm through the openings in the racing wheel.
- * Make sure that the racing wheel's base is properly secured, as per this manual's instructions.



Product to be handled only by users
16 years of age or older

HEAVY PRODUCT



Be careful not to drop the product on
yourself or on anyone else!

ALWAYS



NEVER



NEVER





Warning – Pedal set pinch hazard when playing

- * Keep the pedal set out of children's reach.
- * During gameplay, never place your fingers on or anywhere near the sides of the pedals.
- * During gameplay, never place your fingers on or anywhere near the pedals' rear base.
- * During gameplay, never place your fingers on or anywhere near the pedals' front base.



Warning – Pedal set pinch hazard when not playing

- * Store the pedal set in a safe place, and keep it out of children's reach.

UPDATING YOUR RACING WHEEL'S FIRMWARE

The firmware included in your racing wheel's base can be updated to a more recent version featuring product enhancements.

To display the firmware version that your racing wheel is currently using and update it if required: on PC, visit <http://ts.thrustmaster.com>. In the **Updates and Downloads** section, click **PlayStation® / Wheels / T300 RS**, then select **Driver/Firmware** and follow the instructions describing the download and installation procedure.

INSTALLING THE RACING WHEEL ON ITS BASE

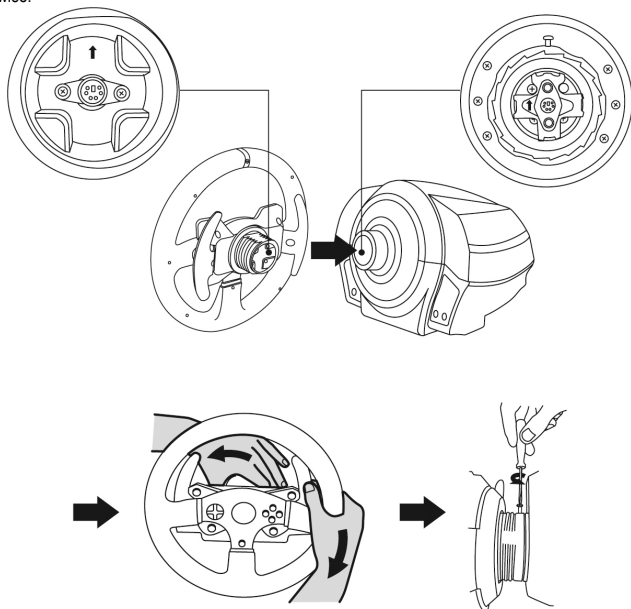
Align the connector positions using the arrows:

Base (1) connector: Arrow pointing upwards

Racing wheel (2) connector: Arrow pointing upwards

Once the connectors are correctly positioned, simply rotate the Thrustmaster Quick Release (12) device's ring counterclockwise, while holding the racing wheel (2) in position.

Then, tighten the ring as much as you can: to do so, hold the ring in position and rotate the racing wheel clockwise.



Once you have installed the racing wheel, rotate it 180° (when facing the wheel, the PlayStation® logo should be upside down) to access the small attachment screw located on the ring of the Thrustmaster Quick Release (12) device. Use a large Phillips screwdriver to tighten the small attachment screw (do not use excessive force), turning it clockwise.



**Do not use excessive force when tightening the small attachment screw
(using a Phillips screwdriver)!**

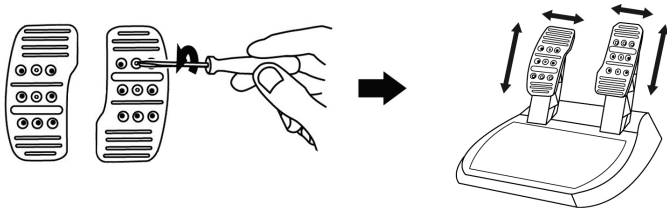
Stop turning the screw as soon as you feel some resistance.

ADJUSTING THE PEDALS' HEIGHT AND SPACING

Using a Phillips screwdriver (not included), remove the 2 attachment screws holding the pedal heads to the pedal arms.

Next, adjust the pedal heads' height and spacing to suit your preferred driving style:

- 6 different positions are available for the gas pedal.
- 6 different positions are available for the brake pedal.

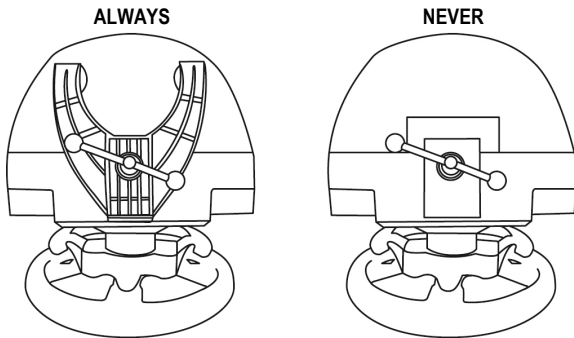


Once you are happy with the height and spacing, replace and re-tighten the 2 attachment screws holding the pedal heads to the pedal arms.

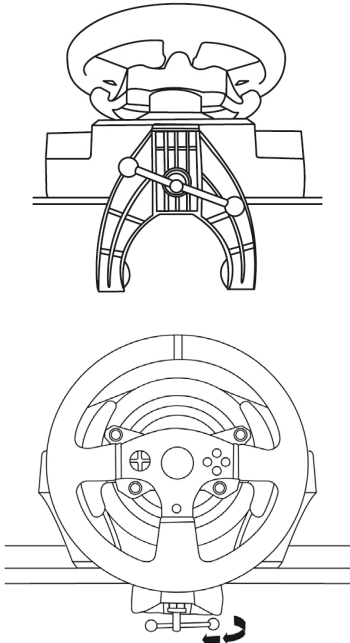
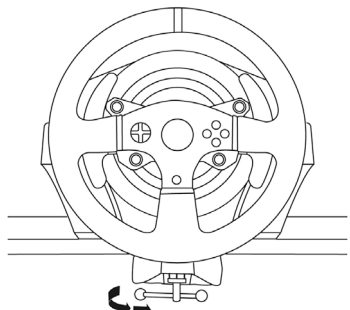
ATTACHING THE RACING WHEEL

Attaching the racing wheel to a table or a desktop

1. Place the racing wheel on a table or any other horizontal, flat and stable surface.
2. Insert the fastening screw (11) in the attachment system (10), then tighten the device by turning the screw counterclockwise, so that it feeds into the large threaded hole (9) located beneath the racing wheel, until the wheel is perfectly stable.



WARNING: Never tighten the screw alone, without the attachment system in place!
(This could damage the racing wheel.)

ATTACHMENT / REMOVAL	DIRECTION
<p><u>To tighten:</u></p> <p><i>Turn the screw counterclockwise</i></p>	
<p><u>To release:</u></p> <p><i>Turn the screw clockwise</i></p>	

Attaching the racing wheel's base to a cockpit

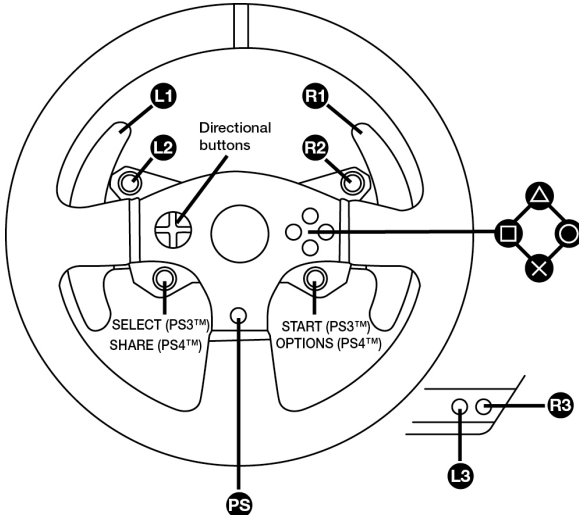
1. Place the racing wheel's base on the cockpit shelf.
2. Drive two M6 screws (not included) through the cockpit shelf, then feed them into the two small screw threads located on the underside of the racing wheel.
Important: The length of the two M6 screws must not exceed the thickness of the shelf + 12 mm; longer screws could cause damage to internal components located in the racing wheel's base.
3. If required, tighten the standard attachment system by inserting the fastening screw in the large threaded hole.

Attaching the pedal set to a cockpit

1. Attach the pedal set using the small screw threads located on its underside.
2. Drive two M6 screws (not included) through the cockpit shelf, then feed them into the two small screw threads located on the underside of the pedal set.
Important: The length of the two M6 screws must not exceed the thickness of the shelf + 10 mm; longer screws could cause damage to internal components located in the pedal set.

Layout diagrams for cockpits (for positioning the racing wheel's base and/or the pedal set) are available at <http://ts.thrustmaster.com>; in the **Updates and Downloads** section, click **PlayStation® / Wheels / T300 RS**, then select **Manual/Help file**.

PLAYSTATION®3 AND PLAYSTATION®4 MAPPING



SETTING UP THE RACING WHEEL FOR PLAYSTATION®3 OR PLAYSTATION®4 SYSTEMS

1. Connect the pedal set to the connector (17) located at the back of the racing wheel's base.
2. Connect the power supply cable to the connector (14) located at the back of the racing wheel's base.
3. Plug the power supply cable into an electrical outlet with the same voltage specifications.



For more information about this, please refer to the PLUGGING THE RACING WHEEL INTO AN ELECTRICAL OUTLET section, on page 3 in this manual.

4. Set the USB sliding switch (5) on the racing wheel's base to either the PS3™ or PS4™ position, depending on the console or the game you are using.
5. Connect the racing wheel's USB connector (15) to one of the console's USB ports.
6. Once your console is powered on, your racing wheel will calibrate itself automatically.
7. On PlayStation®4 system (when the USB sliding switch is set to the PS4™ position): press the racing wheel's PS button (8) and sign in to your Sony Entertainment Network account, in order to be able to use the wheel.

You are now ready to play!

Important notes:

- The USB sliding switch (5) on the racing wheel's base must always be set to the proper position (PS3™ or PS4™) before connecting the wheel's USB cable to the console. To change the sliding switch's position, disconnect the USB cable from the console and then change the position of the switch before reconnecting the USB cable to the console.
- On the PlayStation®3 system, the USB sliding switch (5) must always be set to the PS3™ position:
 - * The wheel is recognized in most games as a T500RS wheel.
 - * The wheel is functional in compatible games and in console menus.
 - * The "PS" function is functional on the wheel.
- On the PlayStation®4 system, with the USB sliding switch (5) in the PS3™ position:
 - * The wheel is recognized in most games as a T500RS wheel.
 - * The wheel is functional in compatible games, but not in console menus.
 - * The "SHARE" and "PS" functions are not functional on the wheel.
- On the PlayStation®4 system, with the USB sliding switch (5) in the PS4™ position:
 - * Don't forget to press the racing wheel's PS button (8) in order to be able to use the wheel.
 - * The wheel is recognized in most games as a T300 RS wheel.
 - * The wheel is functional in compatible games and in console menus.
 - * The "SHARE" and "PS" functions are functional on the wheel.
- The list of PlayStation®3 and PlayStation®4 games compatible with the T300 RS (along with the required position for the USB sliding switch (5) according to the game being played) is available at:

<http://ts.thrustmaster.com>

(in the Updates and Downloads section, click PlayStation® / Wheels / T300 RS).

This list is updated regularly.

SETTING UP THE RACING WHEEL FOR PC

Important note:

On PC, the USB sliding switch (5) on the racing wheel's base must always be set to the PS3™ position.

1. Go to <http://ts.thrustmaster.com> to download the drivers and the Force Feedback software for PC. In the Updates and Downloads section, click PC / Wheels / T300 RS, then select Drivers.
2. Once the download is complete, launch the installation, and follow the on-screen instructions to connect the wheel's USB plug to your computer and complete the installation.
3. Once the installation is complete, click Finish and restart your computer.
4. Select Start / All Programs / Thrustmaster / FFB Racing Wheel / Control Panel to open the Game Controllers window.

The Game Controllers window displays the racing wheel's name T300 RS Racing Wheel with the status OK.

5. Click Properties to configure your wheel in the T300 RS control panel:

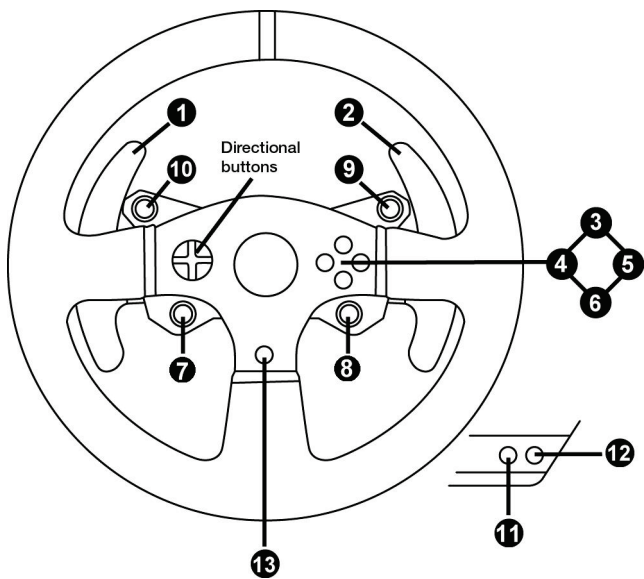
- Test Input tab: allows to test and view the action buttons, directional buttons, wheel and pedals axes, and to adjust the wheel's rotation angle in your PC games.
- Test Forces tab: allows to test 12 force feedback effects.
- Gain Settings tab: allows to adjust the power of the force feedback effects in your PC games.

You are now ready to play!

General notes:

- On PC, click OK to close the Game Controllers window before launching the game.
- On PC, the adjustments made in the Game Controllers window will only be saved on your computer (hence they will have no effect on PlayStation®3 or PlayStation®4).
- Your wheel's firmware version is displayed in the upper right-hand corner of the T300 RS control panel tabs.

PC MAPPING



ENGLISH

ESPAÑOL

FRANÇAIS

PORTUGUÊS

AUTOMATIC RACING WHEEL AND PEDAL SET CALIBRATION

The wheel automatically self-calibrates when you plug the racing wheel into an electrical outlet and connect the racing wheel's USB connector to the console.

During this phase, the racing wheel will rotate quickly towards the left and the right, covering a 900 degree angle, before stopping at the center.



WARNING:

Never touch the racing wheel during the self-calibration phase!
(This could result in improper calibration and/or personal injuries.)

AUTOMATIC CALIBRATION OF THE PEDAL SET

Never connect the pedal set to the racing wheel's base (or disconnect it from the base) when it is connected to the console or during gameplay (this could result in improper calibration).

Always connect the pedal set before connecting the racing wheel to the console.

Once the racing wheel's calibration is complete and the game has been started, the pedals are automatically calibrated after a few presses.



WARNING:

Never press the pedals during the racing wheel's self-calibration phase or while a game is loading!
(This could result in improper calibration.)

If your racing wheel and/or pedal set do not function correctly, or if they seem to be improperly calibrated:

Power off your console and completely disconnect the racing wheel. Then reconnect all cables (including the power supply cable and the pedal set), and restart your console and your game.

INTERNAL TEMPERATURE SENSOR

The wheel's cooling system is composed of a heat sink and a fan.

- A thermostat monitors the wheel's internal temperature.
- When you are using the wheel in a game:
 - The cooling fan starts up when the wheel has reached a certain temperature (after a few minutes of gameplay, depending on the strength of the Force Feedback effects used).
 - The power of the Force Feedback effects automatically decreases as soon as the wheel reaches a much higher temperature level (to protect the motor). The power of these effects automatically increases as soon as the temperature slightly decreases.
- When you're done playing: due to the motor's thermal inertia, the cooling fan continues to operate until the temperature drops below the fan's startup level. Your wheel has been designed in this way in order to facilitate cooling, and to protect the motor (this may take from 5 to 45 minutes, depending on the temperature reached while using the wheel in a game).

MODE BUTTON AND INDICATOR LIGHT (6)

MODE button for the pedal set

The pedal set included with the T300 RS features 2 pedals.

When using this pedal set, make sure that the indicator light remains red, or else the gas pedal will not function properly.

The T300 RS is also compatible with Thrustmaster pedal sets featuring 3 pedals (*sold separately*); these allow you to electronically swap the accelerator and clutch pedals.

To do so, simply press the MODE button (6) for 2 seconds.

The racing wheel's internal memory stores whether the pedals have been swapped around or not.

GAS AND CLUTCH PEDALS	Color of the MODE indicator light (6)
NORMAL	RED
SWAPPED AROUND	GREEN

Other hints regarding the MODE button

To learn more about the MODE button and indicator light, please visit <http://ts.thrustmaster.com>. In the **Updates and Downloads** section, click **PlayStation® / Wheels / T300 RS**, then select **Manual/Help** file.

COMPATIBILITY WITH THE THRUSTMASTER PRODUCT ECOSYSTEM

The base of the T300 RS is compatible with:

- The following detachable Thrustmaster wheels: "Ferrari F1 Wheel Add-on*", "Ferrari GTE Wheel Add-on*", "T300 RS PS Wheel", "T500 RS GT Wheel*".
- The "Base Fixed Paddle Shifters*" kit, which allows you to install fixed paddle shifters on the base.
- The following Thrustmaster pedal sets: "T3PA*" (Thrustmaster 3 Pedals Add-on) and the pedal set of the T500RS racing wheel.
- The following Thrustmaster shifters (gearboxes): "TH8A*" and "TH8RS*".

* *Sold separately (for more information, please visit <http://www.thrustmaster.com/products/t300rs>).*

HELP FILES AND FAQs (NOT INCLUDED IN THIS MANUAL)

Please visit <http://ts.thrustmaster.com>, and in the **Updates and Downloads** section, click **PlayStation® / Wheels / T300 RS**, then select **Manual/Help** file.

TECHNICAL SUPPORT

If you encounter a problem with your product, please go to <http://ts.thrustmaster.com> and click **Technical Support**. From there you will be able to access various utilities (Frequently Asked Questions (FAQ), the latest versions of drivers and software) that may help to resolve your problem. If the problem persists, you can contact the Thrustmaster products technical support service ("Technical Support"):

By email:

In order to take advantage of technical support by email, you must first register online. The information you provide will help the agents to resolve your problem more quickly. Click **Registration** on the left-hand side of the Technical Support page and follow the on-screen instructions. If you have already registered, fill in the **Username** and **Password** fields and then click **Login**.

By telephone:

Hours and days of operation and telephone numbers are subject to change. Please visit <http://ts.thrustmaster.com> for the most up-to-date Technical Support contact information.

United States	1-866-889-5036 Free	Monday to Friday from 9 a.m. to 8 p.m. (Eastern Standard Time) Monday to Friday from 6 a.m. to 5 p.m. (Pacific Standard Time)
Canada	1-866-889-2181 Free	Monday to Friday from 9 a.m. to 8 p.m. (Eastern Standard Time) Monday to Friday from 6 a.m. to 5 p.m. (Pacific Standard Time)

Consumer warranty information

Worldwide, Guillemot Corporation S.A. (hereinafter "Guillemot") warrants to the consumer that this Thrustmaster product shall be free from defects in materials and workmanship, for a warranty period which corresponds to the time limit to bring an action for conformity with respect to this product. In the countries of the European Union, this corresponds to a period of two (2) years from delivery of the Thrustmaster product. In other countries, the warranty period corresponds to the time limit to bring an action for conformity with respect to the Thrustmaster product according to applicable laws of the country in which the consumer was domiciled on the date of purchase of the Thrustmaster product (if no such action exists in the corresponding country, then the warranty period shall be one (1) year from the original date of purchase of the Thrustmaster product).

Notwithstanding the above, rechargeable batteries are covered by a warranty period of six (6) months from the date of original purchase.

Should the product appear to be defective during the warranty period, immediately contact Technical Support, who will indicate the procedure to follow. If the defect is confirmed, the product must be returned to its place of purchase (or any other location indicated by Technical Support).

Within the context of this warranty, the consumer's defective product shall, at Technical Support's option, be either repaired or replaced. If permitted under applicable law, the full liability of Guillemot and its subsidiaries (including for consequential damages) is limited to the repair or replacement of the Thrustmaster product. If permitted under applicable law, Guillemot disclaims all warranties of merchantability or fitness for a particular purpose. The consumer's legal rights with respect to laws applicable to the sale of consumer goods are not affected by this warranty.

This warranty shall not apply: (1) if the product has been modified, opened, altered, or has suffered damage as a result of inappropriate or abusive use, negligence, an accident, normal wear, or any other cause unrelated to a material or manufacturing defect (including, but not limited to, combining the Thrustmaster product with any unsuitable element, including in particular power supplies, rechargeable batteries, chargers, or any other elements not supplied by Guillemot for this product); (2) in the event of failure to comply with the instructions provided by Technical Support; (3) to software, said software being subject to a specific warranty; (4) to consumables (elements to be replaced over the product's lifespan: disposable batteries, audio headset or headphone ear pads, for example); (5) to accessories (cables, cases, pouches, bags, wrist-straps, for example); (6) if the product was sold at public auction.

This warranty is nontransferable.

Additional warranty provisions

In the United States of America and in Canada, this warranty is limited to the product's internal mechanism and external housing. In no event shall Guillemot or its affiliates be held liable to any third party for any consequential or incidental damages resulting from the breach of any express or implied warranties. Some States/Provinces do not allow limitation on how long an implied warranty lasts or exclusion or limitation of liability for consequential or incidental damages, so the above limitations or exclusions may not apply to you. This warranty gives you specific legal rights, and you may also have other rights which vary from State to State or Province to Province.

Liability

If permitted under applicable law, Guillemot Corporation S.A. (hereinafter "Guillemot") and its subsidiaries disclaim all liability for any damages caused by one or more of the following: (1) the product has been modified, opened or altered; (2) failure to comply with assembly instructions; (3) inappropriate or abusive use, negligence, an accident (an impact, for example); (4) normal wear. If permitted under applicable law, Guillemot and its subsidiaries disclaim all liability for any damages unrelated to a material or manufacturing defect with respect to the product (including, but not limited to, any damages caused directly or indirectly by any software, or by combining the Thrustmaster product with any unsuitable element, including in particular power supplies, rechargeable batteries, chargers, or any other elements not supplied by Guillemot for this product).

DECLARATION OF CONFORMITY

CANADIAN COMPLIANCE NOTICE: this Class B digital apparatus meets all requirements of the Canadian Interference-Causing Equipment Regulations.

USA COMPLIANCE NOTICE: this equipment has been tested and found to comply with the limits for a Class B digital device, pursuant to Part 15 of the FCC rules. Operation is subject to the following two conditions:

(1) This device may not cause harmful interference, and

(2) This device must accept any interference received, including interference that may cause undesired operation.

These limits are designed to provide reasonable protection against harmful interference in a residential installation. This equipment generates, uses and can radiate radio frequency energy and, if not installed and used in accordance with the instructions, may cause harmful interference to radio communications. However, there is no guarantee that interference will not occur in a particular installation. If this equipment does cause harmful interference to radio or television reception, which can be determined by turning the equipment on and off, the user is encouraged to try to correct the interference by one or more of the following measures:

- Reorient or relocate the receiving antenna.
- Increase the separation between the equipment and receiver.
- Connect the equipment into an outlet on a circuit different from that to which the receiver is connected.
- Consult the dealer or an experienced radio/TV technician for help.

COPYRIGHT

© 2014 Guillemot Corporation S.A. All rights reserved. Thrustmaster® is a registered trademark of Guillemot Corporation S.A. Manufactured & distributed under license by Sony Computer Entertainment America LLC.

Playstation, the PS family logo, PS3, PS4 and "△OX□" are registered trademarks of Sony Computer Entertainment Inc. All rights reserved. All other trademarks and brand names are hereby acknowledged and are property of their respective owners. Illustrations not binding. Contents, designs and specifications are subject to change without notice and may vary from one country to another. Made in China.

TouchSense® Technology licensed from Immersion Corporation. Protected by one or more of the U.S. Patents found at the following address www.immersion.com/patent-marking.html and other patents pending.

ENVIRONMENTAL PROTECTION RECOMMENDATION

Please adhere to local recycling laws for electrical and electronic equipment.

Retain this information. Colors and decorations may vary.

Plastic fasteners and adhesives should be removed from the product before it is used.

www.thrustmaster.com



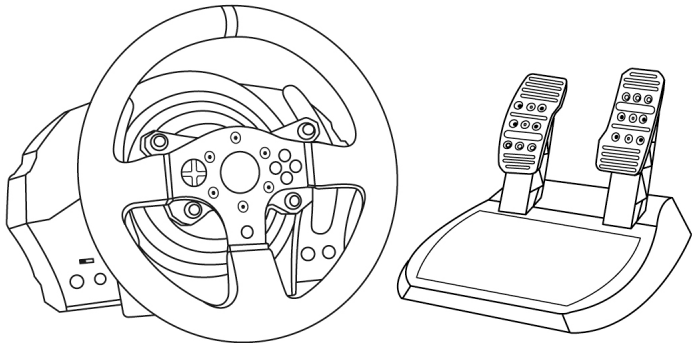
immersion.



T300RS

PARA SISTEMAS PLAYSTATION®3 – PLAYSTATION®4

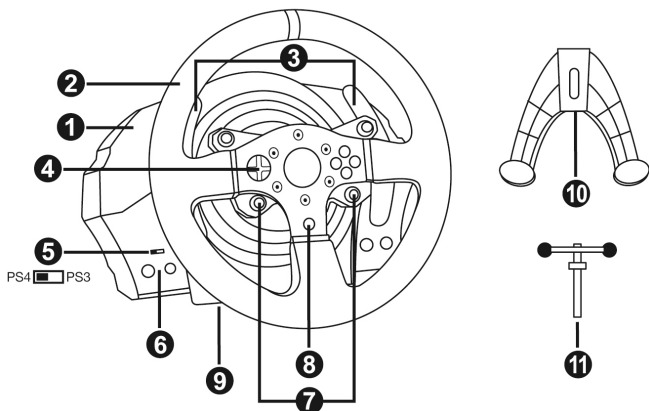
Manual del usuario



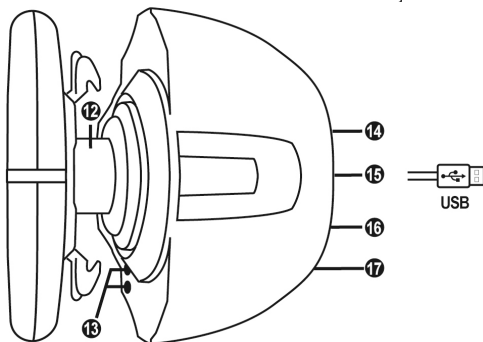
ADVERTENCIA:

Para asegurarte de que tu volante de carreras T300 RS funcione correctamente con juegos para sistemas PlayStation®3 o PlayStation®4, puede que tengas que instalar las actualizaciones automáticas de los juegos (disponibles cuando tu consola está conectada a Internet).

CARACTERÍSTICAS TÉCNICAS



- | | |
|---|---|
| <ul style="list-style-type: none"> 1 Base de T300 RS 2 Volante PS 3 2 levas de cambio secuenciales (Up y Down) 4 D-Pad multidireccional 5 Interruptor selector de USB de PS4™ o PS3™ 6 Botón MODE + luz indicadora roja/verde | <ul style="list-style-type: none"> 7 Botones SELECT/START en PS3™ y SHARE/OPTIONS en PS4™ 8 Botón PS 9 Agujero roscado grande (para sistema de fijación y tornillo de apriete) 10 Sistema de fijación 11 Tornillo de fijación metálico |
|---|---|



- | | |
|--|---|
| <ul style="list-style-type: none"> 12 Thrustmaster Quick Release 13 Botones L3/R3 14 Conector de fuente de alimentación (tipo A o B) <i>(varía de un país a otro)</i> | <ul style="list-style-type: none"> 15 Conector y cable USB del volante de carreras 16 Conector del cambio de marchas (caja de cambios) <i>(se vende por separado)</i> 17 Conector de los pedales |
|--|---|

¡CONEXIÓN DEL VOLANTE DE CARRERAS A UN ENCHUFE ELÉCTRICO: LEER ANTES DE CONTINUAR!

La fuente de alimentación del volante de carreras varía en función del país en el que hayas comprado el dispositivo. La fuente de alimentación puede ser:

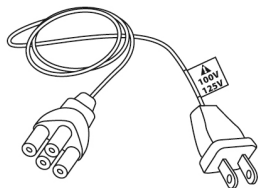
Estados Unidos-Canadá-México

Interna, con:

* Una unidad de fuente de alimentación situada directamente en el interior de la base del volante de carreras, con un conector de tipo A.

* Un cable de fuente de alimentación de 100-125 V.

= compatible sólo con un suministro eléctrico de 100-125 V.



¡¡¡No conectes nunca el cable de 100-125 V a un enchufe eléctrico de 220-240 V!!!

¡¡¡No conectes nunca este cable a un adaptador de corriente eléctrica!!!



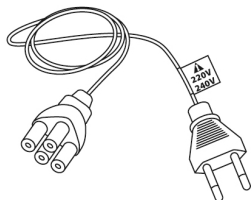
América Latina

Interna, con:

* Una unidad de fuente de alimentación situada directamente en el interior de la base del volante de carreras, con un conector de tipo A.

* Un cable de fuente de alimentación de 220-240 V.

= compatible sólo con un suministro eléctrico de 220-240 V.



¡¡¡No conectes nunca el cable de 220-240 V a un enchufe eléctrico de 100-130 V!!!

¡¡¡No conectes nunca este cable a un adaptador de corriente eléctrica!!!



¡¡¡IMPORTANTE: Si no sabes qué tensión se suministra en la zona en la que estás usando el volante de carreras, consulta a tu suministrador eléctrico local.

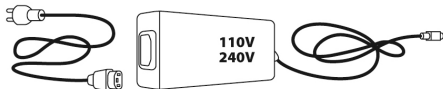
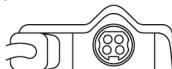
Brasil-Chile

Externo, con:

* Una unidad de fuente de alimentación externa, con un conector de tipo B.

* Un cable de fuente de alimentación.

= compatible con todas las tensiones eléctricas, a partir de 110-240 V.



ADVERTENCIAS

Antes de utilizar este producto, lee detenidamente este manual y consérvalo para consultarlo posteriormente.



Advertencia – Descarga eléctrica

- * Mantén el producto en un lugar seco y no lo expongas al polvo ni a la luz directa del sol.
- * No retuerzas ni tires de los conectores ni de los cables.
- * No derrames líquidos en el producto ni en sus conectores.
- * No cortocircuites el producto.
- * No desmontes nunca el producto ni lo lances al fuego ni lo expongas a temperaturas elevadas.
- * No utilices otro cable de fuente de alimentación distinto del proporcionado con el volante de carreras.
- * No utilices el cable de fuente de alimentación si el cable o los conectores están dañados, partidos o rotos.
- * Asegúrate de que el cable de fuente de alimentación esté enchufado correctamente en un enchufe eléctrico, y conectado correctamente al conector de la parte trasera de la base del volante de carreras.
- * No abras el volante de carreras: en el interior no hay piezas que el usuario pueda arreglar. Las reparaciones las debe realizar el fabricante, su representante autorizado o un técnico cualificado.
- * Utiliza únicamente sistemas de fijación/accesorios especificados por el fabricante.
- * Si el volante de carreras se comporta de forma anormal (si emite sonidos anormales, calor u olores), deja de utilizarlo inmediatamente, desenchufa el cable de fuente de alimentación del enchufe eléctrico y desconecta los demás cables.
- * Si no vas a utilizar el volante de carreras durante un período de tiempo prolongado, desenchufa su cable de fuente de alimentación del enchufe eléctrico.



Rejillas de ventilación

Asegúrate de no bloquear ninguna de las rejillas de ventilación de la base del volante de carreras. Para obtener una ventilación óptima, respeta los puntos siguientes:

- * Coloca la base del volante al menos a 10 cm de distancia de las paredes.
- * No coloques la base en espacios estrechos.
- * No tapes la base.
- * No dejes que se acumule polvo en las rejillas de ventilación.



Por razones de seguridad, no uses nunca los pedales con los pies descalzos o únicamente con calcetines en los pies.
THRUSTMASTER® DECLINA TODA RESPONSABILIDAD EN CASO DE LESIONES PRODUCTO DEL USO DE LOS PEDALES SIN CALZADO.



Advertencia – Lesiones debidas al Force Feedback y los movimientos repetitivos

Jugar con un volante con Force Feedback puede producir dolor en las articulaciones o en los músculos. Para evitar problemas:

- * Evita jugar durante períodos prolongados.
- * Haz descansos de 10 a 15 minutos por cada hora de juego.
- * Si sientes fatiga o dolor en las manos, muñecas, brazos, pies o piernas, deja de jugar y descansa durante unas horas antes de volver a jugar.



Advertencia – Lesiones debidas a Force Feedback y los movimientos repetitivos (continuación)

- * Si los síntomas o el dolor indicados anteriormente persisten cuando vuelves a jugar, deja de hacerlo y consulta al médico.
- * Mantén el volante fuera del alcance de los niños.
- * Durante el juego, mantén siempre ambas manos colocadas correctamente en el volante sin dejarlas completamente caídas.
- * Mientras estés jugando, no coloques nunca las manos ni los dedos debajo de los pedales, ni tampoco cerca de ellos.
- * Durante la calibración y el juego, no metas nunca las manos ni los brazos a través de las aberturas del volante de carreras.
- * Asegúrate de que la base del volante de carreras esté fijada correctamente, según las instrucciones de este manual.

PRODUCTO PESADO



El producto sólo puede ser manejado por usuarios de 16 años de edad como mínimo



¡Ten cuidado de no dejar caer el producto encima de ti o de otra persona!

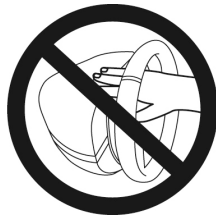
SIEMPRE



NUNCA



NUNCA





Advertencia – Peligro de pillarse los dedos con los pedales mientras se juega

- * Mantén los pedales fuera del alcance de los niños.
- * Cuando juegues, no pongas nunca los dedos en los lados de los pedales ni cerca de ellos.
- * Cuando juegues, no pongas nunca los dedos sobre la base trasera de los pedales ni cerca de ella.
- * Cuando juegues, no pongas nunca los dedos sobre la base delantera de los pedales ni cerca de ella.

NUNCA



NUNCA



NUNCA



Advertencia – Peligro de pillarse los dedos con los pedales cuando no se juega

- * Guarda los pedales en un lugar seguro y lejos del alcance de los niños.

ACTUALIZACIÓN DEL FIRMWARE DEL VOLANTE DE CARRERAS

El firmware incluido en la base del volante de carreras se puede actualizar a una versión más reciente que incluya mejoras del producto.

Para mostrar la versión de firmware que está usando actualmente tu volante de carreras y actualizarla si es necesario: en PC, visita <http://ts.thrustmaster.com>. En la sección **Updates and Downloads**, haz clic en **PlayStation® / Wheels / T300 RS** y, a continuación, selecciona **Driver/Firmware** y sigue las instrucciones que describen el procedimiento de descarga e instalación.

INSTALACIÓN DEL VOLANTE DE CARRERAS EN SU BASE

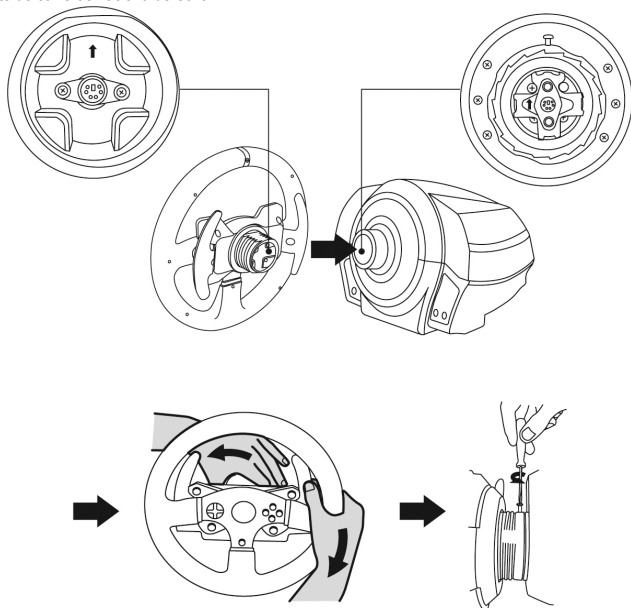
Alinea las posiciones de los conectores usando las flechas:

Conector de la base (1): Flecha apuntando hacia arriba

Conector del volante de carreras (2): Flecha apuntando hacia arriba

Una vez que los conectores estén colocados correctamente, simplemente gira el anillo del dispositivo Thrustmaster Quick Release (12) hacia la izquierda, mientras sostienes el volante de carreras (2) en su posición.

A continuación, aprieta el anillo todo lo que puedas: para ello, mantén el anillo en su posición y gira el volante de carreras hacia la derecha.



Una vez que hayas instalado el volante de carreras, gíralo 180° (cuando mires al volante, el logotipo de PlayStation® debería estar al revés) para acceder al pequeño tornillo de fijación situado en el anillo del dispositivo Thrustmaster Quick Release (12). Con un destornillador Phillips para apretar el tornillo de fijación (no utilices una fuerza excesiva), gíralo hacia la derecha.



¡No utilices una fuerza excesiva cuando aprietes el pequeño tornillo de fijación (usando un destornillador Phillips)!

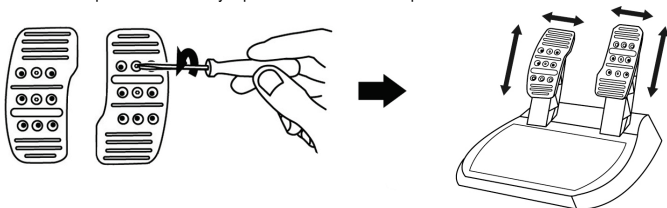
Deja de girar el tornillo en cuanto notes algo de resistencia.

AJUSTE DE LA ALTURA Y EL ESPACIADO DE LOS PEDALES

Usando un destornillador Phillips (no incluido), quita los 2 tornillos de fijación que sujetan las cabezas de los pedales a los brazos de los pedales.

A continuación, ajusta la altura y el espaciado de las cabezas de los pedales a tu estilo de conducción preferido:

- Para el pedal del acelerador hay 6 posiciones diferentes disponibles.
- Para el pedal del freno hay 6 posiciones diferentes disponibles.

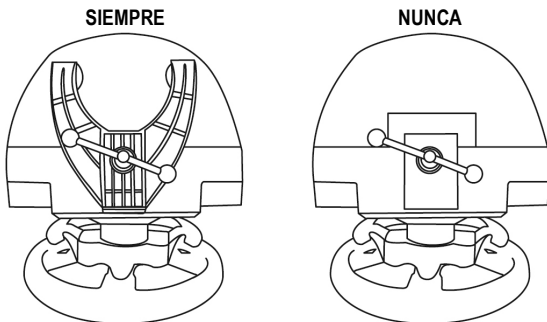


Cuando estés satisfecho con la altura y el espaciado, vuelve a colocar y apretar los 2 tornillos de fijación que sujetan las cabezas de los pedales a los brazos de los pedales.

FIJACIÓN DEL VOLANTE DE CARRERAS

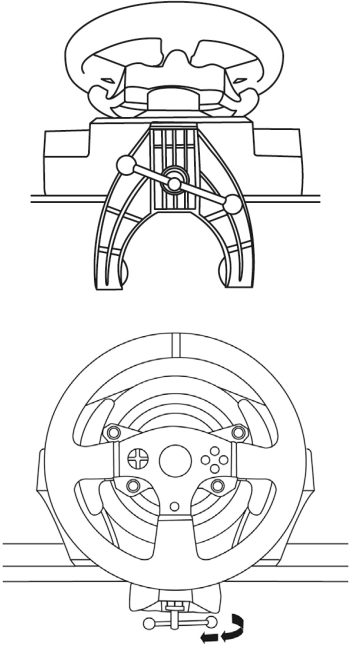
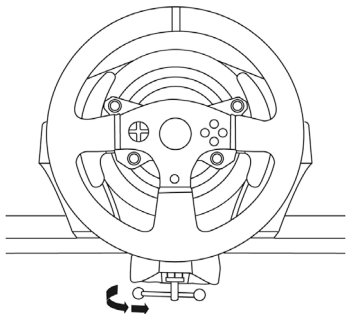
Fijación del volante de carreras a una mesa o un escritorio

1. Coloca el volante de carreras en una mesa o en otra superficie horizontal, plana y estable.
2. Inserta el tornillo de sujeción (11) en el sistema de fijación (10) y, a continuación, aprieta el dispositivo girando el tornillo a la izquierda, para que entre en el agujero roscado grande (9) situado debajo del volante de carreras, hasta que el volante esté perfectamente estable.



ADVERTENCIA: ¡No aprietes nunca el tornillo solo, sin el sistema de fijación en su sitio!

(De hacerlo así, se podría dañar el volante).

COLOCACIÓN / RETIRADA	INDICACIÓN
<p><u>Para apretar:</u></p> <p><i>Gira el tornillo hacia la izquierda</i></p>	
<p><u>Para aflojar:</u></p> <p><i>Gira el tornillo hacia la derecha</i></p>	

Fijación de la base del volante de carreras a una cabina

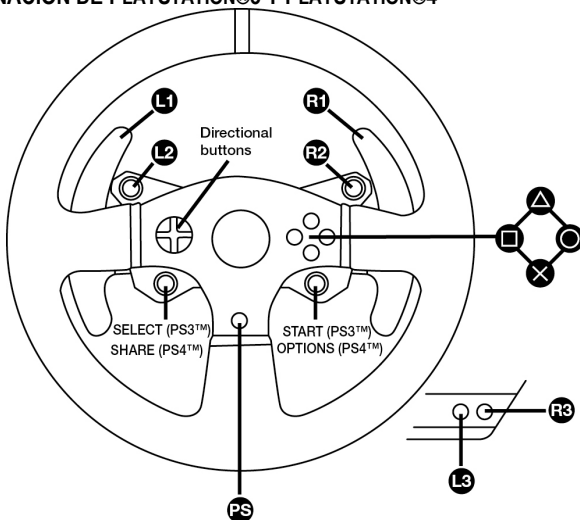
1. Coloca la base del volante de carreras en el estante de la cabina.
2. Pasa dos tornillos M6 (no incluidos) a través del estante de la cabina e insértalos en los dos agujeros roscados pequeños situados en la cara inferior del volante de carreras.
Importante: La longitud de los dos tornillos M6 no debe exceder el grosor del estante + 12 mm; tornillos más largos podrían dañar los componentes internos situados en la base del volante de carreras.
3. Si es necesario, aprieta el sistema de fijación estándar insertando el tornillo de sujeción en el agujero roscado grande.

Fijación del volante de carreras a una cabina

1. Fija los pedales usando los agujeros roscados pequeños situados en su cara inferior.
2. Pasa dos tornillos M6 (no incluidos) a través del estante de la cabina e insértalos en los dos agujeros roscados pequeños situados en la cara inferior de los pedales.
Importante: La longitud de los dos tornillos M6 no debe exceder el grosor del estante + 10 mm; tornillos más largos podrían dañar los componentes internos situados en los pedales.

Los diagramas de diseño para cabinas (para colocar la base del volante de carreras y/o los pedales) están disponibles en <http://ts.thrustmaster.com>: en la sección **Updates and Downloads**, haz clic en **PlayStation® / Wheels / T300 RS** y, a continuación, selecciona **Manual/Help file**.

ASIGNACIÓN DE PLAYSTATION®3 Y PLAYSTATION®4



CONFIGURACIÓN DEL VOLANTE DE CARRERAS PARA SISTEMAS PLAYSTATION®3 O PLAYSTATION®4

1. Conecta los pedales al conector (17) situado en la parte trasera de la base del volante de carreras.
2. Conecta el cable de fuente de alimentación al conector (14) situado en la parte trasera de la base del volante de carreras.
3. Enchufa el cable de fuente de alimentación a un enchufe eléctrico con las mismas especificaciones de tensión.



Para más información sobre esto, consulta la sección CONEXIÓN DEL VOLANTE DE CARRERAS A UN ENCHUFE ELÉCTRICO, en la página 3 de este manual.

4. Pon el interruptor selector de USB (5) de la base del volante de carreras en la posición PS3™ o PS4™, en función de la consola o el juego que estés usando.
5. Conecta el conector USB del volante de carreras (15) a uno de los puertos USB de la consola.
6. Una vez encendida la consola, el volante de carreras se calibrará solo automáticamente.
7. En el sistema PlayStation®4 (cuando el interruptor selector de USB está puesto en la posición de PS4™): pulsa el botón PS del volante (8) e inicia sesión en tu cuenta Sony Entertainment Network para poder usar el volante.

¡Ya estás preparado para jugar!

Notas importantes:

- El interruptor selector USB (5) de la base del volante de carreras siempre debe ponerse en la posición adecuada (PS3™ o PS4™) antes de conectar el cable USB del volante a la consola. Para cambiar la posición del interruptor selector, desconecta el cable USB de la consola y, a continuación, cambia la posición del interruptor selector de volver a conectar el cable USB a la consola.

- En el sistema PlayStation®3, el interruptor selector de USB (5) siempre debe ponerse en la posición PS3™:

* El volante se reconoce en la mayoría de los juegos como un volante T500RS.

* El volante está operativo en los juegos compatibles y en los menús de la consola.

* La función "PS" está operativa en el volante.

- En el sistema PlayStation®4, con el interruptor selector de USB (5) en la posición PS3™:

* El volante se reconoce en la mayoría de los juegos como un volante T500RS.

* El volante está operativo en los juegos compatibles, pero no en los menús de la consola.

* Las funciones "SHARE" y "PS" no están operativas en el volante.

- En el sistema PlayStation®4, con el interruptor selector de USB (5) en la posición PS4™:

* No olvides pulsar el botón PS del volante de carreras (8) para poder usar el volante.

* El volante se reconoce en la mayoría de los juegos como un volante T300 RS.

* El volante está operativo en los juegos compatibles y en los menús de la consola.

* Las funciones "SHARE" y "PS" están operativas en el volante.

- La lista de juegos de PlayStation®3 y PlayStation®4 compatibles con el T300 RS (junto con la posición requerida del interruptor selector de USB (5) según el juego que se esté jugando) está disponible en:

<http://ts.thrustmaster.com> (en la sección Updates and Downloads,
haz clic en PlayStation® / Wheels / T300 RS).

Esta lista se actualiza regularmente.

CONFIGURACIÓN DEL VOLANTE DE CARRERAS PARA PC

Nota importante:

En PC, el interruptor deslizante de USB (5) de la base del volante de carreras siempre debe estar puesto en la posición PS3™.

1. Dirígete a <http://ts.thrustmaster.com> para descargar los controladores y el software de Force Feedback para PC. En la sección Updates and Downloads, haz clic en PC / Wheels / T300 RS y, a continuación, selecciona Drivers.

2. Una vez terminada la descarga, inicia la instalación y sigue las instrucciones en pantalla para conectar la clavija USB del volante al ordenador y terminar la instalación.

3. Una vez completada la instalación, haz clic en Terminar y reinicia el ordenador.

4. Selecciona Inicio / Todos los programas / Thrustmaster / FFB Racing Wheel / Panel de control para abrir la ventana Dispositivos de juego.

La ventana Dispositivos de juego muestra el nombre del volante de carreras T300 RS Racing Wheel con el estado OK.

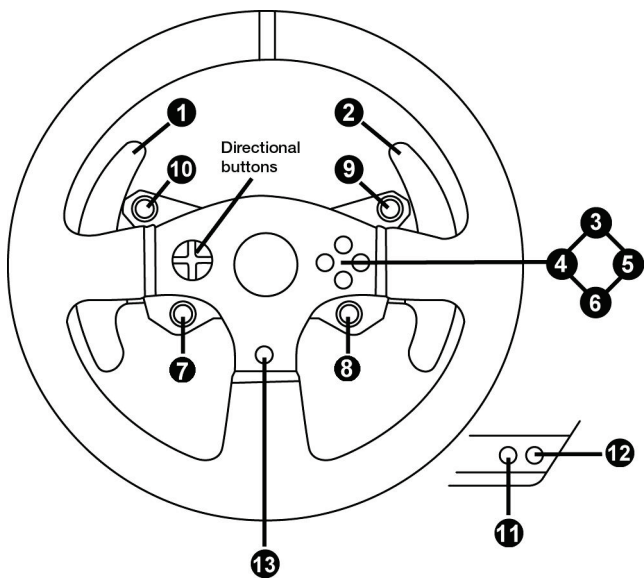
5. Haz clic en Propiedades para configurar el volante en el panel de control del T300 RS:

- Pestaña Test Input: permite probar y ver los botones de acción, botones de dirección, ejes del volante y los pedales, y ajustar el ángulo de rotación del volante en los juegos de PC.
- Pestaña Test Forces: permite probar los 12 efectos Force Feedback.
- Pestaña Gain Settings: permite ajustar la potencia de los efectos Force Feedback en los juegos de PC.

¡Ya estás preparado para jugar!

Notas generales:

- En PC, haz clic en Aceptar para cerrar la ventana Dispositivos de juego antes de ejecutar el juego.
- En PC, los ajustes realizados en la ventana Dispositivos de juego sólo se guardarán en el ordenador (por lo tanto no tendrán efecto en PlayStation®3 ni en PlayStation®4).
- La versión del firmware del volante se muestra en la esquina superior derecha de las pestañas del panel de control del T300 RS.



CALIBRACIÓN AUTOMÁTICA DEL VOLANTE Y DE LOS PEDALES

El volante de carreras se calibra solo automáticamente cuando enchufas el volante de carreras a la red eléctrica y conectas el conector USB del volante de carreras a la consola.

Durante esta fase, el volante de carreras girará rápidamente hacia la izquierda y la derecha, cubriendo un ángulo de 90 grados, antes de detenerse en el centro.



ADVERTENCIA:

**¡No toques nunca el volante de carreras durante la fase de autocalibración!
(Esto podría provocar una calibración incorrecta o lesiones personales).**

CALIBRACIÓN AUTOMÁTICA DE LOS PEDALES

No conectes nunca los pedales a la base del volante (ni los desconectes de la base) cuando esté conectada a la consola o durante el juego (esto podría provocar una calibración incorrecta).

Conecta siempre los pedales antes de conectar el volante de carreras a la consola.

Una vez que se ha realizado la calibración del volante de carreras y el juego se ha ejecutado, los pedales se calibran automáticamente tras presionarlos unas cuantas veces.



ADVERTENCIA:

**No pises nunca los pedales durante la fase de autocalibración del volante de carreras ni mientras se está cargando un juego!
(Esto podría provocar una calibración incorrecta).**

Si el volante de carreras y los pedales no funcionan correctamente o la calibración parece incorrecta:

Apaga la consola, desconecta por completo el volante de carreras, vuelve a conectar todos los cables (utilizando el cable de fuente de alimentación y los pedales) y reinicia la consola y el juego.

SENSOR DE TEMPERATURA INTERNO

El sistema de refrigeración del volante se compone de un disipador de calor y un ventilador.

- Un termostato calcula la temperatura interna del volante.
- Cuando estés utilizando el volante en un juego:
 - El ventilador de refrigeración se pone en marcha cuando el volante ha alcanzado una determinada temperatura (tras unos minutos de juego, dependiendo de la potencia de los efectos Force Feedback utilizados).
 - La potencia de los efectos Force Feedback disminuye automáticamente en cuanto el volante alcanza un nivel de temperatura mucho más alto (para proteger el motor). La potencia de esos efectos aumenta automáticamente en cuanto se reduce ligeramente la temperatura.
- Cuando has terminado de jugar: debido a la inercia térmica del motor, el ventilador de refrigeración continúa funcionando hasta que la temperatura desciende por debajo del nivel inicial del ventilador. El volante se ha diseñado de esta manera para facilitar la refrigeración y para proteger el motor (este funcionamiento puede durar de 5 a 45 minutos, dependiendo de la temperatura alcanzada al utilizar el volante en un juego).

BOTÓN MODE Y LUZ INDICADORA (6)

Botón MODE de los pedales

Con el T300 RS se incluyen 2 pedales.

Al utilizar estos pedales, asegúrate de que la luz indicadora permanezca en rojo o el pedal del acelerador no funcionará correctamente.

El T300 RS también es compatible con los pedales de Thrustmaster que incluyan 3 pedales (*vendidos por separado*) que te permitirán intercambiar electrónicamente los pedales del acelerador y el embrague.

Para ello, simplemente pulsa el botón MODE (6) durante 2 segundos.

La memoria interna del volante de carreras almacena si los pedales se han intercambiado o no.

PEDALES DEL ACELERADOR Y EL EMBRAGUE	Color de la luz indicadora MODE (6)
NORMAL	ROJO
INTERCAMBIADOS	VERDE

Otros consejos para el botón MODE

Para obtener más información sobre el botón MODE y la luz indicadora, visita <http://ts.thrustmaster.com>. En la sección **Updates and Downloads**, haz clic en **PlayStation® / Wheels / T300 RS** y, a continuación, selecciona **Manual/Help file**.

COMPATIBILIDAD CON EL ECOSISTEMA DE PRODUCTOS DE THRUSTMASTER

La base del T300 RS es compatible con:

- Los siguientes volantes desmontables de Thrustmaster: "Ferrari F1 Wheel Add-on*", "Ferrari GTE Wheel Add-on*", "T300 RS PS Wheel", "T500RS GT Wheel*".
- El kit "Base Fixed Paddle Shifters*", que te permite instalar levas de cambio de marchas fijas en la base.
- Los siguientes pedales de Thrustmaster: "T3PA*" (Thrustmaster 3 Pedals Add-on) y los pedales del volante de carreras T500RS.
- Los siguientes cambios de marchas (cajas de cambios) de Thrustmaster: "TH8A*" y "TH8RS*".

* Se venden por separado (para obtener más información, visita <http://www.thrustmaster.com/products/t300rs>).

ARCHIVOS DE AYUDA Y FAQ (NO INCLUIDOS EN ESTE MANUAL)

Visita <http://ts.thrustmaster.com> y en la sección **Updates and Downloads** haz clic en **PlayStation® / Wheels / T300 RS**. A continuación, selecciona **Manual/Help file**.

SOPORTE TÉCNICO

Si encuentras un problema con tu producto, visita <http://ts.thrustmaster.com> y haz clic en **Technical Support**. Desde allí podrás acceder a distintas utilidades (preguntas frecuentes (Frequently Asked Questions, FAQ), las últimas versiones de controladores y software) que pueden ayudarte a resolver tu problema. Si el problema persiste, puedes contactar con el servicio de soporte técnico de los productos de Thrustmaster ("Soporte Técnico"):

Por correo electrónico:

Para utilizar el soporte técnico por correo electrónico, primero debes registrarte online. La información que proporcionas ayudará a los agentes a resolver más rápidamente tu problema. Haz clic en **Registro del producto** en la parte izquierda de la página de Soporte técnico y sigue las instrucciones en pantalla. Si ya te has registrado, rellena los campos **Nombre de usuario** y **Contraseña** y después haz clic en **sesión**.

INFORMACIÓN DE GARANTÍA AL CONSUMIDOR

En todo el mundo, Guillemot Corporation S.A. (en lo sucesivo "Guillemot") garantiza al consumidor que este producto de Thrustmaster estará libre de defectos de materiales y mano de obra, durante un período de garantía que corresponde al límite de tiempo para interponer una acción legal referida a la conformidad en relación con este producto. En los países de la Unión Europea, esto corresponde a un período de dos (2) años a partir de la entrega del producto de Thrustmaster. En otros países, el período de garantía corresponde al límite de tiempo para interponer una acción legal referida a la conformidad en relación con este producto de Thrustmaster según las leyes aplicables del país en el que el consumidor estuviese domiciliado en la fecha de compra del producto de Thrustmaster (si no existiese una acción similar en el país correspondiente, entonces el período de garantía será de un (1) año a partir de la fecha de compra original del producto de Thrustmaster).

A pesar de lo anterior, las baterías recargables están cubiertas por un período de garantía de seis (6) meses a partir de la fecha de compra original.

Si el producto resultase defectuoso durante el período de garantía, hay que ponerse en contacto inmediatamente con el Soporte Técnico, que indicará el procedimiento a seguir. Si se confirma el defecto, el producto debe devolverse a su lugar de compra (o a cualquier otra ubicación indicada por el Soporte Técnico).

Dentro del contexto de esta garantía, el producto defectuoso del consumidor será reparado o sustituido, a elección del Soporte Técnico. Si la ley aplicable lo permite, toda la responsabilidad de Guillemot y sus filiales (incluso por daños resultantes) se limita a la reparación o sustitución del producto de Thrustmaster. Si la ley aplicable lo permite, Guillemot renuncia a todas las garantías de comerciabilidad o adecuación para un propósito determinado. Los derechos legales del consumidor en relación con las leyes aplicables a la venta de productos de consumo no se ven afectados por esta garantía.

Esta garantía no se aplicará: (1) si el producto ha sido modificado, abierto, alterado o ha sufrido daños como resultado de un uso inapropiado o abuso, negligencia, accidente, desgaste normal, o cualquier otra causa no relacionada con un defecto de materiales o fabricación (incluyendo, pero no de forma exclusiva, la combinación del producto de Thrustmaster con cualquier elemento no adecuado, incluyendo en particular fuentes de alimentación, baterías recargables, cargadores o cualquier otro elemento no suministrado por Guillemot para este producto); (2) en caso de incumplimiento de las instrucciones proporcionadas por el Soporte Técnico; (3) a software, es decir software sujeto a una garantía específica; (2) en caso de incumplimiento de las instrucciones proporcionadas por el Soporte Técnico; (3) a software, es decir software sujeto a una garantía específica; (4) a consumibles (elementos que se tienen que reemplazar a lo largo de la vida del producto: por ejemplo, baterías desechables o almohadillas para auriculares de audio); (5) a accesorios (por ejemplo, cables, cajas, bolsas, bolsos o muñequeras); (6) si el producto se ha vendido en una subasta pública. (6) si el producto se ha vendido en una subasta pública.

Esta garantía no es transferible.

Provisiones de garantía adicionales

En los Estados Unidos de América y en Canadá, esta garantía está limitada al mecanismo interno del producto y al alojamiento externo. En ningún caso, Guillemot ni sus filiales serán responsables ante terceros por daños resultantes o fortuitos resultado del incumplimiento de cualquier garantía expresa o implícita. En algunos estados o provincias no se permite la limitación de la duración de una garantía implícita ni la exclusión o limitación de responsabilidad por daños resultantes o fortuitos, por lo que las limitaciones o exclusiones anteriores pueden no ser aplicables. Esta garantía ofrece derechos legales específicos al consumidor, que también puede tener otros derechos que pueden variar de un estado a otro o de una provincia a otra.

Responsabilidad

Si la ley aplicable lo permite, Guillemot Corporation S.A. (en lo sucesivo "Guillemot") y sus filiales renuncian a toda responsabilidad por los daños causados por uno o más de los siguientes motivos: (1) el producto ha sido modificado, abierto o alterado; (2) incumplimiento de las instrucciones de montaje; (3) uso inapropiado o abuso, negligencia, accidente (un impacto, por ejemplo); (4) desgaste normal. Si la ley aplicable lo permite, Guillemot y sus filiales renuncian a toda responsabilidad por los daños no relacionados con defectos de materiales o fabricación en relación con el producto (incluyendo, pero no de forma exclusiva, los daños causados de forma directa o indirecta por cualquier software, o por combinar el producto de Thrustmaster con cualquier elemento no adecuado, incluyendo en particular fuentes de alimentación, baterías recargables, cargadores o cualquier otro elemento no suministrado por Guillemot para este producto).

DECLARACIÓN DE CONFORMIDAD

NOTICIA DE CONFORMIDAD EN USA: este dispositivo cumple con los límites para dispositivos de computación de Clase B de acuerdo con la Parte 15 de las reglas FCC.

COPYRIGHT

© 2014 Guillemot Corporation S.A. Todos los derechos reservados. Thrustmaster® es una marca registrada de Guillemot Corporation S.A. Fabricado y distribuido bajo licencia de Sony Computer Entertainment America LLC. PlayStation, el logotipo de la línea PS, PS3, PS4 y "△OX□" son marcas comerciales registradas de Sony Computer Entertainment Inc. Todas las demás marcas registradas y nombres comerciales se reconocen por los presentes y son propiedad de sus respectivos dueños. Ilustraciones no definitivas. El contenido, la concepción y las especificaciones son susceptibles de cambiar sin previo aviso y varían según el país. Fabricado en China. TouchSense® Technology con licencia de Immersion Corporation. Protegida por una o más de las patentes de Estados Unidos que se encuentran en la siguiente dirección www.immersion.com/patent-marking.html y otras patentes pendientes.

RECOMENDACIÓN DE PROTECCIÓN AMBIENTAL

Cumpla las leyes locales sobre reciclaje de equipos eléctricos y electrónicos.

Esta información debe conservarse. Los colores y motivos decorativos pueden variar.
Los adhesivos y los cierres de plástico se deben quitar del producto antes de utilizarlo.

www.thrustmaster.com



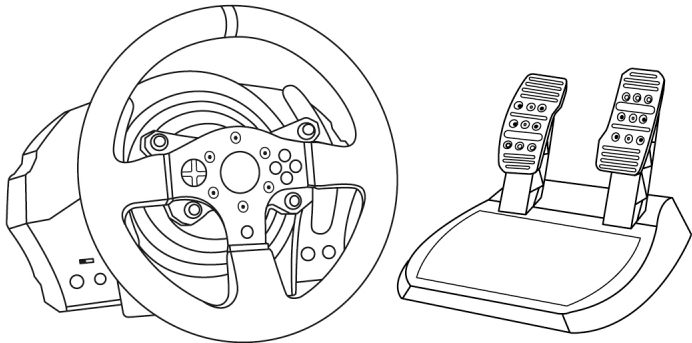
immersion.



T300RS

POUR SYSTÈMES PLAYSTATION®3 – PLAYSTATION®4

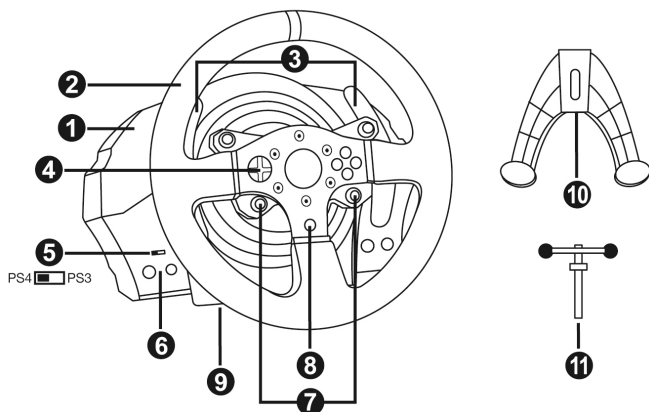
Manuel de l'utilisateur



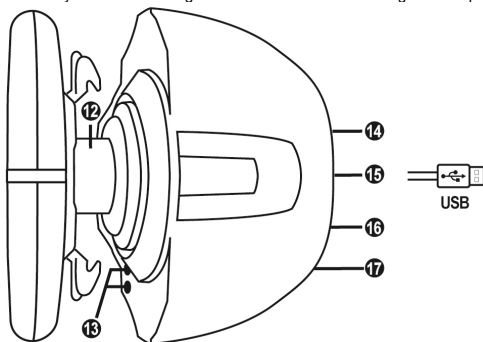
ATTENTION :

Pour que le volant T300 RS fonctionne correctement avec les jeux PlayStation®3 ou PlayStation®4, il peut être nécessaire d'installer les mises à jour automatiques de ces jeux (disponibles lorsque votre console est connectée à Internet).

CARACTÉRISTIQUES TECHNIQUES



- | | |
|--|--|
| <ul style="list-style-type: none"> 1 Base T300 RS 2 Roue PS 3 2 leviers séquentiels de changement de vitesse (Up & Down) 4 Croix multidirectionnelle 5 Sélecteur USB PS4™ ou PS3™ 6 Bouton MODE + Voyant lumineux rouge/vert | <ul style="list-style-type: none"> 7 Boutons SELECT/START sur PS3™ et SHARE/OPTIONS sur PS4™ 8 Bouton PS 9 Gros pas de vis (pour le système de fixation et la vis de serrage) 10 Système de fixation 11 Vis de serrage métallique |
|--|--|



- | | |
|---|--|
| <ul style="list-style-type: none"> 12 Thrustmaster Quick Release 13 Boutons L3 / R3 14 Connecteur type A ou B pour l'alimentation secteur (<i>diffère d'un pays à l'autre</i>) | <ul style="list-style-type: none"> 15 Câble et connecteur USB du volant 16 Connecteur pour la boîte de vitesses (<i>vendue séparément</i>) 17 Connecteur pour le pédalier |
|---|--|

RELIER LE VOLANT AU SECTEUR = A LIRE IMPERATIVEMENT

En fonction du pays où vous avez acheté votre volant, l'alimentation secteur de votre volant diffère. Elle est :

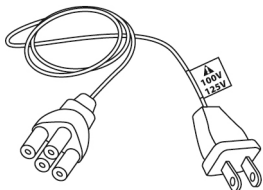
Etats-Unis-Canada-Mexique

Soit interne avec :

* Boîtier d'alimentation directement dans la base du volant avec connecteur type A

* Câble d'alimentation secteur 100-125V.

= uniquement compatible avec du courant 100-125V.



Ne jamais brancher le câble 100-125V sur une prise de courant 220-240V !!!
Ne jamais relier ce câble à un adaptateur secteur !!!



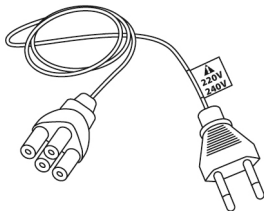
Amérique latine

Soit interne avec :

* Boîtier d'alimentation directement dans la base du volant avec connecteur type A

* Câble d'alimentation secteur 220-240V.

= uniquement compatible avec du courant 220-240V.



Ne jamais brancher le câble 220-240V sur une prise de courant 100-130V !!!
Ne jamais relier ce câble à un adaptateur secteur !!!



IMPORTANT : Si vous ne connaissez pas le voltage de la zone dans laquelle vous utilisez le volant, reportez-vous- au fournisseur local d'électricité.

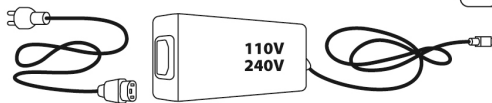
Brésil-Chili

Soit externe avec :

* Boîtier d'alimentation externe à la base du volant avec connecteur type B

* Câble d'alimentation secteur

= compatible avec tout type de courant 110-240V.



AVERTISSEMENTS

Avant d'utiliser ce produit, lisez attentivement cette documentation et conservez-la pour pouvoir la consulter ultérieurement.



Avertissement – Choc électrique

- * Conservez le produit dans un endroit sec et ne l'exposez ni à la poussière ni au soleil.
- * Ne tordez pas et ne tirez pas sur les connecteurs et câbles.
- * Ne renversez pas de liquide sur le produit et ses connecteurs.
- * Ne mettez pas le produit en court-circuit.
- * Ne démontez jamais le produit, ne le jetez pas au feu et ne l'exposez pas à des températures élevées.
- * N'utilisez pas de câble d'alimentation autre que celui fourni avec votre volant.
- * N'utilisez pas le câble d'alimentation secteur si celui-ci où ses connecteurs sont endommagés, fendus ou cassés.
- * Assurez-vous que le câble d'alimentation secteur est parfaitement inséré dans la prise murale et dans son connecteur situé à l'arrière de la base du volant.
- * N'ouvrez pas l'appareil. L'appareil ne contient pas de pièces réparables par l'utilisateur. Confiez toute réparation au fabricant, à une agence spécifiée ou un technicien qualifié.
- * Utilisez uniquement les systèmes de fixation /accessoires spécifiés par le fabricant.
- * Si le volant fonctionne de manière anormale (s'il émet des sons, de la chaleur ou des odeurs anormales), arrêtez immédiatement de l'utiliser, débranchez le câble d'alimentation de la prise électrique et déconnectez les autres câbles.
- * Lorsque vous n'utilisez pas le volant pendant une période prolongée, débranchez le câble d'alimentation secteur de la prise électrique.



Grilles d'aération

Veillez à n'obstruer aucune grille d'aération de la base du volant. Pour assurer une ventilation optimale, respectez les points ci-après :

- * Placez la base à 10 cm au moins d'une surface murale.
- * Ne placez pas la base dans un endroit exigü.
- * Ne couvrez pas la base.
- * Ne laissez pas la poussière s'accumuler sur les grilles d'aération.



Pour des raisons de sécurité, ne jouez pas pieds nus ou en chaussettes lorsque vous utilisez le pédalier.

THRUSTMASTER® DECLINE TOUTE RESPONSABILITE EN CAS DE BLESSURE SUITE A UNE UTILISATION DU PEDALIER SANS CHAUSSURES.



Avertissement – Blessures dues au retour de force et aux mouvements répétitifs

Jouer avec un volant à retour de force peut causer des douleurs aux muscles et aux articulations. Afin d'éviter tout problème :

- * Evitez les périodes trop longues de jeu.
- * Faites une pause de 10 à 15 minutes après chaque heure de jeu.
- * Si vous éprouvez fatigue ou douleur au niveau des mains, des poignets, des bras, des pieds ou des jambes, cessez de jouer et reposez-vous pendant quelques heures avant de recommencer à jouer.



Avertissement – Blessures dues au retour de force et aux mouvements répétitifs (suite)

- * Si les symptômes ou les douleurs indiqués ci-dessus persistent lorsque vous reprenez le jeu, arrêtez de jouer et consultez votre médecin.
- * Laissez hors de portée des enfants.
- * Lors des phases de jeu, laissez toujours vos deux mains correctement positionnées sur le volant sans jamais le lâcher complètement.
- * Lors des phases de jeu, ne placez jamais vos mains ou vos doigts sous les pédales ou à proximité du pédalier.
- * Lors des phases de calibration et de jeu, ne jamais introduire une main ou un bras à l'intérieur de la roue du volant.
- * Vérifiez que la base du volant est correctement fixée, conformément aux instructions du manuel.

PRODUIT LOURD



Produit à manipuler uniquement par des personnes âgées de 16 ans ou plus



Ne pas laisser tomber le produit sur vous ou une autre personne

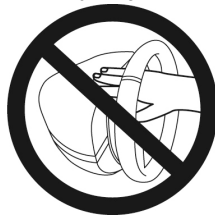
TOUJOURS



JAMAIS



JAMAIS





Avertissement – Risque de pincement au niveau du pédalier lors des phases de jeu

- * Laissez le pédalier hors de portée des enfants.
- * Lors des phases de jeu, ne placez jamais vos doigts sur ou à proximité des côtés des pédales.
- * Lors des phases de jeu, ne placez jamais vos doigts sur ou à proximité de la base arrière des pédales.
- * Lors des phases de jeu, ne placez jamais vos doigts sur ou à proximité de la base avant des pédales.

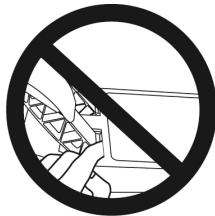
JAMAIS



JAMAIS



JAMAIS



Avertissement – Risque de pincement au niveau du pédalier lorsque vous n'utilisez pas le pédalier

- * Placez le pédalier dans un endroit sûr et hors de portée des enfants.

METTRE A JOUR LE FIRMWARE DU VOLANT

Le firmware inclus dans la base du volant peut être mis à jour (ce qui signifie qu'il peut être mis à jour par des versions plus récentes comportant des améliorations produits).

Pour afficher la version de firmware de votre volant et le mettre à jour si nécessaire : sur PC, allez sur <http://ts.thrustmaster.com>, dans la section **Mise à jour et téléchargement**, cliquez sur **PlayStation® / Volant / T300 RS** puis **Pilote/Firmware** et suivez les instructions et la procédure de téléchargement et d'installation.

INSTALLATION DE LA ROUE SUR SA BASE

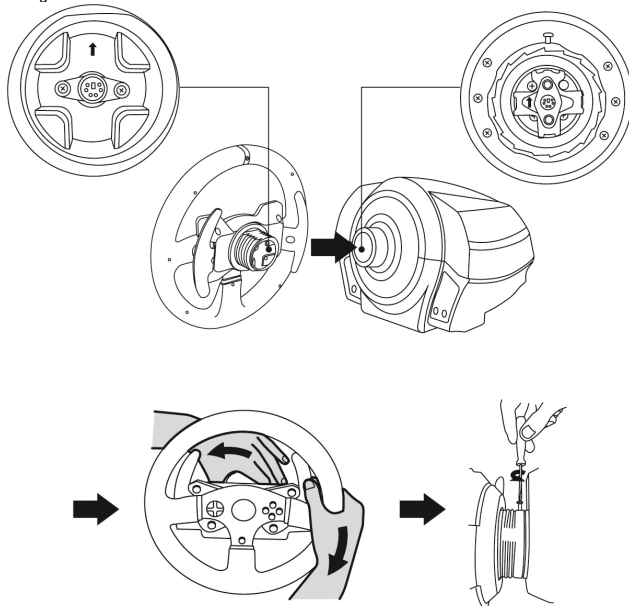
Alignez la position des connecteurs en vous aidant des flèches :

Connecteur de la base (1): Flèche vers le haut

Connecteur de la roue (2): Flèche vers le haut

Une fois les connecteurs mis en place, il vous suffit de tourner la bague du Thrustmaster Quick Release (12) dans le sens inverse des aiguilles d'une montre tout en maintenant la roue (2) fixe.

Puis serrez fortement (et au maximum) la bague en la maintenant fixe et en tournant le volant dans le sens des aiguilles d'une montre.



Lorsque la roue est installée, tournez-la de 180° (vu de face, le logo PlayStation® doit être à l'envers) afin d'accéder à la petite vis de fixation située sur la bague du Thrustmaster Quick Release (12). A l'aide d'un gros tournevis cruciforme, vissez sans forcer la petite vis de fixation dans le sens des aiguilles d'une montre.



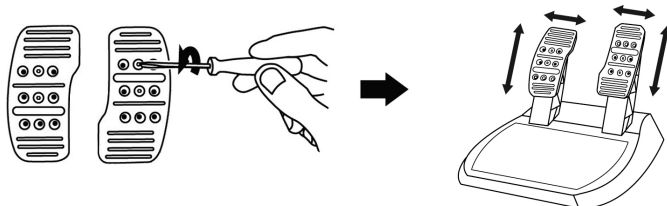
**Ne pas forcer lorsque vous revissez (à l'aide d'un tournevis cruciforme)
la petite vis de fixation = arrêtez de visser dès que vous sentez une résistance.**

AJUSTEMENT DES PÉDALES EN HAUTEUR ET EN ECARTEMENT

A l'aide d'un tournevis cruciforme (non fourni), retirez les 2 vis de fixation situées sur les palettes des pédales.

Ajustez à votre convenance la hauteur et l'écartement des pédales :

- 6 positions sont possibles pour la pédale d'accélérateur
- 6 positions sont possibles pour la pédale de frein

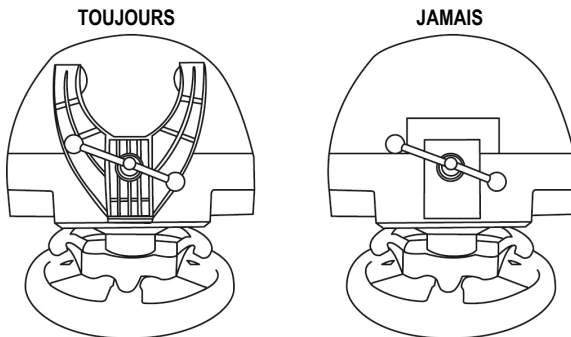


Lorsque la hauteur et l'écartement des pédales sont ajustés, remettez en place et serrez les 2 vis de fixation sur les palettes des pédales.

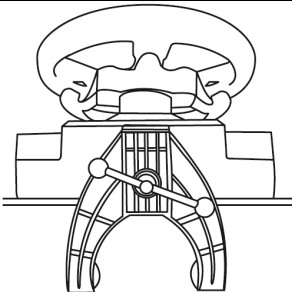
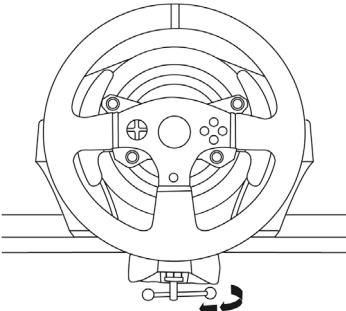
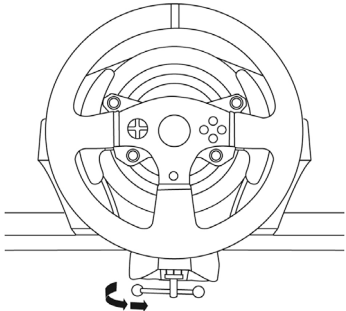
FIXATION DU VOLANT

Fixer le volant sur une table ou un bureau

1. Placez le volant sur une table ou autre surface plane.
2. Placez la vis de serrage (11) dans le système de fixation (10), puis vissez l'ensemble (dans le sens inverse des aiguilles d'une montre) dans le gros pas de vis (9) situé sous le volant, jusqu'à ce que ce dernier soit parfaitement stable.



ATTENTION : Ne jamais visser la vis de serrage seule sans le système de fixation !
(au risque de détériorer le volant).

MONTAGE / DEMONTAGE	SENS
<p><u>Pour serrer :</u></p> <p>Vissez dans le sens inverse des aiguilles d'une montre</p>	 
<p><u>Pour desserrer :</u></p> <p>Dévissez dans le sens des aiguilles d'une montre</p>	

Fixer la base du volant sur un cockpit

1. Placez la base du volant sur la tablette du cockpit
2. Vissez 2 vis M6 (non fournies) dans la tablette du cockpit et dans les 2 petits pas de vis situés sous le volant.

Important : La longueur de ces 2 vis M6 ne doit pas dépasser l'épaisseur de votre support +12 mm pour ne pas endommager les composants internes à la base.

3. Si nécessaire, vissez en plus le système de fixation classique (dans le gros pas de vis).

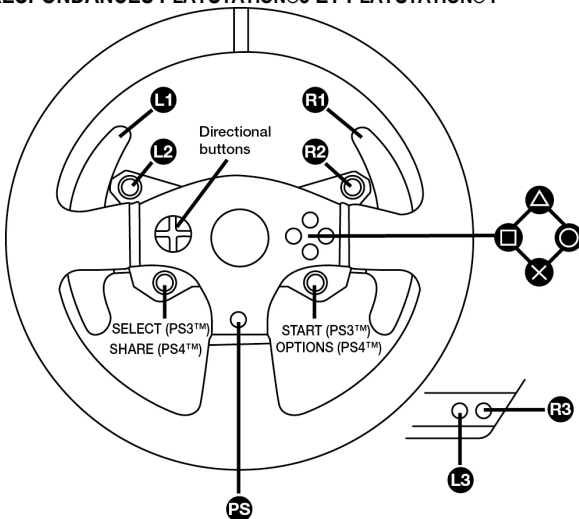
Fixer le pédalier sur un cockpit

1. Fixez le pédalier à l'aide des petits pas de vis situés sous ce dernier.
2. Vissez 2 vis M6 (non fournies) dans la tablette du cockpit et dans les 2 petits pas de vis situés sous le pédalier.

Important : La longueur de ces 2 vis M6 ne doit pas dépasser l'épaisseur de votre support +10 mm pour ne pas endommager les composants internes au pédalier.

Plan d'implantation (de la base ou du pédalier) pour les cockpits disponible sur <http://ts.thrustmaster.com>, (dans la rubrique PlayStation® / Volants / T300 RS / Manuel - Fichier Aide)

CORRESPONDANCES PLAYSTATION®3 ET PLAYSTATION®4



INSTALLATION SUR SYSTÈMES PLAYSTATION®3 OU PLAYSTATION®4

1. Reliez le pédalier à son connecteur (17) situé à l'arrière de la base du volant.
2. Reliez le câble d'alimentation à son connecteur (14) situé à l'arrière de la base du volant.
3. Reliez le câble d'alimentation sur une prise de courant ayant le même voltage.



Pour plus d'informations sur ce point, reportez-vous au chapitre RELIER LE VOLANT AU SECTEUR (p.3 de ce manuel).

4. Positionnez le sélecteur USB (5) de la base du volant en position PS3™ ou PS4™ en fonction de la console ou du jeu utilisé(e).
5. Branchez le connecteur USB (15) du volant sur l'un des ports USB de la console.
6. Une fois votre console allumée, votre volant s'autocalibre de manière automatique.
7. Sur système PlayStation®4 (lorsque le sélecteur USB est en position PS4™), appuyez sur le bouton PS (8) du volant, puis connectez-vous à votre compte Sony Entertainment Network pour que votre volant soit fonctionnel.

Vous êtes maintenant prêt à jouer !

Remarques importantes :

- Le sélecteur USB (5) de la base du volant du toujours être positionné dans la bonne position (PS3™ ou PS4™) avant de brancher l'USB du volant à la console.
Pour changer de position, débranchez le câble USB, puis changez la position du sélecteur avant de rebrancher le câble USB à la console.

- Sur système PlayStation®3, le sélecteur USB (5) doit toujours être en position PS3™ :

* Le volant est reconnu dans la plupart des jeux comme un volant T500RS.

* Le volant est fonctionnel dans les jeux compatibles et dans les menus de la console.

* La fonction PS est fonctionnelle sur le volant.

- Sur système PlayStation®4, avec le sélecteur USB (5) en position PS3™ :

* Le volant est reconnu dans la plupart des jeux comme un volant T500RS.

* Le volant est fonctionnel dans les jeux compatibles mais pas dans les menus de la console.

* Les fonctions SHARE et PS ne sont pas fonctionnelles sur le volant.

- Sur système PlayStation®4, avec le sélecteur USB (5) en position PS4™ :

* N'oubliez pas d'appuyer sur bouton PS (8) du volant pour que celui-ci soit fonctionnel.

* Le volant est reconnu dans la plupart des jeux comme un volant T300 RS.

* Le volant est fonctionnel dans les jeux compatibles et dans les menus de la console.

* Les fonctions SHARE et PS sont fonctionnelles sur le volant.

- La liste des jeux PlayStation®3 et PlayStation®4 compatibles avec le T300 RS (ainsi que la position nécessaire du sélecteur USB en fonction du jeu utilisé) est disponible ici :

<http://ts.thrustmaster.com> (dans la rubrique PlayStation® / Volants / T300 RS).

Cette liste est régulièrement mise à jour.

INSTALLATION SUR PC

Remarque importante :

Pour fonctionner sur PC, le sélecteur USB (5) de la base du volant doit toujours être en position PS3™.

1. Allez sur <http://ts.thrustmaster.com> pour télécharger les pilotes et le logiciel Force Feedback pour PC. Dans la section Mise à jour et téléchargement, cliquez sur PC / Volants / T300 RS, puis Pilotes.

2. Une fois le téléchargement terminé, lancez l'installation, puis suivez les instructions affichées à l'écran pour brancher le connecteur USB du volant sur votre PC et pour terminer l'installation.

3. Une fois l'installation terminée, cliquez sur Terminer et redémarrez votre ordinateur.

4. Sélectionnez Démarrer / Tous les programmes / Thrustmaster / FFB Racing Wheel / Panneau de configuration pour ouvrir la fenêtre Contrôleurs de jeu.

La fenêtre Contrôleurs de jeu affiche le nom du volant Thrustmaster T300 RS Racing Wheel avec l'état OK.

5. Cliquez sur Propriétés pour configurer votre volant dans le panneau de configuration du T300 RS :

- Onglet Test du périphérique : permet de tester et visualiser les boutons, la croix multidirectionnelle, les axes du volant et du pédalier, et d'ajuster l'angle de rotation du volant dans vos jeux PC.
- Onglet Tester les forces : permet de tester 12 effets de retour de force.
- Onglet Ajuster les forces : permet d'ajuster la puissance des effets de retour de force dans vos jeux PC.

Vous êtes maintenant prêt à jouer !

Remarques générales :

- Sur PC, pensez à toujours fermer complètement la fenêtre Contrôleurs de jeu en cliquant sur OK avant de lancer votre jeu.

- Sur PC, les réglages et ajustements effectués dans la fenêtre Contrôleurs de jeu ne seront sauvegardés que sur votre PC (et n'auront donc aucune incidence sur PlayStation®3 ou PlayStation®4).

- La version du firmware de votre volant apparaît en haut à droite dans les onglets du panneau de configuration T300 RS.

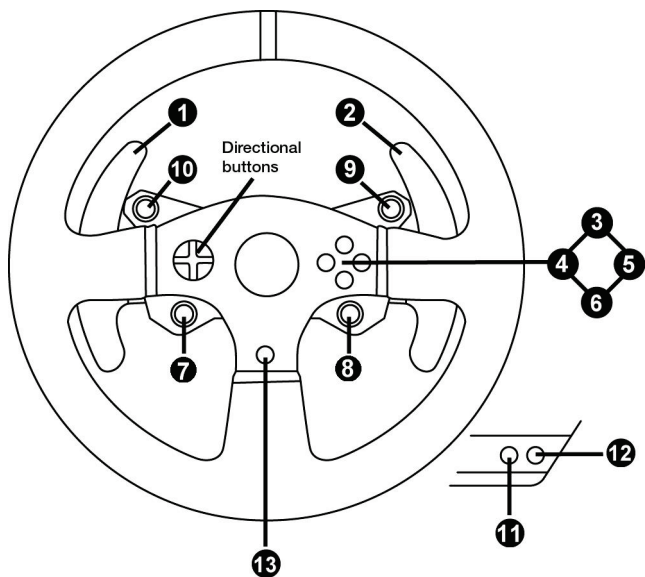
CORRESPONDANCES PC

ENGLISH

ESPAÑOL

FRANÇAIS

PORTUGUÊS



CALBRAGE AUTOMATIQUE DU VOLANT ET DES PEDALES

La roue du volant s'autocalibre de manière automatique une fois le volant relié au secteur et le connecteur USB connecté.

Cette opération entraîne des mouvements rapides du volant de gauche à droite sur 900° avant de s'immobiliser au centre.



ATTENTION :

**Lors des phases d'autocalibration de la roue du volant, ne jamais toucher au volant
(au risque de fausser la calibration ou de se blesser).**

CALBRAGE AUTOMATIQUE DES PEDALES

Ne jamais débrancher ou brancher le pédalier de la base du volant lorsque celui-ci est connecté à la console ni en cours de jeu (pour ne pas fausser la calibration)

= le pédalier doit toujours être branché avant de relier le volant à la console.

Une fois le volant autocalibré et le jeu lancé, les pédales se calibrent automatiquement après quelques pressions.



ATTENTION :

**Lors des phases d'autocalibration de la roue du volant et lorsque votre jeu se lance,
ne jamais appuyer sur les pédales
(au risque de fausser la calibration)**

Si votre volant et vos pédales ne fonctionnent pas correctement ou semblent mal calibrés :

Eteignez votre console, déconnectez entièrement votre volant, reconnectez tous les câbles (avec le câble d'alimentation secteur et le pédalier), redémarrez et relancez votre jeu.

CAPTEUR DE TEMPERATURE INTERNE

Le système de refroidissement du volant est composé d'un radiateur et d'un ventilateur.

- Un thermostat calcule la température interne du volant.

- En phase de jeu :

- Le ventilateur de refroidissement se met en marche dès que le volant atteint un certain niveau de température (= après quelques minutes de jeu en fonction de la puissance des effets de retour de force utilisés).

- La puissance des effets de retour de force diminue automatiquement dès que le volant atteint un niveau de température beaucoup plus élevé (afin de protéger le moteur). La puissance de ces effets remonte automatiquement dès que la température redescend légèrement.

- Après la phase de jeu, en raison de l'inertie thermique du moteur, le ventilateur de refroidissement reste en marche jusqu'à ce que la température redescende au niveau de mise en marche, le tout afin de faciliter le refroidissement et de protéger le moteur (= cela peut prendre de 5 à 45 mn en fonction du niveau de température atteint pendant la phase de jeu).

BOUTON MODE ET SON VOYANT LUMINEUX (6)

Bouton MODE pour le pédalier

Le pédalier livré par défaut avec le T300 RS est de type 2 pédales.

Avec ce pédalier, la couleur du voyant lumineux doit toujours être rouge, sinon la pédale d'accélérateur ne fonctionnera pas.

Le T300 RS est également compatible avec des pédales Thrustmaster 3 pédales (*vendus séparément*) dont vous pouvez inverser électroniquement la pédale d'accélérateur et d'embrayage.

Pour ce faire, appuyez simplement sur le bouton MODE (6) pendant 2 secondes.

L'inversion ou non des pédales est alors instantanément enregistrée dans la mémoire interne du volant.

PEDALE D'ACCELERATEUR ET D'EMBRAYAGE	Couleur du voyant lumineux MODE (6)
NORMALE	ROUGE
INVERSEE	VERT

Autres astuces pour le bouton MODE

Pour profiter d'autres astuces concernant le bouton MODE et son voyant lumineux, allez sur

<http://ts.thrustmaster.com>. Dans la section **Mise à jour et téléchargement**, cliquez sur **PlayStation® / Volant / T300 RS** puis **Manuel / Fichier Aide**.

COMPATIBILITE AVEC L'ECOSYSTEME THRUSTMASTER

La base du T300 RS est compatible avec :

- Les roues détachables Thrustmaster : Ferrari F1 Wheel Add-on** ; Ferrari GTE Wheel Add-on** ; T300 RS PS Wheel, T500RS GT Wheel**).
- Le kit Base Fixed Paddle Shifters** : pour installer des palettes de vitesses fixes sur la base.
- Les pédales Thrustmaster : T3PA** (Thrustmaster 3 Pedals Add-on) et le pédalier du T500RS.
- Les boîtes de vitesses Thrustmaster : TH8A** et TH8RS**.

** Vendus séparément (plus d'infos sur <http://www.thrustmaster.com/products/t300rs>)

AIDES & FAQ DIVERSES (non notifiées dans ce manuel)

Allez sur <http://ts.thrustmaster.com>. Dans la section **Mise à jour et téléchargement**, cliquez sur **PlayStation® / Volant / T300 RS** puis **Manuel / Fichier Aide**.

SUPPORT TECHNIQUE

Si vous rencontrez un problème avec votre produit, rendez-vous sur le site <http://ts.thrustmaster.com> et cliquez sur **Support Technique**. Vous aurez alors accès à différents services (Foire Aux Questions (FAQ), dernières versions des pilotes et logiciels) susceptibles de résoudre votre problème. Si le problème persiste, vous pouvez contacter le support technique des produits Thrustmaster (« Support Technique ») :

Par e-mail :

Pour bénéficier du support technique par e-mail, vous devez d'abord vous enregistrer en ligne. Les informations fournies vont permettre aux techniciens de résoudre plus rapidement votre problème. Cliquez sur **Enregistrement** à gauche de la page Support technique et suivez les instructions à l'écran. Si vous êtes déjà enregistré, renseignez les champs **Nom d'utilisateur** et **Mot de passe** puis cliquez sur **Connexion**.

Par téléphone (si vous n'avez pas d'accès Internet) :

Jours, horaires et numéros de téléphone susceptibles de changer. Veuillez consulter <http://ts.thrustmaster.com> pour obtenir une liste à jour.

Canada

1-866-889-2181

Gratuit

Du lundi au vendredi de 7h à 14h
(Heure de l'Est)

Du lundi au vendredi de 4h à 11h
(Heure du Pacifique)

Informations relatives à la garantie aux consommateurs

Dans le monde entier, Guillemot Corporation S.A. (ci-après « Guillemot ») garantit au consommateur que le présent produit Thrustmaster est exempt de défaut matériel et de vice de fabrication, et ce, pour une période de garantie qui correspond au délai pour intenter une action en conformité de ce produit. Dans les pays de l'Union Européenne, ce délai est de deux (2) ans à compter de la délivrance du produit Thrustmaster. Dans les autres pays, la durée de la période de garantie correspond au délai pour intenter une action en conformité du produit Thrustmaster selon la législation en vigueur dans le pays où le consommateur avait son domicile lors de l'achat du produit Thrustmaster (si une telle action en conformité n'existe pas dans ce pays alors la période de garantie est de un (1) an à compter de la date d'achat d'origine du produit Thrustmaster). Nonobstant ce qui précède, les batteries sont garanties six (6) mois à compter de la date d'achat d'origine.

Si, au cours de la période de garantie, le produit semble défectueux, contactez immédiatement le Support Technique qui vous indiquera la procédure à suivre. Si le défaut est confirmé, le produit devra être retourné à son lieu d'achat (ou tout autre lieu indiqué par le Support Technique).

Dans le cadre de la garantie, le consommateur bénéficiera, au choix du Support Technique, du remplacement ou de la réparation du produit défectueux. Lorsque la loi applicable l'autorise, toute responsabilité de Guillemot et ses filiales (y compris pour les dommages indirects) se limite à la réparation ou au remplacement du produit Thrustmaster. Lorsque la loi applicable l'autorise, Guillemot exclut toutes garanties de qualité marchande ou d'adaptation à un usage particulier. Les droits légaux du consommateur au titre de la législation applicable à la vente de biens de consommation ne sont pas affectés par la présente garantie.

Cette garantie ne s'appliquera pas : (1) si le produit a été modifié, ouvert, altéré, ou a subi des dommages résultant d'une utilisation inappropriée ou abusive, d'une négligence, d'un accident, de l'usure normale, ou de toute autre cause non liée à un défaut matériel ou à un vice de fabrication (y compris, mais non limitativement, une combinaison du produit Thrustmaster avec tout élément inadapté, notamment alimentations électriques, batteries, chargeurs, ou tous autres éléments non-fournis par Guillemot pour ce produit) ; (2) en cas de non respect des instructions du Support Technique ; (3) aux logiciels, lesdits logiciels faisant l'objet d'une garantie spécifique ; (4) aux consommables (éléments à remplacer pendant la durée de vie du produit : piles, coussinets de casque audio, par exemple) ; (5) aux accessoires (câbles, étuis, housses, sacs, dragonnes, par exemple) ; (6) si le produit a été vendu aux enchères publiques.

Cette garantie n'est pas transférable.

Stipulations additionnelles à la garantie

Aux États-Unis d'Amérique et au Canada, cette garantie est limitée au mécanisme interne et au boîtier externe du produit. En aucun cas, Guillemot ou ses sociétés affiliées ne sauraient être tenues responsables envers qui que ce soit de tous dommages indirects ou dommages accessoires résultant du non-respect des garanties expresses ou implicites. Certains États/Provinces n'autorisent pas la limitation sur la durée d'une garantie implicite, ou l'exclusion ou la limitation de responsabilité pour les dommages indirects ou accessoires, de sorte que les limitations ou exclusions ci-dessus peuvent ne pas vous être applicables. Cette garantie vous confère des droits spécifiques ; vous pouvez également bénéficier d'autres droits qui peuvent différer d'un État/Province à l'autre.

Responsabilité

Lorsque la loi applicable l'autorise, Guillemot Corporation S.A. (ci-après « Guillemot ») et ses filiales excluent toute responsabilité pour tous dommages causés par un ou plusieurs des faits suivants: (1) le produit a été modifié, ouvert, altéré, (2) l'irrespect des instructions de montage, (3) l'utilisation inappropriée ou abusive, la négligence, l'accident (un choc, par exemple), (4) l'usure normale du produit. Lorsque la loi applicable l'autorise, Guillemot et ses filiales excluent toute responsabilité pour tout dommage dont la cause n'est pas liée à un défaut matériel ou à un vice de fabrication du produit (y compris, mais non limitativement, tout dommage causé directement ou indirectement par tout logiciel, ou par une combinaison du produit Thrustmaster avec tout élément inadapté, notamment alimentations électriques, batteries, chargeurs, ou tous autres éléments non-fournis par Guillemot pour ce produit).

Déclaration de conformité

UTILISATEURS CANADIENS :

Cet appareil numérique de la classe B respecte toutes les exigences du Règlement sur le matériel brouilleur du Canada.

COPYRIGHT

© 2014 Guillemot Corporation S.A. Tous droits réservés. Thrustmaster® est une marque déposée de Guillemot Corporation S.A.

Fabriqué et distribué par Guillemot Corporation S.A. sous licence de Sony Computer Entertainment America LLC. PlayStation, le logo PS Family, PS3, PS4 et "△OX□" sont des marques de Sony Computer Entertainment Inc. Toutes les autres marques déposées et noms commerciaux sont reconnus par les présentes et sont la propriété de leurs propriétaires respectifs. Illustrations non contractuelles. Le contenu, la conception et les spécifications sont susceptibles de changer sans préavis et de varier selon les pays. Fabriqué en Chine.

Technologie TouchSense® sous licence d'Immersion Corporation. Protégée par un ou plusieurs des brevets américains dont la liste est disponible à l'adresse www.immersion.com/patent-marking.html, et d'autres brevets en attente.

RECOMMANDATION RELATIVE A LA PROTECTION DE L'ENVIRONNEMENT

Veuillez vous reporter aux législations locales relatives au recyclage des équipements électriques et électroniques.

Informations à conserver. Les couleurs et décorations peuvent varier.

Il est recommandé de retirer les attaches en plastique et les adhésifs avant d'utiliser le produit.

www.thrustmaster.com



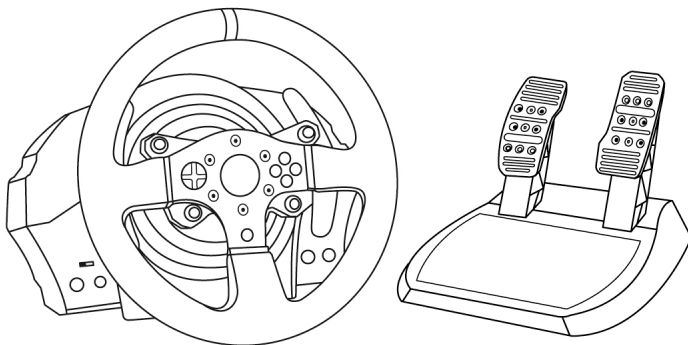
immersion.



T300RS

PARA SISTEMAS PLAYSTATION®3 – PLAYSTATION®4

Manual do Usuário



ATENÇÃO:

Para garantir que o seu volante T300 RS funciona corretamente com jogos para os sistemas PlayStation®3 ou PlayStation®4, poderá ser pedido para instalar as atualizações automáticas dos jogos *(disponível quando o console está conectado à Internet)*.

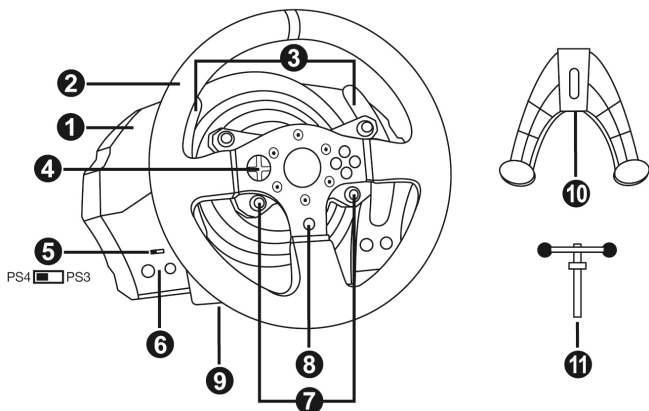
ENGLISH

ESPAÑOL

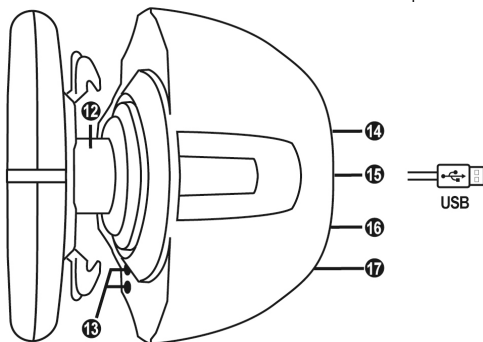
FRANÇAIS

PORTUGUÊS

CARACTERÍSTICAS TÉCNICAS



- | | |
|--|--|
| 1 Base do T300 RS | 7 Botões SELECT/START no PS3™ e SHARE/OPTIONS no PS4™ |
| 2 Volante PS | 8 Botão PS |
| 3 2 borboletas de mudança de marchas sequenciais (Up e Down) | 9 Furo roscado grande (para o sistema de fixação e parafuso de aperto) |
| 4 D-Pad multidirecional | 10 Sistema de fixação |
| 5 Interruptor do seletor USB PS4™ ou PS3™ | 11 Parafuso de aperto de metal |
| 6 Botão MODE + luz indicadora vermelha/verde | |



- | | |
|---|--|
| 12 Thrustmaster Quick Release | 15 Cabo e conector USB do volante |
| 13 Botões L3/R3 | 16 Conector do câmbio (caixa de marchas) (vendido à parte) |
| 14 Conector de alimentação (tipo A ou B) (varia de acordo com o país) | 17 Conector do conjunto de pedais |

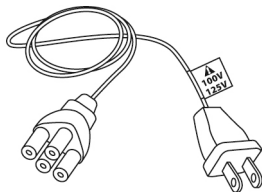
LIGAR O VOLANTE A UMA TOMADA ELÉTRICA: LEIA ANTES DE CONTINUAR!

A fonte de alimentação do volante varia de acordo com o país onde você adquiriu o seu dispositivo. A alimentação pode ser:

Estados Unidos-Canadá-México

Interna, com:

- * uma unidade de alimentação situada diretamente no interior da base do volante, com um conector de tipo A.
 - * um cabo de alimentação de 100-125 V.
- = compatível apenas com energia elétrica de 100-125 V.



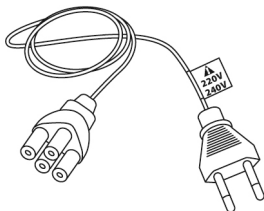
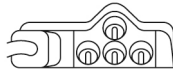
Nunca conecte o cabo de 100-125 V a uma tomada elétrica de 220-240 V!
Nunca conecte este cabo a um transformador!



América Latina

Interna, com:

- * uma unidade de alimentação situada diretamente no interior da base do volante, com um conector de tipo A.
 - * um cabo de alimentação de 220-240 V.
- = compatível apenas com energia elétrica de 220-240 V.



Nunca conecte o cabo de 220-240 V a uma tomada elétrica de 100-130 V!
Nunca conecte este cabo a um transformador!

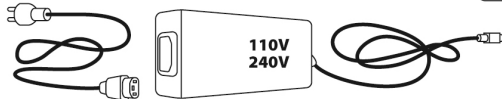
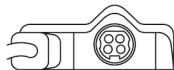


IMPORTANTE: se você não sabe qual tensão é fornecida no local onde pretende usar o volante, pergunte ao seu fornecedor de eletricidade local.

Brasil-Chile

Externa, com:

- * uma unidade de alimentação externa, com um conector de tipo B.
 - * um cabo de alimentação.
- = compatível com todas as tensões elétricas, de 110 a 240 V.



AVISOS

Antes de utilizar este produto, leia atentamente este manual e guarde-o para posterior consulta.



Atenção – Choque elétrico

- * Guarde o produto num local seco e não o exponha ao pó nem à luz do sol.
- * Não torça nem puxe os conectores e os cabos.
- * Não derrame líquidos sobre o produto ou os respetivos conectores.
- * Não provoque um curto-circuito no produto.
- * Nunca desmonte o produto, não o atire no fogo nem o exponha a temperaturas elevadas.
- * Não utilize um cabo de alimentação diferente do fornecido com o volante.
- * Não utilize o cabo de alimentação se o cabo ou os conectores estiverem danificados, fendidos ou partidos.
- * Certifique-se de que o cabo de alimentação está corretamente conectado a uma tomada elétrica, assim como ao conector situado na parte posterior da base do volante.
- * Não abra o volante: ele não contém peças substituíveis pelo usuário no interior. Todos os reparos devem ser realizados pelo fabricante, pelo seu representante autorizado ou por um técnico qualificado.
- * Utilize apenas sistemas de fixação/acessórios especificados pelo fabricante.
- * Se o volante estiver funcionando de forma anormal (se emitir quaisquer sons, calor ou cheiros anormais), pare imediatamente de utilizá-lo, desconecte o cabo de alimentação da tomada e desligue os outros cabos.
- * Se não utilizar o volante durante um longo período de tempo, desconecte o cabo de alimentação da tomada elétrica.



Aberturas de ventilação

Certifique-se de não tapar as aberturas de ventilação na base do volante. Para uma ventilação ideal, certifique-se do seguinte:

- * Posicione a base do volante a pelo menos 10 cm de distância de quaisquer paredes.
- * Não coloque a base em espaços apertados.
- * Não tape a base.
- * Não deixe que pó se acumule nas aberturas de ventilação.



Por razões de segurança, nunca utilize o conjunto de pedais com os pés descalços ou apenas com meias calçadas nos pés.

A THRUSTMASTER® NÃO ASSUME QUALQUER RESPONSABILIDADE NA EVENTUALIDADE DE FERIMENTOS RESULTANTES DA UTILIZAÇÃO DO CONJUNTO DE PEDAIS SEM CALÇADO.



Atenção – Ferimentos resultantes dos efeitos Force Feedback e dos movimentos repetidos

Jogar com um volante Force Feedback poderá causar dores musculares ou articulares. Para evitar quaisquer problemas:

- * Evite jogar durante longos períodos de tempo.
- * Faça um intervalo de 10 a 15 minutos após cada hora de jogo.
- * Se sentir cansaço ou dores nas mãos, pulsos, braços, pés ou pernas, pare de jogar e descanse durante algumas horas antes de recomeçar a jogar.



Atenção – Ferimentos resultantes dos efeitos Force Feedback e dos movimentos repetidos (continuação)

- * Se os sintomas ou as dores acima indicados persistirem quando recomeçar a jogar, pare de jogar e consulte o seu médico.
- * Guarde o volante fora do alcance de crianças.
- * Durante o jogo, mantenha sempre ambas as mãos posicionadas corretamente no volante sem largá-lo por completo.
- * Durante o jogo, nunca coloque as mãos ou os dedos por baixo dos pedais ou perto do conjunto de pedais.
- * Durante a calibração e o jogo, nunca coloque a mão ou o braço através das aberturas existentes no volante.
- * Certifique-se de que a base do volante está devidamente fixada, de acordo com as instruções do manual.



O produto deve ser manuseado apenas por usuários com 16 anos de idade ou mais

PRODUTO PESADO



Tenha cuidado para não deixar cair o produto em cima de si ou de outra pessoa!

SEMPRE



NUNCA



NUNCA





Atenção – Perigo de esmagamento no conjunto de pedais ao jogar

- * Guarde o conjunto de pedais fora do alcance de crianças.
- * Quando jogar, nunca coloque os dedos nos lados dos pedais nem perto dos mesmos.
- * Quando jogar, nunca coloque os dedos na base traseira dos pedais nem perto da mesma.
- * Quando jogar, nunca coloque os dedos na base frontal dos pedais nem perto da mesma.

NUNCA



NUNCA



NUNCA



Atenção – Perigo de esmagamento no conjunto de pedais em inatividade

- * Guarde o conjunto de pedais num local seguro e fora do alcance de crianças.

ATUALIZAR O FIRMWARE DO VOLANTE

O firmware incluído na base do volante pode ser atualizado para uma versão mais recente que inclua melhoramentos do produto.

Para visualizar a versão do firmware que o volante utiliza atualmente e atualizá-la, se necessário: no PC, acesse <http://ts.thrustmaster.com>. Na seção **Updates and Downloads**, clique em **PlayStation® / Wheels / T300 RS**, em seguida, selecione **Driver/Firmware** e siga as instruções que descrevem o procedimento de transferência e instalação.

INSTALAR O VOLANTE NA BASE

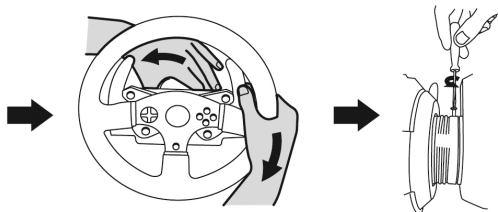
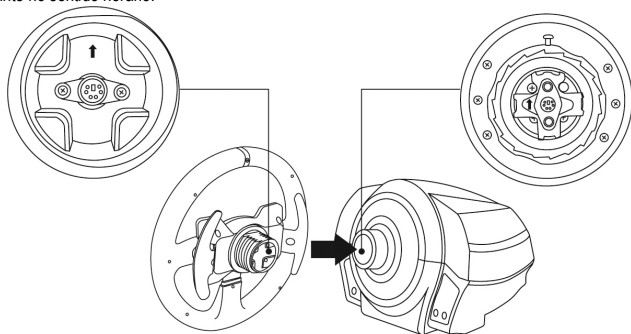
Alinhe as posições dos conectores com as setas:

Conector da base (1): Seta apontando para cima

Conector do volante (2): Seta apontando para cima

Assim que os conectores estiverem posicionados corretamente, rode o anel do dispositivo Thrustmaster Quick Release (12) no sentido anti-horário enquanto mantém o volante (2) na posição.

Em seguida, aperte o anel o máximo que conseguir; para fazer isso, mantenha o anel na posição e rode o volante no sentido horário.



Depois de instalar o volante, rode-o 180° (quando está virado de frente para o volante, o logotipo PlayStation® deve ficar virado ao contrário) para acessar o parafuso de fixação pequeno situado no anel do dispositivo Thrustmaster Quick Release (12). Utilize uma chave de fendas Phillips grande para apertar o parafuso de fixação pequeno (não aplique força excessiva), rodando-o no sentido horário.



**Não aplique força excessiva ao apertar o parafuso de fixação pequeno
(com uma chave de fendas Phillips)!**

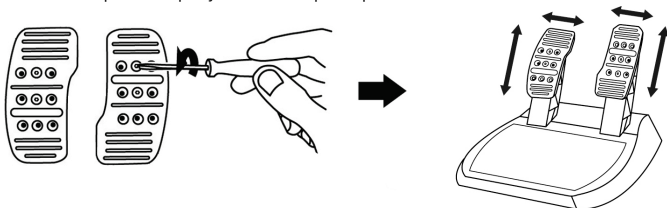
Pare de rodar o parafuso assim que sentir alguma resistência.

AJUSTAR A ALTURA E O ESPAÇAMENTO DOS PEDAIS

Com uma chave de fendas Phillips (não incluída), remova os 2 parafusos de fixação que prendem as cabeças dos pedais aos braços dos mesmos.

Em seguida, ajuste a altura e o espaçamento das cabeças dos pedais de acordo com o seu estilo de condução preferido:

- estão disponíveis 6 posições diferentes para o pedal do acelerador.
- estão disponíveis 6 posições diferentes para o pedal do freio.

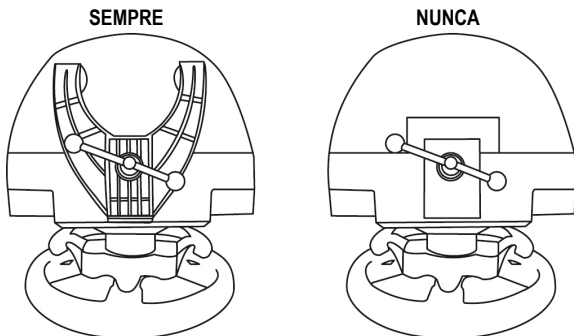


Quando estiver satisfeito com a altura e o espaçamento, volte a colocar e reaperte os 2 parafusos de fixação que prendem as cabeças dos pedais aos braços dos mesmos.

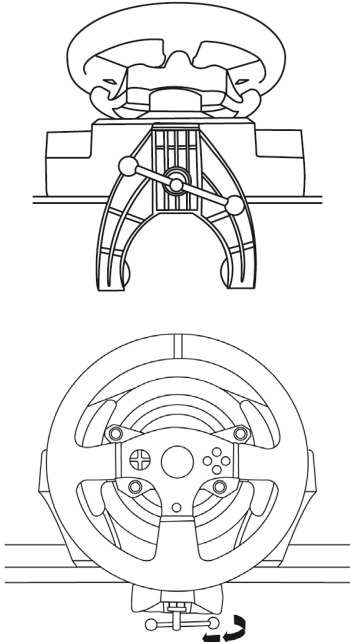
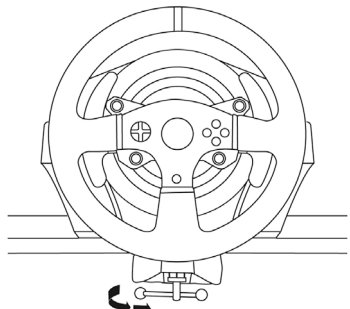
FIXAR O VOLANTE

Fixar o volante a uma mesa

1. Coloque o volante sobre uma mesa ou qualquer outra superfície horizontal, plana e estável.
2. Insira o parafuso de aperto (11) no sistema de fixação (10). Em seguida, aperte o dispositivo rodando o parafuso no sentido anti-horário, de forma que penetre no furo roscado grande (9) situado por baixo do volante, até o volante estar perfeitamente estável.



ATENÇÃO: Nunca aperte apenas o parafuso, sem o sistema de fixação instalado!
(Isso pode danificar o volante.)

FIXAÇÃO / REMOÇÃO	DIREÇÃO
<p><u>Para apertar:</u></p> <p><i>Rode o parafuso no sentido anti- horário</i></p>	
<p><u>Para soltar:</u></p> <p><i>Rode o parafuso no sentido horário</i></p>	

Fixar a base do volante a um cockpit

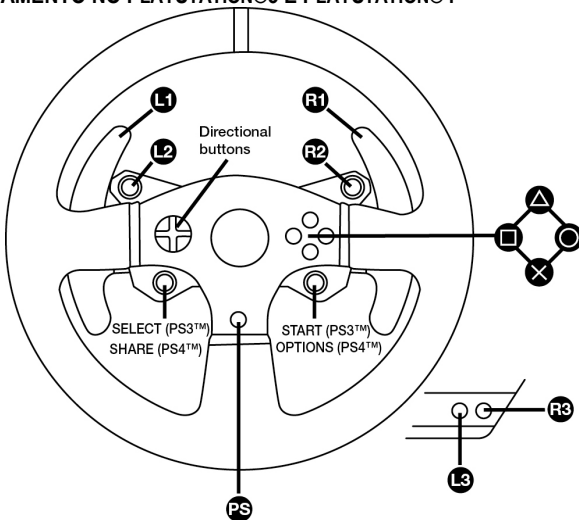
1. Coloque a base do volante na prateleira do cockpit.
2. Insira dois parafusos M6 (não incluídos) na prateleira do cockpit e enrosque-os nas duas roscas de parafuso pequenas situadas na parte inferior do volante.
Importante: O comprimento dos dois parafusos M6 não deve exceder a espessura da prateleira + 12 mm; os parafusos mais compridos poderão causar danos nos componentes internos situados na base do volante.
3. Se necessário, aperte o sistema de fixação padrão inserindo o parafuso de aperto no furo roscado grande.

Fixar o conjunto de pedais a um cockpit

1. Fixe o conjunto de pedais com as roscas de parafuso pequenas situadas na parte inferior.
2. Insira dois parafusos M6 (não incluídos) na prateleira do cockpit e enrosque-os nas duas roscas de parafuso pequenas situadas na parte inferior do conjunto de pedais.
Importante: O comprimento dos dois parafusos M6 não deve exceder a espessura da prateleira + 10 mm; os parafusos mais compridos poderão causar danos nos componentes internos situados no conjunto de pedais.

Estão disponíveis **esquemas de disposição para cockpits** (para posicionar a base do volante e/ou o conjunto de pedais) em <http://ts.thrustmaster.com>; na secção **Updates and Downloads**, clique em **PlayStation®/Wheels / T300 RS** e seleccione **Manual/Help file**.

MAPEAMENTO NO PLAYSTATION®3 E PLAYSTATION®4



CONFIGURAR O VOLANTE PARA OS SISTEMAS PLAYSTATION®3 OU PLAYSTATION®4

1. Conecte o conjunto de pedais ao conector (17) situado na parte traseira da base do volante.
2. Conecte o cabo de alimentação ao conector (14) situado na parte traseira da base do volante.
3. Conecte o cabo de alimentação a uma tomada elétrica com as mesmas especificações de tensão.



Para obter mais informações a este respeito, consulte a seção CONECTAR O VOLANTE A UMA TOMADA ELÉTRICA, na página 3 deste manual.

4. Ajuste o interruptor do seletor USB (5) na base do volante para a posição PS3™ ou PS4™, dependendo do console ou o jogo que está sendo usado.
5. Conecte o conector USB do volante (15) a uma das portas USB do console.
6. Quando o console for ligado, o volante será calibrado automaticamente.
7. No sistema PlayStation®4 (quando o interruptor do seletor USB está ajustado para a posição PS4™): pressione o botão PS (8) do volante e inicie a sessão no sua conta Sony Entertainment Network para poder usar o volante.

Você está pronto para começar a jogar!

Notas importantes:

- O interruptor do seletor USB (5) na base do volante deve ser sempre ajustado para a posição correta (PS3™ ou PS4™) antes de conectar o cabo USB do volante ao console. Para mudar a posição do interruptor do seletor, desconecte o cabo USB do console e mude a posição do interruptor antes de voltar a ligar o cabo USB ao console.
- No sistema PlayStation®3, o interruptor do seletor USB (5) deve estar sempre ajustado para a posição PS3™:
 - * O volante é reconhecido na maioria dos jogos como um volante T500 RS.
 - * O volante é funcional em jogos compatíveis e nos menus do console.
 - * A função “PS” é funcional no volante.
- No sistema PlayStation®4, com o interruptor do seletor USB (5) na posição PS3™:
 - * O volante é reconhecido na maioria dos jogos como um volante T500 RS.
 - * O volante é funcional em jogos compatíveis, mas não nos menus do console.
 - * As funções “SHARE” e “PS” não são funcionais no volante.
- No sistema PlayStation®4, com o interruptor do seletor USB (5) na posição PS4™:
 - * Não se esqueça de pressionar o botão PS (8) do volante para poder utilizá-lo.
 - * O volante é reconhecido na maioria dos jogos como um volante T300 RS.
 - * O volante é funcional em jogos compatíveis e nos menus do console.
 - * As funções “SHARE” e “PS” são funcionais no volante.
- *A lista de jogos para os sistemas PlayStation®3 e PlayStation®4 compatíveis com o T300 RS (juntamente com a posição necessária do interruptor do seletor USB (5) de acordo com o jogo utilizado) está disponível em:*
<http://ts.thrustmaster.com> (na seção Updates and Downloads,
clique em PlayStation® / Wheels / T300 RS).
Esta lista é atualizada regularmente.

CONFIGURAR O VOLANTE PARA O PC

Observação importante:

No PC, o interruptor USB(5) na base do volante deve sempre permanecer na posição PS3™.

1. Acesse <http://ts.thrustmaster.com> para baixar os drivers e software Force Feedback para PC. Na seção Updates and Downloads, clique em PC / Wheels / T300 RS e selecione Drivers.
2. Quando o download for concluído, inicie a instalação e siga as instruções na tela para conectar o volante ao computador via USB e completar a instalação.
3. Quando a instalação for concluída, clique em Finalizar e reinicie o computador.
4. Selecione Iniciar / Todos os Programas / Thrustmaster / FFB Racing Wheel / Painel de Controle para abrir a janela Controladores de Jogo

A janela Controladores de Jogo exibe o nome T300 RS Racing Wheel e o status OK.

5. Clique em Propriedades para configurar o volante no painel de controle do T300 RS.

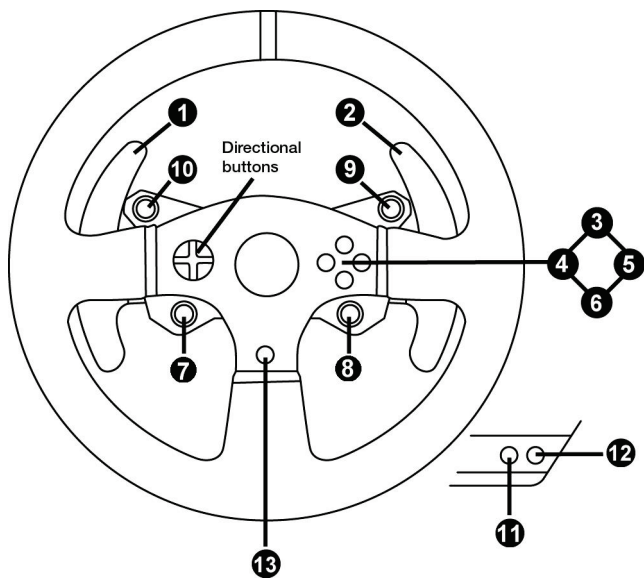
- Aba Test Input: permite testar e visualizar os botões de ação, os botões direcionais, os eixos do volante e dos pedais e ajustar o ângulo de rotação do volante em jogos para PC.
- Aba Test Forces: permite testar os 12 efeitos de force feedback.
- Aba Gain Settings: permite ajustar a força dos efeitos force feedback nos jogos para PC.

Você está pronto para jogar!

Observações gerais:

- No PC, clique em OK para fechar a janela Controladores de Jogo antes de iniciar o jogo.
- No PC, os ajustes feitos na janela Controladores de Jogo serão salvos apenas no computador (não terão efeito no PlayStation®3 ou PlayStation®4).
- A versão do firmware do volante é exibida no canto superior direito do painel de controle do T300 RS.

MAPEAMENTO PARA PC



ENGLISH

ESPAÑOL

FRANÇAIS

PORTUGUÊS

CALIBRAGEM AUTOMÁTICA DO VOLANTE E DO CONJUNTO DE PEDAIS

O volante é calibrado automaticamente quando conectado a uma tomada elétrica e o conector USB do volante ao console.

Durante esta fase, o volante roda rapidamente para a esquerda e direita, cobrindo um ângulo de 90 graus, antes de parar no centro.



ATENÇÃO:

Nunca toque no volante durante a fase de autocalibragem!
(Isso pode resultar numa calibragem incorreta e/ou em ferimentos pessoais.)

CALIBRAGEM AUTOMÁTICA DO CONJUNTO DE PEDAIS

Nunca conecte o conjunto de pedais à base do volante (nem o desconecte da base) quando estiver conectado ao console ou durante o jogo (isso pode resultar numa calibragem incorreta).

Sempre conecte o conjunto de pedais antes de conectar o volante ao console.

Quando a calibragem do volante estiver concluída e o jogo tiver iniciado, os pedais são calibrados automaticamente após pressionar algumas vezes.



ATENÇÃO:

Nunca pressione os pedais durante a fase de autocalibragem do volante ou quando um jogo estiver sendo carregado!
(Isso pode resultar numa calibragem incorreta.)

Se o volante e/ou o conjunto de pedais não funcionam corretamente, ou se parecem estar calibrados incorretamente:

Desligue o console e desconecte todos os cabos do volante. Em seguida, reconecte todos os cabos (incluindo o cabo de alimentação e o conjunto de pedais) e reinicie o console e o jogo.

SENSOR DE TEMPERATURA INTERNA

O sistema de refrigeração do volante é composto por um dissipador de calor e uma ventoinha.

- Um termostato monitora a temperatura interna do volante.
- Ao usar o volante num jogo:
 - A ventoinha de refrigeração é ativada quando o volante atinge uma determinada temperatura (após alguns minutos de jogo, em função da intensidade dos efeitos Force Feedback utilizados).
 - A potência dos efeitos Force Feedback diminui automaticamente assim que o volante atinge uma temperatura muito mais alta (para proteger o motor). A intensidade destes efeitos aumenta automaticamente assim que a temperatura desce ligeiramente.
- Ao terminar de jogar: devido à inércia térmica do motor, a ventoinha de refrigeração continua a funcionar até a temperatura ser inferior ao nível de ativação da ventoinha. O volante foi concebido desta forma para facilitar a refrigeração e proteger o motor (isto poderá demorar entre 5 e 45 minutos, dependendo da temperatura atingida ao utilizar o volante num jogo).

BOTÃO MODE E LUZ INDICADORA (6)

Botão MODE para o conjunto de pedais

O conjunto de pedais incluído com o T300 RS possui 2 pedais.

Ao usar este conjunto de pedais, certifique-se de que a luz indicadora permanece vermelha, caso contrário o pedal do acelerador não funcionará corretamente.

O T300 RS também é compatível com conjuntos de pedais Thrustmaster dotados de 3 pedais (*vendidos à parte*); estes permitem trocar eletronicamente os pedais do acelerador e da embraiagem.

Para fazer isso, basta pressionar o botão MODE (6) durante 2 segundos.

A memória interna do volante memoriza se os pedais foram trocados ou não.

PEDAIS DO ACELERADOR E DA EMBRAIAGEM	Cor da luz indicadora MODE (6)
NORMAL	VERMELHA
TROCADOS	VERDE

Outras sugestões relativas ao botão MODE

Para saber mais sobre o botão MODE e a luz indicadora, acesse <http://ts.thrustmaster.com>. Na seção **Updates and Downloads**, clique em **PlayStation® / Wheels / T300 RS** e selecione **Manual/Help file**.

COMPATIBILIDADE COM O ECOSISTEMA DE PRODUTOS THRUSTMASTER

A base do T300 RS é compatível com:

- Os seguintes volantes Thrustmaster destacáveis: "Ferrari F1 Wheel Add-on*", "Ferrari GTE Wheel Add-on*", "T300 RS PS Wheel", "T500 RS GT Wheel".
- O conjunto "Base Fixed Paddle Shifters", que permite instalar borboletas de mudança de marchas fixas na base.
- Os seguintes conjuntos de pedais Thrustmaster: "T3PA" (Thrustmaster 3 Pedals Add-on) e o conjunto de pedais do volante T500 RS.
- As seguintes alavancas de velocidades (caixas de marchas) Thrustmaster: "TH8A" e "TH8RS".

* Vendido à parte (para obter mais informações, visite <http://www.thrustmaster.com/products/t300rs>).

ARQUIVOS DE AJUDA E FAQ (NÃO INCLuíDOS NESTE MANUAL)

Acesse <http://ts.thrustmaster.com> e, na seção **Updates and Downloads**, clique em **PlayStation® / Wheels / T300 RS** e selecione **Manual/Help file**.

SUPORTE TÉCNICO

Se surgir algum problema com o seu produto, acesse <http://ts.thrustmaster.com> e clique em **Technical Support**. Lá você encontra vários utilitários, como as perguntas mais frequentes (FAQ) ou as versões mais recentes dos controladores e do software, capazes de ajudá-lo a resolver o seu problema. Se o problema persistir, contate o serviço de suporte técnico dos produtos Thrustmaster (“Suporte Técnico”):

Por e-mail:

Para usar o suporte técnico por e-mail, primeiro registre-se on-line. As informações que você fornecer ajudarão os agentes a resolver mais rapidamente o seu problema. Clique em **Registration** no lado esquerdo da página Technical Support e siga as instruções que surgirem na tela. Se já tiver feito o seu registo, preencha os campos **Username** e **Password** e clique em **Login**.

Informações sobre a garantia para o consumidor

A Guillemot Corporation S.A. (a seguir designada como "Guillemot") garante a nível mundial ao consumidor que este produto Thrustmaster está livre de defeitos em termos de materiais e fabricação durante um período de garantia que corresponde ao limite de tempo para intentar uma ação de conformidade relativamente a este produto. Nos países da União Europeia, isto corresponde a um período de dois (2) anos desde a entrega do produto Thrustmaster. Noutros países, o período de garantia corresponde ao limite de tempo para intentar uma ação de conformidade relativamente ao produto Thrustmaster de acordo com a legislação em vigor do país no qual o consumidor residia na data de compra do produto Thrustmaster (se a dita ação não existir no país correspondente, então o período de garantia será de um (1) ano a partir da data de compra original do produto Thrustmaster).

Não obstante o supracitado, as baterias recarregáveis estão cobertas por um período de garantia de seis (6) meses a partir da data de compra original.

No caso de o produto apresentar algum defeito durante o período da garantia, contate imediatamente o Suporte Técnico, que lhe indicará o procedimento a tomar. Se esse defeito se confirmar, o produto terá de ser devolvido ao respetivo local de compra (ou qualquer outro local indicado pelo Suporte Técnico).

No âmbito da presente garantia, e por opção do Suporte Técnico, o produto defeituoso do consumidor será reparado ou substituído. Se for permitido pela legislação em vigor, a responsabilidade total da Guillemot e das respetivas filiais (incluindo para danos indiretos) está limitada à reparação ou substituição do produto Thrustmaster. Se for permitido pela legislação em vigor, a Guillemot rejeita todas as garantias de comercialização ou adequação a um fim específico. Os direitos legais do consumidor no que concerne a legislação aplicável à venda de bens de consumo não são afetados pela presente garantia.

A presente garantia não se aplicará: (1) se o produto tiver sido modificado, aberto, alterado ou danificado em resultado de utilização inadequada ou abusiva, negligência, acidente, desgaste normal ou qualquer outra causa não relacionada a um defeito de material ou fabricação (incluindo, mas sem limitação, combinar o produto Thrustmaster com qualquer elemento inadequado, incluindo, em particular, fontes de alimentação, baterias recarregáveis, carregadores ou quaisquer outros elementos não fornecidos pela Guillemot para este produto); (2) na eventualidade de incumprimento das instruções fornecidas pelo Suporte Técnico; (3) a software, estando o mesmo sujeito a uma garantia específica; (4) a consumíveis (elementos para substituir ao longo da vida útil do produto, como baterias descartáveis e fones de ouvido, por exemplo); (5) a acessórios (cabos, estojos, bolsas, sacos e correias de pulso, por exemplo); (6) se o produto foi vendido num leilão público.

A presente garantia não é transmissível.

Disposições de garantia adicionais

Nos Estados Unidos da América e no Canadá, a presente garantia está limitada ao mecanismo interno e à caixa do produto. Em nenhuma circunstância serão a Guillemot ou as respetivas filiais consideradas responsáveis perante terceiros por quaisquer danos indiretos ou acidentais resultantes da violação de quaisquer garantias expressas ou implícitas. Alguns estados/províncias não permitem a limitação da duração de uma garantia implícita ou a exclusão ou limitação de responsabilidade por danos indiretos ou acidentais, pelo que as limitações ou exclusões supracitadas podem não se aplicar a si. A presente garantia concede-lhe direitos legais específicos, podendo ter também outros direitos, que variam consoante o estado ou a província.

Responsabilidade

Se for permitido ao abrigo da legislação aplicável, a Guillemot Corporation S.A. (a seguir designada "Guillemot") e as respetivas filiais rejeitam qualquer responsabilidade por danos resultantes de uma ou mais das seguintes causas: (1) o produto foi modificado, aberto ou alterado; (2) incumprimento das instruções de montagem; (3) utilização inadequada ou abusiva, negligência ou acidente (um impacto, por exemplo); (4) desgaste normal. Se for permitido ao abrigo da legislação aplicável, a Guillemot e as respetivas filiais rejeitam qualquer responsabilidade por danos relacionados a um defeito de material ou fabricação relativamente ao produto (incluindo, mas sem limitação, quaisquer danos causados direta ou indiretamente por qualquer software ou por combinar o produto Thrustmaster com qualquer elemento inadequado, incluindo, em particular, fontes de alimentação, baterias recarregáveis, carregadores ou quaisquer outros elementos não fornecidos pela Guillemot para este produto).

DECLARAÇÃO DE CONFORMIDADE

Aviso de Cumprimento dos EUA: Este equipamento foi testado e considerado em conformidade com os limites para um dispositivo digital Classe B, conforme a Parte 15 das regras da FCC.

DIREITOS AUTORAIS

© 2014 Guillemot Corporation S.A. Todos os direitos reservados. Thrustmaster® é uma marca registada da Guillemot Corporation S.A.

Fabricado e distribuído sob licença da Sony Computer Entertainment America LLC.

Playstation, o logotipo da família PS, PS3, PS4 eo "ΔΟΧ□" são marcas registradas da Sony Computer Entertainment Inc. Todas as outras marcas comerciais e nomes de marcas são por este meio reconhecidas e pertencem aos respectivos proprietários. As ilustrações não são vinculativas. Os conteúdos, desenhos e especificações estão sujeitos a alteração sem aviso prévio e podem variar de país para país. Fabricado na China.

Tecnologia TouchSense® sob licença da Immersion Corporation. Protegido por uma ou mais patentes norte-americanas disponíveis no endereço www.immersion.com/patent-marking.html e por outras patentes em processo de aprovação.

RECOMENDAÇÕES DE PROTEÇÃO AMBIENTAL

Respeite a legislação local sobre a reciclagem de equipamento elétrico e eletrónico.

Guarde estas informações. As cores e as decorações podem variar.

Os prendedores de plástico e os adesivos devem ser removidos do produto antes da utilização.

www.thrustmaster.com



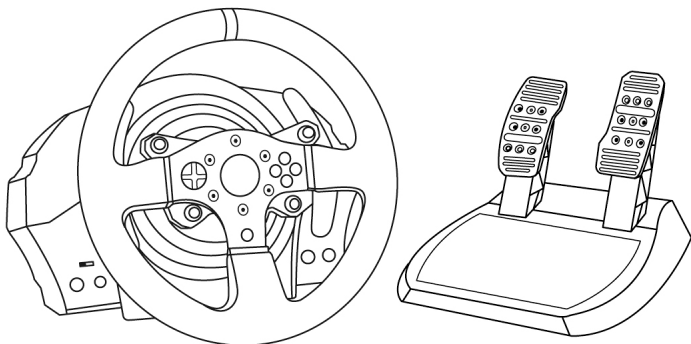
immersion.



T300RS

PlayStation®3 および PlayStation®4 用

ユーザーズマニュアル



警告:

PlayStation®3 または PlayStation®4 のシステムソフトウェアによっては、全ての機能がお使いいただけない場合があります。その場合は、最新のシステムソフトウェアにバージョンアップしてからご利用下さい。システムソフトウェアのバージョン確認およびアップデートに関しましてはお使いのゲーム機本体の取扱説明書を御覧ください。

本製品は PlayStation®2、PlayStation®および PS one®にはご使用になれません。本製品はワイヤレスコントローラーではありません。

本製品は PlayStation®2、PlayStation®、PS one®では、ご使用になれません。また、PlayStation®2規格のソフトウェアでの動作につきましては保証いたしかねます。

保証規定

※ 本製品を使用される前に必ずお読みください。

この度は、本製品をお買い上げいただき誠にありがとうございます。以下の保証規定をお読みいただき内容を同意の上、本製品をご使用ください。

初期不良期間はお買い上げ日から1週間とさせていただきます。

保証期間はお買い上げ日から1年間です。

注意：

個人売買（インターネット等）で購入された際の購入日は、保証開始日として起算できません。

社会的信用のある販売店での購入時のみ、購入日を保証開始日としますので、個人売買の場合は、商品の発売日から保証開始日として起算させていただきます。

製品がユーザーマニュアル記載の通常の使用法により正常に動作しなくなった場合は、弊社の判断で無償にて交換／修理いたします。完売等の場合は同等品と無償で交換いたします。

交換の場合、お客様からお送りいただいた製品等は返却いたしかねます。また、修理の際に取り外した部品等も返却いたしかねます。

保証期間内でも、次の場合は保証が受けられません。

1. 弊社製品と判断出来ない場合。
2. ハードウェア自身の消耗に起因する故障または損傷（本製品は性質上、物理的な機構の耐久性能に依存する製品寿命がございます）。
3. 火災、地震、水害、落雷、ガス害、塩害、その他の天災地変、公害や異常電圧による故障または損傷。
4. お買い上げ後の輸送、移動時の落下などお取り扱いが不適当なため生じた故障・損傷。
5. ご使用時の不備あるいは接続している他の機器によって生じた故障または損傷。
6. ユーザーマニュアルの記載内容に反するお取り扱いによって生じた故障または損傷。
7. 弊社以外で改造、調整、部品交換などをされた場合。
8. 本製品の故障に起因するデータ損失などの付随する損害に関しては一切保証できません。
9. ご使用環境との相性問題に関する返品、返金等。
10. ゲームソフトとの相性問題に関する返品、返金等。
11. 一般家庭以外（例えば業務用）でのご使用による故障、損傷または不具合。
12. その他、弊社が、交換を認め難い不適切な行為があると判断した場合。
13. 購入日が確認できるレシートがない場合。

カスタマーサポート

本製品に異常を感じられた場合は、すぐに使用を中止し、カスタマーサポートへご相談ください。

■保証を受ける際に用意するもの

購入店と購入した日付が分かる書類(購入時のレシート、保証書シール、保証書レシート、通販の代引伝票など)が必要となります。

それらは決して捨てたりせずに大切に保管してください。

ご購入日付を証明する書類をご提示いただけない場合、保証期間内であっても有償での修理対応となりますので、あらかじめご了承ください。

又、保証を受ける権利はご購入者以外(保証の譲渡)が所有する事はできません。

■ご送付についてのご案内

本製品に異常が発生した場合、カスタマーサポートにご相談頂いた後に、本製品をカスタマーサポートまでご送付いただく場合がございます。現象、環境等の詳細をお書き添え頂き、配送業者様の送り状(伝票)に「不良検証品」と明記の上、お買い上げ時のレシート等と共に本製品をお送りください。

発送される際は、紛失等のトラブルを防ぐため、必ず受領確認の取れる宅配便でご送付ください。

封書、郵便小包等の郵送は固くお断り申し上げます。

※ なお、輸送中の事故については、弊社にて責任を負いかねます。あらかじめご了承ください。

■交換／修理依頼時のご注意

以下の点をご了承の上、交換／修理をご依頼頂けますようお願いいたします。

1. 交換／修理のご依頼について:交換／修理のご依頼は日本国内にお住まいの方とさせていただきます。
2. 代替機の貸出について:交換／修理に伴う代替機の貸出等は行っておりません。
3. 製品の交換について:修理が困難な場合には、修理せずに同等品と交換させて頂く場合がございます。この場合、お客様にて貼られたシールなどはお返しできません。
4. お客様が設定されたデータについて:弊社にて修理作業を行う際にお客様が設定されたデータを消去する場合があります。この場合は、工場出荷初期状態でお返しすることとなります。(製品ごと交換する場合も同様です)

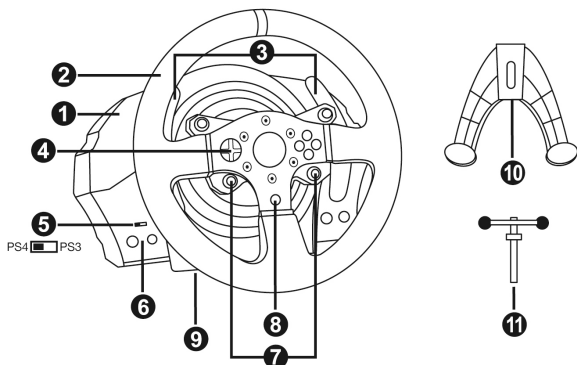
■送料について

1. 初期不良期間内(お買い上げ日から1週間):初期不良期間の送料は往復共に弊社が負担させていただきます。
2. 初期不良期間終了以降～保証期間終了まで:弊社にご送付頂く際の送料はお客様にてご負担願います。
3. 製品を返送する際の送料は弊社にて負担させていただきます。

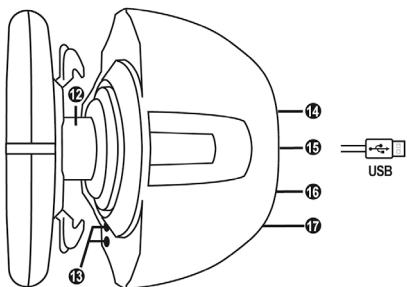
カスタマーサポート連絡先

MSY 株式会社 サポートセンター
埼玉県三郷市仁蔵字深田 485-1 TEL:048-934-5003
E-mail: game-support@msygroup.com
受付時間: 月曜日～金曜日 9:30～12:00 / 13:00～17:30
(土日祝日、長期連休を除く)

技術仕様



- | | |
|---------------------------|--|
| 1 T300RS ベース部 | 7 SELECT/START ボタン (PS3®) およ
び SHARE/OPTIONS (PS4™) |
| 2 PS ステアリングホイール | 8 PS ボタン |
| 3 シーケンシャル パドルシフト x 2 (上下) | 9 大きなねじ穴 (クランプ固定用) |
| 4 多方向パッド | 10 固定用クランプ |
| 5 PS3®/ PS4™ USB セレクタスイッチ | 11 クランプ固定ねじ |
| 6 MODE ボタン + 赤/緑インジケータランプ | |



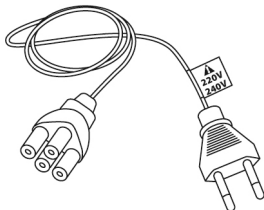
- | | |
|--|----------------------------------|
| 12 Thrustmaster Quick Release | 15 ステアリングホイール USB ケーブルと
コネクター |
| 13 L3/R3 ボタン | 16 シフトレバー(ギアボックス) コネクター
(別売) |
| 14 主電源コネクター(A または B タイプ)
(図によって異なります) | 17 ペダルセット用コネクター |

ステアリングホイールを電源コンセントに接続する前に: まず最初にお読みください!

ステアリングホイールの電源は、ご購入いただいた国によって異なります。主電源には以下のタイプがあります。

電源内蔵型:

- *電源ユニットがステアリングホイールのベース部に内蔵されており、A タイプのコネクターを搭載しています。
- * 220~240 V 主電源ケーブル
- = 220~240 V の電源コンセント専用です。

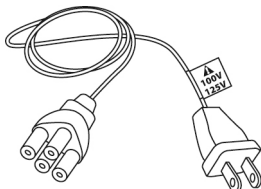


絶対に 220~240V の電源ケーブルを 100~130 V のコンセントに接続しないでください!!
絶対に、このケーブルを電源アダプターに接続しないでください!!



電源内蔵型:

- *電源ユニットがステアリングホイールのベース部に内蔵されており、A タイプのコネクターを搭載しています。
- ** 100~125 V 主電源ケーブル
- = 100~125 V の電源コンセント専用です。



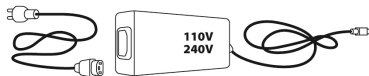
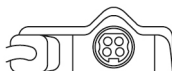
絶対に 100~125 V の電源ケーブルを 220~240V のコンセントに接続しないでください!!
絶対に、このケーブルを電源アダプターに接続しないでください!!



重要: 本製品をご使用になる地域の電源コンセントの電圧が分からない場合は、必ず管轄の電力会社などにお確かめください。

外部電源型:

- * B タイプのコネクターを搭載した外部電源ユニット。
- * 電源ケーブル。
- = 110~240V のすべての電圧に対応。



警告

本製品をお使いになる前に、このマニュアルをしっかりとお読みください。お読みになった後は、いつでも参照できる場所に保管してください。



警告 - 感電

- * 本製品を湿気・ホコリの多い場所や、直射日光のあたる場所で保管しないでください。
- * 接続手順に正しくしたがってください。
- * コネクタやケーブルを、ねじったり引っ張ったりしないでください。
- * 本製品やコネクタをぬらさないでください。
- * 本製品をショートさせないでください。
- * 分解や改造は絶対にしないでください。本製品を火の中に投棄したり、高温にさらしたりしないでください。
- * 付属の電源ケーブル以外は使用しないでください。
- * 電源ケーブルやコネクタが破損していたり、裂けていたり、断線している場合は絶対に使用しないでください。
- * 電源ケーブルの片方がコンセントにしっかり差し込まれており、もう片方がステアリングホイールのベース部の背面に正しく接続されていることをご確認ください。
- * 本製品を開けないでください。内部にユーザーが交換できる部品はありません。修理はメーカー、指定の修理業者、あるいは資格を有する技術者までご依頼ください。
- * メーカー指定のアタッチメントシステム/アクセサリー以外は使用しないでください。
- * ステアリングホイールの動作に異常（変なにおいや音、過度な発熱など）が発生したときは、使用をただちに中止し、電源ケーブルをコンセントから抜き、他のケーブルもすべて抜いてください。
- * 本製品を長期間使用しない場合には、主電源アダプターをコンセントから抜いてください。



排気口

ステアリングホイールのベース部にある排気口をふさがないでください。最適な排気を確認するため、下記の事項を必ず守ってください。

- * ベース部を、壁面から少なくとも 10cm 以上離してください。
- * ベース部を狭いスペースに置かないでください。
- * ベース部をふさがないでください。
- * 排気口にホコリがたまらないようにしてください。



ペダルセットは、裸足もしくは靴下しか着用していない状態で絶対に使用しないでください。安全のため、必ず靴を着用してください。

THRUSTMASTER® は、靴を着用せずにペダルセットを使用したことによって生じたいかなるケガについても一切責任を負いません。



警告 - フォースフィードバック、および繰り返しの動きによる負傷の可能性

フォースフィードバック対応ステアリングホイールを使ったゲームプレイは、筋肉や関節の痛みなどの症状を引き起こす恐れがあります。この危険性は、次のような予防措置をとることによって減らすことができます。

- * 長時間のプレイは避けてください。
- * 1 時間ごとに 10~15 分の休憩をとるようにしてください。
- * 手、手首、腕、足を始めとする身体の部位に疲れや痛みを感じたときはプレイをただちに中止し、再開する前に数時間の休憩をとるようにしてください。



警告 - フォースフィードバック、および繰り返しの動きによる負傷の可能性 (続き)

- * 休憩後にプレイを再開しても、上記の症状や痛みがとれない場合は、プレイを中止して医師に相談してください。
- * 本製品は、お子様の手の届かない場所で使用してください。
- * ゲーム中は常に、ステアリングホイールの正しい位置に両手を置いて使用してください。ステアリングホイールから両手を完全に離さないでください。
- * ゲームプレイ中は、ペダルの下およびペダルセット付近に指を絶対に置かないでください。
- * 調整中およびゲームプレイ中は、絶対に手や腕をステアリングホイールのすき間に置かないでください。
- * ステアリングホイールが、マニュアルの記載どおりにベース部に正しく固定されていることを確認してください。

重量注意

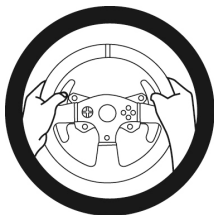


本製品の対象年齢は16歳以上です。



本製品を、自分や人に落とさないようにご注意ください！

正



誤



誤





警告 - ペダル挟まれ危険 (プレイ時)

- * ペダルセットは、お子様の手の届かない場所で使用および保管してください。
- * プレイ中は、ペダルの両サイド付近に指を絶対に置かないでください。
- * プレイ中は、ペダルの後方ベース部付近に指を絶対に置かないでください。
- * プレイ中は、ペダルのフロントベース部付近に指を絶対に置かないでください。

危険



危険



危険



警告 - ペダル挟まれ危険 (非プレイ時)

- * ペダルセットは、子供の手が届かない安全な場所に保管してください。

ファームウェアのアップデート

ステアリングホイールのベース部に搭載されているファームウェアは、製品機能の改良・強化が図られた最新ファームウェアにアップデートすることが可能です。

お使いのステアリングホイールの現在のファームウェアバージョンを表示し、必要に応じてアップデートを行うには次の URL にアクセスしてください (PC から): <http://ts.thrustmaster.com>。[Updates and downloads] から [PlayStation / Wheels / T300RS] をクリックし、[Driver / Firmware] を選択してファームウェアのダウンロードおよびインストール手順にしたがってください。

PS ステアリングホイールをベース部に固定する

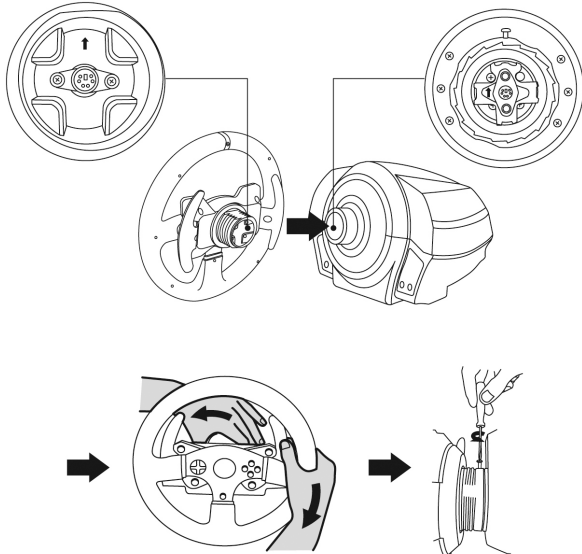
矢印を使って、コネクターの位置を合わせます。

ベース部 (1)コネクター:上向き矢印

ステアリングホイール (2)コネクター:上向き矢印

コネクターを正しい位置にセットしたら、Thrustmaster Quick Release (12) デバイスのリングを、ステアリングホイール (2) の位置を固定しながら反時計方向に回します。

次に、リングをできるだけきつく締めます。リングの位置を固定した状態で、ステアリングホイールを時計方向に回してください。



PS ステアリングホイールを装着したら、180° 回転させることで (ステアリングホイールを正面から見たとき、PlayStation® family markが逆さになります)、Thrustmaster Quick Release (12) デバイスのリング部に打ちこまれている小さな固定ねじが見えますので、大きなプラスドライバーで、固定ねじを時計方向に回して締めます (締めすぎ注意)。



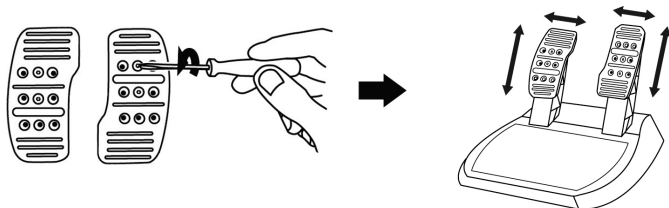
(プラスドライバーで)小さな固定ねじを締める際には、力の入れすぎにご注意ください。
少し抵抗を感じたら、それ以上ねじを回さないでください。

ペダルの高さの間隔の調整

プラスドライバー（付属していません）で、ペダルヘッドをペダルアームに固定している 2 本の取り付けネジを外します。

次に、ペダルヘッドをお好みの高さの間隔に調整します。

- アクセルペダルには、6 段階のセッティングが用意されています。
- ブレーキペダルにも、6 段階のセッティングが用意されています。

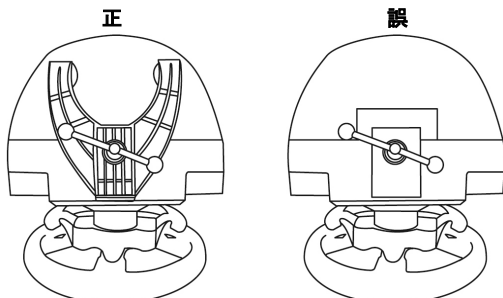


お好みの高さの間隔にセッティングしたら、ペダルヘッドをペダルアームに固定していた 2 本の取り付けねじを戻して締めます。

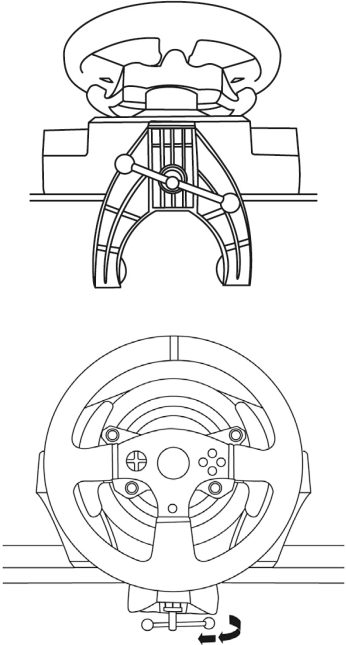
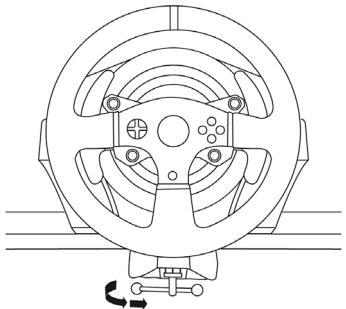
ステアリングホイールを取り付ける

ステアリングホイールをテーブルまたは机に取り付ける

1. ステアリングホイールを、テーブルなど平らで水平かつ、安定した場所に置きます。
2. 固定用クランプ(10)にクランプ固定ねじ(11)を差し込み、ねじを反時計方向に回して、ステアリングホイール底面の大きなねじ穴(9)に締め込みます（コントローラーがしっかりと固定されるまで）。



**警告：絶対に、アタッチメントシステムを取り付けずにねじだけを閉めないでください。
(ステアリングホイールが損傷する恐れがあります)**

取り付け / 取り外し	方向
<p>締めるとき:</p> <p>ねじを 反時計方向に回す</p>	
<p>取り外すとき:</p> <p>ねじを 時計方向に回す</p>	

ステアリングホイールのベース部をコックピットに取り付ける

1. ステアリングホイールのベース部を、コックピットの上に置きます。
2. 2本の M6 ねじ (付属していません) をコックピットに通し、ステアリングホイール底面の 2 つの小さなねじ穴に差し込みます。

重要:使用する 2 本の M6 ねじの長さが、コックピットの厚さ +12 mm を超えないようにしてください。それよりも長いねじを使用すると、ステアリングホイールの内部部品が破損する恐れがあります。

3. 必要であれば、大きなねじ穴に締め付けねじを差し込んで、標準アタッチメントシステムを取り付けてください。

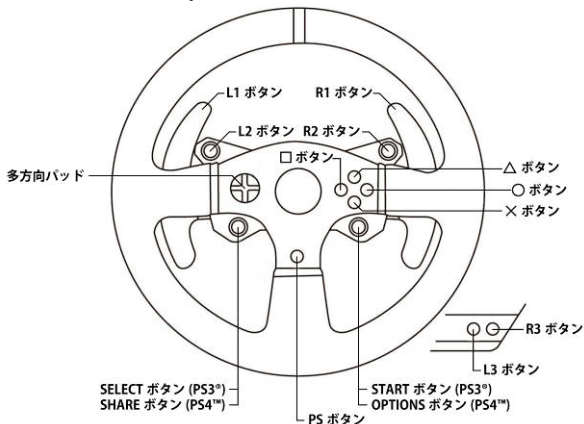
ペダルセットをコックピットに取り付ける

1. ペダルセットを、底面の小さなねじ山を使って取り付けます。
2. 2本の M6 ねじ (付属していません) をコックピットに通し、ペダルセット底面の 2 つの小さなねじ穴に差し込みます。

重要:使用する 2 本の M6 ねじの長さが、コックピットの厚さ +12 mm を超えないようにしてください。それよりも長いねじを使用すると、ペダルセットの内部部品が破損する恐れがあります。

(ステアリングホイールのベース部およびペダルセットのセッティングの際に使用する) コックピットのレイアウト図を参照するには、<http://ts.thrustmaster.com> にアクセスし、[Updates and downloads] から [PlayStation / Wheels / T300RS] をクリックし、[Manual/Help file] を選択してください。

PlayStation®3 および PlayStation®4 用コントロールレイアウト



ステアリングホイールを PlayStation®3 または PlayStation®4 用にセットアップする

1. ペダルセットを、ステアリングホイールのベース部背面にあるコネクタ(17)に接続します。
2. 電源ケーブルを、ステアリングホイールのベース部背面にあるコネクタ(14)に接続します。
3. 電源ケーブルを正しい電圧のコンセントに差し込みます。



詳しくは本マニュアル 3 ページの「ステアリングホイールを電源コンセントに接続する前に」の項をご参照ください。

4. ステアリングホイールのベース部にある USB セレクタスイッチ (5) を、使用しているゲーム機本体およびプレイしているゲームに応じて PS3®または PS4™ のポジションにセットします。
5. ステアリングホイールの USB コネクタ(15)を、ゲーム機本体のいずれかの USB ポートに接続します。
6. ゲーム機の電源をオンにすると、ステアリングホイールは自動調整を実行します。
7. PlayStation®4 (USB セレクタスイッチを PS4™ にセット時): ステアリングホイールを使用するには、ステアリングホイールの PS ボタン (8) を押してから、ゲーマープロフィールにログインしてください。

これでプレイの準備が整いました！

重要な注意:

-ステアリングホイールのベース部にある USB セレクタスイッチ (5) は、ステアリングホイールの USB ケーブルをゲーム機に接続する前に、必ず正しいポジション (PS3®または PS4™) にセットする必要があります。セレクタスイッチのポジションを変更する際は、USB ケーブルをゲーム機から取り外し、スイッチを変更してから再び USB ケーブルを接続し直します。

-On PlayStation®3 使用時には、USB セレクタスイッチ (5) は常に“PS3®”にセットしておく必要があります。

*このステアリングホイールは、多くのゲームで T500RS として認識されます。

*ステアリングホイールは、互換性のあるゲームおよびゲーム機のメニューで使用できます。

*“PS” ボタンが使用可能です。

-PlayStation®4 使用時に USB セレクタスイッチ (5) を“PS3®”にセットした場合:

*このステアリングホイールは、多くのゲームで T500RS として認識されます。

*ステアリングホイールは、互換性のあるゲームで使用できますが、ゲーム機のメニューでは使用できません。

*“SHARE” および “PS” ボタンは使用できません。

-PlayStation®4 使用時に USB セレクタスイッチ (5) を“PS4™”にセットした場合:

*ステアリングホイールの PS ボタン(8)を押さないと、ステアリングホイールを使用できません。

*このステアリングホイールは、多くのゲームで T500 RS として認識されます。

*ステアリングホイールは、互換性のあるゲームおよびゲーム機のメニューで使用できます。

*“SHARE” および “PS” ボタンが使用可能です。

-T300RS と互換性のある PlayStation®3 および PlayStation®4 用ゲームの一覧 (および各ゲームで必要な USB セレクタスイッチのポジション設定) は、以下の URL でご確認ください:

<http://ts.thrustmaster.com> ([Updates and downloads] で

[PlayStation / Wheels / T300RS] をクリックしてください。

この一覧は定期的に更新されます。

レーシングコントローラーを PC 用にセットアップする

重要な注意事項:

PC での使用時には、レーシングコントローラーのベース部にある USB スライドスイッチ (5) は常に「PS3™」のポジションにセットしておく必要があります。

1. <http://ts.thrustmaster.com> にアクセスして、PC 用のドライバーと Force Feedback ソフトウェアをダウンロードします。[Updates and downloads] から [PC / Wheels / T300 RS] をクリックし、[Drivers] を選択してください。
2. ダウンロードが完了したらインストールを開始し、画面上の指示にしたがってレーシングコントローラーの USB コネクタをコンピュータに接続してください。これでインストールは終了です。
3. インストールが終了したら、[終了] をクリックしてコンピュータを再起動します。
4. [スタート] > [すべてのプログラム] > [Thrustmaster] > [FFB Racing Wheel] > [Control Panel] を選択し、[ゲーム コントローラ] ダイアログを開きます。

[ゲーム コントローラ] ダイアログが開き、レーシングコントローラーの名前「T300 RS Racing Wheel」とステータス「OK」が表示されます。

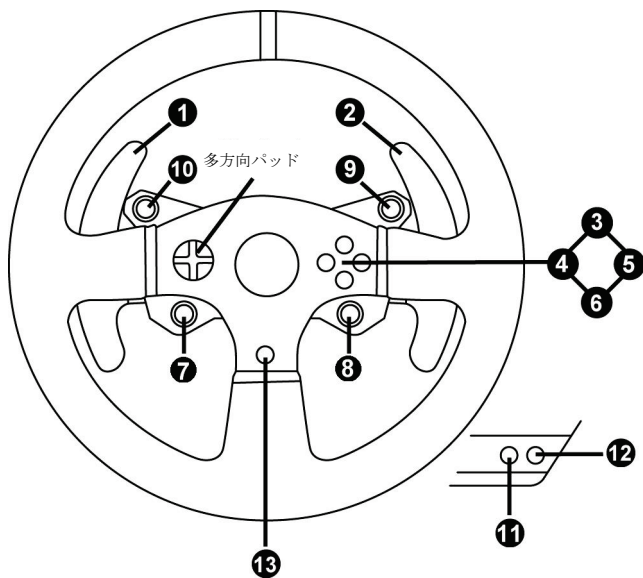
5. [プロパティ] をクリックし、T300 RS コントロールパネルでレーシングコントローラーの設定を行います。
 - ・ [テスト入力] タブ: アクションボタン、方向ボタン、ステアリングホイール、およびペダル軸のテストおよび表示や、PC ゲームにおけるステアリングホイールの回転角度などを調節できます。
 - ・ [フォーステスト] タブ: 12 種類のフォースフィードバック エフェクトをテストできます。
 - ・ [ゲイン設定] タブ: PC ゲームにおけるフォースフィードバック エフェクトの強さを調節できます。

これでプレイの準備が整いました！

一般的な注意事項:

- ゲームを起動する前に、PC 上で [ゲーム コントローラ] ダイアログを閉じてください。
- PC 上の [ゲーム コントローラ] ダイアログで行った調節は、コンピュータにのみ保存されません (したがって PlayStation®3 および PlayStation®4 に対しては反映されません)。
- レーシングコントローラーのファームウェアのバージョンは、T300 RS コントロールパネルのタブの右上隅に表示されます。

PC 用コントロールレイアウト



ステアリングホイールとペダルセットの自動調整

ステアリングホイールを電源コンセントにつなげて、ステアリングホイールの USB コネクタをゲーム機に接続すると、ステアリングホイールの自動調整が実行されます。

自動調整では、ステアリングホイールが左右方向に合計 900° すばやく回転し、最後にセンターで停止します。



警告:

自動調整が行われている間は、絶対にステアリングホイールに触れないでください。
(調整が正しく行われなかったり、ケガをしたりする恐れがあります。)

ペダルセットの自動調整

ステアリングホイールがゲーム機に接続されている状態、もしくはゲームプレイ中は、絶対にペダルセットをステアリングホイールのベース部に接続 (またはベース部から取り外したり) しないでください。調整が正しく行われな場合があります。

ペダルセットは必ず、ステアリングホイールをゲーム機に接続する前に、ステアリングホイールに接続してください。

ステアリングホイールの調整が完了してゲームが起動した後、ペダルを数回踏むとペダルは自動的に調整されます。



警告:

ステアリングホイールの自動調整が行われている間、およびゲームのローディング中は絶対にペダルを踏まないでください！
(調整が正しく行われな可能性もあります)

ステアリングホイールやペダルセットが正しく動作しない、あるいは調整が正しくないと思われる場合:

ゲーム機の電源を切り、ステアリングホイールのすべてのケーブル (電源アダプターとペダルセット) を抜いてから、ゲームをもう一度起動してみてください。

内部温度センサー

ハンドルの冷却システムはヒートシンクとファンで構成されています。

- サーモスタットがステアリングホイールの内部温度をモニターします。
- ゲームでステアリングホイールを使用時には:
 - ハンドルが一定の温度に達すると冷却ファンが始動します。(使用するフォースフィードバック効果がどれほど強いかによりますが、通常はゲーム開始の 2、3 分後)。
 - フォースフィードバックの効果は、ハンドルの温度がかなり高くなると直ちに自動的に小さくなります (モーターを保護するため)。温度が若干低くなると、フォースフィードバック効果は再び強くなります。
- ゲーム終了後も、モーターの余熱のため、温度がファンの始動温度に下がるまで冷却ファンは運転を続けます。ハンドルは冷却を助け、モーターを保護するためにこのように設計されています。(ゲームでハンドル使用中に達した温度によって 5 分から 45 分ほどかかります)

MODE ボタンおよびインジケータランプ (6)

ペダルセット用 MODE ボタン

T300RS に付属するペダルセットは、2 個のペダルで構成されています。

ペダルセット使用時には、インジケータの色が常に赤であることを確認してください。そうでない場合、アクセルペダルが正しく動作しません。

T300RS は、ペダル 3 個で構成された Thrustmaster ペダルセットとも互換性があります (別売)。使用時には、アクセルペダルとクラッチペダルを電子的にスワップ (切り替え) することができます。

スワップを行う場合は、MODE ボタン (6) を 2 秒間押し続けます。

ペダルのスワップ状態は、ステアリングホイールの内蔵メモリに保存されます。

アクセルとクラッチペダル	MODE インジケータ (6) の色
通常	赤
スワップ	緑

MODE ボタンについての追加ヒント

MODE ボタンおよびインジケータランプについてさらに詳しく知るには、<http://ts.thrustmaster.com> をご覧ください。[Updates and downloads] から [PlayStation / Wheels / T300RS] をクリックし、[Driver / Firmware] を選択してから、[Manual/Help file] を選択してください。

他の THRUSTMASTER 製品との互換性

T300RS は、以下の Thrustmaster 製各種オプションと組み合わせ、操作の幅やリアリティを広げることができます。

- 以下の脱着式 Thrustmaster ステアリングホイール: “Ferrari F1 Wheel Add-on*”、“Ferrari GTE Wheel Add-on*”、“T300RS PS Wheel”、“T500RS GT Wheel*”。
- “Base Fixed Paddle Shifters*” キット (ベース部に固定パドルシフトを設置できます)。
- 以下の Thrustmaster ペダルセット: “T3PA*” (Thrustmaster 3 Pedals Add-on) および T500RS ステアリングホイールのペダルセット。
- 以下の Thrustmaster シフトレバー(ギヤボックス): “TH8A*” および “TH8RS*”。

* 別売 (詳しくは次の URL をご参照ください)

<http://www.thrustmaster.com/products/t300rs>。

対応ゲームソフト


* 本製品が対応しておりますゲームソフトは以下の HP に記載されております。

(http://www.thrustmaster.com/jp_JP/products/t300rs)

ヘルプ ファイルとよくある質問 (本マニュアルには記載されていません)

<http://ts.thrustmaster.com> にアクセスし、[Updates and downloads] から [PlayStation / Wheels / T300RS] をクリックし、[Driver / Firmware] を選択してください。

著作権

© 2014 Guillemot Corporation S.A. All rights reserved. Thrustmaster® は、Guillemot Corporation S.A. の登録商標です。“”、“PlayStation”および“PS3”は株式会社ソニー・コンピュータエンタテインメントの登録商標です。また、“PS4”および“PSN”は同社の商標です。その他、本書に記載の登録商標およびブランド名は、それぞれの所有者に帰属します。本書に含まれるイラストには法的拘束力はありません。本書に含まれる内容、設計および仕様は、事前の通告なしに変更される場合があります。また、各国で異なる場合があります。Made in China.

TouchSense® テクノロジーは、Immersion Corporation からライセンスを許諾されています。以下の 1 つまたは複数の米国特許、およびその他の申請中の特許によって保護されています。詳細は www.immersion.com/patent-marking.html にてご覧いただけます。

環境保護推奨

国内の電気電子機器のリサイクル法を遵守してください。

リサイクルのための廃機器の収集地点や廃棄方法についての詳細は、お住まいの地域の自治体までお問い合わせください。

この情報は大切に保管してください。色や形状は実際の製品と異なる場合があります。本製品をご使用になる前に、プラスチック留め具や粘着テープなどはすべて取り除いてください。

www.thrustmaster.com
Made in China.



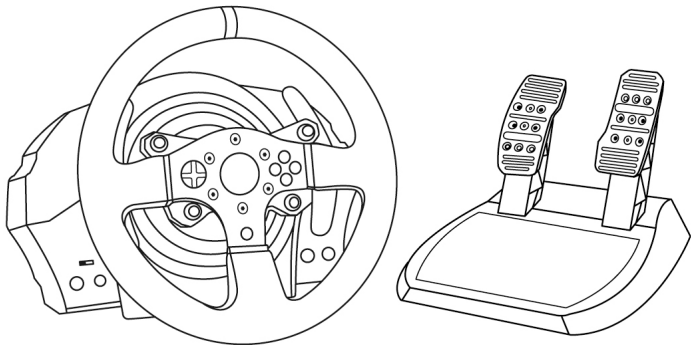

immersion.



T300RS

PLAYSTATION®3 – PLAYSTATION®4 용

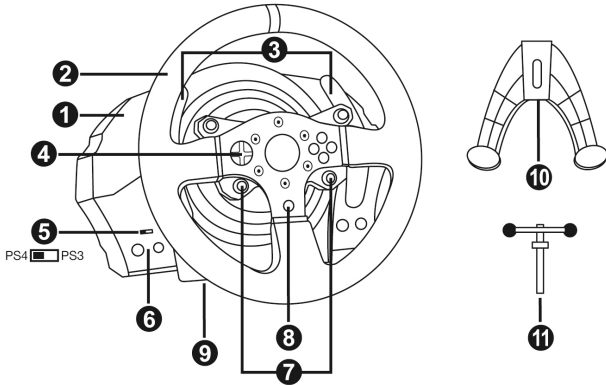
사용설명서



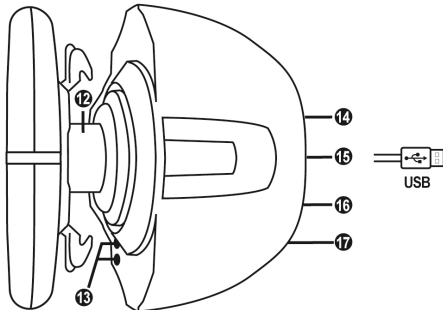
경고:

PlayStation®3 또는 PlayStation®4 용 게임에서 T300 RS 레이싱 핸들의 기능이 올바르게 발휘되도록 하려면, 게임의 자동 업데이트를 설치해야 할 수도 있습니다
(콘솔이 인터넷에 연결되면 자동 업데이트 기능을 사용할 수 있습니다).

기술적 특징:



- | | |
|---|---|
| <ul style="list-style-type: none"> 1 T300 RS 베이스 2 PS 핸들 3 2 개의 시퀀셜 기어 패들 시프터 (위 및 아래) 4 방향 버튼 5 PS4™ 또는 PS3™ USB 슬라이딩 스위치 6 MODE (모드) 버튼 + 적색/녹색 표시등 | <ul style="list-style-type: none"> 7 SELECT/START (선택/시작) 버튼 - PS3™ 및 SHARE/OPTIONS (공유/옵션) 버튼 - PS4™ 8 PS 버튼 9 대형 나사 구멍 (부착 시스템 및 나사 조임에 사용) 10 부착 시스템 11 금속 조임나사 |
|---|---|



- | | |
|---|---|
| <ul style="list-style-type: none"> 12 Thrustmaster (트러스트마스터) 클릭 릴리즈 13 L3/R3 버튼 14 전원공급장치 커넥터 (A 형 또는 B 형)
(나라마다 다름) | <ul style="list-style-type: none"> 15 레이싱 핸들 USB 케이블 및 커넥터 16 시프터 (변속기) 커넥터
(별도 판매) 17 페달 세트 커넥터 |
|---|---|

레이싱 핸들을 전기 콘센트에 연결하기: 연결하기 전에 읽어 주십시오!

레이싱 핸들의 전원공급장치는 기기를 구매한 국가별로 다릅니다.

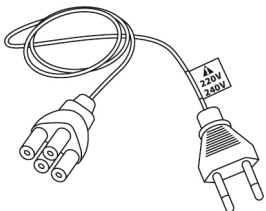
한국의 경우 전원공급장치:

내부:

* 전원공급장치 (C 형 커넥터) 가 레이싱 핸들 베이스 내부에 위치.

* 220-240 V 전원 공급 케이블.

= 220-240 V 전원만 사용 가능.



220-240 V 케이블을 절대로 100-130 V 전원 콘센트에 연결하지 마십시오!!!

이 케이블을 절대로 전원 어댑터에 연결하지 마십시오!!!

경고

이 제품을 사용하기 전에 이 설명서를 주의 깊게 읽고 나중에 참고할 수 있도록 잘 보관하시기 바랍니다.



경고 - 감전

- * 본 제품은 건조한 곳에 보관해야 하며, 먼지나 태양광선에 노출시키지 마십시오.
- * 커넥터 및 케이블을 비틀거나 잡아 당기지 마십시오.
- * 본 제품이나 제품의 커넥터에 액체를 흘리지 마십시오.
- * 제품을 단락 (합선) 시키지 마십시오.
- * 제품을 절대 분해하지 마십시오. 볼 속에 제품을 던지지 마십시오. 제품을 고온에 노출시키지 마십시오.
- * 레이싱 핸들과 함께 제공된 전원 공급 케이블이 아닌 다른 케이블을 사용하지 마십시오.
- * 전원 공급 케이블 또는 커넥터가 손상되거나, 갈라지거나 파손된 경우 케이블을 사용하지 마십시오.
- * 전원 공급 케이블이 전원 콘센트에 올바르게 끼워져 있고, 레이싱 핸들 베이스 뒷면의 커넥터에 올바르게 연결되어 있는지 확인하십시오.
- * 레이싱 핸들을 열지 마십시오. 핸들 내부에는 사용자가 수리할 수 있는 부품이 없습니다. 모든 수리는 제조사, 제조사가 승인한 대리점 또는 자격을 갖춘 기술자가 수행해야 합니다.
- * 제조사가 지정한 부착 시스템/부속품만 사용하십시오.
- * 핸들이 비정상적으로 작동하면 (비정상적인 소리, 열, 또는 냄새가 나는 경우), 즉시 사용을 중단하고 콘센트에서 전원 케이블을 뽑고, 다른 케이블들의 연결을 해제하십시오.
- * 레이싱 핸들을 장시간 동안 사용하지 않을 경우에는 콘센트에서 전원 공급 케이블을 뽑으십시오.



공기 환기구

레이싱 핸들 베이스에 있는 어떠한 공기 환기구도 막지 마십시오. 최적의 환기를 위해 다음 사항을 준수하십시오.

- * 핸들 베이스와 모든 벽면 사이에는 최소 10cm의 간격을 두십시오.
- * 좁은 공간에 베이스를 두지 마십시오.
- * 베이스를 덮지 마십시오.
- * 공기 환기구에 먼지가 쌓이지 않게 하십시오.



안전한 사용을 위해 페달 세트를 절대 맨발 또는 양말만 신은 상태에서 조작하지 마십시오.

THRUSTMASTER®는 신발 없이 페달 세트를 조작함으로써 발생하는 부상에 대해 어떠한 책임도 지지 않습니다.



경고 - 포스 피드백 (충격 또는 진동 체감) 및 반복적인 움직임으로 인한 부상 위험

포스 피드백 (게임 기기에서 충격 또는 진동을 실제로 체감하는 기능) 레이싱 핸들을 이용해서 게임하는 경우 근육이나 관절의 통증을 가져올 수 있습니다. 이러한 문제를 예방하려면 다음 사항을 준수하십시오.

- * 장시간 동안 게임하지 마십시오.
- * 게임 중 한 시간 당 10 ~ 15 분 정도 휴식을 취하십시오.
- * 손, 손목, 팔, 발, 다리가 피로하거나 통증이 있는 경우 게임을 중지한 후 두 세 시간 쉬었다가 다시 게임을 진행하십시오.
- * 게임을 다시 시작할 때 위에 설명한 증상이나 통증이 계속되는 경우에는 게임을 중단한 후 의사와 상담하십시오.
- * 어린이가 접근하지 못하게 하십시오.
- * 게임 중에는 반드시 양손으로 올바르게 핸들을 잡되, 핸들에서 양손을 모두 놓으면 안 됩니다.
- * 게임 중에는 양손이나 손가락을 절대 페달 밑에 두거나 페달 세트 근처에 두면 안 됩니다.
- * 보정 작업 중이나 게임 중에 레이싱 핸들의 구멍 속에 손이나 팔을 넣으면 절대로 안 됩니다.
- * 레이싱 핸들 베이스는 이 사용설명서의 지시대로 제대로 고정시켜야 합니다.

중량 제품



본 제품은 만 16세 이상의 사용자만 조작해야 합니다



본 제품을 본인이나 다른 사람에게 떨어뜨리지 않도록 주의하십시오!

반드시 준수



절대 금지



절대 금지





경고 - 게임 중 페달 세트에 끼임 위험

- * 페달 세트에 어린이가 접근하지 못하게 하십시오.
- * 게임 중에 절대로 페달 위 또는 근처에 손가락을 놓지 마십시오.
- * 게임 중에 절대로 페달의 뒷면 베이스 위 또는 근처에 손가락을 놓지 마십시오.
- * 게임 중에 절대로 페달의 앞면 베이스 위 또는 근처에 손가락을 놓지 마십시오.

절대 금지



절대 금지



절대 금지



경고 - 게임하지 않을 때 페달 세트에 끼임 위험

- * 페달 세트는 항상 어린이의 손이 닿지 않는 안전한 장소에 보관하십시오.

레이싱 핸들 펌웨어 업데이트

레이싱 핸들 베이스에 포함된 펌웨어는 제품을 개선시킨 최신 버전으로 업데이트할 수 있습니다.

레이싱 핸들이 현재 사용 중인 펌웨어 버전을 표시하고 필요한 경우 버전을 업데이트 하려면 PC에서 다음 사이트에 연결합니다. <http://ts.thrustmaster.com>. Updates and Downloads (업데이트 및 다운로드) 부분에서 PlayStation®/Wheels/T300 RS (PlayStation®/핸들/T300 RS) 을 클릭한 후 Driver/Firmware (드라이버/펌웨어) 를 선택하고 다운로드 및 설정 절차를 설명하는 지시사항을 따르십시오.

레이싱 핸들을 핸들 베이스에 설치하기

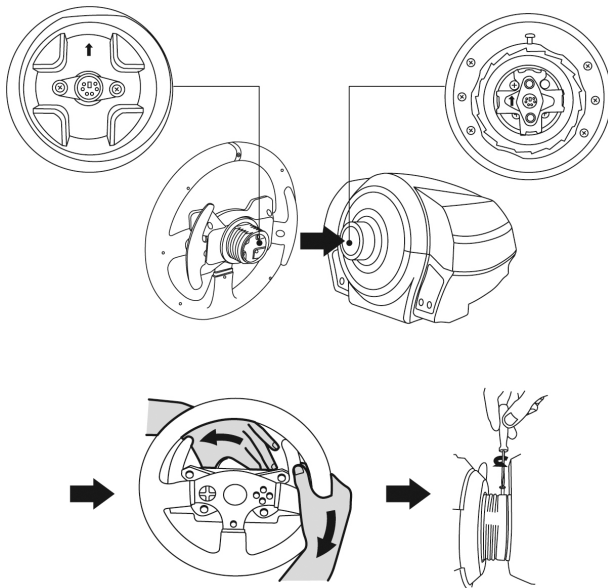
화살표들을 이용해서 커넥터 위치를 맞춥니다.

베이스 (1) 커넥터: 위쪽을 가리키는 화살표

레이싱 핸들 (2) 커넥터: 위쪽을 가리키는 화살표

커넥터들을 올바른 위치에 놓은 후 레이싱 핸들 (2) 을 제 위치에 고정시킨 상태에서 Thrustmaster (트러스트마스터) 릭 릴리즈 (12) 장치의 링을 시계 반대 방향으로 돌리면 됩니다.

그 다음에 링을 최대한 조입니다. 링을 최대한 조이려면 링을 제 위치에 고정시킨 상태에서 레이싱 핸들을 시계 방향으로 돌립니다.



레이싱 핸들을 장착한 후에는 Thrustmaster 릭 릴리즈 장치 (12) 의 링에 있는 소형 부착 나사에 손이 닿을 수 있도록 핸들을 180° 회전시키십시오 (핸들을 마주봤을 때 PlayStation®로고의 위아래가 뒤집힌 상태이어야 합니다). 대형 십자 드라이버로 소형 부착 나사를 시계 방향으로 돌려 조입니다 (무리한 힘을 가하지 마십시오).



(십자 드라이버를 이용해서) 소형 부착 나사를 조일 때 무리한 힘을 가하지 마십시오!

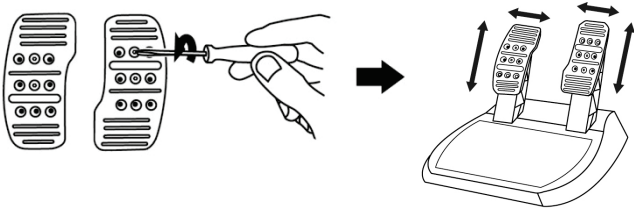
무언가 닿은 느낌이 있으면 즉시 나사 돌리기를 멈추십시오.

페달 높이 및 간격 조정

십자 드라이버 (제품에 포함되지 않음) 를 이용해서 페달 헤드를 페달암에 고정시키고 있는 2개의 부착 나사를 빼냅니다.

그 다음에 페달 헤드의 높이와 간격을 다음과 같이 원하는 드라이브 스타일에 맞도록 조정합니다.

- 가속 페달에는 6개의 서로 다른 위치를 사용할 수 있습니다.
- 브레이크 페달에도 6개의 서로 다른 위치를 사용할 수 있습니다.



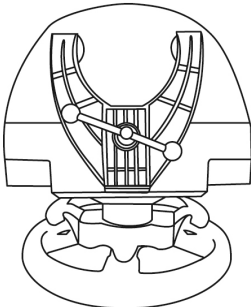
원하는 높이와 간격으로 조정한 후에는 2개의 부착 나사를 조여서 페달 헤드를 페달암에 고정시킵니다.

레이싱 핸들 부착하기

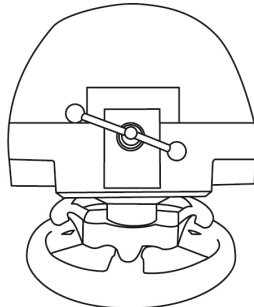
테이블이나 책상에 레이싱 핸들 부착하기

1. 레이싱 핸들을 테이블 또는 수평 상태의 평평하고 안정된 표면 위에 놓습니다.
2. 조임 나사 (11) 를 부착 시스템 (10) 에 삽입한 후, 나사를 시계 반대 방향으로 돌려서 기기를 조입니다. 이때, 레이싱 핸들 밑에 있는 대형 나사 구멍 (9) 에 나사를 끼워서 기기가 완전히 고정될 때까지 삽입합니다.

반드시 준수

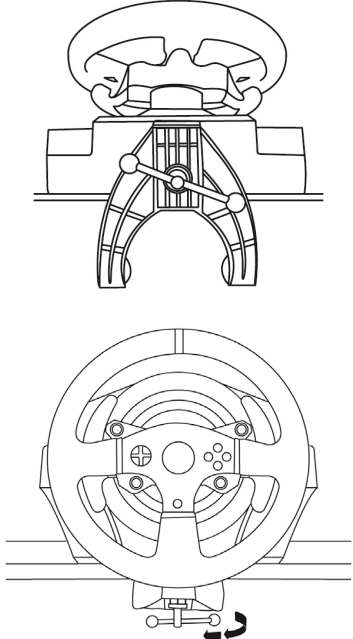
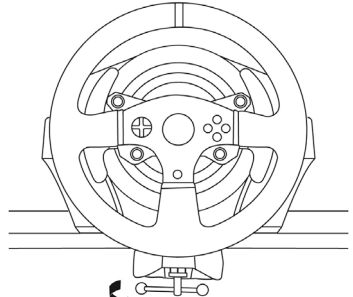


절대 금지



경고: 부착 시스템 없이 절대로 나사만 조이지 마십시오!

(나사만 조이면 레이싱 핸들이 파손될 수 있습니다.)

부착/제거	방향
<p>조이기: 나사를 시계 반대 방향으로 돌립니다</p>	
<p>풀기: 나사를 시계 방향으로 돌립니다</p>	

레이싱 핸들 베이스를 조종석에 부착하기

1. 레이싱 핸들 베이스를 조종석 선반에 놓습니다.
2. 조종석 선반을 통해 2 개의 M6 나사 (제품에 포함되지 않음) 를 밀어넣은 후, 레이싱 핸들 밑에 있는 2 개의 소형 나사산 속에 삽입합니다.

중요: 두 개의 M6 나사의 길이가 '선반 두께 + 12mm'를 초과하면 레이싱 핸들 베이스에 장착된 내부 부품을 파손시킬 수 있으므로 나사의 길이는 '선반 두께 + 12mm'를 초과하면 안 됩니다.

3. 필요한 경우 조임 나사를 대형 나사 구멍에 끼워서 표준형 부착 시스템을 조이십시오.

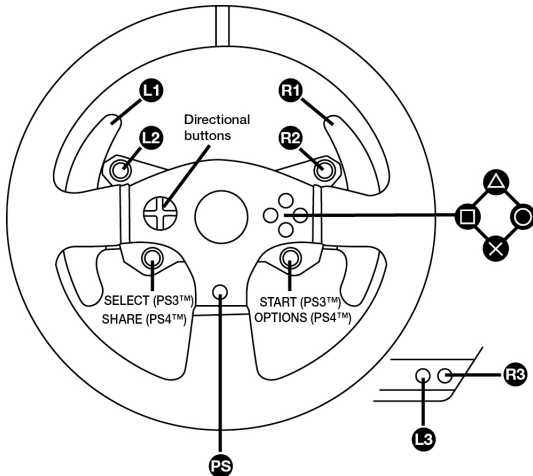
페달 세트를 조종석에 부착하기

1. 페달 세트 밑에 있는 소형 나사 구멍을 이용해서 페달 세트를 부착합니다.
2. 조종석 선반을 통해 2 개의 M6 나사 (제품에 포함되지 않음) 를 밀어넣은 후, 페달 세트 밑에 있는 2 개의 소형 나사산 속에 삽입합니다.

중요: 두 개의 나사 길이가 '선반 두께 + 10 mm'를 초과하면 페달 세트에 장착된 내부 부품을 파손시킬 수 있으므로 나사의 길이는 '선반 두께 + 10mm'를 초과하면 안 됩니다.

조종석 배치도 (레이싱 핸들 및/또는 페달 세트 위치 결정용) 는 <http://is.thrustmaster.com> 에서 구할 수 있습니다. **Updates and Downloads** (업데이트 및 다운로드) 부분에서 **PlayStation®/Wheels/T300 RS** (PlayStation® 핸들/T300 RS) 을 클릭한 후 **Manual/Help** (사용설명서/도움말) 파일을 선택하십시오

PLAYSTATION®3 및 PLAYSTATION®4 매핑



PLAYSTATION®3 또는 PLAYSTATION®4 용 레이싱 핸들 설정

1. 페달 세트를 레이싱 핸들 베이스에 있는 커넥터 (17) 에 연결합니다.
2. 전원 공급 케이블을 레이싱 핸들 베이스에 있는 커넥터 (14) 에 연결합니다.
3. 전원 공급 케이블을 동일한 전압을 공급하는 전원 콘센트에 연결합니다.



이에 대한 자세한 내용은 이 사용설명서 3 페이지의 레이싱 핸들을 전기 콘센트에 연결하기 부분을 참조하십시오

4. 사용 중인 콘솔이나 게임에 맞게 레이싱 핸들의 베이스에 있는 슬라이딩 스위치 (5) 를 PS3™ 또는 PS4™로 설정합니다.
5. 레이싱 핸들의 USB 커넥터 (15) 를 USB 포트의 콘솔 중 하나에 연결합니다.
6. 콘솔의 전원이 켜지면 레이싱 핸들이 자동으로 보정됩니다.
7. PlayStation®4 의 경우 (USB 슬라이딩 스위치가 PS4™ 위치로 설정된 경우) : 핸들을 사용하려면, 레이싱 핸들의 PS 버튼 (8) 을 누른 다음 Sony Entertainment Network (Sony 엔터테인먼트 네트워크) 계정에 로그인합니다.

이제 레이싱 준비가 되었습니다!

중요 참고:

- 핸들의 USB 케이블을 콘솔에 연결하기 전에 반드시 레이싱 핸들의 베이스에 있는 USB 슬라이딩 스위치 (5) 를 올바른 위치 (PS3™ 또는 PS4™) 로 설정해야 합니다. 슬라이딩 스위치의 위치를 변경하려면 콘솔에서 USB 케이블을 뺀 후 스위치의 위치를 변경한 후 USB 케이블을 콘솔에 다시 연결합니다.
- PlayStation®3 의 경우, 즉 USB 슬라이딩 스위치 (5) 가 PS3™ 위치로 설정된 경우:
 - * 대부분의 게임에서 핸들을 T500RS 핸들로 인식합니다.
 - * 호환되는 게임과 콘솔 메뉴에서 핸들이 기능을 발휘합니다.
 - * 핸들에서 “PS” 기능이 작동합니다.
- PlayStation®4 에서 USB 슬라이딩 스위치 (5) 가 PS3™ 위치로 설정된 경우:
 - * 대부분의 게임에서 핸들을 T500RS 핸들로 인식합니다.
 - * 핸들이 호환되는 게임에서는 기능을 발휘하지만, 콘솔 메뉴에서는 기능을 발휘하지 않습니다.
 - * 핸들에서 “SHARE” (공유) 및 “PS” 기능이 작동하지 않습니다.
- On PlayStation®4 에서 USB 슬라이딩 스위치 (5) 가 PS4™ 위치로 설정된 경우:
 - * 핸들을 사용하려면, 레이싱 핸들의 PS 버튼 (8) 을 반드시 눌러야 합니다.
 - * 대부분의 게임에서 핸들이 T300 RS 핸들로 인식됩니다.
 - * 호환되는 게임과 콘솔 메뉴에서 핸들이 기능을 발휘합니다.
 - * 핸들에서 “SHARE” (공유) 및 “PS” 기능이 작동합니다.

T300 RS 와 호환되는 PlayStation®3 및 PlayStation®4 게임의 목록 (및 실행 중인 게임에 따라 슬라이딩 스위치 (5) 에 필요한 위치에 관한 내용) 은 다음 웹사이트에서 확인할 수 있습니다.

<http://ts.thrustmaster.com>

(Updates and Downloads (업데이트 및 다운로드) 부분에서 PlayStation®/Wheels/T300 RS

(PlayStation®/핸들/T300 RS) 을 클릭하십시오.) .

이 목록은 정기적으로 업데이트됩니다.

PC 용 레이싱 핸들 설정

중요 참고:

PC 의 경우, 레이싱 핸들 베이스에 있는 USB 슬라이딩 스위치 (5) 는 반드시 PS3™ 위치로 설정되어 있어야 합니다.

1. PC 용 드라이버와 포드 피드백 소프트웨어를 다운로드 하려면 <http://ts.thrustmaster.com> 으로 이동하십시오. Updates and Downloads (업데이트 및 다운로드) 부분에서 PC/Wheels/T300 RS (PC/핸들/T300 RS) 을 클릭하십시오.
2. 다운로드가 완료되면, 설치를 시작하고, 화면의 지시에 따라 핸들의 USB 플러그를 컴퓨터에 연결하여 설치를 완료합니다.
3. 설치가 완료되면 Finish (종료) 를 클릭하고 컴퓨터를 다시 시작합니다.
4. Start/All Programs/Thrustmaster/FFB Racing Wheel/Control Panel (시작/모든 프로그램/Thrustmaster/FFB 레이싱 핸들/제어판) 을 선택해서 게임 컨트롤러 창을 여십시오.

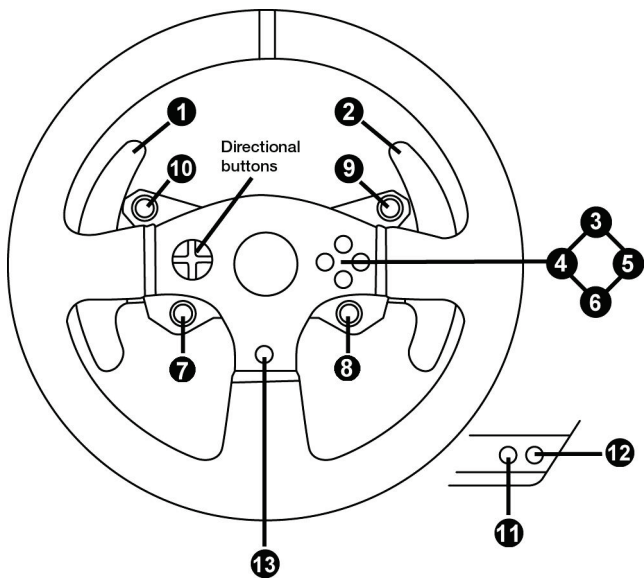
게임 컨트롤러 창에는 상태 OK (확인) 과 함께 레이싱 핸들의 이름인 T300 RS Racing Wheel 이 표시됩니다.

5. T300 RS 제어판에서 핸들을 구성하려면 속성을 클릭합니다.
 - 입력 테스트 탭: 동작 버튼, 방향 버튼, 핸들 및 페달 축 테스트 및 보기를 할 수 있으며, PC 게임에서 핸들의 회전 각도를 조정할 수 있습니다.
 - 포스 테스트 탭: 12 가지 포스 피드백 효과를 테스트할 수 있습니다.
 - 개인 설정 탭: PC 게임에서의 포스 피드백의 파워를 조정할 수 있습니다.

이제 레이싱 준비가 되었습니다!

일반 참고:

- PC 에서, OK (확인) 을 눌러 게임을 시작하기 전에 게임 컨트롤러 창을 닫으십시오.
- PC 에서, 게임 컨트롤러 창에서 수행한 조정 작업은 컴퓨터에만 저장됩니다 (따라서 PlayStation®3 또는 PlayStation®4 에는 아무런 영향도 미치지 않습니다) .
- 핸들의 펌웨어 버전은 T300 RS 제어판 탭의 오른쪽 상단 모서리에 표시됩니다.



레이싱 핸들 및 페달 세트 자동 보정

레이싱 핸들을 전원 콘센트에 연결하고 레이싱 핸들의 USB 커넥터를 콘솔에 연결하면 핸들은 자동으로 자가보정됩니다.

이 과정에서 레이싱 핸들은 왼쪽에서 오른쪽으로 신속하게 회전하여 90도 각도를 커버한 후 중앙에서 멈춥니다.



경고:

자가보정 하는 동안 절대 레이싱 핸들을 건드리지 마십시오!
(이 경우 부정확한 보정 및/또는 부상이 발생할 수 있습니다.)

페달 세트 자동 보정

페달 세트가 콘솔에 연결되어 있는 경우 또는 게임 중인 경우에는 페달 세트를 절대로 레이싱 핸들 베이스에 연결하지 (또는 페달 세트를 베이스에서 분리하지) 마십시오 (이로 인해 보정이 잘못될 수 있습니다).

레이싱 핸들을 콘솔에 연결하기 전에 반드시 페달 세트를 연결하십시오.

레이싱 핸들의 보정이 완료되고 게임이 시작된 후, 페달을 몇 번 누르면 자동으로 페달이 보정됩니다.



경고:

레이싱 핸들이 자가보정 중이거나 게임을 로딩하는 중에는 절대로 페달을 누르지 마십시오!
(이로 인해 보정이 잘못될 수 있습니다.)

레이싱 핸들 및/또는 페달 세트가 올바르게 작동하지 않거나 보정이 잘못된 것으로 생각되는 경우:

콘솔의 전원을 완전히 끄고 레이싱 핸들의 연결을 해제합니다. 그 다음에 모든 케이블 (전원 공급 케이블 및 페달 세트 포함) 을 다시 연결한 후 콘솔과 게임을 다시 시작합니다.

내부 온도 센서

핸들의 냉각 시스템은 열 흡수부와 팬으로 구성되어 있습니다.

- 온도 조정 장치가 핸들의 내부 온도를 감시합니다.
- 게임에서 핸들을 사용하는 경우:
 - 핸들이 특정 온도에 도달하면 (게임 시작 몇 분 후, 사용된 포스 피드백 효과의 강도에 따라 달라짐) 냉각 팬이 작동을 시작합니다.
 - 핸들이 매우 높은 온도에 도달하는 즉시 (모터 보호를 위해) 포스 피드백 효과의 파워가 자동으로 감소합니다. 이들 효과의 파워는 온도가 약간 내려가는 즉시 자동으로 증가합니다.
- 게임을 마칠 때: 모터의 열 관성으로 인해, 온도가 냉각 팬 시동 당시 수준으로 내려갈 때까지 냉각 팬이 계속 작동합니다. 핸들은 냉각이 용이하게 하고 모터를 보호하기 위해 이러한 방식으로 설계되었습니다 (게임에서 핸들을 사용하는 동안 도달한 온도에 따라 이 작업은 5 ~ 45 분 정도가 소요됩니다).

MODE 버튼 및 표시등 (6)

페달 세트 MODE (모드) 버튼

T300 RS에 포함된 페달 세트에는 2개의 페달이 있습니다.

이 페달 세트를 이용하는 경우에는 표시등이 빨간색으로 점등되어 있어야 하며, 그렇지 않은 경우 가속 페달이 올바르게 작동하지 않습니다.

T300 RS는 3개의 페달로 구성된 Thrustmaster (트러스트마스터) 페달 세트 (*별도 판매*) 와도 호환되며, 이들 페달을 이용해서 액셀 페달과 클러치 페달을 전자적으로 교대할 수 있습니다. 전자적으로 교대하려면 MODE (모드) 버튼 (6) 을 2 초 동안 누르기만 하면 됩니다. 레이스 핸들의 내부 메모리에는 페달이 교대되었는지 여부가 저장됩니다.

가속 페달 및 클러치 페달	MODE 표시등 (6) 색상
정상	적색
교대 시	녹색

MODE 버튼에 대한 다른 도움말

MODE 버튼 및 표시등에 대한 더 자세한 내용은 <http://ts.thrustmaster.com> 에서 확인할 수 있습니다. Updates and Downloads (업데이트 및 다운로드) 부분에서 PlayStation®/Wheels/T300 RS (PlayStation®/핸들/T300 RS) 을 클릭한 후 Manual/Help (사용설명서/도움말) 파일을 선택하십시오.

THRUSTMASTER 제품군과의 호환성

T300 RS 의 베이스와 호환되는 제품.

- 다음과 같은 착탈식 Thrustmaster 핸들: “Ferrari F1 Wheel Add-on* (페라리 F1 핸들 애드온)”, “Ferrari GTE Wheel Add-on* (페라리 GTE 핸들 애드온)”, “T300 RS PS Wheel (T300 RS PS 핸들)”, “T500 RS GT Wheel* (T300 RS PS 핸들)”.
- “Base Fixed Paddle Shifters* (베이스 고정 패들 시프터)” 키트, 이 제품으로 베이스에 고정 패들 시프터를 설치할 수 있습니다.
- 다음과 같은 Thrustmaster 페달 세트: “T3PA*” (Thrustmaster 3 페달 애드온) 및 T500RS 레이스 핸들의 페달 세트.
- 다음과 같은 Thrustmaster 시프터 (변속기): “TH8A*” 및 “TH8RS*”.

* *별도 판매 (자세한 내용은 <http://www.thrustmaster.com/products/t300rs> 에서 확인하십시오).*

도움말 파일 및 자주 묻는 질문 (이 설명서에는 포함되지 않음)

웹사이트 <http://ts.thrustmaster.com> 으로 이동하십시오. Updates and Downloads (업데이트 및 다운로드) 에서 PlayStation®/Wheels/T300 RS (PlayStation®/핸들/T300 RS) 을 클릭한 후 Manual/Help (사용설명서/도움말 파일) 을 선택하십시오.

COPYRIGHT

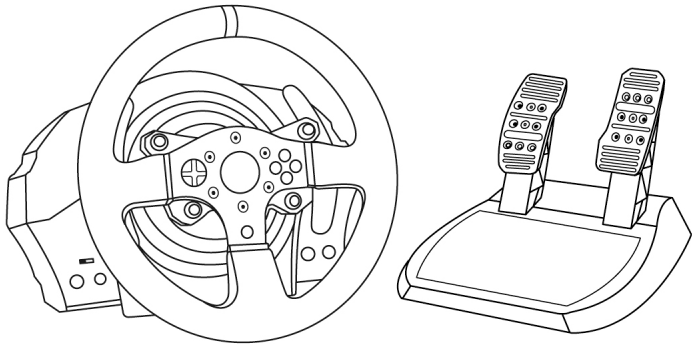
© 2014 Guillemot Corporation S.A. 모든 권리 보유. Thrustmaster®는 Guillemot Corporation S.A.의 등록상표입니다. “PS”, “PlayStation”, “PS3”, “△○×□”은 Sony Computer Entertainment, Inc 의 등록상표입니다. “PS4”는 Sony Computer Entertainment, Inc 의 상표입니다. 다른 모든 상표는 해당 소유자의 자산입니다. 도면은 법적 구속력이 없습니다. 설명서의 내용, 설계 및 사양은 예고 없이 변경될 수 있으며, 나라마다 서로 다를 수 있습니다. 제조국: 중국
TouchSense®Technology 는 Immersion Corporation 의 인가를 받았습니다. 웹사이트 www.immersion.com/patent-marking.html에서 확인할 수 있는 한 개 이상의 미국 특허와 출원 중인 다른 특허에 의해 보호됩니다.



T300RS

FOR PLAYSTATION®3 – PLAYSTATION®4

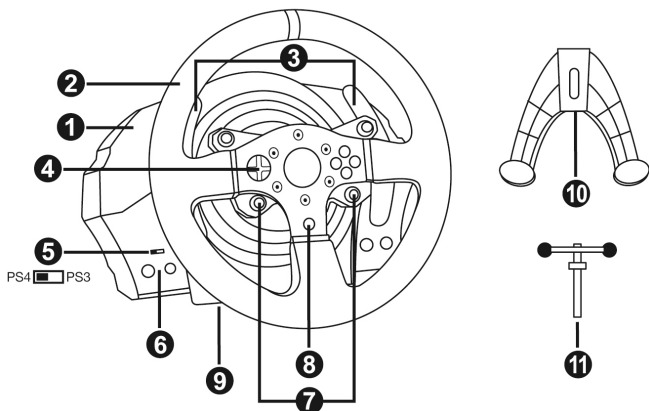
User Manual



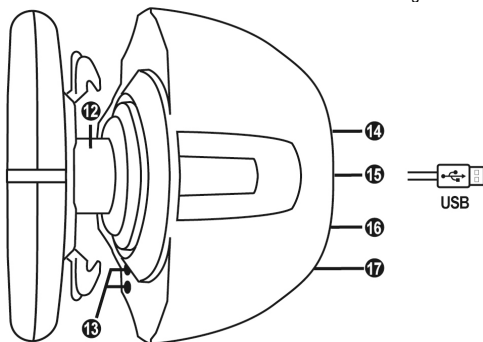
WARNING:

To ensure that your T300 RS racing wheel functions correctly with games for PlayStation®3 or PlayStation®4, you may be required to install the games' automatic updates (available when your console is connected to the Internet).

TECHNICAL FEATURES



- | | |
|--|---|
| 1 T300 RS base | 7 SELECT/START buttons on PS3™ and SHARE/OPTIONS on PS4™ |
| 2 PS wheel | 8 PS button |
| 3 2 sequential paddle shifters (Up & Down) | 9 Large threaded hole (for attachment system and fastening screw) |
| 4 Directional buttons | 10 Attachment system |
| 5 PS4™ or PS3™ USB sliding switch | 11 Metal fastening screw |
| 6 MODE button + red/green indicator light | |



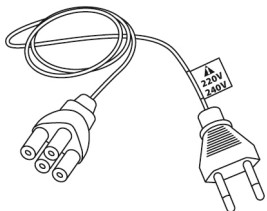
- | | |
|--|--|
| 12 Thrustmaster Quick Release | 15 Racing wheel USB cable and connector |
| 13 L3/R3 buttons | 16 Shifter (gearbox) connector
<i>(sold separately)</i> |
| 14 Power supply connector (type A or B)
<i>(varies from one country to another)</i> | 17 Pedal set connector |

PLUGGING THE RACING WHEEL INTO AN ELECTRICAL OUTLET: PLEASE READ BEFORE PROCEEDING!

Your racing wheel's power supply varies according to the country where you purchased your device.
In Korea, the power supply is:

Internal, with:

- * a power supply unit located directly inside the racing wheel's base, with a type C connector.
 - * a 220-240 V power supply cable.
- = compatible only with 220-240 V electrical power.



***Never connect the 220-240 V cable to a 100-130 V electrical outlet!!!
Never connect this cable to a power adapter!!!***

WARNINGS

Before using this product, please read this manual carefully and save it for later reference.



Warning – Electrical shock

- * Keep the product in a dry location and do not expose it to dust or sunlight.
- * Do not twist or pull on the connectors and cables.
- * Do not spill any liquid on the product or its connectors.
- * Do not short-circuit the product.
- * Never dismantle the product; do not throw it onto a fire and do not expose it to high temperatures.
- * Do not use a power supply cable other than the one provided with your racing wheel.
- * Do not use the power supply cable if the cable or its connectors are damaged, split or broken.
- * Make sure that the power supply cable is properly plugged into an electrical outlet, and properly connected to the connector at the rear of the racing wheel's base.
- * Do not open up the racing wheel: there are no user-serviceable parts inside. Any repairs must be carried out by the manufacturer, its authorized representative or a qualified technician.
- * Only use attachment systems/accessories specified by the manufacturer.
- * If the racing wheel is operating abnormally (if it is emitting any abnormal sounds, heat or odors), stop using it immediately, unplug the power supply cable from the electrical outlet and disconnect the other cables.
- * If you will not be using the racing wheel for an extended period of time, unplug its power supply cable from the electrical outlet.



Air vents

Make sure not to block any of the air vents on the racing wheel's base. For optimal ventilation, make sure to do the following:

- * Position the wheel's base at least 10 cm away from any wall surfaces.
- * Do not place the base in any tight spaces.
- * Do not cover the base.
- * Do not let any dust build up on the air vents.



For safety reasons, never use the pedal set with bare feet or while wearing only socks on your feet.

THRUSTMASTER® DISCLAIMS ALL RESPONSIBILITY IN THE EVENT OF INJURY RESULTING FROM USE OF THE PEDAL SET WITHOUT SHOES.



Warning – Injuries due to Force Feedback and repeated movements

Playing with a Force Feedback racing wheel may cause muscle or joint pain. To avoid any problems:

- * Avoid lengthy gaming periods.
- * Take 10 to 15 minute breaks after each hour of play.
- * If you feel any fatigue or pain in your hands, wrists, arms, feet or legs, stop playing and rest for a few hours before you start playing again.



Warning – Injuries due to Force Feedback and repeated movements (continued)

- * If the symptoms or pain indicated above persist when you start playing again, stop playing and consult your doctor.
- * Keep out of children's reach.
- * During gameplay, always leave both hands correctly positioned on the wheel without letting it go completely.
- * During gameplay, never place your hands or your fingers under the pedals or anywhere near the pedal set.
- * During calibration and gameplay, never place your hand or your arm through the openings in the racing wheel.
- * Make sure that the racing wheel's base is properly secured, as per this manual's instructions.



Product to be handled only by users
16 years of age or older

HEAVY PRODUCT



Be careful not to drop the product on
yourself or on anyone else!

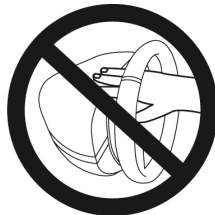
ALWAYS



NEVER



NEVER





Warning – Pedal set pinch hazard when playing

- * Keep the pedal set out of children's reach.
- * During gameplay, never place your fingers on or anywhere near the sides of the pedals.
- * During gameplay, never place your fingers on or anywhere near the pedals' rear base.
- * During gameplay, never place your fingers on or anywhere near the pedals' front base.

NEVER



NEVER



NEVER



Warning – Pedal set pinch hazard when not playing

- * Store the pedal set in a safe place, and keep it out of children's reach.

UPDATING YOUR RACING WHEEL'S FIRMWARE

The firmware included in your racing wheel's base can be updated to a more recent version featuring product enhancements.

To display the firmware version that your racing wheel is currently using and update it if required: on PC, visit <http://ts.thrustmaster.com>. In the **Updates and Downloads** section, click **PlayStation® / Wheels / T300 RS**, then select **Driver/Firmware** and follow the instructions describing the download and installation procedure.

INSTALLING THE RACING WHEEL ON ITS BASE

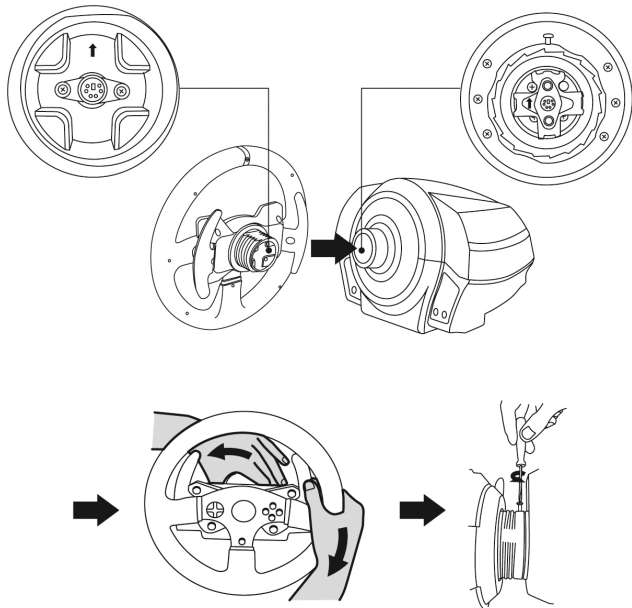
Align the connector positions using the arrows:

Base (1) connector: Arrow pointing upwards

Racing wheel (2) connector: Arrow pointing upwards

Once the connectors are correctly positioned, simply rotate the Thrustmaster Quick Release (12) device's ring counterclockwise, while holding the racing wheel (2) in position.

Then, tighten the ring as much as you can: to do so, hold the ring in position and rotate the racing wheel clockwise.



Once you have installed the racing wheel, rotate it 180° (when facing the wheel, the PlayStation® logo should be upside down) to access the small attachment screw located on the ring of the Thrustmaster Quick Release (12) device. Use a large Phillips screwdriver to tighten the small attachment screw (do not use excessive force), turning it clockwise.



**Do not use excessive force when tightening the small attachment screw
(using a Phillips screwdriver)!**

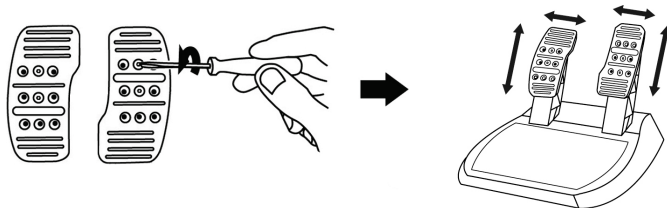
Stop turning the screw as soon as you feel some resistance.

ADJUSTING THE PEDALS' HEIGHT AND SPACING

Using a Phillips screwdriver (not included), remove the 2 attachment screws holding the pedal heads to the pedal arms.

Next, adjust the pedal heads' height and spacing to suit your preferred driving style:

- 6 different positions are available for the gas pedal.
- 6 different positions are available for the brake pedal.

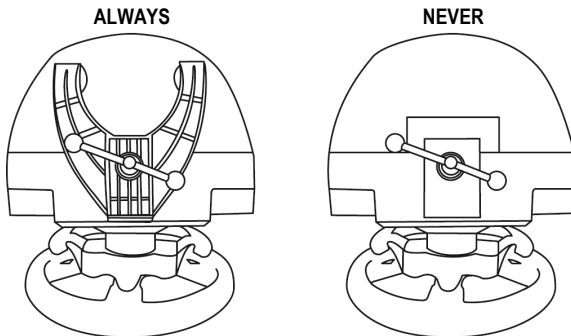


Once you are happy with the height and spacing, replace and re-tighten the 2 attachment screws holding the pedal heads to the pedal arms.

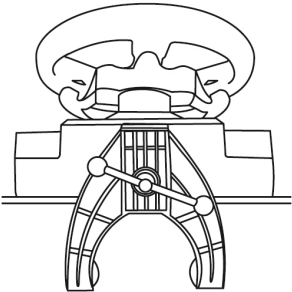
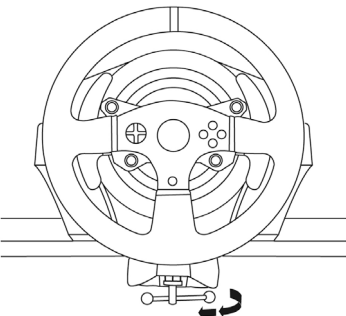
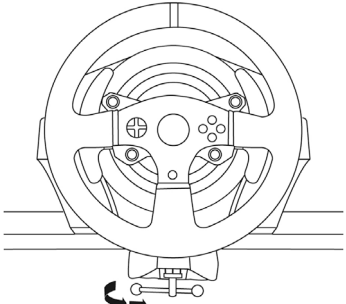
ATTACHING THE RACING WHEEL

Attaching the racing wheel to a table or a desktop

1. Place the racing wheel on a table or any other horizontal, flat and stable surface.
2. Insert the fastening screw (11) in the attachment system (10), then tighten the device by turning the screw counterclockwise, so that it feeds into the large threaded hole (9) located beneath the racing wheel, until the wheel is perfectly stable.



WARNING: Never tighten the screw alone, without the attachment system in place!
(This could damage the racing wheel.)

ATTACHMENT / REMOVAL	DIRECTION
<p><u>To tighten:</u></p> <p><i>Turn the screw counterclockwise</i></p>	 
<p><u>To release:</u></p> <p><i>Turn the screw clockwise</i></p>	

Attaching the racing wheel's base to a cockpit

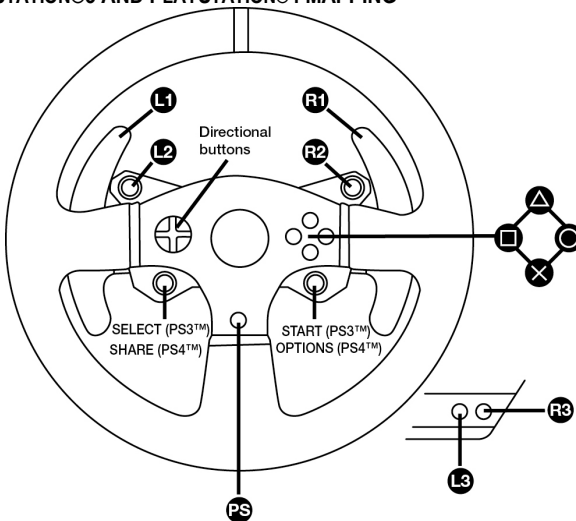
1. Place the racing wheel's base on the cockpit shelf.
2. Drive two M6 screws (not included) through the cockpit shelf, then feed them into the two small screw threads located on the underside of the racing wheel.
Important: The length of the two M6 screws must not exceed the thickness of the shelf + 12 mm; longer screws could cause damage to internal components located in the racing wheel's base.
3. If required, tighten the standard attachment system by inserting the fastening screw in the large threaded hole.

Attaching the pedal set to a cockpit

1. Attach the pedal set using the small screw threads located on its underside.
2. Drive two M6 screws (not included) through the cockpit shelf, then feed them into the two small screw threads located on the underside of the pedal set.
Important: The length of the two M6 screws must not exceed the thickness of the shelf + 10 mm; longer screws could cause damage to internal components located in the pedal set.

Layout diagrams for cockpits (for positioning the racing wheel's base and/or the pedal set) are available at <http://ts.thrustmaster.com>: in the **Updates and Downloads** section, click **PlayStation® / Wheels / T300 RS**, then select **Manual/Help file**.

PLAYSTATION®3 AND PLAYSTATION®4 MAPPING



SETTING UP THE RACING WHEEL FOR PLAYSTATION®3 OR PLAYSTATION®4

1. Connect the pedal set to the connector (17) located at the back of the racing wheel's base.
2. Connect the power supply cable to the connector (14) located at the back of the racing wheel's base.
3. Plug the power supply cable into an electrical outlet with the same voltage specifications.



For more information about this, please refer to the PLUGGING THE RACING WHEEL INTO AN ELECTRICAL OUTLET section, on page 3 in this manual.

4. Set the USB sliding switch (5) on the racing wheel's base to either the PS3™ or PS4™ position, depending on the console or the game you are using.
5. Connect the racing wheel's USB connector (15) to one of the console's USB ports.
6. Once your console is powered on, your racing wheel will calibrate itself automatically.
7. On PlayStation®4 (when the USB sliding switch is set to the PS4™ position): press the racing wheel's PS button (8) and sign in to your Sony Entertainment Network account, in order to be able to use the wheel.

You are now ready to play!

Important notes:

- The USB sliding switch (5) on the racing wheel's base must always be set to the proper position (PS3™ or PS4™) before connecting the wheel's USB cable to the console. To change the sliding switch's position, disconnect the USB cable from the console and then change the position of the switch before reconnecting the USB cable to the console.
- On PlayStation®3, the USB sliding switch (5) must always be set to the PS3™ position:
 - * The wheel is recognized in most games as a T500RS wheel.
 - * The wheel is functional in compatible games and in console menus.
 - * The "PS" function is functional on the wheel.
- On PlayStation®4, with the USB sliding switch (5) in the PS3™ position:
 - * The wheel is recognized in most games as a T500RS wheel.
 - * The wheel is functional in compatible games, but not in console menus.
 - * The "SHARE" and "PS" functions are not functional on the wheel.
- On PlayStation®4, with the USB sliding switch (5) in the PS4™ position:
 - * Don't forget to press the racing wheel's PS button (8) in order to be able to use the wheel.
 - * The wheel is recognized in most games as a T300 RS wheel.
 - * The wheel is functional in compatible games and in console menus.
 - * The "SHARE" and "PS" functions are functional on the wheel.
- The list of PlayStation®3 and PlayStation®4 games compatible with the T300 RS (along with the required position for the USB sliding switch (5) according to the game being played) is available at:

<http://ts.thrustmaster.com>

(in the Updates and Downloads section, click PlayStation® / Wheels / T300 RS).

This list is updated regularly.

SETTING UP THE RACING WHEEL FOR PC

Important note:

On PC, the USB sliding switch (5) on the racing wheel's base must always be set to the PS3™ position.

1. Go to <http://ts.thrustmaster.com> to download the drivers and the Force Feedback software for PC. In the Updates and Downloads section, click PC / Wheels / T300 RS, then select Drivers.
2. Once the download is complete, launch the installation, and follow the on-screen instructions to connect the wheel's USB plug to your computer and complete the installation.
3. Once the installation is complete, click Finish and restart your computer.
4. Select Start / All Programs / Thrustmaster / FFB Racing Wheel / Control Panel to open the Game Controllers window.

The Game Controllers window displays the racing wheel's name T300 RS Racing Wheel with the status OK.

5. Click Properties to configure your wheel in the T300 RS control panel:

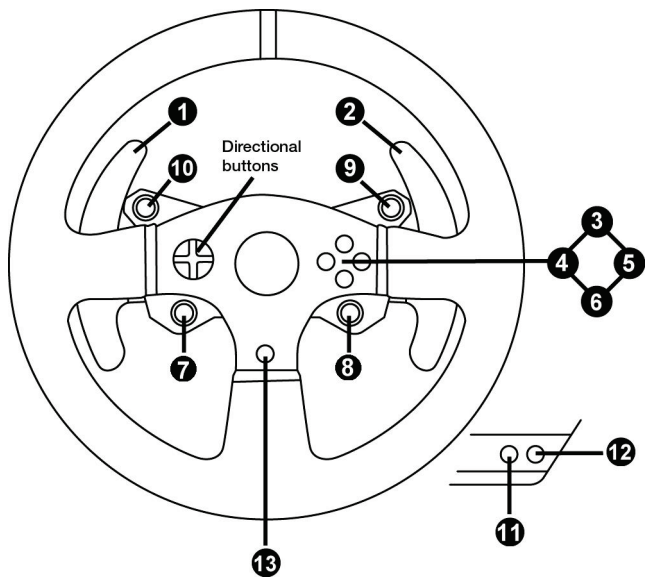
- Test Input tab: allows to test and view the action buttons, directional buttons, wheel and pedals axes, and to adjust the wheel's rotation angle in your PC games.
- Test Forces tab: allows to test 12 force feedback effects.
- Gain Settings tab: allows to adjust the power of the force feedback effects in your PC games.

You are now ready to play!

General notes:

- On PC, click OK to close the Game Controllers window before launching the game.
- On PC, the adjustments made in the Game Controllers window will only be saved on your computer (hence they will have no effect on PlayStation®3 or PlayStation®4).
- Your wheel's firmware version is displayed in the upper right-hand corner of the T300 RS control panel tabs.

PC MAPPING



AUTOMATIC RACING WHEEL AND PEDAL SET CALIBRATION

The wheel automatically self-calibrates when you plug the racing wheel into an electrical outlet and connect the racing wheel's USB connector to the console.

During this phase, the racing wheel will rotate quickly towards the left and the right, covering a 900 degree angle, before stopping at the centre.



WARNING:

Never touch the racing wheel during the self-calibration phase!
(This could result in improper calibration and/or personal injuries.)

AUTOMATIC CALIBRATION OF THE PEDAL SET

Never connect the pedal set to the racing wheel's base (or disconnect it from the base) when it is connected to the console or during gameplay (this could result in improper calibration).

Always connect the pedal set before connecting the racing wheel to the console.

Once the racing wheel's calibration is complete and the game has been started, the pedals are automatically calibrated after a few presses.



WARNING:

Never press the pedals during the racing wheel's self-calibration phase or while a game is loading!
(This could result in improper calibration.)

If your racing wheel and/or pedal set do not function correctly, or if they seem to be improperly calibrated:

Power off your console and completely disconnect the racing wheel. Then reconnect all cables (including the power supply cable and the pedal set), and restart your console and your game.

INTERNAL TEMPERATURE SENSOR

The wheel's cooling system is composed of a heat sink and a fan.

- A thermostat monitors the wheel's internal temperature.
- When you are using the wheel in a game:
 - The cooling fan starts up when the wheel has reached a certain temperature (after a few minutes of gameplay, depending on the strength of the Force Feedback effects used).
 - The power of the Force Feedback effects automatically decreases as soon as the wheel reaches a much higher temperature level (to protect the motor). The power of these effects automatically increases as soon as the temperature slightly decreases.
- When you're done playing: due to the motor's thermal inertia, the cooling fan continues to operate until the temperature drops below the fan's startup level. Your wheel has been designed in this way in order to facilitate cooling, and to protect the motor (this may take from 5 to 45 minutes, depending on the temperature reached while using the wheel in a game).

MODE BUTTON AND INDICATOR LIGHT (6)

MODE button for the pedal set

The pedal set included with the T300 RS features 2 pedals.

When using this pedal set, make sure that the indicator light remains red, or else the gas pedal will not function properly.

The T300 RS is also compatible with Thrustmaster pedal sets featuring 3 pedals (*sold separately*); these allow you to electronically swap the accelerator and clutch pedals.

To do so, simply press the MODE button (6) for 2 seconds.

The racing wheel's internal memory stores whether the pedals have been swapped around or not.

GAS AND CLUTCH PEDALS	Color of the MODE indicator light (6)
NORMAL	RED
SWAPPED AROUND	GREEN

Other hints regarding the MODE button

To learn more about the MODE button and indicator light, please visit <http://ts.thrustmaster.com>. In the **Updates and Downloads** section, click **PlayStation® / Wheels / T300 RS**, then select **Manual/Help file**.

COMPATIBILITY WITH THE THRUSTMASTER PRODUCT ECOSYSTEM

The base of the T300 RS is compatible with:

- The following detachable Thrustmaster wheels: "Ferrari F1 Wheel Add-on*", "Ferrari GTE Wheel Add-on*", "T300 RS PS Wheel", "T500 RS GT Wheel".
- The "Base Fixed Paddle Shifters*" kit, which allows you to install fixed paddle shifters on the base.
- The following Thrustmaster pedal sets: "T3PA*" (Thrustmaster 3 Pedals Add-on) and the pedal set of the T500RS racing wheel.
- The following Thrustmaster shifters (gearboxes): "TH8A*" and "TH8RS*".

* *Sold separately (for more information, please visit <http://www.thrustmaster.com/products/t300rs>).*

HELP FILES AND FAQs (NOT INCLUDED IN THIS MANUAL)

Please visit <http://ts.thrustmaster.com>, and in the **Updates and Downloads** section, click **PlayStation® / Wheels / T300 RS**, then select **Manual/Help file**.

COPYRIGHT

© 2014 Guillemot Corporation S.A. All rights reserved. Thrustmaster® is a registered trademark of Guillemot Corporation S.A. "PS", "PlayStation", "PS3" and "△OX□" are registered trademarks of Sony Computer Entertainment, Inc. "PS4" is a trademark of the same company. All other trademarks are the property of their respective owners. Illustrations not binding. Contents, designs and specifications are subject to change without notice and may vary from one country to another. Made in China.

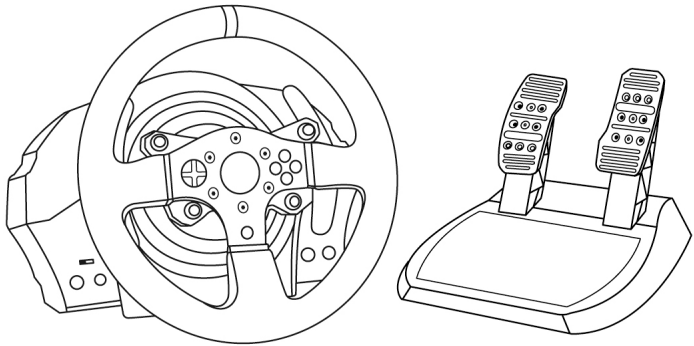
TouchSense® technology licensed from Immersion Corporation. Protected by one or more of the U.S. Patents found at the following address: www.immersion.com/patent-marking.html, and other patents pending.



T300RS

PLAYSTATION®3 - PLAYSTATION®4

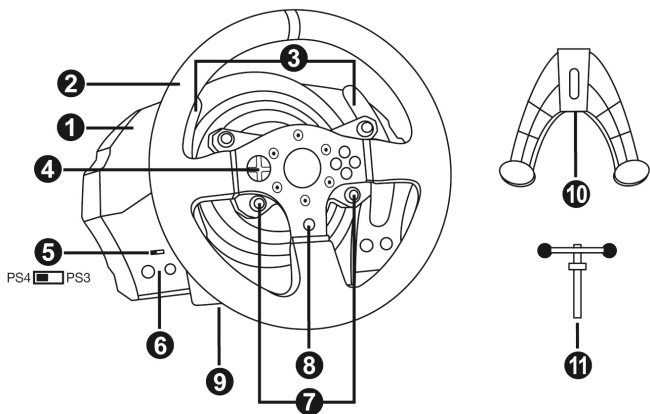
使用者說明書



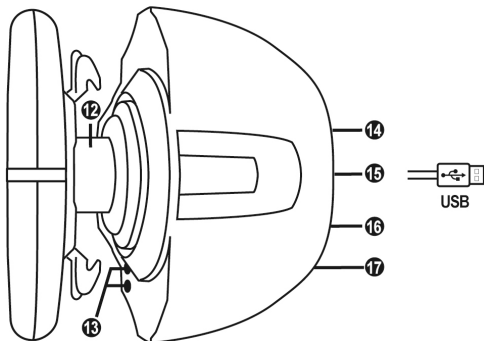
警告：

為了確保遊玩 PlayStation®3 或 PlayStation®4 的遊戲時，您的 T300 RS 賽車方向盤機能正常運作，請安裝遊戲的自動更新程式（主機與網際網路連線即可下載程式）。

技術特性



- | | |
|--------------------------|---|
| 1 T300 RS 底座 | 7 PS3™的 SELECT/START 按鈕和 PS4™的 SHARE/OPTIONS 按鈕 |
| 2 PS 方向盤 | 8 PS 按鈕 |
| 3 數位排檔 (上 & 下) | 9 大螺柱孔 (供固定裝置及固定螺桿使用) |
| 4 方向按鈕 | 10 固定裝置 |
| 5 PS4™ / PS3™ USB 滑動開關 | 11 金屬固定螺桿 |
| 6 MODE (模式) 按鈕+紅/綠 狀態指示燈 | |



- | | |
|-----------------------------------|---------------------|
| 12 Thrustmaster 快速拆卸裝置 | 15 賽車方向盤 USB 連接線與接頭 |
| 13 L3/R3 按鈕 | 16 排檔 (齒輪箱) 接頭 (另售) |
| 14 電源線接頭 (type A/B)
(配合不同國家種類) | 17 腳踏板組接頭 |

將賽車方向盤的電源插頭插入電源插座：

進行前請先閱讀以下事項！

賽車方向盤之電源線會依您購買產品的國家而有所不同。

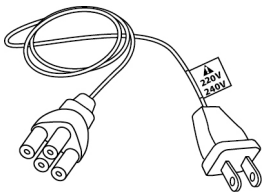
電源線可能為：

中國大陸-內部電源：

* 電源裝置直接安裝于方向盤底座內部，帶有 A 型連接器

*220-240 V 電源電纜

= 僅兼容 220-240 V 電源。



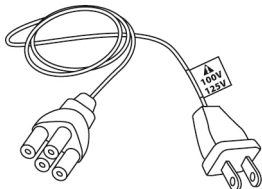
切勿將 220-240 V 電纜連接到 100-130 V 電源插座！切勿將此電纜連接到電源適配器！

臺灣-內部電源：

* 電源裝置直接安裝于方向盤底座內部，帶有 A 型連接器

*100-125 V 電源電纜

= 僅兼容 100-125 V 電源。



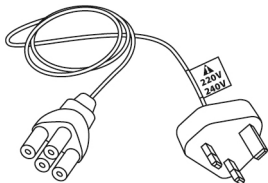
切勿將 100-125 V 電纜連接到 220-240 V 電源插座！切勿將此電纜連接到電源適配器！

香港-內部電源：

* 電源裝置直接安裝于方向盤底座內部，帶有 G 型連接器

*220-240 V 電源電纜

= 僅兼容 220-240 V 電源。



切勿將 220-240 V 電纜連接到 100-130 V 電源插座！切勿將此電纜連接到電源適配器！

重要提示：如果您不知道方向盤使用地的供電電壓，請諮詢您當地的供電商。

注意

使用本產品前，請仔細閱讀本說明書，並妥善保存以備不時之需。



注意 - 慎防觸電

- *請將此產品存放在乾燥通風處，切勿暴露在灰塵或日光下。
- *請勿捲曲或拉扯連接頭及連接線。
- *請勿讓任何液體潑濺到本產品或其連接頭上。
- *請勿讓本產品發生短路情況。
- *禁止拆卸本產品；請勿將之與火接觸或暴露在高溫環境下。
- *除了賽車方向盤隨附的電源線，請勿使用其他電源線。
- *當電源線或接頭有損傷、斷裂或破損時，請勿使用。
- *請確認電源線之插頭正確地插至壁面的插座上，並與賽車方向盤的底座正確連接。
- *請勿分解賽車方向盤，內部沒有可供用戶使用的零件。若發生任何需要維修的問題，請洽製造商、授權代理商或技術人員維修。
- *請只使用製造商指定的固定裝置／周邊配件
- *當方向盤之動作異常（如發出異常聲音、發熱或有異味時），請立即停止使用並拔除電源線及其他連接線。
- *若長時間不使用方向盤時，請將電源線的插頭從插座中拔除。



散熱孔

請務必讓方向盤底座所有散熱孔保持通暢，並遵循下述規範保持散熱良好：

- * 底座需距離任何壁面至少 10 cm 以上。
- * 請勿將底座置於狹窄處。
- * 請勿以任何物品覆蓋底座。
- * 請勿讓灰塵堵塞散熱孔。



為確保安全，請勿赤腳或僅穿襪子使用踏板組。

使用踏板組時若因未穿鞋而導致受傷，THRUSTMASTER® 概不負責。



注意 - Force Feedback（力回饋）及進行反覆性動作可能造成之損傷
遊玩力回饋方向盤可能會造成肌肉或關節疼痛。

請遵循下列規範避免造成損傷：

- * 避免長時間遊玩。
- * 每遊玩一小時請至少休息10至15分鐘。
- * 若您的雙手、手腕、手臂、雙腳或腿部感到疲勞或疼痛，請停止遊玩並休息幾小時後再繼續遊玩。
- * 若再次遊玩時仍有上述症狀或感到疼痛，請停止遊玩並接受醫生的診療。
- * 請放在兒童拿不到的地方保管。
- * 遊玩時請將雙手正確地置放於方向盤上，避免讓方向盤隨意動作。
- * 遊玩時請勿將雙手或手指伸入腳踏板內或靠近腳踏板組。
- * 在校準與遊玩時，請勿將雙手或手臂穿過方向盤。
- * 請確認方向盤底座已按照使用說明書之指示正確安裝。

重物



使用者需年滿16歲以上



請小心勿讓本產品掉落至
您或任何人身上！

常保



禁止



禁止



注意 - 遊玩時請小心勿被腳踏板夾傷

- * 請將腳踏板放在兒童拿不到的地方保管。
- * 遊玩時，請勿讓您的手指靠近腳踏板的邊緣。
- * 遊玩時，請勿讓您的手指靠近腳踏板的後方。
- * 遊玩時，請勿讓您的手指靠近腳踏板的上方。

禁止



禁止



禁止



注意 - 非遊玩時亦請小心勿被腳踏板夾傷

- * 請將腳踏板放在兒童拿不到的安全處保管。

更新賽車方向盤的韌體程式

將賽車方向盤底座的韌體更新為最新版本可強化產品機能。

若要確認或更新所使用的賽車方向盤目前的韌體版本，請使用個人電腦前往 <http://ts.thrustmaster.com> 網站，在「Updates and Downloads」（更新與下載）項目點擊「PlayStation®/Wheels / T300 RS」，並選擇「Driver/Firmware」（驅動程式／韌體），遵循網站指示進行下載安裝程序。

將賽車方向盤安裝至底座

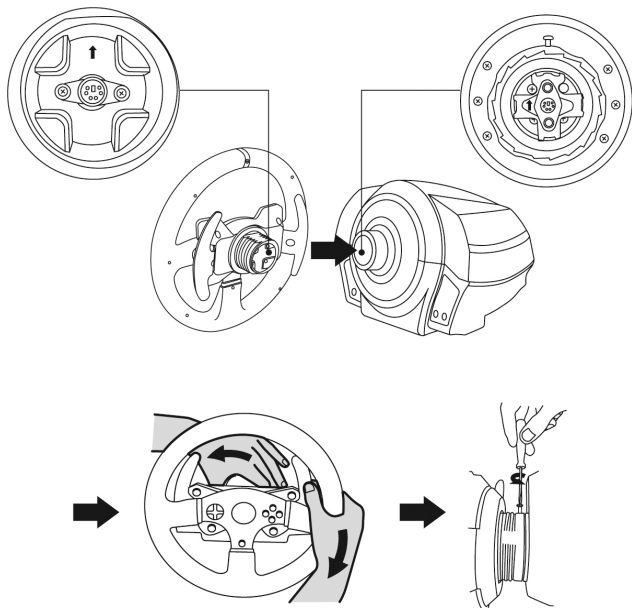
依照箭頭方向對準接頭位置：

底座 (1) 接頭：箭頭方向往上

賽車方向盤 (2) 接頭：箭頭方向往上

接頭插入正確位置後，請將方向盤 (2) 固定在正確位置上，並逆時針旋轉Thrustmaster快速拆卸裝置 (12) 的裝置環。

接著盡可能轉緊裝置環：將裝置環固定在正確位置並順時針旋轉。



完成賽車方向盤的安裝後，請旋轉180°（面朝方向盤時，PlayStation®標誌為顛倒狀態）來調整至位在Thrustmaster快速拆卸裝置 (12) 的裝置環上的小型安裝螺絲。使用大型的十字螺絲起子朝順時針旋轉來轉緊小型安裝螺絲（請勿過度用力）。



使用十字螺絲起子轉緊小型安裝螺絲時請勿過度用力！
轉動中感到有阻力時，請停止繼續轉緊螺絲。

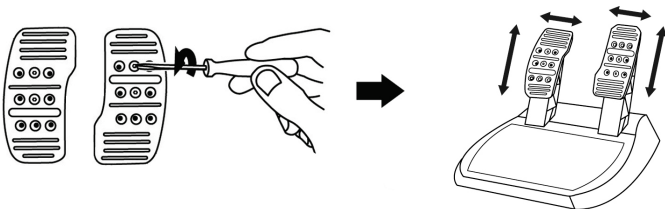
調整腳踏板的高度與位置

使用十字螺絲起子（不隨附）拔除固定踏板頭與踏板臂上的2顆安裝螺栓。

接著可依照您習慣的駕駛方式，來調整踏板頭的高度與位置。

-油門踏板有6種位置可供調整。

-煞車踏板有6種位置可供調整。

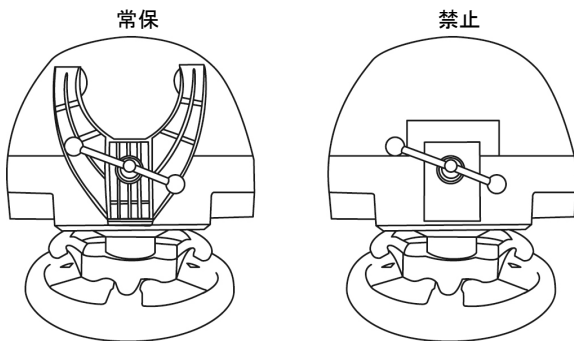


調整到您喜愛的高度及位置後，請重新裝上並鎖好用來固定踏板頭與踏板臂的2顆安裝螺栓。

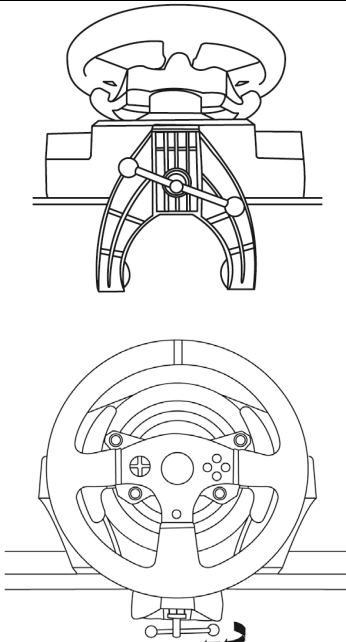
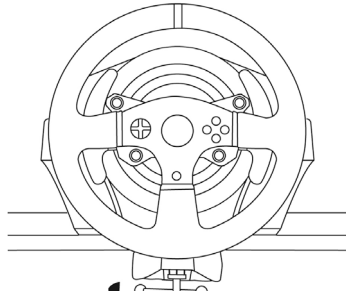
如何安裝賽車方向盤

將方向盤固定在桌面上

1. 將方向盤放置在桌子或其他保持水平、平坦且穩定的平面上。
2. 將固定螺桿(11)插入固定裝置(10)後，往逆時針方向將螺桿鎖入方向盤下方的大螺絲孔(9)，直到與方向盤完全穩固。



注意：未放置固定裝置時，請勿將螺絲單獨鎖住！
(此舉動將會損壞方向盤)

組裝／拆解	方向
<p>鎖緊： 逆時針轉入</p>	
<p>放鬆： 順時針轉出</p>	

如何將方向盤底座及腳踏板安裝至駕駛座

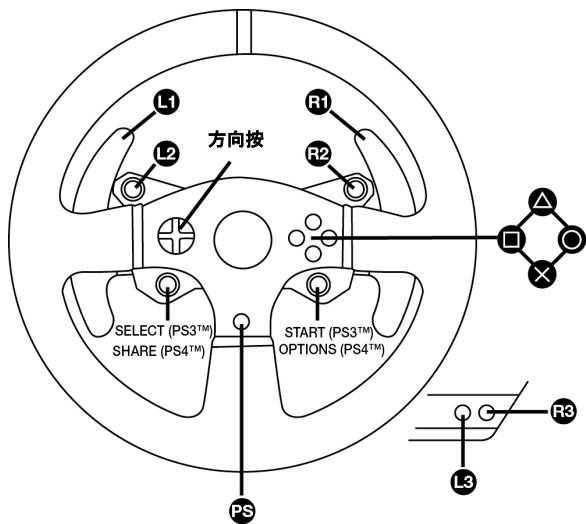
1. 將方向盤底座放置在駕駛座的框架上。
2. 將 2 顆 M6 螺栓（不隨附）轉入駕駛座的框架，並鎖入方向盤下方的 2 個小螺栓孔中。
重要：所使用的 2 顆 M6 螺栓長度不得大於 12mm+ 框架的厚度，過長的螺栓可能會造成方向盤底座內部的零件損傷。
3. 必要時可將固定螺桿插入螺栓孔來轉緊固定裝置。

如何將腳踏板組安裝至駕駛座

1. 將腳踏板組安裝在下方的螺栓孔。
2. 將 2 顆 M6 螺栓（不隨附）穿過駕駛座框架，並鎖入腳踏板組下方的 2 個小螺栓孔中。
重要：所使用之 2 顆 M6 螺栓長度不得大於 10mm+ 框架的厚度，過長的螺栓可能會造成方向盤底座內部的零件損傷。

若要參閱駕駛座的配置圖（用於設置賽車方向盤的底座或腳踏板組），請前往 <http://ts.thrustmaster.com>，進入「Updates and Downloads」（更新與下載）項目，點擊「PlayStation®/Wheels / T300 RS」，並選擇「Manual/Help file」（說明書／輔助資料）。

PLAYSTATION®3 和 PLAYSTATION®4 示意图



進行在 PLAYSTATION®3 或 PLAYSTATION®4 使用賽車方向盤的設定

1. 將腳踏板組連接到賽車方向盤底座後方的接頭(17)。
2. 將電源線連接至賽車方向盤底座後方的接頭(14)。
3. 將電源線插入電壓相同的電源插座。



關於更多詳細資訊，請參閱本說明書的第三頁：

「將賽車方向盤插頭插入電源插座」章節。

4. 配合您所使用的主機或遊玩的遊戲，將賽車方向盤底座的 USB 滑動開關(5)推向 PS3™ 或 PS4™位置。
5. 將賽車方向盤的 USB 接頭(15)連接至主機的 USB 連接埠。
6. 主機啟動後，賽車方向盤即會自動進行校準。
7. 使用 PlayStation®4 主機時（當 USB 滑動開關移至 PS4™的位置）：若要使用方向盤，請按下賽車方向盤的 PS 按鈕(8)並登入 Sony Entertainment Network 帳戶。

現在可以開始遊玩了！

重要提示：

-將方向盤的 USB 連接線連接至主機前，賽車方向盤底座上的 USB 滑動開關(5) 需先切換至適切位置 (PS3™或 PS4™)。若要變更滑動開關的位置，請先拔除主機上的 USB 連接線，切換開關位置後再連接主機。

-使用 PlayStation®3 主機時，USB 滑動開關(5)需常保在 PS3™的位置：

*大多數遊戲會將本方向盤辨識為 T500RS 方向盤。

*方向盤可在支援的遊戲與主機選單正常操作。

*方向盤可使用「PS」的機能。

-使用 PlayStation®4 主機時，若將 USB 滑動開關(5)設在 PS3™的位置：

*大多數遊戲會將本方向盤辨識為 T500RS 方向盤。

*方向盤可在支援的遊戲正常操作，但無法在主機選單進行操作。

*方向盤會無法使用「SHARE」與「PS」的機能。

-使用 PlayStation®4 主機時，若將 USB 滑動開關(5)設在 PS4™的位置：

*若要使用方向盤，請切記按下賽車方向盤的 PS 按鈕(8)。

*大多數遊戲會將本方向盤辨識為 T300RS 方向盤。

*方向盤可在支援的遊戲與主機選單正常操作。

*方向盤可使用「SHARE」與「PS」的機能。

-有關支援 T300 RS 方向盤（配合所遊玩的遊戲將 USB 滑動開關(5) 設定在適當位置後）的 PlayStation®3與PlayStation®4遊戲，請參閱：

<http://ts.thrustmaster.com>

（可在「Updates and Downloads」（更新與下載）
項目點擊 PlayStation® / Wheels / T300 RS）。

此清單會定時更新。

在 PC 上設定遊戲賽車軼盤

重要說明：

在 PC 上，遊戲賽車軼盤上的 USB 滑動開關 (5) 必須總是置於 PS3™ 位置。

1. 請登入 <http://ts.thrustmaster.com> 下載 PC 版驅動程式及 Force Feedback 軟體。在「Updates」（更新）及「Downloads」（下載）部分，按下 PC / 「Wheels」（軼盤）/ T300 RS，然後選擇 Drivers（驅動程式）。
2. 下載後開始安裝，並按照螢幕上的指示，將軼盤上的 USB 插頭連接至電腦並完成安裝。
3. 安裝完成後，按下「Finish」（完成）並重啟電腦。
4. 選擇「Start」（開始）/「All Programs」（所有程式）/Thrustmaster / 「FFB Racing Wheel」（FFB 賽車輪盤）/「Control Panel」（控制台）以開啟「Game Controllers」（遊戲控制器）視窗。

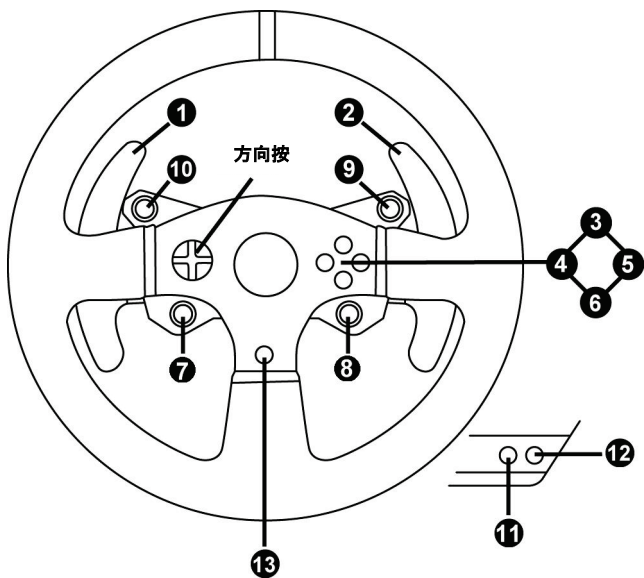
「Game Controllers」（遊戲控制器）視窗會顯示遊戲賽車軼盤的名稱「T300 RS Racing Wheel」（T300 RS 遊戲賽車軼盤）及「OK」（確定）狀態。

5. 按下「Properties」（內容）以在 T300 RS 控制台設定軼盤：
 - 「Test Input」（測試輸入）標籤：可測試和檢視動作及方向按鈕、軼盤、踏板軸，以及調整 PC 遊戲的輪盤旋轉角度。
 - 「Test Forces」（力度測試）標籤：可測試 12 種回力效果。
 - 「Gain Settings」（受力設定）標籤：可調整 PC 遊戲的各種回力效果的強度。

現在可開始遊戲了！

一般說明：

- 在 PC 上，按下「OK」（確定），在啟動遊戲前關閉「Game Controllers」（遊戲控制器）視窗。
- 在 PC 上，對「Game Controllers」（遊戲控制器）視窗進行的調整只會儲存於電腦上（因此對 PlayStation® 3 或 PlayStation® 4 不會有任何影響）。
- 軼盤的韌體版本顯示於 T300 RS 控制台標籤的右上方。



賽車方向盤與腳踏板組的自動校準

將賽車方向盤插頭插入電源插座，並將賽車方向盤的 USB 接頭連接至主機時，方向盤會自動進行校準。

校準時方向盤會快速左右旋轉 90°，然後固定於中央位置。



注意：

賽車方向盤進行自動校準時，切勿觸碰方向盤！
(否則可能會導致校準不良及／或讓身體受傷)

腳踏板組的自動校準

當腳踏板組連接至主機或正在遊玩時，切勿將腳踏板組連接至賽車方向盤底座（或從底座拔除），否則可能會造成校準不良。

在將賽車方向盤連接至主機前，請先連接腳踏板組。當賽車方向盤校準完成並已啟動，踩下幾次腳踏板，腳踏板也會自動進行校準。



注意：

在賽車方向盤自動進行校準操作、或正在載入遊戲時，請勿踩踏腳踏板！
(否則可能會導致校準不良)

若您的賽車方向盤或腳踏板組無法正常操作，或是有校準不良的情形：

關閉主機電源並完全拔除賽車方向盤的所有連接線，再重新連接所有連接線（包含電源線與腳踏板組），並重新啟動主機與遊戲。

內部溫度感測器

方向盤的冷卻系統由一台散熱器與風扇組成。

·具備恆溫器監控方向盤的內部溫度。

·當您使用方向盤遊玩遊戲：

-若方向盤溫度升高至一定程度（遊戲遊玩一段時間後，根據力回饋效應強度），冷卻風扇會啟動。

-若方向盤的溫度過高，力回饋效應強度會自動減低（為了保護馬達）。當溫度緩降之後，力回饋效應會再自動回升。

·當您遊玩結束：由於馬達的熱慣性，冷卻風扇會持續運作直到溫度低於風扇啟動的溫度為止。本方向盤被設計為易於散熱，以達到保護馬達的作用（依據使用方向盤遊玩遊戲時溫度升高的程度，冷卻可能需要 5 至 45 分鐘）。

MODE (模式) 按鈕與指示燈 (6)

腳踏板組的MODE (模式) 按鈕

T300 RS隨附的腳踏板組為2腳踏板。

當使用此腳踏板組時，請確定指示燈持續亮紅燈，否則油門踏板可能無法正常運作。

T300 RS也支援Thrustmaster的3腳踏板組（另售），您可透過數位方式更換油門與離合器踏板。

若要執行變更，請按下MODE (模式) 按鈕(6) 2秒。

不論踏板是否有更換過，都會儲存於賽車方向盤的內建記憶體中。

油門與離合器踏板	MODE (模式) 指示燈顏色 (6)
一般	紅色
更換	綠色

MODE (模式) 按鈕的其他提示

若要了解更多有關 MODE (模式) 按鈕與指示燈的詳情，請前往 <http://ts.thrustmaster.com> 網站，在「Updates and Downloads」（更新與下載）項目點擊 PlayStation® / Wheels / T300 RS 並選擇「Manual/Help file」（說明書／輔助資料）。

THRUSTMASTER 產品系列的相容性

T300 RS 的底座可支援：

- 以下可拆式 Thrustmaster 方向盤：「Ferrari F1 Wheel Add-on*」、「Ferrari GTE Wheel Add-on*」、「T300 RS PS Wheel」、「T500 RS GT Wheel*」。
- 「Base Fixed Paddle Shifters」套組，讓您可安裝底座上已固定的換檔器。
- 以下的 Thrustmaster 腳踏板組：「T3PA*」（Thrustmaster 3 Pedals Add-on）與 T500RS 賽車方向盤的踏板組。
- 以下的 Thrustmaster 換檔器（齒輪箱）：「TH8A*」與「TH8RS*」。

*另售（更多詳細資訊，請前往 <http://www.thrustmaster.com/products/t300rs>）

輔助資料與常見問題（不包含在此說明書內）

請前往 <http://ts.thrustmaster.com> 網站，在「Updates and Downloads」（更新與下載）項目點擊 PlayStation® / Wheels / T300 RS，再選擇「Manual/Help file」（說明書／輔助資料）。

COPYRIGHT

© 2014 Guillemot Corporation S.A. All rights reserved. Thrustmaster® is a registered trademark of Guillemot Corporation S.A. “PS” , “PlayStation” , “PS3” and “ΔOX□” are registered trademarks of Sony Computer Entertainment, Inc. “PS4” is a trademark of the same company. All other trademarks are the property of their respective owners. Illustrations not binding. Contents, designs and specifications are subject to change without notice and may vary from one country to another. Made in China.

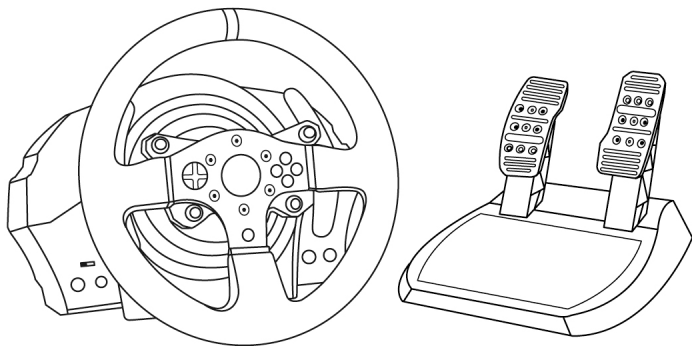
TouchSense® technology licensed from Immersion Corporation. Protected by one or more of the U.S. Patents found at the following address: www.immersion.com/patent-marking.html, and other patents pending.



T300RS

FOR PLAYSTATION®3 – PLAYSTATION®4

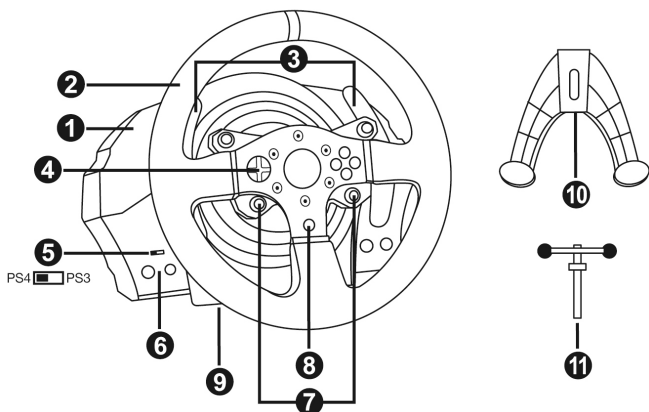
User Manual



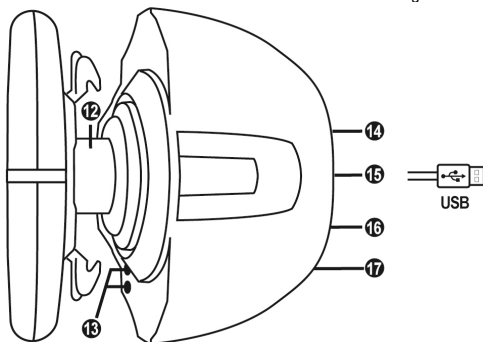
WARNING:

To ensure that your T300 RS racing wheel functions correctly with games for PlayStation®3 or PlayStation®4, you may be required to install the games' automatic updates (available when your console is connected to the Internet).

TECHNICAL FEATURES



- | | |
|---|--|
| <ul style="list-style-type: none"> 1 T300 RS base 2 PS wheel 3 2 sequential paddle shifters (Up & Down) 4 Directional buttons 5 PS4™ or PS3™ USB sliding switch 6 MODE button + red/green indicator light | <ul style="list-style-type: none"> 7 SELECT/START buttons on PS3™ and SHARE/OPTIONS on PS4™ 8 PS button 9 Large threaded hole (for attachment system and fastening screw) 10 Attachment system 11 Metal fastening screw |
|---|--|



- | | |
|--|--|
| <ul style="list-style-type: none"> 12 Thrustmaster Quick Release 13 L3/R3 buttons 14 Power supply connector (type A or B)
<i>(varies from one country to another)</i> | <ul style="list-style-type: none"> 15 Racing wheel USB cable and connector 16 Shifter (gearbox) connector
<i>(sold separately)</i> 17 Pedal set connector |
|--|--|

PLUGGING THE RACING WHEEL INTO AN ELECTRICAL OUTLET: PLEASE READ BEFORE PROCEEDING!

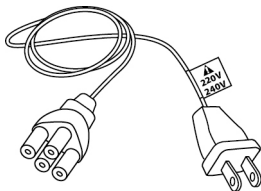
Your racing wheel's power supply varies according to the country where you purchased your device.
The power supply can be:

Mainland China: internal, with:

* A power supply unit located directly inside the racing wheel's base, with a type A connector

*A 220-240V mains power supply cable

= compatible only with a 220-240V electrical supply.



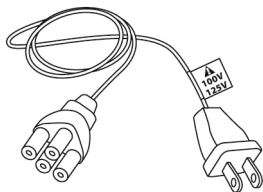
Never connect the 220-240V cable to a 100-130V power outlet! Never connect this cable to a mains power adapter!

Taiwan: internal, with:

* A power supply unit located directly inside the racing wheel's base, with a type A connector

*A 100-125V power supply cable

= compatible only with a 100-125V electrical supply.



Never connect the 100-125V cable to a 220-240V power outlet! Never connect this cable to a mains power adapter!

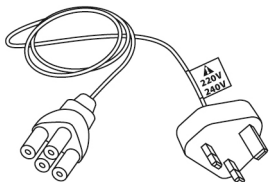
IMPORTANT: if you do not know which voltage is supplied in the area in which you are using your racing wheel, please refer to your local electricity supplier.

Hong Kong: internal, with:

* A power supply unit located directly inside the racing wheel's base, with a type G connector

* A 220-240V mains power supply cable

= compatible only with a 220-240V electrical supply.



Never connect the 220-240V cable to a 100-130V power outlet! Never connect this cable to a mains power adapter!

WARNINGS

Before using this product, please read this manual carefully and save it for later reference.



Warning – Electrical shock

- * Keep the product in a dry location and do not expose it to dust or sunlight.
- * Do not twist or pull on the connectors and cables.
- * Do not spill any liquid on the product or its connectors.
- * Do not short-circuit the product.
- * Never dismantle the product; do not throw it onto a fire and do not expose it to high temperatures.
- * Do not use a power supply cable other than the one provided with your racing wheel.
- * Do not use the power supply cable if the cable or its connectors are damaged, split or broken.
- * Make sure that the power supply cable is properly plugged into an electrical outlet, and properly connected to the connector at the rear of the racing wheel's base.
- * Do not open up the racing wheel: there are no user-serviceable parts inside. Any repairs must be carried out by the manufacturer, its authorized representative or a qualified technician.
- * Only use attachment systems/accessories specified by the manufacturer.
- * If the racing wheel is operating abnormally (if it is emitting any abnormal sounds, heat or odors), stop using it immediately, unplug the power supply cable from the electrical outlet and disconnect the other cables.
- * If you will not be using the racing wheel for an extended period of time, unplug its power supply cable from the electrical outlet.



Air vents

Make sure not to block any of the air vents on the racing wheel's base. For optimal ventilation, make sure to do the following:

- * Position the wheel's base at least 10 cm away from any wall surfaces.
- * Do not place the base in any tight spaces.
- * Do not cover the base.
- * Do not let any dust build up on the air vents.



For safety reasons, never use the pedal set with bare feet or while wearing only socks on your feet.

THRUSTMASTER® DISCLAIMS ALL RESPONSIBILITY IN THE EVENT OF INJURY RESULTING FROM USE OF THE PEDAL SET WITHOUT SHOES.



Warning – Injuries due to Force Feedback and repeated movements

Playing with a Force Feedback racing wheel may cause muscle or joint pain. To avoid any problems:

- * Avoid lengthy gaming periods.
- * Take 10 to 15 minute breaks after each hour of play.
- * If you feel any fatigue or pain in your hands, wrists, arms, feet or legs, stop playing and rest for a few hours before you start playing again.
- * If the symptoms or pain indicated above persist when you start playing again, stop playing and consult your doctor.
- * Keep out of children's reach.
- * During gameplay, always leave both hands correctly positioned on the wheel without letting it go completely.
- * During gameplay, never place your hands or your fingers under the pedals or anywhere near the pedal set.
- * During calibration and gameplay, never place your hand or your arm through the openings in the racing wheel.
- * Make sure that the racing wheel's base is properly secured, as per this manual's instructions.

HEAVY PRODUCT



Product to be handled only by users
16 years of age or older



Be careful not to drop the product on
yourself or on anyone else!

ALWAYS



NEVER



NEVER



Warning – Pedal set pinch hazard when playing

- * Keep the pedal set out of children's reach.
- * During gameplay, never place your fingers on or anywhere near the sides of the pedals.
- * During gameplay, never place your fingers on or anywhere near the pedals' rear base.
- * During gameplay, never place your fingers on or anywhere near the pedals' front base.

NEVER



NEVER



NEVER



Warning – Pedal set pinch hazard when not playing

- * Store the pedal set in a safe place, and keep it out of children's reach.

UPDATING YOUR RACING WHEEL'S FIRMWARE

The firmware included in your racing wheel's base can be updated to a more recent version featuring product enhancements.

To display the firmware version that your racing wheel is currently using and update it if required: on PC, visit <http://ts.thrustmaster.com>. In the **Updates and Downloads** section, click **PlayStation® / Wheels / T300 RS**, then select **Driver/Firmware** and follow the instructions describing the download and installation procedure.

INSTALLING THE RACING WHEEL ON ITS BASE

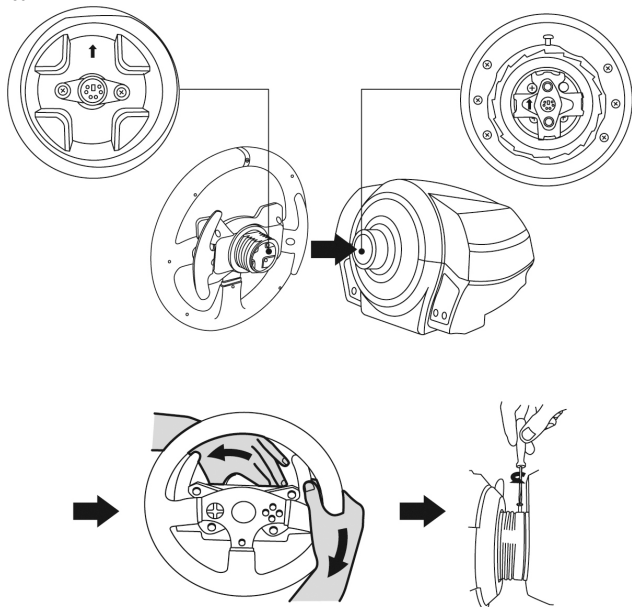
Align the connector positions using the arrows:

Base (1) connector: Arrow pointing upwards

Racing wheel (2) connector: Arrow pointing upwards

Once the connectors are correctly positioned, simply rotate the Thrustmaster Quick Release (12) device's ring counterclockwise, while holding the racing wheel (2) in position.

Then, tighten the ring as much as you can: to do so, hold the ring in position and rotate the racing wheel clockwise.



Once you have installed the racing wheel, rotate it 180° (when facing the wheel, the PlayStation® logo should be upside down) to access the small attachment screw located on the ring of the Thrustmaster Quick Release (12) device. Use a large Phillips screwdriver to tighten the small attachment screw (do not use excessive force), turning it clockwise.



Do not use excessive force when tightening the small attachment screw (using a Phillips screwdriver)!

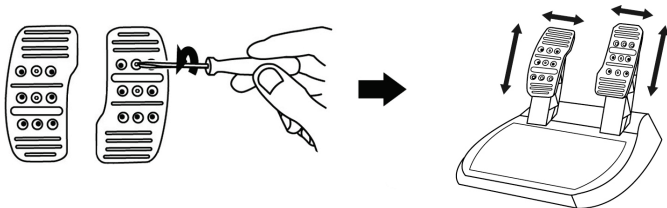
Stop turning the screw as soon as you feel some resistance.

ADJUSTING THE PEDALS' HEIGHT AND SPACING

Using a Phillips screwdriver (not included), remove the 2 attachment screws holding the pedal heads to the pedal arms.

Next, adjust the pedal heads' height and spacing to suit your preferred driving style:

- 6 different positions are available for the gas pedal.
- 6 different positions are available for the brake pedal.

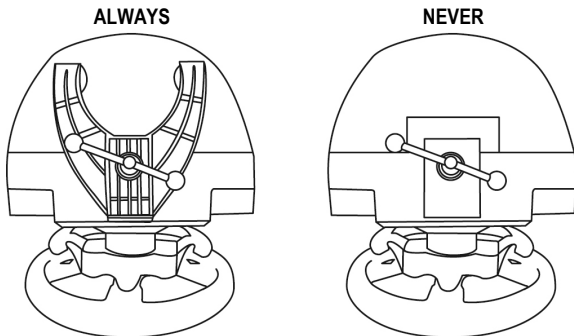


Once you are happy with the height and spacing, replace and re-tighten the 2 attachment screws holding the pedal heads to the pedal arms.

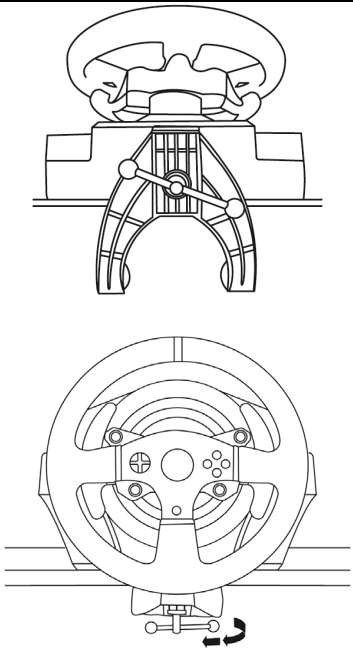
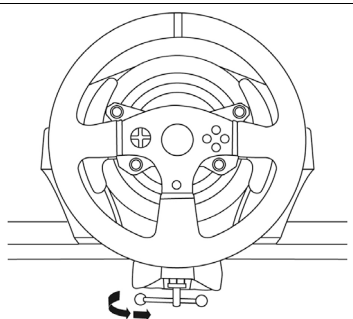
ATTACHING THE RACING WHEEL

Attaching the racing wheel to a table or a desktop

1. Place the racing wheel on a table or any other horizontal, flat and stable surface.
2. Insert the fastening screw (11) in the attachment system (10), then tighten the device by turning the screw counterclockwise, so that it feeds into the large threaded hole (9) located beneath the racing wheel, until the wheel is perfectly stable.



WARNING: Never tighten the screw alone, without the attachment system in place!
(This could damage the racing wheel.)

ATTACHMENT / REMOVAL	DIRECTION
<p><u>To tighten:</u></p> <p><i>Turn the screw counterclockwise</i></p>	
<p><u>To release:</u></p> <p><i>Turn the screw clockwise</i></p>	

Attaching the racing wheel's base to a cockpit

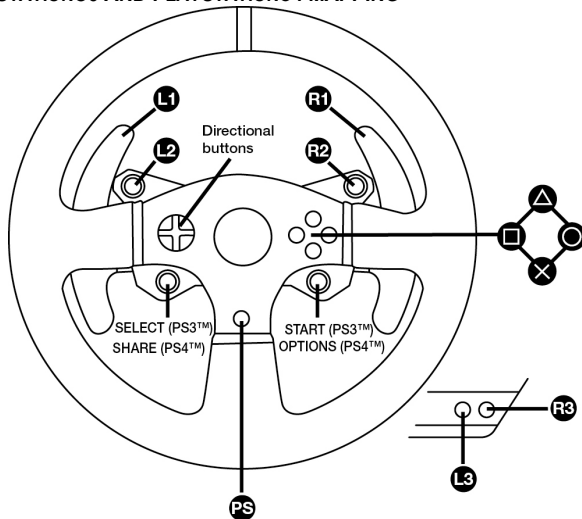
1. Place the racing wheel's base on the cockpit shelf.
2. Drive two M6 screws (not included) through the cockpit shelf, then feed them into the two small screw threads located on the underside of the racing wheel.
Important: The length of the two M6 screws must not exceed the thickness of the shelf + 12 mm; longer screws could cause damage to internal components located in the racing wheel's base.
3. If required, tighten the standard attachment system by inserting the fastening screw in the large threaded hole.

Attaching the pedal set to a cockpit

1. Attach the pedal set using the small screw threads located on its underside.
2. Drive two M6 screws (not included) through the cockpit shelf, then feed them into the two small screw threads located on the underside of the pedal set.
Important: The length of the two M6 screws must not exceed the thickness of the shelf + 10 mm; longer screws could cause damage to internal components located in the pedal set.

Layout diagrams for cockpits (for positioning the racing wheel's base and/or the pedal set) are available at <http://ts.thrustmaster.com>; in the **Updates and Downloads** section, click **PlayStation® / Wheels / T300 RS**, then select **Manual/Help file**.

PLAYSTATION®3 AND PLAYSTATION®4 MAPPING



SETTING UP THE RACING WHEEL FOR PLAYSTATION®3 OR PLAYSTATION®4

1. Connect the pedal set to the connector (17) located at the back of the racing wheel's base.
2. Connect the power supply cable to the connector (14) located at the back of the racing wheel's base.
3. Plug the power supply cable into an electrical outlet with the same voltage specifications.



For more information about this, please refer to the PLUGGING THE RACING WHEEL INTO AN ELECTRICAL OUTLET section, on page 3 in this manual.

4. Set the USB sliding switch (5) on the racing wheel's base to either the PS3™ or PS4™ position, depending on the console or the game you are using.
5. Connect the racing wheel's USB connector (15) to one of the console's USB ports.
6. Once your console is powered on, your racing wheel will calibrate itself automatically.
7. On PlayStation®4 (when the USB sliding switch is set to the PS4™ position): press the racing wheel's PS button (8) and sign in to your Sony Entertainment Network account, in order to be able to use the wheel.

You are now ready to play!

Important notes:

- The USB sliding switch (5) on the racing wheel's base must always be set to the proper position (PS3™ or PS4™) before connecting the wheel's USB cable to the console. To change the sliding switch's position, disconnect the USB cable from the console and then change the position of the switch before reconnecting the USB cable to the console.
- On PlayStation®3, the USB sliding switch (5) must always be set to the PS3™ position:
 - * The wheel is recognized in most games as a T500RS wheel.
 - * The wheel is functional in compatible games and in console menus.
 - * The "PS" function is functional on the wheel.
- On PlayStation®4, with the USB sliding switch (5) in the PS3™ position:
 - * The wheel is recognized in most games as a T500RS wheel.
 - * The wheel is functional in compatible games, but not in console menus.
 - * The "SHARE" and "PS" functions are not functional on the wheel.
- On PlayStation®4, with the USB sliding switch (5) in the PS4™ position:
 - * Don't forget to press the racing wheel's PS button (8) in order to be able to use the wheel.
 - * The wheel is recognized in most games as a T300 RS wheel.
 - * The wheel is functional in compatible games and in console menus.
 - * The "SHARE" and "PS" functions are functional on the wheel.
- The list of PlayStation®3 and PlayStation®4 games compatible with the T300 RS (along with the required position for the USB sliding switch (5) according to the game being played) is available at:

<http://ts.thrustmaster.com>

(in the Updates and Downloads section, click PlayStation® / Wheels / T300 RS).

This list is updated regularly.

SETTING UP THE RACING WHEEL FOR PC

Important note:

On PC, the USB sliding switch (5) on the racing wheel's base must always be set to the PS3™ position.

1. Go to <http://ts.thrustmaster.com> to download the drivers and the Force Feedback software for PC. In the Updates and Downloads section, click PC / Wheels / T300 RS, then select Drivers.
2. Once the download is complete, launch the installation, and follow the on-screen instructions to connect the wheel's USB plug to your computer and complete the installation.
3. Once the installation is complete, click Finish and restart your computer.
4. Select Start / All Programs / Thrustmaster / FFB Racing Wheel / Control Panel to open the Game Controllers window.

The Game Controllers window displays the racing wheel's name T300 RS Racing Wheel with the status OK.

5. Click Properties to configure your wheel in the T300 RS control panel:

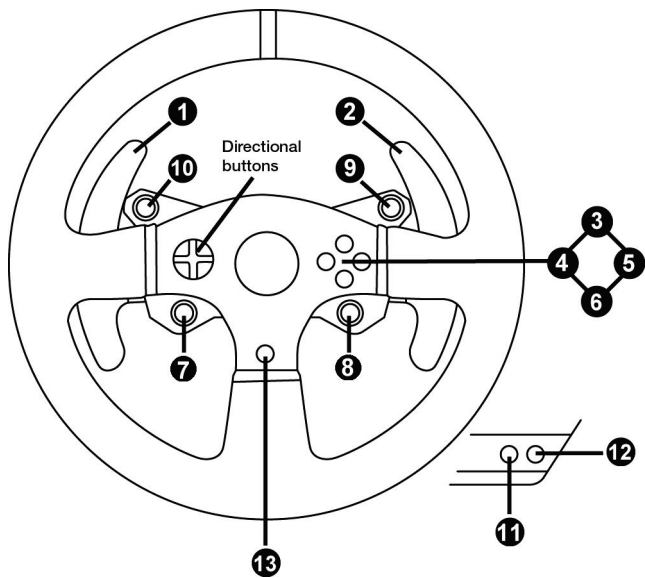
- Test Input tab: allows to test and view the action buttons, directional buttons, wheel and pedals axes, and to adjust the wheel's rotation angle in your PC games.
- Test Forces tab: allows to test 12 force feedback effects.
- Gain Settings tab: allows to adjust the power of the force feedback effects in your PC games.

You are now ready to play!

General notes:

- On PC, click OK to close the Game Controllers window before launching the game.
- On PC, the adjustments made in the Game Controllers window will only be saved on your computer (hence they will have no effect on PlayStation®3 or PlayStation®4).
- Your wheel's firmware version is displayed in the upper right-hand corner of the T300 RS control panel tabs.

PC MAPPING



AUTOMATIC RACING WHEEL AND PEDAL SET CALIBRATION

The wheel automatically self-calibrates when you plug the racing wheel into an electrical outlet and connect the racing wheel's USB connector to the console.

During this phase, the racing wheel will rotate quickly towards the left and the right, covering a 900 degree angle, before stopping at the centre.



WARNING:

Never touch the racing wheel during the self-calibration phase!
(This could result in improper calibration and/or personal injuries.)

AUTOMATIC CALIBRATION OF THE PEDAL SET

Never connect the pedal set to the racing wheel's base (or disconnect it from the base) when it is connected to the console or during gameplay (this could result in improper calibration).

Always connect the pedal set before connecting the racing wheel to the console.

Once the racing wheel's calibration is complete and the game has been started, the pedals are automatically calibrated after a few presses.



WARNING:

Never press the pedals during the racing wheel's self-calibration phase or while a game is loading!
(This could result in improper calibration.)

If your racing wheel and/or pedal set do not function correctly, or if they seem to be improperly calibrated:

Power off your console and completely disconnect the racing wheel. Then reconnect all cables (including the power supply cable and the pedal set), and restart your console and your game.

INTERNAL TEMPERATURE SENSOR

The wheel's cooling system is composed of a heat sink and a fan.

- A thermostat monitors the wheel's internal temperature.
- When you are using the wheel in a game:
 - The cooling fan starts up when the wheel has reached a certain temperature (after a few minutes of gameplay, depending on the strength of the Force Feedback effects used).
 - The power of the Force Feedback effects automatically decreases as soon as the wheel reaches a much higher temperature level (to protect the motor). The power of these effects automatically increases as soon as the temperature slightly decreases.
- When you're done playing: due to the motor's thermal inertia, the cooling fan continues to operate until the temperature drops below the fan's startup level. Your wheel has been designed in this way in order to facilitate cooling, and to protect the motor (this may take from 5 to 45 minutes, depending on the temperature reached while using the wheel in a game).

MODE BUTTON AND INDICATOR LIGHT (6)

MODE button for the pedal set

The pedal set included with the T300 RS features 2 pedals.

When using this pedal set, make sure that the indicator light remains red, or else the gas pedal will not function properly.

The T300 RS is also compatible with Thrustmaster pedal sets featuring 3 pedals (*sold separately*); these allow you to electronically swap the accelerator and clutch pedals.

To do so, simply press the MODE button (6) for 2 seconds.

The racing wheel's internal memory stores whether the pedals have been swapped around or not.

GAS AND CLUTCH PEDALS	Color of the MODE indicator light (6)
NORMAL	RED
SWAPPED AROUND	GREEN

Other hints regarding the MODE button

To learn more about the MODE button and indicator light, please visit <http://ts.thrustmaster.com>. In the **Updates and Downloads** section, click **PlayStation® / Wheels / T300 RS**, then select **Manual/Help file**.

COMPATIBILITY WITH THE THRUSTMASTER PRODUCT ECOSYSTEM

The base of the T300 RS is compatible with:

- The following detachable Thrustmaster wheels: "Ferrari F1 Wheel Add-on*", "Ferrari GTE Wheel Add-on*", "T300 RS PS Wheel", "T500 RS GT Wheel".
- The "Base Fixed Paddle Shifters*" kit, which allows you to install fixed paddle shifters on the base.
- The following Thrustmaster pedal sets: "T3PA*" (Thrustmaster 3 Pedals Add-on) and the pedal set of the T500RS racing wheel.
- The following Thrustmaster shifters (gearboxes): "TH8A*" and "TH8RS*".

* *Sold separately (for more information, please visit <http://www.thrustmaster.com/products/t300rs>).*

HELP FILES AND FAQs (NOT INCLUDED IN THIS MANUAL)

Please visit <http://ts.thrustmaster.com>, and in the **Updates and Downloads** section, click **PlayStation® / Wheels / T300 RS**, then select **Manual/Help file**.

COPYRIGHT

© 2014 Guillemot Corporation S.A. All rights reserved. Thrustmaster® is a registered trademark of Guillemot Corporation S.A. "PS", "PlayStation", "PS3" and "△○×□" are registered trademarks of Sony Computer Entertainment, Inc. "PS4" is a trademark of the same company. All other trademarks are the property of their respective owners. Illustrations not binding. Contents, designs and specifications are subject to change without notice and may vary from one country to another. Made in China.

TouchSense® technology licensed from Immersion Corporation. Protected by one or more of the U.S. Patents found at the following address: www.immersion.com/patent-marking.html, and other patents pending.

