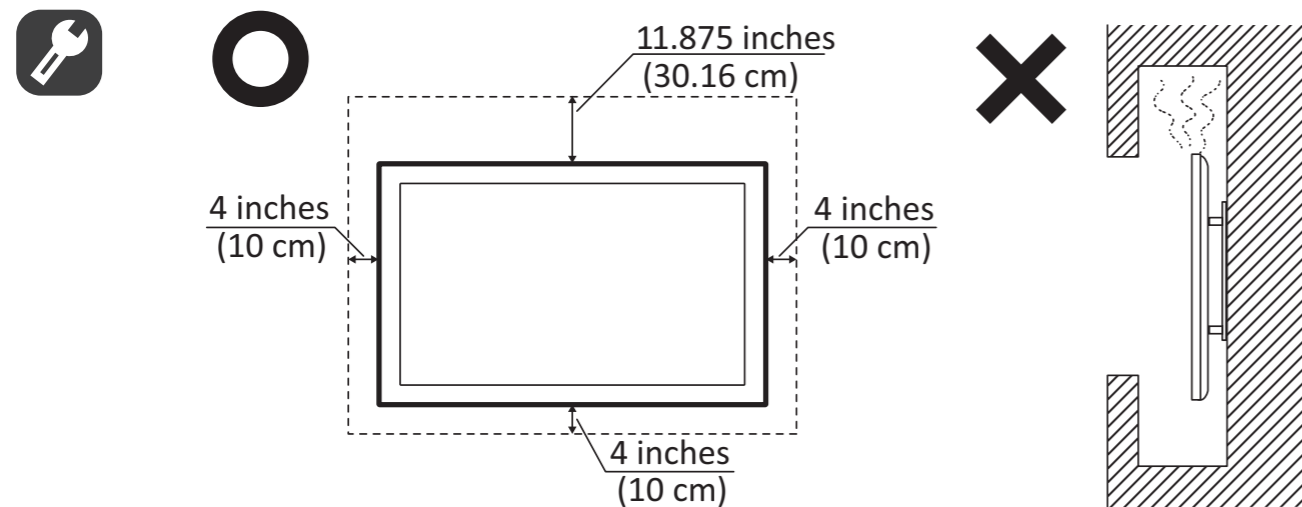
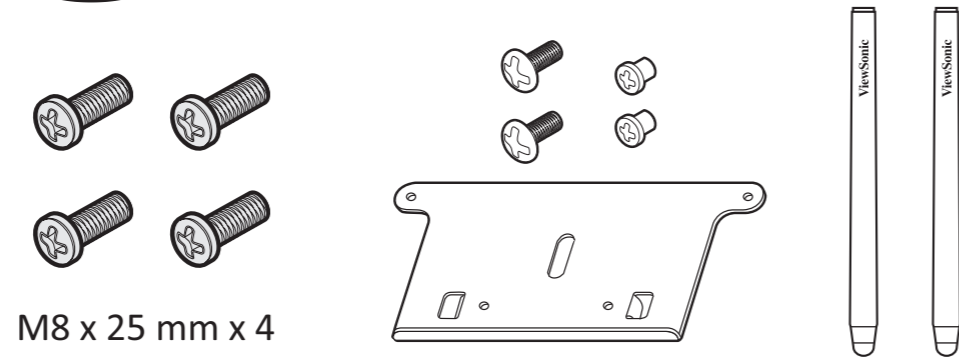
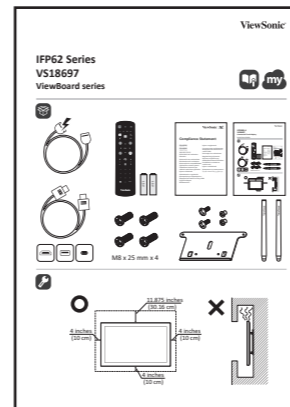
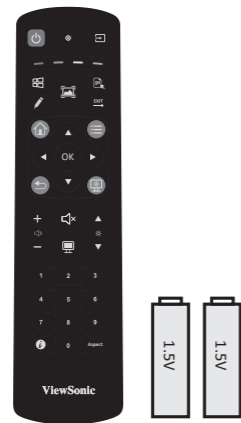
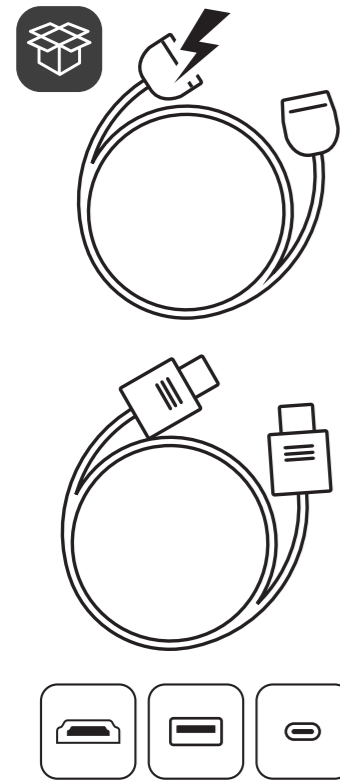


IFP62 Series

VS18622/VS18623/VS18624

ViewBoard series



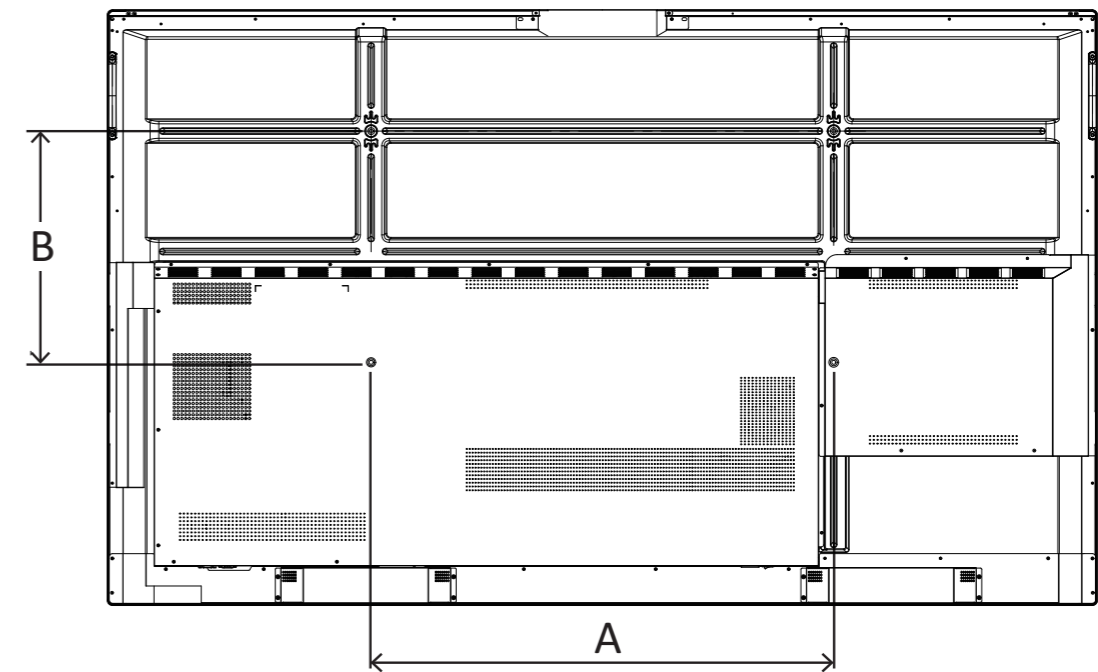
ViewSonic OPS PC module - VPC2C_25_27-O



ViewSonic OPS PC module - VPC2C_25_27-O-1B



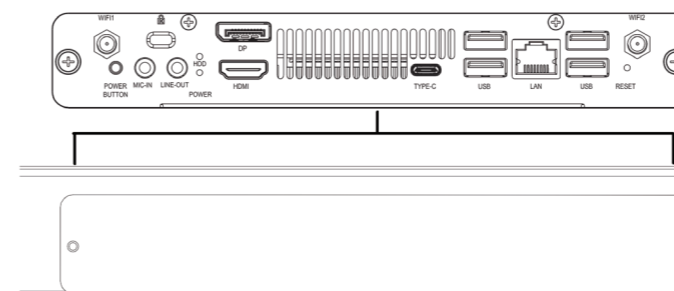
Welcome to visit ViewSonic Online Support Center for more information



IFP6562	600 x 400 mm (A x B)
IFP7562	800 x 400 mm (A x B)
IFP8662	800 x 400 mm (A x B)

Optional OPS

VPC12-WPO / VPC2C-O / VPC25-O / VPC27-O



Optional WiFi module

VB-WIFI-001

