

# **GIGABYTE™**

# **R272-P31**

Ampere® Altra® ARM Server - 2U 8-Bay

## **User Manual**

Rev. 1.0

## **Copyright**

© 2021 GIGA-BYTE TECHNOLOGY CO., LTD. All rights reserved.

The trademarks mentioned in this manual are legally registered to their respective owners.

## **Disclaimer**

Information in this manual is protected by copyright laws and is the property of GIGABYTE. Changes to the specifications and features in this manual may be made by GIGABYTE without prior notice. No part of this manual may be reproduced, copied, translated, transmitted, or published in any form or by any means without GIGABYTE's prior written permission.

## **Documentation Classifications**

In order to assist in the use of this product, GIGABYTE provides the following types of documentation:

- User Manual: detailed information & steps about the installation, configuration and use of this product (e.g. motherboard, server barebones), covering hardware and BIOS.
- User Guide: detailed information about the installation & use of an add-on hardware or software component (e.g. BMC firmware, rail-kit) compatible with this product.
- Quick Installation Guide: a short guide with visual diagrams that you can reference easily for installation purposes of this product (e.g. motherboard, server barebones).

Please see the support section of the online product page to check the current availability of these documents.

## **For More Information**

For related product specifications, the latest firmware and software, and other information please visit our website at <http://www.gigabyte.com>




For GIGABYTE distributors and resellers, additional sales & marketing materials are available from our reseller portal: <http://reseller.b2b.gigabyte.com>

For further technical assistance, please contact your GIGABYTE representative or visit <https://esupport.gigabyte.com/> to create a new support ticket

For any general sales or marketing enquiries, you may also message GIGABYTE server directly by email: [server.grp@gigabyte.com](mailto:server.grp@gigabyte.com)

## Conventions

The following conventions are used in this user's guide:

	<b>NOTE!</b> Gives bits and pieces of additional information related to the current topic.
	<b>CAUTION!</b> Gives precautionary measures to avoid possible hardware or software problems.
	<b>WARNING!</b> Alerts you to any damage that might result from doing or not doing specific actions.

## Server Warnings and Cautions

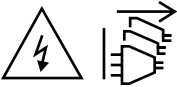
Before installing a server, be sure that you understand the following warnings and cautions.



### **WARNING!**

**To reduce the risk of electric shock or damage to the equipment:**

- Do not disable the power cord grounding plug. The grounding plug is an important safety feature.
- Plug the power cord into a grounded (earthed) electrical outlet that is easily accessible at all times.
- Unplug all the power cords from the power supplies to disconnect power to the equipment.



- Shock Hazard! Disconnect all power supply cords before servicing.
- Do not route the power cord where it can be walked on or pinched by items placed against it. Pay particular attention to the plug, electrical outlet, and the point where the cord extends from the server.



### **WARNING!**

**To reduce the risk of personal injury from hot surfaces, allow the drives and the internal system components to cool before touching them.**



### **WARNING!**

**This server is equipped with high speed fans. Keep away from hazardous moving fan blades during servicing.**



### **WARNING!**

**This equipment is not suitable for use in locations where children are likely to be present.**



### **WARNING!**

**This equipment is intended to be used in Restrict Access Location. The access can only be gained by Skilled person.**

**Only authorized by well trained professional person can access the restrict access location.**



### **CAUTION!**

- Do not operate the server for long periods with the access panel open or removed. Operating the server in this manner results in improper airflow and improper cooling that can lead to thermal damage.
- Danger of explosion if battery is incorrectly replaced.
- Replace only with the same or equivalent type recommended by the manufacturer.
- Dispose of used batteries according to the manufacturer's instructions.



## Electrostatic Discharge (ESD)



### CAUTION!

ESD CAN DAMAGE DRIVES, BOARDS, AND OTHER PARTS. WE RECOMMEND THAT YOU PERFORM ALL PROCEDURES AT AN ESD WORKSTATION. IF ONE IS NOT AVAILABLE, PROVIDE SOME ESD PROTECTION BY WEARING AN ANTI-STATIC WRIST STRAP ATTACHED TO CHASSIS GROUND -- ANY UNPAINTED METAL SURFACE -- ON YOUR SERVER WHEN HANDLING PARTS.

Always handle boards carefully. They can be extremely sensitive to ESD. Hold boards only by their edges without any component and pin touching. After removing a board from its protective wrapper or from the system, place the board component side up on a grounded, static free surface. Use a conductive foam pad if available but not the board wrapper. Do not slide board over any surface.

**System power on/off:** To remove power from system, you must remove the system from rack. Make sure the system is removed from the rack before opening the chassis, adding, or removing any non hot-plug components.

**Hazardous conditions, devices and cables:** Hazardous electrical conditions may be present on power, telephone, and communication cables. Turn off the system and disconnect the cables attached to the system before servicing it. Otherwise, personal injury or equipment damage can result.

**Electrostatic discharge (ESD) and ESD protection:** ESD can damage drives, boards, and other parts. We recommend that you perform all procedures in this chapter only at an ESD workstation. If one is not available, provide some ESD protection by wearing an antistatic wrist strap attached to chassis ground (any unpainted metal surface on the server) when handling parts.

**ESD and handling boards:** Always handle boards carefully. They can be extremely sensitive to electrostatic discharge (ESD). Hold boards only by their edges. After removing a board from its protective wrapper or from the system, place the board component side up on a grounded, static free surface. Use a conductive foam pad if available but not the board wrapper. Do not slide board over any surface.

**Installing or removing jumpers:** A jumper is a small plastic encased conductor that slips over two jumper pins. Some jumpers have a small tab on top that can be gripped with fingertips or with a pair of fine needle nosed pliers. If the jumpers do not have such a tab, take care when using needle nosed pliers to remove or install a jumper; grip the narrow sides of the jumper with the pliers, never the wide sides. Gripping the wide sides can damage the contacts inside the jumper, causing intermittent problems with the function controlled by that jumper. Take care to grip with, but not squeeze, the pliers or other tool used to remove a jumper, or the pins on the board may bend or break.

**CAUTION!**

Risk of explosion if battery is replaced incorrectly or with an incorrect type. Replace the battery only with the same or equivalent type recommended by the manufacturer. Dispose of used batteries according to the manufacturer's instructions.

# Table of Contents

Chapter 1	Hardware Installation .....	9
1-1	Installation Precautions .....	9
1-2	Product Specifications .....	10
1-3	System Block Diagram .....	13
Chapter 2	System Appearance .....	15
2-1	Front View .....	15
2-2	Rear View .....	16
2-3	Front Panel LED and Buttons .....	17
2-4	Rear System LAN LEDs .....	19
2-5	Hard Disk Drive LEDs .....	20
Chapter 3	System Hardware Installation .....	21
3-1	Removing and Installing the Chassis Cover .....	22
3-2	Removing and Installing the Fan Duct .....	23
3-3	Removing and Installing the Heat Sink .....	24
3-4	Removing and Installing the CPU .....	25
3-5	Removing and Installing Memory .....	26
3-5-1	Eight-Channel Memory Configuration .....	26
3-5-2	Removing and Installing a Memory Module .....	27
3-5-3	DIMM Population Table .....	27
3-5-4	Altra Platform DDR4 Suggest Configuration Table .....	28
3-6	Removing and Installing the PCI Expansion Card .....	29
3-7	Removing and Installing the Hard Disk Drive .....	30
3-8	Replacing the Fan Assembly .....	31
3-9	Removing and Installing the Power Supply .....	32
3-10	Installing the Mezzanine Card (Optional) .....	33
3-11	Installing and Removing an M.2 Device .....	34
3-12	Cable Routing .....	35
Chapter 4	Motherboard Components .....	37
4-1	Motherboard Components .....	37
4-2	Jumper Settings .....	39
Chapter 5	BIOS Setup .....	41
5-1	The Main Menu .....	43
5-2	Advanced Menu .....	45
5-2-1	Trusted Computing .....	46

5-2-2	ACPI Settings .....	47
5-2-3	General Watchdog.....	48
5-2-4	APEI Configuration .....	49
5-2-5	PCI Subsystem Settings.....	50
5-2-6	Info Report Configuration .....	57
5-2-7	USB Configuration.....	58
5-2-8	Network Stack .....	59
5-2-9	NVMe Configuration .....	60
5-2-10	Power Restore Configuration .....	61
5-2-11	Intel(R) I350 Gigabit Network Connection .....	62
5-2-12	MAC IPv4 Network Configuration .....	64
5-2-13	MAC IPv6 Network Configuration .....	65
5-3	Chipset Setup Menu.....	66
5-3-1	CPU Configuration.....	67
5-3-2	Memory Slot Information .....	68
5-3-3	RAS Configuration.....	71
5-3-4	PCIe Root Complex Configuration .....	72
5-4	Server Management Menu.....	73
5-4-1	System Event Log .....	74
5-4-2	BMC self test .....	75
5-4-3	View FRU Information .....	76
5-4-4	BMC Network Configuration .....	77
5-5	Security Menu .....	78
5-5-1	Secure Boot.....	79
5-6	Boot Menu.....	81
5-7	Save & Exit Menu.....	83
5-8	BIOS POST Beep code (AMI standard) .....	84
5-8-1	PEI Beep Codes .....	84
5-8-2	DXE Beep Codes .....	84

# Chapter 1 Hardware Installation

## 1-1 Installation Precautions

The motherboard/system contain numerous delicate electronic circuits and components which can become damaged as a result of electrostatic discharge (ESD). Prior to installation, carefully read the user manual and follow these procedures:

- Prior to installation, do not remove or break motherboard S/N (Serial Number) sticker or warranty sticker provided by your dealer. These stickers are required for warranty validation.
- Always remove the AC power by unplugging the power cord from the power outlet before installing or removing the motherboard or other hardware components.
- When connecting hardware components to the internal connectors on the motherboard, make sure they are connected tightly and securely.
- When handling the motherboard, avoid touching any metal leads or connectors.
- It is best to wear an electrostatic discharge (ESD) wrist strap when handling electronic components such as a motherboard, CPU or memory. If you do not have an ESD wrist strap, keep your hands dry and first touch a metal object to eliminate static electricity.
- Prior to installing the motherboard, please have it on top of an antistatic pad or within an electrostatic shielding container.
- Before unplugging the power supply cable from the motherboard, make sure the power supply has been turned off.
- Before turning on the power, make sure the power supply voltage has been set according to the local voltage standard.
- Before using the product, please verify that all cables and power connectors of your hardware components are connected.
- To prevent damage to the motherboard, do not allow screws to come in contact with the motherboard circuit or its components.
- Make sure there are no leftover screws or metal components placed on the motherboard or within the computer casing.
- Do not place the computer system on an uneven surface.
- Do not place the computer system in a high-temperature environment.
- Turning on the computer power during the installation process can lead to damage to system components as well as physical harm to the user.
- If you are uncertain about any installation steps or have a problem related to the use of the product, please consult a certified computer technician.






# 1-2 Product Specifications



**NOTE:**

We reserve the right to make any changes to the product specifications and product-related information without prior notice.

	CPU	<ul style="list-style-type: none"> <li>◆ Ampere® Altra® Processor</li> <li>◆ Single processor, 7nm technology</li> <li>◆ Up to 80-core per processor</li> </ul>
	Socket	<ul style="list-style-type: none"> <li>◆ Single socket</li> <li>◆ LGA4926</li> </ul>
	Chipset	<ul style="list-style-type: none"> <li>◆ System on Chip</li> </ul>
	Memory	<ul style="list-style-type: none"> <li>◆ 16 x DIMM slots</li> <li>◆ DDR4 memory supported only</li> <li>◆ 8-Channel memory architecture</li> <li>◆ RDIMM modules up to 256GB supported</li> <li>◆ LRDIMM modules up to 256GB supported</li> <li>◆ Up to 4TB of memory capacity supported per processor</li> <li>◆ Memory speed: Up to 3200 MHz</li> </ul>
	LAN	<ul style="list-style-type: none"> <li>◆ 2 x 1GbE LAN ports (1 x Intel® I350-AM2)</li> <li>◆ 1 x 10/100/1000 Mbps management LAN</li> </ul>
	Video	<ul style="list-style-type: none"> <li>◆ Integrated in Aspeed® AST2500</li> <li>◆ 2D Video Graphic Adapter with PCIe bus interface</li> <li>◆ 1920x1200@60Hz 32bpp</li> </ul>
	Storage	<ul style="list-style-type: none"> <li>◆ 8 x 2.5" SATA/SAS hot-swappable HDD/SSD bays from CRAO338 SAS RAID Card</li> </ul>
	RAID	<ul style="list-style-type: none"> <li>◆ RAID 0/ 1/ 1E/ 10</li> </ul>
	Expansion Slot	<ul style="list-style-type: none"> <li>◆ Total 6 x low profile PCIe Gen4 expansion slots</li> <li>◆ Slot_7: Disabled</li> <li>◆ Slot_6: 1 x PCIe x16 (Gen4 x16 bus) slot</li> <li>◆ Slot_5: 1 x PCIe x16 (Gen4 x8 bus) slot</li> <li>◆ Slot_4: 1 x PCIe x16 (Gen4 x16 bus) slot</li> <li>◆ Slot_3: 1 x PCIe x16 (Gen4 x8 bus) slot</li> <li>◆ Slot_2: 1 x PCIe x8 (Gen4 x8 bus) slot</li> <li>◆ Slot_1: 1 x PCIe x16 (Gen4 x8 bus) slot</li> <li>◆</li> </ul> <p>1 x OCP 2.0 mezzanine slot, occupied by CRAO338 SAS RAID Card</p> <p>2 x M.2 slots:</p> <ul style="list-style-type: none"> <li>◆ M-key</li> <li>◆ PCIe Gen4 x4</li> <li>◆ Supports NGFF-2242/2260/2280/22110 cards</li> </ul>

	Internal I/O	<ul style="list-style-type: none"> <li>◆ 2 x M.2 slots</li> <li>◆ 1 x USB 3.0 header</li> <li>◆ 1 x USB 2.0 header</li> <li>◆ 1 x TPM header</li> <li>◆ 1 x Front panel header</li> <li>◆ 1 x HDD back plane board header</li> <li>◆ 1 x PMBus connector</li> <li>◆ 1 x IPMB connector</li> <li>◆ 1 x Clear CMOS jumper</li> <li>◆ 1 x Buzzer</li> </ul>
	Front I/O	<ul style="list-style-type: none"> <li>◆ 2 x USB 3.0</li> <li>◆ 1 x Power button with LED</li> <li>◆ 1 x ID button with LED</li> <li>◆ 1 x Reset button</li> <li>◆ 2 x LAN activity LEDs</li> <li>◆ 1 x HDD activity LED</li> <li>◆ 1 x System status LED</li> </ul>
	Rear I/O	<ul style="list-style-type: none"> <li>◆ 3 x USB 3.0</li> <li>◆ 1 x VGA</li> <li>◆ 1 x Debug port</li> <li>◆ 2 x RJ45</li> <li>◆ 1 x MLAN</li> <li>◆ 1 x ID button with LED</li> </ul>
	Backplane I/O	<ul style="list-style-type: none"> <li>◆ Backplane P/N: 9CBP2005NR-00</li> <li>◆ Speed and bandwidth:</li> <li>◆ SAS 12Gb/s, SATA 6Gb/s</li> </ul>
	Power Supply	<ul style="list-style-type: none"> <li>◆ 2 x 800W single PSUs</li> <li>◆ 80 PLUS Platinum</li>   <li>◆ AC Input: <ul style="list-style-type: none"> <li>-100-240V~/ 10-4A, 50-60Hz</li> </ul> </li> <li>◆ DC Input: <ul style="list-style-type: none"> <li>- 40Vdc/ 4.5A</li> </ul> </li>   <li>◆ DC Output: <ul style="list-style-type: none"> <li>- 800W</li> <li>+12V/ 66A</li> <li>+12Vsb/ 2.5A</li> </ul> </li> <li>◆ System Management</li> </ul>



## System Management

- ◆ Aspeed® AST2500 management controller
- ◆ Avocent® MergePoint IPMI 2.0 web interface:
- ◆ Network settings
- ◆ Network security settings
- ◆ Hardware information
- ◆ Users control
- ◆ Services settings
- ◆ IPMI settings
- ◆ Sessions control
- ◆ LDAP settings
- ◆ Power control
- ◆ Fan profiles
- ◆ Voltages, fans and temperatures monitoring
- ◆ System event log
- ◆ Events management (platform events, trap settings, email settings)
- ◆ Serial Over LAN
- ◆ vKVM & vMedia (HTML5)



## Environment Ambient Temperature

- ◆ Operating temperature: 10°C to 35°C
- ◆ Non-operating temperature: -40°C to 60°C

## Relative Humidity

- ◆ Operating humidity: 8-80% (non-condensing)
- ◆ Non-operating humidity: 20%-95% (non-condensing)

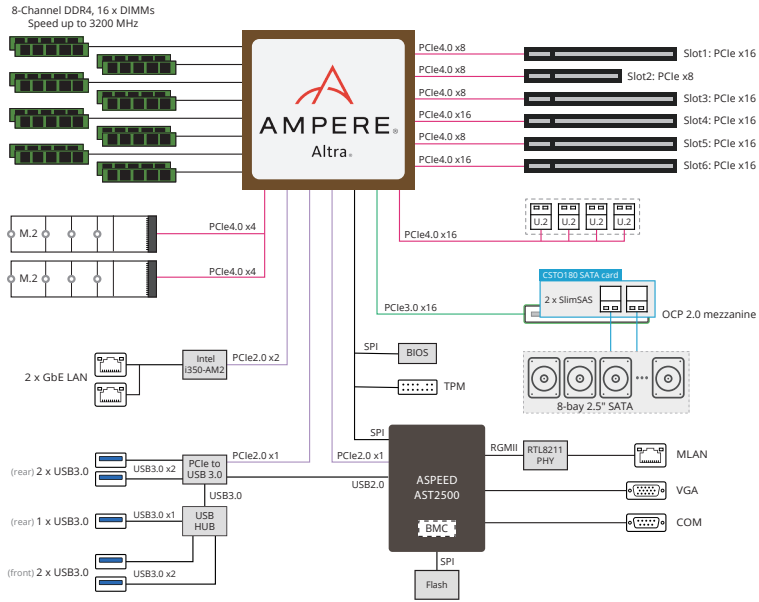


## System Dimension

- ◆ 2U
- ◆ 438mm (W) x 87.5mm (H) x 660mm (D)



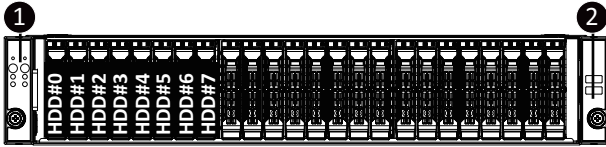
# 1-3 System Block Diagram



This page intentionally left blank

# Chapter 2 System Appearance

## 2-1 Front View

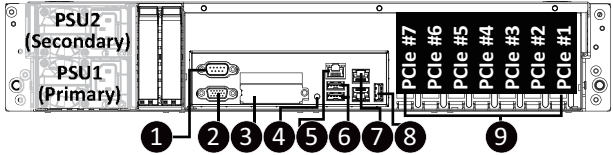


No.	Description
1.	Front Panel LEDs and buttons
2.	Front USB 3.0 Port



- Please Go to Chapter **2-3 Front Panel LED** and Buttons for detail description of function LEDs.

## 2-2 Rear View

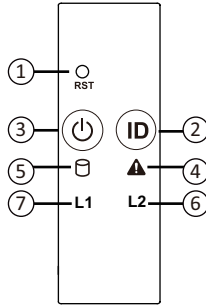


No.	Description
1.	Serial Port
2.	VGA Port
3.	Mezzanine Card Slot (Option/OCV V2.0 Card)
4.	ID Button with LED
5.	10/100/1000 Server management LAN port
6.	USB 3.0 Port x 2
7.	1GbE LAN Port x 2
8.	USB 3.0 Port
9.	PCIe Card Slot x 7



- PCIe #7 Slot is optional.
- Refer to section **2-4 Rear System LAN LEDs** for a detailed description of the function of the LEDs.

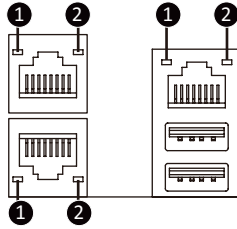
## 2-3 Front Panel LED and Buttons



No.	Name	Color	Status	Description
1.	Reset Button	--	--	Press this button to reset the system.
2.	ID Button with LED	Blue	On	Indicates the system identification is active.
		N/A	Off	Indicates the system identification is disabled.
3.	Power button with LED	Green	On	Indicates the system is powered on.
		Green	Blink	System is in ACPI S1 state (sleep mode).
		N/A	Off	<ul style="list-style-type: none"> <li>System is not powered on or in ACPI S5 state (power off)</li> <li>System is in ACPI S4 state (hibernate mode)</li> </ul>
4.	System Status LED	Green	On	Indicates system is operating normally.
		Amber	On	Indicates a critical condition, may include: <ul style="list-style-type: none"> <li>-System fan failure</li> <li>-System temperature</li> </ul>
			Blink	Indicates non-critical condition, may include: <ul style="list-style-type: none"> <li>-Redundant power module failure</li> <li>-Temperature and voltage issue</li> </ul>
		N/A	Off	Indicates system is not ready, may include: <ul style="list-style-type: none"> <li>-POST error</li> <li>-Processor or terminator is missing</li> </ul>
5.	HDD Status LED	Green	On	Indicates locating the HDD.
			Blink	Indicates accessing the HDD.
		Amber	On	Indicates HDD error.
		Green/Amber	Blink	Indicates HDD rebuilding.
		N/A	Off	Indicates no HDD access or no HDD error.

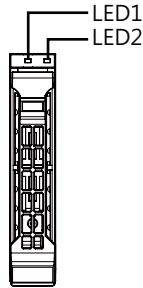
6.	LAN2 Active/ Link LED	Green	On	Indicates a link between the system and the network or no access.
		Green	Blink	Indicates data transmission or receiving is occurring.
		N/A	Off	Indicates no data transmission or receiving is occurring.
7.	LAN1 Active/ Link LED	Green	On	Indicates a link between the system and the network or no access.
		Green	Blink	Indicates data transmission or receiving is occurring.
		N/A	Off	Indicates no data transmission or receiving is occurring.

## 2-4 Rear System LAN LEDs



No.	Name	Color	Status	Description
1.	1GbE Speed LED	Yellow	On	1 Gbps data rate
		Green	On	100 Mbps data rate
		N/A	Off	10 Mbps data rate
2.	1GbE Link/Activity LED	Green	On	Link between system and network or no access
			Blink	Data transmission or receiving is occurring
		N/A	Off	No data transmission or receiving is occurring

## 2-5 Hard Disk Drive LEDs



RAID SKU		LED1	Locate	HDD Fault	Rebuilding	HDD Access	HDD Present (No Access)
No RAID configuration (via HBA)	Disk LED (LED on Back Panel)	Green	ON(*1)	OFF		BLINK (*2)	OFF
		Amber	OFF	OFF		OFF	OFF
	Removed HDD Slot (LED on Back Panel)	Green	ON(*1)	OFF		--	--
		Amber	OFF	OFF		--	--
RAID configuration (via HW RAID Card or SW RAID Card)	Disk LED	Green	ON	OFF		BLINK (*2)	OFF
		Amber	OFF	ON	(Low Speed: 2 Hz)	OFF	OFF
	Removed HDD Slot	Green	ON(*1)	OFF	(*3)	--	--
		Amber	OFF	ON	(*3)	--	--

LED 2	HDD Present	No HDD
Green	ON	OFF

NOTE:

\*1: Depends on HBA/Utility Spec.

\*2: Blink cycle depends on HDD's activity signal.

\*3: If HDD is pulled out during rebuilding, the disk status of this HDD is regarded as faulty.



## Chapter 3 System Hardware Installation



### Pre-installation Instructions

Computer components and electronic circuit boards can be damaged by electrostatic discharge. Working on computers that are still connected to a power supply can be extremely dangerous. Follow the simple guidelines below to avoid damage to your computer or injury to yourself.

- Always disconnect the computer from the power outlet whenever you are working inside the computer case.
- If possible, wear a grounded wrist strap when you are working inside the computer case. Alternatively, discharge any static electricity by touching the bare metal system of the computer case, or the bare metal body of any other grounded appliance.
- Hold electronic circuit boards by the edges only. Do not touch the components on the board unless it is necessary to do so. Do not flex or stress the circuit board.
- Leave all components inside the static-proof packaging until you are ready to use the component for the installation.

### 3-1 Removing and Installing the Chassis Cover

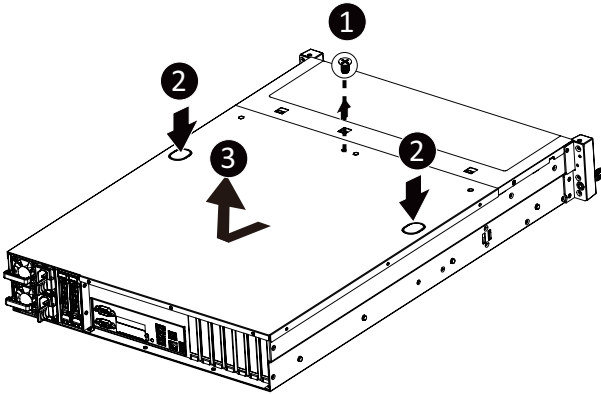


Before you remove or install the system cover

- Make sure the system is not turned on or connected to AC power.

**Follow these instructions to remove the chassis covers:**

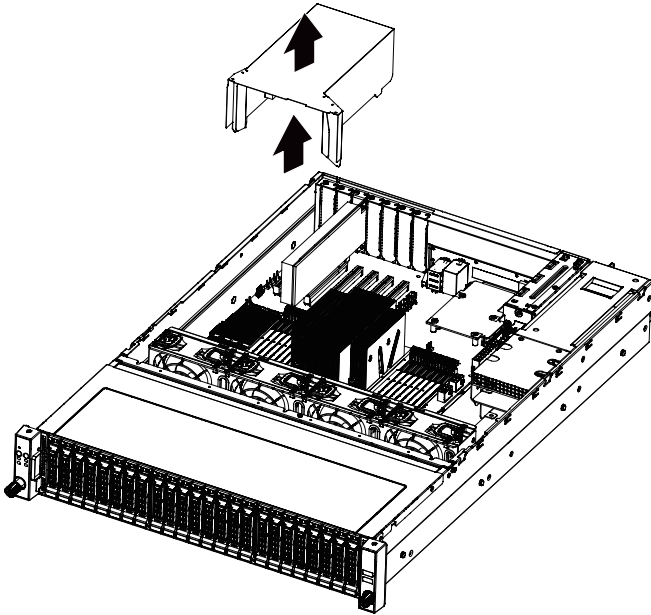
1. Remove the screw securing the back chassis cover.
2. Push down on the indentations located on the side of the chassis cover.
3. Slide the chassis cover to the rear of the system and then remove the cover in the direction of the arrow.
4. To reinstall the chassis cover follow steps 1-3 in reverse order.



## 3-2 Removing and Installing the Fan Duct

Follow these instructions to remove the fan duct:

1. Lift up to remove the fan duct.
2. To reinstall the fan duct, align the fan duct with the guiding groove. Push down the fan duct until it is firmly seated on the system.



### 3-3 Removing and Installing the Heat Sink



Read the following guidelines before you begin to install the heat sink:

- Always turn off the computer and unplug the power cord from the power outlet before installing the heat sink to prevent hardware damage.
- Unplug all cables from the power outlets.
- Disconnect all telecommunication cables from their ports.
- Place the system unit on a flat and stable surface.
- Open the system according to the instructions.

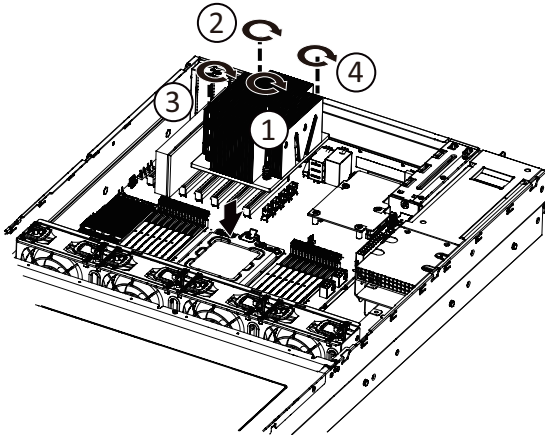


**WARNING!**

Failure to turn off the server before you start installing components may cause serious damage. Do not attempt the procedures described in the following sections unless you are a qualified service technician.

**Follow these instructions to install the heat sink:**

1. Loosen the screws securing the heat sink in place in reverse order (4→3→2→1).
2. Lift and remove the heat sink from the system.
3. To install the heat sink, reverse steps 1-2 while ensuring that you tighten the captive screws in sequential order (1→2→3→4) as seen in the image below.



## 3-4 Removing and Installing the CPU



Read the following guidelines before you begin to install the CPU:

- Make sure that the motherboard supports the CPU.
- Always turn off the computer and unplug the power cord from the power outlet before installing the CPU to prevent hardware damage.
- Unplug all cables from the power outlets.
- Disconnect all telecommunication cables from their ports.
- Place the system unit on a flat and stable surface.
- Open the system according to the instructions.

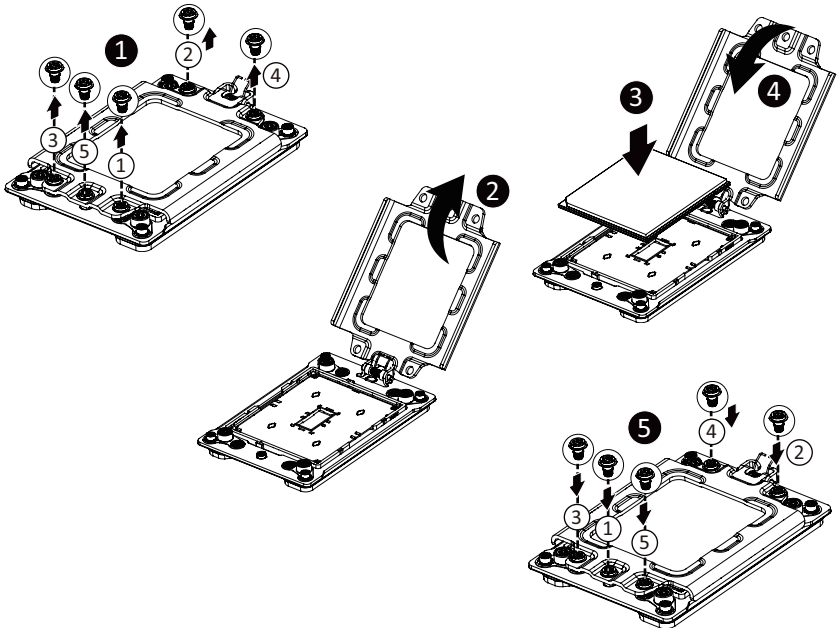


### **WARNING!**

Failure to properly turn off the server before you start installing components may cause serious damage. Do not attempt the procedures described in the following sections unless you are a qualified service technician.

### **Follow these instructions to install the CPU:**

1. Loosen the five captive screws securing the CPU cover in sequential order (1→2→3→4→5).
2. Flip open the CPU cover.
3. Remove the CPU carrier from the CPU frame using the handle on the CPU carrier.
4. Install the CPU into place in the CPU socket.
5. Flip the CPU cover into place over the CPU socket.
6. Tighten the CPU cover screws in sequential order (1→2→3→4→5) to secure the CPU cover in place.
7. To remove the CPUs, follow steps 1-6 in reverse order.



### 3-5 Removing and Installing Memory

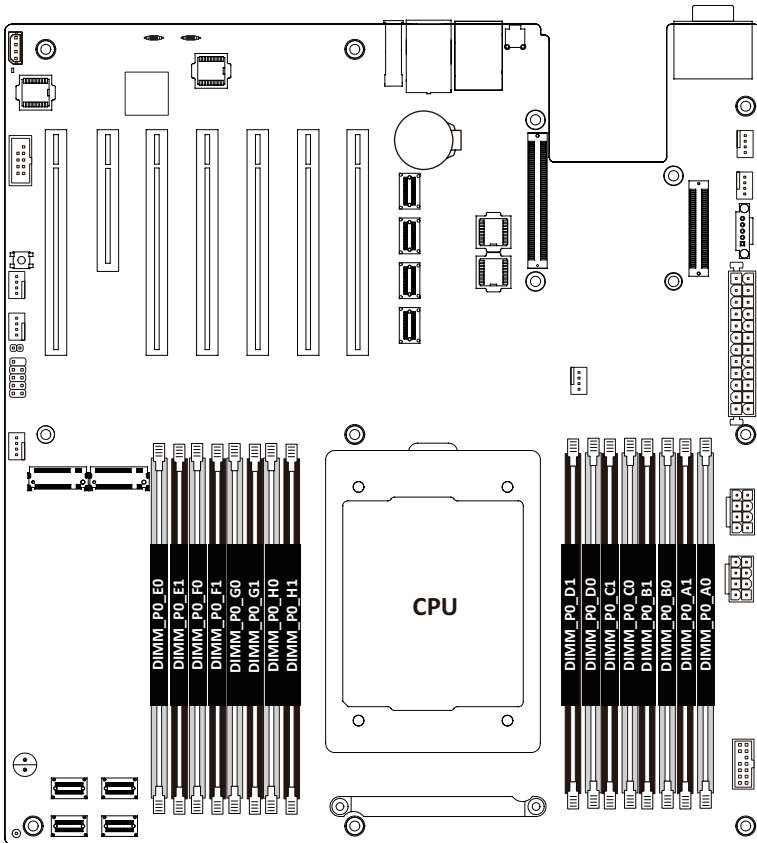


Read the following guidelines before you begin to install the memory:

- Make sure that the motherboard supports the memory. It is recommended that memory of the same capacity, brand, speed, and chips be used.
- Always turn off the computer and unplug the power cord from the power outlet before installing the memory to prevent hardware damage.
- Memory modules have a foolproof design. A memory module can be installed in only one direction. If you are unable to insert the memory, switch the direction.

#### 3-5-1 Eight-Channel Memory Configuration

This motherboard provides 16 DDR4 memory sockets and supports Eight Channel Technology. After the memory is installed, the BIOS will automatically detect the specifications and capacity of the memory.



### 3-5-2 Removing and Installing a Memory Module

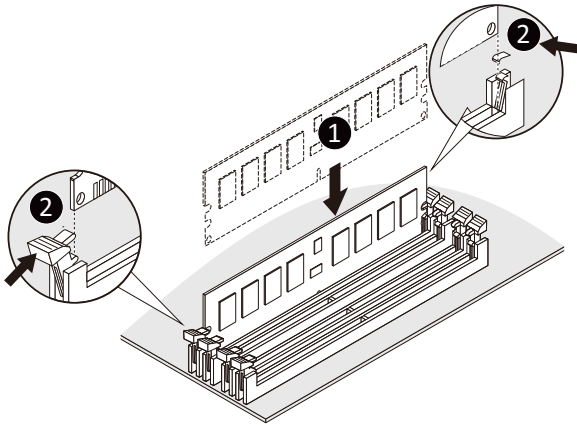


Before installing a memory module, make sure to turn off the computer and unplug the power cord from the power outlet to prevent damage to the memory module.

Be sure to install DDR4 DIMMs on to this motherboard.

Follow these instructions to install a DIMM module:

1. Insert the DIMM memory module vertically into the DIMM slot and push it down.
2. Close the plastic clip at both edges of the DIMM slots to lock the DIMM module.
3. Reverse the installation steps when you want to remove the DIMM module.



### 3-5-3 DIMM Population Table

Type	Ranks Per DIMM and Data Width	DIMM Capacity (GB)	Speed (MT/s); Voltage (V) Slot Per Channel (SPC) DIMM Per Channel (DPC)		
			1 Slot per Channel	2 Slots per Channel	
			DIMM Density	1DPC	1DPC
		8Gb	1.2V	1.2V	1.2V
RDIMM	SRx4	16GB	3200	3200	3200
RDIMM	DRx8	16GB			

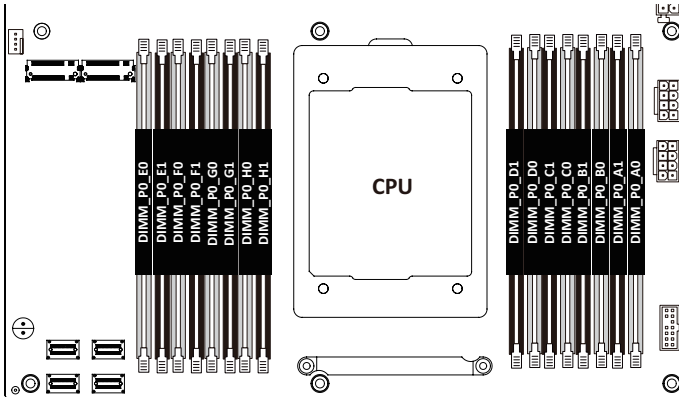
### 3-5-4 Altra Platform DDR4 Suggest Configuration Table

Channels Used	Channels used ( ✓ = Memory Installed)							
	DIMM_PO_E0	DIMM_PO_F0	DIMM_PO_G0	DIMM_PO_H0	DIMM_PO_D0	DIMM_PO_C0	DIMM_PO_B0	DIMM_PO_A0
1								✓
1	✓							
2	✓							✓
4	✓	✓					✓	✓
6	✓	✓	✓			✓	✓	✓
8	✓	✓	✓	✓	✓	✓	✓	✓

Channels Used	Channels used ( ✓ = Memory Installed)							
	DIMM_PO_E0 DIMM_PO_E1	DIMM_PO_F0 DIMM_PO_F1	DIMM_PO_G0 DIMM_PO_G1	DIMM_PO_H0 DIMM_PO_H1	DIMM_PO_D0 DIMM_PO_D1	DIMM_PO_C0 DIMM_PO_C1	DIMM_PO_B0 DIMM_PO_B1	DIMM_PO_A0 DIMM_PO_A1
1								✓ ✓
1	✓ ✓							
2	✓ ✓							✓ ✓
4	✓ ✓	✓ ✓					✓ ✓	✓ ✓
6	✓ ✓	✓ ✓	✓ ✓			✓ ✓	✓ ✓	✓ ✓
8	✓ ✓	✓ ✓	✓ ✓	✓ ✓	✓ ✓	✓ ✓	✓ ✓	✓ ✓

#### 1 DIMM Per Channel

Channels Used	Channels used ( ✓ = Memory Installed)							
	DIMM_PO_E0	DIMM_PO_F0	DIMM_PO_G0	DIMM_PO_H0	DIMM_PO_D0	DIMM_PO_C0	DIMM_PO_B0	DIMM_PO_A0
8	✓	✓	✓	✓	✓	✓	✓	✓





### 3-6 Removing and Installing the PCI Expansion Card



- Voltages can be present within the server whenever an AC power source is connected. This voltage is present even when the main power switch is in the off position. Ensure that the system is powered off and all power sources have been disconnected from the server prior to installing a PCIe card.

- Failure to observe these warnings could result in personal injury or damage to equipment.



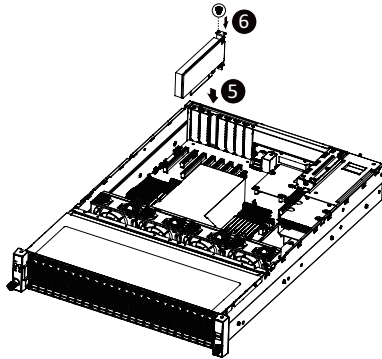
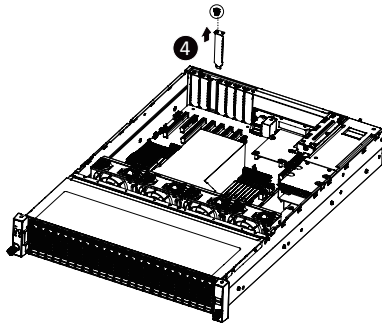
- The PCI riser assembly does not include a riser card or any cabling as standard. To install a PCIe card, a riser card must be installed.

**Follow these instructions to PCI Expansion card:**

1. Remove the screw securing the riser bracket. Lift up the riser bracket out of system.
2. Loosen and remove the screw securing the slot cover from riser bracket.
3. Orient the PCIe card with the riser guide slot and push in the direction of the arrow until the PCIe card sits in the PCIe card connector.

**NOTE:** Some riser brackets allow for single or multiple PCIe cards. Repeat steps 4-5 as necessary.

4. Secure the PCIe card with the screw.
5. Reverse steps 1-3 to install the riser bracket.



### 3-7 Removing and Installing the Hard Disk Drive

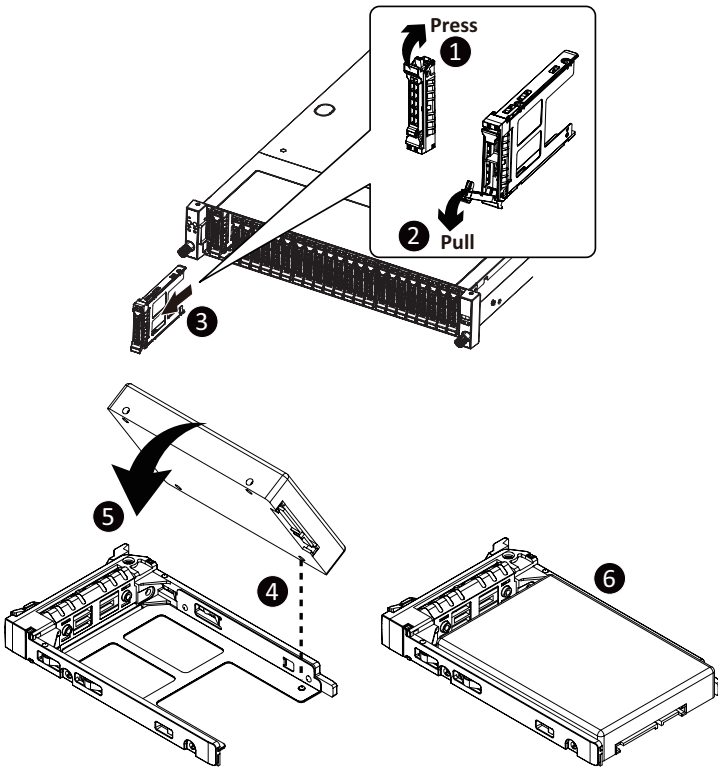


Read the following guidelines before you begin to install the hard disk drive:

- Take note of the drive tray orientation before sliding it out.
- The tray will not fit back into the bay if it is inserted incorrectly.
- Make sure that the HDD is connected to the HDD connector on the backplane.

**Follow these instructions to install a 2.5" hard disk drive:**

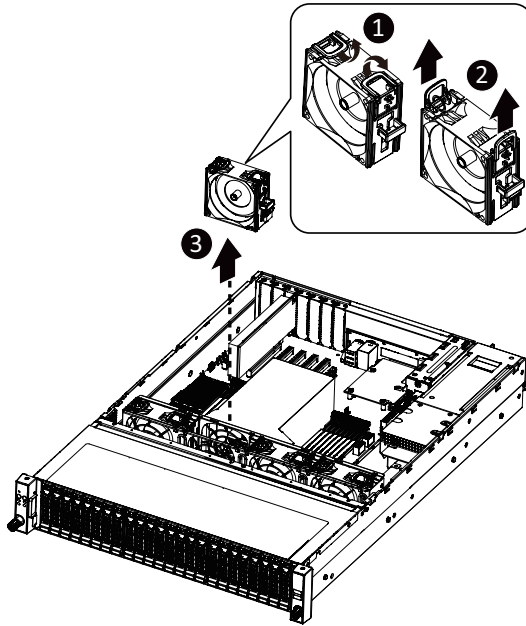
1. Press down the colored release button.
2. Pull out the black locking lever.
3. Use the black locking lever to slide out the HDD tray.
4. Place one side of the HDD at a 45 degree angle into the tray, and align the guiding stand-offs in the tray with the installation holes of the HDD.
5. Once aligned, push down the other side of the HDD and press it until it clicks.



### 3-8 Replacing the Fan Assembly

Follow these instructions to replace a fan assembly:

1. Flip the latches on the top of the fan outwards.
2. Using the latches, lift up the fan assembly from the chassis.
3. Reverse the previous steps to install the replacement fan assembly.



### 3-9 Removing and Installing the Power Supply

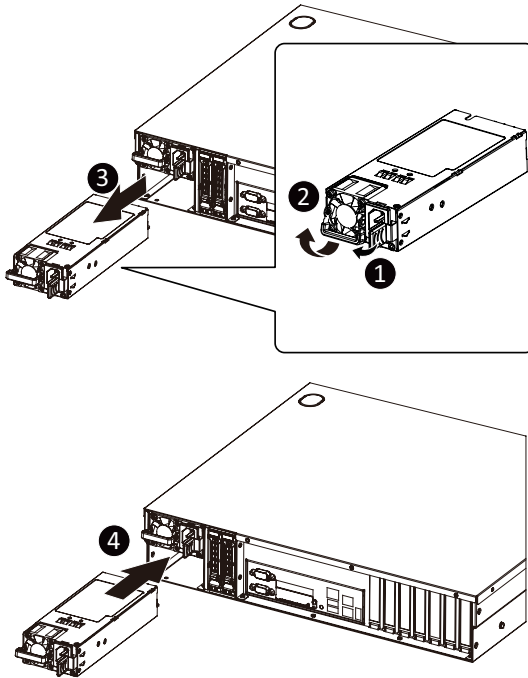


Before you remove or install the power supply unit:

- Make sure the system is not turned on or connected to AC power.

**Follow these instructions to replace the power supply:**

1. Press the retaining clip on the left side of the power supply unit along the direction of the arrow.
2. Pull the power supply handle at the same time and pull out the power supply unit.
3. Insert the replacement power supply unit firmly into the chassis. Connect the AC power cord to the replacement power supply.
4. Repeat steps 1-3 for replacement of the second power supply.



## 3-10 Installing the Mezzanine Card (Optional)

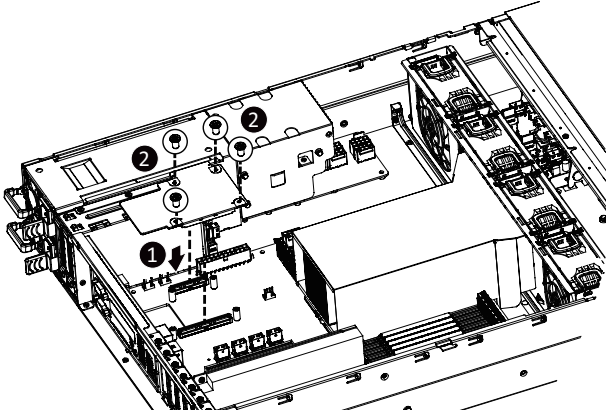
Follow these instructions to install a mezzanine card:

1. Insert the mezzanine card into the system ensuring that the connector on the mezzanine card connects to the connector on the motherboard.
2. Secure the mezzanine card to the system with three screws.



**NOTE!**

Supports OCP V2.0 Card.



## 3-11 Installing and Removing an M.2 Device

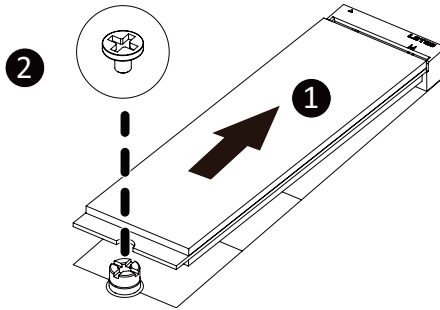


### CAUTION:

The position of the stand-off screw will depend on the size of the M.2 device. The stand-off screw is pre-installed for 22110 cards as standard. Refer to the size of the M.2 device and change the position of the stand-off screw accordingly.

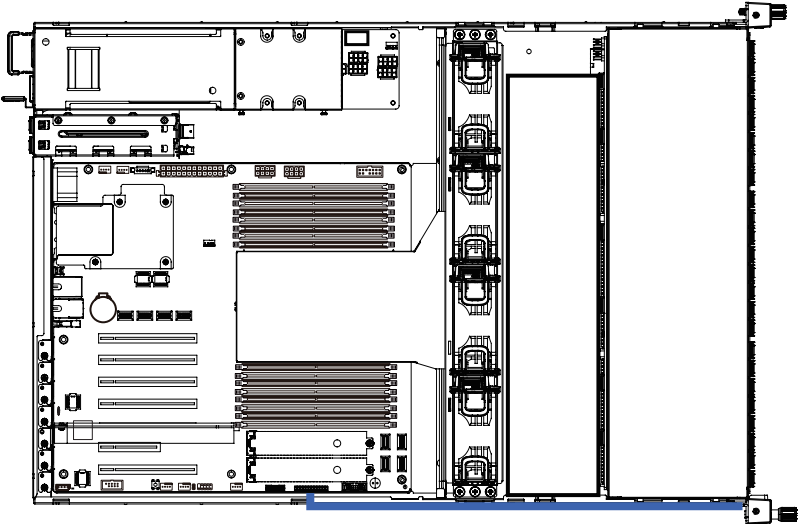
### Follow these instructions to install an optional M.2 device:

1. Insert the M.2 device into the M.2 connector.
2. Press down on the M.2 device.
3. Secure the M.2 device to the motherboard with a single screw.
4. Reverse steps 1-3 to remove the M.2 device.

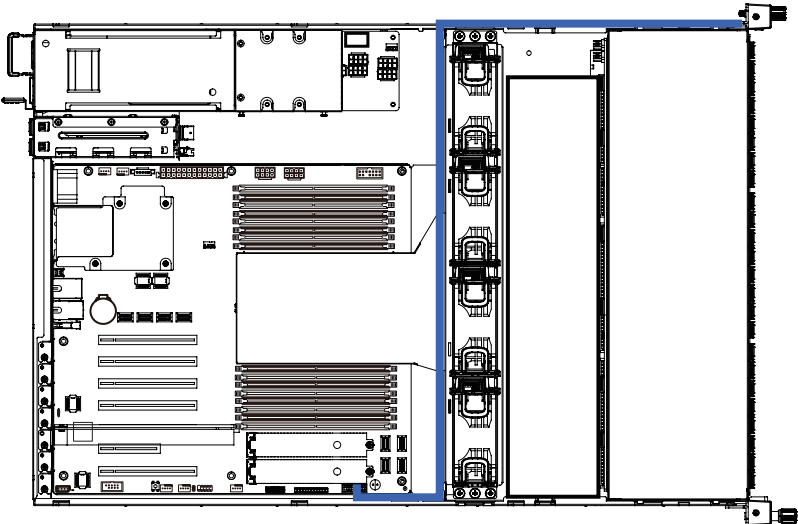


# 3-12 Cable Routing

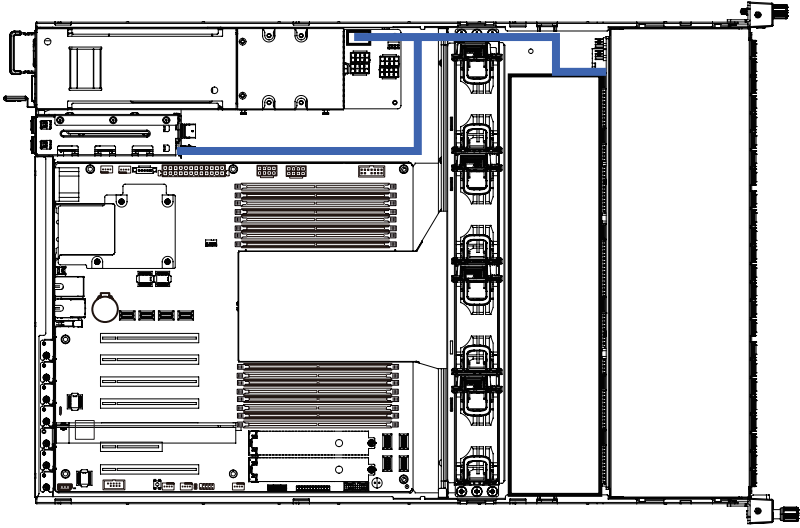
## Front Switch Cable/Front LED Cable



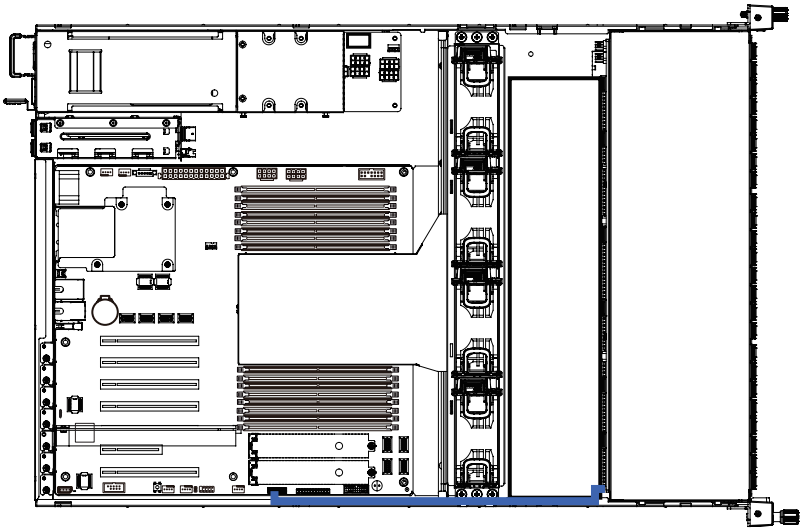
## Front Panel USB 3.0 Cable



### HDD Back Plane Board Power Cable



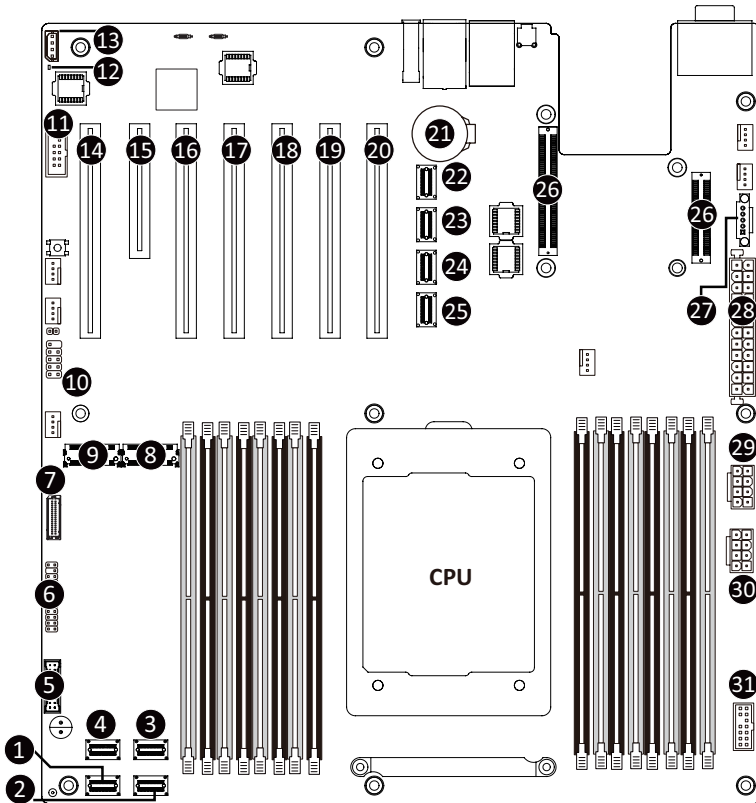
### HDD Back Plane Board Signal Cable





# Chapter 4 Motherboard Components

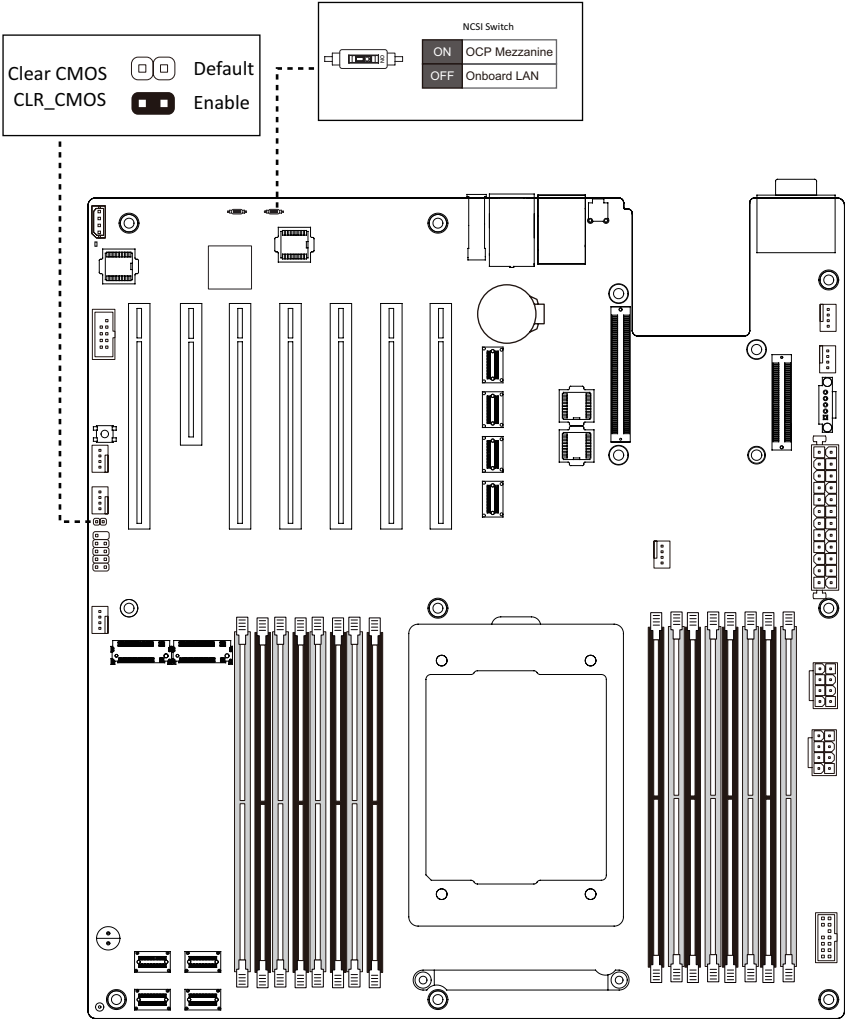
## 4-1 Motherboard Components



Item	Description
1	SlimLine SAS Connector (U2_3)
2	SlimLine SAS Connector (U2_2)
3	SlimLine SAS Connector (U2_1)
4	SlimLine SAS Connector (U2_0)
5	Front panel USB 3.0 Connector
6	Front Panel Connector
7	HDD Back Plane Board Connector
8	M.2 Connector (PCIe4 x4, NGFF-22110)
9	M.2 Connector (PCIe4 x4, NGFF-22110)

10	USB 2.0 Connector
11	Serial Port Cable Connector
12	BMC Firmware Readiness LED
13	IPMB Connector
14	PCIe x16 Slot #1 (x8 Signal)
15	PCIe x8 Slot #2 (x8 Signal)
16	PCIe x16 Slot #3 (x8 Signal)
17	PCIe x16 Slot #4 (x16 Signal)
18	PCIe x16 Slot #5 (x8 Signal)
19	PCIe x16 Slot #6 (x16 Signal)
20	PCIe x16 Slot #7 (x16 Signal)
21	System Battery
22	SlimLine SAS Connector (SLINK0)
23	SlimLine SAS Connector (SLINK1)
24	SlimLine SAS Connector (SLINK2)
25	SlimLine SAS Connector (SLINK3)
26	OCP Mezzanine Connector
27	PMBus Connector
28	2 x 13 Pin Power Connector
29	2 x 4 Pin 12V Power Connector
30	2 x 4 Pin 12V Power Connector
31	TPM Module Connector

# 4-2 Jumper Settings



This page intentionally left blank

## Chapter 5 BIOS Setup

BIOS (Basic Input and Output System) records hardware parameters of the system in the EFI on the motherboard. Its major functions include conducting the Power-On Self-Test (POST) during system startup, saving system parameters and loading operating system, etc. BIOS includes a BIOS Setup program that allows the user to modify basic system configuration settings or to activate certain system features. When the power is turned off, the battery on the motherboard supplies the necessary power to the CMOS to keep the configuration values in the CMOS.

To access the BIOS Setup program, press the <DEL> key during the POST when the power is turned on.



- BIOS flashing is potentially risky, if you do not encounter problems of using the current BIOS version, it is recommended that you don't flash the BIOS. To flash the BIOS, do it with caution. Inadequate BIOS flashing may result in system malfunction.
- It is recommended that you not alter the default settings (unless you need to) to prevent system instability or other unexpected results. Inadequately altering the settings may result in system's failure to boot. If this occurs, try to clear the CMOS values and reset the board to default values. (Refer to the **Exit** section in this chapter or introductions of the battery/clearing CMOS jumper in Chapter 1 for how to clear the CMOS values.)

### BIOS Setup Program Function Keys

<<-><->>	Move the selection bar to select the screen
<↑><↓>	Move the selection bar to select an item
<+>	Increase the numeric value or make changes
<->	Decrease the numeric value or make changes
<Enter>	Execute command or enter the submenu
<Esc>	Main Menu: Exit the BIOS Setup program Submenus: Exit current submenu
<F1>	Show descriptions of general help
<F3>	Restore the previous BIOS settings for the current submenus
<F9>	Load the Optimized BIOS default settings for the current submenus
<F10>	Save all the changes and exit the BIOS Setup program

- **Main**

This setup page includes all the items in standard compatible BIOS.

- **Advanced**

This setup page includes all the items of AMI BIOS special enhanced features.

(ex: Auto detect fan and temperature status, automatically configure hard disk parameters.)

- **Chipset**

This setup page includes all the submenu options for configuring the function of processor, network, North Bridge, South Bridge, and System event logs.

- **Server Management**

Server additional features enabled/disabled setup menus.

- **Security**

Change, set, or disable supervisor and user password. Configuration supervisor password allows you to restrict access to the system and BIOS Setup.

A supervisor password allows you to make changes in BIOS Setup.

A user password only allows you to view the BIOS settings but not to make changes.

- **Boot**

This setup page provides items for configuration of boot sequence.

- **Save & Exit**

Save all the changes made in the BIOS Setup program to the CMOS and exit BIOS Setup. (Pressing <F10> can also carry out this task.)

Abandon all changes and the previous settings remain in effect. Pressing <Y> to the confirmation message will exit BIOS Setup. (Pressing <Esc> can also carry out this task.)

# 5-1 The Main Menu

Once you enter the BIOS Setup program, the Main Menu (as shown below) appears on the screen. Use arrow keys to move among the items and press <Enter> to accept or enter other sub-menu.

## Main Menu Help

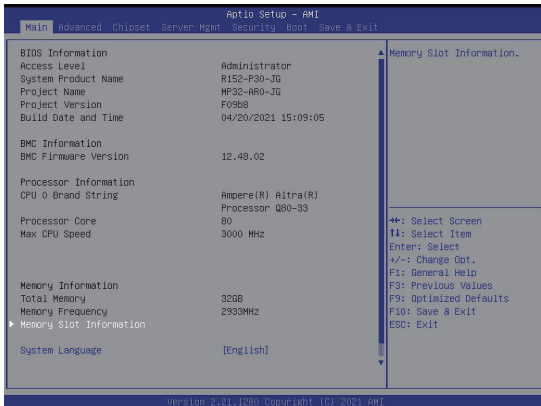
The on-screen description of a highlighted setup option is displayed on the bottom line of the Main Menu.

## Submenu Help

While in a submenu, press <F1> to display a help screen (General Help) of function keys available for the menu. Press <Esc> to exit the help screen. Help for each item is in the Item Help block on the right side of the submenu.



- When the system is not stable as usual, select the **Restore Defaults** item to set your system to its defaults.
- The BIOS Setup menus described in this chapter are for reference only and may differ by BIOS version.

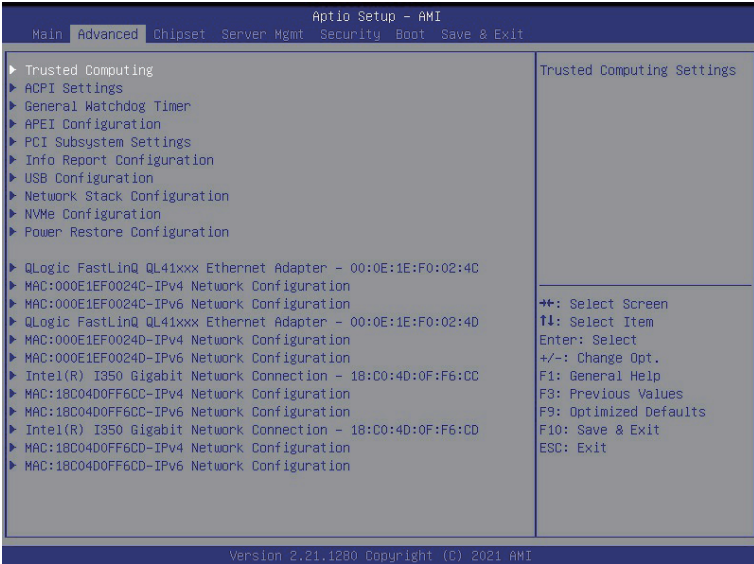


Parameter	Description
BIOS Information	
Access Level	Display the privileges level information.
System Project Name	Displays the system project name information.
Project Name	Displays the motherboard project name information.
Project Version	Displays version number of the BIOS setup utility.
Build Date and Time	Displays the date and time when the BIOS setup utility was created.
BMC Information	
BMC Firmware Version	Displays version number of the BIOS setup utility.
Processor Information	
CPU0 Brand String	Displays the technical specifications for the installed processor.
Processor Core	
Max CPU Speed	
Memory Information	
Total Memory	Displays the technical specifications for the installed memory.
Memory Frequency	
Memory Slot Information	Press [Enter] to view installed memory slot information.
System Language	Option: English
System Date	Sets the date following the weekday-month-day-year format.
System Time	Sets the system time following the hour-minute-second format.

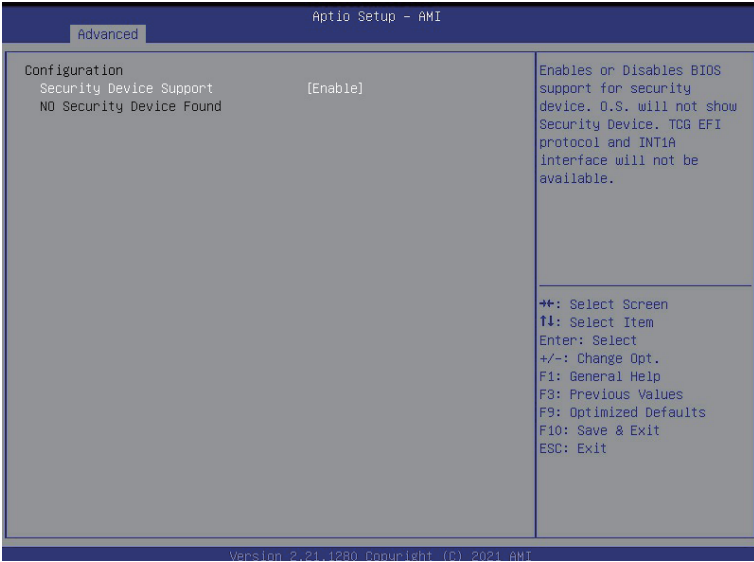


# 5-2 Advanced Menu

The Advanced menu display submenu options for configuring the function of various hardware components. Select a submenu item, then press [Enter] to access the related submenu screen.

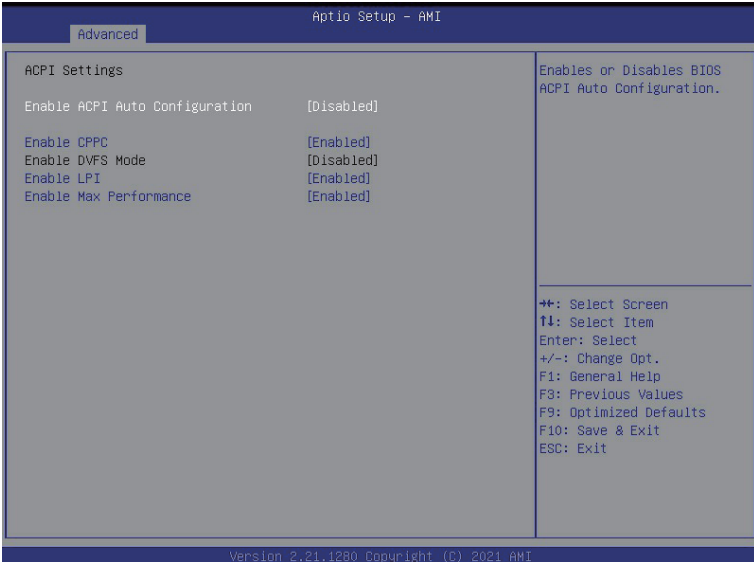


## 5-2-1 Trusted Computing



Parameter	Description
Configuration	
Security Device Support	Select Enabled to activate TPM support feature. Options available: Enable/Disable. Default setting is <b>Enable</b> .

## 5-2-2 ACPI Settings



Parameter	Description
ACPI Settings	
Enable ACPI Auto Configuration	Enable or disable BIOS ACPI auto configuration. Options available: Enabled/Disabled. Default setting is <b>Enabled</b> .
Enable CPPC	Enable or disable CPPC. Options available: Enable/Disable. Default setting is <b>Enabled</b> .
Enable DVFS Mode	Options available: Enabled/Disabled. Default setting is <b>Disabled</b> .
Enable LPI	Options available: Enabled/Disabled. Default setting is <b>Enabled</b> .
Enable Max Performance	Options available: Enabled/Disabled. Default setting is <b>Enabled</b> .

### 5-2-3 General Watchdog



Parameter	Description
General Watchdog Timer	
Secure Watchdog Timeout	Timeout when SCP will reset system if it doesn't receive response from ARMv8. Options available: 5 minutes/6 minutes/10 minutes/15 minutes/25 minutes. Default setting is <b>5 minutes</b> .
BIOS Watchdog Timeout	Options available: 5 minutes/6 minutes/10 minutes/15 minutes/25 minutes. Default setting is <b>5 minutes</b> .
OS Watchdog Timeout	Timeout when boot OS. Options available: Disable/3 minutes/4 minutes/5 minutes/6 minutes/10 minutes/15 minutes/20 minutes. Default setting is <b>Disable</b> .

## 5-2-4 APEI Configuration



Parameter	Description
APEI Configuration	
APEI Enable	Enable/Disable ACPI Platform Error Interface support. Options available: Enabled/Disabled. Default setting is <b>Disabled</b> .

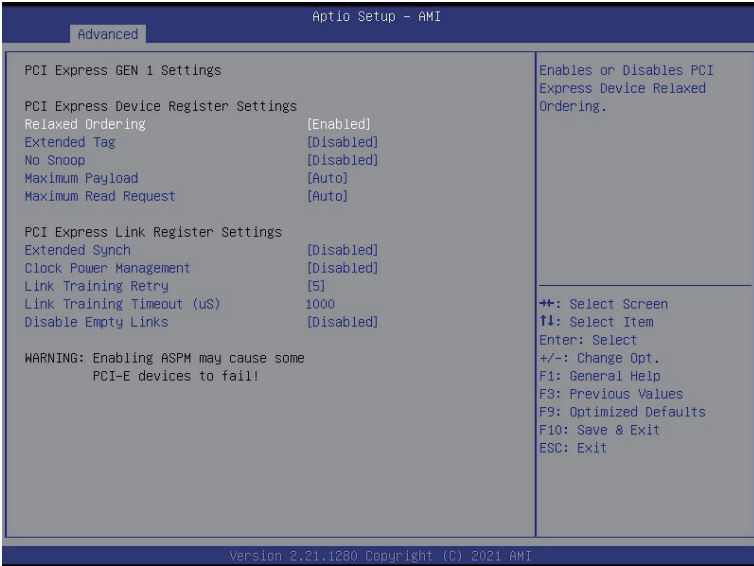
## 5-2-5 PCI Subsystem Settings

Aptio Setup - AMI	
Advanced	
<p>AMI PCI Driver Version : A5.01.20</p> <p>PCI Settings Common for all Devices:            Above 4G Decoding [Enabled]            SR-IOV Support [Disabled]</p> <p>Change Settings of the Following PCI Devices:</p> <ul style="list-style-type: none"> <li>▶ Slot # 8 Occupied [Network Controller]</li> <li>▶ OnBoard Device [Network Controller]</li> <li>▶ OnBoard Device [Display Controller]</li> <li>▶ OnBoard Device [Bridge Device]</li> <li>▶ OnBoard Device [Serial Bus Controller]</li> </ul> <p>WARNING: Changing PCI Device(s) settings may have unwanted side effects! System may HANG! PROCEED WITH CAUTION.</p>	<p>Globally Enables or Disables 64bit capable Devices to be Decoded in Above 4G Address Space (Only If System Supports 64 bit PCI Decoding).</p> <hr/> <p>++: Select Screen            ↑↓: Select Item            Enter: Select            +/-: Change Opt.            F1: General Help            F3: Previous Values            F9: Optimized Defaults            F10: Save &amp; Exit            ESC: Exit</p>
Version 2.21.1280 Copyright (C) 2021 AMI	

Aptio Setup - AMI	
Advanced	
<p>PCI Express GEN 1 Settings</p> <p>PCI Express Device Register Settings</p> <ul style="list-style-type: none"> <li>Relaxed Ordering [Enabled]</li> <li>Extended Tag [Disabled]</li> <li>No Snoop [Disabled]</li> <li>Maximum Payload [Auto]</li> <li>Maximum Read Request [Auto]</li> </ul> <p>PCI Express Link Register Settings</p> <ul style="list-style-type: none"> <li>Extended Synch [Disabled]</li> <li>Clock Power Management [Disabled]</li> <li>Link Training Retry [5]</li> <li>Link Training Timeout (US) 1000</li> <li>Disable Empty Links [Disabled]</li> </ul> <p>WARNING: Enabling ASPM may cause some PCI-E devices to fail!</p>	<p>Enables or Disables PCI Express Device Relaxed Ordering.</p> <hr/> <p>++: Select Screen            ↑↓: Select Item            Enter: Select            +/-: Change Opt.            F1: General Help            F3: Previous Values            F9: Optimized Defaults            F10: Save &amp; Exit            ESC: Exit</p>
Version 2.21.1280 Copyright (C) 2021 AMI	

Parameter	Description
AMI PCI Bus Driver Version	Displays the AMI PCI Bus Driver version information.
Above 4G Decoding	Enable/Disable memory mapped I/O to 4GB or greater address space (Above 4G Decoding). Options available: Enabled/Disabled. Default setting is <b>Disabled</b> .
SR-IOV Support	If the system has SR-IOV capable PCIe devices, this item Enable/Disable Single Root IO Virtualization Support. Options available: Enabled/Disabled. Default setting is <b>Enabled</b> .
Change Settings of the Following PCI Devices	
Slot #8 Occupied Onboard Device_#	<ul style="list-style-type: none"> <li>◆ PCI Latency Timer <ul style="list-style-type: none"> <li>– Value to be programmed onto PCI Latency Timer Register.</li> </ul> Options available: 32/64/96/128/160/192/224/248 PCI Bus Clocks. Default setting is <b>32 PCI Bus Clocks</b>. </li> <li>◆ PCI-X Latency Timer <ul style="list-style-type: none"> <li>– Value to be programmed onto PCI Latency Timer Register.</li> </ul> Options available: 32/64/96/128/160/192/224/248 PCI Bus Clocks. Default setting is <b>64 PCI Bus Clocks</b>. </li> <li>◆ VGA Palette Snoop <ul style="list-style-type: none"> <li>– Enable or disable VGA Palette Registers Snooping.</li> </ul> Options available: Enabled/Disabled. Default setting is <b>Disabled</b>. </li> <li>◆ PERR# <ul style="list-style-type: none"> <li>– Enable or disable PCI device to generate PERR.</li> </ul> Options available: Enabled/Disabled. Default setting is <b>Disabled</b>. </li> <li>◆ SERR# <ul style="list-style-type: none"> <li>– Enable or disable PCI device to generate SERR.</li> </ul> Options available: Enabled/Disabled. Default setting is <b>Disabled</b>. </li> </ul>
Disable Above 4G Decoding	Options available: Enabled/Disabled. Default setting is <b>Disabled</b> .
Disable PCIe Init	Options available: Enabled/Disabled. Default setting is <b>Disabled</b> .
Disable PCIe GEN2	Options available: Enabled/Disabled. Default setting is <b>Disabled</b> .

## 5-2-5-1 PCI Express GEN 1 Settings



Parameter	Description
PCI Express GEN1 Setting	<p>PCI Express GEN1 Device Register Settings</p> <ul style="list-style-type: none"> <li>◆ Relaxed Ordering                             <ul style="list-style-type: none"> <li>– Enable or disable PCI Express Device Relaxed Ordering.</li> </ul>                             Options available: Enabled/Disabled. Default setting is <b>Enabled</b>.                         </li> <li>◆ Extend Tag                             <ul style="list-style-type: none"> <li>– If enabled, allows device to use 8-bit Tag field as a requester.</li> </ul>                             Options available: Enabled/Disabled. Default setting is <b>Disabled</b>.                         </li> <li>◆ No Snoop                             <ul style="list-style-type: none"> <li>– Enable or disable PCI Express Device No Snoop option.</li> </ul>                             Options available: Enabled/Disabled. Default setting is <b>Disabled</b>.                         </li> <li>◆ Maximum Payload                             <ul style="list-style-type: none"> <li>– Set Maximum Payload of PCI Express Device or allow System BIOS to select the value.</li> </ul>                             Options available: Auto/128 Bytes/ 256 Bytes. Default setting is <b>Auto</b>.                         </li> </ul>



Parameter	Description
PCI Express GEN1 Setting	PCI Express Device Link Register Settings ♦ Maximum Read Request – Set Maximum Read Request of PCI Express Device or allow System BIOS to select the value. Options available: Auto/128 /256/512/1024/2048/4096 Bytes. Default setting is <b>Auto</b> .
	♦ Extended Synch – If enabled, allows generation of Extended Synchronization patterns. Options available: Enabled/Disabled. Default setting is <b>Disabled</b> .
	♦ Clock Power Management – If support by hardware and set to 'Enabled', the device is permitted to use CLKREQ# signal for power management of link clock in accordance to protocol defined in appropriate form factor specification. Options available: Enabled/Disabled. Default setting is <b>Disabled</b> .
	♦ Link Training Retry – Defines numbers of Retry Attempts software will take to retrain the link if previous training attempt was unsuccessful. Options available: Disabled/2/3/5. Default setting is <b>Disabled</b> .
	♦ Link Training Timeout (uS) Press '+' and '-' keys to set the values. ♦ Link Training Retry – Defines numbers of Retry Attempts software will take to retrain the link if previous training attempt was unsuccessful. – ♦ Disable Empty Links – In order to save software will disable unpopulated PCI Express Device links, if this option set to 'Disabled Link'. Options available: Enabled/Disabled. Default setting is <b>Disabled</b> .

# 5-2-5-2 PCI Express GEN 2 Settings

Aptio Setup - AMI

Advanced

PCI Express GEN 2 Settings

PCI Express GEN2 Device Register Settings

Completion Timeout	[Default]
ARI Forwarding	[Disabled]
AtomicOp Requester Enable	[Disabled]
AtomicOp Egress Blocking	[Disabled]
ID0 Request Enable	[Disabled]
ID0 Completion Enable	[Disabled]
LTR Mechanism Enable	[Disabled]
End-End TLP Prefix Blocking	[Disabled]

PCI Express GEN2 Link Register Settings

Compliance SOS	[Disabled]
Hardware Autonomous Width	[Disabled]
Hardware Autonomous Speed	[Disabled]

In device Functions that support Completion Timeout programmability, allows system software to modify the Completion Timeout value. 'default' 50us to 50ms. If 'Shorter' is selected, software will use shorter timeout ranges supported by hardware. If 'Longer' is selected,

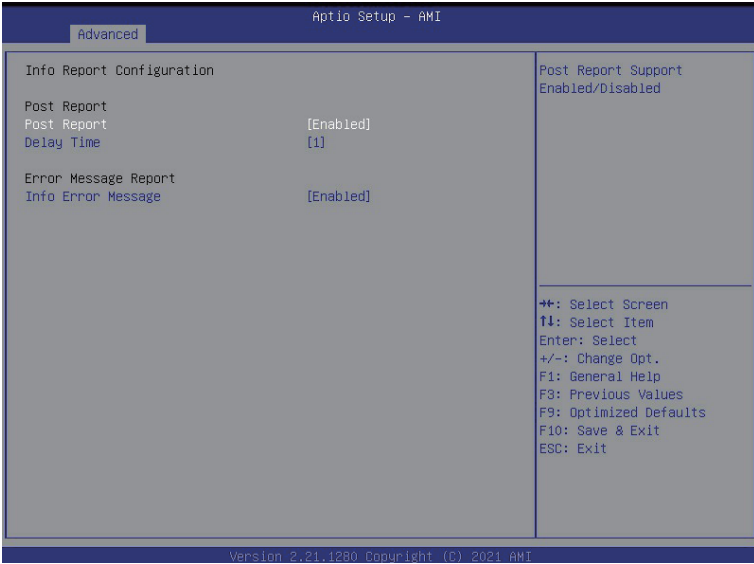
←+: Select Screen  
↑↓: Select Item  
Enter: Select  
+/-: Change Opt.  
F1: General Help  
F8: Previous Values  
F9: Optimized Defaults  
F10: Save & Exit  
ESC: Exit

Version 2.21.1280 Copyright (C) 2021 AMI

Parameter	Description
PCI Express GEN2 Setting	<p data-bbox="438 137 948 161">PCI Express GEN2 Device Register Settings</p> <ul style="list-style-type: none"> <li data-bbox="438 166 948 365">◆ Completion Timeout <ul style="list-style-type: none"> <li data-bbox="476 194 948 365">– In device Functions that support Completion Timeout programmability, allows system software to modify the Completion Timeout value. 'Default' 50us to 50ms. If 'Shorter' is selected, software will use shorter timeout ranges supported by hardware. If 'Longer' is selected, software will use longer timeout ranges.</li> </ul> </li> </ul> <p data-bbox="438 370 948 424">Options available: Default/Shorter/Longer/Disabled. Default setting is <b>Default</b>.</p> <ul style="list-style-type: none"> <li data-bbox="438 459 948 656">◆ ARI Forwarding <ul style="list-style-type: none"> <li data-bbox="476 487 948 656">– If supported by hardware and set to 'Enabled', the Downstream Port disables its traditional Device Number field being 0 enforcement when turning a Type1 Configuration Request into a Type0 Configuration Request, permitting access to Extended Functions in an ARI Device immediately below the Port.</li> </ul> </li> </ul> <p data-bbox="438 661 948 716">Options available: Default/Shorter/Longer/Disabled. Default setting is <b>Default</b>.</p> <ul style="list-style-type: none"> <li data-bbox="438 751 948 863">◆ AtomicOp Requester Enable <ul style="list-style-type: none"> <li data-bbox="476 779 948 863">– If supported by hardware and set to 'Enabled', this function initiates AtomicOp Requests only if Bus Master Enable bit is in the Command Register Set.</li> </ul> </li> </ul> <p data-bbox="438 868 948 892">Options available: Enabled/Disabled. Default setting is <b>Disabled</b>.</p> <ul style="list-style-type: none"> <li data-bbox="438 926 948 1008">◆ AtomicOp Egress Blocking <ul style="list-style-type: none"> <li data-bbox="476 954 948 1008">– If supported by hardware and set to 'Enabled', outbound AtomicOp Requests via Egress Ports will be blocked.</li> </ul> </li> </ul> <p data-bbox="438 1012 948 1036">Options available: Enabled/Disabled. Default setting is <b>Disabled</b>.</p> <ul style="list-style-type: none"> <li data-bbox="438 1070 948 1183">◆ IDO Request Enable <ul style="list-style-type: none"> <li data-bbox="476 1099 948 1183">– If supported by hardware and set to 'Enabled', this permits setting the number of ID-Based Ordering (IDO) bit (Attribute[2]) requests to be initiated..</li> </ul> </li> </ul> <p data-bbox="438 1188 948 1212">Options available: Enabled/Disabled. Default setting is <b>Disabled</b>.</p>

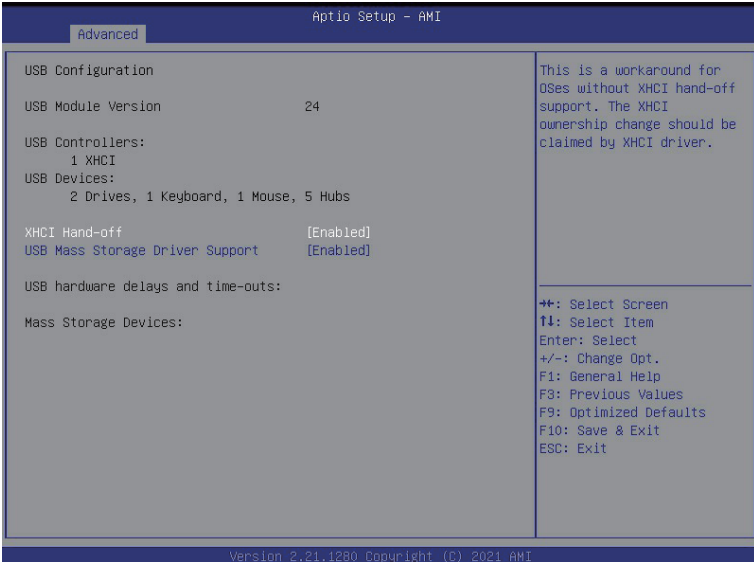
Parameter	Description
PCI Express GEN2 Setting	<p data-bbox="438 150 788 174">PCI Express GEN2 Device Register Settings</p> <ul style="list-style-type: none"> <li data-bbox="438 208 929 318">◆ IDO Request Enable <ul style="list-style-type: none"> <li data-bbox="476 236 929 318">– If supported by hardware and set to 'Enabled', this permits setting the number of ID-Based Ordering (IDO) bit (Attribute[2]) requests to be initiated.</li> </ul> </li> </ul> <p data-bbox="438 326 945 349">Options available: Enabled/Disabled. Default setting is <b>Disabled</b>.</p> <ul style="list-style-type: none"> <li data-bbox="438 357 929 467">◆ IDO Completion Enable <ul style="list-style-type: none"> <li data-bbox="476 385 929 467">– If supported by hardware and set to 'Enabled', this permits setting the number of ID-Based Ordering (IDO) bit (Attribute[2]) requests to be initiated.</li> </ul> </li> </ul> <p data-bbox="438 475 945 498">Options available: Enabled/Disabled. Default setting is <b>Disabled</b>.</p> <ul style="list-style-type: none"> <li data-bbox="438 506 892 616">◆ LTR Mechanism Enable <ul style="list-style-type: none"> <li data-bbox="476 534 892 616">– If supported by hardware and set to 'Enabled', this enables the Latency Tolerance Reporting (LTR) Mechanism.</li> </ul> </li> </ul> <p data-bbox="438 624 945 647">Options available: Enabled/Disabled. Default setting is <b>Disabled</b>.</p> <ul style="list-style-type: none"> <li data-bbox="438 655 919 765">◆ End-End TLP Prefix Blocking <ul style="list-style-type: none"> <li data-bbox="476 683 919 765">– If supported by hardware and set to 'Enabled', this function will block forwarding of TLPs containing End-End TLP Prefixes.</li> </ul> </li> </ul> <p data-bbox="438 773 945 796">Options available: Enabled/Disabled. Default setting is <b>Disabled</b>.</p>
	<p data-bbox="438 821 756 845">PCI Express GEN2 Device Link Settings</p> <ul style="list-style-type: none"> <li data-bbox="438 879 919 1020">◆ Compliance SOS <ul style="list-style-type: none"> <li data-bbox="476 907 919 1020">– If supported by hardware and set to 'Enabled', this will force LTSSM to send SKP Ordered Sets between sequences when sending Compliance Pattern or Modified Compliance Pattern.</li> </ul> </li> </ul> <p data-bbox="438 1028 945 1052">Options available: Enabled/Disabled. Default setting is <b>Disabled</b>.</p> <ul style="list-style-type: none"> <li data-bbox="438 1059 940 1201">◆ Hardware Autonomous Width <ul style="list-style-type: none"> <li data-bbox="476 1088 940 1201">– If supported by hardware and set to 'Disabled', this will disable the hardware's ability to change link width except width size reduction for the purpose of correcting unstable link operation.</li> </ul> </li> </ul> <p data-bbox="438 1208 945 1232">Options available: Enabled/Disabled. Default setting is <b>Disabled</b>.</p> <ul style="list-style-type: none"> <li data-bbox="438 1240 945 1381">◆ Hardware Autonomous Speed <ul style="list-style-type: none"> <li data-bbox="476 1268 945 1381">– If supported by hardware and set to 'Disabled', this will disable the hardware's ability to change link speed except speed rate reduction for the purpose of correcting unstable link operation</li> </ul> </li> </ul> <p data-bbox="438 1389 945 1412">Options available: Enabled/Disabled. Default setting is <b>Disabled</b>.</p>

## 5-2-6 Info Report Configuration



Parameter	Description
Info Report Configuration	
Post Report	
Post Report	Enable/Disable Post Report support. Options available: Enabled/Disabled. Default setting is Enabled.
Delay Time	Options available: 0/1/2/3/4/5/6/7/8/9/10/Util Press ESC. Default setting is 1.
Error Message Report	
Info Error Message	Enable/Disable Info Error Message support. Options available: Enabled/Disabled. Default setting is <b>Enabled</b> .

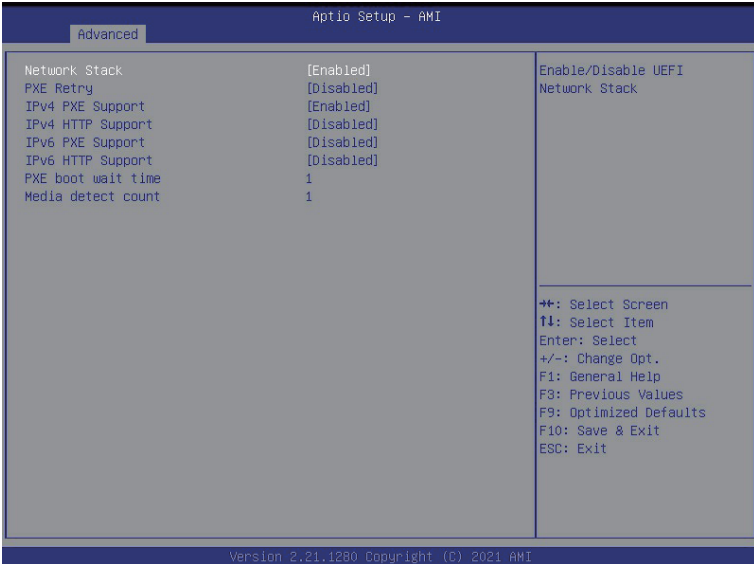
## 5-2-7 USB Configuration



Parameter	Description
USB Configuration	
USB Module Version	Displays USB module version information.
USB Controller	Displays the supported USB controllers.
USB Devices:	Displays the USB devices connected to the system.
XHCI Hand-off	Enable/Disable the XHCI (USB 3.0) Hand-off support. Options available: Enabled/Disabled. Default setting is <b>Enabled</b> .
USB Mass Storage Driver Support <sup>(Note)</sup>	Enable/Disable the USB Mass Storage Driver Support. Options available: Enabled/Disabled. Default setting is <b>Enabled</b> .

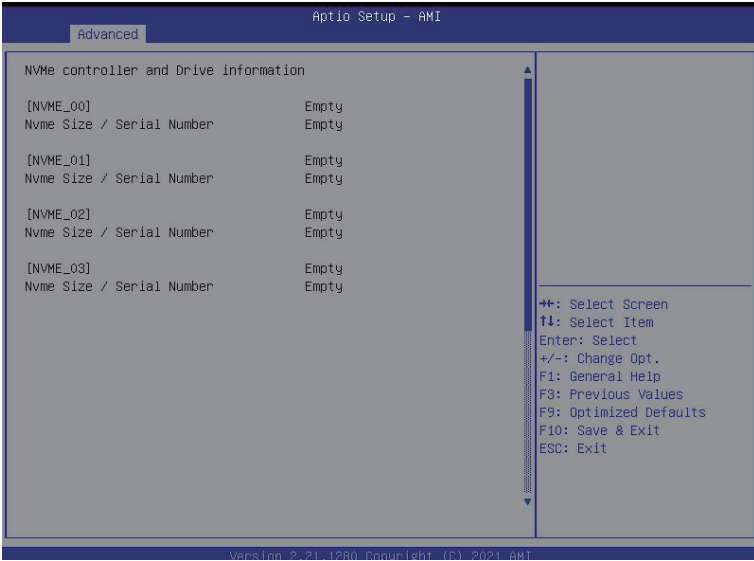
(Note) This item is present only if you attach USB devices.

## 5-2-8 Network Stack



Parameter	Description
Network Stack	Enable/Disable the UEFI network stack. Options available: Enabled/Disabled. Default setting is <b>Enabled</b> .
IPv4 PXE Support	Enable/Disable the IPv4 PXE feature. Options available: Enabled/Disabled. Default setting is <b>Enabled</b> .
IPv4 HTTP Support	Enable/Disable the IPv4 HTTP feature. Options available: Enabled/Disabled. Default setting is <b>Disabled</b> .
IPv6 PXE Support	Enable/Disable the IPv6 PXE feature. Options available: Enabled/Disabled. Default setting is <b>Disabled</b> .
IPv6 HTTP Support	Enable/Disable the IPv6 HTTP feature. Options available: Enabled/Disabled. Default setting is <b>Disabled</b> .
IPSEC Certificate	Enable/Disable the IPSEC Certificate feature.
Media detect count	Press the <+> / <-> keys to increase or decrease the desired values.

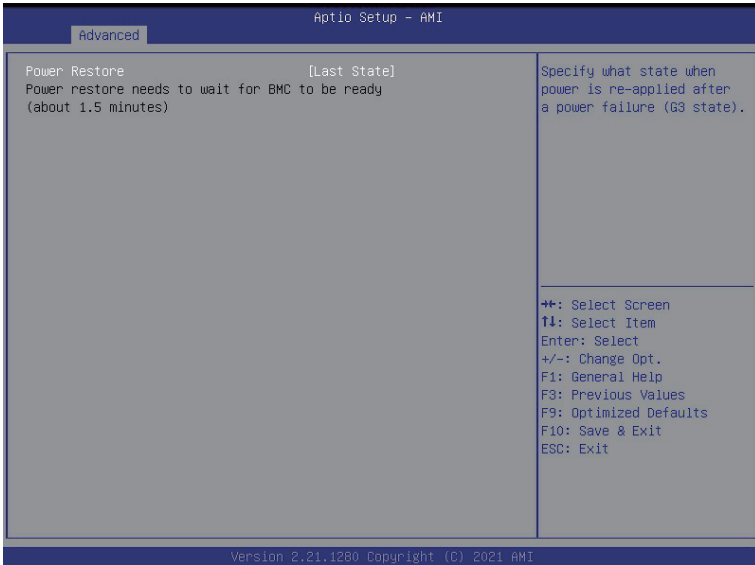
## 5-2-9 NVMe Configuration



Parameter	Description
NVMe controller and Drive Information	Displays the NVMe devices connected to the system.



## 5-2-10 Power Restore Configuration



Parameter	Description
Power Restore	Specify what state when power is re-applied after a power failure (G3 state). Options available: Last State/Power On/Power Off. Default setting is <b>Last State</b> .

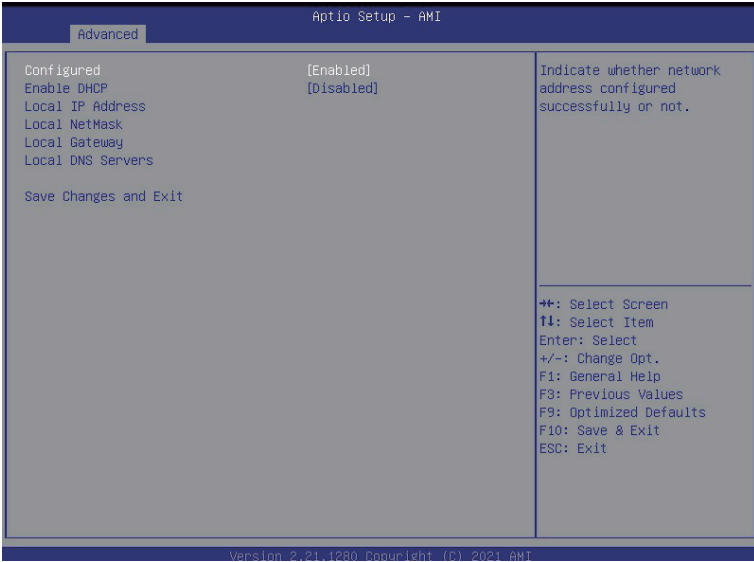
## 5-2-11 Intel(R) I350 Gigabit Network Connection

Aptio Setup - AMI	
Advanced	
<p>▶ NIC Configuration</p> <p>Blink LEDs 0</p> <p>UEFI Driver Intel(R) PRO/1000 Open Source 9.2.06 PCI-E</p> <p>Adapter PBA 106300-000</p> <p>Device Name Intel(R) I350 Gigabit Network Connection</p> <p>Chip Type Intel i350</p> <p>PCI Device ID 1521</p> <p>PCI Address 02:00:00</p> <p>Link Status [Disconnected]</p> <p>MAC Address 18:C0:4D:0F:F6:CC</p> <p>Virtual MAC Address 00:00:00:00:00:00</p>	
<p>Click to configure the network device port.</p>	
<p>↔: Select Screen ↑↓: Select Item Enter: Select +/-: Change Opt. F1: General Help F8: Previous Values F9: Optimized Defaults F10: Save &amp; Exit ESC: Exit</p>	
Version 2.21.1280 Copyright (C) 2021 AMI	

Aptio Setup - AMI	
Advanced	
<p>Link Speed [Auto Negotiated]</p> <p>Wake On LAN [Enabled]</p>	
<p>Specifies the port speed used for the selected boot protocol.</p>	
<p>↔: Select Screen ↑↓: Select Item Enter: Select +/-: Change Opt. F1: General Help F8: Previous Values F9: Optimized Defaults F10: Save &amp; Exit ESC: Exit</p>	
Version 2.21.1280 Copyright (C) 2021 AMI	

Parameter	Description
NIC Configuration	<p>Press [Enter] to configure advanced items.</p> <ul style="list-style-type: none"> <li>◆ Link Speed <ul style="list-style-type: none"> <li>– Allows for automatic link speed adjustment.</li> <li>– Options available: Auto Negotiated/10 Mbps Half/10 Mbps Full/100 Mbps Half/100 Mbps Full. Default setting is <b>Auto Negotiated</b>.</li> </ul> </li> <li>◆ Wake On LAN <ul style="list-style-type: none"> <li>– Enables power on of the system via LAN. Note that configuring Wake on LAN in the operating system does not change the value of this setting, but does override the behavior of Wake on LAN in OS controlled power states.</li> <li>– Options available: Enabled/Disabled. Default setting is <b>Enabled</b>.</li> </ul> </li> </ul>
Blink LEDs	<p>Identifies the physical network port by blinking the associated LED. Press the numeric keys to adjust desired values.</p>
UEFI Driver	Displays the technical specifications for the Network Interface Controller.
Adapter PBA	Displays the technical specifications for the Network Interface Controller.
Device Name	Displays the technical specifications for the Network Interface Controller.
Chip Type	Displays the technical specifications for the Network Interface Controller.
PCI Device ID	Displays the technical specifications for the Network Interface Controller.
PCI Address	Displays the technical specifications for the Network Interface Controller.
Link Status	Displays the technical specifications for the Network Interface Controller.
MAC Address	Displays the technical specifications for the Network Interface Controller.
Virtual MAC Address	Displays the technical specifications for the Network Interface Controller.

## 5-2-12 MAC IPv4 Network Configuration



Parameter	Description
Configured <sup>(Note)</sup>	Options available: Enabled/Disabled. Default setting is <b>Disabled</b> .
Enable DHCP	Options available: Enabled/Disabled. Default setting is <b>Enabled</b> .
Local IP Address	Press [Enter] to configure local IP address.
Local NetMask	Press [Enter] to configure local NetMask.
Local Gateway	Press [Enter] to configure local Gateway
Local DNS Servers	Press [Enter] to configure local DNS servers
Save Changes and Exit	Press [Enter] save all configurations.

(Note) Advance items prompt when this item set to **Enabled**.

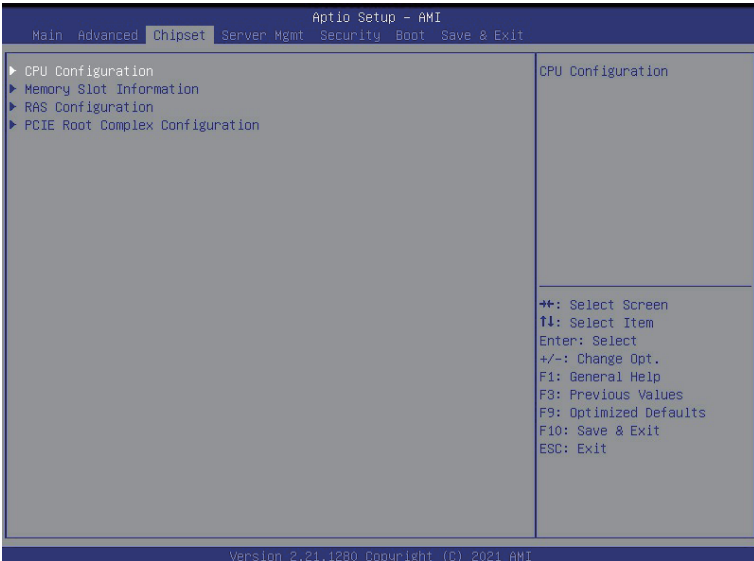
## 5-2-13 MAC IPv6 Network Configuration



Parameter	Description
Enter Configuration Menu	Press [Enter] for configuration of advanced items.

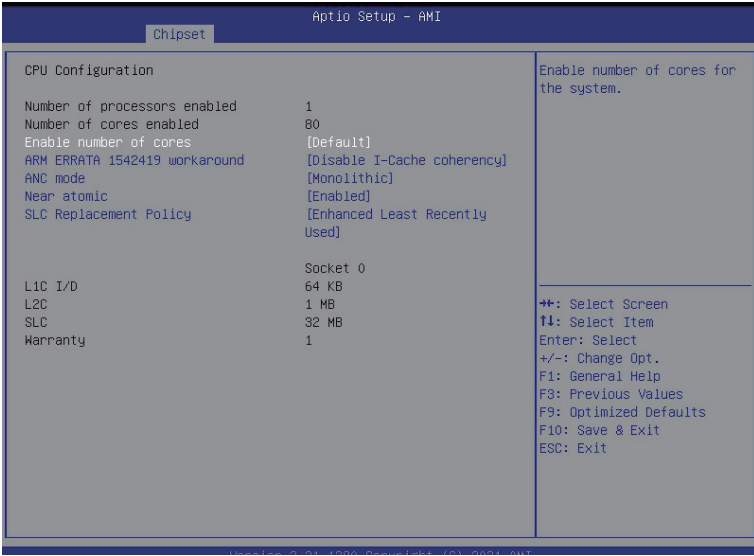
### 5-3 Chipset Setup Menu

Chipset Setup menu displays submenu options for configuring the function of the North Bridge. Select a submenu item, then press [Enter] to access the related submenu screen.



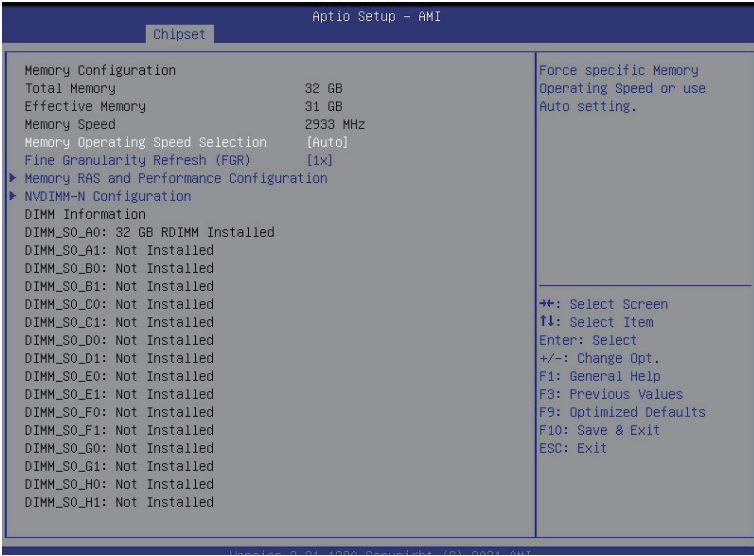
Parameter	Description
CPU Configuration	Press [Enter] for configuration of advanced items.
Memory Slot Configuration	Press [Enter] for configuration of advanced items.
RAS Configuration	Press [Enter] for configuration of advanced items.
PCIE Root Complex Configuration	Press [Enter] for configuration of advanced items.

### 5-3-1 CPU Configuration



Parameter	Description
CPU Configuration	
Numbers of processor enabled	Displays the core number of installed processor information.
Enable number of cores	Option: Default/2/4/6/8/10/12/14/16/18/20/22/24/26/28/30/32/34/36....80. Default Setting is <b>Default</b> .
ARM ERRATA 1542419 workaround	Option available: Disable I-Cache coherency/Software solution/Disable. Default Setting is <b>Disable I-Cache coherency</b> .
ANC mode	Option available: Monolithic/Hemisphere/Quadrant. Default Setting is <b>Monolithic</b> .
Near atomic	Enable/disable cacheable atomic instruction executed near in CPU. Option available: Enabled/Disabled. Default Setting is <b>Enabled</b> .
SLC Replacement Policy	Option available: Enhanced Least Recently Used/Linear-Feedback Shift Register. Default Setting is <b>Enhanced Least Recently Used</b> .
L1C I/D L2C SLC Warranty	Displays the technical specifications for the installed processor.

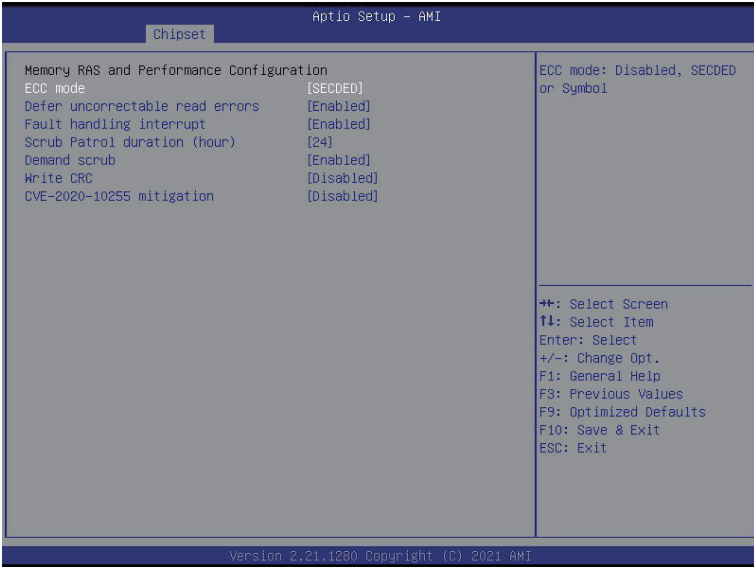
### 5-3-2 Memory Slot Information



Parameter	Description
Memory Configuration	
Total Memory	
Effective Memory	Displays the technical specifications for the installed DIMM.
Memory Speed	
Memory Operating Speed Selection	Option available: Auto/2133/2400/2666/2933/3200. Default setting: <b>Auto</b> .
Fine Granularity Refresh (FGR)	Select DDR Fine Granularity Refresh (FGR) mode. Option available: 1x/2x/4x. Default setting is <b>1x</b> .
Memory RAS and Performance Configuration	Press [Enter] for advanced configuration.
NVDIMM -N Configuration	Press [Enter] for advanced configuration.
DIMM Information	Display installed DIMM information.

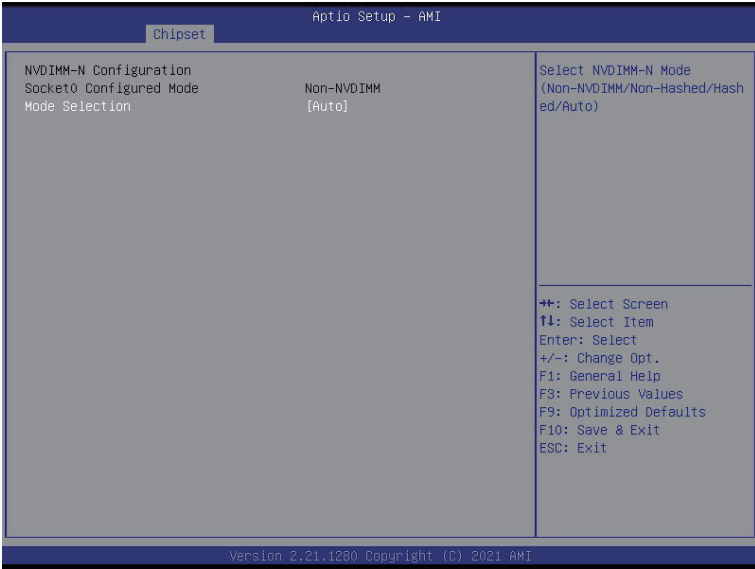


### 5-3-2-1 Memory RAS and Performance Configuration



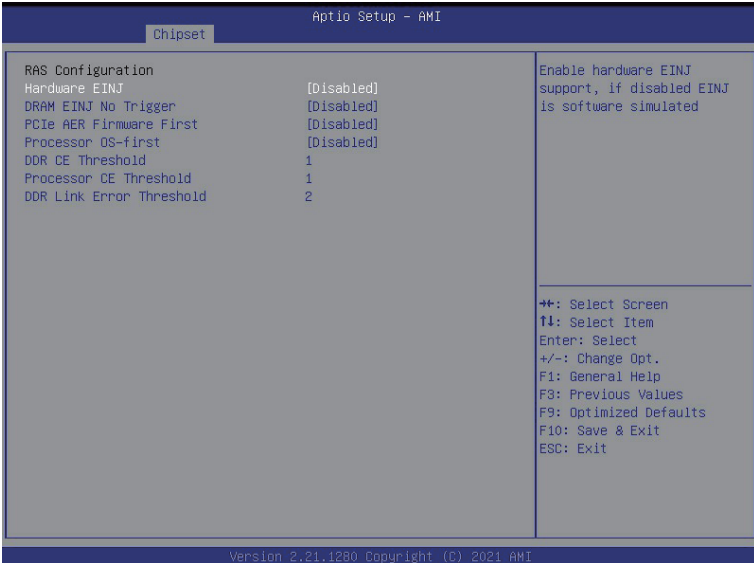
Parameter	Description
Memory RAS and Performance Configuration	
ECC Mode	Option available: Disabled/SECCDED/Symbol Default setting: SECCDED.
Defer uncorrectable read errors	Option available: Enabled/Disabled. Default setting: <b>Disabled</b> .
Fault handling interrupt	Option available: Enabled/Disabled. Default setting: <b>Enabled</b> .
Scrub Patrol duration (hour)	Option available: 1...24. Default setting: <b>24</b> .
Demand scrub	Option available: Enabled/Disabled. Default setting: <b>Enabled</b> .
Write CRC	Option available: Enabled/Disabled. Default setting: <b>Disabled</b> .
CVE=2020-10255 mitigation	Option available: Enabled/Disabled. Default setting: <b>Disabled</b> .

### 5-3-2-2 NVDIMM-N Configuration



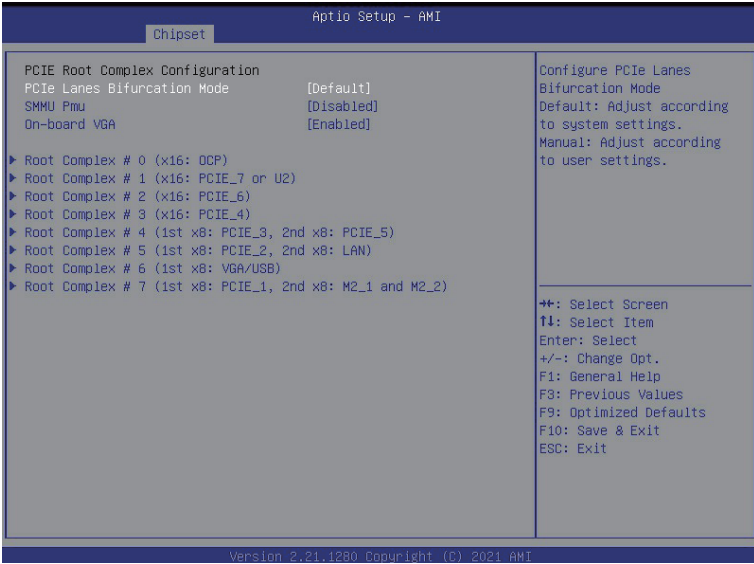
Parameter	Description
NVDIMM-N Configuration	
Socket0 Configuration	
Mode Selection	Select NVDIMM-N Mode. Option available: Non-NVDIMM/Non-Hashed/Hashed/Auto. Default setting: <b>Auto</b> .

### 5-3-3 RAS Configuration



Parameter	Description
RAS Configuration	
Hardware EIJN	Option available: Enabled/Disabled. Default setting: <b>Disabled</b> .
PCIe AER Firmware First	Option available: Enabled/Disabled. Default setting: <b>Disabled</b> .
DDR CE Threshold	Press '+' or '-' to configure the threshold.
Processor CE Threshold	Press '+' or '-' to configure the threshold.
DDR Kink Error Threshold	Press '+' or '-' to configure the threshold.

### 5-3-4 PCIe Root Complex Configuration



Parameter	Description
PCIe Root Complex Configuration	
PCIe Lanes Bifurcation	Option available: Manual/Default. Default setting: <b>Default</b> .
SMMU Pmu	Enable/Disable PMU feature for SMMU. Option available: Enabled/Disabled. Default setting: <b>Disabled</b> .
On-board VGA	Enable/Disable on-board VGA. Option available: Enabled/Disabled. Default setting: <b>Enabled</b> .
Root Complex_# <sup>(Note)</sup>	Press [Enter] to view advanced items.

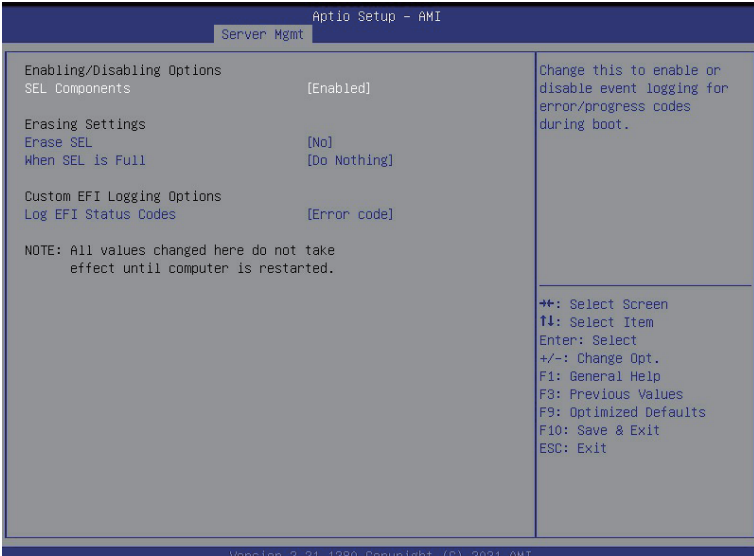
(Note) Advance items can be configurable when PCIe Lanes Bifurcation is set to **Manual**.

## 5-4 Server Management Menu



Parameter	Description
BMC Support	Enable/Disable interfaces to communicate with BMC. Options available: Enabled/Disabled. Default setting is <b>Enabled</b> .
System Event Log	Press [Enter] to configure advanced items.
BMC self test	Press [Enter] to configure advanced items.
View FRU Information	Press [Enter] to view the advanced items.
BMC network configuration	Press [Enter] to configure advanced items.

## 5-4-1 System Event Log



Parameter	Description
Enabling / Disabling Options	
SEL Components	Change this item to enable or disable all features of System Event Logging during boot. Options available: Enabled/Disabled. Default setting is <b>Enabled</b> .
Erasing Settings	
Erasing SEL	Choose options for erasing SEL. Options available: No/Yes, On next reset/Yes, On every reset. Default setting is <b>No</b> .
When SEL is Full	Choose options for reactions to a full SEL. Options available: Do Nothing/Erase Immediately/Delete Oldest Record. Default setting is <b>Do Nothing</b> .
Custom EFI Logging Options	
Log EFI Status Codes	Enable/Disable the logging of EFI Status Codes (if not already converted to legacy). Options available: Disabled/Both/Error code/Progress code. Default setting is <b>Error code</b> .

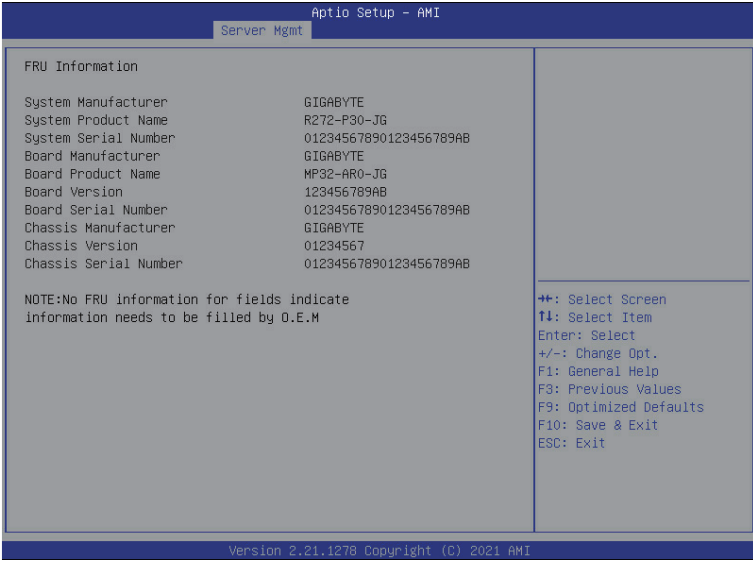
## 5-4-2 BMC self test



Parameter	Description
log area usage =00 out of 20 logs	
Erase Log	Options available: No/Yes, On next reset/Yes, On every reset. Default setting is <b>No</b> .
When Log is full	Configuration for reactions to a full log. Option available: Do not log any more/Clear Log. Default setting is <b>Do not log any more</b> .

### 5-4-3 View FRU Information

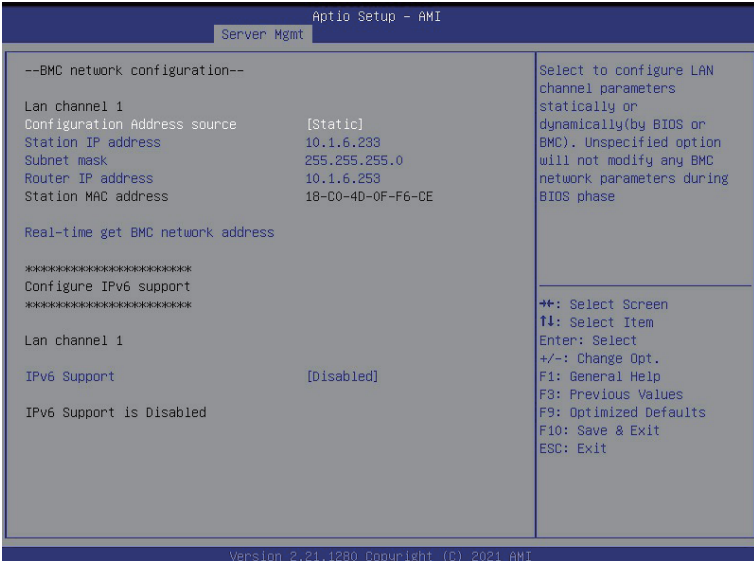
The FRU page is a simple display page for basic system ID information, as well as System product information. Items on this window are non-configurable.



(Note) The model name will vary depends on the product you purchased.



## 5-4-4 BMC Network Configuration

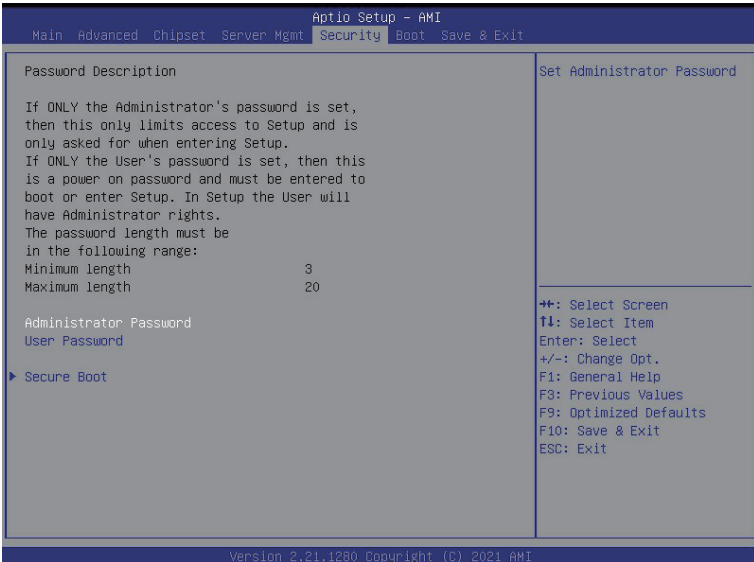


Parameter	Description
BMC network configuration	
Lan Channel 1	
Configuration Address source	Select to configure LAN channel parameters statically or dynamically (DHCP). Do nothing option will not modify any BMC network parameters during BIOS phase. Options available: Unspecified/Static/DynamicBmcDhcp. Default setting is <b>DynamicBmcDhcp</b> .
Station IP address	Displays IP Address information.
Subnet mask	Displays Subnet Mask information. Please note that the IP address must be in three digitals, for example, 255.255.255.0.
Router IP address	Displays the Router IP Address information.
Station MAC address	Displays the MAC Address information.
Real-time get BMC network address	Press [Enter] to synchronize the BMC network address
IPv6 Support <sup>(Note)</sup>	Option available: Enabled/Disabled. Default Setting is <b>Disabled</b> .

(Note) Advance items can be configurable when IPv6 Support is set to **Enabled**.

# 5-5 Security Menu

The Security menu allows you to safeguard and protect the system from unauthorized use by setting up access passwords.



There are two types of passwords that you can set:

- Administrator Password  
Entering this password will allow the user to access and change all settings in the Setup Utility.
- User Password  
Entering this password will restrict a user's access to the Setup menus. To enable or disable this field, a Administrator Password must first be set. A user can only access and modify the System Time, System Date, and Set User Password fields.

Parameter	Description
Administrator Password	Press [Enter] to configure the administrator password.
User Password	Press [Enter] to configure the user password.
Secure Boot	Press [Enter] to configure advanced items.

## 5-5-1 Secure Boot



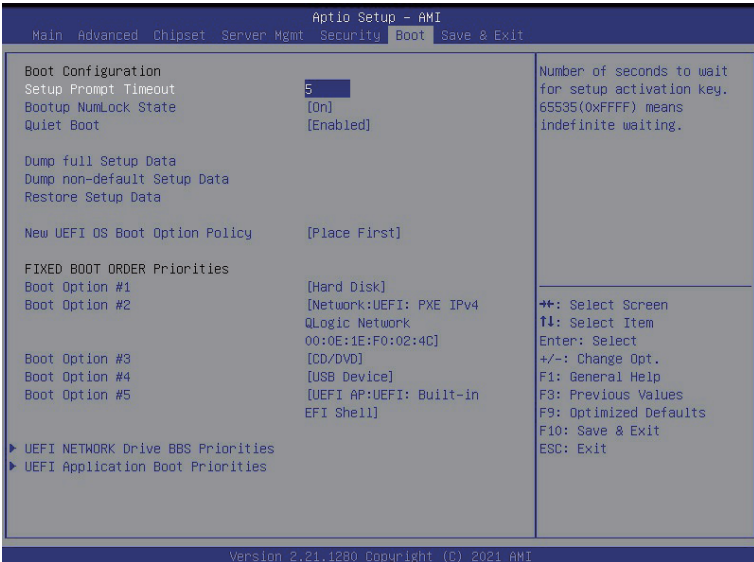
Parameter	Description
System Mode	Displays the system is in User mode or Setup mode.
Secure Boot Mode <sup>(Note)</sup>	<p>Secure Boot requires all the applications that are running during the booting process to be pre-signed with valid digital certificates. This way, the system knows all the files being loaded before Windows loads and gets to the login screen have not been tampered with.</p> <p>When set to Standard, it will automatically load the Secure Boot keys from the BIOS databases.</p> <p>When set to Custom, you can customize the Secure Boot settings and manually load its keys from the BIOS database.</p> <p>Options available: Standard/Custom. Default setting is Custom.</p>

(Note) Advanced items prompt when this item is set to **Custom**.

Parameter	Description
Key Management	<p data-bbox="334 137 668 158">Press [Enter] to configure advanced items.</p> <p data-bbox="334 166 937 216"><b>Please note that this item is configurable when Secure Boot Mode is set to Custom.</b></p> <ul style="list-style-type: none"> <li data-bbox="334 224 944 330">◆ Provision Factory Defaults <ul style="list-style-type: none"> <li data-bbox="370 252 944 302">– Allows to provision factory default Secure Boot keys when system is in Setup Mode.</li> <li data-bbox="370 307 900 330">– Options available: Enabled/Disabled. Default setting is <b>Disabled</b>.</li> </ul> </li> <li data-bbox="334 335 926 413">◆ Install Factory Default Keys <ul style="list-style-type: none"> <li data-bbox="370 363 926 387">– Installs all factory default keys. It will force the system in User Mode.</li> <li data-bbox="370 392 600 413">– Options available: Yes/No.</li> </ul> </li> <li data-bbox="334 418 902 497">◆ Enroll Efi Image <ul style="list-style-type: none"> <li data-bbox="370 446 902 497">– Press [Enter] to enroll SHA256 hash of the binary into Authorized Signature Database (db).</li> </ul> </li> <li data-bbox="334 501 876 551">◆ Save all Secure Boot variables <ul style="list-style-type: none"> <li data-bbox="370 529 876 551">– Press [Enter] to save all Secure Boot Keys and Key variables.</li> </ul> </li> <li data-bbox="334 556 898 606">◆ Secure Boot variable <ul style="list-style-type: none"> <li data-bbox="370 588 898 606">– Displays the current status of the variables used for secure boot.</li> </ul> </li> <li data-bbox="334 611 802 721">◆ Platform Key (PK) <ul style="list-style-type: none"> <li data-bbox="370 639 802 663">– Displays the current status of the Platform Key (PK).</li> <li data-bbox="370 667 678 691">– Press [Enter] to configure a new PK.</li> <li data-bbox="370 696 610 719">– Options available: Set New.</li> </ul> </li> <li data-bbox="334 725 944 860">◆ Key Exchange Keys (KEK) <ul style="list-style-type: none"> <li data-bbox="370 754 944 777">– Displays the current status of the Key Exchange Key Database (KEK).</li> <li data-bbox="370 782 905 829">– Press [Enter] to configure a new KEK or load additional KEK from storage devices.</li> <li data-bbox="370 834 676 857">– Options available: Set New/Append.</li> </ul> </li> <li data-bbox="334 865 948 1000">◆ Authorized Signatures (DB) <ul style="list-style-type: none"> <li data-bbox="370 893 905 917">– Displays the current status of the Authorized Signature Database.</li> <li data-bbox="370 921 948 969">– Press [Enter] to configure a new DB or load additional DB from storage devices.</li> <li data-bbox="370 973 676 997">– Options available: Set New/Append.</li> </ul> </li> <li data-bbox="334 1005 902 1139">◆ Forbidden Signatures (DBX) <ul style="list-style-type: none"> <li data-bbox="370 1033 902 1056">– Displays the current status of the Forbidden Signature Database.</li> <li data-bbox="370 1061 891 1108">– Press [Enter] to configure a new dbx or load additional dbx from storage devices.</li> <li data-bbox="370 1113 676 1136">– Options available: Set New/Append.</li> </ul> </li> <li data-bbox="334 1144 929 1279">◆ Authorized TimeStamps (DBT) <ul style="list-style-type: none"> <li data-bbox="370 1172 929 1196">– Displays the current status of the Authorized TimeStamps Database.</li> <li data-bbox="370 1201 905 1248">– Press [Enter] to configure a new DBT or load additional DBT from storage devices.</li> <li data-bbox="370 1252 676 1276">– Options available: Set New/Append.</li> </ul> </li> <li data-bbox="334 1284 919 1419">◆ OsRecovery Signatures <ul style="list-style-type: none"> <li data-bbox="370 1312 919 1335">– Displays the current status of the OsRecovery Signature Database.</li> <li data-bbox="370 1340 887 1387">– Press [Enter] to configure a new OsRecovery Signature or load additional OsRecovery Signature from storage devices.</li> <li data-bbox="370 1392 676 1415">– Options available: Set New/Append.</li> </ul> </li> </ul>

## 5-6 Boot Menu

The Boot menu allows you to set the drive priority during system boot-up. BIOS setup will display an error message if the legacy drive(s) specified is not bootable.

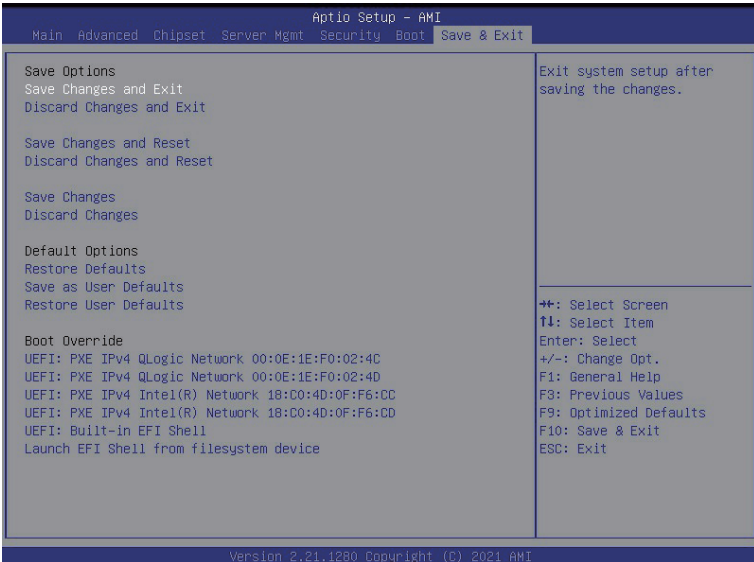


Parameter	Description
Boot Configuration	
Setup Prompt Timeout	Number of seconds to wait for setup activation key. 65535 (0xFFFF) means indefinite waiting. Press the numeric keys to input the desired values.
Bootup NumLock State	Enable/Disable the Bootup NumLock function. Options available: On/Off. Default setting is <b>On</b> .
Quiet Boot	Enable/Disable showing the logo during POST. Options available: Enabled/Disabled. Default setting is <b>Enabled</b> .
Boot mode select	Selects the boot mode. Options available: UEFI. Default setting is <b>UEFI</b> .

Parameter	Description
Dump full Setup Data	
Dump non-default Setup Data	
Restore Setup Date	
New UEFI OS Boot Option Policy	Option available: Default/Place First/Place Last. Default setting is <b>Place First</b> .
FIXED BOOT ORDER	
Priorities	
Boot Option #1 / #2 / #3 / #4 / #5	Press [Enter] to configure the boot priority. By default, the server searches for boot devices in the following sequence: <ol style="list-style-type: none"> <li>1. Hard drive.</li> <li>2. CD-COM/DVD drive.</li> <li>3. USB device.</li> <li>4. Network.</li> <li>5. UEFI.</li> </ol>
UEFI Network Drive BBS Priorities	Press [Enter] to configure the boot priority.
UEFI Application Boot Priorities	Press [Enter] to configure the boot priority.

## 5-7 Save & Exit Menu

The Exit menu displays the various options to quit from the BIOS setup. Highlight any of the exit options then press **Enter**.



Parameter	Description
Save Options	
Save Changes and Exit	Saves changes made and closes the BIOS setup. Options available: Yes/No.
Discard Changes and Exit	Discards changes made and exits the BIOS setup. Options available: Yes/No.
Save Changes	Save changes done so far to any of the setup options. Options available: Yes/No.
Default Options	
Restore Defaults	Loads the default settings for all BIOS setup parameters. Setup Defaults are quite demanding in terms of resources consumption. If you are using low-speed memory chips or other kinds of low-performance components and you choose to load these settings, the system might not function properly. Options available: Yes/No.
Boot Override	Press [Enter] to configure the device as the boot-up drive.

## 5-8 BIOS POST Beep code (AMI standard)

### 5-8-1 PEI Beep Codes

# of Beeps	Description
1	Memory not Installed.
1	Memory was installed twice (InstallPeiMemory routine in PEI Core called twice)
2	Recovery started
3	DXE IPL was not found
3	DXE Core Firmware Volume was not found
4	Recovery failed
4	S3 Resume failed
7	Reset PPI is not available

### 5-8-2 DXE Beep Codes

# of Beeps	Description
1	Invalid password
4	Some of the Architectural Protocols are not available
5	No Console Output Devices are found
5	No Console Input Devices are found
6	Flash update is failed
7	Reset protocol is not available
8	Platform PCI resource requirements cannot be met