



Manual Pull-Down Projection Screen

Elite Manual Series

USER'S GUIDE

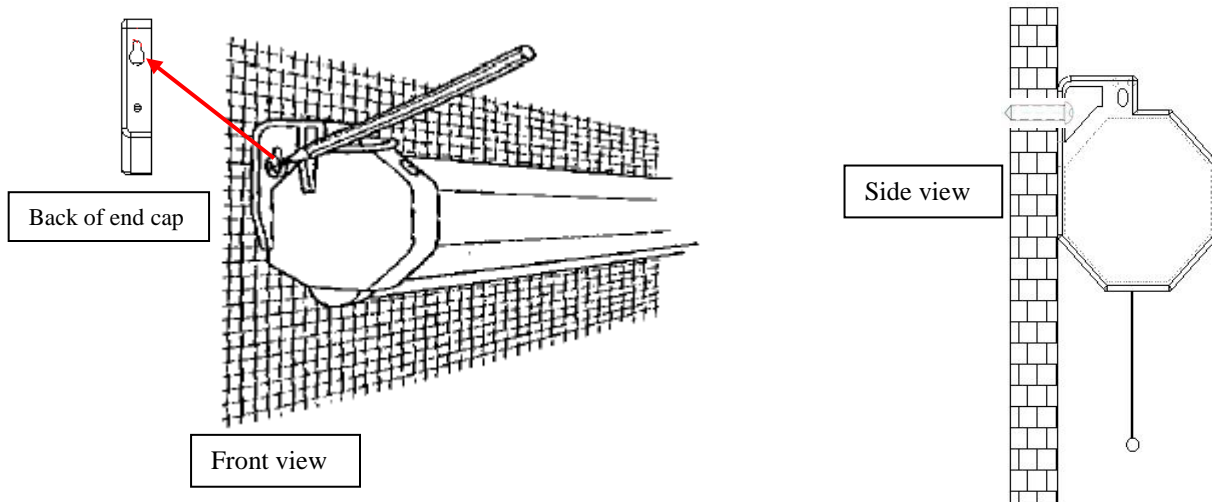
Pre-installation

1. Carefully unpack the screen.
2. Always handle the screen in a leveled position on a clean surface.

INSTALLATION

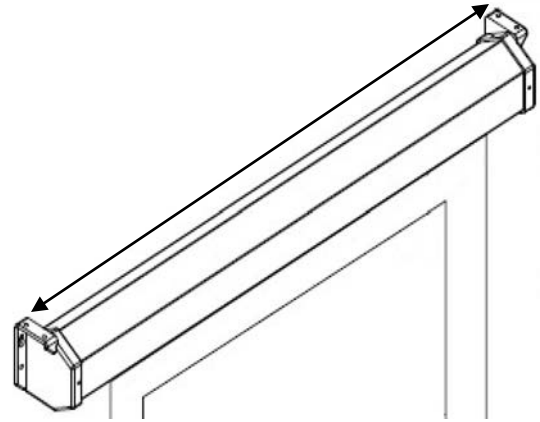
Flush Wall Mounting

1. Measure the distance between the keyholes located on the back of the end cap
2. Mark the location of where the screen is to be installed for the pre-drilled hole.
3. After marking the area and drilling the hole, insert the proper screw into the drilled hole and leave about 1/8" of an inch from the wall to mount the screen.
4. Mount your screen from the keyhole located on back of screen's left and right end cap.



Flush Ceiling Mounting

1. Measure the distance between the top screw holes located on the top of the end caps.
2. Mark the location of where the screen is to be installed for the pre-drilled hole.
3. Drill your hole, use a hollow wall anchor if needed
4. Insert the proper screw into the drilled hole and secure the screen to the ceiling.



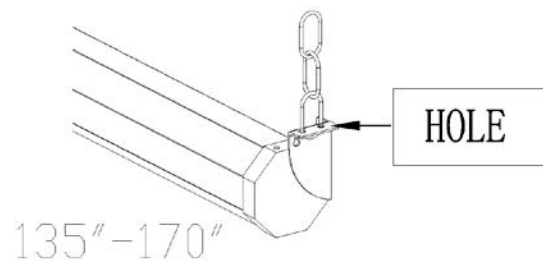
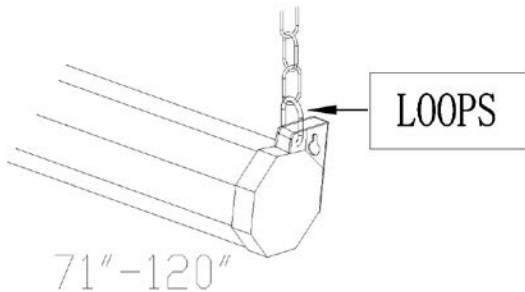
Ceiling Suspended Mounting (additional hardware required)

Optional installation using a chain to hang the screen from the ceiling.

1. You can also hang the screen on a ceiling by using a chain and hang it by the two loops (models 71-120) located on each end of the case or by the end cap's ears (models 135-170).

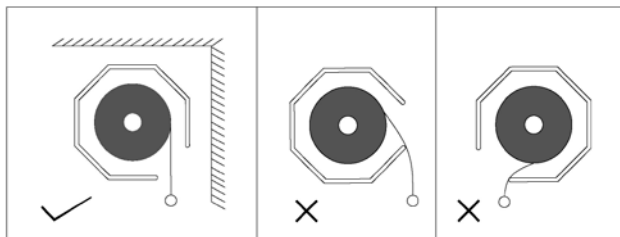


Note: Chain and U bolt/D ring not included.



SCREEN OPERATION

Note: **Always** pull the screen down or let it up in a 90-degree vertical angle. Do not allow the screen to touch the screen case when the screen goes up or comes down to avoid damaging the screen material.

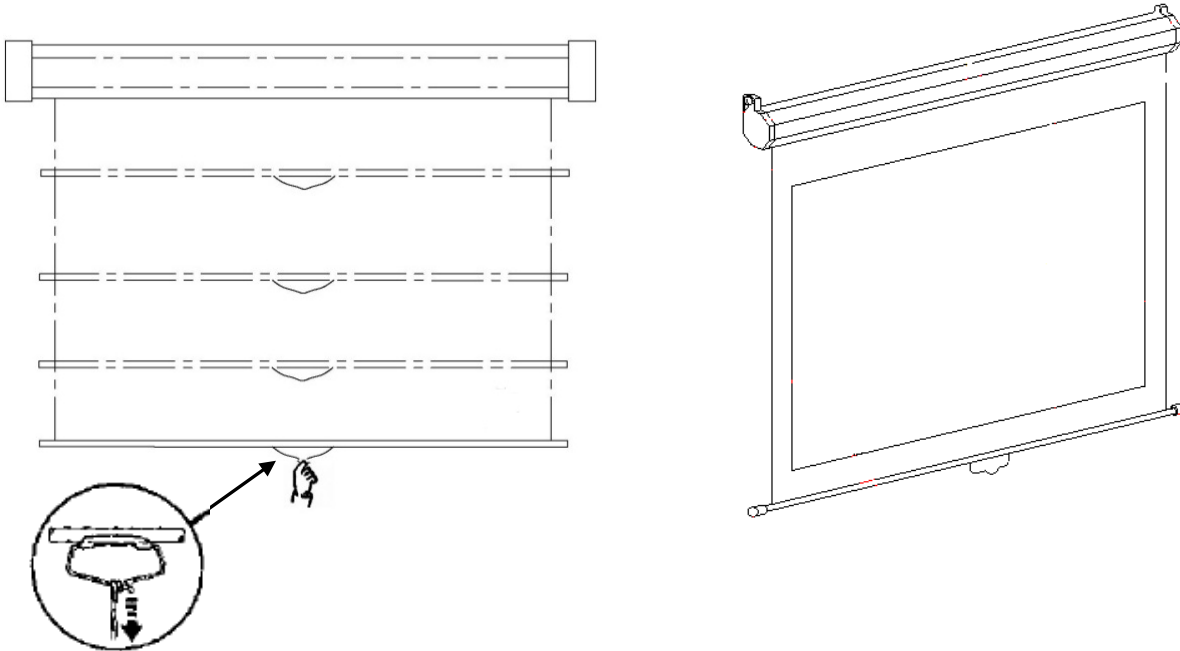


1. Pull the screen down from the lanyard or from the handle only in a 90-degree angle. Do not attempt to pull the screen down by the surface or touch the screen, as it will damage the screen and void the warranty.

Note: An internal auto-lock mechanism system will cause the screen to stop and lock on the position at intervals.

2. If you want the screen to retract back, simply pull the screen down more than 2 inches and retract the screen back by quickly and smoothly releasing it up gently.

Note: Always release at a 90-degree angle and do not let go until the screen is entirely inside the case. If ever the screen feels stuck, keep in mind that the screen's mechanism is new and needs to be run up/down a few times to loosen up. If this happens, carefully with a little force yank the screen straight down to unlock the screen.



Note: Improperly bringing the screen up/down will damage the screen material or rolling system.

RETRACTION TIP: If you are not able to pull the screen down two inches when attempting to retract it, give the screen a quick yank downwards with a little bit of force. Please be sure to not stand directly under the housing of the unit when yanking down on the screen.

MAINTENANCE

Clean matte white screen material with a soft cloth and mild soap with water.
When not in use, retract screen in its housing to keep the screen material surface clean.

NOTE:

Regardless of mounting method, the screen should be securely supported so that vibration or even abusive pulling on the viewing surface will not cause the case to work loose or fall. The installer must insure that the fasteners used are of adequate strength and suitable for the mounting surface chosen.