

GIGABYTE™

G481-H80

G481-H81

Dual LGA3647 sockets motherboard for Intel® Scalable Family Processors

User Manual

Rev. 1.0

Copyright

© 2019 GIGA-BYTE TECHNOLOGY CO., LTD. All rights reserved.

The trademarks mentioned in this manual are legally registered to their respective owners.

Disclaimer

Information in this manual is protected by copyright laws and is the property of GIGABYTE. Changes to the specifications and features in this manual may be made by GIGABYTE without prior notice. No part of this manual may be reproduced, copied, translated, transmitted, or published in any form or by any means without GIGABYTE's prior written permission.

Documentation Classifications

In order to assist in the use of this product, GIGABYTE provides the following types of documentation:

- User Manual: detailed information & steps about the installation, configuration and use of this product (e.g. motherboard, server barebones), covering hardware and BIOS.
- User Guide: detailed information about the installation & use of an add-on hardware or software component (e.g. BMC firmware, rail-kit) compatible with this product.
- Quick Installation Guide: a short guide with visual diagrams that you can reference easily for installation purposes of this product (e.g. motherboard, server barebones).

Please see the support section of the online product page to check the current availability of these documents.

For More Information

For related product specifications, the latest firmware and software, and other information please visit our website at <http://www.gigabyte.com>




For GIGABYTE distributors and resellers, additional sales & marketing materials are available from our reseller portal: <http://reseller.b2b.gigabyte.com>

For further technical assistance, please contact your GIGABYTE representative or visit <https://esupport.gigabyte.com/> to create a new support ticket

For any general sales or marketing enquiries, you may also message GIGABYTE server directly by email: server.grp@gigabyte.com

Conventions

The following conventions are used in this user's guide:

	NOTE! Gives bits and pieces of additional information related to the current topic.
	CAUTION! Gives precautionary measures to avoid possible hardware or software problems.
	WARNING! Alerts you to any damage that might result from doing or not doing specific actions.

Server Warnings and Cautions

Before installing a server, be sure that you understand the following warnings and cautions.



WARNING!

To reduce the risk of electric shock or damage to the equipment:

- Do not disable the power cord grounding plug. The grounding plug is an important safety feature.
- Plug the power cord into a grounded (earthed) electrical outlet that is easily accessible at all times.
- Unplug the power cord from the power supply to disconnect power to the equipment.
- Do not route the power cord where it can be walked on or pinched by items placed against it. Pay particular attention to the plug, electrical outlet, and the point where the cord extends from the server.



WARNING!

To reduce the risk of personal injury from hot surfaces, allow the drives and the internal system components to cool before touching them.



WARNING!

This server is equipped with high speed fans. Keep away from hazardous moving fan blades during servicing.



CAUTION!

- Do not operate the server for long periods with the access panel open or removed. Operating the server in this manner results in improper airflow and improper cooling that can lead to thermal damage.
- Danger of explosion if battery is incorrectly replaced.
- Replace only with the same or equivalent type recommended by the manufacturer.
- Dispose of used batteries according to the manufacturer's instructions.

Electrostatic Discharge (ESD)



CAUTION!

ESD CAN DAMAGE DRIVES, BOARDS, AND OTHER PARTS. WE RECOMMEND THAT YOU PERFORM ALL PROCEDURES AT AN ESD WORKSTATION. IF ONE IS NOT AVAILABLE, PROVIDE SOME ESD PROTECTION BY WEARING AN ANTI-STATIC WRIST STRAP ATTACHED TO CHASSIS GROUND -- ANY UNPAINTED METAL SURFACE -- ON YOUR SERVER WHEN HANDLING PARTS.

Always handle boards carefully. They can be extremely sensitive to ESD. Hold boards only by their edges without any component and pin touching. After removing a board from its protective wrapper or from the system, place the board component side up on a grounded, static free surface. Use a conductive foam pad if available but not the board wrapper. Do not slide board over any surface.

System power on/off: To remove power from system, you must remove the system from rack. Make sure the system is removed from the rack before opening the chassis, adding, or removing any non hot-plug components.

Hazardous conditions, devices and cables: Hazardous electrical conditions may be present on power, telephone, and communication cables. Turn off the system and disconnect the cables attached to the system before servicing it. Otherwise, personal injury or equipment damage can result.

Electrostatic discharge (ESD) and ESD protection: ESD can damage drives, boards, and other parts. We recommend that you perform all procedures in this chapter only at an ESD workstation. If one is not available, provide some ESD protection by wearing an antistatic wrist strap attached to chassis ground (any unpainted metal surface on the server) when handling parts.

ESD and handling boards: Always handle boards carefully. They can be extremely sensitive to electrostatic discharge (ESD). Hold boards only by their edges. After removing a board from its protective wrapper or from the system, place the board component side up on a grounded, static free surface. Use a conductive foam pad if available but not the board wrapper. Do not slide board over any surface.

Installing or removing jumpers: A jumper is a small plastic encased conductor that slips over two jumper pins. Some jumpers have a small tab on top that can be gripped with fingertips or with a pair of fine needle nosed pliers. If the jumpers do not have such a tab, take care when using needle nosed pliers to remove or install a jumper; grip the narrow sides of the jumper with the pliers, never the wide sides. Gripping the wide sides can damage the contacts inside the jumper, causing intermittent problems with the function controlled by that jumper. Take care to grip with, but not squeeze, the pliers or other tool used to remove a jumper, or the pins on the board may bend or break.

**CAUTION!**

Risk of explosion if battery is replaced incorrectly or with an incorrect type. Replace the battery only with the same or equivalent type recommended by the manufacturer. Dispose of used batteries according to the manufacturer's instructions.

Table of Contents

Chapter 1 Hardware Installation	11
1-1 Installation Precautions	11
1-2 Product Specifications	12
1-3 System Block Diagram	15
Chapter 2 System Appearance	17
2-1 Front View	17
2-2 Rear View	18
2-3 Front Panel Buttons and LEDs	19
2-4 Front System LAN LEDs	20
2-5 Rear System LAN LEDs (Optional)	20
2-6 Power Supply Unit (PSU) LED	21
2-7 Hard Disk Drive LEDs	21
2-8 Memory Status LED	22
Chapter 3 System Hardware Installation	23
3-1 Removing the Top Rear Cover	24
3-2 Installing the PCIe Card	25
3-3 Installing the CPU and Heatsink	27
3-4 Installing the Memory	29
3-4-1 Six Channel Memory Configuration	29
3-4-2 Installing a Memory	30
3-4-3 DIMM Population Rule	30
3-4-4 DIMM Population Table	31
3-4-5 Intel Optane DCPMM DIMM Population Rule	32
3-5 Installing the 2.5" Hard Disk Drive	33
3-6 Installing the 3.5" Hard Disk Drive	34
3-7 Replacing the System FAN Module	35
3-8 Removing the Top Front Cover	36
3-9 Replacing the PCIe RAID Card	37
3-10 Replacing the Power Supply	39
3-11 Replacing the LAN Module	40
3-12 Cable Connections	41
3-12-1 Motherboard CPU & System Power to PCIe Board	41
3-12-2 Motherboard Slimline 8i to PCIe Board	41
3-12-3 Motherboard Slimline 4i to PCIe Board	42

3-12-4	MLAN/NCSI Signal	42
3-12-5	Motherboard to 2.5" HDD Backplane Board	43
3-12-6	SATA Connections between HDD Backplane Board and Daughter Board	43
Chapter 4	Motherboard Components	45
4-1	Motherboard Components	45
4-2	Jumper Settings	46
Chapter 5	BIOS Setup	47
5-1	The Main Menu	49
5-2	Advanced Menu	52
5-2-1	iSCSI Configuration	53
5-2-2	Intel(R) Virtual RAID on CPU	54
5-2-3	Intel(R) I350 Gigabit Network Connection	55
5-2-4	VLAN Configuration	57
5-2-5	Intel(R) Omni-Path HFI 100 Series	60
5-2-6	Intel(R) Ethernet Controller X550	62
5-2-7	LSI SAS3 MPT Controller SAS3008	64
5-2-8	Trusted Computing	65
5-2-9	Serial Port Console Redirection	66
5-2-10	SIO Configuration	69
5-2-11	PCI Subsystem Settings	70
5-2-12	Network Stack Configuration	72
5-2-13	Post Report Configuration	73
5-2-14	NVMe Configuration	74
5-2-15	USB Configuration	75
5-2-16	Chipset Configuration	76
5-3	Chipset Setup Menu	77
5-3-1	Processor Configuration	78
5-3-2	Common RefCode Configuration	80
5-3-3	UPI Configuration	81
5-3-4	Memory Configuration	82
5-3-5	IIO Configuration	84
5-3-6	Advanced Power Management Configuration	86
5-3-7	PCH Configuration	89
5-3-8	Miscellaneous Configuration	91
5-3-9	Server ME Configuration	92
5-3-10	Runtime Error Logging	93
5-3-11	Power Policy	95
5-4	Server Management Menu	97
5-4-1	System Event Log	99
5-4-2	View FRU Information	100

5-4-3	BMC VLAN Configuration.....	101
5-4-4	BMC Network Configuration.....	102
5-4-5	IPv6 BMC Network Configuration.....	103
5-5	Security Menu.....	104
5-5-1	Secure Boot.....	105
5-6	Boot Menu.....	107
5-6-1	UEFI NETWORK Drive BBS Priorities.....	109
5-6-2	UEFI Application Boot Priorities.....	110
5-7	Save & Exit Menu.....	111
5-8	BIOS POST Codes.....	113
5-8-1	AMI Standard - PEI.....	113
5-8-2	AMI Standard - DXE.....	113
5-8-3	AMI Standard - ERROR.....	115
5-8-4	Intel UPI POST Codes.....	116
5-8-5	Intel UPI Error Codes.....	116
5-8-6	Intel MRC POST Codes.....	117
5-8-7	Intel MRC Error Codes.....	117
5-8-8	Intel PM POST Codes.....	118
5-8-9	Intel PM POST Codes.....	118
5-9	BIOS POST Beep code (AMI standard).....	119
5-9-1	PEI Beep Codes.....	119
5-9-2	DXE Beep Codes.....	119
5-10	BIOS Recovery Instruction.....	120

This page intentionally left blank









Chapter 1 Hardware Installation







1-1 Installation Precautions





The motherboard/system contain numerous delicate electronic circuits and components which can become damaged as a result of electrostatic discharge (ESD). Prior to installation, carefully read the service guide and follow these procedures:

- Prior to installation, do not remove or break motherboard S/N (Serial Number) sticker or warranty sticker provided by your dealer. These stickers are required for warranty validation.
- Always remove the AC power by unplugging the power cord from the power outlet before installing or removing the motherboard or other hardware components.
- When connecting hardware components to the internal connectors on the motherboard, make sure they are connected tightly and securely.
- When handling the motherboard, avoid touching any metal leads or connectors.
- It is best to wear an electrostatic discharge (ESD) wrist strap when handling electronic components such as a motherboard, CPU or memory. If you do not have an ESD wrist strap, keep your hands dry and first touch a metal object to eliminate static electricity.
- Prior to installing the motherboard, please have it on top of an antistatic pad or within an electrostatic shielding container.
- Before unplugging the power supply cable from the motherboard, make sure the power supply has been turned off.
- Before turning on the power, make sure the power supply voltage has been set according to the local voltage standard.
- Before using the product, please verify that all cables and power connectors of your hardware components are connected.
- To prevent damage to the motherboard, do not allow screws to come in contact with the motherboard circuit or its components.
- Make sure there are no leftover screws or metal components placed on the motherboard or within the computer casing.
- Do not place the computer system on an uneven surface.
- Do not place the computer system in a high-temperature environment.
- Turning on the computer power during the installation process can lead to damage to system components as well as physical harm to the user.
- If you are uncertain about any installation steps or have a problem related to the use of the product, please consult a certified computer technician.

1-2 Product Specifications

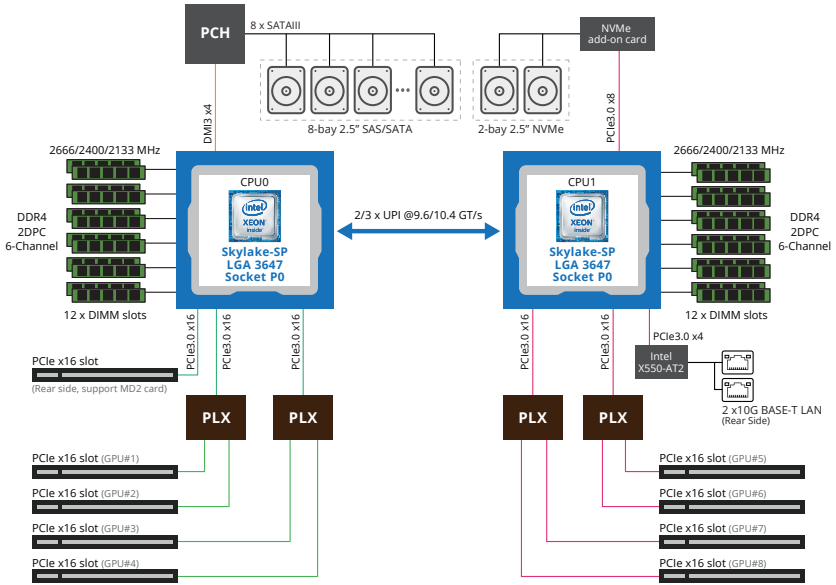
 CPU	<ul style="list-style-type: none"> ◆ 2nd Generation Intel® Xeon® Scalable and Intel® Xeon® Scalable Processors ◆ Intel® Xeon® Platinum Processor, Intel® Xeon® Gold Processor, Intel® Xeon® Silver Processor and Intel® Xeon® Bronze Processor <p>NOTE: If only 1 CPU is installed, some PCIe or memory functions might be unavailable.</p>
 Socket	<ul style="list-style-type: none"> ◆ 2 x LGA 3647 ◆ Socket P0 ◆ Mounting pitch: Narrow ILM
 Chipset	<ul style="list-style-type: none"> ◆ Intel® C621 Express Chipset
 Memory	<ul style="list-style-type: none"> ◆ 24 x DIMM slots ◆ DDR4 memory supported only ◆ 6-channel memory architecture ◆ RDIMM modules up to 32GB supported ◆ LRDIMM modules up to 64GB supported ◆ Support Intel® Optane™ DC Persistent Memory ◆ 1.2V modules: 2933 (1DPC)/2666/2400/2133 MHz <p>NOTE:</p> <ol style="list-style-type: none"> 1. 2933MHz for 2nd Generation Intel® Xeon® Scalable Processors only 2. Intel® Optane™ DC Persistent Memory for 2nd Generation Intel® Xeon® Scalable Processors only
 LAN	<ul style="list-style-type: none"> ◆ 2 x 10Gb/s BASE-T LAN ports (Intel® X550-AT2) ◆ 2 x 1Gb/s BASE-T LAN ports (Intel® I350-AM2) ◆ 1 x 10/100/1000 management LAN
 Expansion Slot	<ul style="list-style-type: none"> ◆ 8 x PCIe x16 slots (Gen3 x16 bus) for GPUs ◆ 1 x PCIe x16 (Gen3 x8 bus) Half-length low-profile slot in front ◆ 1 x PCIe x16 (Gen3 x16 bus) Half-length low-profile slot at rear <ul style="list-style-type: none"> ◆ System is validated for population with a uniform GPU model ◆ Support is not provided for mixed GPU populations ◆ For the latest GPU cards QVL, please contact your GIGABYTE representative
 Video	<ul style="list-style-type: none"> ◆ Integrated in Aspeed® AST2500 ◆ 2D Video Graphic Adapter with PCIe bus interface ◆ 1920x1200@60Hz 32bpp, DDR4 SDRAM
 Storage (G481-H80)	<ul style="list-style-type: none"> ◆ 10 x 2.5" hot-swappable HDD/SSD bays ◆ - 2 x amber HDD trays compatible with NVMe or SATA devices ◆ - 8 x blue HDD trays compatible with SATA/SAS devices only ◆ Pre-install with NVMe add-on card, CNV3024
 (G481-H81)	<ul style="list-style-type: none"> ◆ 12 x 3.5" hot-swappable HDD/SSD bays ◆ Default configuration supports: <ul style="list-style-type: none"> ◆ 8 x SAS/SATA drives from PCH only ◆ SAS card is required to enable remaining 4 x drive bays

	SAS	<ul style="list-style-type: none"> ◆ Supported via add-on SAS Card
	Internal Connectors	<ul style="list-style-type: none"> ◆ 3 x 24-pin power connector (CPU + system power rail) ◆ 2 x 14-pin power connector (HDD BPB power rail) ◆ 1 x 18-pin power connector (fan power rail) ◆ 10 x 8-pin power connector (GPGPU power rail) ◆ 1 x 8-pin power connector (front board power rail) ◆ 11 x slim 8i connector (PCIe signal) ◆ 1 x slim 8i connector (front board signal) ◆ 2 x slim 4i connector (PCH SATA signal) ◆ 1 x slim 4i connector (MLAN + NCSI signal) ◆ 1 x slim 4i connector (system sideband signal) ◆ 1 x TPM header ◆ 1 x HDD back plane board header ◆ 1 x IPMB connector ◆ 1 x RAID key connector ◆ 1 x Clear CMOS jumper
	Front Panel LED/Buttons	<ul style="list-style-type: none"> ◆ 1 x NMI button ◆ 2 x USB3.0 connector ◆ 1 x MLAN connector with LED (optional for MLAN at rear side of the system) ◆ 2 x RJ45 LAN connector with LED ◆ 1 x VGA connector ◆ 1 x Power button with LED ◆ 1 x ID button with LED ◆ 1 x HDD activity LED ◆ 1 x Reset button ◆ 1 x System status LED
	Rear Panel I/O	<ul style="list-style-type: none"> ◆ 2 x RJ45 LAN connector with LED ◆ 1 x MLAN connector with LED
	Backplane I/O (G481-H80)	<ul style="list-style-type: none"> ◆ 10 x 2.5" ports ◆ Supports SATA 6Gb/s and PCIe Gen3 x4
	(G481-H81)	<ul style="list-style-type: none"> ◆ 12 x 3.5" ports ◆ Supports SATA 6Gb/s and SAS 12Gb/s
	TPM	<ul style="list-style-type: none"> ◆ 1 x TPM header

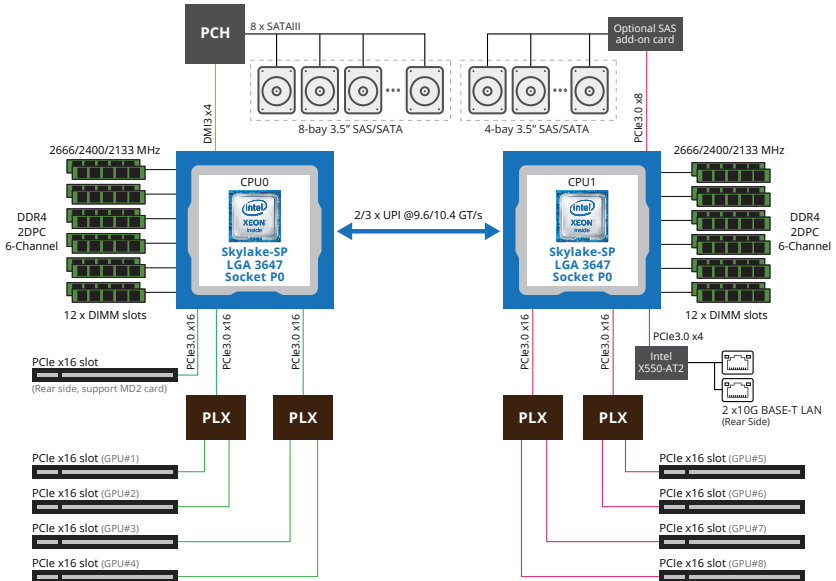
	System Management	<ul style="list-style-type: none"> ◆ Aspeed® AST2500 management controller ◆ Avocent® MergePoint IPMI 2.0 web interface: ◆ Network settings ◆ Network security settings ◆ Hardware information ◆ Users control ◆ Services settings ◆ IPMI settings ◆ Sessions control ◆ LDAP settings ◆ Power control ◆ Fan profiles ◆ Voltages, fans and temperatures monitoring ◆ System event log ◆ Events management (platform events, trap settings, email settings) ◆ Serial Over LAN ◆ vKVM & vMedia (HTML5)
	Power Supply	<ul style="list-style-type: none"> ◆ 3 x 2200W redundant PSU ◆ 80 PLUS Platinum ◆ AC Input: <ul style="list-style-type: none"> - 2200W: 200-240V/ 12.6A, 50-60Hz ◆ DC Output: <ul style="list-style-type: none"> - 2200W@12V/ 178.1A, 12VSB/ 3.5A
	Ambient Temperature	<ul style="list-style-type: none"> ◆ Operating temperature: 10°C to 35°C ◆ Non-operating temperature: -40°C to 60°C
	Relative Humidity	<ul style="list-style-type: none"> ◆ Operating humidity: 8 - 80% (non-condensing) ◆ Non-operating humidity: 20% - 95% (non-condensing)
	System Dimension	<ul style="list-style-type: none"> ◆ 4U ◆ 447 (W) x 175.2 (H) x 822.15 (D) (mm) ◆ 17.60 (W) x 6.90 (H) x 32.37 (D) (inch)
<p>* We reserve the right to make any changes to the product specifications and product-related information without prior notice.</p>		

1-3 System Block Diagram

G481-H80



G481-H81

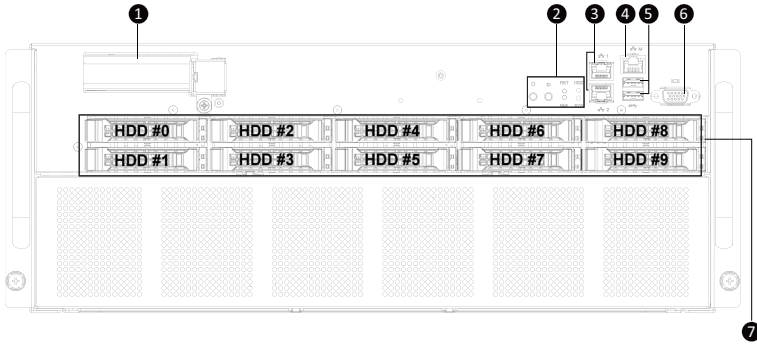


This page intentionally left blank

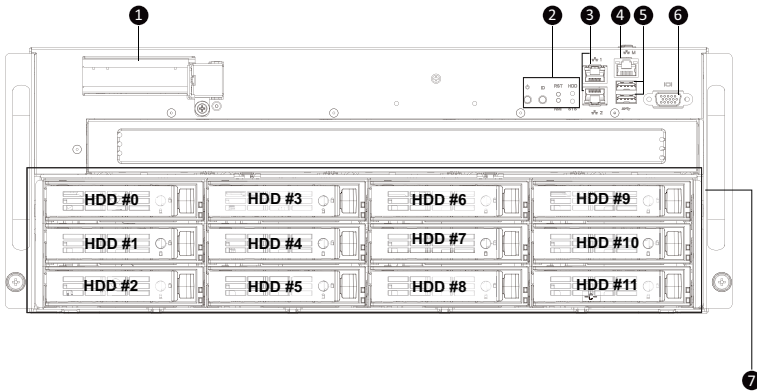
Chapter 2 System Appearance

2-1 Front View

G481-H80



G481-H80

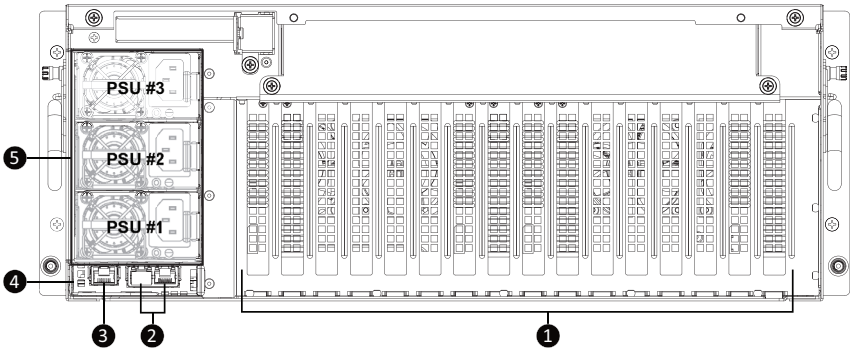


No.	Description	No.	Description
1.	PCIe Card Slot	5.	USB 3.0 Port x 2
2.	Front Panel LEDs and Buttons	6.	VGA Port
3.	1 GbE LAN Port x 2	7.	2.5-inch HDD Bay x 10 (#0 to #9) *SATA supported only: #0 to #5 *Both SATA and NVMe supported: #6 to #7 *NVMe supported only: #8 to #9
4.	10/100/1000 Server Management LAN Port		



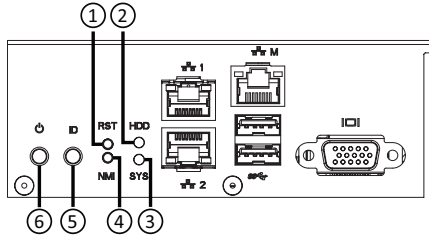
- Go to the section **2-3 Front Panel Buttons and LEDs** for detail description of function LEDs.

2-2 Rear View



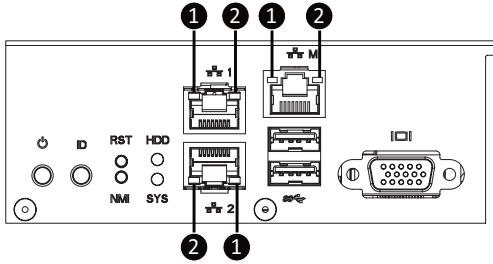
No.	Description	No.	Description
1.	PCIe x16 Slot x 8	4.	LAN Module
2.	10GbE LAN Port x 2 (optional)	5.	Power Supply Unit x 3 (PSU #1 to #3)
3.	10/100/1000 Server Management LAN Port	--	--

2-3 Front Panel Buttons and LEDs



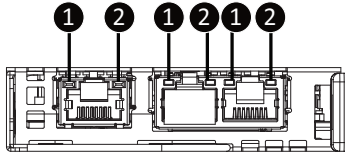
No.	Name	Color	Status	Description
1.	Reset Button	--	--	Press this button to reset the system.
2.	HDD Status LED	Green	On	Indicates locating the HDD.
			Blink	Indicates accessing the HDD.
		Amber	On	Indicates HDD error.
		Green / Amber	Blink	Indicates HDD rebuilding.
3.	System Status LED	N/A	Off	Indicates no HDD access or no HDD error.
		Green	Solid On	Indicates system is operating normally.
			Solid On	Indicates a critical condition, may include: - System fan failure - System temperature
		Amber	Blink	Indicates non-critical condition, may include: - Redundant power module failure - Temperature and voltage issue - Chassis intrusion
		N/A	Off	Indicates system is not ready, may include: - POST error - NMI error - Processor or terminator is missing
4.	NMI Button	--	--	Press this button for the server to generate a NMI to the processor. If multiple-bit ECC errors occur, the server will effectively be handled.
5.	ID Button with LED	--	--	Press this button to activate system identification.
6.	Power Button with LED	Green	On	Indicates the system is powered on.
		Green	Blink	System is in ACPI S1 state (sleep mode).
		N/A	Off	Indicates system is not powered on or in ACPI S5 state (power off) or system is in ACPI S4 state (hibernation mode).

2-4 Front System LAN LEDs



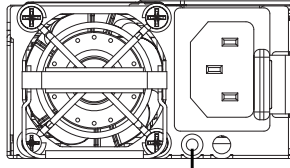
No.	Name	Color	Status	Description
1.	GbE Speed LED	Yellow	On	1 Gbps data rate
		Green	On	100 Mbps data rate
		N/A	Off	10 Mbps data rate
2.	GbE Link / Activity LED	Green	On	Link between system and network or no access
			Blink	Data transmission or reception is occurring.
		N/A	Off	No data transmission or reception is occurring.

2-5 Rear System LAN LEDs (Optional)



No.	Name	Color	Status	Description
1.	GbE Speed LED	Yellow	On	1 Gbps data rate
		Green	On	100 Mbps data rate
		N/A	Off	10 Mbps data rate
2.	GbE Link / Activity LED	Green	On	Link between system and network or no access
			Blink	Data transmission or reception is occurring.
		N/A	Off	No data transmission or reception is occurring.

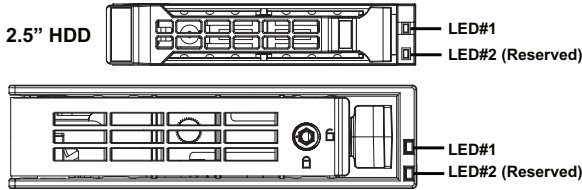
2-6 Power Supply Unit (PSU) LED



PSU LED

Color	Status	Description
Off	--	No AC power to all power supplies
Green	On	+12V output ON and OK
Green	Blinking 0.5Hz	AC present / Only +12VSB on (PS off) or PSU in Smart Standby Mode
Green	Blinking 2Hz	Power supply firmware update
Amber	On	AC cord unplugged / AC power lost but a second power supply in parallel still having AC input power Power supply critical events that cause a shutdown, such as: OTP, OCP, UVP, OVP and fan failure
Amber	Blinking 0.5Hz	Power supply warning events where the power supply continues to operate, such as: high temperature, high power, high current, slot fan

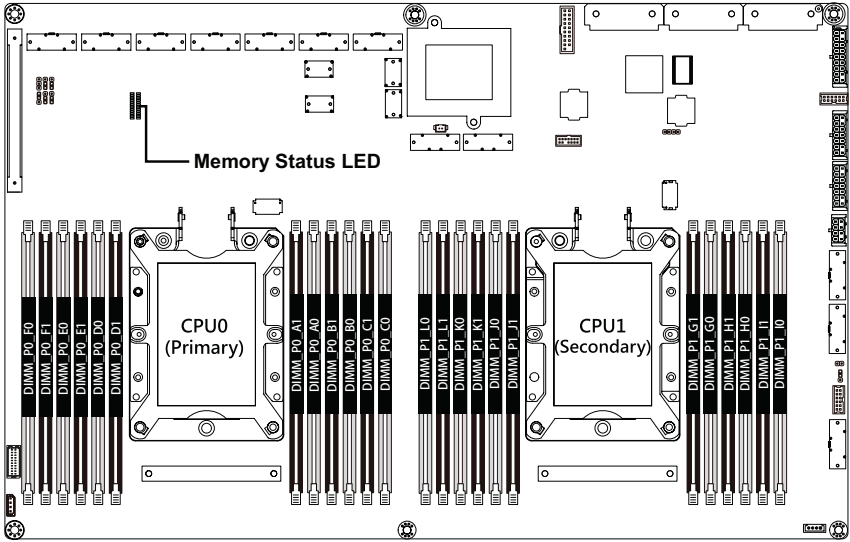
2-7 Hard Disk Drive LEDs



RAID SKU	LED1	Locate	HDD Fault	Rebuilding	HDD Access	HDD Present (No Access)
No RAID configuration (via HBA, ICH)	Disk LED (LED on Back Panel)	Green	ON(*1)	OFF	Green	OFF
		Amber	OFF	OFF	Amber	OFF
	Removed HDD Slot (LED on Back Panel)	Green	ON(*1)	OFF	Green	--
		Amber	OFF	OFF	Amber	--
RAID configuration (via HW RAID Card or SW RAID Card)	Disk LED	Green	ON	OFF	Alternately	OFF
		Amber	OFF	ON	(Low Speed: 2 Hz)	OFF
	Removed HDD Slot	Green	ON(*1)	OFF	(*3)	--
		Amber	OFF	ON	(*3)	--

LED 2	HDD Present	No HDD
Green	ON	OFF

2-8 Memory Status LED



Color	Status	Description
Off	--	The memory module is operating normally.
Red	On	Error DIMM missing

Chapter 3 System Hardware Installation



Pre-installation Instructions

System components and electronic circuit boards can be damaged by discharges of static electricity. Working on systems that are still connected to a power supply can be extremely dangerous. Follow the simple guidelines below to avoid damage to your system or injury to yourself.

- Always disconnect the system from the power outlet whenever you are working inside the system case.
- If possible, wear a grounded wrist strap when you are working inside the system case. Alternatively, discharge any static electricity by touching the bare metal system of the system case, or the bare metal body of any other grounded appliance.
- Hold electronic circuit boards by the edges only. Do not touch the components on the board unless it is necessary to do so. Do not flex or stress the circuit board.
- Leave all components inside the static-proof packaging until you are ready to use the component for the installation.

3-1 Removing the Top Rear Cover

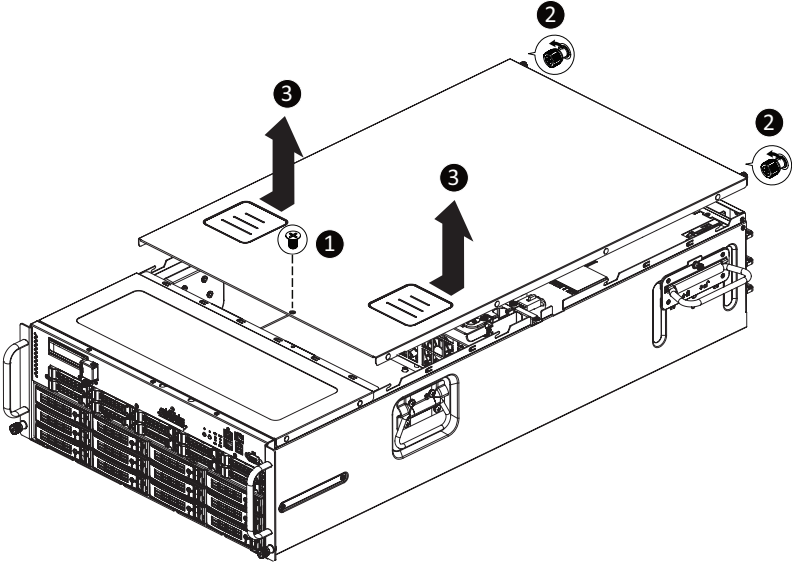


Before you remove the top rear cover:

- Make sure the system is not turned on or connected to AC power.

Follow these instructions to remove the top rear cover:

1. Remove the single screw securing the cover.
2. Loosen the two thumbnail screws securing the top rear cover in place.
3. Slide the cover towards the rear and remove the cover in the direction indicated.



3-2 Installing the PCIe Card

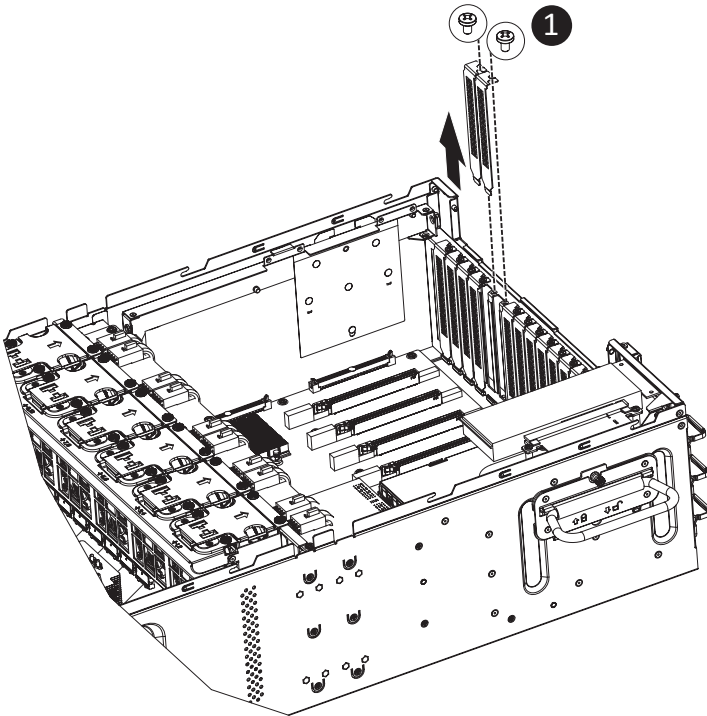


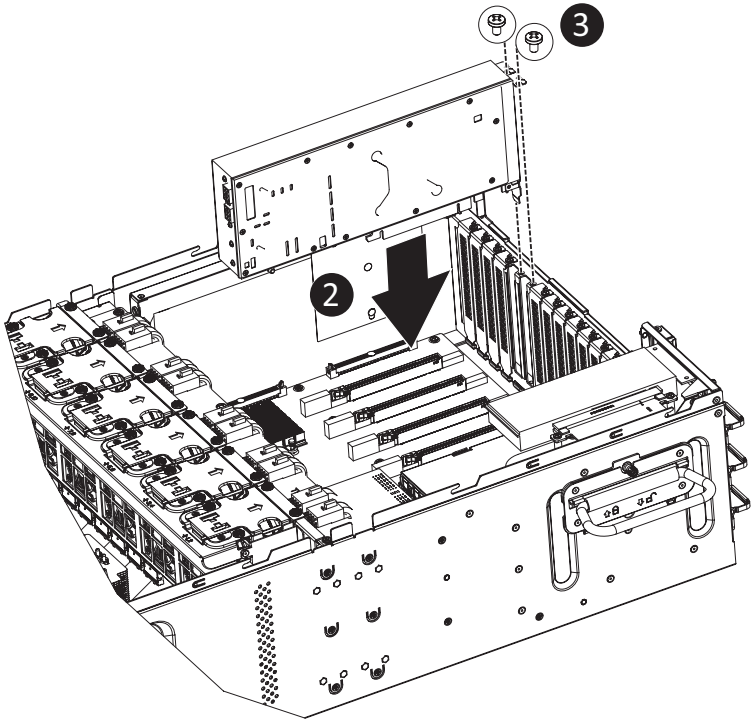
Read the following guidelines before you begin to install the PCIe Card:

- Voltages can be present within the server whenever an AC power source is connected. This voltage is present even when the main power switch is in the off position. Ensure that the system is powered down and all power sources have been disconnected from the server prior to installing a PCIe card. Make sure the system is not turned on or connected to AC power.
- Failure to observe these warnings could result in personal injury or damage to the equipment.

Follow these instructions to install the PCIe card:

1. Remove the two screws securing the PCIe card slot covers in place and remove the PCIe card slot covers.
2. Insert the PCIe card into the selected slot. Make sure the PCIe card is properly seated.
3. Install the two screws to secure the PCIe card in place.





3-3 Installing the CPU and Heatsink



Read the following guidelines before you begin to install the CPU:

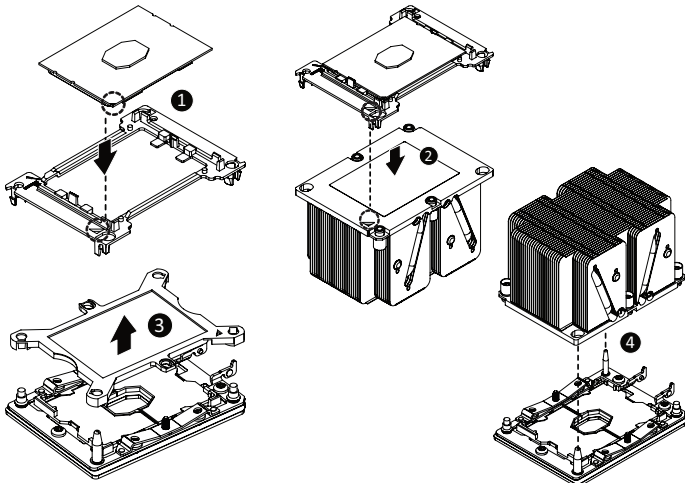
- Make sure that the motherboard supports the CPU.
- Always turn off the system and unplug the power cord from the power outlet before installing the CPU to prevent hardware damage.
- Unplug all cables from the power outlets.
- Disconnect all telecommunication cables from their ports.
- Place the system unit on a flat and stable surface.
- Open the system according to the instructions.

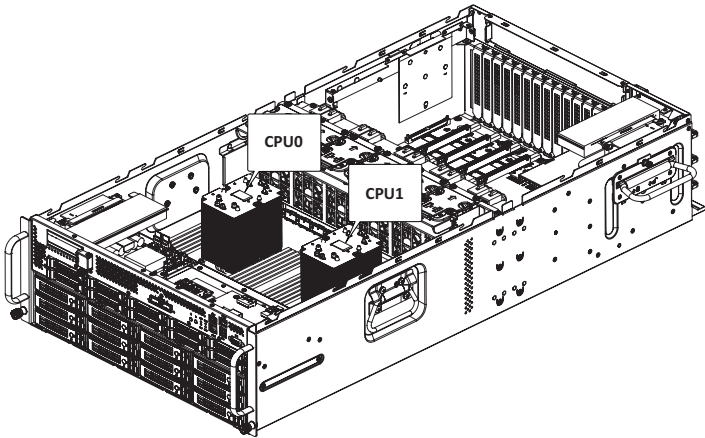
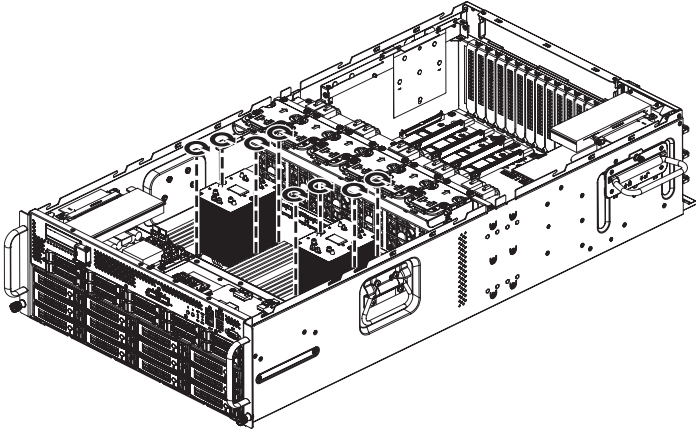
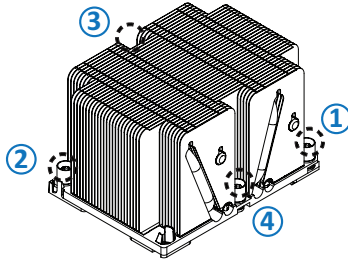
WARNING!

Failure to properly turn off the server before you start installing components may cause serious damage. Do not attempt the procedures described in the following sections unless you are a qualified service technician.

Follow these instructions to install the CPU:

1. Align the processor to the carrier so that the gold triangle on the processor aligns with the triangle on the carrier, and then install the processor into the carrier.
NOTE: Apply thermal compound evenly on the top of the CPU.
2. Carefully flip the heatsink over. Align the carrier assembly so that the triangle on the carrier aligns with the triangle on the heatsink, and then install the carrier assembly onto the bottom of the heatsink.
3. Remove the CPU socket cover.
NOTE: Save and replace the CPU socket cover if the processor is removed from its socket.
4. Align the heatsink to the CPU socket using the guide pins and make sure the gold triangle is in the correct orientation. Then place the heatsink onto the top of the CPU socket.
5. Secure the heatsink by tightening the screws in sequential order (1→2→3→4).
NOTE: When removing the heatsink, loosen the screws in reverse order (4→3→2→1).





3-4 Installing the Memory

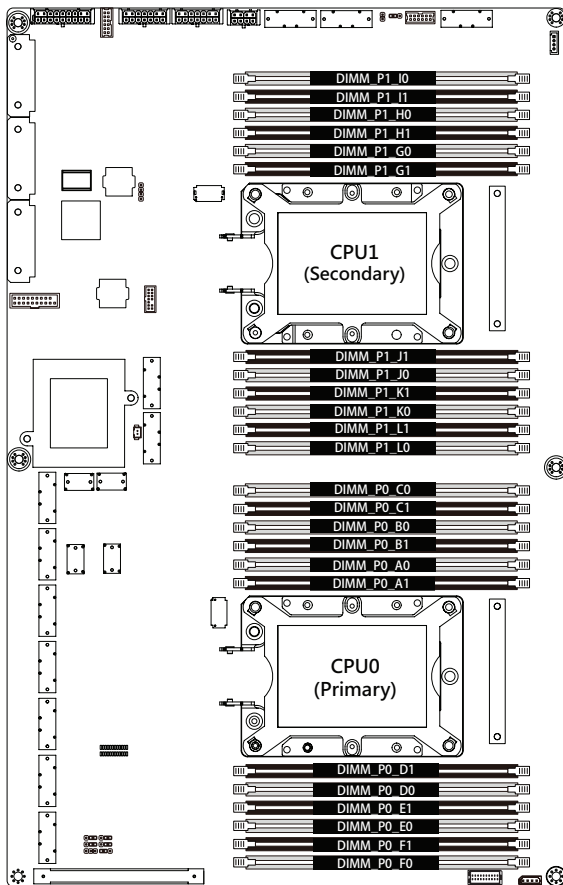


Read the following guidelines before you begin to install the memory:

- Make sure that the motherboard supports the memory. It is recommended that memory of the same capacity, brand, speed, and chips be used.
- Always turn off the system and unplug the power cord from the power outlet before installing the memory to prevent hardware damage.
- Memory modules have a foolproof design. A memory module can be installed in only one direction. If you are unable to insert the memory, switch the direction.

3-4-1 Six Channel Memory Configuration

This motherboard provides 24 DDR4 memory sockets and supports Six Channel Technology. After the memory is installed, the BIOS will automatically detect the specifications and capacity of the memory. Enabling Four Channel memory mode will be four times of the original memory bandwidth.



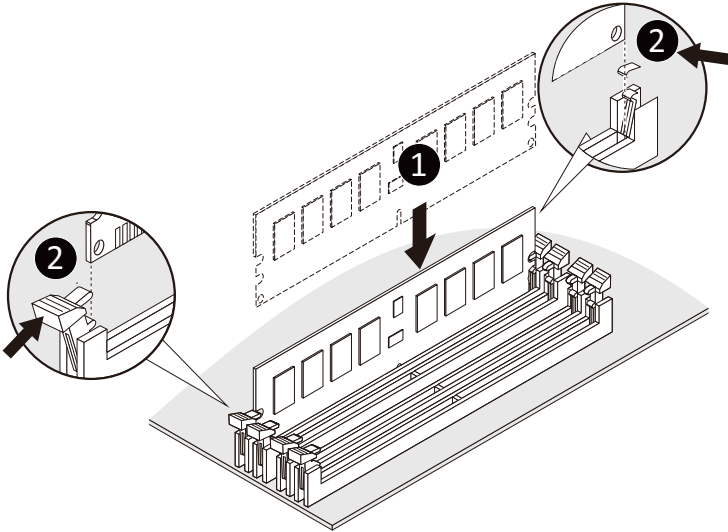
3-4-2 Installing a Memory



- Before installing a memory module, make sure to turn off the system and unplug the power cord from the power outlet to prevent damage to the memory module.
- Be sure to install DDR4 DIMMs on this motherboard.

Follow these instructions to install the Memory:

1. Insert the DIMM memory module vertically into the DIMM slot, and push it down.
2. Close the plastic clip at both edges of the DIMM slots to lock the DIMM module.
3. Reverse the installation steps when you want to remove the DIMM module.



3-4-3 DIMM Population Rule

Be sure to install DDR4 DIMMs on this motherboard.

- The initial DIMMs installed must be installed in the primary CPU (CPU0) memory slots first.
- When populating DIMMs into a channel, slot numbers having the suffix "0" must be populated first, then followed by slot numbers having the suffix "1".
- A combination of LRDIMMs and RDIMMs is not allowed in the same channel.
- A combination of non-3DS and 3DS LRDIMMs is not allowed in the same channel.

3-4-4 DIMM Population Table

Type	Ranks Per DIMM and Data Width	DIMM Capacity (GB)		Speed (MT/s); Voltage (V) Slot Per Channel (SPC) DIMM Per Channel (DPC)		
				1 Slot per Channel	2 Slot per Channel	
		DIMM Density		1DPC	1DPC	2DPC
		4Gb	8Gb	1.2V	1.2V	1.2V
RDIMM	SRx4	8GB	16GB	2666	2666	2666
RDIMM	SRx8	4GB	8GB			
RDIMM	DRx8	8GB	16GB			
RDIMM	DRx4	16GB	32GB			
RDIMM	QRx4	N/A	2H-64GB			
3DS	8Rx4	N/A	4H-128GB			
LRDIMM	QRx4	32GB	64GB			
LRDIMM	QRx4	N/A	2H 64GB			
3DS	8Rx4	N/A	4H 128GB			

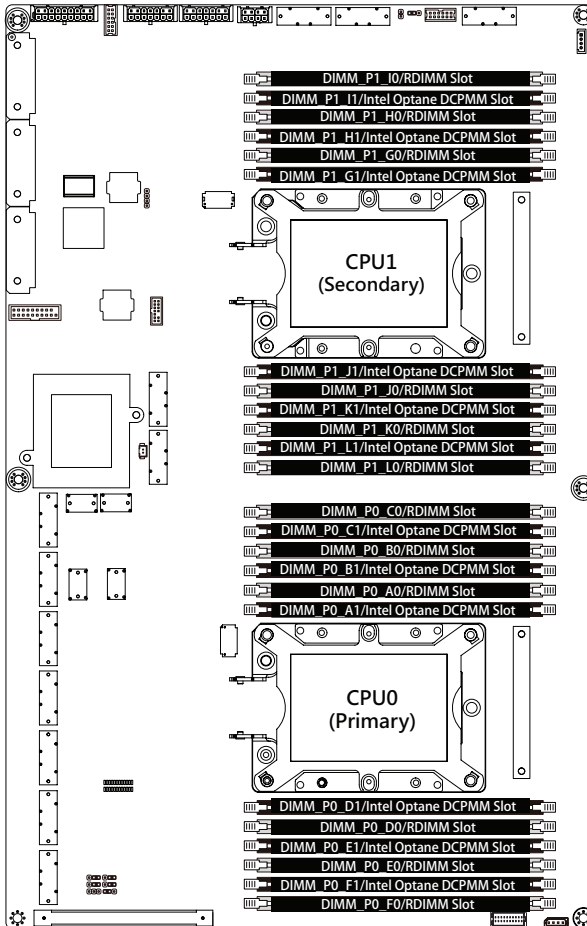
3-4-5 Intel Optane DCPMM DIMM Population Rule

Thermal conditions for DCPMM DIMM support:

- The ambient temperature must be at or below 35°C
- The Cascade Lake CPU used must have a maximum TDP of 205W
- A maximum of 12 pcs 256G DCPMM may be installed



- RDIMM / DCPMM must be installed into CPU0 memory first
- You must install one RDIMM into any slot #0 of CPU0 before installing the DCPMM. (e.g. A0/B0/C0/D0/E0/F0)
- The DCPMM must be installed into the DIMM slot #1 next to the corresponding RDIMM in slot #0 (e.g. if RDIMM is installed into DIMM slot A0, the DCPMM must be installed into DIMM slot A1)



3-5 Installing the 2.5" Hard Disk Drive



Read the following guidelines before you begin to install the hard disk drive:

- Take note of the drive tray orientation before sliding it out.
- The tray will not fit back into the bay if inserted incorrectly.
- Make sure that the HDD is connected to the HDD connector on the frontplane.

Follow these instructions to install a 2.5" hard disk drive:

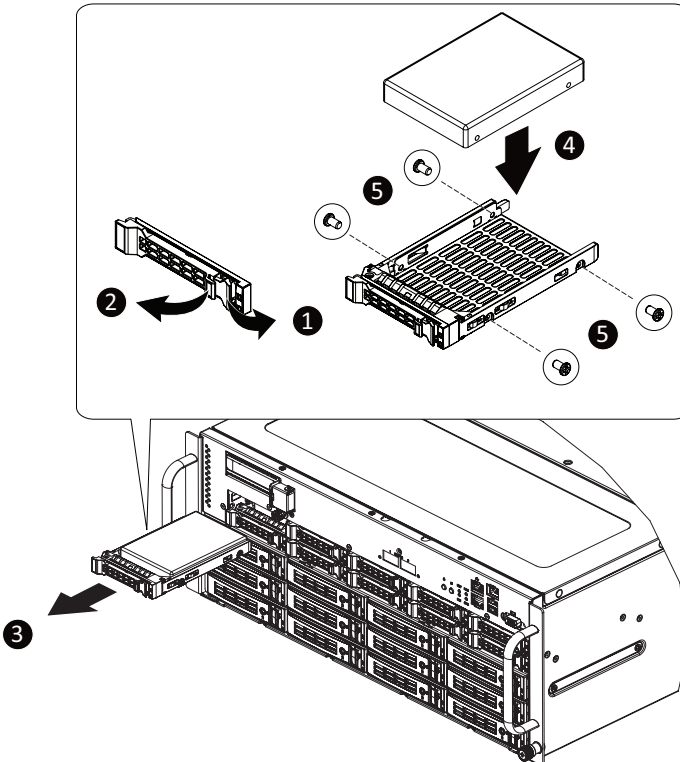
1. Press the release button.
2. Extend the locking lever.
3. Pull the locking lever to remove the HDD tray.
4. Slide the hard disk drive into the blank HDD tray.
5. Secure the hard drive to the tray with the four screws as shown. Do not over tighten the screws. Slide the hard drive tray into the bay until it locks in place.



CAUTION!

We strongly recommend using enterprise level hard disk drives in the Gigabyte server system. For more information of recommended HDDs, please visit the Gigabyte website:

<https://www.gigabyte.com> and search for the specific product QVL from **Support & Downloads**.



3-6 Installing the 3.5" Hard Disk Drive



Read the following guidelines before you begin to install the hard disk drive:

- Take note of the drive tray orientation before sliding it out.
- The tray will not fit back into the bay if inserted incorrectly.
- Make sure that the HDD is connected to the HDD connector on the frontplane.

Follow these instructions to install a 3.5" hard disk drive:

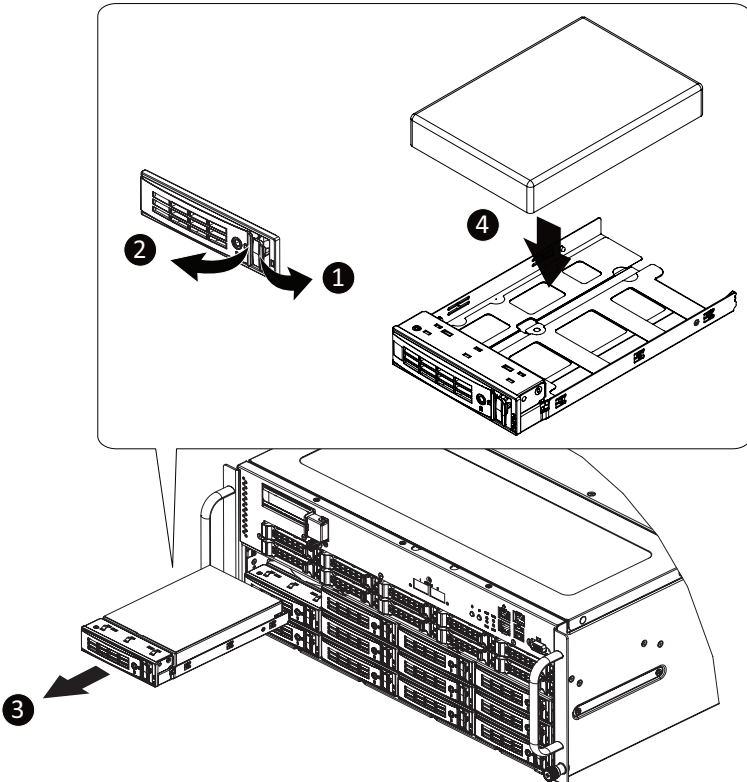
1. Press the release button.
2. Extend the locking lever.
3. Pull the locking lever to remove the HDD tray.
4. Slide the hard disk drive into the blank HDD tray.
5. Slide the hard drive tray into the bay until it locks in place.



CAUTION!

We strongly recommend using enterprise level hard disk drives in the Gigabyte server system. For more information of recommended HDDs, please visit the Gigabyte website:

<https://www.gigabyte.com> and search for the specific product QVL from **Support & Downloads**.



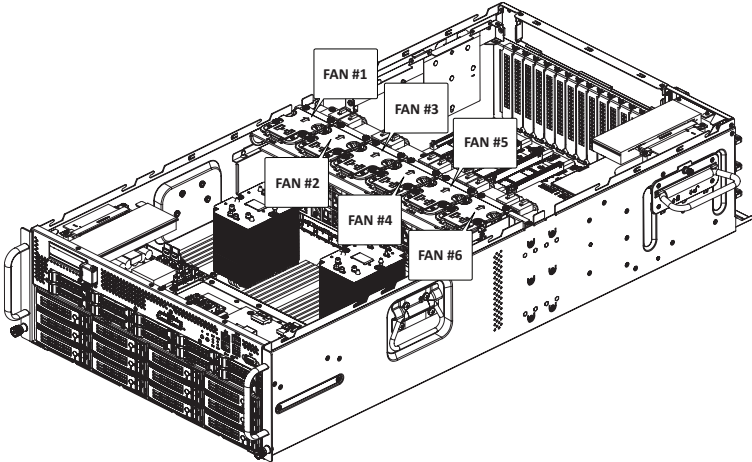
3-7 Replacing the System FAN Module



CAUTION!

Before you remove or install the system fans follow these steps:

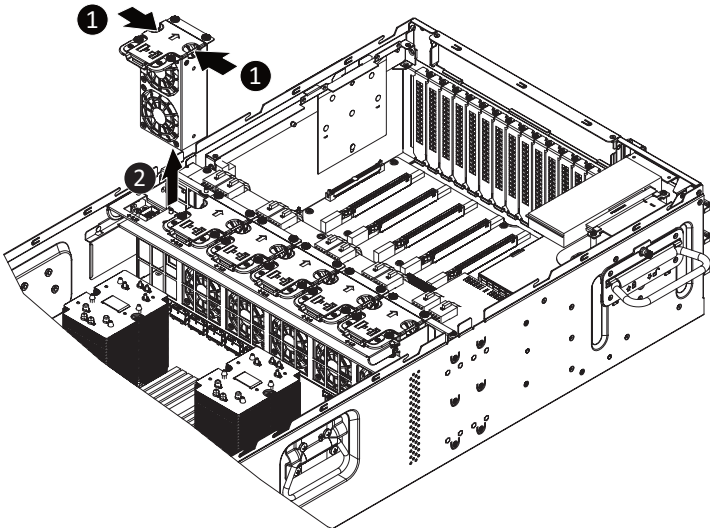
- Make sure the system is not turned on or connected to the AC power..
- Disconnect all necessary cable connections. Failure to observe these warnings could result in personal injury or damage to the equipment.



Follow these instructions to replace the system fan module:

[For all system fan modules]

1. Grasp the finger slots of the fan module and pull up to remove the fan module.
2. Reverse the previous steps to install the replacement fan module.



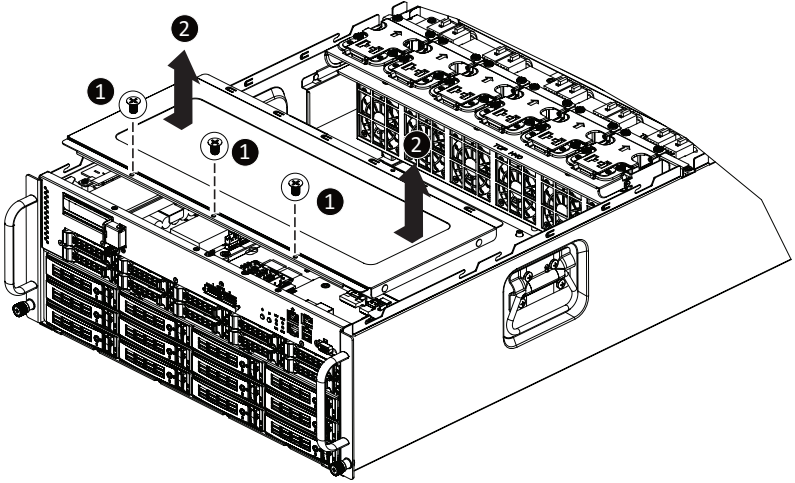
3-8 Removing the Top Front Cover



Skip this section if you are not going to replace the PCIe RAID card.

Follow these instructions to remove the top front cover:

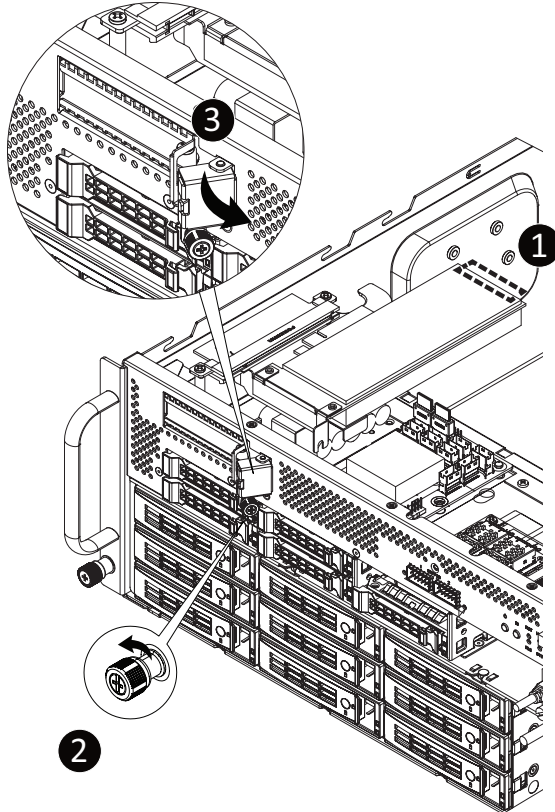
1. Remove the three screws securing the cover.
2. Slide the cover towards the rear and remove the cover in the direction indicated.

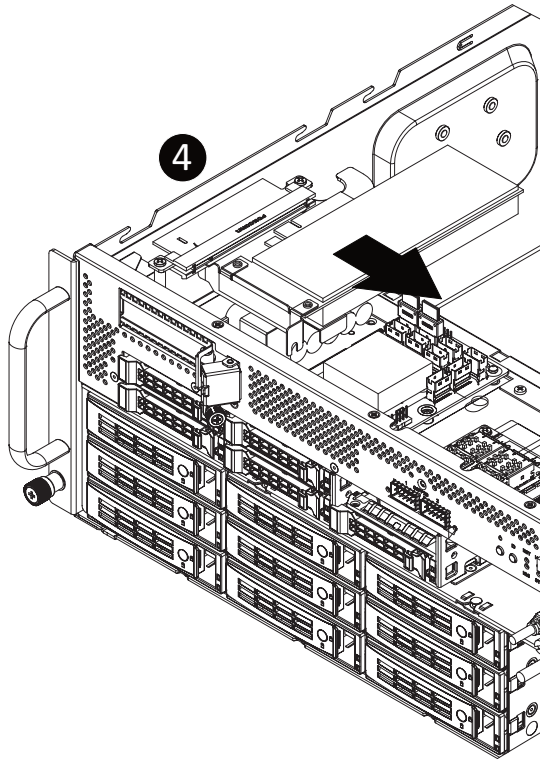


3-9 Replacing the PCIe RAID Card

Follow these instructions to replace the PCIe RAID card:

1. Disconnect any cables that connect to the PCIe RAID card.
2. Loosen the thumbnail screw securing the PCIe RAID card lock in place.
3. Extend the PCIe RAID card lock.
4. Gently pull the PCIe RAID card in the direction indicated to disconnect the PCIe RAID.
5. Reverse the previous steps to install the replacement PCIe RAID card.





3-10 Replacing the Power Supply

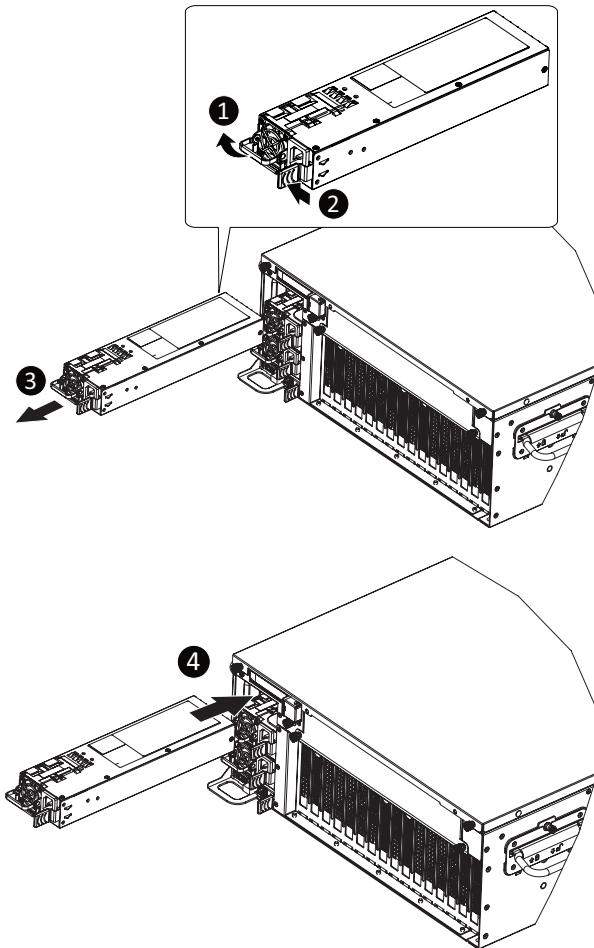


CAUTION!

- In order to reduce the risk of injury from electric shock, disconnect AC power from the power supply before removing the power supply from the system.
- Please see Section 2-2 "Rear View" for installation sequence.

Follow these instructions to replace the power supply:

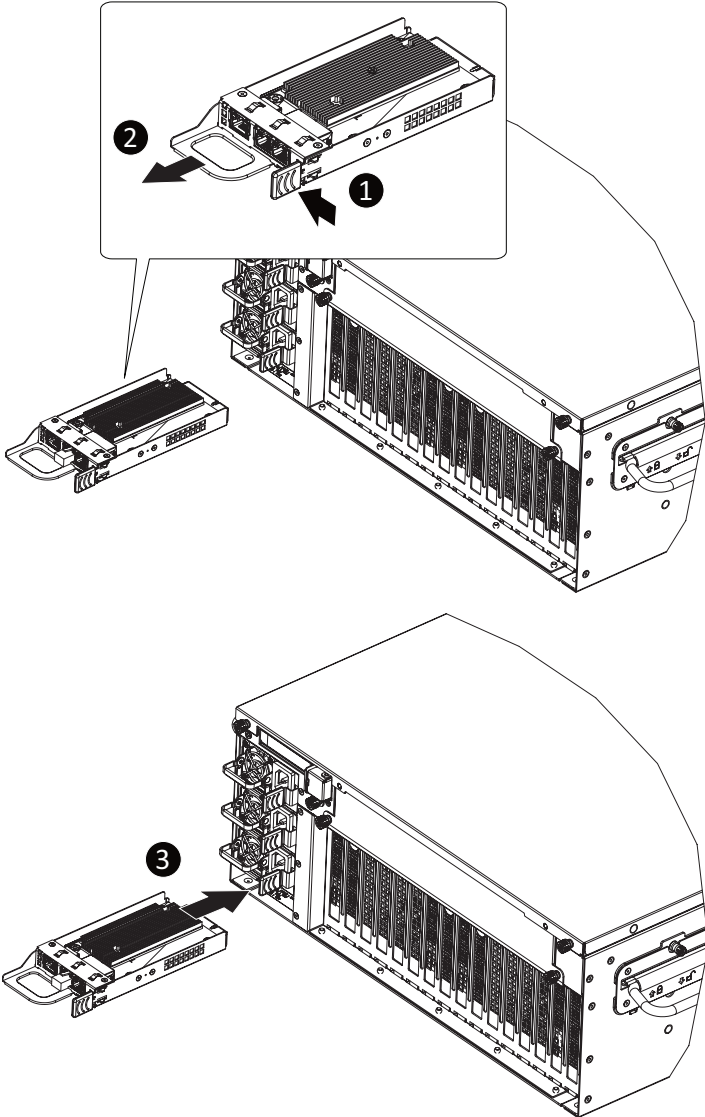
1. Flip up and then grasp the power supply handle.
2. Press the retaining clip on the right side of the power supply in the direction indicated.
3. Pull out the power supply using the handle.
4. Insert the replacement power supply firmly into the chassis. Connect the AC power cord to the replacement power supply.



3-11 Replacing the LAN Module

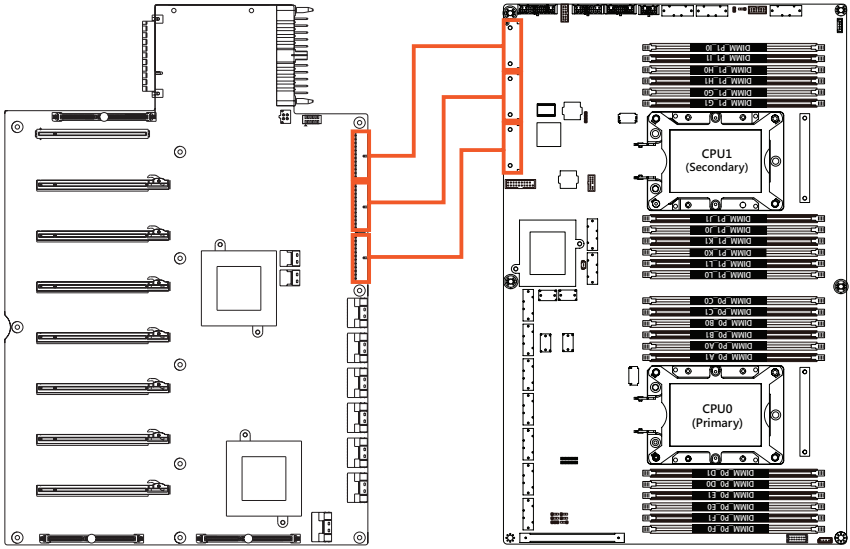
Follow these instructions to replace the LAN module:

1. Press the retaining clip on the right side of the LAN module in the direction indicated.
2. Pull out the LAN module using the handle.
3. Insert the replacement LAN module firmly into the chassis.

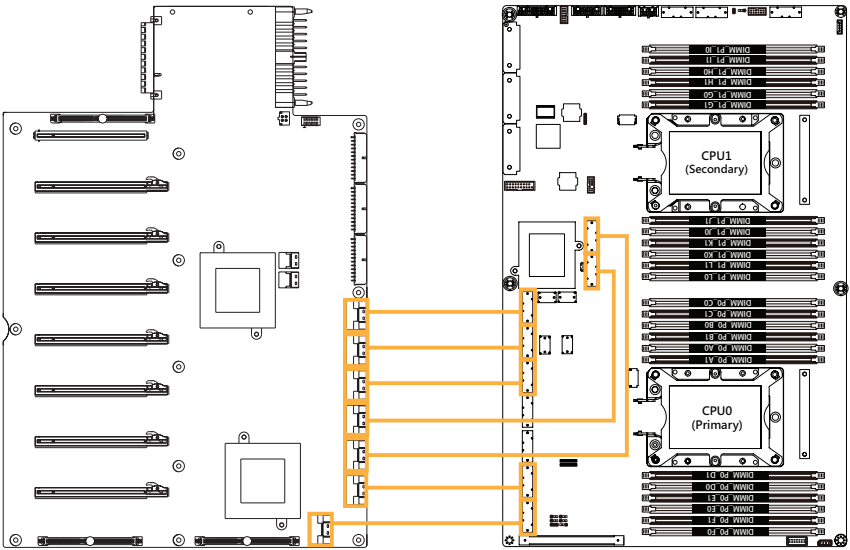


3-12 Cable Connections

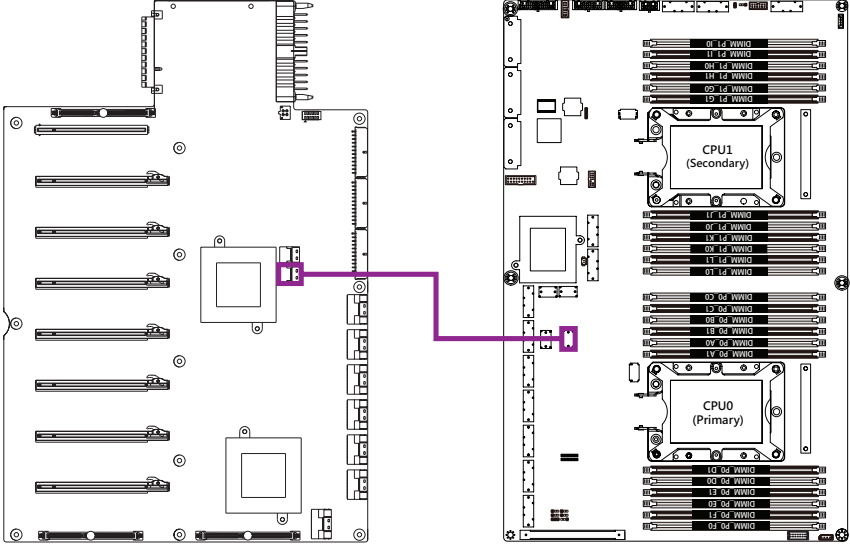
3-12-1 Motherboard CPU & System Power to PCIe Board



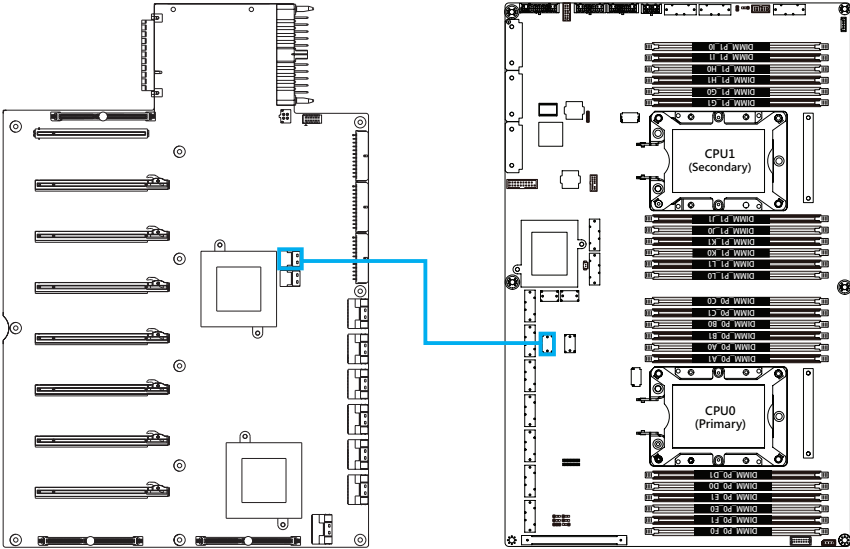
3-12-2 Motherboard Slimline 8i to PCIe Board



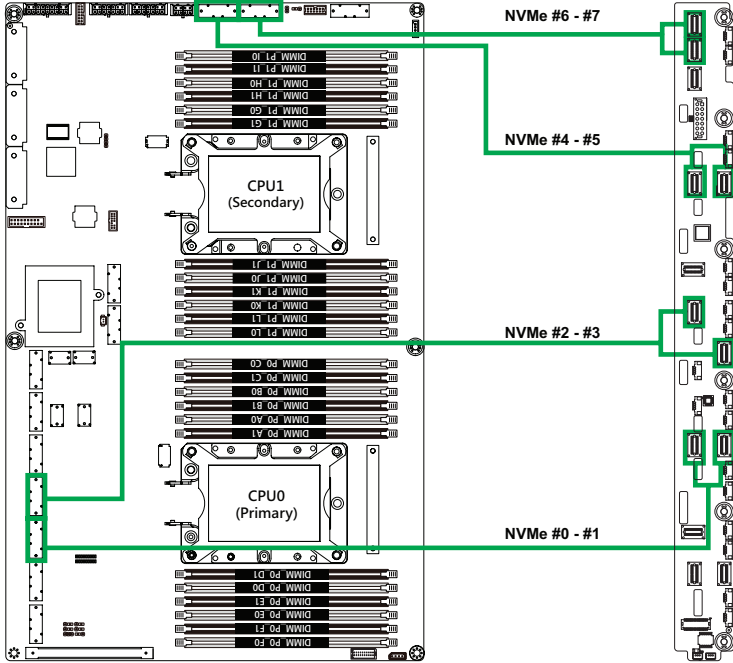
3-12-3 Motherboard Slimline 4i to PCIe Board



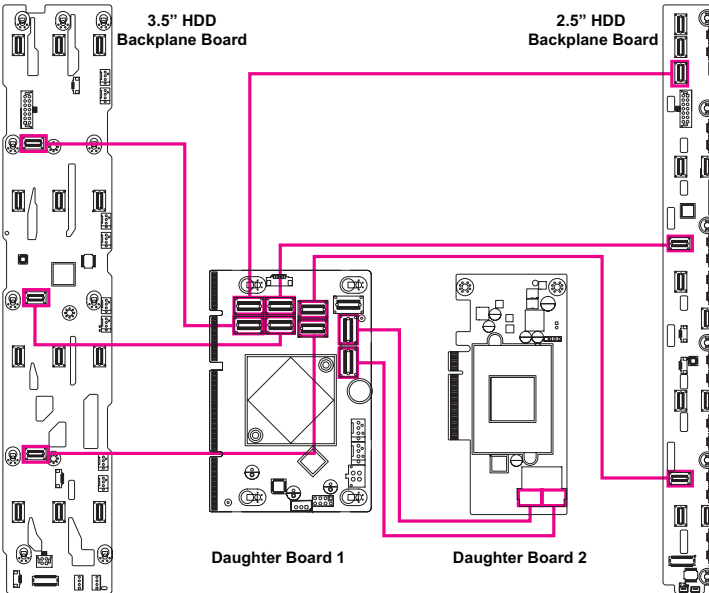
3-12-4 MLAN/NCSI Signal



3-12-5 Motherboard to 2.5" HDD Backplane Board



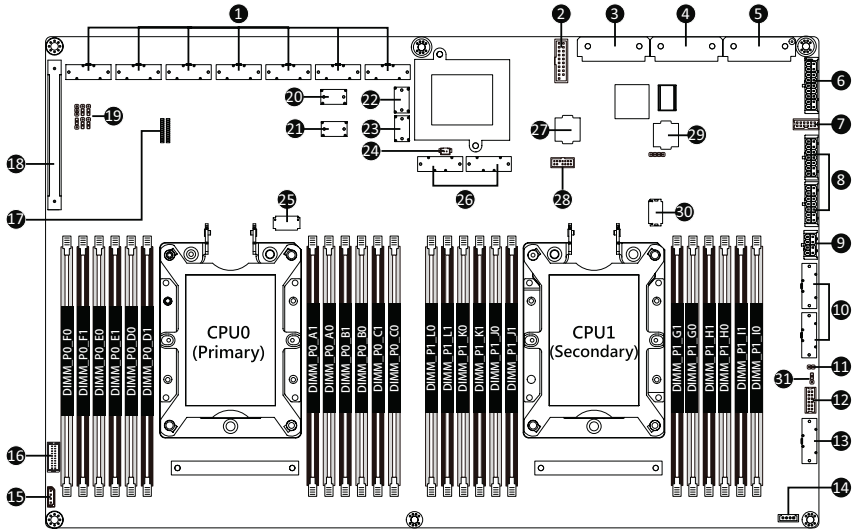
3-12-6 SATA Connections between HDD Backplane Board and Daughter Board



This page intentionally left blank

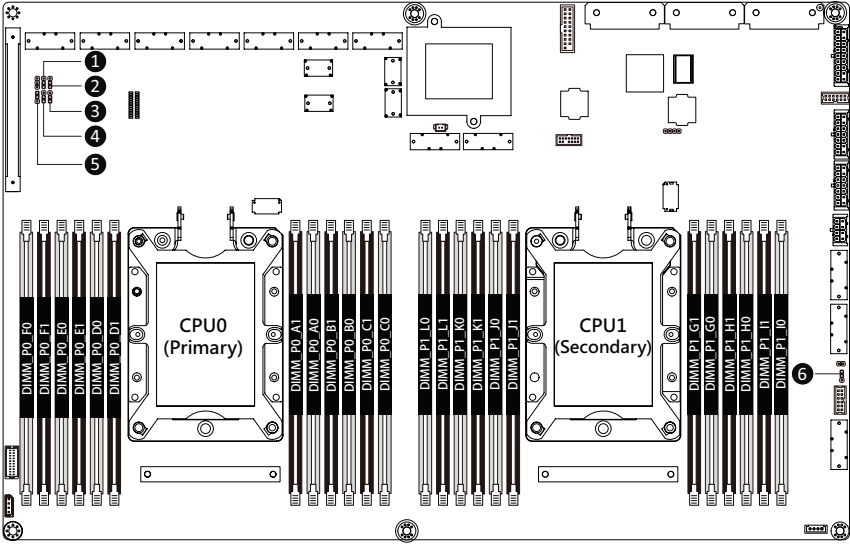
Chapter 4 Motherboard Components

4-1 Motherboard Components



Item	Description	Item	Description
1	Slimline 8i Connector (PCIe Signal)	2	USB 3.0 Header
3	CPU0 Power Connector	4	CPU1 Power Connector
5	System Power Connector	6	2 x 9 Pin System FAN Power Connector
7	System FAN Control Signal Connector	8	2 x 7 Pin HDD Back Plane Board Power Connector
9	2 x 4 Pin Front Panel Power Connector	10	SlimLine 8i Connector (PCIe Signal / Defined by SKUs)
11	Case Open Intrusion Header	12	Front Panel VGA Connector
13	SlimLine 8i Connector (Front Panel Signal)	14	VROC Module Connector
15	IPMB Connector	16	2 x 15 Pin HDD Back Plane Board Connector
17	Memory Status LED	18	PCIe x8 Slot (Gen3)
19	Jumpers	20	MLAN/NCSI Signal
21	SlimLine 4i Connector (Miscellaneous)	22	SlimLine 4i Connector (SATA3 #0 - #3)
23	SlimLine 4i Connector (SATA3 #4 - #7)	24	Battery Cable Connector
25	Omni-Path Connector (for CPU0)	26	SlimLine 8i Connector (PCIe Signal)
27	BIOS Flash ROM	28	TPM
29	BMC Flash ROM	30	Omni-Path Connector (for CPU1)
31	Clear CMOS Jumper		

4-2 Jumper Settings



1

Password	1	<input type="checkbox"/>	Default
Clear	2	<input type="checkbox"/>	Enable
BIOS_PWD	3	<input type="checkbox"/>	Enable

4

ME	1	<input type="checkbox"/>	Default
Recovery	2	<input type="checkbox"/>	Enable
ME_RCVR	3	<input type="checkbox"/>	Enable

2

BIOS	1	<input type="checkbox"/>	Default
Recovery	2	<input type="checkbox"/>	Enable
BIOS_RCVR	3	<input type="checkbox"/>	Enable

5

S3	1	<input type="checkbox"/>	Enable
Power On	2	<input type="checkbox"/>	Default
Select	3	<input type="checkbox"/>	Default
S3_MASK			

3

ME	1	<input type="checkbox"/>	Default
Force	2	<input type="checkbox"/>	Enable
Update	3	<input type="checkbox"/>	Enable
ME_UPDATE			

6

Clear	1	<input type="checkbox"/>	Default
CMOS	2	<input type="checkbox"/>	Enable
CLR_CMOS	3	<input type="checkbox"/>	Enable

Chapter 5 BIOS Setup

BIOS (Basic Input and Output System) records hardware parameters of the system in the EFI on the motherboard. Its major functions include conducting the Power-On Self-Test (POST) during system startup, saving system parameters and loading operating system, etc. BIOS includes a BIOS Setup program that allows the user to modify basic system configuration settings or to activate certain system features. When the power is turned off, the battery on the motherboard supplies the necessary power to the CMOS to keep the configuration values in the CMOS.

To access the BIOS Setup program, press the key during the POST when the power is turned on.



- BIOS flashing is potentially risky, if you do not encounter problems of using the current BIOS version, it is recommended that you don't flash the BIOS. To flash the BIOS, do it with caution. Inadequate BIOS flashing may result in system malfunction.
- It is recommended that you not alter the default settings (unless you need to) to prevent system instability or other unexpected results. Inadequately altering the settings may result in system's failure to boot. If this occurs, try to clear the CMOS values and reset the board to default values. (Refer to the **Exit** section in this chapter or introductions of the battery/clearing CMOS jumper in Chapter 4 for how to clear the CMOS values.)

BIOS Setup Program Function Keys

<<-><->>	Move the selection bar to select the screen
<↑><↓>	Move the selection bar to select an item
<+>	Increase the numeric value or make changes
<->	Decrease the numeric value or make changes
<Enter>	Execute command or enter the submenu
<Esc>	Main Menu: Exit the BIOS Setup program Submenus: Exit current submenu
<F1>	Show descriptions of general help
<F3>	Restore the previous BIOS settings for the current submenus
<F9>	Load the Optimized BIOS default settings for the current submenus
<F10>	Save all the changes and exit the BIOS Setup program

■ **Main**

This setup page includes all the items in standard compatible BIOS.

■ **Advanced**

This setup page includes all the items of AMI BIOS special enhanced features.

(ex: Auto detect fan and temperature status, automatically configure hard disk parameters.)

■ **Chipset**

This setup page includes all the submenu options for configuring the function of processor, network, North Bridge, South Bridge, and System event logs.

■ **Server Management**

Server additional features enabled/disabled setup menus.

■ **Security**

Change, set, or disable supervisor and user password. Configuration supervisor password allows you to restrict access to the system and BIOS Setup.

A supervisor password allows you to make changes in BIOS Setup.

A user password only allows you to view the BIOS settings but not to make changes.

■ **Boot**

This setup page provides items for configuration of boot sequence.

■ **Save & Exit**

Save all the changes made in the BIOS Setup program to the CMOS and exit BIOS Setup. (Pressing <F10> can also carry out this task.)

Abandon all changes and the previous settings remain in effect. Pressing <Y> to the confirmation message will exit BIOS Setup. (Pressing <Esc> can also carry out this task.)

5-1 The Main Menu

Once you enter the BIOS Setup program, the Main Menu (as shown below) appears on the screen. Use arrow keys to move among the items and press <Enter> to accept or enter other sub-menu.

Main Menu Help

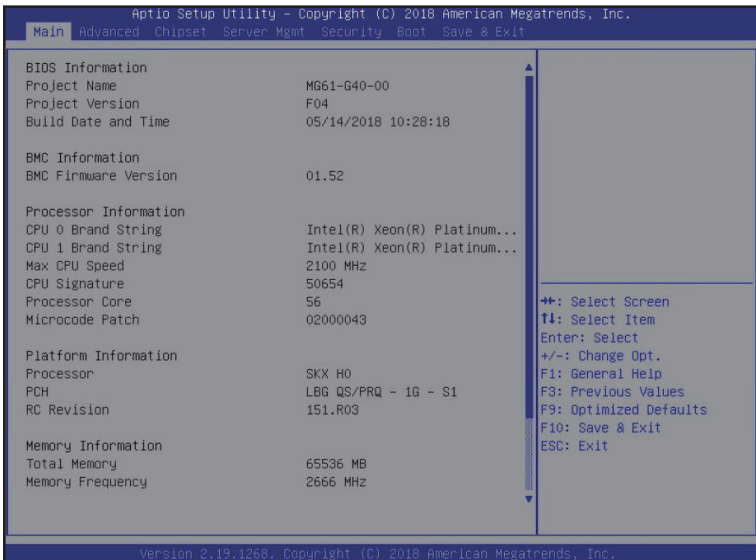
The on-screen description of a highlighted setup option is displayed on the bottom line of the Main Menu.

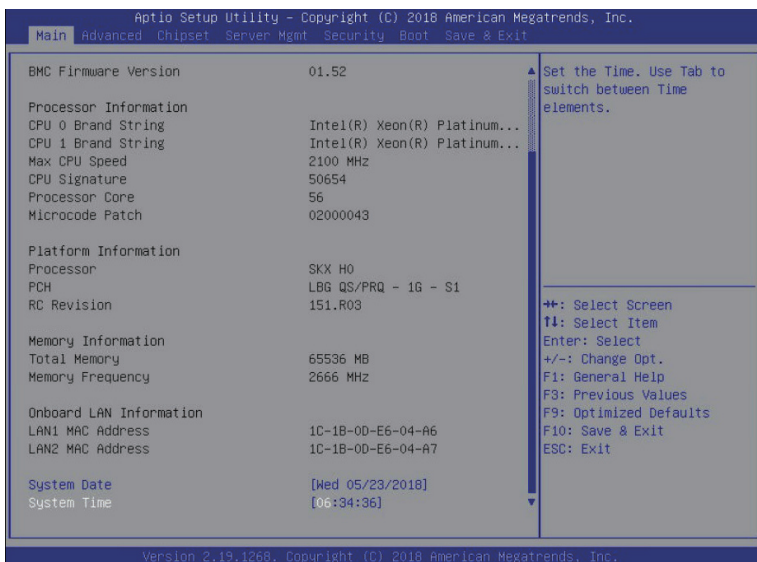
Submenu Help

While in a submenu, press <F1> to display a help screen (General Help) of function keys available for the menu. Press <Esc> to exit the help screen. Help for each item is in the Item Help block on the right side of the submenu.



- When the system is not stable as usual, select the **Restore Defaults** item to set your system to its defaults.
- The BIOS Setup menus described in this chapter are for reference only and may differ by BIOS version.





Parameter	Description
BIOS Information	
Project Name	Displays the project name information.
Project Version	Displays version number of the BIOS setup utility.
Build Date and Time	Displays the date and time when the BIOS setup utility was created.
BMC Information^(Note)	
BMC Firmware Version ^(Note)	Displays BMC firmware version information.
Processor Information	
CPU 0 Brand String / CPU 1 Brand String / Max CPU Speed / CPU Signature / Processor Core / Microcode Patch	Displays the technical specifications for the installed processor(s).
Platform Information	
Processor / PCH / RC Revision	Displays the information for the installed platform.
Memory Information	
Total Memory ^(Note)	Displays the total memory size of the installed memory.
Memory Frequency ^(Note)	Displays the frequency information of the installed memory.

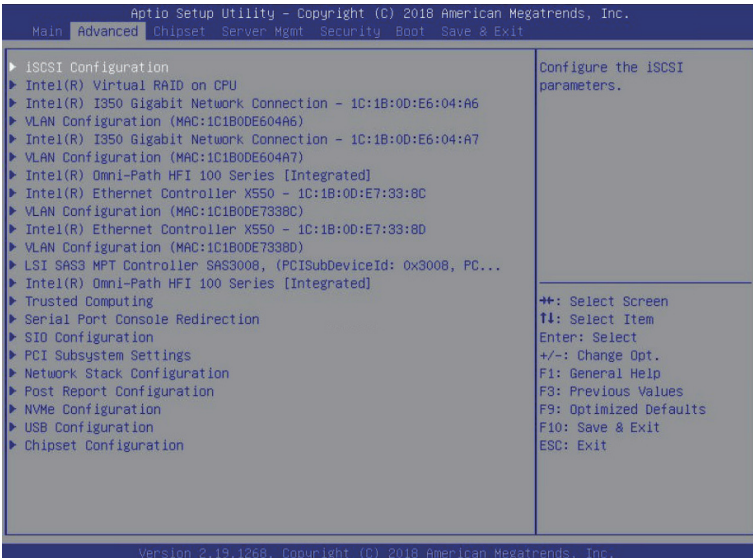
(Note) Functions available on selected models.

Parameter	Description
Onboard LAN Information	
LAN1 MAC Address ^(Note)	Displays LAN MAC address information.
LAN2 MAC Address ^(Note)	Displays LAN MAC address information.
System Date	Sets the date following the weekday-month-day-year format.
System Time	Sets the system time following the hour-minute-second format.

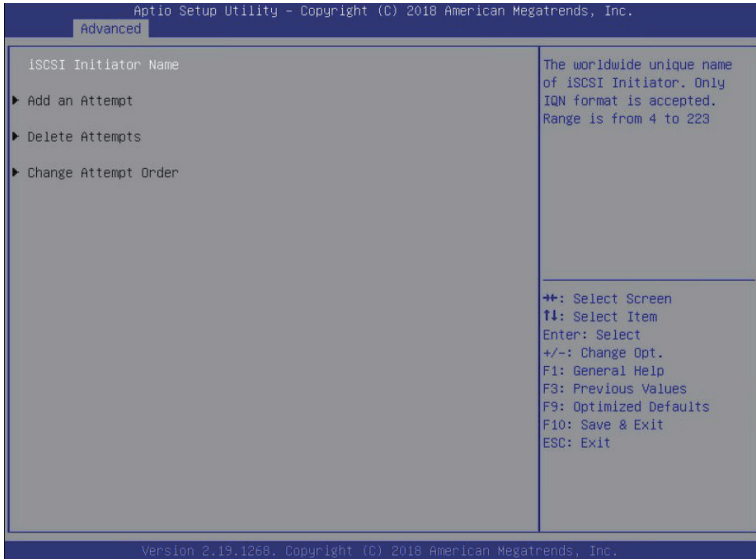
(Note) Functions available on selected models.

5-2 Advanced Menu

The Advanced menu display submenu options for configuring the function of various hardware components. Select a submenu item, then press <Enter> to access the related submenu screen.

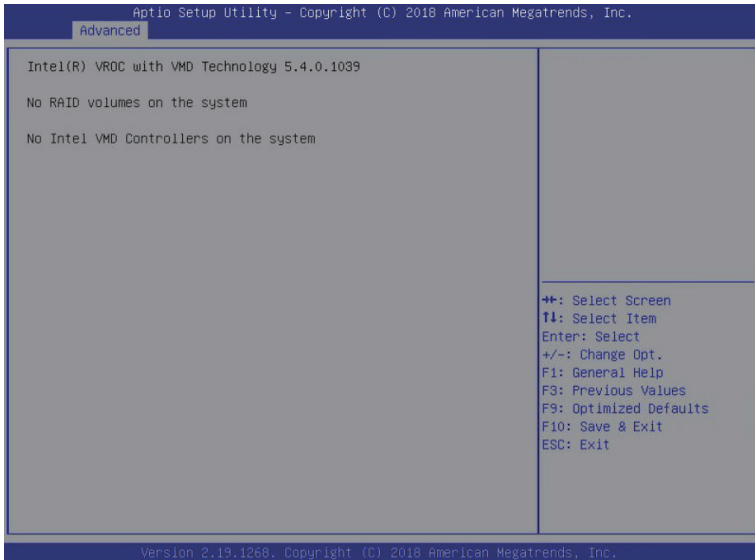


5-2-1 iSCSI Configuration



Parameter	Description
iSCSI Initiator Name	
Add an Attempt	Press [Enter] to configure advanced items.
Delete Attempts	Press [Enter] to configure advanced items.
Change Attempt Order	Press [Enter] to configure advanced items.

5-2-2 Intel(R) Virtual RAID on CPU



Parameter	Description
Intel(R) Virtual RAID on CPU	Press [Enter] to manage Intel® Virtual RAID on the CPU.

5-2-3 Intel(R) I350 Gigabit Network Connection

Aptio Setup Utility - Copyright (C) 2018 American Megatrends, Inc.

Advanced

► NIC Configuration

Blink LEDs 0

UEFI Driver Intel(R) PRO/1000 7.5.11 ...
 Adapter PBA 130815-007
 Device Name Intel(R) I350 Gigabit Net...
 Chip Type Intel I350
 PCI Device ID 1521
 PCI Address 01:00:00

Link Status [Disconnected]

MAC Address 1C:1B:0D:E6:04:A6
 Virtual MAC Address 00:00:00:00:00:00

Click to configure the network device port.

↔: Select Screen
 ↑↓: Select Item
 Enter: Select
 +/-: Change Opt.
 F1: General Help
 F3: Previous Values
 F9: Optimized Defaults
 F10: Save & Exit
 ESC: Exit

Version 2.19.1268, Copyright (C) 2018 American Megatrends, Inc.

Aptio Setup Utility - Copyright (C) 2018 American Megatrends, Inc.

Advanced

► NIC Configuration

Blink LEDs 0

UEFI Driver Intel(R) PRO/1000 7.5.11 ...
 Adapter PBA 130815-007
 Device Name Intel(R) I350 Gigabit Net...
 Chip Type Intel I350
 PCI Device ID 1521
 PCI Address 01:00:01

Link Status [Disconnected]

MAC Address 1C:1B:0D:E6:04:A7
 Virtual MAC Address 00:00:00:00:00:00

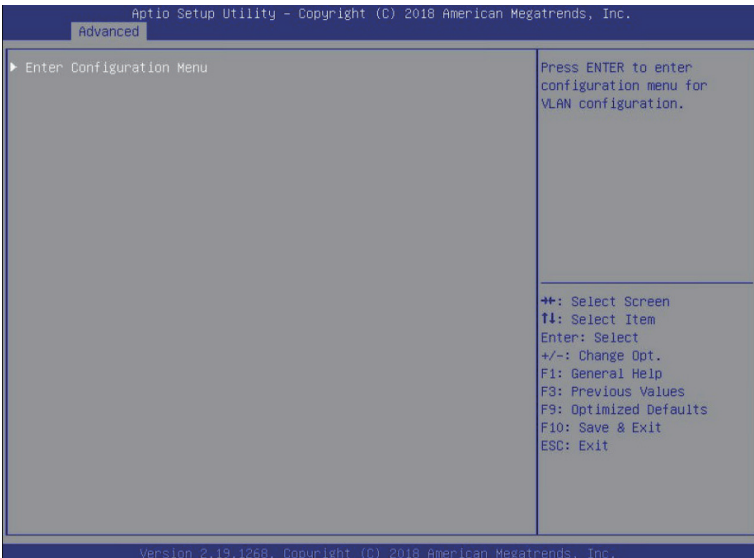
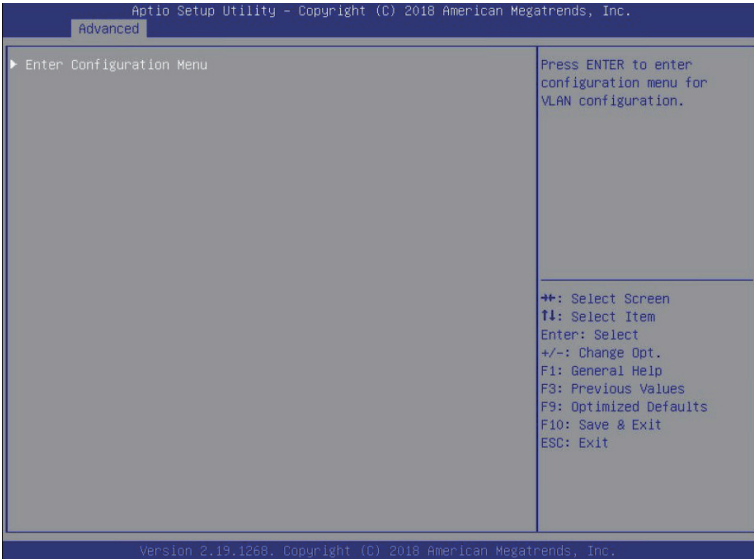
Click to configure the network device port.

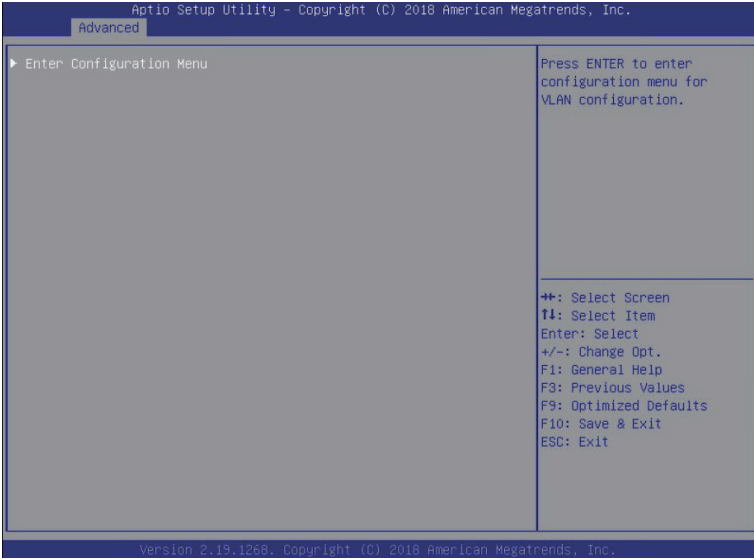
↔: Select Screen
 ↑↓: Select Item
 Enter: Select
 +/-: Change Opt.
 F1: General Help
 F3: Previous Values
 F9: Optimized Defaults
 F10: Save & Exit
 ESC: Exit

Version 2.19.1268, Copyright (C) 2018 American Megatrends, Inc.

Parameter	Description
NIC Configuration	<p>Press [Enter] to configure advanced items.</p> <ul style="list-style-type: none"> ◆ Link Speed <ul style="list-style-type: none"> – Allows for automatic link speed adjustment. – Options available: Auto Negotiated/10 Mbps Half/10 Mbps Full/100 Mbps Half/100 Mbps Full. Default setting is Auto Negotiated. ◆ Wake On LAN <ul style="list-style-type: none"> – Enables power on of the system via LAN. Note that configuring Wake on LAN in the operating system does not change the value of this setting, but does override the behavior of Wake on LAN in OS controlled power states. – Options available: Enabled/Disabled. Default setting is Enabled.
Blink LEDs	Identifies the physical network port by blinking the associated LED. Press the numeric keys to adjust desired values.
UEFI Driver	Displays the technical specifications for the Network Interface Controller.
Adapter PBA	Displays the technical specifications for the Network Interface Controller.
Device Name	Displays the technical specifications for the Network Interface Controller.
Chip Type	Displays the technical specifications for the Network Interface Controller.
PCI Device ID	Displays the technical specifications for the Network Interface Controller.
PCI Address	Displays the technical specifications for the Network Interface Controller.
Link Status	Displays the technical specifications for the Network Interface Controller.
MAC Address	Displays the technical specifications for the Network Interface Controller.
Virtual MAC Address	Displays the technical specifications for the Network Interface Controller.

5-2-4 VLAN Configuration





Parameter	Description
Enter Configuration Menu	<p data-bbox="338 153 674 174">Press [Enter] to configure advanced items.</p> <ul style="list-style-type: none"> <li data-bbox="338 185 522 205">◆ Create new VLAN <li data-bbox="338 216 937 323">◆ VLAN ID <ul style="list-style-type: none"> <li data-bbox="376 241 804 261">– Sets VLAN ID for a new VLAN or an existing VLAN. <li data-bbox="376 272 937 293">– Press the <+> / <-> keys to increase or decrease the desired values. <li data-bbox="376 304 666 324">– The valid range is from 0 to 4094. <li data-bbox="338 333 937 440">◆ Priority <ul style="list-style-type: none"> <li data-bbox="376 359 852 379">– Sets 802.1Q Priority for a new VLAN or an existing VLAN. <li data-bbox="376 390 937 410">– Press the <+> / <-> keys to increase or decrease the desired values. <li data-bbox="376 421 636 442">– The valid range is from 0 to 7. <li data-bbox="338 451 905 498">◆ Add VLAN <ul style="list-style-type: none"> <li data-bbox="376 476 905 497">– Press [Enter] to create a new VLAN or update an existing VLAN. <li data-bbox="338 508 878 586">◆ Configured VLAN List <ul style="list-style-type: none"> <li data-bbox="376 533 607 553">– Enable/Disable the VLAN. <li data-bbox="376 564 878 584">– Options available: Enable/Disable. Default setting is Disable. <li data-bbox="338 595 732 642">◆ Remove VLAN <ul style="list-style-type: none"> <li data-bbox="376 620 732 641">– Press [Enter] to remove an existing VLAN.

5-2-5 Intel(R) Omni-Path HFI 100 Series

Aptio Setup Utility - Copyright (C) 2018 American Megatrends, Inc.

Advanced

<p>▶ Advanced NIC Configuration</p> <pre> UEFI Driver Intel(R) HFI PCIe Gen3 Dr... Device Name HFI1_0 PCI Device ID 24F1 PCI Address 7F:00:00 Port GUID 0x00117501010FB691 Fabric Link State [Offline] Fabric Link Speed [25Gb] Fabric Link Width [1X] </pre>	<p>Go to Advanced NIC Configuration</p> <hr/> <pre> ++: Select Screen ↑↓: Select Item Enter: Select +/-: Change Opt. F1: General Help F3: Previous Values F9: Optimized Defaults F10: Save & Exit ESC: Exit </pre>
---	--

Version 2.19.1268, Copyright (C) 2018 American Megatrends, Inc.

Aptio Setup Utility - Copyright (C) 2018 American Megatrends, Inc.

Advanced

<p>▶ Advanced NIC Configuration</p> <pre> UEFI Driver Intel(R) HFI PCIe Gen3 Dr... Device Name HFI1_1 PCI Device ID 24F1 PCI Address FF:00:00 Port GUID 0x0011750901085677 Fabric Link State [Offline] Fabric Link Speed [25Gb] Fabric Link Width [1X] </pre>	<p>Go to Advanced NIC Configuration</p> <hr/> <pre> ++: Select Screen ↑↓: Select Item Enter: Select +/-: Change Opt. F1: General Help F3: Previous Values F9: Optimized Defaults F10: Save & Exit ESC: Exit </pre>
---	--

Version 2.19.1268, Copyright (C) 2018 American Megatrends, Inc.

Parameter	Description
Advanced NIC Configuration	<p>Press [Enter] to configure advanced items.</p> <ul style="list-style-type: none"> ◆ Debug Options <ul style="list-style-type: none"> – Allows users to configure link initialization in pre-boot. – Options available: Auto/Enabled/Disabled. Default setting is Auto. ◆ Use a custom P_Key value <ul style="list-style-type: none"> – Select 'Yes' to use a custom P_Key value or boot over fabric (instead of a default one.) – Options available: No/Yes. ◆ Custom P_Key value (hexadecimal) <ul style="list-style-type: none"> – This item cannot be configured if Use a custom P_Key value is set to No. – This P_Key value will be used for boot over fabric. The 'full membership' bit (0x8000) will be always set automatically.
UEFI Driver	Displays the technical specifications for the Advanced Network Interface Controller.
Device Name	Displays the technical specifications for the Advanced Network Interface Controller.
PCI Device ID	Displays the technical specifications for the Advanced Network Interface Controller.
PCI Address	Displays the technical specifications for the Advanced Network Interface Controller.
Port GUID	Displays the technical specifications for the Advanced Network Interface Controller.
Fabric Link State	Displays the technical specifications for the Advanced Network Interface Controller.
Fabric Link Speed	Displays the technical specifications for the Advanced Network Interface Controller.
Fabric Link Width	Displays the technical specifications for the Advanced Network Interface Controller.

5-2-6 Intel(R) Ethernet Controller X550

Apilo Setup Utility - Copyright (C) 2018 American Megatrends, Inc.

Advanced

► NIC Configuration

Blink LEDs	0
UEFI Driver	Intel(R) 10GbE Driver 5.1...
Adapter PBA	000000-000
Device Name	Intel(R) Ethernet Control...
Chip Type	Intel X550
PCI Device ID	1563
PCI Address	84:00:00
Link Status	[Disconnected]
MAC Address	1C:1B:0D:E7:33:8C
Virtual MAC Address	00:00:00:00:00:00

Click to configure the network device port.

⬆: Select Screen
↑: Select Item
Enter: Select
+/-: Change Opt.
F1: General Help
F3: Previous Values
F9: Optimized Defaults
F10: Save & Exit
ESC: Exit

Version 2.19.1268, Copyright (C) 2018 American Megatrends, Inc.

Apilo Setup Utility - Copyright (C) 2018 American Megatrends, Inc.

Advanced

► NIC Configuration

Blink LEDs	0
UEFI Driver	Intel(R) 10GbE Driver 5.1...
Adapter PBA	000000-000
Device Name	Intel(R) Ethernet Control...
Chip Type	Intel X550
PCI Device ID	1563
PCI Address	84:00:01
Link Status	[Disconnected]
MAC Address	1C:1B:0D:E7:33:8D
Virtual MAC Address	00:00:00:00:00:00

Click to configure the network device port.

⬆: Select Screen
↑: Select Item
Enter: Select
+/-: Change Opt.
F1: General Help
F3: Previous Values
F9: Optimized Defaults
F10: Save & Exit
ESC: Exit

Version 2.19.1268, Copyright (C) 2018 American Megatrends, Inc.

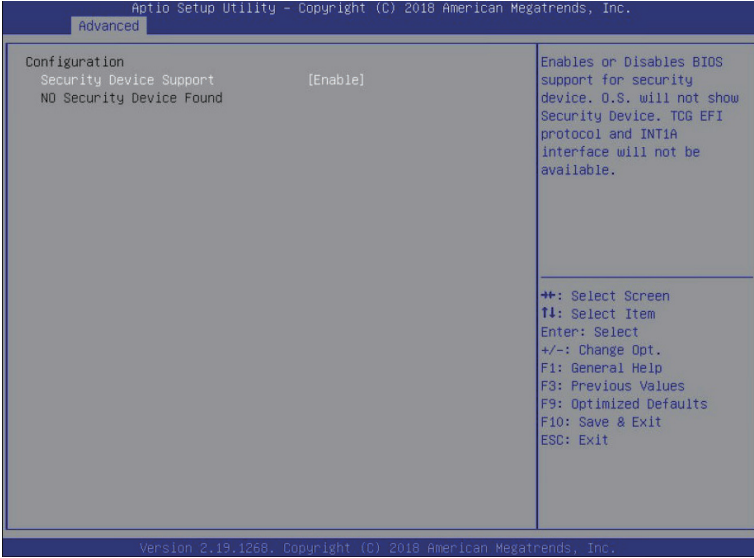
Parameter	Description
NIC Configuration	<p>Press [Enter] to configure advanced items.</p> <ul style="list-style-type: none"> ◆ Link Speed <ul style="list-style-type: none"> – Allows for automatic link speed adjustment. – Options available: Auto Negotiated/10 Mbps Half/10 Mbps Full/100 Mbps Half/100 Mbps Full. Default setting is Auto Negotiated. ◆ Wake On LAN <ul style="list-style-type: none"> – Enables power on of the system via LAN. Note that configuring Wake on LAN in the operating system does not change the value of this setting, but does override the behavior of Wake on LAN in OS controlled power states. – Options available: Enabled/Disabled. Default setting is Enabled.
Blink LEDs	Identifies the physical network port by blinking the associated LED. Press the numeric keys to adjust desired values.
UEFI Driver	Displays the technical specifications for the Network Interface Controller.
Adapter PBA	Displays the technical specifications for the Network Interface Controller.
Device Name	Displays the technical specifications for the Network Interface Controller.
Chip Type	Displays the technical specifications for the Network Interface Controller.
PCI Device ID	Displays the technical specifications for the Network Interface Controller.
PCI Address	Displays the technical specifications for the Network Interface Controller.
Link Status	Displays the technical specifications for the Network Interface Controller.
MAC Address	Displays the technical specifications for the Network Interface Controller.
Virtual MAC Address	Displays the technical specifications for the Network Interface Controller.

5-2-7 LSI SAS3 MPT Controller SAS3008



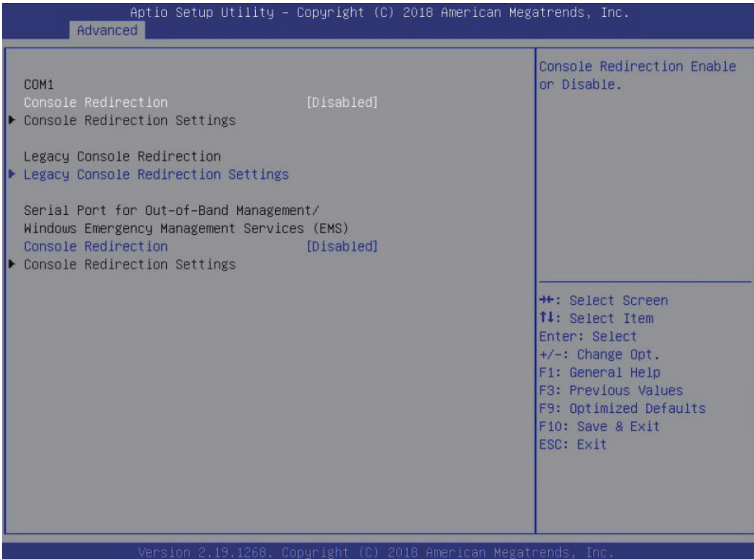
Parameter	Description
LSI SAS3 MPT Controller Version	<p>Press [Enter] to configure advanced items.</p> <ul style="list-style-type: none"> ◆ Controller Management <ul style="list-style-type: none"> – View Controller Properties <ul style="list-style-type: none"> ▪ Press [Enter] to view detailed information. – Change Controller Properties <ul style="list-style-type: none"> ▪ Rebuild Rate: Select to change Rebuild Rate. ▪ Legacy BIOS: Enable/Disable Legacy BIOS. ▪ Apply Changes – Save Controller Events <ul style="list-style-type: none"> ▪ Available File Systems: Select to choose an available File System. ▪ Available Directories: Select to choose an available Directories. ▪ Enter File Name: Allows to enter File Name. ▪ Save Events – Advanced Controller Properties <ul style="list-style-type: none"> ▪ Port Configuration: Allows the logical grouping of the controller phys into one or more ports. ▪ Report Device Missing Delay Timer: Allows to configure Report Device Missing Delay Timer. ▪ Report I/O Missing Delay Timer: Allows to configure Report I/O Missing Delay Timer. ▪ Apply Changes

5-2-8 Trusted Computing



Parameter	Description
Configuration	
Security Device Support	Enable/Disable the TPM support feature. Options available: Enable/Disable. Default setting is Enable .
Current Status Information	Displays current TPM status information.

5-2-9 Serial Port Console Redirection



Parameter	Description
COM1/COM2 Serial Over LAN Console Redirection ^(Note)	Select whether to enable console redirection for specified device. Console redirection enables the users to manage the system from a remote location. Options available: Enabled/Disabled. Default setting is Disabled .
Legacy Console Redirection	Selects a COM port for Legacy serial redirection. The options are dependent on the available COM ports.
Serial Port for Out-of-Band Management / Windows Emergency Management Services (EMS) Console Redirection ^(Note)	Selects a COM port for EMS console redirection. EMS console redirection allows the user to configure Console Redirection Settings to support Out-of-Band Serial Port management. Options available: Enabled/Disabled. Default setting is Disabled .
COM1/COM2 Serial LAN/ Legacy/Serial Port for Out-of-Band EMS Console Redirection Settings	Press [Enter] to configure advanced items. Please note that this item is configurable when COM1/COM2 Serial Over LAN/Serial Port for Out-of-Band Management EMS Console Redirection is set to Enabled. <ul style="list-style-type: none"> ◆ Terminal Type <ul style="list-style-type: none"> – Selects a terminal type to be used for console redirection. – Options available: VT100/VT100+/ANSI /VT-UTF8. Default setting is ANSI.

(Note) Advanced items prompt when this item is defined.

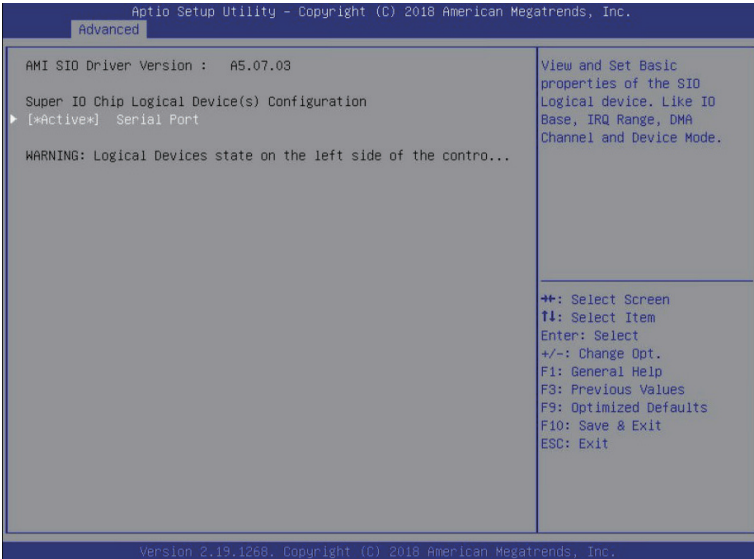
Parameter	Description
COM1/COM2 Serial LAN/ Legacy/Serial Port for Out- of-Band EMS Console Redirection Settings (continued)	<ul style="list-style-type: none"> ◆ Bits per second <ul style="list-style-type: none"> – Selects the transfer rate for console redirection. – Options available: 9600/19200/38400/57600/115200. Default setting is 115200. ◆ Data Bits <ul style="list-style-type: none"> – Selects the number of data bits used for console redirection. – Options available: 7/8. Default setting is 8. ◆ Parity <ul style="list-style-type: none"> – A parity bit can be sent with the data bits to detect some transmission errors. – Even: parity bit is 0 if the num of 1's in the data bits is even. – Odd: parity bit is 0 if num of 1's in the data bits is odd. – Mark: parity bit is always 1. Space: Parity bit is always 0. – Mark and Space Parity do not allow for error detection. – Options available: None/Even/Odd/Mark/Space. Default setting is None. ◆ Stop Bits <ul style="list-style-type: none"> – Stop bits indicate the end of a serial data packet. (A start bit indicates the beginning). The standard setting is 1 stop bit. Communication with slow devices may require more than 1 stop bit. – Options available: 1/2. Default setting is 1. ◆ Flow Control <ul style="list-style-type: none"> – Flow control can prevent data loss from buffer overflow. When sending data, if the receiving buffers are full, a 'stop' signal can be sent to stop the data flow. Once the buffers are empty, a 'start' signal can be sent to re-start the flow. Hardware flow control uses two wires to send start/stop signals. – Options available: None/Hardware RTS/CTS. Default setting is None. ◆ VT-UTF8 Combo Key Support <ul style="list-style-type: none"> – Enable/Disable the VT-UTF8 Combo Key Support. – Options available: Enabled/Disabled. Default setting is Enabled. ◆ Recorder Mode^(Note) <ul style="list-style-type: none"> – When this mode enabled, only texts will be send. This is to capture Terminal data. – Options available: Enabled/Disabled. Default setting is Disabled. ◆ Resolution 100x31^(Note) <ul style="list-style-type: none"> – Enable/Disable extended terminal resolution. – Options available: Enabled/Disabled. Default setting is Enabled.

(Note) Advanced items prompt when this item is defined.

Parameter	Description
COM1/COM2 Serial LAN/ Legacy/Serial Port for Out- of-Band EMS Console Redirection Settings (continued)	<ul style="list-style-type: none"> ◆ Legacy OS Redirection Resolution^(Note) <ul style="list-style-type: none"> – Specifies the number of Rows and Columns supported for the Legacy OS redirection. – Options available: 80x24/80x25. Default setting is 80x24. ◆ Putty KeyPad^(Note) <ul style="list-style-type: none"> – Selects FunctionKey and KeyPad on Putty. – Options available: T100/LINUX/XTERMR6/SCO/ESCN/VT400. Default setting is VT100. ◆ Redirection After BIOS POST^(Note) <ul style="list-style-type: none"> – This item allows user to enable console redirection after OS has loaded. – Options available: Always Enable/Boot Loader. Default setting is Always Enable. ◆ Legacy Console Redirection Settings <ul style="list-style-type: none"> – Selects a COM port to display redirection of Legacy OS and Legacy OPROM Messages. – Options available: COM1/COM2 Serial Over LAN. Default setting is COM1. ◆ Out-of-Band Mgmt Port <ul style="list-style-type: none"> – Microsoft Windows Emergency Management Service (EMS) allows for remote management of a Windows Server OS through a serial port. – Options available: COM1/COM2 Serial Over LAN. Default setting is COM1.

(Note) Advanced items prompt when this item is defined.

5-2-10 SIO Configuration



Parameter	Description
AMI SIO Driver Version	Displays the AMI SIO driver version information.
Super IO Chip Logical Device(s) Configuration	Press [Enter] to configure advanced items.
[*Active*] Serial Port	<ul style="list-style-type: none"> ◆ Use This Device <ul style="list-style-type: none"> – When set to Enabled allows you to configure the serial port settings. When set to Disabled, displays no configuration for the serial port. – Options available: Enabled/Disabled. Default setting is Enabled. ◆ Current: <ul style="list-style-type: none"> – Displays the serial port base I/O address and IRQ. ◆ Possible: <ul style="list-style-type: none"> – Configures the serial port base I/O address and IRQ. Use Automatic Settings IO=3F8h; IRQ=4; DMA; IO=3F8h; IRQ=3, 4, 5, 7, 9, 10, 11, 12; DMA; IO=2F8h; IRQ=3, 4, 5, 7, 9, 10, 11, 12; DMA; IO=3E8h; IRQ=3, 4, 5, 7, 9, 10, 11, 12; DMA; IO=2E8h; IRQ=3, 4, 5, 7, 9, 10, 11, 12; DMA; Default setting is Use Automatic Settings.

5-2-11 PCI Subsystem Settings

Aptio Setup Utility - Copyright (C) 2018 American Megatrends, Inc.

Advanced

PCI Bus Driver Version	A5.01.12	Enable/Disable PCI-Express slot #1-1 I/O ROM.
PCI Express Slot #1-1 I/O ROM	[Enabled]	
PCI Express Slot #1-2 I/O ROM	[Enabled]	
PCI Express Slot #2-1 I/O ROM	[Enabled]	
PCI Express Slot #2-2 I/O ROM	[Enabled]	
PCI Express Slot #3-1 I/O ROM	[Enabled]	
PCI Express Slot #3-2 I/O ROM	[Enabled]	
PCI Express Slot #4-1 I/O ROM	[Enabled]	
PCI Express Slot #4-2 I/O ROM	[Enabled]	
PCI Express Slot #9 I/O ROM	[Enabled]	
PCI Express Slot #10 I/O ROM	[Enabled]	
PCI Express Slot #11 I/O ROM	[Enabled]	
PCI Express Slot #12 I/O ROM	[Enabled]	
PCI Express Slot #13 I/O ROM	[Enabled]	
PCI Express Slot #14 I/O ROM	[Enabled]	
PCI Express Slot #15 I/O ROM	[Enabled]	
PCI Express Slot #16 I/O ROM	[Enabled]	
PCI Express Slot #17 I/O ROM	[Enabled]	
Onboard LAN1 Controller	[Enabled]	
Onboard LAN2 Controller	[Enabled]	
Onboard LAN1 I/O ROM	[Enabled]	
Onboard LAN2 I/O ROM	[Enabled]	
PCI Devices Common Settings:		
Above 4G Decoding	[Enabled]	

+: Select Screen
 ↑: Select Item
 Enter: Select
 +/-: Change Opt.
 F1: General Help
 F3: Previous Values
 F9: Optimized Defaults
 F10: Save & Exit
 ESC: Exit

Version 2.19.1268, Copyright (C) 2018 American Megatrends, Inc.

Aptio Setup Utility - Copyright (C) 2018 American Megatrends, Inc.

Advanced

PCI Express Slot #2-2 I/O ROM	[Enabled]	If system has SR-IOV capable PCIe Devices, this option Enables or Disables Single Root IO Virtualization Support.
PCI Express Slot #3-1 I/O ROM	[Enabled]	
PCI Express Slot #3-2 I/O ROM	[Enabled]	
PCI Express Slot #4-1 I/O ROM	[Enabled]	
PCI Express Slot #4-2 I/O ROM	[Enabled]	
PCI Express Slot #9 I/O ROM	[Enabled]	
PCI Express Slot #10 I/O ROM	[Enabled]	
PCI Express Slot #11 I/O ROM	[Enabled]	
PCI Express Slot #12 I/O ROM	[Enabled]	
PCI Express Slot #13 I/O ROM	[Enabled]	
PCI Express Slot #14 I/O ROM	[Enabled]	
PCI Express Slot #15 I/O ROM	[Enabled]	
PCI Express Slot #16 I/O ROM	[Enabled]	
PCI Express Slot #17 I/O ROM	[Enabled]	
Onboard LAN1 Controller	[Enabled]	
Onboard LAN2 Controller	[Enabled]	
Onboard LAN1 I/O ROM	[Enabled]	
Onboard LAN2 I/O ROM	[Enabled]	
PCI Devices Common Settings:		
Above 4G Decoding	[Enabled]	
SR-IOV Support	[Enabled]	

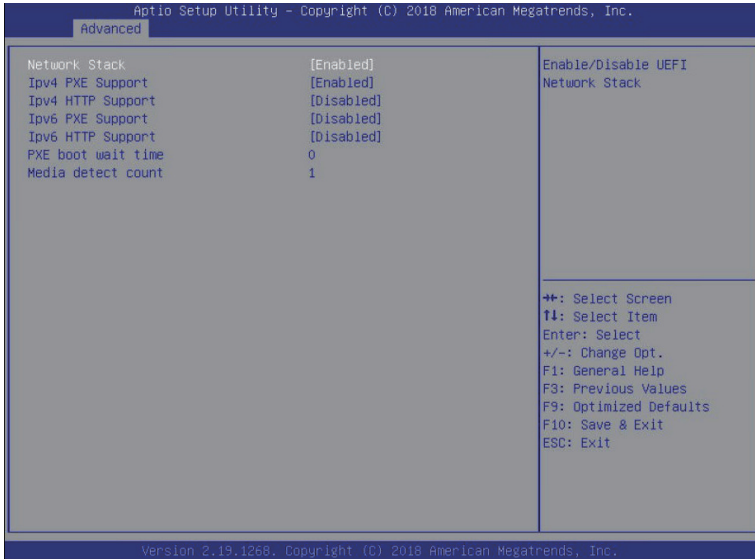
+: Select Screen
 ↑: Select Item
 Enter: Select
 +/-: Change Opt.
 F1: General Help
 F3: Previous Values
 F9: Optimized Defaults
 F10: Save & Exit
 ESC: Exit

Version 2.19.1268, Copyright (C) 2018 American Megatrends, Inc.

Parameter	Description
PCI Bus Driver Version	Displays the PCI Bus Driver version information.
PCI Express Slot #1-1 / #1-2 / #2-1 / #2-2 / #3-1 / #3-2 / #4-1 / #4-2 / #9 / #10 / #11 / #12 / #13 / #14 / #15 / #16 / #17 I/O ROM ^(Note)	When enabled, this setting will initialize the device expansion ROM for the related PCI-E slot. Options available: Enabled/Disabled. Default setting is Enabled .
Onboard LAN1 / LAN2 Controller ^(Note)	Enable/Disable the onboard LAN1 / LAN2 devices. Options available: Enabled/Disabled. Default setting is Enabled .
Onboard LAN1 / LAN2 I/O ROM ^(Note)	Enable/Disable the onboard LAN1 / LAN2 devices, and initializes device expansion ROM. Options available: Enabled/Disabled. Default setting is Enabled .
PCI Devices Common Settings	
Above 4G Decoding	Enable/Disable memory mapped I/O to 4GB or greater address space (Above 4G Decoding). Options available: Enabled/Disabled. Default setting is Disabled .
SR-IOV Support	If the system has SR-IOV capable PCIe devices, this item Enable/Disable Single Root IO Virtualization Support. Options available: Enabled/Disabled. Default setting is Enabled .

(Note) Functions available on selected models.

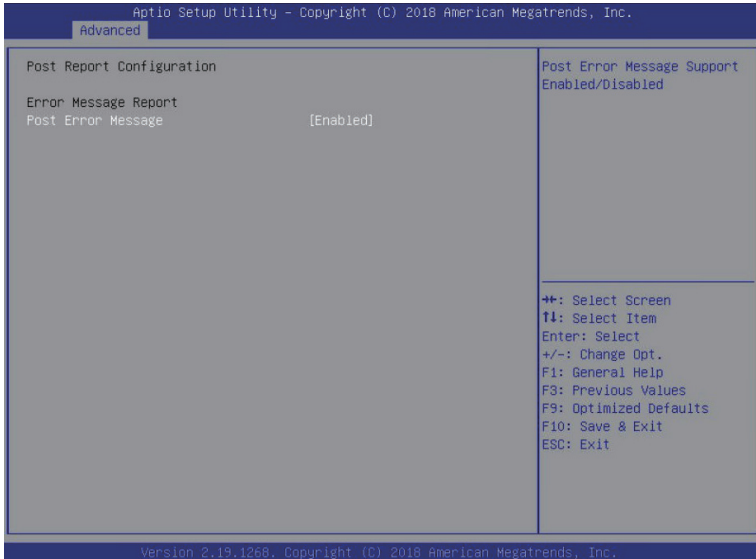
5-2-12 Network Stack Configuration



Parameter	Description
Network Stack	Enable/Disable the UEFI network stack. Options available: Enabled/Disabled. Default setting is Enabled .
Ipv4 PXE Support ^(Note)	Enable/Disable the Ipv4 PXE feature. Options available: Enabled/Disabled. Default setting is Enabled .
Ipv4 HTTP Support ^(Note)	Enable/Disable the Ipv4 HTTP feature. Options available: Enabled/Disabled. Default setting is Disabled .
Ipv6 PXE Support ^(Note)	Enable/Disable the Ipv6 PXE feature. Options available: Enabled/Disabled. Default setting is Disabled .
Ipv6 HTTP Support ^(Note)	Enable/Disable the Ipv6 HTTP feature. Options available: Enabled/Disabled. Default setting is Disabled .
PXE boot wait time ^(Note)	Press the <+> / <-> keys to increase or decrease the desired values.
Media detect count ^(Note)	Press the <+> / <-> keys to increase or decrease the desired values.

(Note) This item appears when **Network Stack** is set to **Enabled**.

5-2-13 Post Report Configuration



Parameter	Description
Post Report Configuration	
Error Message Report	
Post Error Message	Enable/Disable the POST Error Message support. Options available: Enabled/Disabled. Default setting is Enabled .

5-2-14 NVMe Configuration



Parameter	Description
NVMe Configuration	Displays the NVMe devices connected to the system.

5-2-15 USB Configuration



Parameter	Description
USB Configuration	
USB Devices:	Displays the USB devices connected to the system.
XHCI Hand-off	Enable/Disable the XHCI (USB 3.0) Hand-off support. Options available: Enabled/Disabled. Default setting is Enabled .
USB Mass Storage Driver Support ^(Note)	Enable/Disable the USB Mass Storage Driver Support. Options available: Enabled/Disabled. Default setting is Enabled .
Port 60/64 Emulation	Enables the I/O port 60h/64h emulation support. This should be enabled for the complete USB Keyboard Legacy support for non-USB aware OS. Options available: Enabled/Disabled. Default setting is Enabled .

(Note) This item is present only if you attach USB devices.

5-2-16 Chipset Configuration

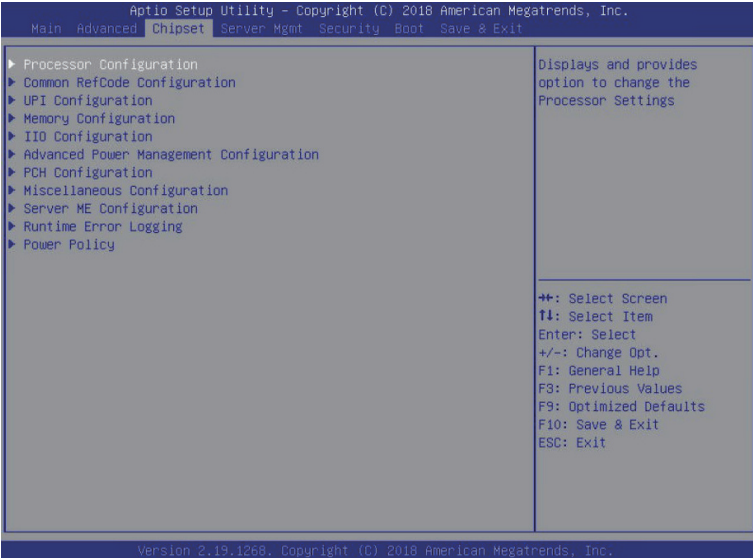


Parameter	Description
Restore on AC Power Loss ^(Note)	Defines the power state to resume to after a system shutdown that is due to an interruption in AC power. When set to Last State, the system will return to the active power state prior to shutdown. When set to Power Off, the system remains off after power shutdown. Options available: Last State/Power Off/Power On. The default setting depends on the BMC setting.
Skip Above 4G Decoding for VGA	Enable/Disable 64bit capable devices to be decoded in Skip Above 4G Address VGA Space. Options available: Enabled/Disabled. Default setting is Disabled .
P2P Bridge IO Size	Sets P2P Bridge IO aligned to the size. Options available: 0x100/0x150/0x1000. Default setting is 0x1000 .
Chassis Opened Warning	Enable/Disable the chassis intrusion alert function. Options available: Enabled/Disabled/Clear. Default setting is Disabled .

(Note) When the power policy is controlled by BMC, please wait for 15-20 seconds for BMC to save the last power state.

5-3 Chipset Setup Menu

Chipset Setup menu displays submenu options for configuring the function of North Bridge and South Bridge. Select a submenu item, then press <Enter> to access the related submenu screen.



5-3-1 Processor Configuration

Aptio Setup Utility - Copyright (C) 2018 American Megatrends, Inc.

Chipset

Processor Configuration

▶ Per-Socket Configuration

	Socket 0	Socket 1
Processor Socket	Socket 0	Socket 1
Processor ID	00050654*	00050654
Processor Frequency	2.100GHz	2.100GHz
Processor Max Ratio	15H	15H
Processor Min Ratio	0AH	0AH
Microcode Revision	02000043	02000043
L1 Cache RAM	64KB	64KB
L2 Cache RAM	1024KB	1024KB
L3 Cache RAM	39424KB	39424KB
Processor 0 Version	Intel(R) Xeon(R) Platin um 8176F CPU @ 2.10GHz	
Processor 1 Version	Intel(R) Xeon(R) Platin um 8176F CPU @ 2.10GHz	

Hyper-Threading [ALL] [Enable]

Enable Intel(R) TXT [Disable]

VMX [Enable]

Enable SMX [Disable]

Hardware Prefetcher [Enable]

Adjacent Cache Prefetch [Enable]

DCU Streamer Prefetcher [Enable]

DCU IP Prefetcher [Enable]

Change Per-Socket Settings

++: Select Screen
 T1: Select Item
 Enter: Select
 +/-: Change Opt.
 F1: General Help
 F3: Previous Values
 F9: Optimized Defaults
 F10: Save & Exit
 ESC: Exit

Version 2.19.1268, Copyright (C) 2018 American Megatrends, Inc.

Aptio Setup Utility - Copyright (C) 2018 American Megatrends, Inc.

Chipset

▶ Per-Socket Configuration

	Socket 0	Socket 1
Processor Socket	Socket 0	Socket 1
Processor ID	00050654*	00050654
Processor Frequency	2.100GHz	2.100GHz
Processor Max Ratio	15H	15H
Processor Min Ratio	0AH	0AH
Microcode Revision	02000043	02000043
L1 Cache RAM	64KB	64KB
L2 Cache RAM	1024KB	1024KB
L3 Cache RAM	39424KB	39424KB
Processor 0 Version	Intel(R) Xeon(R) Platin um 8176F CPU @ 2.10GHz	
Processor 1 Version	Intel(R) Xeon(R) Platin um 8176F CPU @ 2.10GHz	

Hyper-Threading [ALL] [Enable]

Enable Intel(R) TXT [Disable]

VMX [Enable]

Enable SMX [Disable]

Hardware Prefetcher [Enable]

Adjacent Cache Prefetch [Enable]

DCU Streamer Prefetcher [Enable]

DCU IP Prefetcher [Enable]

AES-NI [Enable]

Enable/disable AES-NI support

++: Select Screen
 T1: Select Item
 Enter: Select
 +/-: Change Opt.
 F1: General Help
 F3: Previous Values
 F9: Optimized Defaults
 F10: Save & Exit
 ESC: Exit

Version 2.19.1268, Copyright (C) 2018 American Megatrends, Inc.

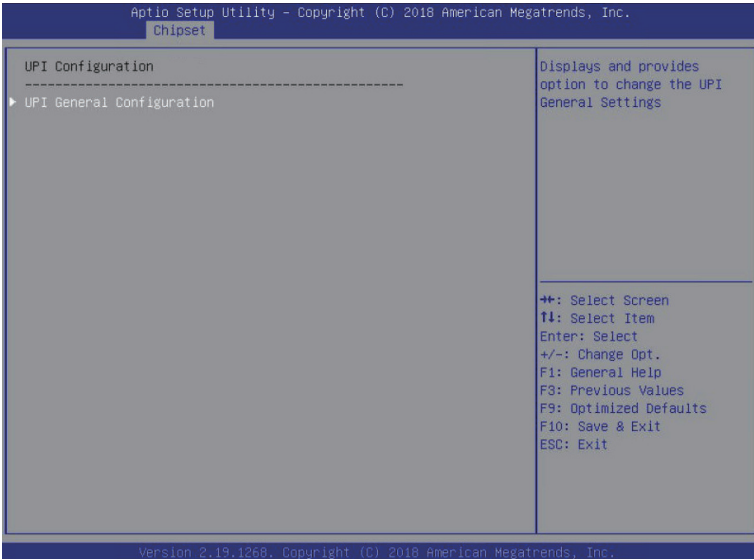
Parameter	Description
Processor Configuration	
Pre-Socket Configuration	<p>Press [Enter] to configure advanced items.</p> <ul style="list-style-type: none"> ◆ CPU Socket 0/1 Configuration <ul style="list-style-type: none"> – Press [Enter] to configure advanced items. ◆ Core Disable Bitmap(Hex) (for CPU socket 0/1) <ul style="list-style-type: none"> – Number of Cores to enable. 0 means all cores. FFFFFFFF means to disable all cores. The maximum value depends on the number of CPUs available. Press the numeric keys to adjust desired values.
Processor Socket / Processor ID / Processor Frequency / Processor Max Ratio / Processor Min Ratio / Microcode Revision / L1 Cache RAM / L2 Cache RAM / L3 Cache RAM / Processor 0 Version / Processor 1 Version	Displays the technical specifications for the installed processor(s).
Hyper-Threading [All]	<p>The Hyper Threading Technology allows a single processor to execute two or more separate threads concurrently. When hyper-threading is enabled, multi-threaded software applications can execute their threads, thereby improving performance.</p> <p>Options available: Enable/Disable. Default setting is Enable.</p>
Enable Intel(R) TXT	<p>Enables or disables the Intel Trusted Execution Technology support function.</p> <p>Options available: Enable/Disable. Default setting is Disable.</p>
VMX (Vanderpool Technology)	<p>Enable/Disable the Vanderpool Technology. This will take effect after rebooting the system.</p> <p>Options available: Enable/Disable. Default setting is Enable.</p>
Enable SMX	<p>Enable/Disable the Secure Mode Extensions (SMX) support function.</p> <p>Options available: Enable/Disable. Default setting is Disable.</p>
Hardware Prefetcher	<p>Select whether to enable the speculative prefetch unit of the processor.</p> <p>Options available: Enable/Disable. Default setting is Disable.</p>
Adjacent Cache Prefetch	<p>When enabled, cache lines are fetched in pairs. When disabled, only the required cache line is fetched.</p> <p>Options available: Enable/Disable. Default setting is Enable.</p>
DCU Streamer Prefetcher	<p>Prefetches the next L1 data line based upon multiple loads in same cache line.</p> <p>Options available: Enable/Disable. Default setting is Enable.</p>
DCU IP Prefetcher	<p>Prefetches the next L1 Data line based upon sequential load history.</p> <p>Options available: Enable/Disable. Default setting is Enable.</p>
AES-NI	<p>Enable/Disable the AES-NI (Intel Advanced Encryption Standard New Instructions) support function.</p> <p>Options available: Enable/Disable. Default setting is Enable.</p>

5-3-2 Common RefCode Configuration



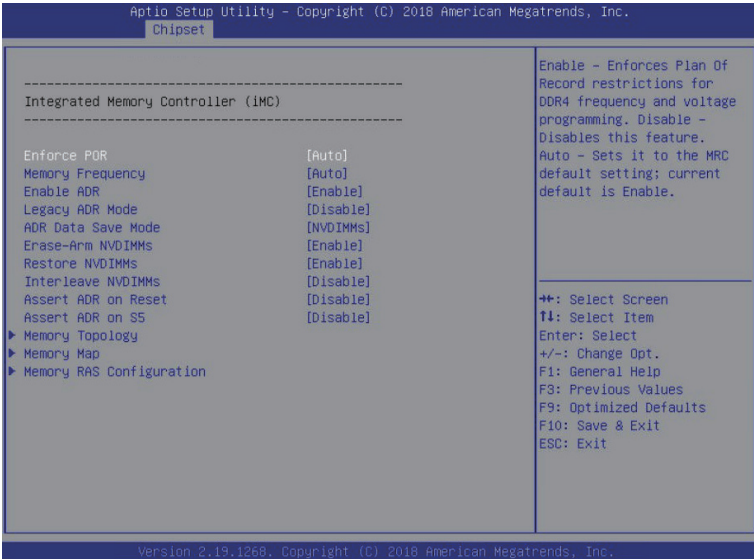
Parameter	Description
Common RefCode Configuration	
MMIO High Base	Selects the MMIO High Base setting. Options available: 56T/40T/24T/16T/4T/1T. Default setting is 56T .
MMIO High Granularity Size	Selects the allocation size used to assign mmioh resources. Total mmioh space can be up to 32xgranularity. Per stack mmioh resource assignments are multiples of the granularity where 1 unit per stack is the default allocation. Options available: 1G/4G/16G/64G/256G/1024G. Default setting is 256G .
Isoc Mode	Options available: Auto/Enable/Disable. Default setting is Auto .
Numa (Non-Uniform Memory Access)	Enable/Disable Non-uniform Memory Access (NUMA). Options available: Enable/Disable. Default setting is Enable .

5-3-3 UPI Configuration



Parameter	Description
UPI Configuration	
UPI General Configuration	<p>Press [Enter] to configure advanced items.</p> <ul style="list-style-type: none"> ◆ UPI Status <ul style="list-style-type: none"> – Press [Enter] to view the UPI status. ◆ Link Frequency Select <ul style="list-style-type: none"> – Selects the UPI link frequency. – Options available: 9.6GB/10.4GB/Auto. Default setting is Auto. ◆ SNC <ul style="list-style-type: none"> – Enable/Disable SNC. – Options available: Disable/Enable/Auto. Default setting is Disable. ◆ Stale AtoS <ul style="list-style-type: none"> – Enable/Disable Stale A to S Dir optimization. – Options available: Disable/Enable/Auto. Default setting is Disable. ◆ LLC dead line alloc <ul style="list-style-type: none"> – Enable/Disable LLC dead line alloc. – Options available: Disable/Enable/Auto. Default setting is Auto.

5-3-4 Memory Configuration



Parameter	Description
Integrated Memory Controller (iMC)	
Enforce POR	When set to Enable, the system enforces Plan Of Record restrictions for DDR4 frequency and voltage programming. When set to Auto, the system sets it to the MRC default settings. Options available: Auto/POR/Disable. Default setting is Enable .
Memory Frequency	Configures the memory frequency. Options available: Auto/2133/2400/2666. Default setting is Auto .
Enable ADR	Enables the detecting and enabling of ADR. Options available: Enable/Disable. Default setting is Enable .
Legacy ADR Mode	Enable/Disable the Legacy ADR Mode. Options available: Enable/Disable. Default setting is Disable .
ADR Data Save Mode	Data Save Mode for ADR, Batterybacked or Type 01 NVDIMM. Options available: Disable/Batterybacked DIMMs/NVDIMMs. Default setting is NVDIMMs .
Erase-ARM NVDIMMs	Enable/Disable Erasing and Arming NVDIMMs. Options available: Enable/Disable. Default setting is Enable .
Restore NVDIMMs	Enable/Disable Automatic restoring of NVDIMMs. Options available: Enable/Disable. Default setting is Enable .

Parameter	Description
Interleave NVDIMMs	Controls if NVDIMMs are interleaved together or not. Options available: Enable/Disable. Default setting is Disable .
Assert ADR on Reset	Enable/Disable Assert ADR on Reset. Options available: Enable/Disable. Default setting is Disable .
Assert ADR on S5	Enable/Disable Assert ADR on S5. Options available: Enable/Disable. Default setting is Disable .
Memory Topology	Press [Enter] to configure advanced items.
Memory Map	Press [Enter] to configure advanced items. <ul style="list-style-type: none"> ◆ IMC Interleaving <ul style="list-style-type: none"> – Select to configure IMC Interleaving. – Options available: Auto/1-way Interleave/2-way Interlave. Default setting is Auto.
Memory RAS Configuration	Press [Enter] to configure advanced items. <ul style="list-style-type: none"> ◆ RAS Type <ul style="list-style-type: none"> – Displays the RAS type. ◆ Static Virtual Lockstep Mode <ul style="list-style-type: none"> – Enable/Disable the Static Virtual Lockstep mode. – Options available: Disable/Enable. Default setting is Disable. ◆ Mirror Mode <ul style="list-style-type: none"> – Mirror Mode will set entire 1LM/2LM memory in system to be mirrored, consequently reducing the memory capacity by half. Enables the Mirror Mode will disable the XPT Prefetch. – Options available: Disable/Mirror Mode 1LM/Mirror Mode 2LM. Default setting is Disable. ◆ Memory Rank Sparing <ul style="list-style-type: none"> – Enable/Disable Memory Rank Sparing. – Options available: Disable/Enable. Default setting is Disable. ◆ Correctable Error Threshold <ul style="list-style-type: none"> – Correctable Error Threshold (1-32767) used for sparing, tagging, and leaky bucket. – Press the <+> / <-> keys to increase or decrease the desired values. ◆ SDDC Plus One <ul style="list-style-type: none"> – Enable/Disable SDDC Plus One. – Options available: Disable/Enable. Default setting is Disable.

5-3-5 IIO Configuration



Parameter	Description
IIO Configuration	
Intel® VT for Directed I/O (VT-d)	<p>Press [Enter] to configure advanced items.</p> <ul style="list-style-type: none"> ◆ Intel® VT for Directed I/O (VT-d) <ul style="list-style-type: none"> – Enable/Disable the Intel VT for Directed I/O (VT-d) support function by reporting the I/O device assignment to VMM through DMAR ACPI Tables. – Options available: Enable/Disable. Default setting is Enable. ◆ ACS Control <ul style="list-style-type: none"> – Enable: Programs ACS only to Chipset Pcie Root Ports Bridges. – Disable: Programs ACS to all PCIe bridges. – Default setting is Enable. ◆ Interrupt Remapping <ul style="list-style-type: none"> – Enable/Disable the interrupt remapping support function. – Options available: Enable/Disable. Default setting is Enable. ◆ PassThrough DMA <ul style="list-style-type: none"> – Enable/Disable the Non-Isocch VT_D Engine PassThrough DMA support function. – Options available: Enable/Disable. Default setting is Enable. ◆ ATS <ul style="list-style-type: none"> – Enable/Disable Non-Isocch VT_D Engine ATS support. – Options available: Enable/Disable. Default setting is Enable.

Parameter	Description
Intel® VT for Directed I/O (VT-d) (continued)	<ul style="list-style-type: none"> ◆ Post Interrupt <ul style="list-style-type: none"> – Enable/Disable VT_D posted interrupt. – Options available: Enable/Disable. Default setting is Enable. ◆ Coherency Support (Non-Isoch) <ul style="list-style-type: none"> – Enable/Disable Non-Isoch VT_D Engine Coherency support. – Options available: Enable/Disable. Default setting is Enable.
Intel® VMD technology	<p data-bbox="387 335 719 357">Press [Enter] to configure advanced items.</p> <ul style="list-style-type: none"> ◆ Intel® VMD technology ◆ Intel® VMD Configuration <ul style="list-style-type: none"> – Enable/Disable the Intel VMD support function. – Options available: Enable/Disable. Default setting is Disable.
MCTP	<p data-bbox="387 489 929 511">Enable/Disable MCTP (Management Component Transport Protocol).</p> <p data-bbox="387 515 863 537">Options available: Enable/Disable. Default setting is Disable.</p>

5-3-6 Advanced Power Management Configuration



Parameter	Description
Advanced Power Management Configuration	
CPU P State Control	<p>Press [Enter] to configure advanced items.</p> <ul style="list-style-type: none"> ◆ SpeedStep (Pstates) <ul style="list-style-type: none"> – Conventional Intel SpeedStep Technology switches both voltage and frequency in tandem between high and low levels in response to processor load. – Options available: Enable/Disable. Default setting is Enable. ◆ Turbo Mode <ul style="list-style-type: none"> – When this item is enabled, the processor will automatically ramp up the clock speed of 1-2 of its processing cores to improve its performance. When this item is disabled, the processor will not overclock any of its core. – Options available: Enable/Disable. Default setting is Enable.

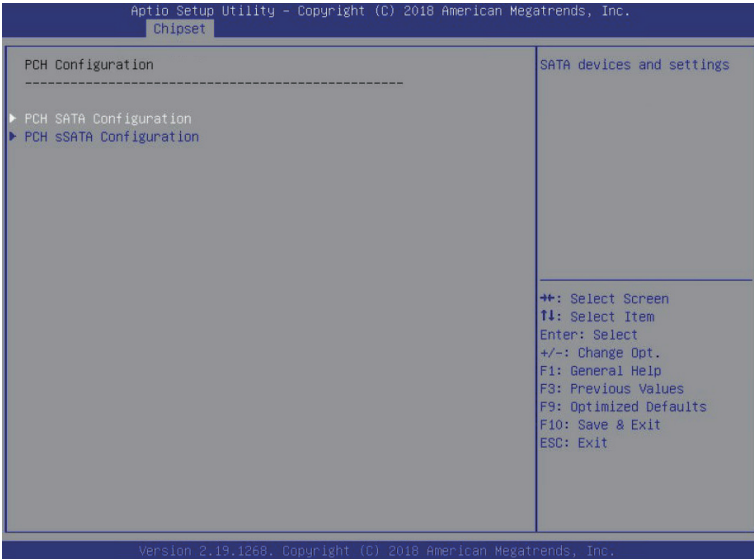
Parameter	Description
Hardware PM State Control	<p>Press [Enter] to configure advanced items.</p> <ul style="list-style-type: none"> ◆ Hardware P-States <ul style="list-style-type: none"> – When this item is disabled, the processor hardware chooses a P-state based on OS Request (Legacy P-States). – In Native mode, the processor hardware chooses a P-state based on OS guidance. – In Out of Band mode, the processor hardware autonomously chooses a P-state (with no OS guidance). – Options available: Disable/Native Mode/Out of Band Mode/Native Mode with No Legacy Support. Default setting is Native Mode.
CPU C State Control	<p>Press [Enter] to configure advanced items.</p> <ul style="list-style-type: none"> ◆ Autonomous Core C-State <ul style="list-style-type: none"> – Enable/Disable the Autonomous Core C-State Control. – Options available: Enable/Disable. Default setting is Disable. ◆ CPU C6 Report <ul style="list-style-type: none"> – Allows you to determine whether to let the CPU enter C6 mode in system halt state. When enabled, the CPU core frequency and voltage will be reduced during system halt state to decrease power consumption. The C6 state is a more enhanced power-saving state than C1. – Options available: Disable/Enable/Auto. Default setting is Auto. ◆ Enhanced Halt State (C1E)^(Note) <ul style="list-style-type: none"> – Core C1E auto promotion control. Takes effect after reboot. – Options available: Enable/Disable. Default setting is Enable. ◆ OS ACPI Cx <ul style="list-style-type: none"> – Reports CPU C3/C6 to OS ACPI C2 or ACPI C3. – Options available: ACPI C2/ACPI C3. Default setting is ACPI C2.
Package C State Control	<p>Configures the state for the C-State package limit. Options available: C0/C1 state/C2 state/C6 (non Retention) state/C6 (Retention) state/No Limit/Auto. Default setting is Auto.</p>

(Note) Advanced items prompt when this item is defined.

Parameter	Description
CPU - Advanced PM Tuning	<p>Press [Enter] to configure advanced items.</p> <ul style="list-style-type: none"> ◆ Energy Perf BIAS <ul style="list-style-type: none"> – Enters the Energy Perf BIAS submenu. ◆ Power Performance Tuning^(Note) <ul style="list-style-type: none"> – Tunes the Power Performance Configuration mode. When enabled, uses IA32_ENERGY_PERF_BIAS input from the core. When disabled, uses alternate performance BIAS input from ENERGY_PERF_BIAS_CONFIG. – Options available: OS Controls EPB/BIOS Controls EPB. Default setting is OS Controls EPB. ◆ Energy_PERF_BIAS_CFG mode <ul style="list-style-type: none"> – Selects the Energy Performance Bias Configuration Mode. – Options available: Performance/Balanced Performance/Balanced Power/Power. Default setting is Balanced Performance. – Please note that this item is configurable when Power Performance Tuning is set to BIOS Controls EPB.

(Note) Advanced items prompt when this item is defined.

5-3-7 PCH Configuration



Parameter	Description
PCH Configuration	<p>Press [Enter] to configure advanced items.</p> <ul style="list-style-type: none"> ◆ SATA Controller <ul style="list-style-type: none"> – Enable/Disable SATA controller. – Options available: Enable/Disable. Default setting is Enable. ◆ Configure SATA as <ul style="list-style-type: none"> – Configures on chip SATA type. – AHCI Mode: When set to AHCI, the SATA controller enables its AHCI functionality. Then the RAID function is disabled and cannot be access the RAID setup utility at boot time. – RAID Mode: When set to RAID, the SATA controller enables both its RAID and AHCI functions. You will be allowed to access the RAID setup utility at boot time. – Options available: AHCI/RAID. Default setting is AHCI. ◆ Alternate Device ID on RAID^(Note 1) <ul style="list-style-type: none"> – Enable/Disable Alternate Device ID on RAID mode. – Options available: Enable/Disable. Default setting is Disabled – Please note that this option appears when HDD is in RAID Mode. ◆ SATA Port 0/1/2/3/4/5/6/7 <ul style="list-style-type: none"> – The category identifies SATA hard drives that are installed in the computer. System will automatically detect HDD type.
PCH SATA Configuration	

Parameter	Description
PCH SATA Configuration (continued)	<ul style="list-style-type: none"> ◆ Port 0/1/2/3/4/5/6/7 <ul style="list-style-type: none"> – Enable/Disable Port 0/1/2/3/4/5/6/7 device. – Options available: Enable/Disable. Default setting is Enable. ◆ Hot Plug (for Port 0/1/2/3/4/5/6/7)^(Note 2) <ul style="list-style-type: none"> – Enable/Disable HDD Hot-Plug function. – Options available: Enable/Disable. Default setting is Disable. ◆ Spin Up Device (for Port 0/1/2/3/4/5/6/7)^(Note 2) <ul style="list-style-type: none"> – On an edge detect from 0 to 1, the PCH starts a COM reset initialization to the device. – Options available: Enable/Disable. Default setting is Disable.
PCH sSATA Configuration	<ul style="list-style-type: none"> ◆ sSATA Controller <ul style="list-style-type: none"> – Enable/Disable sSATA controller. – Options available: Enable/Disable. Default setting is Enable. ◆ Configure sSATA as <ul style="list-style-type: none"> – Configures on chip SATA type. – AHCI Mode: When set to AHCI, the SATA controller enables its AHCI functionality. Then the RAID function is disabled and cannot be access the RAID setup utility at boot time. – RAID Mode: When set to RAID, the SATA controller enables both its RAID and AHCI functions. You will be allowed to access the RAID setup utility at boot time. – Options available: AHCI/RAID. Default setting is AHCI. ◆ Alternate Device ID on RAID^(Note 1) <ul style="list-style-type: none"> – Enable/Disable Alternate Device ID on RAID mode. – Options available: Enable/Disable. Default setting is Disabled. – Please note that this option appears when HDD is in RAID Mode. ◆ sSATA Port 0/1/2/3/4/5 <ul style="list-style-type: none"> – The category identifies sSATA hard drives that are installed in the computer. System will automatically detect HDD type. ◆ Port 0/1/2/3/4/5 <ul style="list-style-type: none"> – Enable/Disable Port 0/1/2/3/4/5 device. – Options available: Enable/Disable. Default setting is Enable. ◆ Hot Plug (for Port 0/1/2/3/4/5)^(Note 2) <ul style="list-style-type: none"> – Enable/Disable HDD Hot-Plug function. – Options available: Enable/Disable. Default setting is Disable. ◆ Spin Up Device (for Port 0/1/2/3/4/5)^(Note 2) <ul style="list-style-type: none"> – On an edge detect from 0 to 1, the PCH starts a COM reset initialization to the device. – Options available: Enable/Disable. Default setting is Disabled.

(Note 1) Only appears when HDD sets to **RAID** Mode.

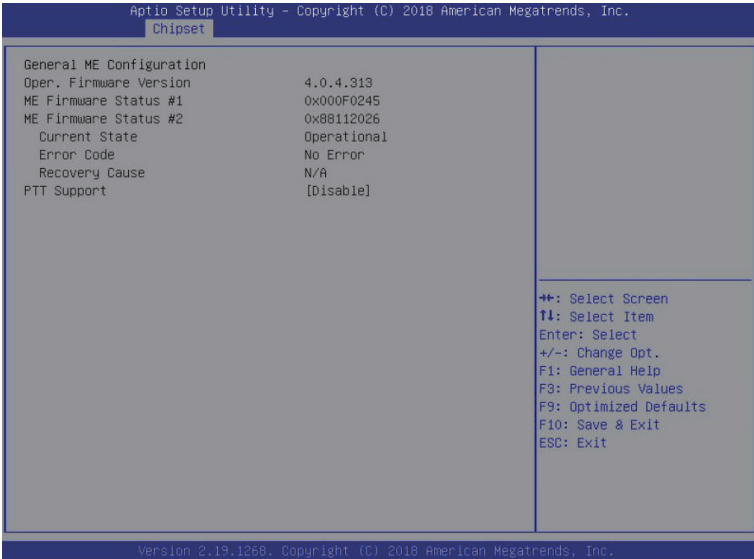
(Note 2) Only Supported when HDD is in **AHCI** or **RAID** Mode.

5-3-8 Miscellaneous Configuration



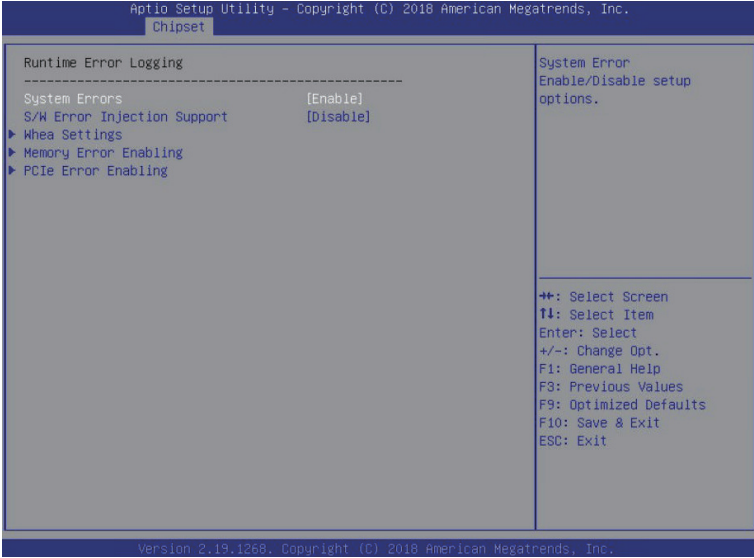
Parameter	Description
Miscellaneous Configuration	
Active Video	Selects the active video type. Options available: Auto/Onboard Device/PCIe Device. Default setting is Auto .

5-3-9 Server ME Configuration



Parameter	Description
General ME Configuration	
Operational Firmware Version	Selects the active video type. Options available: Auto/Onboard Device/PCIE Device. Default setting is Auto .
ME Firmware Status #1/#2	Displays ME Firmware status information.
Current State (for ME Firmware)	Displays ME Firmware current status information.
Error Code (for ME Firmware)	Displays ME Firmware status error code.
Recovery Cause (for ME Firmware)	Displays ME Firmware recovery cause.
PTT Support	Displays if the system supports the Intel® Platform Trust Technology.

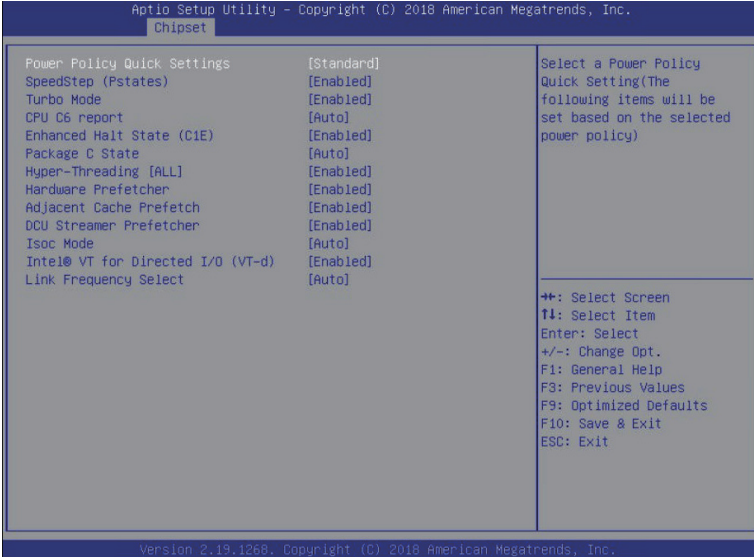
5-3-10 Runtime Error Logging



Parameter	Description
Runtime Error Logging	
System Errors	Enable/Disable system error logging function. Options available: Enable/Disable. Default setting is Enable .
S/W Error Injection Support	Enable/Disable software injection error logging function. Options available: Enable/Disable. Default setting is Disable .
Whea Settings	Press [Enter] to configure advanced items. <ul style="list-style-type: none"> ◆ WHEA (Windows Hardware Error Architecture) Support <ul style="list-style-type: none"> – Enable/Disable WHEA Support. – Options available: Enable/Disable. Default setting is Enable.
Memory Error Enabling	Press [Enter] to configure advanced items. <ul style="list-style-type: none"> ◆ Memory Error <ul style="list-style-type: none"> – Enable/Disable Memory Error. – Options available: Enable/Disable. Default setting is Enable. ◆ Memory Corrected Error <ul style="list-style-type: none"> – Enable/Disable Memory Corrected Error. – Options available: Enable/Disable. Default setting is Enable. ◆ Uncorrected Error disable Memory <ul style="list-style-type: none"> – Enable/Disable the Memory that triggers Uncorrected Error. – Options available: Enable/Disable. Default setting is Disable.

Parameter	Description
PCIe Error Enabling	<p data-bbox="317 153 646 174">Press [Enter] to configure advanced items.</p> <ul style="list-style-type: none"> <li data-bbox="317 185 846 263">◆ Corrected Error <ul style="list-style-type: none"> <li data-bbox="354 213 804 233">– Enables and escalates Correctable Errors to error pins. <li data-bbox="354 241 846 261">– Options available: Enable/Disable. Default setting is Enable. <li data-bbox="317 271 929 349">◆ Uncorrected Error <ul style="list-style-type: none"> <li data-bbox="354 299 929 319">– Enables and escalates Uncorrectable/Recoverable Errors to error pins. <li data-bbox="354 327 846 348">– Options available: Enable/Disable. Default setting is Enable. <li data-bbox="317 357 846 435">◆ Fatal Error Enable <ul style="list-style-type: none"> <li data-bbox="354 385 753 406">– Enables and escalates Fatal Errors to error pins. <li data-bbox="354 413 846 434">– Options available: Enable/Disable. Default setting is Enable. <li data-bbox="317 443 846 522">◆ SERR Propagation <ul style="list-style-type: none"> <li data-bbox="354 471 650 492">– Enable/Disable SERR propagation. <li data-bbox="354 500 846 520">– Options available: Enable/Disable. Default setting is Enable. <li data-bbox="317 529 846 608">◆ PERR Propagation <ul style="list-style-type: none"> <li data-bbox="354 558 650 578">– Enable/Disable PERR propagation. <li data-bbox="354 586 846 606">– Options available: Enable/Disable. Default setting is Enable.

5-3-11 Power Policy



Parameter	Description
Power Policy Quick Settings	Selects a Power Policy Quick Setting. Options available: Standard/Best Performance/Energy Efficient
SpeedStep (Pstates)	Conventional Intel SpeedStep Technology switches both voltage and frequency in tandem between high and low levels in response to processor load. Options available: Enable/Disable. Default setting is Enable .
Turbo Mode	When this item is enabled, the processor will automatically ramp up the clock speed of 1-2 of its processing cores to improve its performance. When this item is disabled, the processor will not overclock any of its core. Options available: Enable/Disable. Default setting is Enable .
CPU C6 report	Allows you to determine whether to let the CPU enter C6 mode in system halt state. When enabled, the CPU core frequency and voltage will be reduced during system halt state to decrease power consumption. The C6 state is a more enhanced powersaving state than C1. Options available: Disable/Enable/Auto. Default setting is Auto .
Enhanced Halt State (C1E) ^(Note)	Core C1E auto promotion control. Takes effect after reboot. Options available: Enable/Disable. Default setting is Enable .

(Note) Advanced items prompt when this item is defined.

Parameter	Description
Package C State	Configures the state for the C-State package limit. Options available: C0/C1 state/C2 state/C6 (non Retention) state/C6 (Retention) state/No Limit/Auto. Default setting is Auto .
Hyper-Threading [ALL]	The Hyper Threading Technology allows a single processor to execute two or more separate threads concurrently. When hyper-threading is enabled, multi-threaded software applications can execute their threads, thereby improving performance. Options available: Enable/Disable. Default setting is Enable .
Hardware Prefetcher	Select whether to enable the speculative prefetch unit of the processor. Options available: Enable/Disable. Default setting is Disable .
Adjacent Cache Prefetch	When enabled, cache lines are fetched in pairs. When disabled, only the required cache line is fetched. Options available: Enable/Disable. Default setting is Enable .
DCU Streamer Prefetcher	Prefetches the next L1 data line based upon multiple loads in same cache line. Options available: Enable/Disable. Default setting is Enable .
Isoc Mode	Options available: Auto/Enable/Disable. Default setting is Auto .
Intel® VT for Directed I/O (VT-d)	Enable/Disable the Intel VT for Directed I/O (VT-d) support function by reporting the I/O device assignment to VMM through DMAR ACPI Tables. Options available: Enable/Disable. Default setting is Enable .
Link Frequency Select	Selects the UPI link frequency. Options available: 9.6GB/10.4GB/Auto. Default setting is Auto .

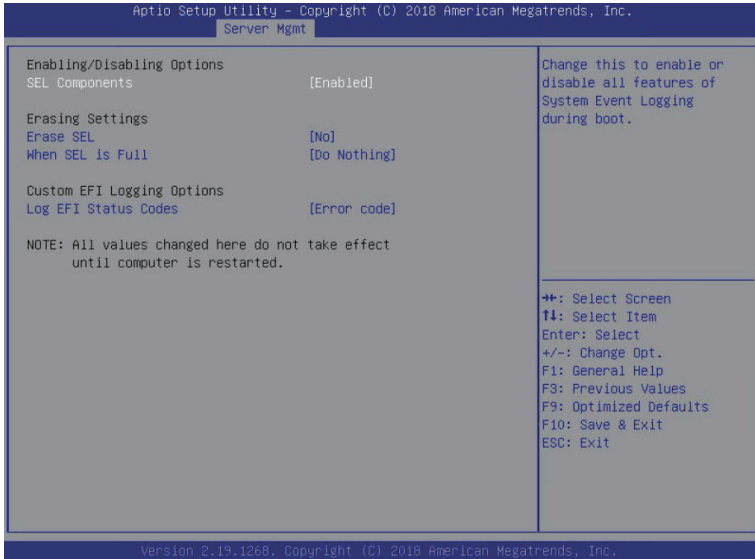
5-4 Server Management Menu



Parameter	Description
FRB-2 Timer	Enable/Disable FRB-2 timer (POST timer). Options available: Enabled/Disabled. Default setting is Disabled .
FRB-2 Timer timeout	Configure the FRB2 Timer timeout. Options available: 3 minutes/4 minutes/5 minutes/6 minutes. Default setting is 6 minutes . Please note that this item is configurable when FRB-2 Timer is set to Enabled.
FRB-2 Timer Policy	Configure the FRB2 Timer policy. Options available: Do Nothing/Reset/Power Down. Default setting is Do Nothing . Please note that this item is configurable when FRB-2 Timer is set to Enabled.
OS Watchdog Timer	Enable/Disable OS Watchdog Timer function. Options available: Enabled/Disabled. Default setting is Disabled .
OS Wtd Timer Timeout	Configure OS Watchdog Timer. Options available: 5 minutes/10 minutes/15 minutes/20 minutes. Default setting is 10 minutes . Please note that this item is configurable when OS Watchdog Timer is set to Enabled.
OS Wtd Timer Policy	Configure OS Watchdog Timer Policy. Options available: Reset/Do Nothing/Power Down. Default setting is Reset . Please note that this item is configurable when OS Watchdog Timer is set to Enabled.

Parameter	Description
System Event Log	Press [Enter] to configure advanced items.
View FRU Information	Press [Enter] to view the advanced items.
BMC network configuration	Press [Enter] to configure advanced items.
IPv6 BMC Network Configuration	Press [Enter] to configure advanced items.

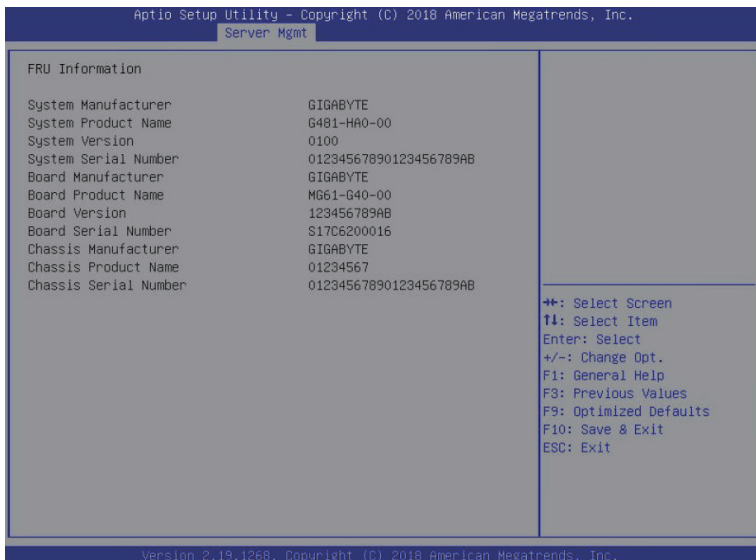
5-4-1 System Event Log



Parameter	Description
Enabling / Disabling Options	
SEL Components	Change this item to enable or disable all features of System Event Logging during boot. Options available: Enabled/Disabled. Default setting is Enabled .
Erasing Settings	
Erasing SEL	Choose options for erasing SEL. Options available: No/Yes, On next reset/Yes, On every reset. Default setting is No .
When SEL is Full	Choose options for reactions to a full SEL. Options available: Do Nothing/Erase Immediately. Default setting is Do Nothing .
Custom EFI Logging Options	
Log EFI Status Codes	Enable/Disable the logging of EFI Status Codes (if not already converted to legacy). Options available: Disabled/Both/Error code/Progress code. Default setting is Error code .

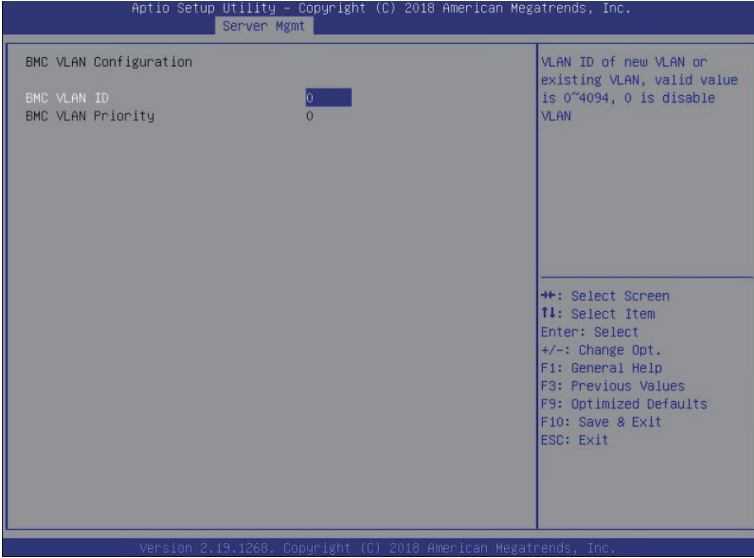
5-4-2 View FRU Information

The FRU page is a simple display page for basic system ID information, as well as System product information. Items on this window are non-configurable.



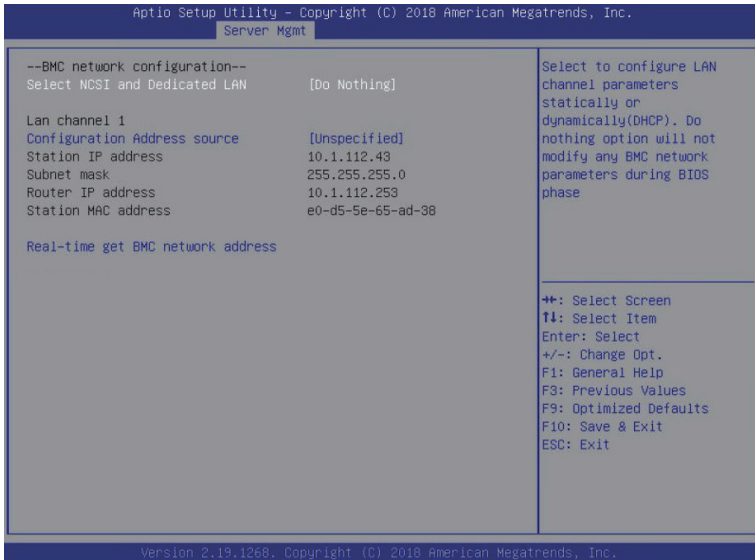
(Note) The model name will vary depends on the product you purchased

5-4-3 BMC VLAN Configuration



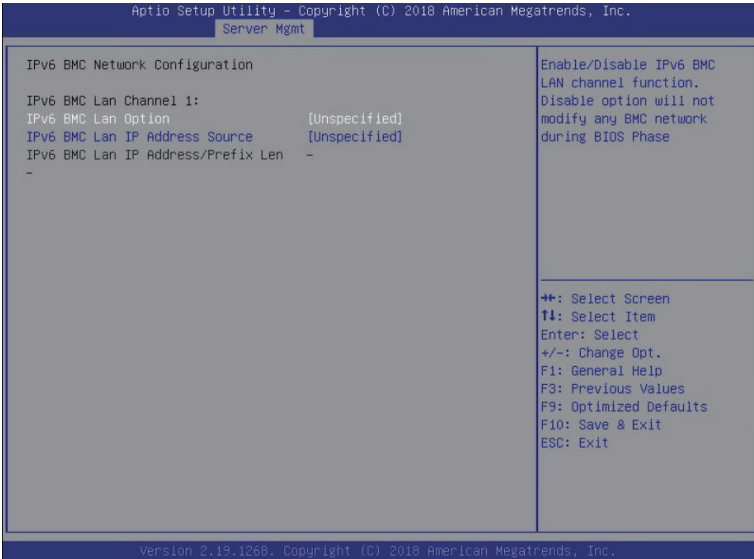
Parameter	Description
BMC VLAN Configuration	
BMC VLAN ID	Select to configure BMC VLAN ID. The valid range is from 0 to 4094. When set to 0, BMC VLAN ID will be disabled.
BMC VLAN Priority	Select to configure BMC VLAN Priority. The valid range is from 0 to 7. When BMC VLAN ID is set to 0, BMC VLAN Priority will not be selected.

5-4-4 BMC Network Configuration



Parameter	Description
BMC network configuration	
Select NCSI and Dedicated LAN	Switch NCSI and dedicated LAN and send KCS command. Options available: Do Nothing/Mode1 (Dedicated)/Mode2(NCSI)/Mode3 (Failover). Default setting is Mode1 (Dedicated) .
Lan Channel 1	
Configuration Address source	Select to configure LAN channel parameters statically or dynamically (DHCP). Do nothing option will not modify any BMC network parameters during BIOS phase. Options available: Unspecified/Static/DynamicBmcDhcp. Default setting is DynamicBmcDhcp .
Station IP address	Displays IP Address information.
Subnet mask	Displays Subnet Mask information. Please note that the IP address must be in three digitals, for example, 192.168.000.001.
Router IP address	Displays the Router IP Address information.
Station MAC address	Displays the MAC Address information.
Real-time synchronize BMC network parameter values	Press [Enter] to synchronize the BMC network parameter values.

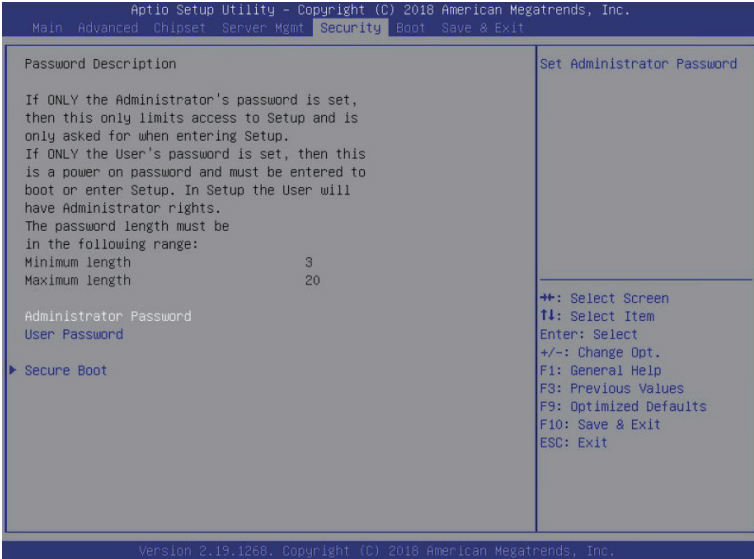
5-4-5 IPv6 BMC Network Configuration



Parameter	Description
IPv6 BMC Network Configuration	
IPv6 BMC Lan Channel 1	
IPv6 BMC Lan Option	Enable/Disable IPv6 BMC LAN channel function. When this item is disabled, the system will not modify any BMC network during BIOS phase. Options available: Enable/Disable. Default setting is Enable .
IPv6 BMC Lan IP Address Source	Select to configure LAN channel parameters statically or dynamically (by BIOS or BMC). Options available: Unspecified/Static/Dynamic-Obtained by BMC running DHCP. Default setting is Dynamic-Obtained by BMC running DHCP .
IPv6 BMC Lan IP Address/Prefix Length	Check if the IPv6 BMC LAN IP address matches those displayed on the screen.

5-5 Security Menu

The Security menu allows you to safeguard and protect the system from unauthorized use by setting up access passwords.



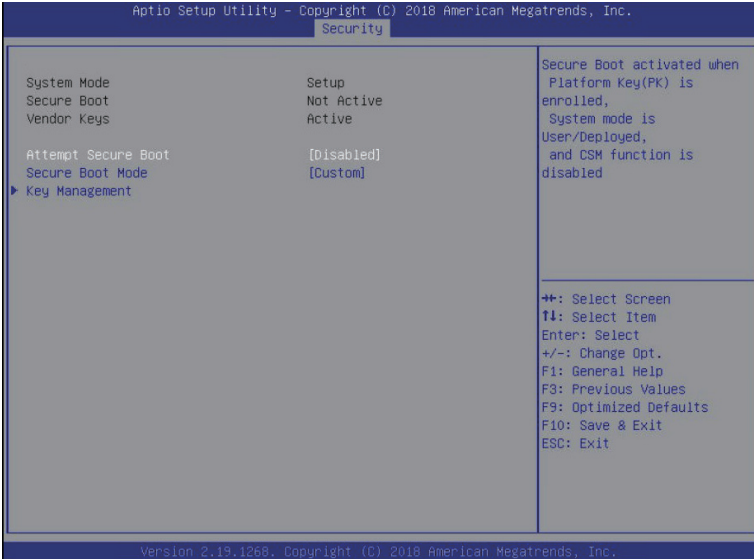
There are two types of passwords that you can set:

- Administrator Password
Entering this password will allow the user to access and change all settings in the Setup Utility.
- User Password
Entering this password will restrict a user's access to the Setup menus. To enable or disable this field, a Administrator Password must first be set. A user can only access and modify the System Time, System Date, and Set User Password fields.

Parameter	Description
Administrator Password	Press [Enter] to configure the administrator password.
User Password	Press [Enter] to configure the user password.
Secure Boot	Press [Enter] to configure advanced items.

5-5-1 Secure Boot

The Secure Boot submenu is applicable when your device is installed the Windows® 8 (or above) operating system.



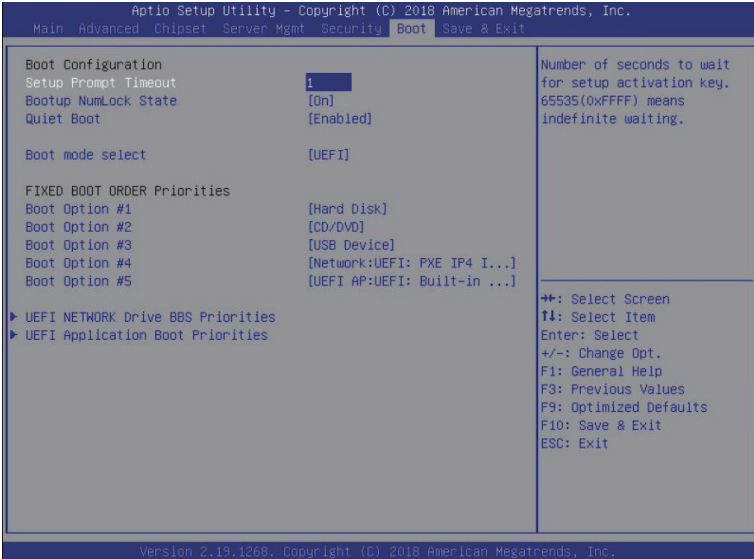
Parameter	Description
System Mode	Displays the system is in User mode or Setup mode.
Secure Boot	Displays the Secure Boot function is active or not active.
Vendor Keys	Displays the Vendor Keys function is active or not active.
Attempt Secure Boot	Secure Boot activated when Platform Key (PK) is enrolled, System mode is User/Deployed, and CSM function is disabled. Options available: Enabled/Disabled. Default setting is Disabled .
Secure Boot Mode ^(Note)	Secure Boot requires all the applications that are running during the booting process to be pre-signed with valid digital certificates. This way, the system knows all the files being loaded before Windows loads and gets to the login screen have not been tampered with. When set to Standard, it will automatically load the Secure Boot keys form the BIOS databases. When set to Custom, you can customize the Secure Boot settings and manually load its keys from the BIOS database. Options available: Standard/Custom. Default setting is Custom.

(Note) Advanced items prompt when this item is set to **Custom**.

Parameter	Description
Key Management	<p data-bbox="334 153 666 174">Press [Enter] to configure advanced items.</p> <p data-bbox="334 181 937 232">Please note that this item is configurable when Secure Boot Mode is set to Custom.</p> <ul style="list-style-type: none"> <li data-bbox="334 239 944 346">◆ Provision Factory Defaults <ul style="list-style-type: none"> <li data-bbox="370 268 944 318">– Allows to provision factory default Secure Boot keys when system is in Setup Mode. <li data-bbox="370 326 902 346">– Options available: Enabled/Disabled. Default setting is Disabled. <li data-bbox="334 354 926 429">◆ Install Factory Default Keys <ul style="list-style-type: none"> <li data-bbox="370 382 926 402">– Installs all factory default keys. It will force the system in User Mode. <li data-bbox="370 410 602 429">– Options available: Yes/No. <li data-bbox="334 437 902 512">◆ Enroll Efi Image <ul style="list-style-type: none"> <li data-bbox="370 465 902 512">– Press [Enter] to enroll SHA256 hash of the binary into Authorized Signature Database (db). <li data-bbox="334 520 876 570">◆ Save all Secure Boot variables <ul style="list-style-type: none"> <li data-bbox="370 551 876 570">– Press [Enter] to save all Secure Boot Keys and Key variables. <li data-bbox="334 578 898 624">◆ Secure Boot variable <ul style="list-style-type: none"> <li data-bbox="370 606 898 624">– Displays the current status of the variables used for secure boot. <li data-bbox="334 631 802 738">◆ Platform Key (PK) <ul style="list-style-type: none"> <li data-bbox="370 660 802 680">– Displays the current status of the Platform Key (PK). <li data-bbox="370 688 678 708">– Press [Enter] to configure a new PK. <li data-bbox="370 716 610 738">– Options available: Set New. <li data-bbox="334 746 944 878">◆ Key Exchange Keys (KEK) <ul style="list-style-type: none"> <li data-bbox="370 774 944 849">– Displays the current status of the Key Exchange Key Database (KEK). <li data-bbox="370 857 905 878">– Press [Enter] to configure a new KEK or load additional KEK from storage devices. <li data-bbox="370 885 678 906">– Options available: Set New/Append. <li data-bbox="334 901 948 1017">◆ Authorized Signatures (DB) <ul style="list-style-type: none"> <li data-bbox="370 929 905 950">– Displays the current status of the Authorized Signature Database. <li data-bbox="370 958 948 1017">– Press [Enter] to configure a new DB or load additional DB from storage devices. <li data-bbox="370 1025 678 1045">– Options available: Set New/Append. <li data-bbox="334 1028 902 1160">◆ Forbidden Signatures (DBX) <ul style="list-style-type: none"> <li data-bbox="370 1056 902 1077">– Displays the current status of the Forbidden Signature Database. <li data-bbox="370 1085 902 1144">– Press [Enter] to configure a new dbx or load additional dbx from storage devices. <li data-bbox="370 1152 678 1172">– Options available: Set New/Append. <li data-bbox="334 1168 929 1299">◆ Authorized TimeStamps (DBT) <ul style="list-style-type: none"> <li data-bbox="370 1196 929 1216">– Displays the current status of the Authorized TimeStamps Database. <li data-bbox="370 1224 905 1284">– Press [Enter] to configure a new DBT or load additional DBT from storage devices. <li data-bbox="370 1292 678 1312">– Options available: Set New/Append. <li data-bbox="334 1307 919 1439">◆ OsRecovery Signatures <ul style="list-style-type: none"> <li data-bbox="370 1335 919 1356">– Displays the current status of the OsRecovery Signature Database. <li data-bbox="370 1364 887 1423">– Press [Enter] to configure a new OsRecovery Signature or load additional OsRecovery Signature from storage devices. <li data-bbox="370 1431 678 1451">– Options available: Set New/Append.

5-6 Boot Menu

The Boot menu allows you to set the drive priority during system boot-up. BIOS setup will display an error message if the legacy drive(s) specified is not bootable.

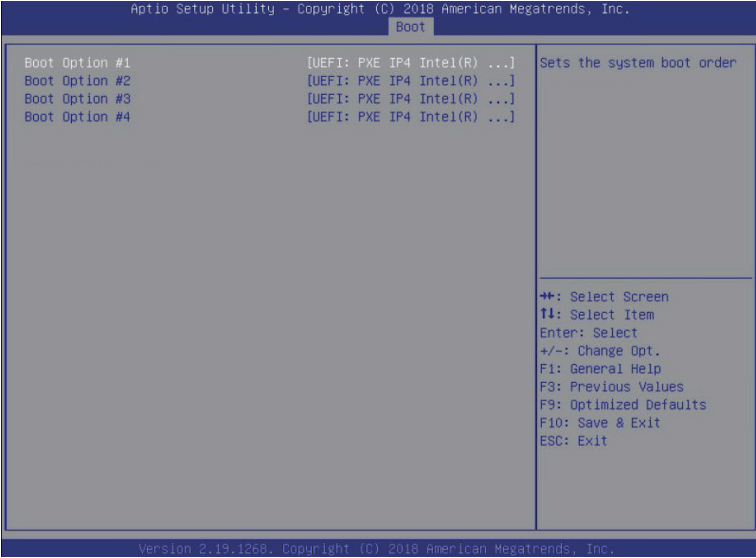


Parameter	Description
Boot Configuration	
Setup Prompt Timeout	Number of seconds to wait for setup activation key. 65535 (0xFFFF) means indefinite waiting. Press the numeric keys to input the desired values.
Bootup NumLock State	Enable/Disable the Bootup NumLock function. Options available: On/Off. Default setting is On .
Quiet Boot	Enable/Disable showing the logo during POST. Options available: Enabled/Disabled. Default setting is Enabled .
Boot mode select	Selects the boot mode. Options available: LEGACY/UEFI. Default setting is UEFI .

Parameter	Description
FIXED BOOT ORDER Priorities	
Boot Option #1 / #2 / #3 / #4 / #5	<p>Press [Enter] to configure the boot priority. By default, the server searches for boot devices in the following sequence:</p> <ol style="list-style-type: none"> 1. Hard drive. 2. CD-COM/DVD drive. 3. USB device. 4. Network. 5. UEFI.
UEFI Network Drive BBS Priorities	Press [Enter] to configure the boot priority.
UEFI Application Boot Priorities	Press [Enter] to configure the boot priority.

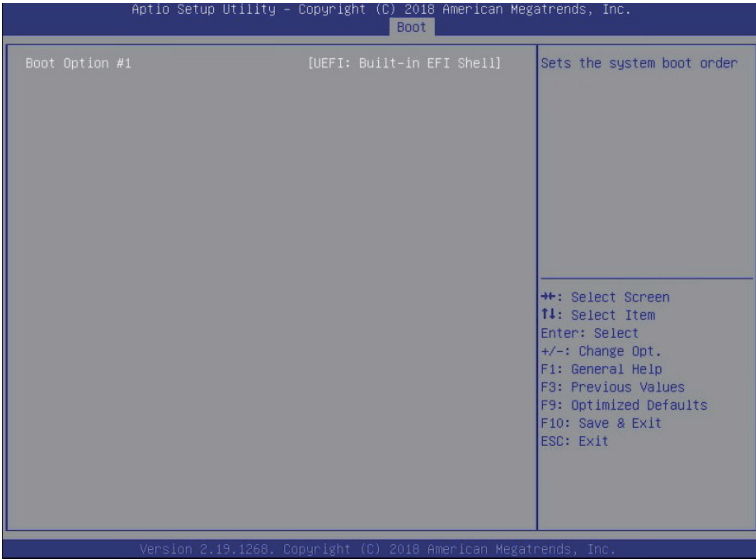
5-6-1 UEFI NETWORK Drive BBS Priorities

The UEFI network drive BBS priorities submenu allows you to specify the boot device priority from the available UEFI network drives during system boot-up. BIOS setup will display an error message if the legacy drive(s) specified is not bootable.



5-6-2 UEFI Application Boot Priorities

The UEFI application boot priorities submenu allows you to specify the boot device priority from the available UEFI applications during system boot-up. BIOS setup will display an error message if the legacy drive(s) specified is not bootable.



5-7 Save & Exit Menu

The Save & Exit menu displays the various options to quit from the BIOS setup. Highlight any of the exit options then press <Enter>.



Parameter	Description
Save Options	
Save Changes and Exit	Saves changes made and closes the BIOS setup. Options available: Yes/No.
Discard Changes and Exit	Discards changes made and exits the BIOS setup. Options available: Yes/No.
Save Changes and Reset	Restarts the system after saving the changes made. Options available: Yes/No.
Discard Changes and Reset	Restarts the system without saving any changes. Options available: Yes/No.
Save Changes	Saves changes made in the BIOS setup. Options available: Yes/No.
Discard Changes	Discards changes made and closes the BIOS setup. Options available: Yes/No.

Parameter	Description
Default Options	
Restore Defaults	<p>Loads the default settings for all BIOS setup parameters. Setup Defaults are quite demanding in terms of resources consumption. If you are using low-speed memory chips or other kinds of low-performance components and you choose to load these settings, the system might not function properly.</p> <p>Options available: Yes/No.</p>
Save as User Defaults	<p>Saves the changes made as the user default settings.</p> <p>Options available: Yes/No.</p>
Restore User Defaults	<p>Loads the user default settings for all BIOS setup parameters.</p> <p>Options available: Yes/No.</p>
Boot Override	<p>Press [Enter] to configure the device as the boot-up drive.</p>

5-8 BIOS POST Codes

5-8-1 AMI Standard - PEI

PEI_CORE_STARTED	0x10
PEI_CAR_CPU_INIT	0x11
PEI_CAR_NB_INIT	0x15
PEI_CAR_SB_INIT	0x19
PEI_MEMORY_SPD_READ	0x2B
PEI_MEMORY_PRESENCE_DETECT	0x2C
PEI_MEMORY_TIMING	0x2D
PEI_MEMORY_CONFIGURING	0x2E
PEI_MEMORY_INIT	0x2F
PEI_MEMORY_INSTALLED	0x31
PEI_CPU_INIT	0x32
PEI_CPU_CACHE_INIT	0x33
PEI_CPU_AP_INIT	0x34
PEI_CPU_BSP_SELECT	0x35
PEI_CPU_SMM_INIT	0x36
PEI_MEM_NB_INIT	0x37
PEI_MEM_SB_INIT	0x3B
PEI_DXE_IPL_STARTED	0x4F
DXE_CORE_STARTED	0x60
//Recovery	
PEI_RECOVERY_AUTO	0xF0
PEI_RECOVERY_USER	0xF1
PEI_RECOVERY_STARTED	0xF2
PEI_RECOVERY_CAPSULE_FOUND	0xF3
PEI_RECOVERY_CAPSULE_LOADED	0xF4
//S3	
PEI_S3_STARTED	0xE0
PEI_S3_BOOT_SCRIPT	0xE1
PEI_S3_VIDEO_REPOST	0xE2
PEI_S3_OS_WAKE	0xE3
DXE_CORE_STARTED	0x60
DXE_NVRAM_INIT	0x61
DXE_SBRUN_INIT	0x62

5-8-2 AMI Standard - DXE

DXE_CPU_INIT	0x63
DXE_NB_HB_INIT	0x68
DXE_NB_INIT	0x69
DXE_NB_SMM_INIT	0x6A
DXE_SB_INIT	0x70
DXE_SB_SMM_INIT	0x71
DXE_SB_DEVICES_INIT	0x72

DXE_ACPI_INIT	0x78
DXE_CSM_INIT	0x79
DXE_BDS_STARTED	0x90
DXE_BDS_CONNECT_DRIVERS	0x91
DXE_PCI_BUS_BEGIN	0x92
DXE_PCI_BUS_HPC_INIT	0x93
DXE_PCI_BUS_ENUM	0x94
DXE_PCI_BUS_REQUEST_RESOURCES	0x95
DXE_PCI_BUS_ASSIGN_RESOURCES	0x96
DXE_CON_OUT_CONNECT	0x97
DXE_CON_IN_CONNECT	0x98
DXE_SIO_INIT	0x99
DXE_USB_BEGIN	0x9A
DXE_USB_RESET	0x9B
DXE_USB_DETECT	0x9C
DXE_USB_ENABLE	0x9D
DXE_IDE_BEGIN	0xA0
DXE_IDE_RESET	0xA1
DXE_IDE_DETECT	0xA2
DXE_IDE_ENABLE	0xA3
DXE_SCSI_BEGIN	0xA4
DXE_SCSI_RESET	0xA5
DXE_SCSI_DETECT	0xA6
DXE_SCSI_ENABLE	0xA7
DXE_SETUP_VERIFYING_PASSWORD	0xA8
DXE_SETUP_START	0xA9
DXE_SETUP_INPUT_WAIT	0xAB
DXE_READY_TO_BOOT	0xAD
DXE_LEGACY_BOOT	0xAE
DXE_EXIT_BOOT_SERVICES	0xAF
RT_SET_VIRTUAL_ADDRESS_MAP_BEGIN	0xB0
RT_SET_VIRTUAL_ADDRESS_MAP_END	0xB1
DXE_LEGACY_OPROM_INIT	0xB2
DXE_RESET_SYSTEM	0xB3
DXE_USB_HOTPLUG	0xB4
DXE_PCI_BUS_HOTPLUG	0xB5
DXE_NVRAM_CLEANUP	0xB6
DXE_CONFIGURATION_RESET	0xB7

5-8-3 AMI Standard - ERROR

PEI_MEMORY_INVALID_TYPE	0x50
PEI_MEMORY_INVALID_SPEED	0x50
PEI_MEMORY_SPD_FAIL	0x51
PEI_MEMORY_INVALID_SIZE	0x52
PEI_MEMORY_MISMATCH	0x52
PEI_MEMORY_NOT_DETECTED	0x53
PEI_MEMORY_NONE_USEFUL	0x53
PEI_MEMORY_ERROR	0x54
PEI_MEMORY_NOT_INSTALLED	0x55
PEI_CPU_INVALID_TYPE	0x56
PEI_CPU_INVALID_SPEED	0x56
PEI_CPU_MISMATCH	0x57
PEI_CPU_SELF_TEST_FAILED	0x58
PEI_CPU_CACHE_ERROR	0x58
PEI_CPU_MICROCODE_UPDATE_FAILED	0x59
PEI_CPU_NO_MICROCODE	0x59
PEI_CPU_INTERNAL_ERROR	0x5A
PEI_CPU_ERROR	0x5A
PEI_RESET_NOT_AVAILABLE	0x5B
//Recovery	
PEI_RECOVERY_PPI_NOT_FOUND	0xF8
PEI_RECOVERY_NO_CAPSULE	0xF9
PEI_RECOVERY_INVALID_CAPSULE	0xFA
//S3 Resume	
PEI_MEMORY_S3_RESUME_FAILED	0xE8
PEI_S3_RESUME_PPI_NOT_FOUND	0xE9
PEI_S3_BOOT_SCRIPT_ERROR	0xEA
PEI_S3_OS_WAKE_ERROR	0xEB
DXE_CPU_ERROR	0xD0
DXE_NB_ERROR	0xD1
DXE_SB_ERROR	0xD2
DXE_ARCH_PROTOCOL_NOT_AVAILABLE	0xD3
DXE_PCI_BUS_OUT_OF_RESOURCES	0xD4
DXE_LEGACY_OPROM_NO_SPACE	0xD5
DXE_NO_CON_OUT	0xD6
DXE_NO_CON_IN	0xD7
DXE_INVALID_PASSWORD	0xD8
DXE_BOOT_OPTION_LOAD_ERROR	0xD9
DXE_BOOT_OPTION_FAILED	0xDA
DXE_FLASH_UPDATE_FAILED	0xDB
DXE_RESET_NOT_AVAILABLE	0xDC

5-8-4 Intel UPI POST Codes

Initialize KTIRC inuput structure default values	0xA0
Collect info such as SBSP, Boot Mode, Reset type etc	0xA1
Setup IO SADs in SBSP to access the config space	0xA2
Setup up minimum path between SBSP & other sockets Add the node to the tree Parse the LEP of the discovered socket Check if the system has the supported topology Setup the boot path for the parent which is not directly connected to Legacy CPU Setup path from SBSP to the new found node	0xA3
Setup IO SADs in PBSP to access the config space	0xA4
System configurations that require some kind of reset	0xA5
Sync up with PBSPs	0xA6
Topology discovery and route calculation	0xA7
Program final route	0xA8
Program final IO SAD setting	0xA9
Protocol layer and other Uncore settings	0xAA
Transition links to full speed operation	0xAB
Phy layer settings	0xAC
Link layer settings	0xAD
Coherency Settings	0xAE
KTIRC is done	0xAF

5-8-5 Intel UPI Error Codes

When system BSP tries to setup path for remote sockets or sends a Boot_Go command to remote socket in SetupSbspPathToAllSockets() or SyncUpPbspForReset(). If the remote socket(s) hasn't checked-in, assert; it is a fatal condition, this error will be logged. No retry. <i>RC Behavior: System Halt</i>	0xD8
When SBSP tries to add this remote socket into system topology tree in SetupSbspPathToAllSockets(), there are some errors occur in the data structure. No retry. <i>RC Behavior: The current Socket is not added to the tree.</i> When SBSP setups the boot path for the parent which is not directly connected to Legacy CPU in SetupSbspPathToAllSockets(). The Child is not an immediate neighbor of Parent. No retry.	0xDA

SAD setup error <i>RC Behavior: System Halt</i>	0xDB
Unsupported topology <i>RC Behavior: System Halt</i>	0xDC
SBSP cannot find KPIRC TXEQ Parameters for this link in GetSocketLinkEparams(). No retry. <i>RC Behavior: System Halt</i>	0xDD

5-8-6 Intel MRC POST Codes

Detect DIMM population	0xB0
Set DDR frequency	0xB1
Gather remaining SPD data	0xB2
Program registers on the memory controller level	0xB3
Evaluate RAS modes and save rank information	0xB4
Program registers on the channel level	0xB5
DDRIO Initialization	0xB6
Train DDR	0xB7
Initialize CLTT/OLTT	0xB8
Hardware memory test and init	0xB9
Execute memory init	0xBA
Program memory map and interleaving	0xBB
Program RAS configuration	0xBC
Rank margin tool	0xBD
MRC is done	0xBF

5-8-7 Intel MRC Error Codes

No memory was detected	0xE8
Memory test failure	0xEB
Different dimm types are detected installed in the system	0xED
Number of HAs found in system greater than MAX_HA defined in MRC build	0xEE
Indicates a CLTT table structure error	0xEF
Invalid VR mode, unable to set DRAM VDD	0xF0
Failure occurred reserving memory for IOT	0xF1
Reference code assert	0xF2
Unsupported MC frequency set	0xF3
Unable to get current MC frequency	0xF4

5-8-8 Intel PM POST Codes

Start of PPM structure initialization	0xD0
PPM CSR programming	0xD1
PPM MSR programming	0xD2
Start of PState transition init	0xD3
PPM exit	0xD4
PPM On ready to boot event	0xD5

5-8-9 Intel PM POST Codes

Start of IIO early Initialization	0xE0
Pre Link training	0xE1
Start of Gen3 EQ training	0xE2
Start of PState transition init	0xE3
Gen3 parameters override	0xE4
End of IIO Early Initialization	0xE5
Start of IIO Late initialization	0xE6
PCIE port initialization	0xE7
IOAPIC initialization	0xE8
VTD initialization	0xE9
IOAT initialization	0xEA
DFX initialization	0xEB
NTB initialization	0xEC
Security Initialization	0xED
IIO late initialization	0xEE
IIO On ready to boot event	0xEF

5-9 BIOS POST Beep code (AMI standard)

5-9-1 PEI Beep Codes

# of Beeps	Description
1	Memory not Installed.
1	Memory was installed twice (InstallPeiMemory routine in PEI Core called twice)
2	Recovery started
3	DXE IPL was not found
3	DXE Core Firmware Volume was not found
4	Recovery failed
4	S3 Resume failed
7	Reset PPI is not available

5-9-2 DXE Beep Codes

# of Beeps	Description
1	Invalid password
4	Some of the Architectural Protocols are not available
5	No Console Output Devices are found
5	No Console Input Devices are found
6	Flash update is failed
7	Reset protocol is not available
8	Platform PCI resource requirements cannot be met

5-10 BIOS Recovery Instruction

The system has an embedded recovery technique. In the event that the BIOS becomes corrupt the boot block can be used to restore the BIOS to a working state. To restore your BIOS, please follow the instructions listed below:

Recovery Instruction:

1. Change xxx.ROM to amiboot.rom.
2. Copy amiboot.rom and AFUDOS.exe to USB diskette.
3. Setting BIOS Recovery jump to enabled status.
4. Boot into BIOS recovery.
5. Run Proceed with flash update.
6. BIOS update.

