

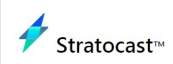


# FD9387-HTV-A

Fixed Dome Network Camera

5MP 30fps • 2MP 60fps • Smart Stream III • SNV • WDR Pro • 50M IR • Smart IR II • Smart VCA

- 30 fps @ 2560x1920, 60 fps @ 1920x1080
- H.265 Compression Technology
- Smart Stream III to Optimize Bandwidth Efficiency
- SNV (Supreme Night Visibility) for Low Light Conditions
- WDR Pro for Unparalleled Visibility in Extremely Bright and Dark Environments
- Built-in IR Illuminators, Effective up to 50 Meters
- Smart IR II Technology to Avoid Overexposure
- Smart Motion Detection to Reduce False Alarms
- Smart VCA (Intrusion Detection, Loitering Detection, Line Crossing Detection)
- Trend Micro IoT Security
- Weather-proof IP66, IP67 and Vandal-proof IK10-rated Housing



# Technical Specifications

## System Information

Model	FD9387-HTV-A
CPU	Multimedia SoC (System-on-Chip)
Flash	256MB
RAM	1GB

## Camera Features

Image Sensor	1/2.7" Progressive CMOS
Max. Resolution	2560x1920 (5MP)
Lens Type	Motorized, Vari-focal, Remote Focus
Focal Length	f = 2.7 ~ 13.5 mm
Aperture	F1.4 ~ F2.8
Auto-iris	P-iris
Field of View	30 ~ 100° (Horizontal) 23 ~ 72° (Vertical) 38 ~ 135° (Diagonal)
Shutter Time	1/5 sec. to 1/32,000 sec.
WDR Technology	WDR Pro
Day/Night	Yes
Removable IR-cut Filter	Yes
IR Illuminators	Built-in IR illuminators, effective up to 50 meters with Smart IR II, IR LED*4
Minimum Illumination	0.075 Lux @ F1.4 (Color) <0.01 lux @ F1.4 (B/W) 0 Lux with IR illumination on
Pan Range	350°
Tilt Range	80°
Rotation Range	±175°
Pan/Tilt/Zoom Functionalities	ePTZ: 48x digital zoom (4x on IE plug-in, 12x built-in)
On-board Storage	Slot type: MicroSD/SDHC/SDXC card slot Seamless Recording

## Video

Video Compression	H.265, H.264, MJPEG
Maximum Frame Rate	30 fps @ 2560x1920 (WDR Pro on) 30 fps @ 2560x1440 (WDR Pro on) 60 fps @ 1920x1080 (WDR Pro off)
Maximum Streams	3 simultaneous streams
S/N Ratio	57 dB
Dynamic Range	120 dB
Video Streaming	Adjustable resolution, quality and bit rate control, Smart Stream III
Image Settings	Time stamp, text overlay, flip and mirror, configurable brightness, contrast, saturation, sharpness, white balance, exposure control, gain, backlight compensation, privacy masks, scheduled profile settings, HLC, defog, 3DNR, video rotation

## Audio

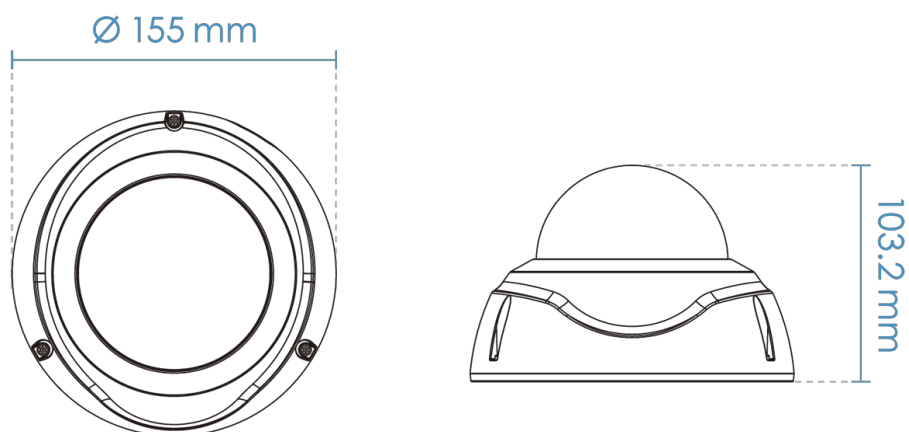
Audio Capability	Two-way Audio (full duplex)
Audio Compression	G.711, G.726
Audio Interface	Built-in microphone External microphone input External line output
Effective Range	5 meters

## Network

Users	Live viewing for up to 10 clients
Protocols	802.1X, ARP, CIFS/SMB, CoS, DDNS, DHCP, DNS, FTP, HTTP, HTTPS, ICMP, IGMP, IPv4, IPv6, NTP, PPPoE, QoS, RTSP/RTP/RTCP, SMTP, SNMP, SSL, TCP/IP, TLS, UDP, UPnP

Interface	10 Base-T/100 Base-TX Ethernet (RJ-45) *It is highly recommended to use standard CAT5e & CAT6 cables which are compliant with the 3P/ETL standard.
ONVIF	Supported, specification available at <a href="http://www.onvif.org">www.onvif.org</a>
<b>Solution Integration</b>	
Smart Motion Detection	Five-window video motion detection, people detection, time filter
Smart VCA	Intrusion detection, loitering detection, line crossing detection, unattended object detection, missing object detection, face detection *Please access <a href="http://license.vivotek.com/">http://license.vivotek.com/</a> to get the free trial license.
VADP Package	Deep Learning VCA (Smart Motion Detection, Smart VCA), Stratocast, Trend Micro IoT Security
<b>Alarm and Event</b>	
Alarm Triggers	Motion detection, manual trigger, digital input, periodical trigger, system boot, recording notification, camera tampering detection, audio detection, shock detection, SD card life expectancy, cybersecurity events (brute force attack event, cyberattack event, quarantine event)
Alarm Events	Event notification via audio clip, digital output, email, HTTP, FTP, NAS server, SD card File upload via email, HTTP, FTP, NAS server, SD card
<b>General</b>	
Connectors	RJ-45 cable connector for 10/100Mbps Network/PoE connection Audio line input Audio line output AC 24V power input (Optional) DC 12V power input Digital input *2 Digital output *2 TV out
LED Indicator	System power and status indicator
Power Input	AC 24V (Optional) DC 12V IEEE 802.3af PoE Class 0 (Power Redundancy)
Power Consumption	PoE: Max. 12 W DC 12V: Max. 9 W AC 24V: Max. 10.5 W
Dimensions	Ø 155 x 103.2 mm
Weight	909 g
Casing	IP66, IP67, IK10
Safety Certifications	CE, FCC Class A, UL, LVD, VCCI, C-Tick, BIS
Operating Temperature	Starting Temperature: -10°C ~ 50°C (14°F ~ 122°F) Working Temperature (IR on): -30°C ~ 50°C (-22°F ~ 122°F) Working Temperature (IR off): -30°C ~ 60°C (-22°F ~ 140°F)
Humidity	98%
Warranty	36 Months
<b>System Requirements</b>	
Operating System	Microsoft Windows 8/7 Mac 10.12 (Chrome only)
Web Browser	Chrome 58.0 or above Internet Explorer 11
Other Players	VLC: 1.1.11 or above
<b>Included Accessories</b>	
Others	Quick installation guide, warranty card, alignment sticker, screw pack, conduit ring, desiccant bag, waterproof accessory bag

## Dimensions



## Compatible Accessories

### Mounting Kits



AM-21A  
L-shape Bracket

### Mounting Kits



AM-51C  
Adapting Plate

### Mounting Kits



AM-525  
Mounting Adapter

### Mounting Kits



AM-713  
Conduit Box (IP66)