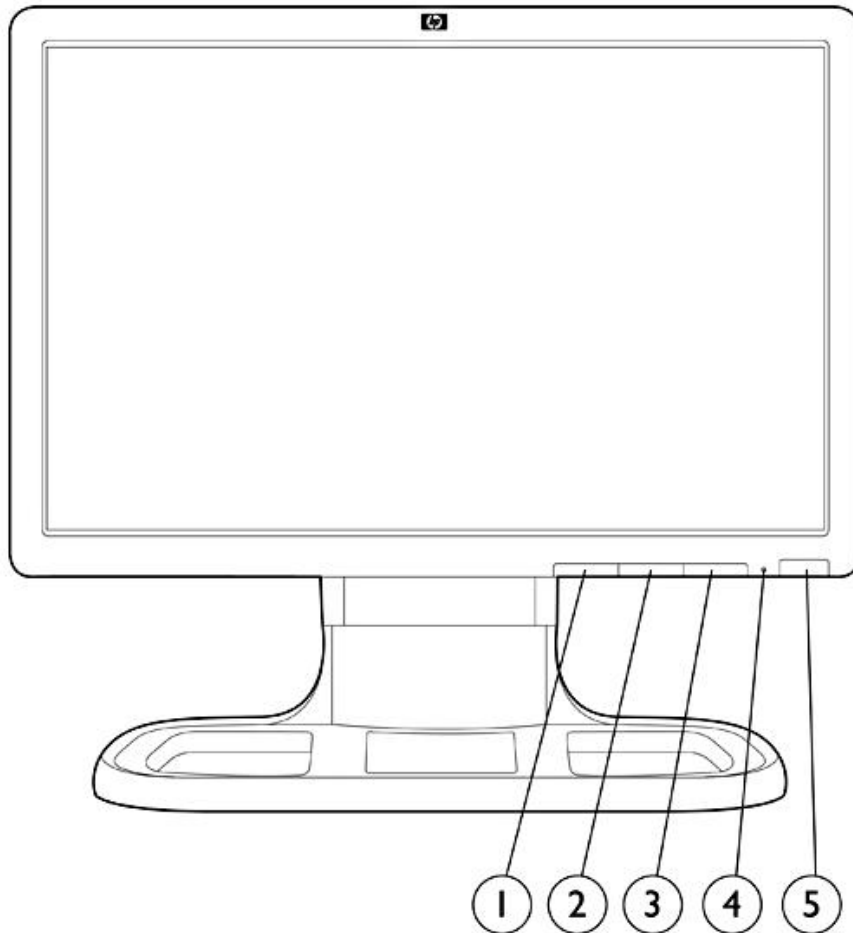


## Technical Specifications

### HP L1908wi 19-inch Widescreen LCD Monitor with IWC Stand



1. **Menu/select:** Opens, selects or exits the OSD menu.
2. **"-"/Auto:** Navigates backward through the OSD menu and decreases adjustment levels; when the OSD menu is inactive, activates the auto adjustment feature to optimize the screen image.
3. **"+":** Navigates forward through the OSD menu and increases adjustment levels.
4. **Power LED:** fully powered = green; sleep mode = amber; sleep timer mode = flashing amber.
5. **Power:** Turns the monitor on or off.

## Model

GP537AA

Panel	Type	19-in (48.25-cm) Wide-Aspect Active Matrix TFT (thin film transistor)
	Viewable Image Area (diagonal)	19 in (48.25 cm) wide (WXGA+); diagonally measured
	Screen Opening (W x H)	16.1 x 10.1 in (40.98 x 25.67 cm)

### Technical Specifications

Viewing Angle (typical)	Up to 160° horizontal/160° vertical (10:1 minimum contrast ratio)
Brightness (typical)*	300 nits (cd/m <sup>2</sup> )
Contrast Ratio (typical)*	1000:1
Response Time (typical)*	≤5 ms (on/off)
Pixel Pitch	.285 mm
Backlight Lamp Life (to half brightness)	50 K hours

\*All performance specifications represent the typical specifications provided by HP's component manufacturers; actual performance may vary either higher or lower.

On Screen Display (OSD) Controls	Buttons or Switches	Auto adjust/OSD down, OSD UP, OSD menu select, power
	Languages	English, French, German, Spanish, Italian, Dutch, and Japanese, S. Chinese
	User Controls	Brightness, contrast, positioning, color temperature (6500k, 9300k, custom), individual color control, serial number, display, clock, clock phase, monitor management, factory reset, zoom
Signal Interface/ Performance	Horizontal Frequency	24 to 83 kHz
	Vertical Frequency	50 to 76 Hz
	Native Resolution	1440 x 900 @ 60 Hz
	Preset VESA Graphic Modes (non-interlaced)	1280 x 1024 @ 60 Hz and 75 Hz
		1024 x 768 @ 60 Hz and 75 Hz
		800 x 600 @ 60 Hz and 75 Hz
		640 x 480 @ 60 Hz and 75 Hz
	Text Mode	720 x 400 @ 70 Hz
	Mac Mode	1152 x 870 @ 75 Hz and 832 x 624 @ 75 Hz
	Sun Mode	1152 x 900 @ 66 Hz
	Maximum Pixel Clock Speed	140 MHz (analog input)
	User Programmable Modes	Yes, 10
	Anti-Glare	Yes
Anti-Static	Yes	
Default Color Temperature	6500 K	
Video/Other Inputs	Plug and Play	Yes
	Self Powered USB 2.0 Hub	No
	Input Signal	VGA
	Input Impedance	75 ohms ± 10%
	Sync Input	TTL separate synch or Composite Sync
	VGA Cable	15 pin D-sub VGA
	VGA Cable Length	5.9 ft (1.8 m)
Power	Input Power	Auto-Sensing, 100 to 240 VAC, 50 +/-3 Hz to 60 +/-3 Hz)
	Frequency	45 to 63 Hz
	Typical Power Consumption	37 watts
	Maximum	50 watts
Power Saving	2 watts standby; 1 watt off	

### Technical Specifications

	Power Cable Length	6.2 ft (1.9 m)		
Mechanical	Dimensions (H x W x D)	Unpacked w/stand (stand lowered)	14.06 x 17.56 x 10.24 in (35.7 x 44.6 x 26.02 cm)	
		Unpacked w/stand (stand raised)	19.37 x 17.56 x 10.24 in (49.2 x 44.6 x 26.02 cm)	
		Unpacked w/o stand (head only)	11.9 x 17.6 x 2.3 in (30.1 x 44.6 x 5.9 cm)	
		Packaged	16.57 x 22.13 x 13.54 in (42.1 x 56.2 x 34.4 cm)	
		Weight	Unpacked	16.53 lb (7.5 kg)
		Head only	9.3 lb (4.2 kg)	
		Packaged	22.05 lb (10.0 kg)	
		Tilt Range	-3° to + 20° vertical	
		Swivel Range	-180° to 180° horizontal	
		Height Adjustable	Yes, 5.3 in (13.5 cm)	
	Pivot Rotation	No		
	Base	Detachable, ships attached		
Environmental	Temperature - Operating	41° to 104° F (5° to 40° C)		
	Temperature - Non-operating	-29° to 140° F (-34° to 60° C)		
	Humidity - Operating	20% to 80% non-condensing		
	Humidity - Non-operating	5% to 95%, 38.7° C max wet-bulb		
	Altitude - Operating	+12,000 ft (3,658 m)		
	Altitude - Non-operating	+40,000 ft (12,192 m)		
Environmental Data	Eco-Label Certifications and Declarations	<p>This product has received or is in the process of being certified to the following approvals and may be labeled with one or more of these marks:</p> <ul style="list-style-type: none"> <li>• ENERGY STAR®</li> <li>• US Federal Energy Management Program (FEMP)</li> <li>• IT ECO declaration</li> <li>• TCO 03</li> <li>• Taiwan Green Mark</li> <li>• CECP</li> <li>• EU Flower (2001/686/EC &amp; 2001/687/EC)</li> <li>• GEEA</li> </ul>		

### Technical Specifications

Energy Consumption (in accordance with ENERGY STAR® test method)	AC Input Voltage at 100 VAC +/- 5 VAC, 50 Hz +/- 3 Hz	AC Input Voltage at 115 VAC +/- 5 VAC, 60 Hz +/- 3 Hz	AC Input Voltage at 230 VAC +/- 5 VAC, 50 Hz +/- 3 Hz
Normal Operation	36 watts	37 watts	37 watts
Sleep	2 watts	2 watts	2 watts
Off	1 watt	1 watt	1 watt
Heat Dissipation*	AC Input Voltage at 100 VAC +/- 5 VAC, 50 Hz +/- 3 Hz	AC Input Voltage at 115 VAC +/- 5 VAC, 60 Hz +/- 3 Hz	AC Input Voltage at 230 VAC +/- 5 VAC, 50 Hz +/- 3 Hz
Normal Operation	123 BTU/hr	123 BTU/hr	123 BTU/hr
Sleep	6.82 BTU/hr	6.82 BTU/hr	6.82 BTU/hr
Off	3.41 BTU/hr	3.41 BTU/hr	3.41 BTU/hr

\*NOTE: Heat dissipation is calculated based on the measured watts, assuming the service level is attained for one hour.

#### Ergonomics

The monitor meets the ergonomic requirement of EN-ISO 13406-2 for flat panel displays.

#### Additional Information

This product is in compliance with the Restrictions of Hazardous Substances (RoHS) Directive, 2002/95/EC.

This HP product is designed to comply with the Waste Electrical and Electronic Equipment (WEEE) Directive, 2002/96/EC.

Plastics parts weighing over 25 grams used in the product are marked per ISO 11469 and ISO1043.

Display meets the requirement for low frequency electromagnetic fields per TCO and prEN50279 A/B/C.

This product contains 0% recycled materials (by wt.)

This product is 95% recyclable when properly disposed of at end of life.

#### Packaging Materials

- Corrugated Carton 0.96 kg
- HDPE Bag 0.09 kg
- Polystyrene 0.55 kg

### Technical Specifications

#### Material Usage

This product does not contain any of the following substances in excess of regulatory limits (refer to the HP General Specification for the Environment at

[http://www.hp.com/hpinfo/globalcitizenship/environment/supplychain/gen\\_specifications.html](http://www.hp.com/hpinfo/globalcitizenship/environment/supplychain/gen_specifications.html)

- Asbestos
- Certain Azo Colorants
- Certain Brominated Flame Retardants – may not be used as flame retardants in plastics
- Cadmium
- Chlorinated Hydrocarbons
- Chlorinated Paraffins
- Formaldehyde
- Halogenated Diphenyl Methanes
- Lead carbonates and sulfates
- Lead and Lead compounds
- Mercuric Oxide Batteries
- Nickel – finishes must not be used on the external surface designed to be frequently handled or carried by the user.
- Ozone Depleting Substances
- Polybrominated Biphenyls (PBBs)
- Polybrominated Biphenyl Ethers (PBBEs)
- Polybrominated Biphenyl Oxides (PBBOs)
- Polychlorinated Biphenyl (PCB)
- Polychlorinated Terphenyls (PCT)
- Polyvinyl Chloride (PVC) – except for wires and cables, and certain retail packaging has been voluntarily removed from most applications.
- Radioactive Substances
- Tributyl Tin (TBT), Triphenyl Tin (TPT), Tributyl Tin Oxide (TBTO)

#### Packaging

HP follows these guidelines to decrease the environmental impact of product packaging:

- Eliminate the use of heavy metals such as lead, chromium, mercury and cadmium in packaging materials.
- Eliminate the use of ozone-depleting substances (ODS) in packaging materials.
- Design packaging materials for ease of disassembly.
- Maximize the use of post-consumer recycled content materials in packaging materials.
- Use readily recyclable packaging materials such as paper and corrugated materials.
- Reduce size and weight of packages to improve transportation fuel efficiency.
- Plastic packaging materials are marked according to ISO 11469 and DIN 6120 standards.

#### End-of-life Management and Recycling

Hewlett-Packard offers end-of-life HP product return and recycling programs in many geographic areas. To recycle your product, please go to:

<http://www.hp.com/recycle> or contact your nearest HP sales office.

## Technical Specifications

Products returned to HP will be recycled, recovered or disposed of in a responsible manner.

### Hewlett-Packard Corporate Environmental Information

For more information about HP's commitment to the environment: Global Citizenship Report

<http://www.hp.com/hpinfo/globalcitizenship/gcreport/index.html>

Eco-label certifications

<http://www.hp.com/hpinfo/globalcitizenship/environment/productdesign/ecolabels.html>

ISO 14001 certificates:

<http://www.hp.com/hpinfo/globalcitizenship/environment/operations/envmanagement.html>

### Options

#### HP Silver LCD Speaker Bar – Part number: EE418AA

Powered directly by the connected PC, the Speaker Bar seamlessly attaches to the monitor's lower bezel to bring full audio support to select HP flat panel monitors. Features include dual speakers with full sound range and external jack for headphones. Sold separately. For more information, refer to the HP Speaker Bar QuickSpecs.

#### Kensington Security Lock—Part number PC766A

Combines aircraft-grade steel and Kevlar fiber to securely lock down your monitor and help prevent theft.

### Other

#### Accessories Included

VGA cable – connects the graphic card's VGA connector to the monitor's VGA input

#### Software

HP Display Assistant is a software utility that enables theft deterrence and allows monitor adjustment and color calibration using the Display Data Channel Command Interface (DDC/CI) protocol of the connected PC.

HP Display LiteSaver allows you to schedule Sleep mode at preset times to help protect the monitor against image retention, drastically lower power consumption and energy costs, and extend the lifespan of the monitor.

#### User Guide Languages

English, B. Portuguese, French, LA Spanish, Korean, S. Chinese, T. Chinese, Bahasa, Japanese, Danish, Finnish, German, Norwegian, Spanish, Swedish, Greek, Polish, Russian, Slovenian, Turkish

#### Warranty Languages

English, Canadian French, LA Spanish, Brazilian Portuguese, Danish, German, Castilian Spanish, French, Italian, Dutch, Norwegian, Finnish, Swedish, Bahasa Indonesian, Korean, T. Chinese, S. Chinese

#### Color

All carbonite

#### VESA External Mounting

Yes (Two sets of Standard 4 hole pattern, 100 mm) Use of the top VESA 4 hole pattern will allow the user to set monitor head lower to the desk surface

#### Kensington Lock-Ready

Yes

### Certification and Compliance

TCO'03, ISO 13406-2 VDT Guidelines Approval, CISPR Requirements, VCCI Approvals, MIC (Korean) Requirements, CSA, Australian ACA Approval, "GS" Mark, TUV Approvals, CE Marking, FCC Approval, ENERGY STAR® Qualified, PC-2001 Certified, Microsoft® Windows® Certification (Microsoft® Windows® 98, Microsoft Windows 2000, Microsoft Windows XP, and Windows Vista®)

### Compatibility Service and

Compatible with platforms using the VESA standard video modes. Recommended for use with HP products. Three years parts, labor, and on-site service. 24-hour, 90-day, toll-free technical support. Replacement

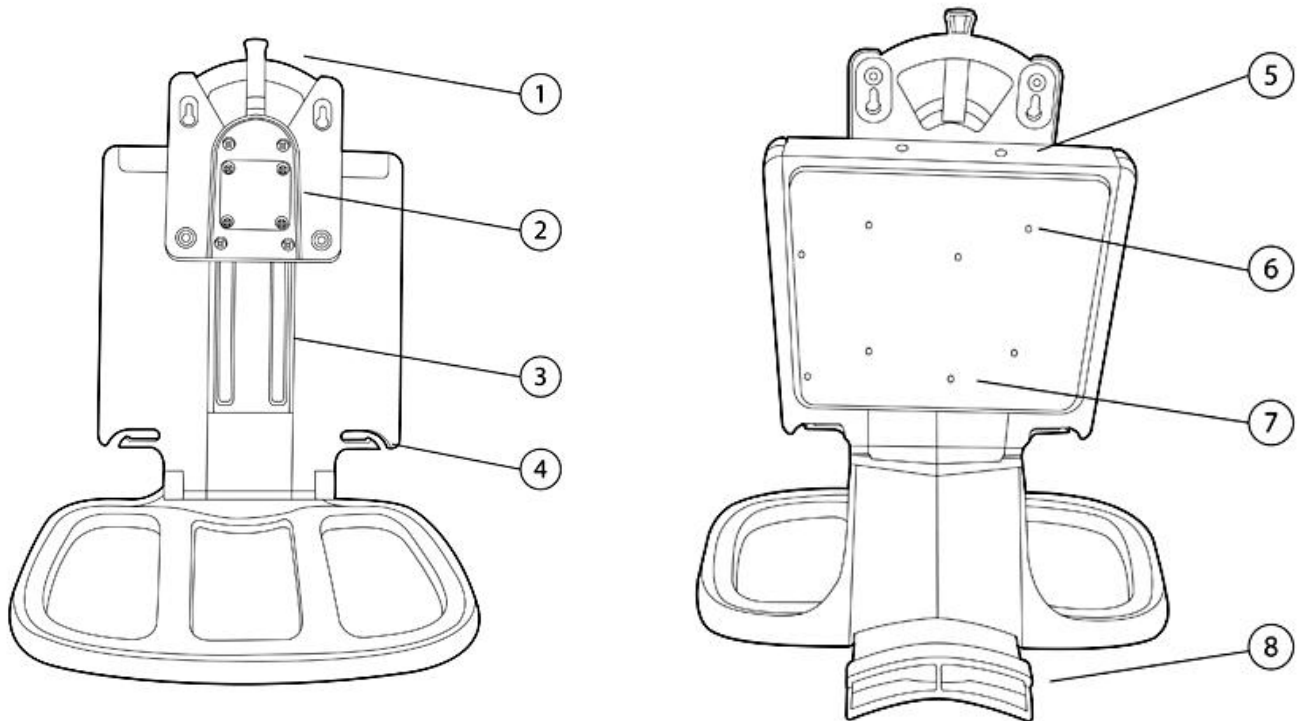
### Technical Specifications

#### Warranty

options may include second business day on-site service, or next business day direct replacement, at HP's sole discretion.<sup>1</sup> With direct replacement, HP will ship a replacement display product directly to you. Using the prepaid shipping labels provided, return your failed display to HP in the same packaging as the replacement. Certain restrictions and exclusions apply. For details see your product warranty or contact HP Customer Support.

### Overview

#### HP Compaq dc7800 Series Integrated Work Center Stand (included with L1908wi)



1. HP Quick Release security screw
2. Integrated HP Quick Release
3. Height-adjustable monitor mount
4. Integrated cable management slots

5. Mounting bracket security screw installation points
6. PC and thin client mounting bracket (unique four-hole pattern for thin clients)
7. PC and thin client mounting bracket (unique four-hole pattern for PCs)
8. Power supply support and rear cable management loops

<sup>1</sup> Service levels and response times for HP Care Packs may vary depending on your geographic location. Restrictions and limitations apply. For details, visit [www.hp.com/go/carepack](http://www.hp.com/go/carepack).

### Technical Specifications

## Technical Specifications

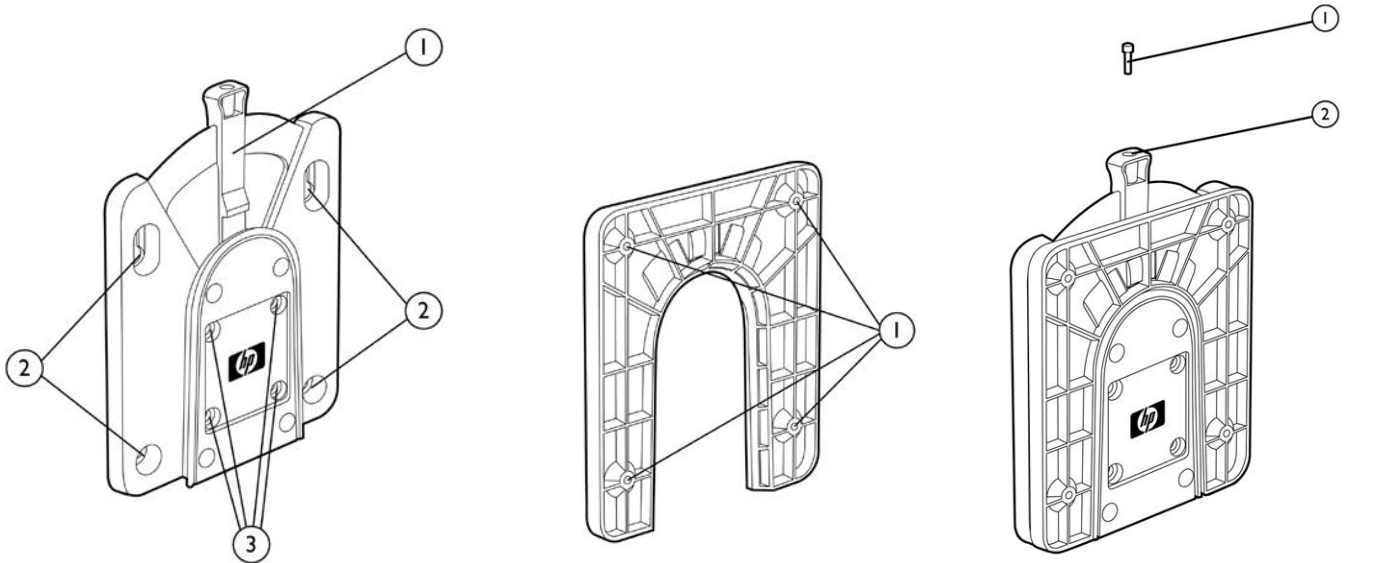
Mechanical	Tilt range	-3 to +20 degrees vertical tilt	
	Swivel range	-180° to + 180°	
	Height adjustable	Yes, range:5.3 in (13.5 cm)	
	Pivot rotation	No	
	Dimensions (Unpackaged)	Cable management slot in:	16.5 x 14.5 x 10.25 in (41.91 x 36.83 x 26.06 cm)
		Cable management slot out:	16.5 x 14.5 x 12.25 in (41.91 x 36.83 x 31.12 cm)
	Weight	Unpackaged 6.12 lbs (2.78 kg)	
Other	Accessories included	Exclusive Integrated Work Center VGA video cable, HP dc7800 Ultra-slim Desktop cable cover (rear port cover), PC mounting bracket, HP Quick Release, documentation kit, and User CD	
	User guide languages	English, French, German, Spanish, Italian, Dutch, Brazilian Portuguese, Danish, Finnish, Greek, Japanese, Korean, Latin American Spanish, Norwegian, Polish, Russian, Slovenian, Turkish, Swedish, Traditional Chinese, Simplified Chinese	
	Warranty languages	English, German, French, Italian, Spanish and Japanese	
	Color	Carbonite	
	VESA external mounting	Yes (Standard 4 hole pattern, two separate 100 mm patterns on the mounting bracket)	
	Option kit contents	Integrated Work Center Stand and PC mounting bracket, Integrated Work Center VGA video cable, HP Compaq dc7800 Ultra-slim Desktop cable cover (rear cover), Quick Release bracket (to attach to back of monitor)	
	Supported weight capacity	The Integrated Work Center Stand has been designed to support the weight of a 17-, 19-, or 19-inch wide format monitor only.	



## Technical Specifications

### Overview

#### HP LCD Monitor Quick Release (included in IWC stand)



1. Release/locking
2. Four 100 mm VESA mount screw holes
3. Mounting holes for attachment to back of monitor stands

1. Four 100 mm VESA mount screw holes

1. Locking pin screw
2. Locking pin hole on release/locking arm

Mechanical	Dimensions (H x W x D)	Packaged:	7.8 x 6.25 x 1.5 in (19.8 x 15.9 x 3.8 cm)
		Unpackaged:	6.3 x 5.2 x 0.65 in (16 x 13.2 x 1.65 cm)
	Weight	Packaged:	1.1 lb (0.49 kg)
		Unpackaged:	0.82 lb (0.37 kg)
Additional components		Eight 10 mm mounting screws (for attachment to VESA compliant monitor mounts)	
		Eight 15.5 mm mounting screws (for attachment to HP Thin Client products)	
		Four 20 mm mounting screws (for attachment to back of select HP flat panel monitor stands)	
		One Quick Release "locking" screw	
		Carbonite	

Color



### *Technical Specifications*

#### Notes:

1. No HP monitors allow positioning of a thin client product between a monitor screen and its stand.
2. The Quick Release device is not to be used between a monitor screen and its stand unless provided that way from the factory.
3. Under no circumstances is the Quick Release device intended to be used in an orientation where the Release/Lock lever is oriented downward.

#### Supported weight capacity

The HP LCD Monitor Quick Release has been designed to support a maximum of up to 24 lbs (10.9 kg) depending upon the mounting configuration used. Please note this is a total weight limit for all devices mounted, i.e. the combined weight of the monitor and a second device such as an HP Thin Client cannot exceed 24 pounds. Because mounting surfaces vary widely and the final mounting method and configuration may vary, mounting fasteners are not supplied (other than the VESA-compliant screws). HP recommends that you consult with a qualified engineering, architectural or construction professional to determine the appropriate type and quantity of mounting fasteners required for your application and to ensure that your mounting solution is properly installed to support applied loads.

© Copyright 2008 Hewlett-Packard Development Company, L.P.

Microsoft and Windows are trademarks or registered trademarks of Microsoft Corporation in the U.S. and other countries. Windows Vista is either a registered trademark or trademark of Microsoft Corporation in the United States and/or other countries. ENERGY STAR is a registered mark owned by the U.S. government.

The only warranties for HP products and services are set forth in the express warranty statements accompanying such products and services. Nothing herein should be construed as constituting an additional warranty. HP shall not be liable for technical or editorial errors or omissions contained herein.