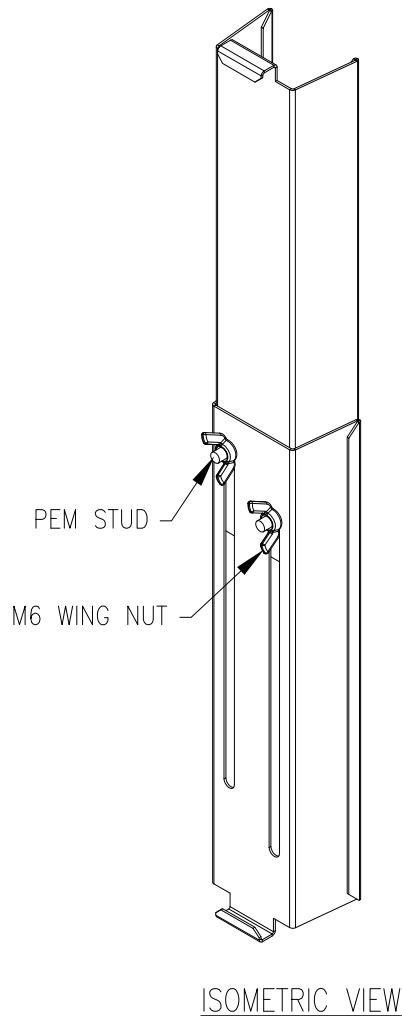
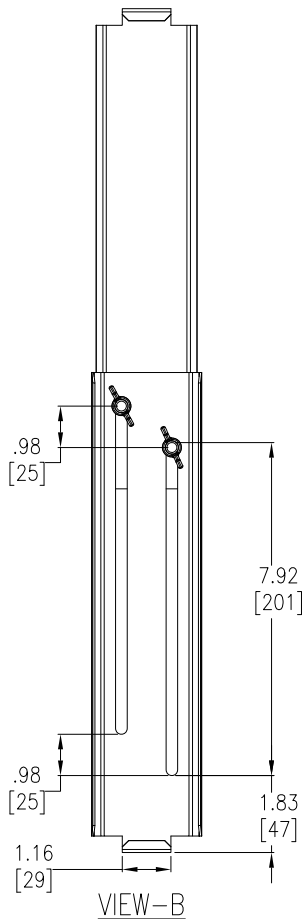
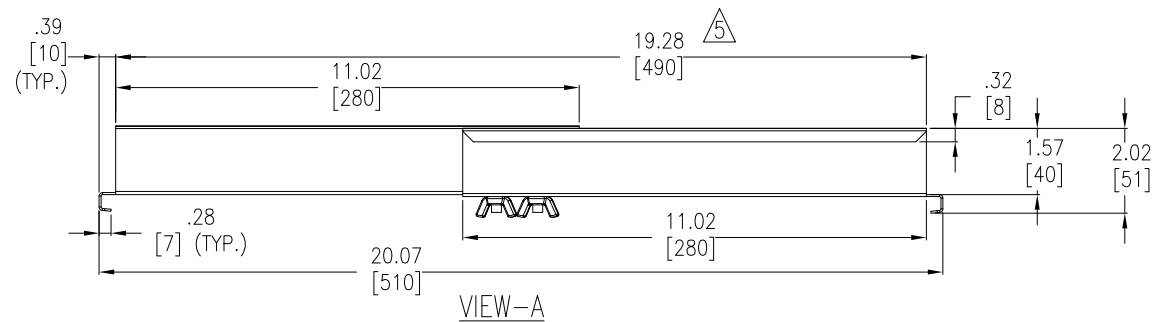
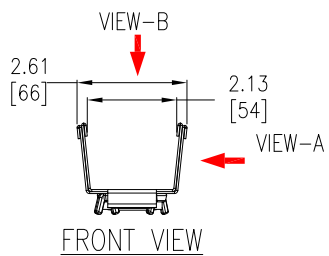
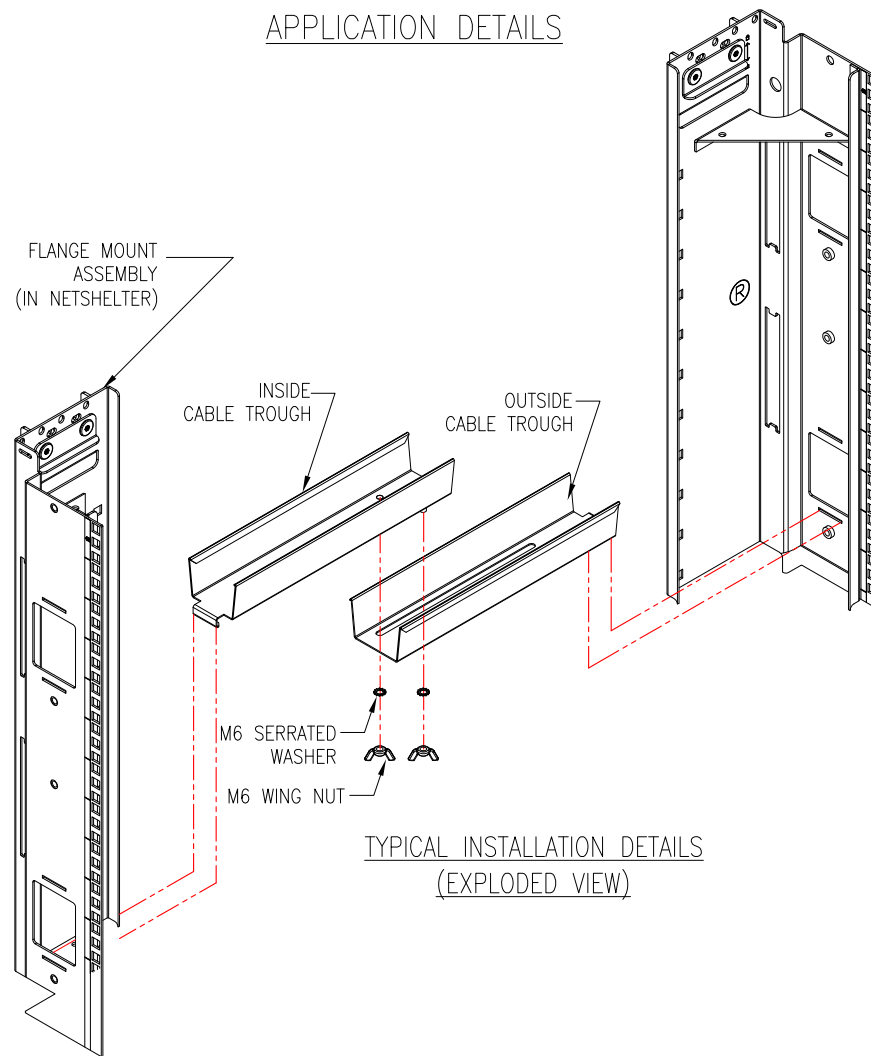


SKU DETAILS



APPLICATION DETAILS



NOTES:

1. INSTALLATION SHALL COMPLY WITH ALL APPLICABLE NATIONAL AND LOCAL CODES.
2. SEE PRODUCT DOCUMENTATION FOR FURTHER INFORMATION.
3. UNLESS OTHERWISE SPECIFIED, ALL DIMENSIONS ARE IN INCHES [MILLIMETERS].
4. WEIGHT OF UNIT IS 3 LBS [1.36 kg].
- △ 5. CAN BE ADJUSTED BETWEEN 10 INCHES & 18 INCHES.

THIS DRAWING AND SPECIFICATIONS HEREIN ARE THE PROPERTY OF SCHNEIDER ELECTRIC AND SHALL NOT BE COPIED, REPRODUCED OR USED IN WHOLE OR IN PART, AS THE BASIS FOR THE MANUFACTURE OR SALE OF ITEMS WITHOUT WRITTEN PERMISSION FROM SCHNEIDER ELECTRIC. THIS DRAWING IS BASED UPON LATEST AVAILABLE INFORMATION AND IS SUBJECT TO CHANGE WITHOUT NOTICE.

Schneider Electric

TITLE:
HORIZONTAL CABLE ORGANIZER
SIDE CHANNEL
10 TO 18 INCH ADJUSTMENT

PROJECT: STD SUBMITTAL DRAWINGS SHEET 1 OF 1

DWG NO: **AR8016ABLK**

DRAWN BY: BALAMURUGAN 30-NOV-07

ENGINEER: M UHRHAN/B OLIVER 30-NOV-07

APPROVED BY: B SHERDANE/SILVIO LARSEN/MSH 30-NOV-07

REV 0

PROJ
ANGLE
N/A