

SONY



HXR-NX200 **nxcam**

1.0-type Exmor R™ CMOS Sensor delivers 4K Superb Image with Beautiful Color Reproduction
3 independent manual lens rings, 24x zoom (FHD Clear Image Zoom)

4K or HD : simply superb image quality

A large, 20 megapixel* 1.0-type sensor delivers stunning image quality in 4K (3840x2160) or Full-HD. Its 1.0-type sensor is brighter, has higher resolution and offers beautiful de-focused background.

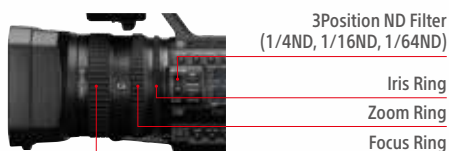
Beautiful Colour Reproduction

Natural facial tone and rich mid-range colours deliver vivid, yet true-to-life imagery regardless of exposure setting. It's perfect for capturing live music, seminars and weddings with a look that's ready to share as soon as you export.



The professional's choice

There's no need to choose between professional features and superb 4K imaging at an entry level price-point. Advanced manual controls, including three independent manual lens rings, built-in 4-step ND filters and class-leading 4K and Full-HD performance make NX200 a choice you can rely upon for live events, corporate, education and wedding videography.



Stunning quality from a large 1.0 type sensor

NX200's single 20 megapixel* 1.0-type Exmor R CMOS sensor is approximately the same size as a 16mm film frame. The key benefit of this large size is low noise and less blur because more light reaches the sensor, offering clear and steady pictures even in a dark scene with minimum illumination 1.7 lux**. The large sensor size also enables beautiful background bokeh to enable you to focus on what you want to show and defocus the rest of the image.

*14.2 million effective pixels

**LOW LUX mode low noise and good low-light sensitivity

Sony G Lens with 24x Clear Image Zoom (FHD)

A fixed 29mm wide-angle lens with 12x optical zoom makes it easy to capture even the most expansive landscape scenes while also offering superb clarity and sharpness - maximizing the performance of the NX200's large 1.0 type sensor.

In addition, zoom performance can be doubled at any point with a digital extender.

The G Lens is Sony's own camera lens family, designed and manufactured to the high standards of optical performance.

Multi-format recording with 100Mbps XAVC S 4K, HD and DV

NX200 offers superb all-round performance whatever your workflow.

For 4K or Full-HD production, XAVC S offers stunning picture quality, but also workflow flexibility and storage efficiency. Compared to AVCHD, XAVC S captures more details and less noise thanks to the higher bitrate, while also being supported by all the major non-linear editors.

NX200 also offers the option to record in AVCHD or DV, making it easy to integrate your content into existing workflows. NX200 offers recording frame rates of 25p 4K:QFHD (3840*2160), 50p/50i/25p Full HD, and 50i DV

Simple live solution

NX200 is designed to work seamlessly with Sony's MCX-500 Multi Camera Live Producer, a robust and cost-effective switcher that makes it easy for one person to run a multi-camera live event shoot in HD. When used with the MCX-500 and Remote Commander RM-30BP, a tally indicator will automatically appear on each NX200's LCD panel and viewfinder - a red icon indicates when the shot is live (PGM) while green indicates preview mode (PVW). The MCX-500 supports up to nine video inputs, five channel stereo inputs, five channel stereo inputs including XLR with both internal recording and live streaming via Facebook Live and YouTube Live.



4K

Exmor R
CMOS Sensor

G

XAVC S

AVCHD
Progressive

Specifications

General	
Mass	Approx 1800 g (body) Approx. 3 lb 15 oz (body) Approx. 2100 g (with lens hood, eyecup, NP-F570 battery) Approx. 4 lb 10 oz (with lens hood, eyecup, NP-F570 battery)
Dimensions (W x H x D)	171.3 x 187.8 x 371.3 mm (With the accessories (lens hood, large eyecup), excluding the grip belt and including the projecting parts) 6 3/4 x 7 1/2 x 14 5/8 inches (With the accessories (lens hood, large eyecup), excluding the grip belt and including the projecting parts)
Power Requirements	DC In: 8.4V, Battery: 7.2 V
Power Consumption	Approx. 5.7 W (while recording with viewfinder and AVCHD 1080/50i FX) Approx. 5.9 W (while recording with LCD and AVCHD 1080/50i FX)
Operating Temperature	0°C to 40°C (32°F to 104°F)
Storage Temperature	-20°C to +60°C (-4°F to +140°F)
Battery Operating Time	Approx. 150 min. with NP-F570 battery (while recording with LCD, AVCHD 1080/50i FX) Approx. 240 min. with NP-F570 battery (while playing with LCD, AVCHD 1080/50i FX)
Recording Format (Video)	XAVC S : MPEG4-AVC/H264 4:2:0 Long profile AVCHD : MPEG-4 AVC/H.264 AVCHD 2.0 format compatible DV
Recording Format (Audio)	XAVC S 4K : Linear PCM 2ch, 16bit, 48kHz XAVC S HD : Linear PCM 2ch, 16bit, 48kHz AVCHD : Linear PCM 2ch, 16-bit, 48 kHz / Dolby Digital 2ch, 16-bit, 48 kHz DV : Linear PCM 2ch, 16-bit, 48 kHz
Recording Frame Rate	XAVC S 4K (3840 x 2160) @25p, 100Mbps/60Mbps XAVC S HD (1920 x 1080) @50p, 25p, 50 Mbps AVCHD (1920 x 1080) @50p, PS mode (28 Mbps) AVCHD (1920 x 1080) @50i/25p, FX mode (24 Mbps) FH mode (17 Mbps) AVCHD (1440 x 1080) @50i, HQ mode (9 Mbps) LP mode (5 Mbps) AVCHD (1280 x 720) @50p, FX mode (24 Mbps) FH mode (17 Mbps) HQ mode (9 Mbps) DV (720 x 576) @50i, 25 Mbps
Recording/Playback Time	XAVC S 4K@LPCM 2ch 100 Mbps Approx. 75 min with 64 GB memory card XAVC S 4K@LPCM 2ch 60 Mbps Approx. 125 min with 64 GB memory card XAVC S HD@LPCM 2ch 50 Mbps Approx. 155 min with 64 GB memory card AVCHD@LPCM 2ch PS Mode Approx. 290 min with 64 GB memory card Approx. 145 min with 32 GB memory card AVCHD@LPCM 2ch FX Mode Approx. 340 min with 64 GB memory card Approx. 170 min with 32 GB memory card AVCHD@LPCM 2ch FH Mode Approx. 450 min with 64 GB memory card Approx. 225 min with 32 GB memory card DV Approx. 280 min with 64 GB memory card Approx. 140 min with 32 GB memory card

Lens	
Lens Mount	Fixed
Zoom Ratio	12x (optical), servo
Focal Length	f = 9.3 - 111.6 mm equivalent to f = 29.0 - 348.0 mm on 35 mm lens (16:9) equivalent to f = 35.5 - 426.0 mm on 35 mm lens (4:3)
Iris	F2.8 - F11 auto/manual selectable
Focus	AF/MF selectable, 10 mm to ∞ (Wide), 1000 mm to ∞ (Tele)
Image Stabilizer	ON/OFF selectable, shift lens
Filter Diameter	M62 mm
Camera Section	
Imaging Device (Type)	1.0-type (13.2 mm x 8.8 mm) back-illuminated Exmor R CMOS sensor
Effective Picture Elements	Approx. 14.2 M pixels (16:9)/Approx. 10.6 M pixels (4:3)
Built-in Optical Filters	OFF: Clear, 1: 1/4ND, 2: 1/16ND, 3: 1/64ND
Minimum Illumination	[50i] 1.7 lux (LOW LUX mode)
Shutter Speed	[50i]: 1/6 - 1/10,000
Slow & Quick Motion Function	[50i]: 1080p: Frame rate selectable 1.2.3.6.12.25.50 fps
White Balance	Preset (Indoor: 3200K, Outdoor: 5600K±7 steps, Color temperature set range: 2300-15000K), Onepush A, B, Auto selectable
Gain	-3, 0, 3, 6, 9, 12, 15, 18, 21, 24, 27, 30, 33 dB, AGC
Gamma Curve	Selectable
Input/Output	
Audio Input	XLR-type 3-pin (female) (x2), line/mic/mic +48 V selectable
Video Output	BNC (x1), Composite 1.0Vp-p, 75 Ω
Audio Output	RCA pin
USB	Multi/Micro USB jack (x1)
Headphone Output	Stereo mini jack (x1)
Speaker Output	Monaural
DC Input	DC jack
Remote	Stereo mini mini jack (x1)
HDMI Output	Type A (x1)
Monitoring	
Viewfinder	0.6cm(0.24 type) Approx. 1.56 M dots.
LCD	8.8 cm (3.5 type) Approx. 1.56 M dots.
Built-in Microphone	
	Omni-directional stereo electret condenser microphone.
Media	
Type	Memory Stick Pro Duo(TM) and SD/SDHC/SDXC compatible (x1) SD/SDHC/SDXC (x1)
Supplied Accessories	
	Charger(BC-L1) (1), Lens hood (1), Lens cap (1), Large eyecup (1), Shoe cap (1), USB cable (1), Rechargeable battery pack (NP-F570) (1), AC Adaptor (AC-L100 C) (1), Power cord (mains lead) (1), Wireless Remote Commander (RMT-845) (1), Lithium battery (CR2025 for the Wireless Remote Commander) (1), Pre-installed to the Wireless Remote Commander, Operating Guide (1), Warranty (1)

Available Accessories



MCX-500
Multicamera Live Producer



RM-30BP
Remote Commander



NP-F770/970
Rechargeable Lithium-ion
Battery Pack



ACC-L1BP
AC adaptor/charger and battery kit



UWP-D11/UWP-D12
Wireless Microphone Package



SMAD-P3
MI Shoe Mount Adaptor
* required for cable-free operation with
UWP-D11/UWP-D12



ECM-MS2
Electret Condenser Microphone



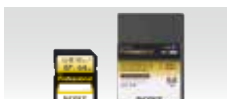
ECM-VG1
Electret Condenser Microphone



HVL-LBPC
Battery Video Light



HVL-LEIR1
Battery Video Light

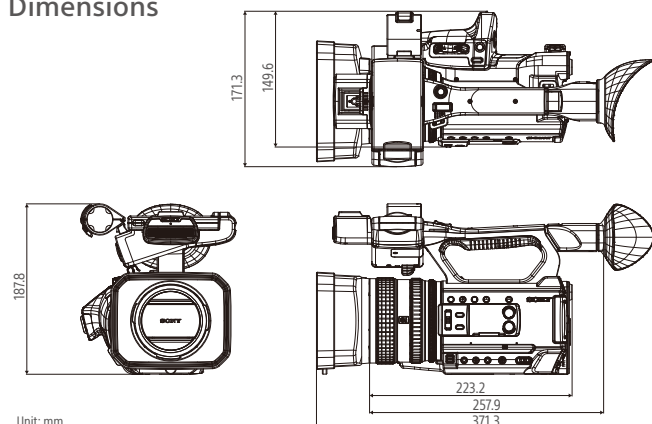


2SF-64P
SD Card for Professional



SF-128UX2/64UX2
SDXC UHS-I Memory Card

Dimensions



Unit: mm

©2018 Sony Corporation. All rights reserved.

Reproduction in whole or in part without written permission is prohibited.
Features, design, and specifications are subject to change without notice.

The values for mass and dimension are approximate.

Some images in this brochure are simulated.

"SONY" is a registered trademark of Sony Corporation.

"Memory Stick" and "Exmor" are trademarks of Sony Corporation.

All other trademarks are the property of their respective owners.

Please visit Sony's professional website or contact your Sony representative for specific models available in your region.

Distributed by