



**Warning!**  
Always check the depth of the holes before starting an installation.  
تحذير  
الفحص دائما عمق الثقوب قبل أن تبدأ في عملية التركيب.

**ADVARSEL!**  
Kontroller alltid hullernes dybde, før du går i gang med en installasjon.  
**WARNUNG!**  
Vor Beginn des Einbaus immer die Tiefe der Bohrungen überprüfen.  
**ΠΡΟΕΙΔΟΠΟΙΗΣΗ!**  
Ελέγξτε πάντοτε το βάθος των οπών προτού ξεκινήσετε την εγκατάσταση.  
**WARNING!**  
Always check the depth of the holes before starting an installation.  
**¡AVISO!**  
Controle siempre la profundidad de los agujeros antes de iniciar una instalación.  
**VAROITUS!**  
Selvitä reikien syvyys ennen asentamisen aloittamista.  
**ATTENTION !**  
Vérifiez toujours la profondeur des trous avant de commencer l'installation.  
**ATTENZIONE!**  
Verificare sempre la profondità dei fori prima dell'installazione.  
**Varovani!**  
Před začátkem instalace vždy zkontrolujte potřebnou hloubku všech otvorů.  
**ADVARSEL!**  
Sjekk alltid hvor dype hullene er før du begynner å montere.  
**OSTRZEŻENIE!**  
Przed przystąpieniem do montażu należy koniecznie sprawdzić głębokość otworów.  
**ПРЕДУПРЕЖДЕНИЕ!**  
Перед установкой всегда проверяйте глубину отверстий.  
**WARNING!**  
Kontrollera alltid hålets djup innan en installation påbörjas.  
**UYARI!**  
Montaja başlamadan önce daima deliklerin derinliğini kontrol edin.  
警告!  
请始终在安装前检查孔洞的深度。

**WARRANTY CARD** MULTIBRACKETS.COM

**MULTIBRACKETS™ Limited Warranty**  
Multibrackets warrants its products to be free of defects in material and workmanship for the product's Warranty Period. The Warranty Period commences on the original purchase date of the product.

**All Multibrackets products are covered by a limited product warranty:**

- **FIVE (5) years for metal video monitor mounts; all racks and non-electrical rack accessories**
- **TWO (2) years for gaslifts and sit-stand workstations**
- **ONE (1) year for all motorized and/or automated products, plastic speaker mounts; all speaker stands; all furniture; all wood (MDF) accessories**

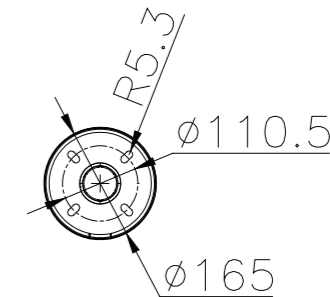
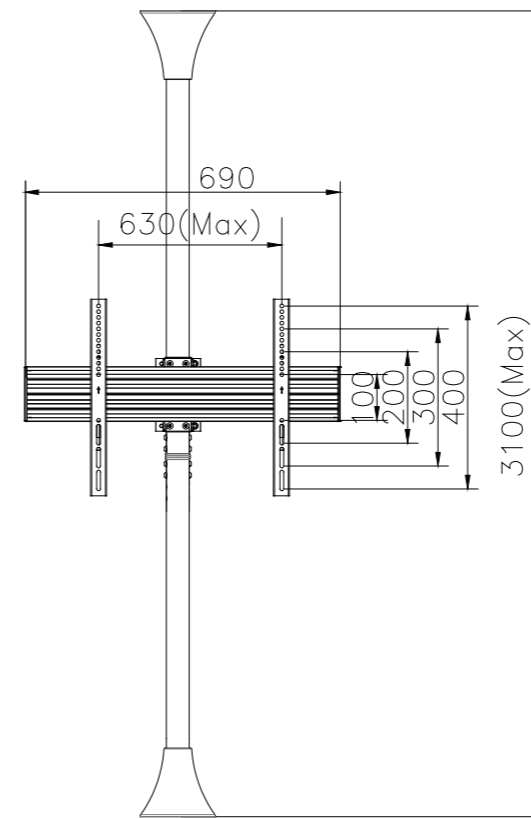
For warranty claims made during the Warranty Period, MULTIBRACKETS will replace any defective product part free of charge. Should a part on your Multibrackets product fail, please create an RMA case on [www.multibrackets.com/support](http://www.multibrackets.com/support) to make a warranty claim. We will await your documentation and then discuss the problem with you and once we confirm the product is under warranty, we will ship replacement parts to you. This Limited Warranty does not cover the costs of removing and replacing defective parts from your Multibrackets product. So, if your problem requires a repair technician, you must pay any labor charges.

This Limited Warranty extends only to the original purchaser of the product and is automatically void if your Multibrackets product is modified in any way, improperly installed, taxed beyond its stated weight capacity or otherwise misused or abused. All Multibrackets products are intended for indoor use only and any outdoor use voids this Limited Warranty. The Limited Warranty for wall and ceiling mounts is void if the mount is moved from its initial installation. To the maximum extent permitted by applicable law, Multibrackets disclaims any other warranties, express or implied, including warranties of fitness for a particular purpose and warranties of merchantability. Multibrackets will not be liable for any damages whatsoever arising out of the use or inability to use its products, even if Multibrackets has been advised of the possibility of such damages. To the maximum extent permitted by applicable law, Multibrackets disclaims any responsibility for incidental or consequential damages.

Multibrackets™ Stockholm Sweden 2016, [www.multibrackets.com](http://www.multibrackets.com)



## Dimensions



## Parts list

A1	A2	A3	A4	X1
M5X15 X4	M6X15 X4	M8X15 X4	Ø16XØ6.2X1.5 X4	

B1	B2	B3	B4	B5	B6	X1	
3mm X1	5mm X1	6mm X1	5mm X1	M5 X2	Ø16XØ8.2X1.5 X4		M8X12 X4

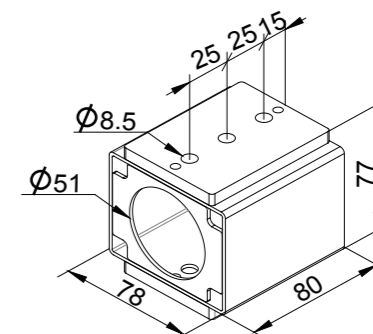
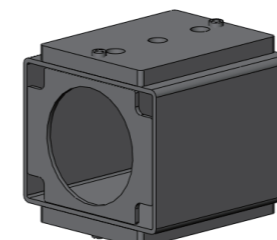
C1	C2	C3	C4	C5	C6	X1
M8X70 X1	M8 X1	X1	Ø16XØ8.2X1.5 X8	Lag bolt X8	Anchor X8	

D1	D2	D3	X1
X2	M8X12 X8	X1	

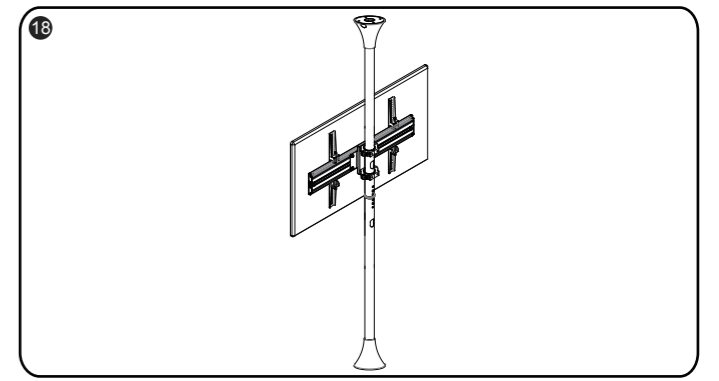
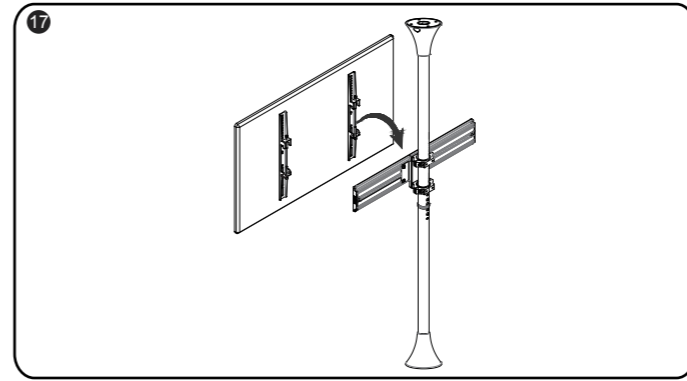
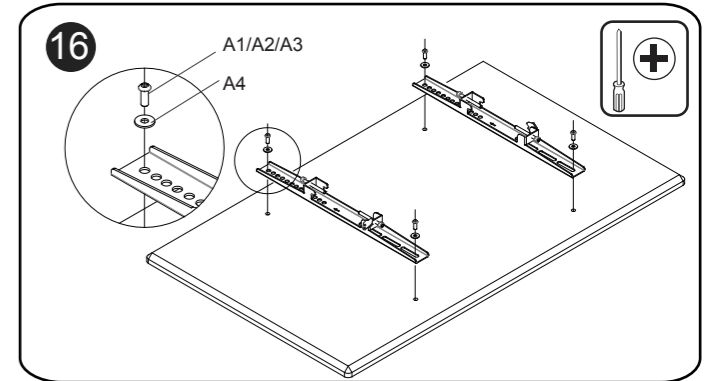
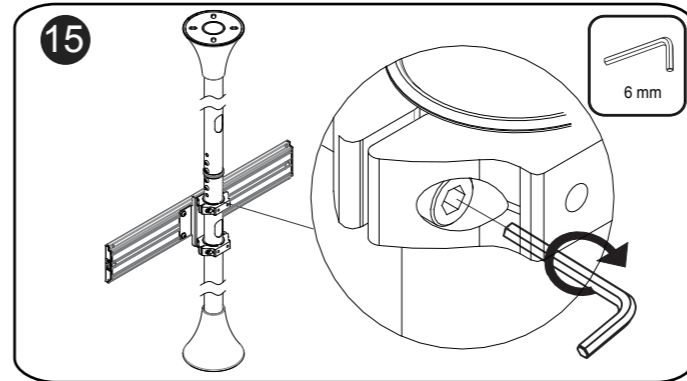
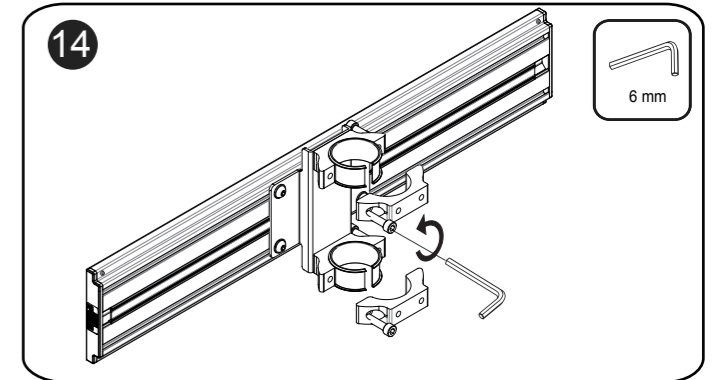
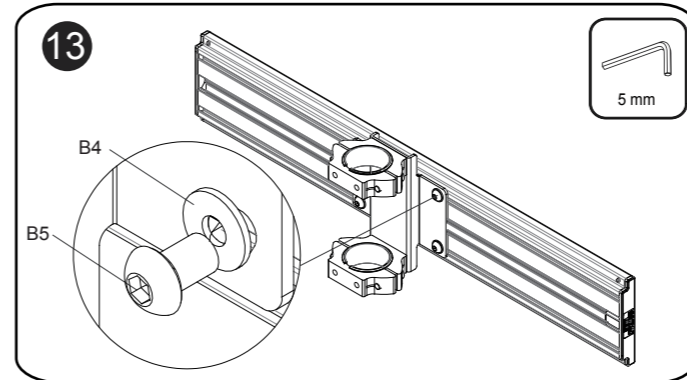
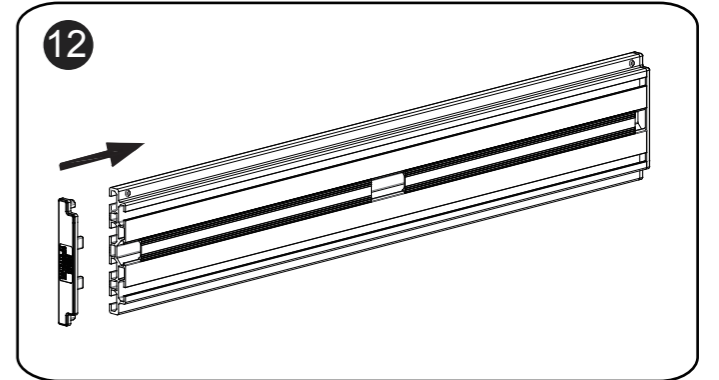
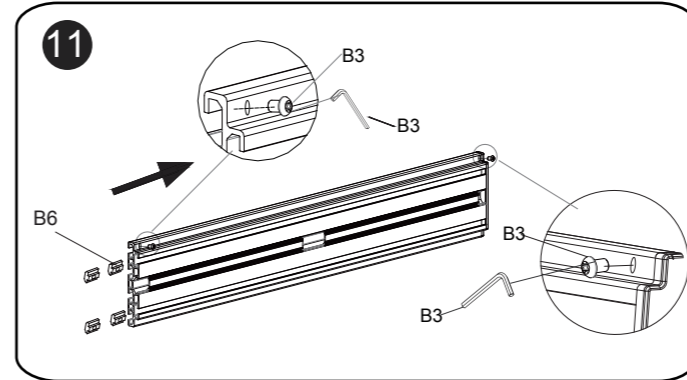
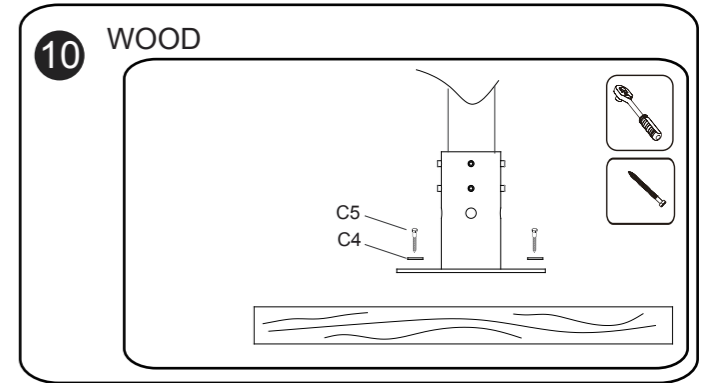
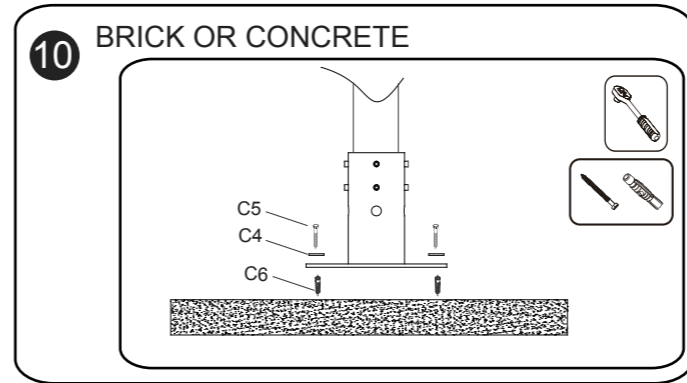
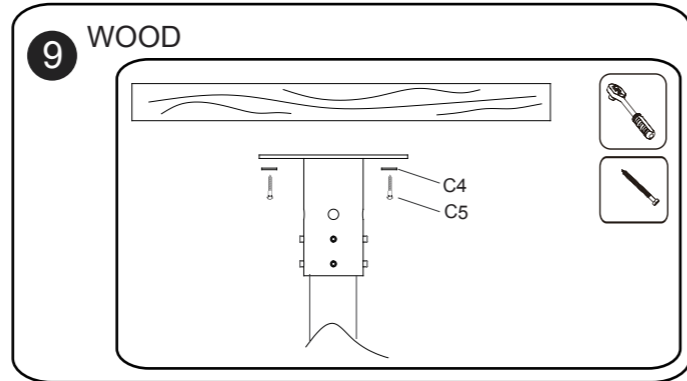
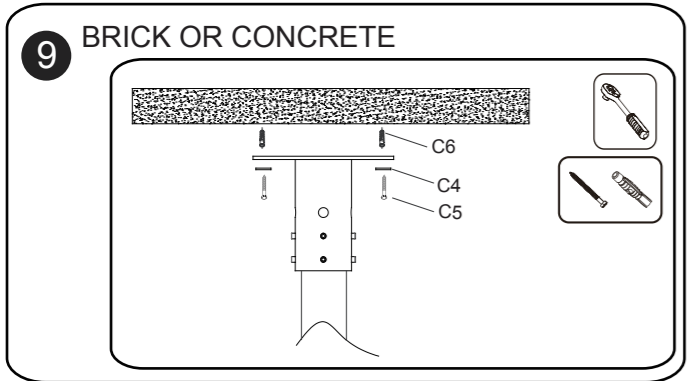
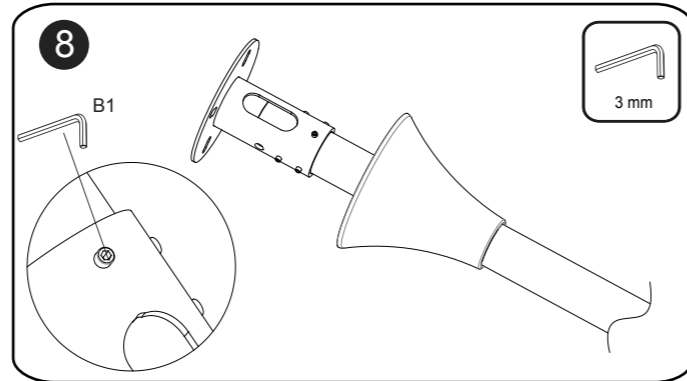
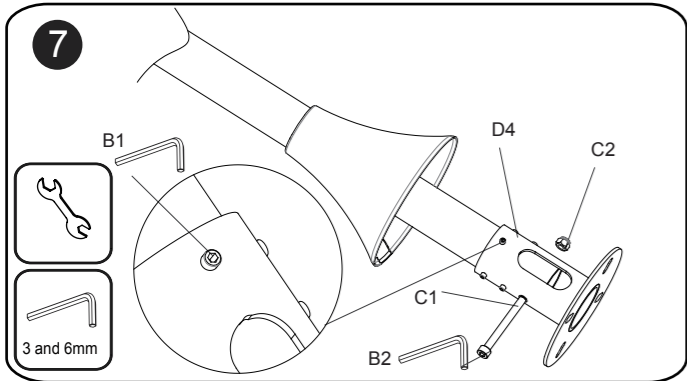
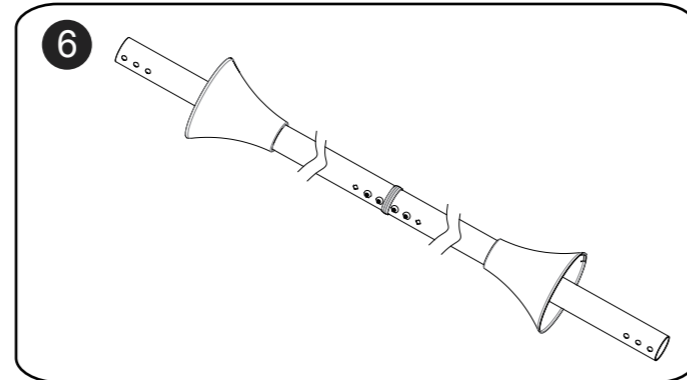
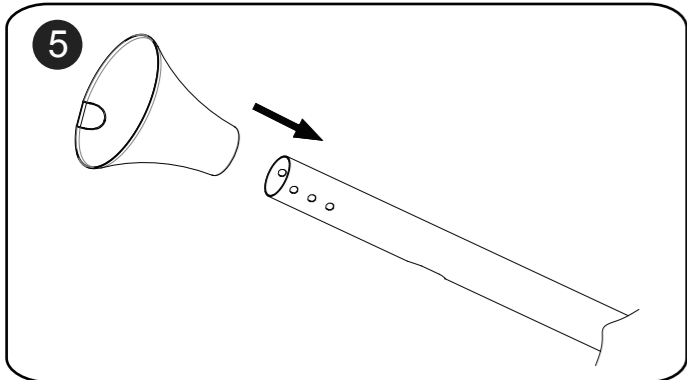
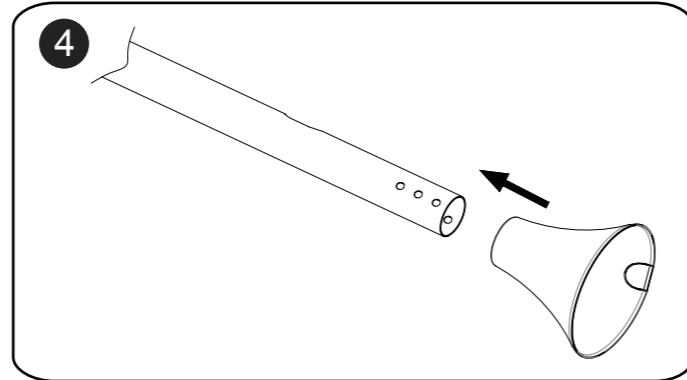
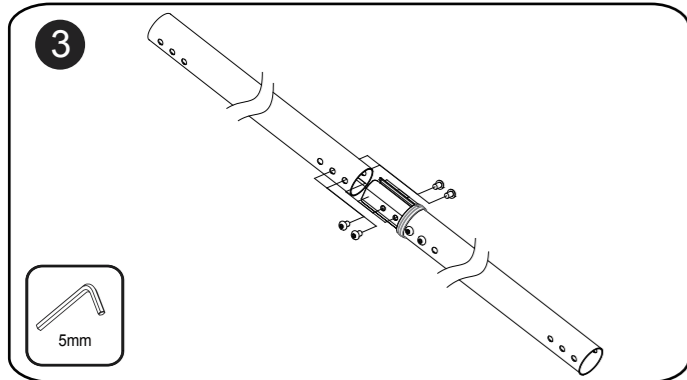
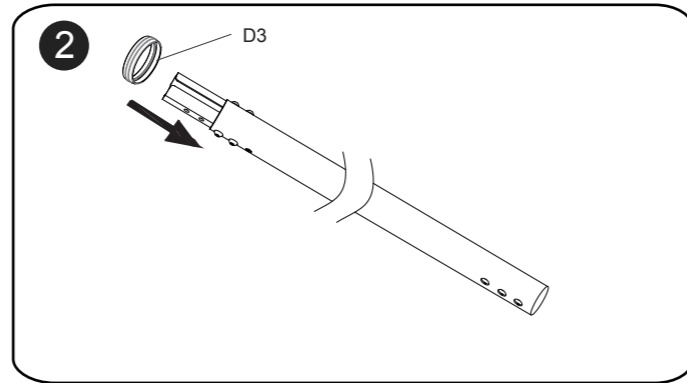
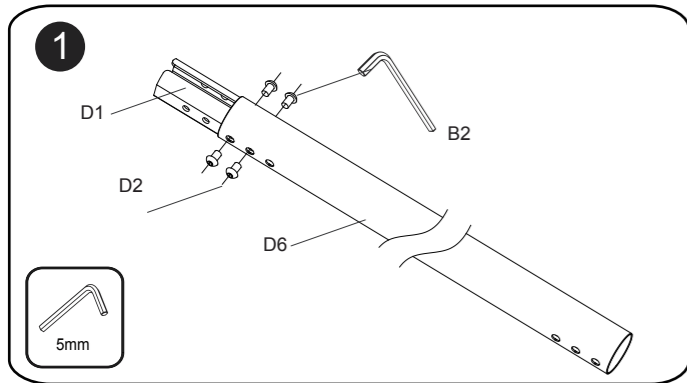
D4	D5	D6	D7	D8	D9
X2	X2	X2	X1	X1	X2

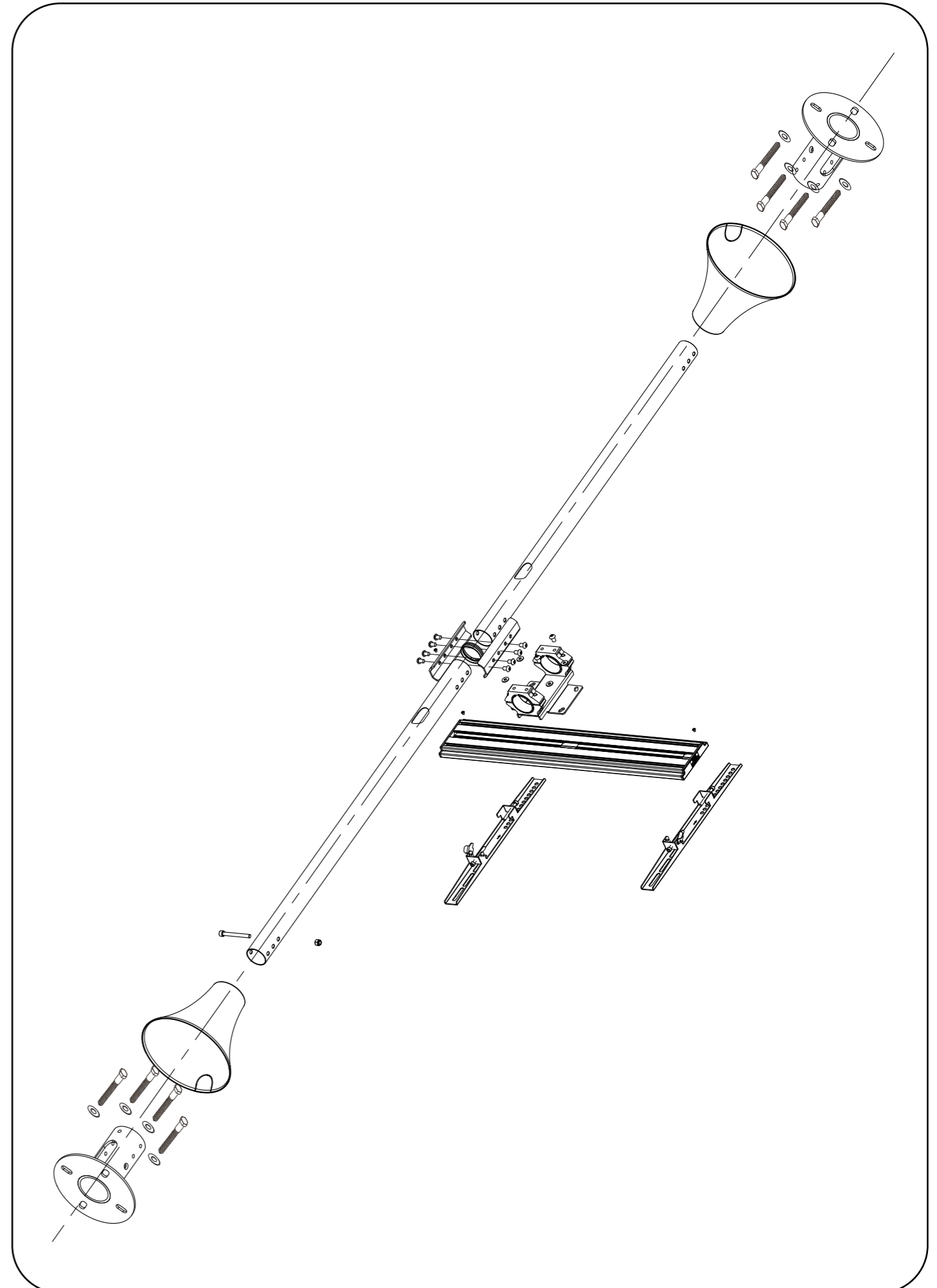
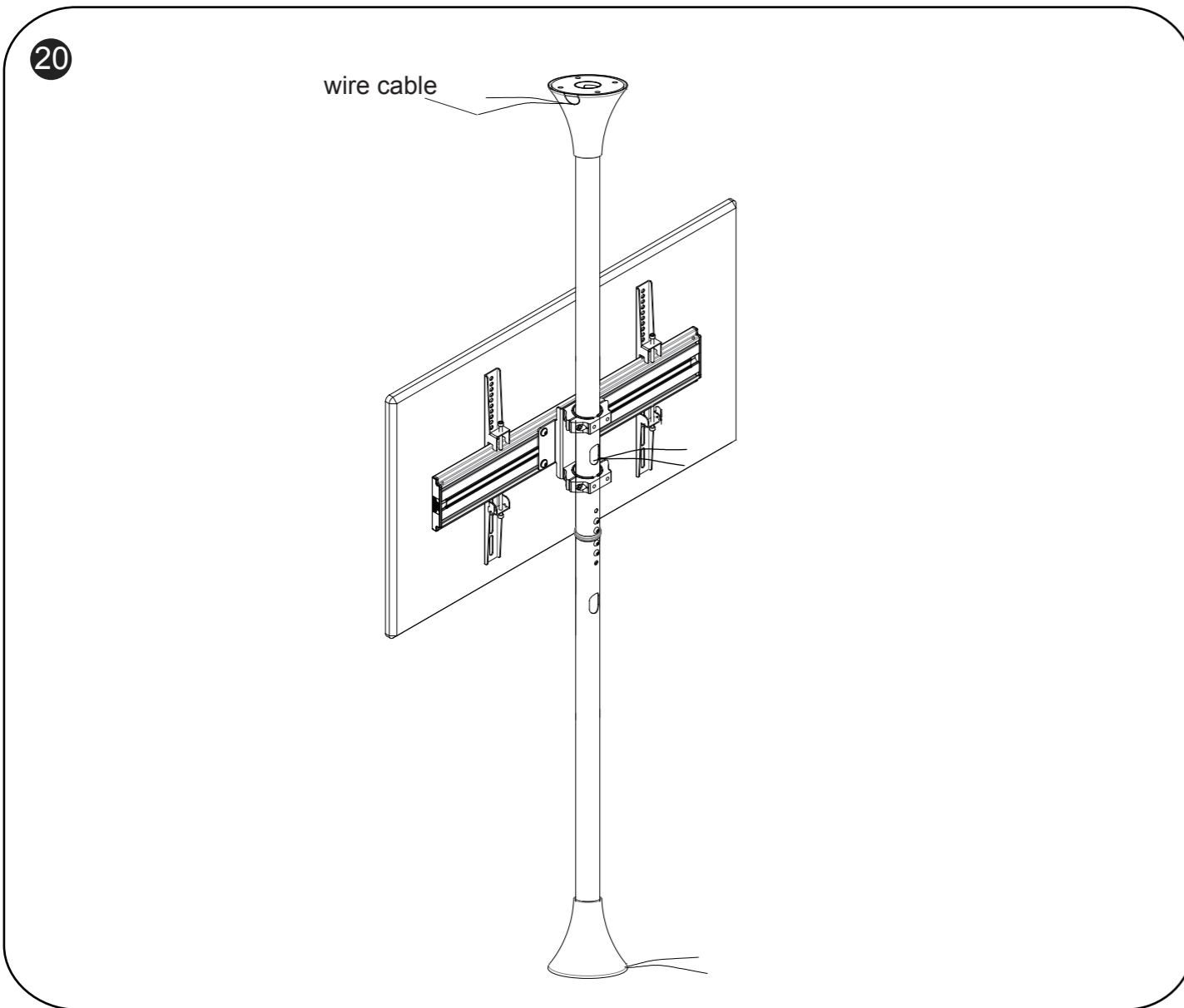
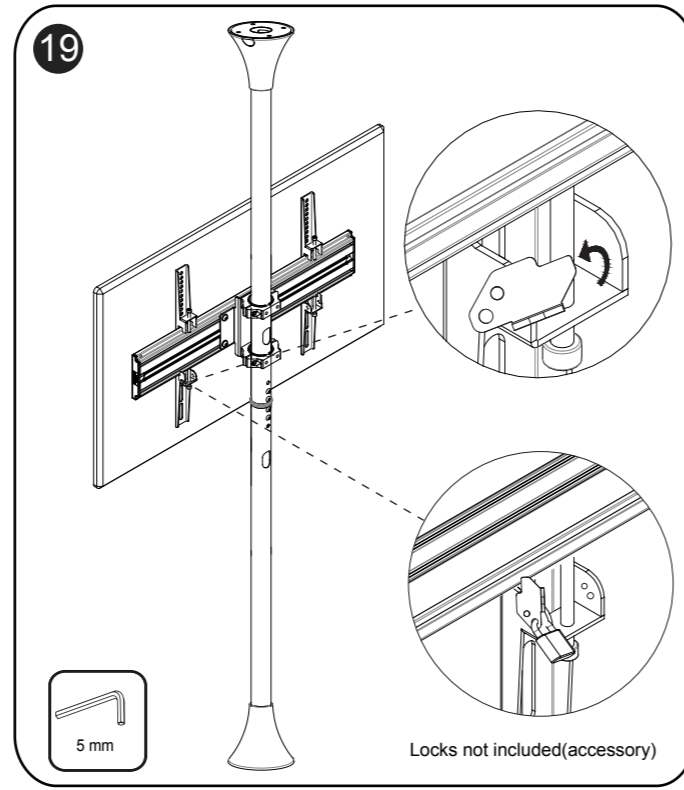
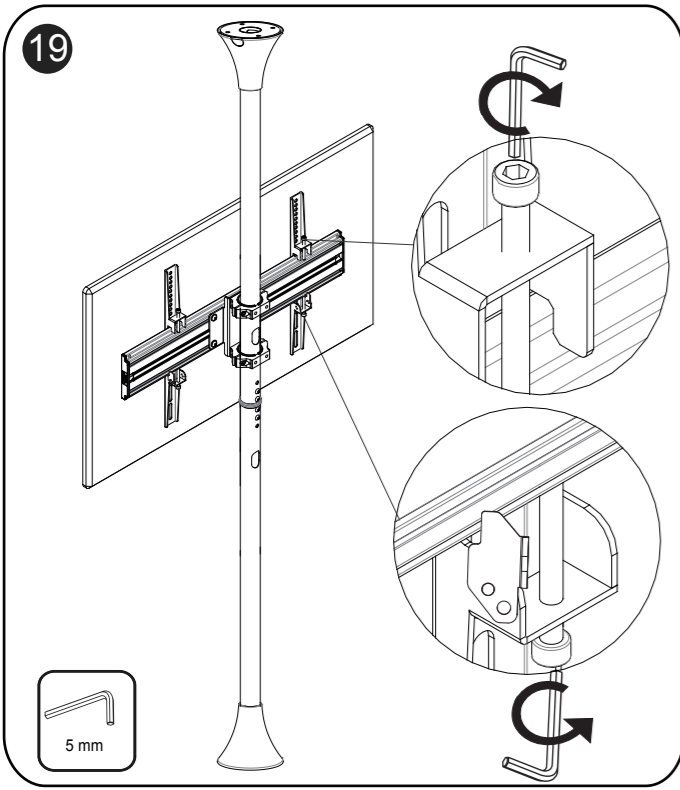
## Optional Tool (Not included in the box)

M Pro Series-Pole Drill Fixture  
EAN:7350073734214



# Installation



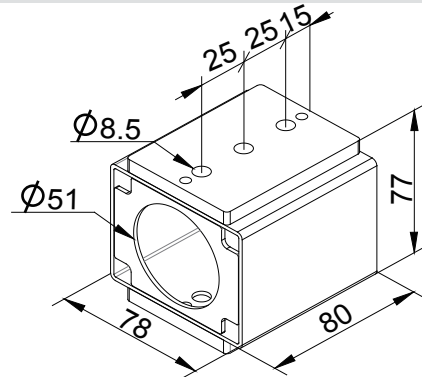
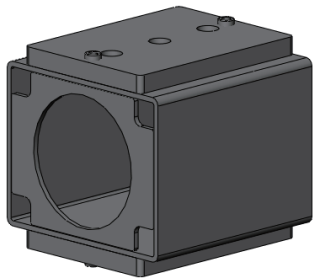


# User's Manual


## M Pro Series-Pole Drill Fixture

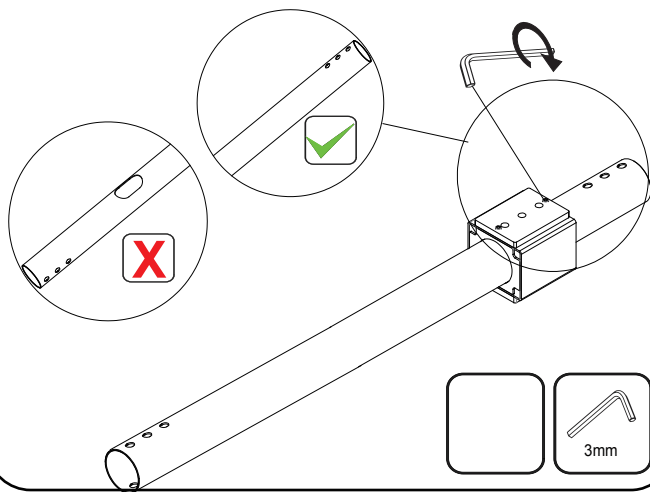
EAN: 7350073734214

The accessory M Pole Drill Fixture is a tool for drilling new holes when extension pipe has been cut.

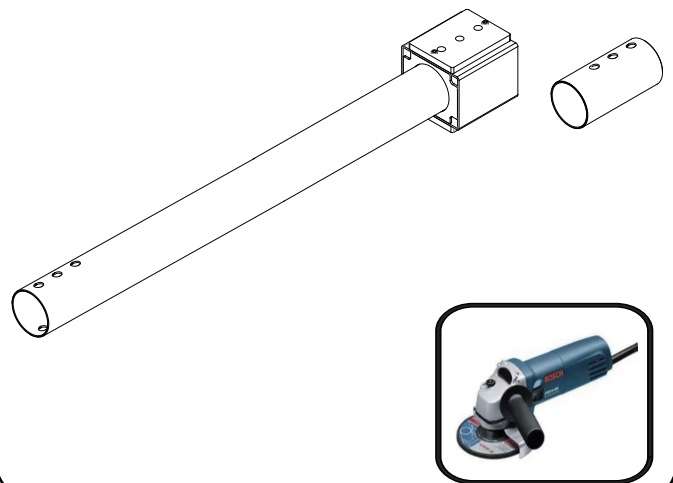


### Installation

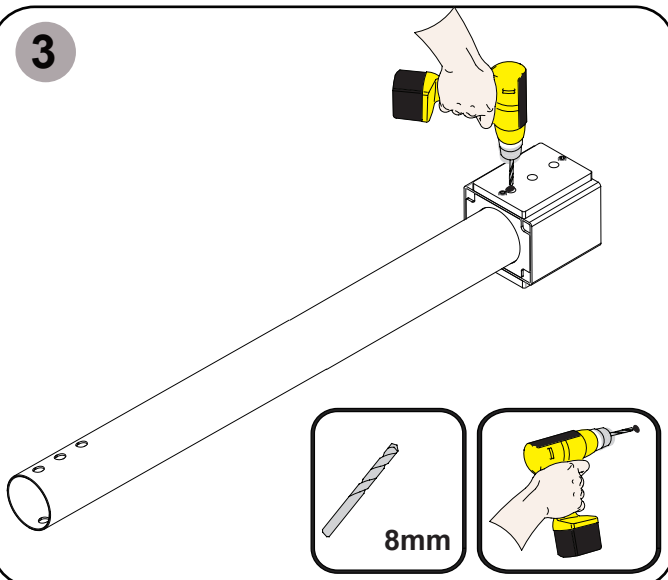
- 1**  PLS DO NOT CUT THE CABLE MANAGEMENT HOLE !



- 2**



- 3**



- 4**

