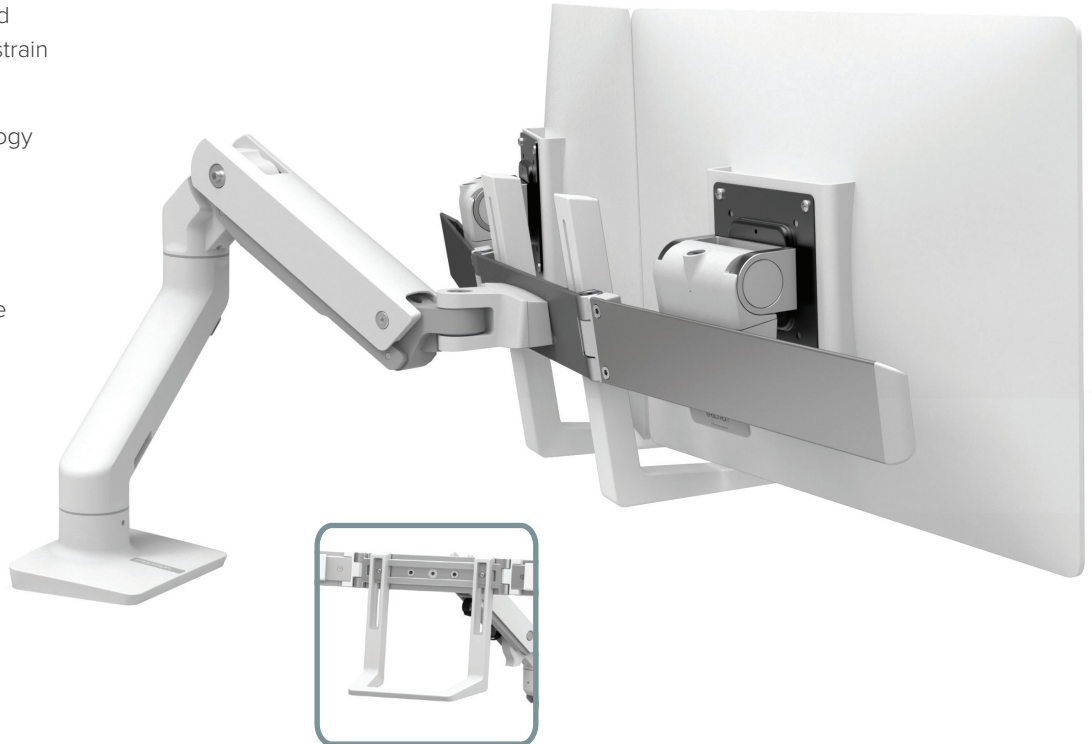


# ergotron®

*moving you forward*

## **HX** **Desk Monitor Arm**

- Allows you to work comfortably and helps reduce eye, back and neck strain
- Adjust displays with a light touch, thanks to Constant Force™ technology
- Frees up space in tight areas by folding arm when not in use
- Passes Ergotron's 10,000-cycle motion test for years of trouble-free height adjustment
- 10-year warranty
- Multiple desk attachment options included with HX arms and as accessory kits

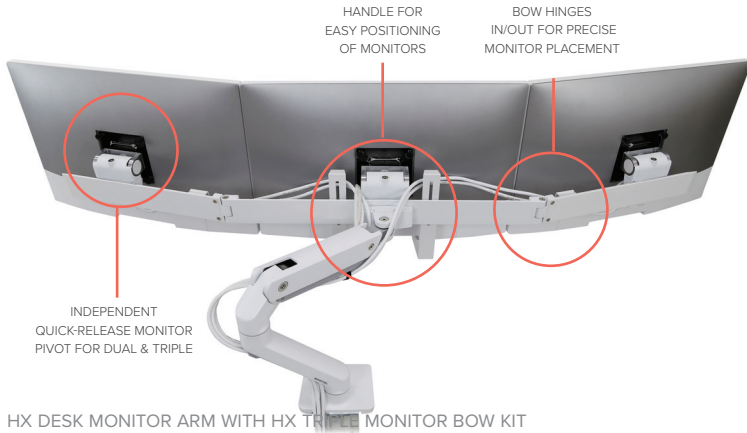


### SLEEK NEW POST DESIGN



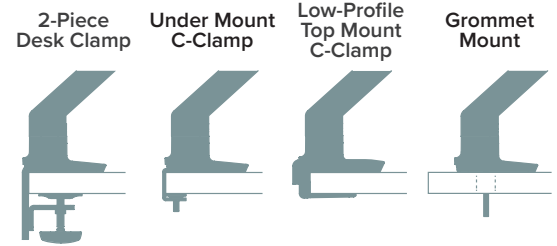
The HX Monitor Arm is the perfect accessory to add flexibility and superior ergonomics to your monitor(s). The dual/triple hinge bow works with two 32" or three 24" monitors and includes a handle for easy positioning.

# HX Desk Monitor Arm



HX DESK MONITOR ARM WITH HX TRIPLE MONITOR BOW KIT

## AVAILABLE DESK ATTACHMENT OPTIONS



	2-Piece Desk Clamp	Under Mount C-Clamp	Low-Profile Top Mount C-Clamp	Grommet Mount
Height-adjustable tables	Compatible	Compatible	Recommended	Compatible
Sliding desks	—	—	Recommended	—
Panel systems	Recommended	—	—	Compatible
Benching systems	—	Recommended	—	Compatible
Other	Recommended	—	—	Compatible

Included with some monitor arms or as accessories

	HX Desk Monitor Arm	HX Desk Monitor Arm, Low-Profile Top Mount C-Clamp	HX Desk Dual Monitor Arm	HX Desk Dual Monitor Arm, C-Clamp	HX Triple Monitor Bow Kit
Part # color	45-475-216 white 45-475-224 matte black	45-606-216 (white)	45-476-216 white 45-476-224 matte black	Under Mount 45-521-216 (white) Low-Profile Top Mount 45-611-216 (white)	98-009-216 white
Includes	HX Arm, extension, monitor pivot, desk clamp, grommet mount, monitor mounting hardware	HX Arm, extension, monitor pivot, monitor mounting hardware and low-profile top mount c-clamp	HX Arm, extension, hinge bow, 2 monitor pivots, handle, desk clamp, grommet mount, monitor mounting hardware	HX Arm, extension, hinge bow, 2 monitor pivots, handle, monitor mounting hardware and c-clamp	Triple Monitor Hinge Bow, 3 monitor pivots, handle and monitor mounting hardware
Typical LCD Size	≤ 49"		≤ 32"		≤ 24"
LCD SIZE IS APPROXIMATION. DIMENSION IS DIAGONAL MEASUREMENT OF SCREEN. LCD SIZE ON HX SINGLE MAY BE EXCEEDED AS LONG AS SCREEN WEIGHT DOES NOT EXCEED MAXIMUM WEIGHT CAPACITY OF THE MOUNT.					
Weight Capacity	9,0–19,0 kg per monitor; display depth > 15 cm will reduce weight capacity to 12,7 kg. For a curved monitor, consider the arc's depth to determine compatibility		2,3–8,0 kg per monitor		1,0–4,6 kg per monitor
Lift	29,2 cm				
Tilt	↑ 70° / ↓ 5° Quick release monitor on Dual and Triple only				
Extension Pan	360°				
Base Rotation	180°				
VESA	VESA FDMI MIS-D, 100/75, C (100 x 100 mm & 75 x 75 mm hole pattern); HX Single also includes 200 x 200 mm				
Extension	≤ 60 cm	≤ 60 cm	≤ 60,7 cm	≤ 60,7 cm	≤ 62,2 cm
Shipping Weight	8,3 kg	8,1 kg	12,2 kg	Under Mount 11,5 kg Low-Profile Top Mount 11,3 kg	8,7 kg
Shipping Dimensions	30,5 x 48,8 x 17,8 cm	48,5 x 28,5 x 17,7 cm	41 x 48 x 19 cm	Under Mount 47,5 x 40,9 x 20,1 cm Low-Profile Top Mount 47,6 x 40,7 x 23,1 cm	47 x 72 x 19 cm
Warranty	10 years				
Pro Install Option	SRVC-PI-01	SRVC-PI-01	SRVC-PI-02	SRVC-PI-02	SRVC-PI-02

Download additional literature at [ergotron.com/pro](http://ergotron.com/pro)

For more information:

EMEA +31.33.45.45.600 / [info.eu@ergotron.com](mailto:info.eu@ergotron.com)

Custom: [custom@ergotron.com](mailto:custom@ergotron.com)

© Ergotron, Inc. 21.06.2021

Content subject to change.

Patent information available at [www.ergotron.com/patents](http://www.ergotron.com/patents).

Ergotron devices are not intended to cure, treat, mitigate or prevent any disease.

WorkFit, StyleView, LearnFit, Neo-Flex, PowerShuttle, LiFeKinnex, CareFit, eKinnex and TRACE are trademarks of Ergotron.

