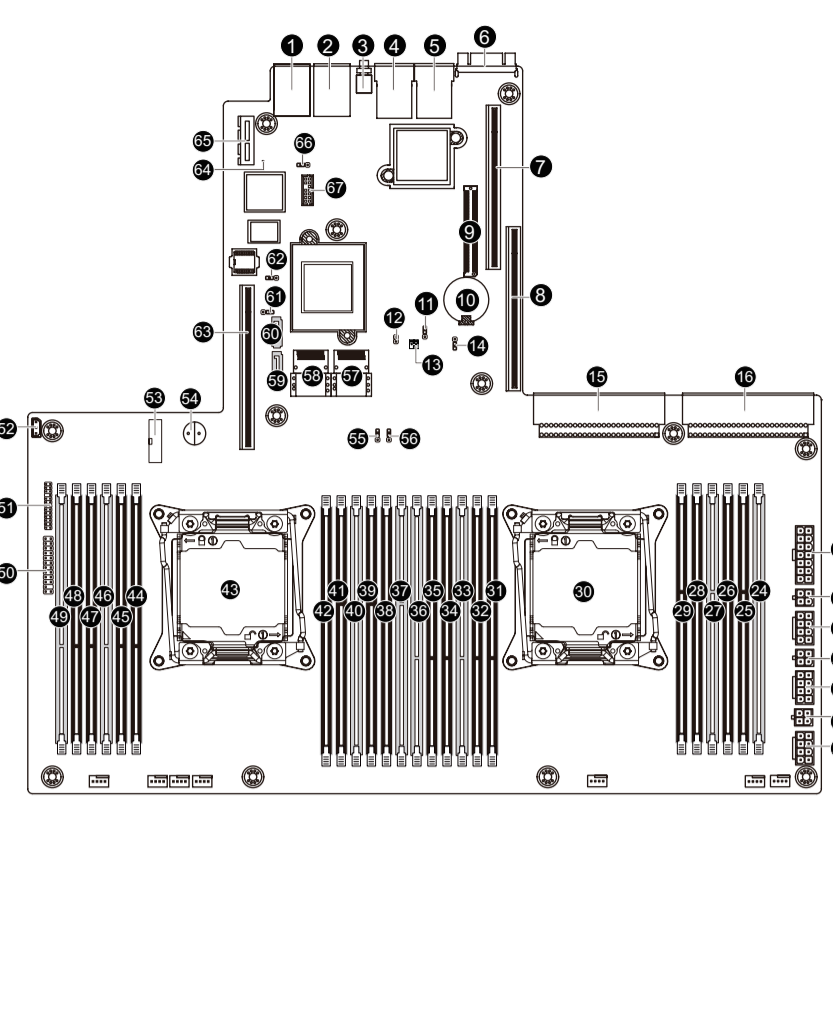


# R28N-F3C/R28N-F20 Quick Installation Guide

## Motherboard Components



No.	Code	Description
1	USB3_MLAN	BMC Management LAN port (top) / USB 3.0 ports (bottom)
2	COM1_USB2	ID switch button w/LED
3	SW_ID	ID switch button w/LED
4	LAN1	LAN port #1
5	LAN2	LAN port #2
6	VGA	VGA port
7	RISER_2	PCI Express x16 slot
8	RISER_3	PCI Express x16 slot
9	PCI_4	PCI Express x16 slot (mezzanine type)
10	BAT	Battery socket
11	S3_MASK	S3 Power On Select jumper
12	CASE_OPEN	1-2 Close: Stop an initial power on when BMC is not ready.
13	SW_RAID	2-3 Close: Keep initial power on. (Default setting)
14	CLR_CMOS	Clear CMOS jumper
15	PSU1	Hot-plug PSU module connector#1
16	PSU2	Hot-plug PSU module connector#1
17	ATX1	14 pin main power connector
18	12V_GPU3_2	4 pin 12V power connector
19	12V_GPU3_1	8 pin power connector
20	12V_GPU2_2	4 pin 12V power connector
21	12V_GPU2_1	8 pin power connector
22	12V_GPU1_2	4 pin 12V power connector
23	12V_GPU1_1	8 pin power connector
24	DIMM_P1_E0	Channel 1 slot 0 (for secondary CPU)
25	DIMM_P1_E1	Channel 1 slot 1 (for secondary CPU)
26	DIMM_P1_E2	Channel 1 slot 2 (for secondary CPU)
27	DIMM_P1_F0	Channel 2 slot 0 (for secondary CPU)
28	DIMM_P1_F1	Channel 2 slot 1 (for secondary CPU)
29	DIMM_P1_F2	Channel 2 slot 2 (for secondary CPU)
30	CPU1	Intel LGA2011 Socket R3 (Secondary CPU)
31	DIMM_P1_H2	Channel 3 slot 2 (for secondary CPU)
32	DIMM_P1_H1	Channel 3 slot 1 (for secondary CPU)
33	DIMM_P1_H0	Channel 3 slot 0 (for secondary CPU)
34	DIMM_P1_G2	Channel 4 slot 2 (for secondary CPU)
35	DIMM_P1_G1	Channel 4 slot 1 (for secondary CPU)
36	DIMM_P1_G0	Channel 4 slot 0 (for secondary CPU)

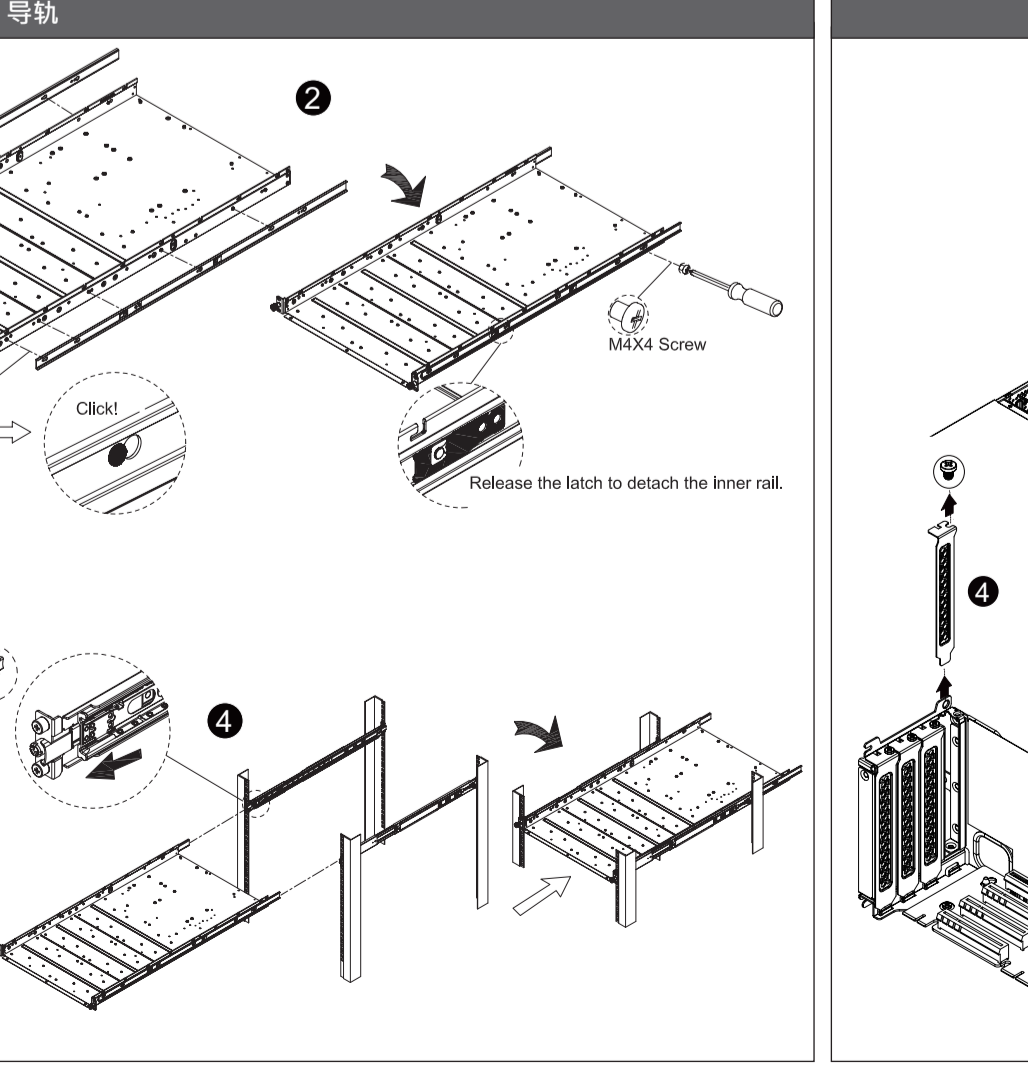
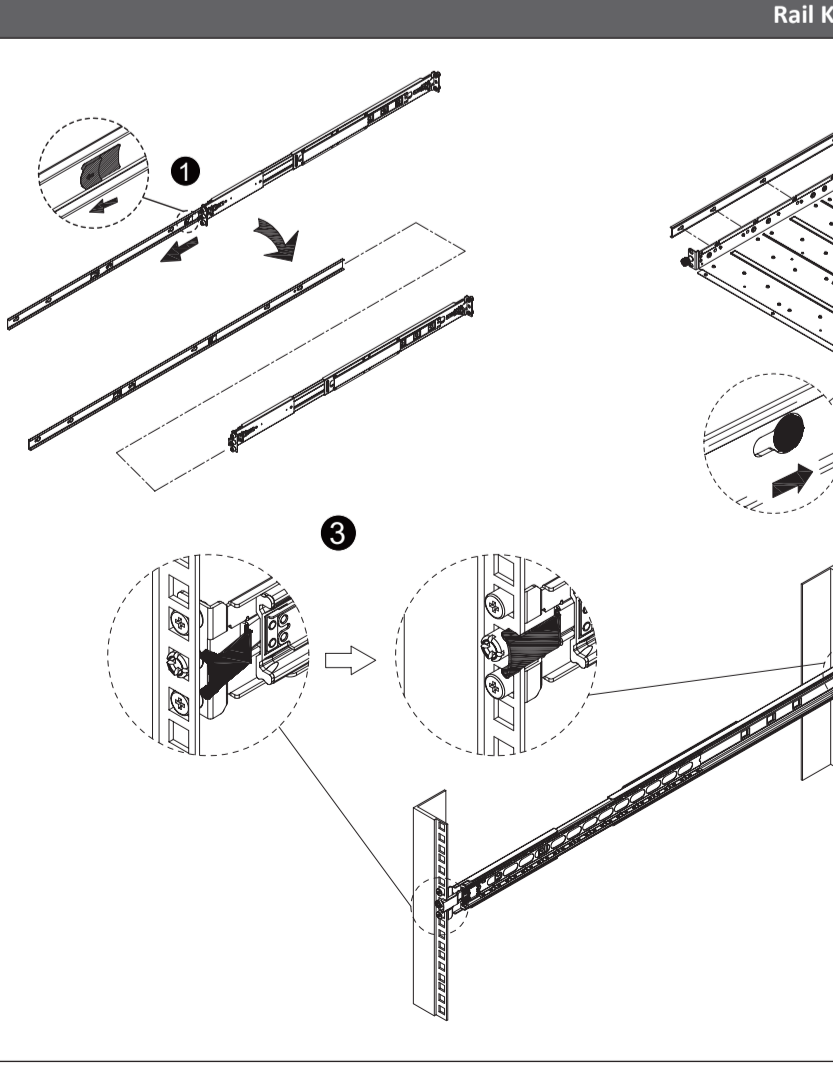
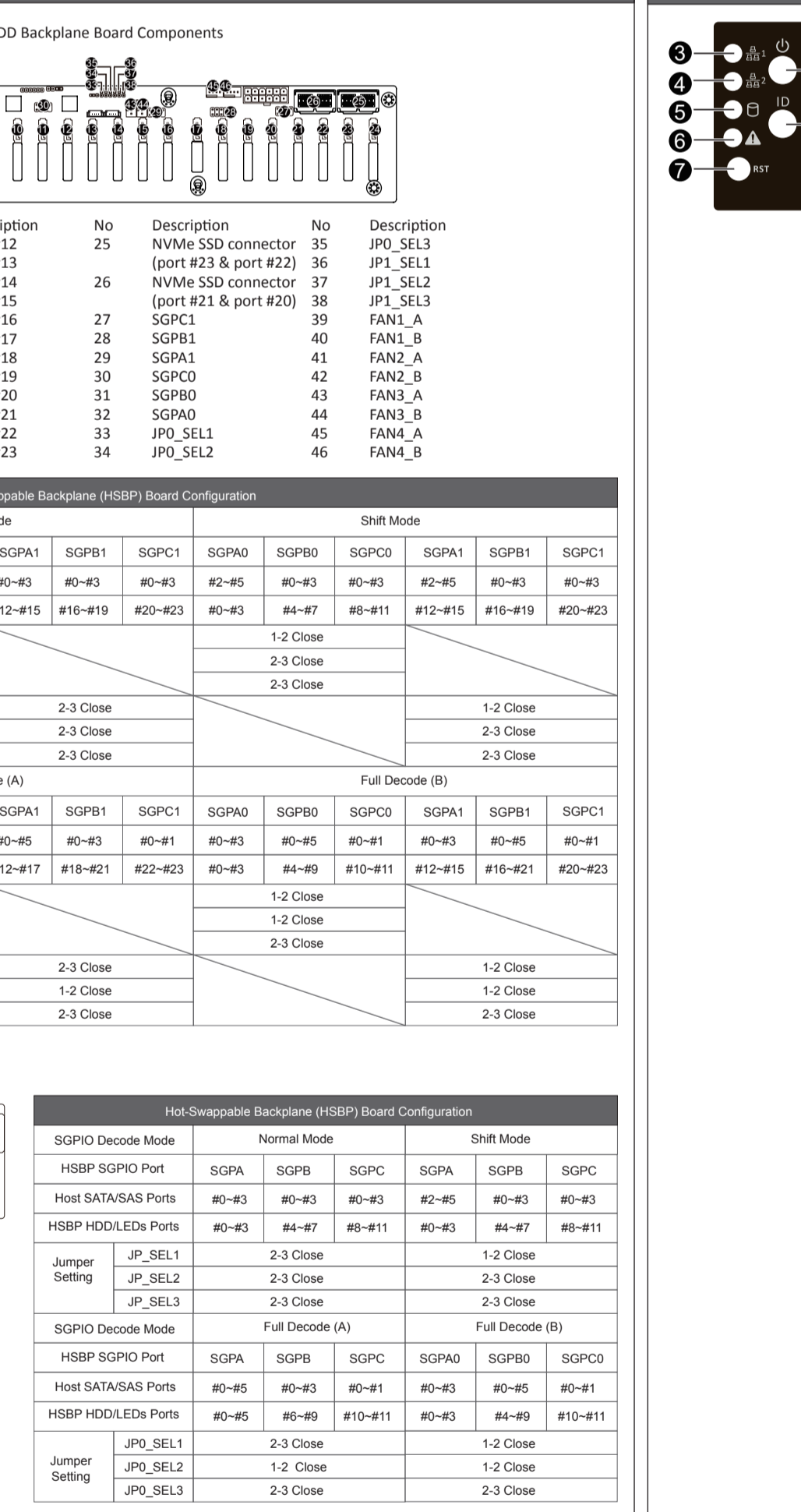
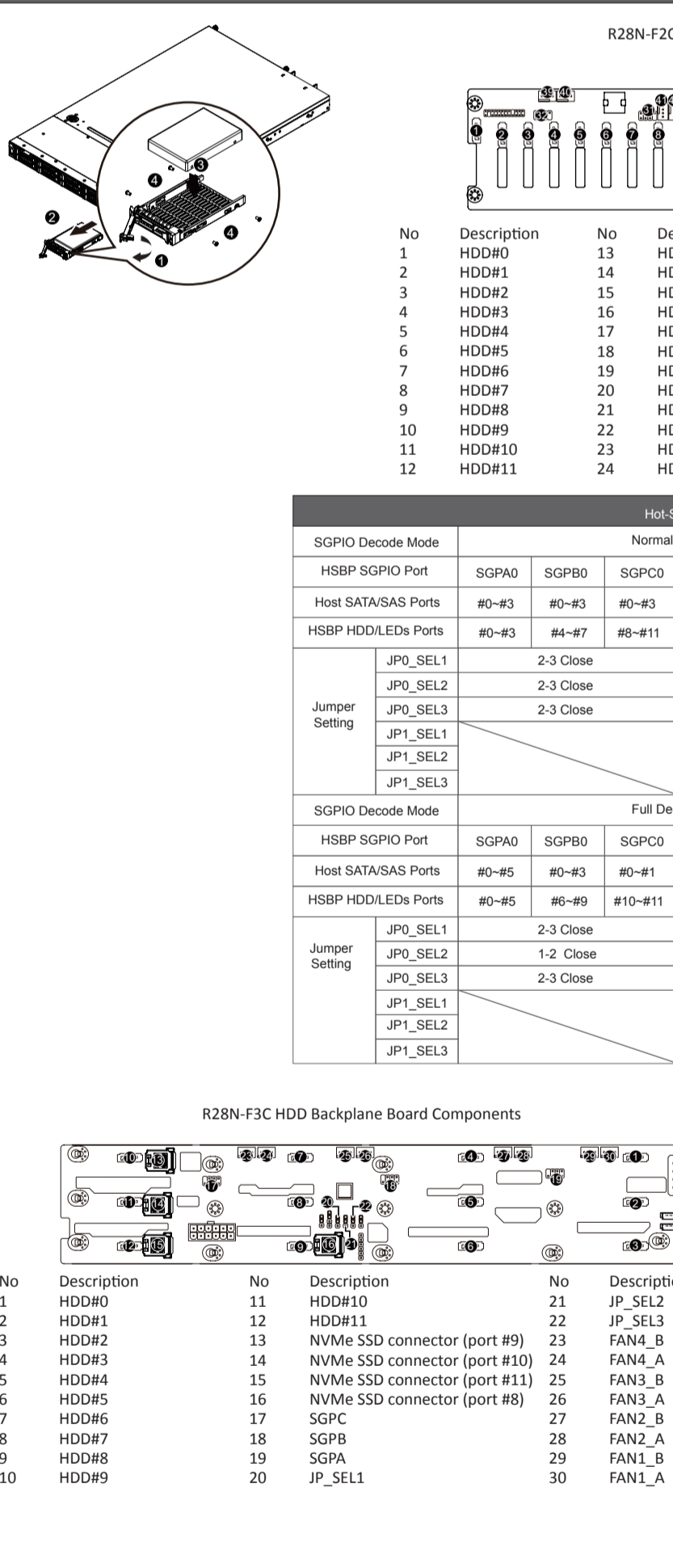
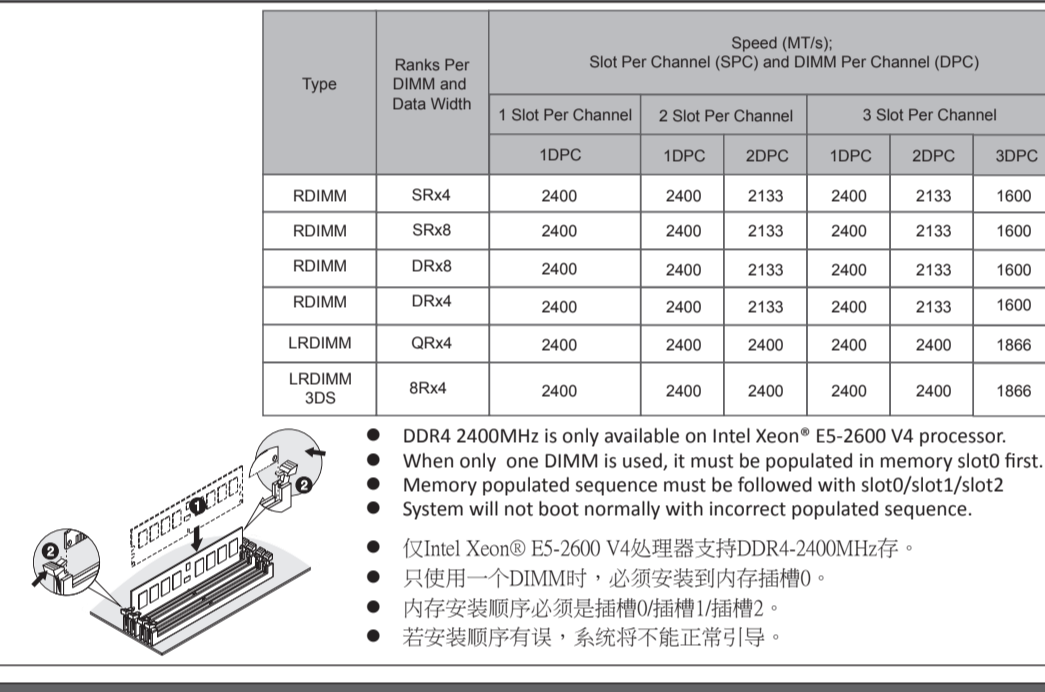
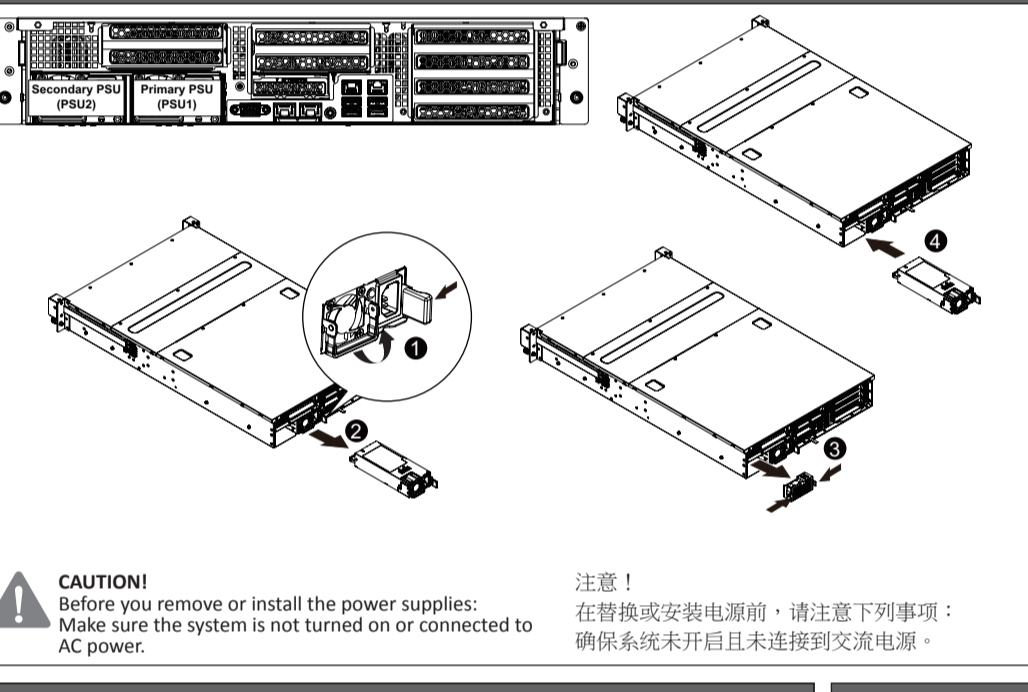
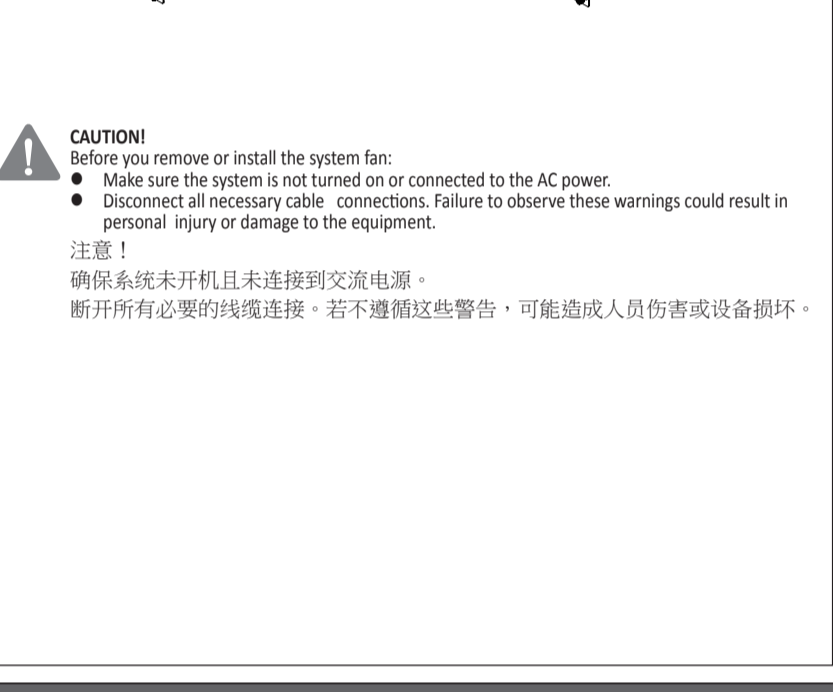
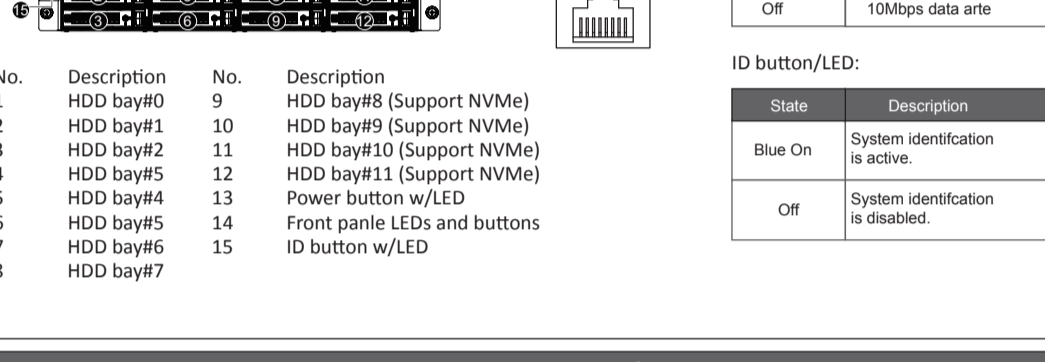
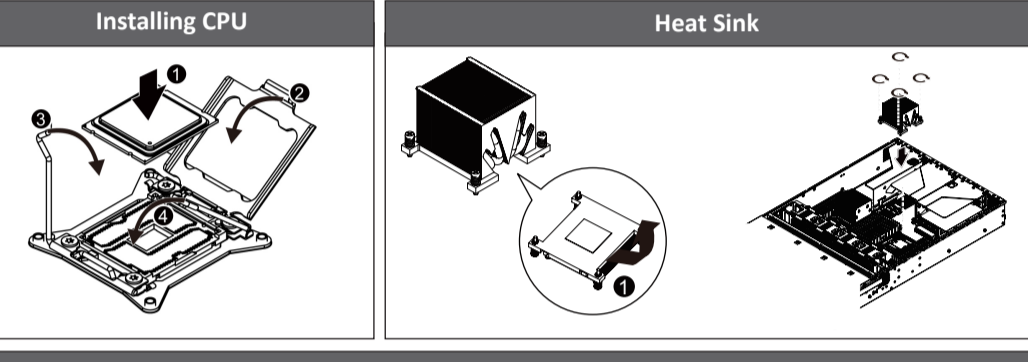
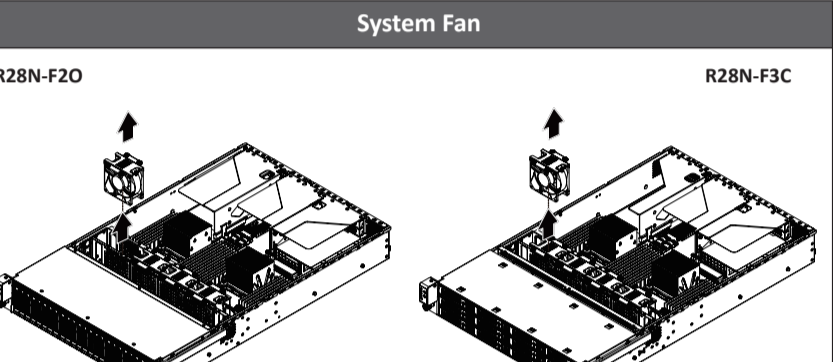
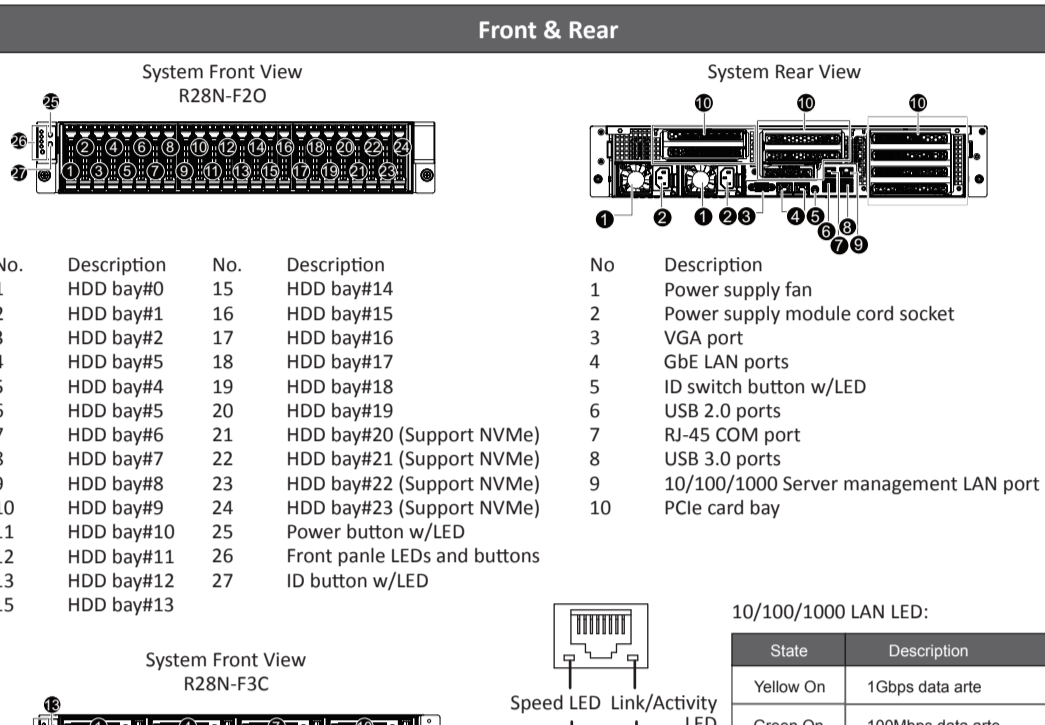
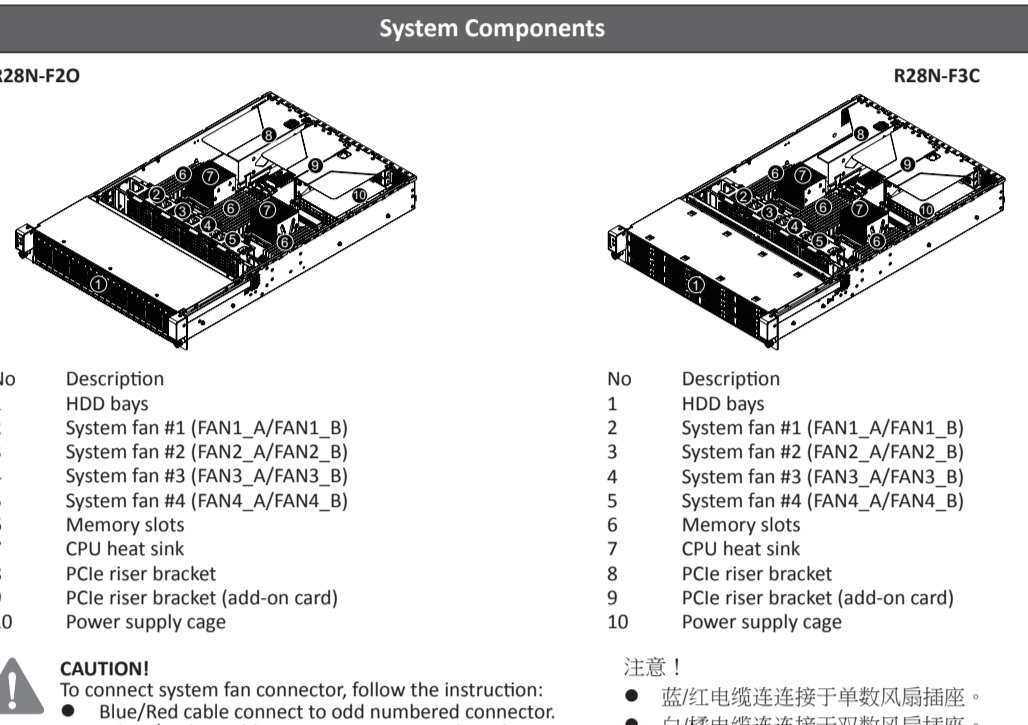
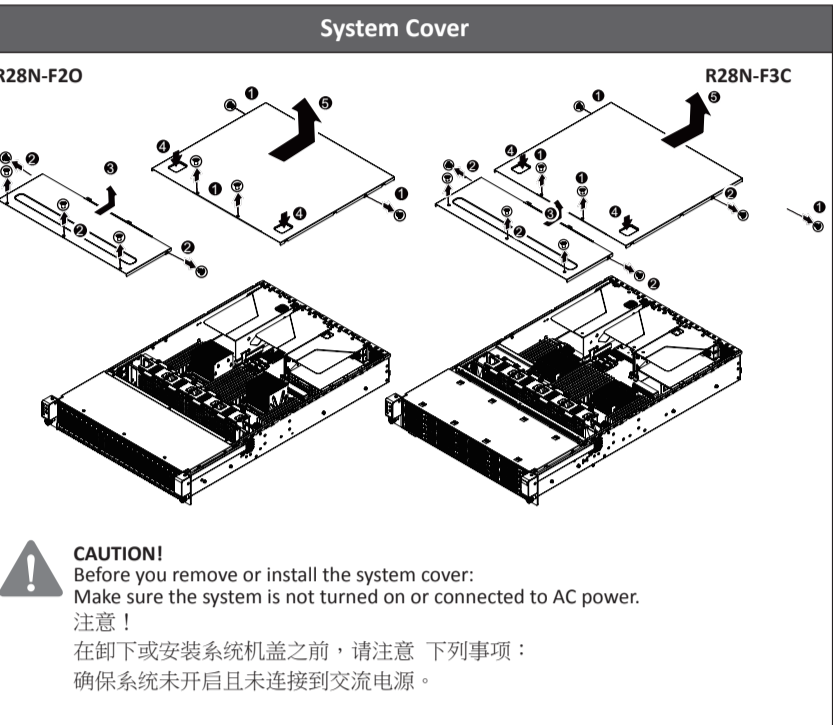
No.	Code	Description
37	DIMM_P0_A0	Channel 4 slot 0 (for primary CPU)
38	DIMM_P0_A1	Channel 1 slot 1 (for primary CPU)
39	DIMM_P0_A2	Channel 1 slot 2 (for primary CPU)
40	DIMM_P0_B0	Channel 2 slot 0 (for primary CPU)
41	DIMM_P0_B1	Channel 2 slot 1 (for primary CPU)
42	DIMM_P0_B2	Channel 2 slot 2 (for primary CPU)
43	CPU0	Intel LGA2011 Socket R3 (Primary CPU)
44	DIMM_P0_D2	Channel 4 slot 2 (for primary CPU)
45	DIMM_P0_D1	Channel 4 slot 1 (for primary CPU)
46	DIMM_P0_D0	Channel 4 slot 0 (for primary CPU)
47	DIMM_P0_C2	Channel 3 slot 2 (for primary CPU)
48	DIMM_P0_C1	Channel 3 slot 1 (for primary CPU)
49	DIMM_P0_C0	Channel 3 slot 0 (for primary CPU)
50	FP_1	Front panel header
51	BP_1	HDD back plane board header
52	IPMB	IPMB connector
53	F_USB3	USB 3.0 header
54	BUZZER1	Buzzer
55	PCH_ME	ME recovery jumper
56	ME_UPDATE	ME update jumper
57	MINI_CN1	Mini-SAS cable connector#1 supports SATA3 6Gb/s
58	MINI_CN2	Mini-SAS cable connector#2 supports SATA3 6Gb/s
59	SATA5	SATA3 6Gb/s connector
60	SATA4	SATA3 6Gb/s connector
61	BIOS_PWD	Clearing Supervisor Password jumper
62	BIOS_RVCR	1-2 Close: Normal operation. (Default setting)
63	RISER_1_2	1-2 Close: Normal operation. (Default setting)
64	LED_BMC	BMC firmware readiness LED
65	RISER_1_1	PCI Express x4 slot (extension slot)
66	BMC_FRB	Force to Stop FRB Timer jumper
67	TPM	TPM module connector

### Front Panel Header

No.	Pin Define	No.	Pin Define
24	Power LED+	2	5V Standby
25	No Pin	4	ID LED+
3	Power LED-	6	ID LED-
5	HDD LED+	8	System Front Board LED+
7	HDD LED-	10	System Status LED
9	Power Button	12	LAN1 Active LED+
11	GND	14	LAN1 Link LED-
13	GND	16	SMBus Data
15	Reset Button+	18	SMBus Clock
17	GND	20	Case Open
19	ID Switch+	22	LAN2 Active LED
21	ID Switch-	24	LAN2 Link LED-
23	NMI Switch-		

### HDD Back Plane Board Header

No.	Pin Define	No.	Pin Define
1	BP_SGP_CLK	2	No Connect
3	BP_SGP_GLD	4	FAN_SGP_GLD
5	BP_SGP_DOUT	6	GND
7	Key Pin	8	Reset
9	GND	10	BP_LED_A_N
11	BP_LED_G_N	12	GND
13	BP_SGP_DIN	14	No Connect
15	GND	16	SMB_BP_DATA
17	GND	18	SMB_BP_CLK
19	P_3V3_AUX	20	BMC_ACK
21	P_3V3_AUX	22	BMC_REQ
23	GND	24	Key Pin
25	BP_PRESENSE	26	GND



## WEEE Symbol Statement



The symbol shown below is on the product or on its packaging, which indicates that this product must not be disposed of with other waste. Instead, the device should be taken to the waste collection centers for activation of the treatment, collection, recycling and disposal procedure. The separate collection and recycling of your waste equipment at the time of disposal will help to conserve natural resources and ensure that it is recycled in a manner that protects human health and the environment. For more information about where you can drop off your waste equipment for recycling, please contact your local government office, your household waste disposal service or where you purchased the product for details of environmentally safe recycling.

- When your electrical or electronic equipment is no longer useful to you, "take it back" to your local or regional waste collection administration for recycling.
- If you need further assistance in recycling, reusing in your "end of life" product, you may contact us at the Customer Care number listed in your product's user's manual and we will be glad to help you with your effort.

## Restriction of Hazardous Substances (RoHS) Directive Statement

GIGABYTE products have not intended to add and safe from hazardous substances (Cd, Pb, Hg, Cr+6, PBDE and PBB). The parts and components have been carefully selected to meet RoHS requirement. Moreover, we at GIGABYTE are continuing our efforts to develop products that do not use internationally banned toxic chemicals.

## 限制使用有害物质 (RoHS) 指令声明

GIGABYTE产品未故意添加和使用有害物质(Cd、Pb、Hg、Cr+6、PBDE和PBB)。所有部件和元件均经过严格挑选,符合RoHS要求。此外,我们GIGABYTE一直致力于开发不使用国际上禁止的有毒化学品的产品。

## California Proposition 65 Warning

### WARNING:

This product contains a chemicals, including lead, known to the State of California to cause cancer and birth defects or other reproductive harm. For more information, please visit: <http://www.p65warnings.ca.gov/>



### Battery Warning:

Incorrectly installing a battery or using incompatible battery may increase the risk of fire explosion. Replace the battery only with the same or equivalent type.

- Do not disassemble, crush, puncture batteries.
- Do not store or place your battery pack next to or in a heat source such as a fire, heatgenerating appliance, can or exhaust vent. Heating battery cells to temperatures above 65oC (149oF) can cause explosion or fire.
- Do not attempt to open or service batteries. Do not dispose of batteries in a fire or with household waste.



### 电池警告:

电池安装不当或使用不兼容的电池会增加火灾爆炸风险。更换电池时,只可使用相同或同等类型的电池。

- 请勿拆解、挤压、刺破电池。
- 请勿将电池存放或放置在热源中或旁边,如火源、产生热的设备、罐体或排气口。电池温度升至65oC (149oF)以上可能导致爆炸或火灾。
- 请勿尝试打开或维修电池。电池废弃时,请勿投入火中或者作为家庭废弃物进行处理。

## 中华人民共和国电子信息产品中有毒有害物质或元素的名称及含量标识格式

依照中华人民共和国的有毒有害物质的限制要求(China RoHS)提供以下的表格:



关于符合中国《电子信息产品污染控制管理办法》的声明  
Management Methods on Control of Pollution from Electronic Information Products  
(China RoHS Declaration)

### 产品中有毒有害物质或元素的名称及含量

部件名称(Parts)	有毒有害物质或元素(Hazardous Substances)					
	铅(Pb)	汞(Hg)	镉(Cd)	六价铬(Cr (VI))	多溴联苯(PBB)	多溴二苯醚(PBDE)
PCB板 PCB	○	○	○	○	○	○
结构件及风扇 Mechanical parts and Fan	×	○	○	○	○	○
芯片及其他主动零件 Chip and other Active components	×	○	○	○	○	○
连接器 Connectors	×	○	○	○	○	○
被动电子元件 Passive Components	×	○	○	○	○	○
线材 Cables	○	○	○	○	○	○
焊锡金属 Soldering metal	○	○	○	○	○	○
助焊剂、密封胶、标签及其他耗材 Flux, Solder Paste, Label and other Consumable Materials	○	○	○	○	○	○

○:表示该有毒有害物质在该部件所有均质材料中的含量均在SJ/T11363-2006标准规定的限量要求以下。  
Indicates that this hazardous substance contained in all homogenous materials of this part is below the limit requirement SJ/T 11363-2006

×:表示该有毒有害物质至少在该部件的某一均质材料中的含量超出SJ/T11363-2006标准规定的限量要求。  
Indicates that this hazardous substance contained in at least one of the homogenous materials of this part is above the limit requirement in SJ/T 11363-2006

对销售之目的所发售产品, 本表显示我公司供应链的电子信息产品可能包含这些物质。注意, 在所售产品中可能会也可能不会含有所有所列的部件。  
This table shows where these substances may be found in the supply chain of our electronic information products, as of the date of the sale of the enclosed products. Note that some of the component types listed above may or may not be a part of the enclosed product.

For more information, visit our website at:

<http://b2b.gigabyte.com>

You are a professional?

Get access to our complete source of sales & marketing materials at:

<http://reseller.b2b.gigabyte.com>

Join our server forum to discuss our products and get technical assistance at:

<http://forum.b2b.gigabyte.com>



<https://www.facebook.com/gigabyteserver>