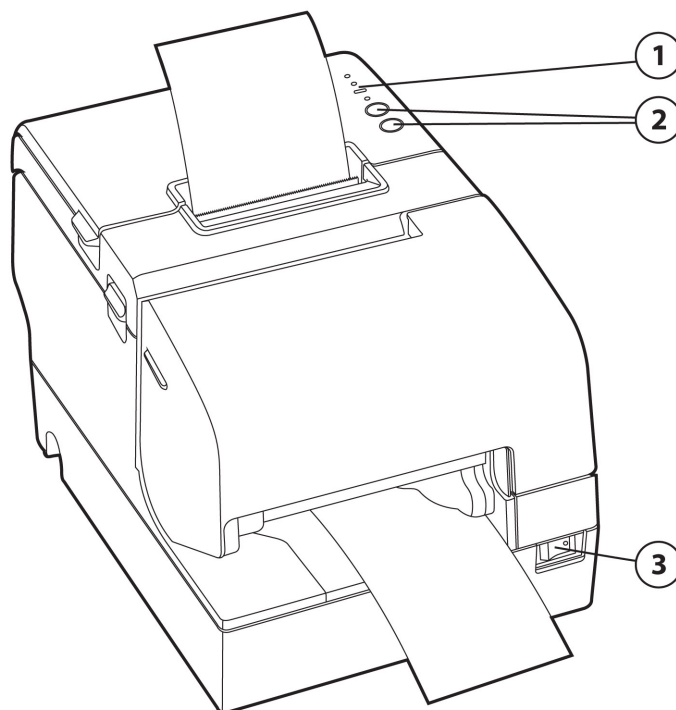


### Overview



1. Indicators:
  - A Power
  - B Error indicator
  - C Paper indicator
  - D Slip indicator
2. Buttons:
  - A Feed
  - B Release
3. On/Off button

---

## Models

Epson TM-H6000IV Multifunction Printer

D9Z51AA

---

### Overview

#### Introduction

The Epson TM-H6000IV Multifunction Printer is a high-speed, multi-function printer, ideal in any retail environment. Its fast print speed of high quality receipt text and enhanced graphics means you can keep customer lines moving by managing more, including rapid check processing and QuickPass form handling. With its high MICR accuracy, it reads more of the check area, helping to ensure an impressively high number of successful scans and check processing. With HP warranty and support, and expert engineering from Epson; it's easy to get the best of both worlds.

---

#### Key Benefits

- High end POS printer that prints both receipts and slips
  - Small size, simple design
  - Prints up to 70 lines per second
  - No separate power cable; connects to powered USB connection on POS system
  - Drop-in paper loading for easy operation
  - Built in MICR for check reading and validating
- 

#### Compatibility

The Epson TM-H6000IV Multifunction Printer is compatible with the HP Point of Sale Systems.

**NOTE:** Not all Point of Sale system models are available in all regions.

Not all HP Cash Drawer models are available in all regions.

This printer does not comply with fiscal requirements that may be required in certain countries.

---

#### Service and Support

Your HP Peripheral Limited Warranty is a three (3) year (HP Option Limited Warranty Period) parts replacement warranty.

### Technical Specifications

<b>General</b>	<p><b>Supported Character Sets</b> <b>Resident Code Pages:</b>            437 (US)            850(Multilingual Latin I)            852 (Latin II)            858(Multilingual Latin I + Euro)            860 (Portuguese)            863 (Canadian French)            865 (Nordic)            866 (Russian) (In Epson specs Cyrillic #2)            1252 (Latin I)</p> <p><b>Bar Codes</b> UPC-A, UPC-E, Code 39, Code 93, Code 128, ITF, JAN8 and JAN13 (EAN), Interleaved 2 of 5, Codabar, GS1-128, GS1 DataBar, PDF 417 (receipt station only)</p> <p><b>Printing Speed</b> Receipt Station Monochrome 70.9 LPS (300 mm/sec) Receipt Station multi-tone 2.76 - 5.91 LPS (70-150 mm/sec) Slip Station 5.7 LPS (16 mm/sec) Latter Bar Code 2-dimensional symbol printing 4.88 LPS (124 mm/s)</p> <p><b>Auto Cutter</b> Partial Cut</p> <p><b>Data Buffer</b> 128-byte</p> <p><b>Print Method</b> Receipt Station (Direct Thermal, 180 DPI); Slip Station (9-Pin Impact)</p> <p><b>Character Size</b> Receipt Station: 0.99 x 2.4mm (WxH), 1.41 x 3.39mm (WxH)            Slip Station: 1.56 x 3.1mm (WxH), 1.24 x 3.1mm (WxH)</p> <p><b>CPI</b> Slip Station (13.3 &amp; 17.8)</p> <p><b>Print Columns</b> Receipt Station: 56/42            Slip Station: 60/45</p> <p><b>Print Line Width</b> Receipt Station: 2.83 in. (72 mm)</p> <p><b>Paper Type</b> Normal paper, pressure-sensitive paper, carbon copy paper, specified thermal paper</p> <p><b>Paper Roll (W x L)</b> 2.68 in. to 9.06 in. W (68 to 230mm) x 2.68 in. to 11.69 in. L (68 to 297mm)</p>
<b>Mechanical</b>	<p><b>Dimensions (WxDxH)</b> 7.32 in. x 10.95 in. x 7.13in. (186 mm x 278 mm x 181 mm)</p> <p><b>Weight</b> Approximately 9.7 lbs (4.4 kg)</p>
<b>Interface/Connection</b>	<p><b>Interface</b> 24V Powered USB</p>
<b>Power</b>	<p><b>Voltage (typical)</b> 24V DC</p> <p><b>Current consumption</b> 1.7A (printing a typical receipt)            (typical) 1.8A (printing a typical slip)</p>
<b>Drivers</b>	<p>(EPSON APD, POPS ADK, JavaPOS ADK, TM Virtual Port Driver)</p>
<b>Operating Systems</b>	<p>Windows 8            Windows 7 Professional 32            Windows 7 Professional 64            Windows Vista Business 32            Windows XP Professional 32            Windows Embedded for Point of Service (WEPOS)            Windows Embedded POSReady 2009</p>
<b>Reliability</b>	<p>150 km paper/65 million lines/2 million autocuts</p>
<b>Agency Certifications</b>	

### Technical Specifications

**Option kit contents**      **NOTE:** This printer does not comply with fiscal requirements that may be required in certain countries.

---

### Checks

Check specifications for paper are defined by American Standards ANSI X9.13 and ANSI X9.18, and International Standard ISO 1004.

**Minimum check size**      70 mm (2.75") wide x 152 mm (6.00") long

**Maximum check size**      95 mm (3.75") wide x 222 mm (8.75") long

---

### MICR Reader

**Character sets/fonts**      E13B and CMC7 (Alphabetic characters are not supported)

**Check Read Rate**      99% minimum

---

© Copyright 2013 Hewlett-Packard Development Company, L.P. The information contained herein is subject to change without notice. The only warranties for HP products and services are set forth in the express warranty statements accompanying such products and services. Nothing herein should be construed as constituting an additional warranty. HP shall not be liable for technical or editorial errors or omissions contained herein.