



* All images in this datasheet are for illustrative purposes only.

TR3DK Series

A New Level of Classroom with **LG CreateBoard**



Genuine Touch & Writing Experience

Easy Connection & Sharing

Security & Compatibility

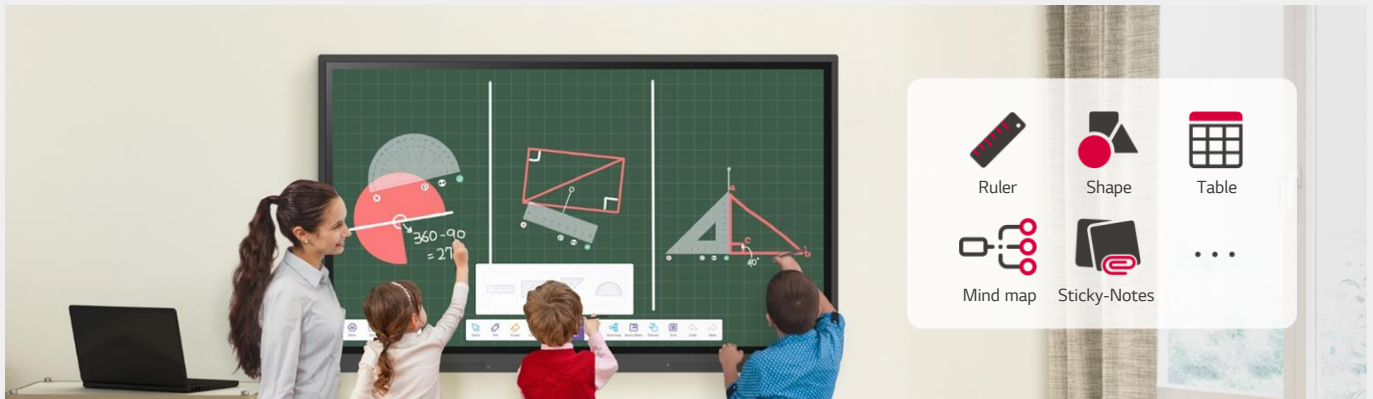
User Friendly Experience

Remote-control Services

TR3DK Series

	Inch	86" / 75" / 65" / 55"
Display	Native Resolution	3,840 × 2,160 (UHD)
	Brightness (w/o Glass)	440 nit (Max.), 390 nit (Typ.)
	Touch	Multi-Touch Point Max. 40 Points
Connectivity	Input	HDMI (3, HDCP2.2), RGB (1, VGA), Audio (1), RS-232C (1), RJ45(1, LAN), USB3.0 Type A (4), USB2.0 Type A (1), USB Type-C (1, USB-PD, DP-Alt)
	Output	HDMI (1), Audio Out (1, Optical 1(SPDIF)), Touch USB (2), RJ45(1, LAN)

CREATIVE WHITEBOARD SOLUTION



Various Teaching Templates

LG CreateBoard offers a variety of educational templates and teaching tools such as a ruler, table, and sticky notes, allowing for active engagement by students and enabling intuitive classes. Editing images and videos becomes easy with LG CreateBoard, and created resources can be easily shared with others through QR codes.

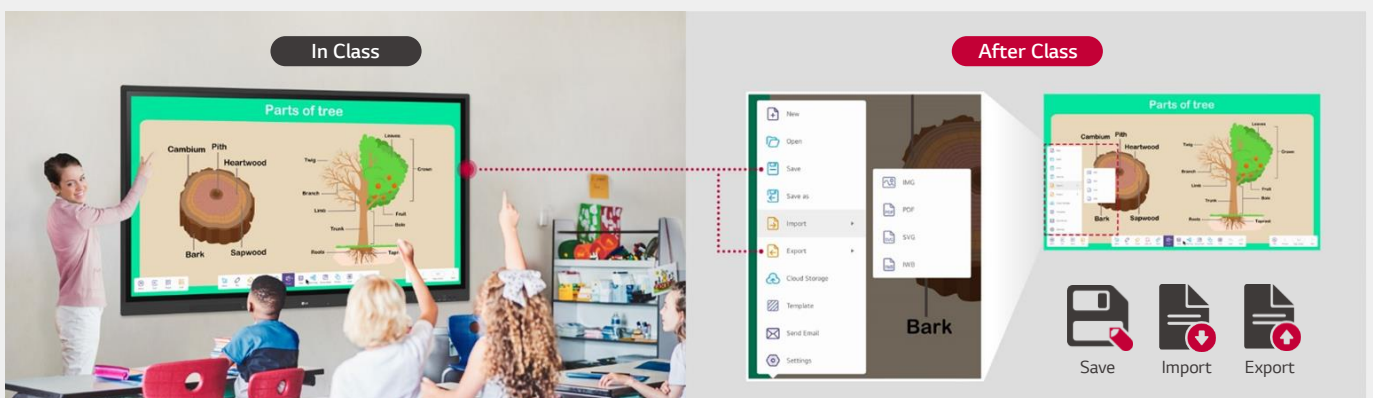


Multi-touch

LG CreateBoard can simultaneously detect up to 40 points for multi-touch functionality. This creates a lifelike board touch experience, helping students easily become accustomed and truly engage in classes. This leads to the maximum concentration and organic engagement of students.

* A max of 32 points are recognized in the Android environment, and a max of 40 points are detected in the Windows environment.

* Up to 10 points can be recognized in the writing app.



Easy to Save / Import / Export

LG CreateBoard includes simple import and export functionality. Resources can be saved and imported directly to and from Google Drive or OneDrive, and files can be imported from a USB drive (Users can browse resources saved on USB storage).

* All images in this datasheet are for illustrative purposes only.

REMOTE MANAGEMENT SOLUTION

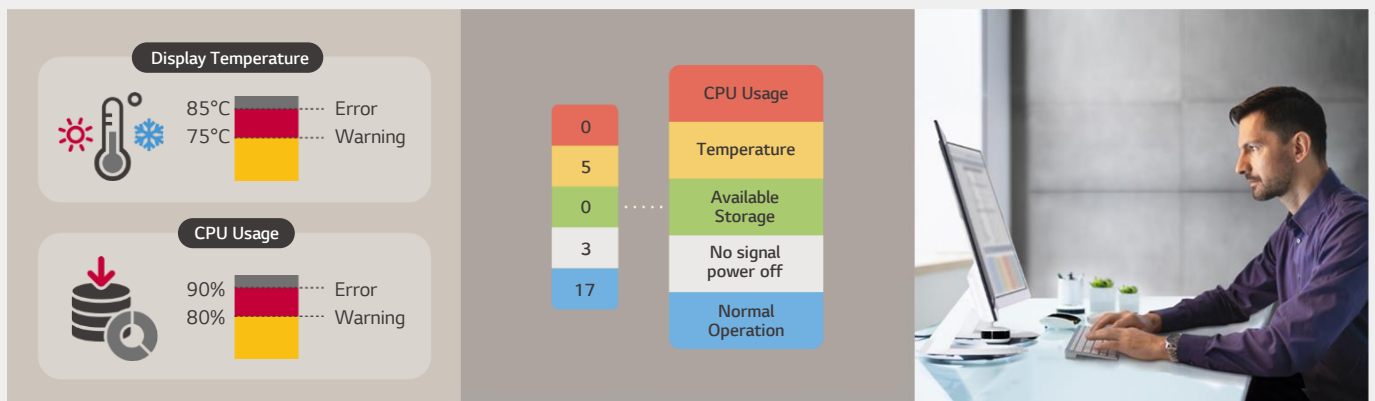


LG ConnectedCare DMS

LG ConnectedCare DMS is a cloud solution for remotely monitoring, controlling, and managing the status of LG CreateBoard installed in educational environments. This feature enables IT managers to operate and manage important resources on operating devices without physically visiting sites.

* 'LG ConnectedCare DMS' needs to be purchased separately.

* The availability of the 'LG ConnectedCare DMS' service differs by region, so please contact the LG sales representative in your region for more details.



Threshold Settings

Users can set thresholds in eight categories including display temperature, memory usage, or signal, and can receive warning or error notifications based on their threshold settings.

Monitoring & Fault Diagnosis

An engineer can check the status in real-time and diagnose problems remotely. Also, the current status of issues can be categorized, allowing for easy viewing and quick responses.

Issue Management

Remote issue management can be carried out by the LG ConnectedCare DMS solution. This makes management safer and more efficient, facilitating the stable operation of the classroom.



Remote-control Services

Frequently used controls such as the power on/off, scheduling, brightness, and screen lock functions can be applied using a remote control. Content including images, videos, audio messages, or live streaming can be remotely shared with connected devices.

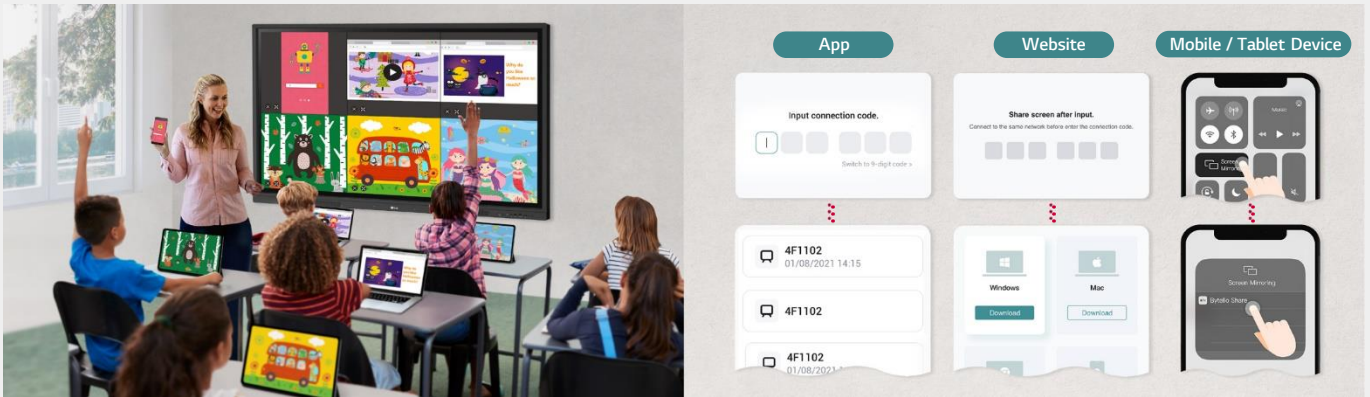


Broadcasting

In case of emergency situations such as a fire or a natural disaster, emergency warning alerts will be sent from the main system, which help teachers and students promptly take safety action. When the message is sent out to the device, LG CreateBoard interrupts the current display and sends out emergency messages along with warning sounds.

* All images in this datasheet are for illustrative purposes only.

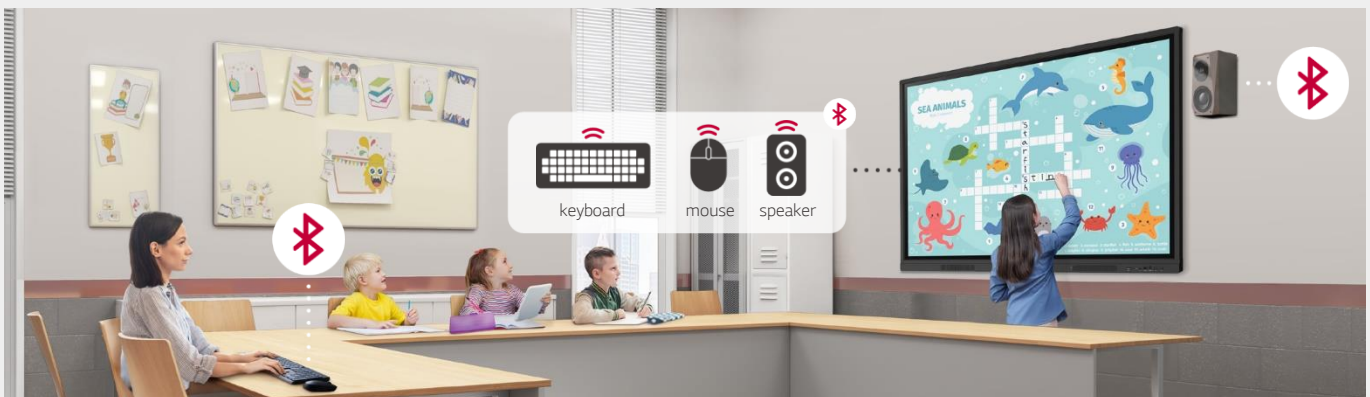
EASY CONNECTION & SHARING



Wireless ScreenShare

LG CreateBoard Share enables users to show up to 9 shared screens or a file on a screen in real-time when the LG CreateBoard Share app is installed on the device. Also, files from the host can be easily sent to any devices connected to the LG CreateBoard Share app, and several quick controls by the host are available.

- * LG CreateBoard also supports app-less sharing for PC (via website) and mobile devices within the same network.
- * For a more stable connection, we recommend the installation of a dedicated app (LG CreateBoard Share).



Bluetooth Connectivity

LG CreateBoard supports wireless Bluetooth connections to various devices such as a speaker, mouse, keyboard, etc. This is optimal for building a hybrid environment so that online and offline classes can proceed smoothly.



C-type Connection

USB-C connectivity simplifies connections which enables charging and sending data simultaneously over just one single cable.

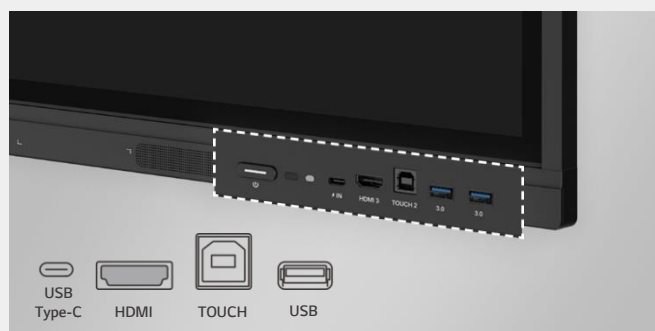
- * USB Type-C cables are sold separately.

OTHER FEATURES



QR Login for Easy Cloud Access

The QR code on the home screen reduces preparation time for class by enabling personal device verification. Users can sign up for a variety of apps on the LG CreateBoard including Google Drive and OneDrive with just one QR verification without any additional login process. Once a lesson is finished, users can simply click the Logout button to disconnect, thus the risk of a personal information leak is reduced.



Front Connectivity Design

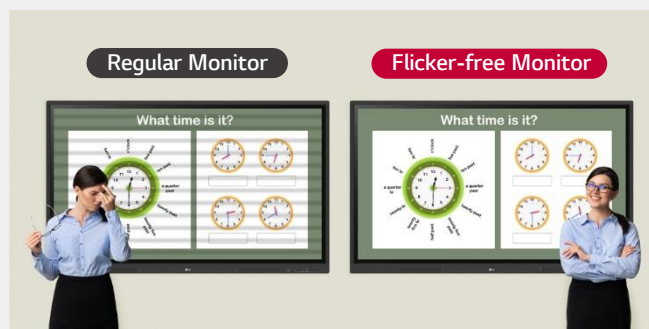
LG CreateBoard features front display ports and speakers which are ideal for both teachers and students, enabling content to be delivered easier with more immersive sound.



Smart Viewing

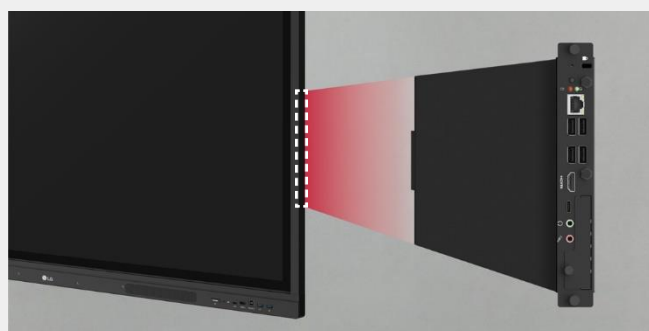
The Smart Viewing feature of LG CreateBoard enables efficient teaching. Two or more materials can be displayed on the same screen simultaneously without having to repeat Alt-tab, making teaching more convenient and efficient. Two materials can be displayed side by side (multi window mode), or one material can be overlaid on the other one (picture-in-picture mode).

* Multi window mode may not work for some apps.
* PIP mode is available for the external source screen.



Advanced Eye-Care

LG CreateBoard has introduced a flicker-free function. With the reduced flickering of the monitor's backlight, users can use the device with more comfort even when using it for a long time.



Built-in OPS Slot

LG CreateBoard supports OPS slots, allowing you to easily and conveniently mount OPS desktop at the back of the LG CreateBoard without the hassle of connecting to an external desktop, offering you more expanded functions.

* OPS : Open Pluggable Specification

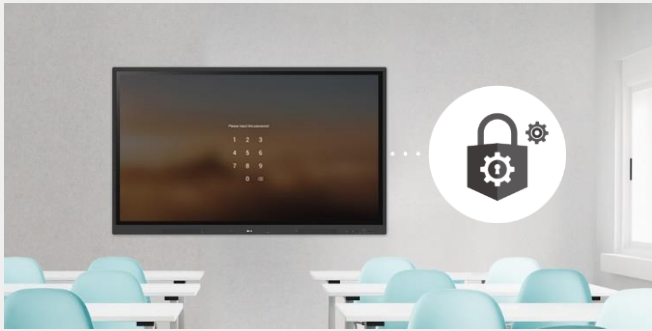


Power Saving

When a device doesn't receive an external input signal for a specific amount of time set by the user, the device goes into standby mode. Devices can also be automatically turned on or off at specific time or day set by the user, which contributes to save energy.

OTHER FEATURES

SECURE FUNCTION



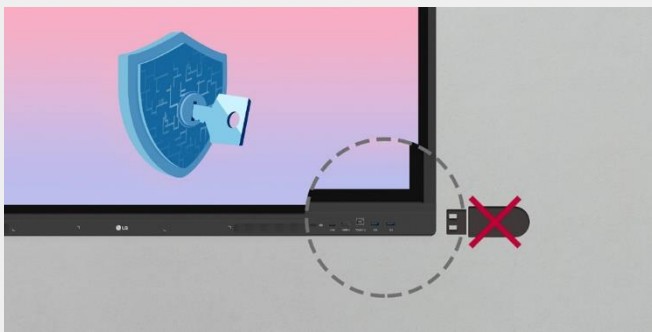
Screen Lock

Teachers can lock the screen using the Screen Lock function, and unlock it by entering a password. Users can set the Screen Lock in the Settings menu to protect the device from unidentified users.



Secure Mode

LG CreateBoard supports Secure Mode that disables the LG CreateBoard Share function to prevent unauthorized content from being shown on various devices.



USB Lock Mode

USB Lock Mode is a security measure that helps prevent data from being copied to unauthorized devices, which is essential when being used in spaces where security is critical.



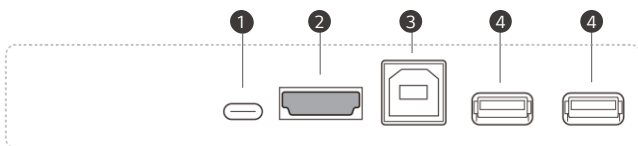
Auto-remove Files

Users can set LG CreateBoard to delete files regularly for enhanced security.

* All images in this datasheet are for illustrative purposes only.

CONNECTIVITY

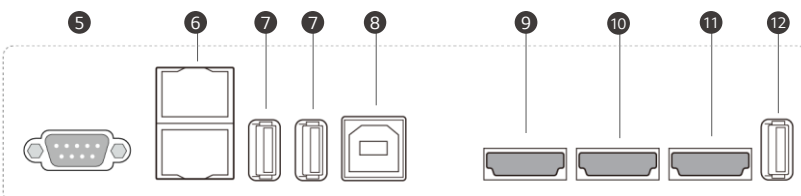
Front



Bottom



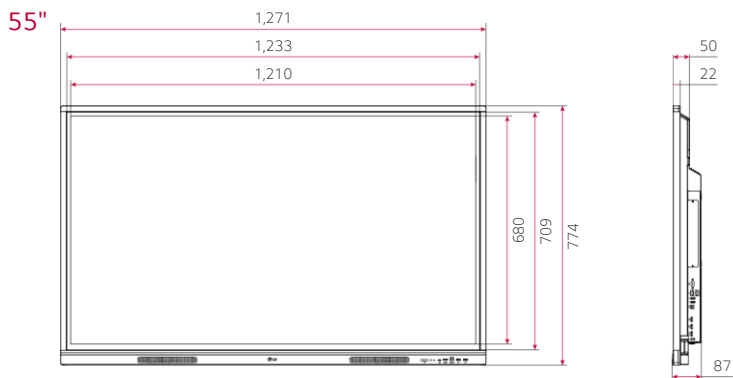
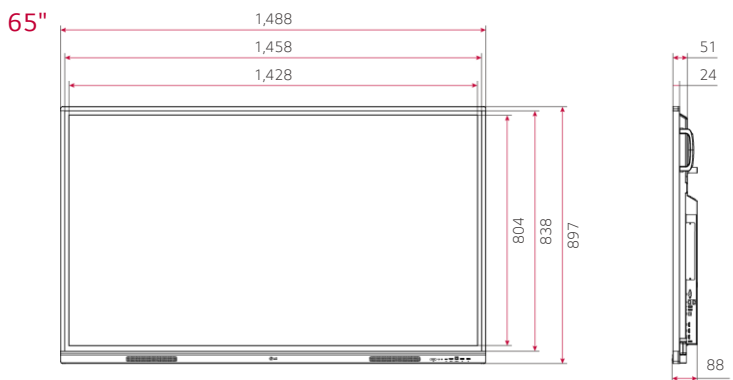
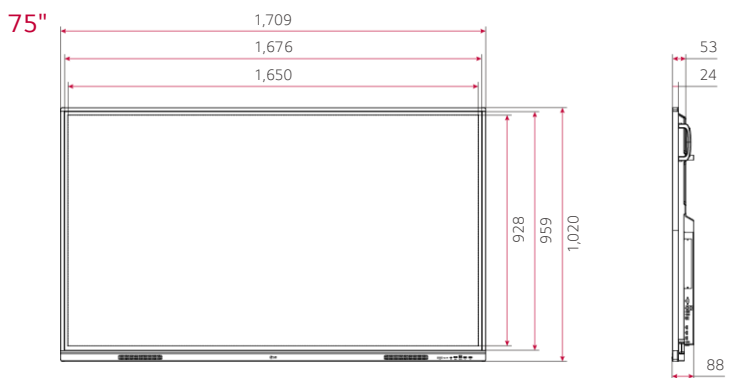
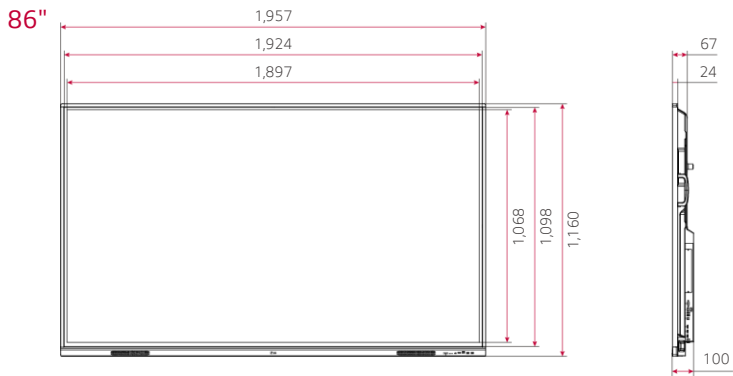
Side



- | | | |
|--------------|-------------|--------------|
| 1 USB Type-C | 7 USB 3.0 | 13 SPDIF |
| 2 HDMI 3 | 8 TOUCH 1 | 14 AUDIO OUT |
| 3 TOUCH 2 | 9 HDMI 1 | 15 AUDIO IN |
| 4 USB 3.0 | 10 HDMI 2 | 16 VGA |
| 5 RS-232C | 11 HDMI OUT | 17 SWITCH |
| 6 LAN | 12 USB 2.0 | 18 POWER |

* Jack Panels may differ from the above image, so please contact LG sales team to verify before ordering.

DIMENSION (unit: mm)



* Dimensions may differ from the above image, so please contact LG sales team to verify before ordering.

SPECIFICATIONS

		86TR3DK	75TR3DK	65TR3DK	55TR3DK	
Panel	Screen Size	86"	75"	65"	55"	
	Panel Technology	IPS	IPS	VA	VA	
	Back Light Type	Direct	Direct	Direct	Direct	
	Aspect Ratio	16:9	16:9	16:9	16:9	
	Native Resolution	3,840 x 2,160 (UHD)	3,840 x 2,160 (UHD)	3,840 x 2,160 (UHD)	3,840 x 2,160 (UHD)	
	Refresh Rate	60 Hz	60 Hz	60 Hz	60 Hz	
	Brightness	440 nit (w/o Glass Max.), 390 nit (w/o Glass Typ.)	440 nit (w/o Glass Max.), 390 nit (w/o Glass Typ.)	440 nit (w/o Glass Max.), 390 nit (w/o Glass Typ.)	440 nit (w/o Glass Max.), 390 nit (w/o Glass Typ.)	
	Contrast Ratio	1,200:1	1,200:1	1,200:1	1,200:1	
	Color Gamut	NTSC 68%	NTSC 72%	NTSC 72%	NTSC 72%	
	Viewing Angle (H x V)	178 x 178	178 x 178	178 x 178	178 x 178	
	Color Depth	1.07 B (10 bit)	10 bit (8 bit + FRC)	10 bit (8 bit + FRC)	10 bit (8 bit + FRC)	
	Response Time	8 ms	8 ms	8 ms	8 ms	
	Surface Treatment (Haze)	28%	25%	25%	25%	
	Lifetime	30,000 Hrs (Min.)	30,000 Hrs (Min.)	30,000 Hrs (Min.)	30,000 Hrs (Min.)	
Operation Hours (Hours / Day)	16 / 7	16 / 7	16 / 7	16 / 7		
Portrait / Landscape	No / Yes	No / Yes	No / Yes	No / Yes		
Connectivity	Input	HDMI (3, HDCP 2.2), RGB (VGA), Audio In, RS-232C In, RJ45 (LAN), USB 3.0 Type A (4), USB 2.0 Type A, USB Type C (USB-PD, DP-Alt)				
	Output	HDMI Out, Audio Out (1, Optical 1 (SPDIF)), Touch USB (2), RJ45 (LAN)				
Mechanical Specification	Bezel Color	Black	Black	Black	Black	
	Bezel Width (T / R / L / B)	15 / 15 / 15 / 44 mm	15 / 15 / 15 / 44 mm	15 / 15 / 15 / 44 mm	18 / 18 / 18 / 45 mm	
	Weight (Head)	58.6 kg	47.3 kg	35.0 kg	26.1 kg	
	Packed Weight	75.9 kg	60.6 kg	44.7 kg	34.5 kg	
	Monitor Dimension (W x H x D)	1,957 x 1,160 x 100 mm	1,709 x 1,020 x 88 mm	1,488.4 x 896.6 x 87.2 mm	1,271 x 774 x 87 mm	
	Carton Dimensions (W x H x D) (Box Outer Size)	2,110 x 1,283 x 225 mm	1,863 x 1,140 x 225 mm	1,628 x 1,005 x 208 mm	1,401 x 859 x 220 mm	
	Handle	Yes	Yes	Yes	Yes	
VESA™ Standard Mount Interface	800 x 600	800 x 400	600 x 400	400 x 200		
Key Feature	Internal Memory (32 GB), Built-In Wi-Fi (Slot Type), Auto Brightness Sensor, Power Indicator, webOS ver. (Android 11.0), Background Image (Booting Logo Image), Multi-screen (PIP / PBP, External Source), Screen Share (LG CreateBoard Share), Power (Smart Energy Saving, Wake on LAN)					
Environment Conditions	Operation Temperature (°C)	0 to 40	0 to 40	0 to 40	0 to 40	
	Operation Humidity	10% to 90% RH	10% to 90% RH	10% to 90% RH	10% to 90% RH	
Power	Power Supply	100-240 V ~, 50/60 Hz, 5.5 A	100-240 V ~, 50/60 Hz, 4.0 A	100-240 V ~, 50/60 Hz, 4.0 A	100-240 V ~, 50/60 Hz, 3.5 A	
	Power Type	Built-In Power	Built-In Power	Built-In Power	Built-In Power	
	Power Consumption	Typ. / Max.	385 / 580 W	225 / 430 W	220 / 420 W	170 / 395 W
		BTU (British Thermal Unit)	1,314 BTU/Hr (Typ.), 1,979 BTU/Hr (Max.)	768 BTU/Hr (Typ.), 1,467 BTU/Hr (Max.)	751 BTU/Hr (Typ.), 1,433 BTU/Hr (Max.)	580 BTU/Hr (Typ.), 1,348 BTU/Hr (Max.)
		DPM	0.5 W↓	0.5 W↓	0.5 W↓	0.5 W↓
Power off	0.5 W↓	0.5 W↓	0.5 W↓	0.5 W↓		
Sound	Speaker	Yes (1.5 W x 2)	Yes (1.5 W x 2)	Yes (1.5 W x 2)	Yes (1.5 W x 2)	
Standard (Certification)	Safety	CB / NRTL	CB / NRTL	CB / NRTL	CB / NRTL	
	EMC	FCC Class "A" / CE / KC	FCC Class "A" / CE / KC	FCC Class "A" / CE / KC	FCC Class "A" / CE / KC	
	ErP / Energy Star	Yes / Yes	Yes / Yes	Yes / Yes	Yes / Yes	
OPS Compatibility	OPS Type Compatible	Yes (Slot)	Yes (Slot)	Yes (Slot)	Yes (Slot)	
	OPS Power Built In	Yes	Yes	Yes	Yes	
Software Compatibility	LG ConnectedCare ¹⁾	Yes				
	LG ConnectedCare DMS ¹⁾	Yes				
Language	English, Denmark, Finnish, German, Korean, Norwegian, Polski, Portugues (Europe), Portugues (Brazil), Romanian, Spanish, Swedish, Hungarian, Thai					
Accessory	Basic	Power Cord (3 M x 1), USB Cable (Type A-Type B) 5 M x 1, HDMI Cable (3 M x 1), Writing Pen x 2 Pcs, User Manual, QSG, Carton Box, Remote Controller, Wi-Fi Module				
Special Feature	Touch	Available Object Size for Touch	Ø2 mm↑	Ø2 mm↑	Ø2 mm↑	Ø2 mm↑
		Response Time	≤5 ms	≤5 ms	≤5 ms	≤5 ms
		Accuracy	±1 mm	±1 mm	±1 mm	±1 mm
		Interface	USB 2.0	USB 2.0	USB 2.0	USB 2.0
		Protection Glass Thickness	3 T (Anti-Glare)	3 T (Anti-Glare)	3 T (Anti-Glare)	3 T (Anti-Glare)
		Protection Glass Transmission	88%	88%	88%	88%
		Operating System Support	Windows 7 / 8 / 10 / Linux / Mac / Android (Supports one point touch on Linux / Mac)			
Multi Touch Point	Max. 40 Points	Max. 40 Points	Max. 40 Points	Max. 40 Points		
Android System	SoC	Quad Core A55				
	GPU	Mali G52MP2				
	Internal Memory	Storage	32 GB			
		RAM	4 GB			
	Wi-Fi	802.11a/b/g/n/ac/ax (Wi-Fi 6)				
	LAN	Gigabit LAN				
Bluetooth	Bluetooth 5.0					

¹⁾ The availability can differ by region.

* Specifications are subject to change without notice. Please make sure to check the product manual for details about product usage.



Download
LG C-Display
Mobile App
Google Play Store

www.lg.com/global/business/information-display
www.youtube.com/c/LGCommercialDisplay
www.facebook.com/LGInformationDisplay
www.linkedin.com/company/LGinformationdisplay
twitter.com/LG_ID_HQ

LG may make changes to specifications and product descriptions without notice. Copyright © 2023 LG Electronics Inc. All rights reserved. "LG Life's Good" is a registered trademark of LG Corp. The names of products and brands mentioned here may be the trademarks of their respective owners.