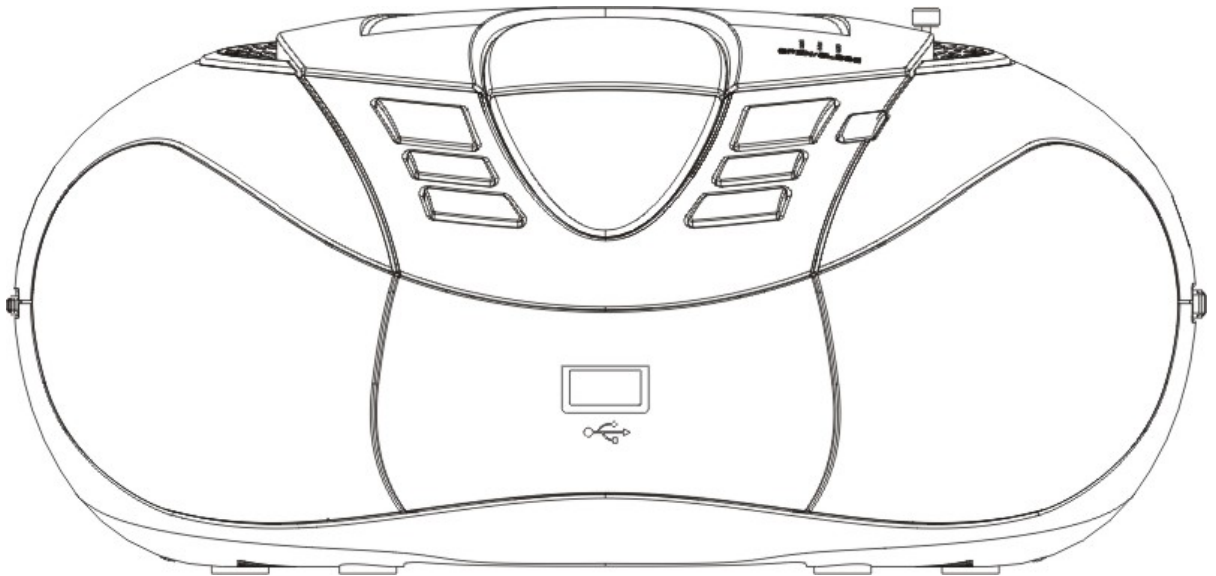


User Manual

SCD-37 USB



For information and support, www.lenco.eu

CONTENT

1. PRECAUTIONS.....	01
2. MAINTENANCE.....	02
3. SPECIFICATION.....	02
4. PARTS NAME AND FUNCTIONS.....	03
4.1 PARTS ON THE FRONT OF THE PLAYER.....	03
4.2 PARTS ON THE LEFT SIDE OF THE PLAYER.....	04
4.3 PARTS ON THE REAR OF THE PLAYE.....	05
4.4 PARTS ON THE RIGHT OF THE PLAYER.....	05
5. CHOOSING THE POWER SOURCES.....	06
5.1 Connecting the AC power cord.....	06
5.2 Connecting to USB storage.....	06
5.3 Using the player on batteries.....	06
6. PLAYING A CD OR MP3.....	06
7. REPEAT AND PROGRAMMED PLAY.....	07
7.1 Repeat play.....	07
7.2 Programmed play.....	07
8. PLAYING OTHER AUDIO DEVICES THROUGH YOUR SET.....	07
9. LISTENING TO THE RADIO.....	08
10. TROUBLE SHOOTING.....	09

1. PRECAUTIONS

Thank you for purchasing CD player. Please read this manual carefully before operating and reserve it for future reference. It will be helpful to you if you encounter any operational problem.

On Safety

- As the laser beam used in the CD player section may be harmful to the eyes, do not attempt to disassemble the cabinet. Refer servicing to qualified personnel only.
- The apparatus shall not be exposed to dripping or splashing and that no objects filled with liquids, such as vases, shall be placed on apparatus.
- Should any solid object or liquid fall into the player, unplug the player, and have it checked by qualified personnel before operating it any further.

On Placement

- Do not leave the player in a location near a heat source, or in a place subject to direct sunlight, excessive dust or mechanical shock.
- Do not place the player on an inclined or unstable place.
- Do not place anything within 1 inch of the back of the cabinet. The ventilation holes must not be covered for the player to operate properly and prolong the life of its components.
- If the player is left in a car parked in the sun, be sure to choose a location in the car where the player will not be subjected to the direct rays of the sun.
- Since a strong magnet is used for the speakers, keep personal credit cards using magnetic coding or spring wound watches away from the player to prevent possible damage from the magnets.

On Power Sources

- For battery operation, use 6 size "C" batteries. We recommend alkaline batteries for longer life.
- When the batteries will not be used for a few weeks or more, remove them to avoid damage that can be caused by battery leakage or corrosion.
- Battery shall not be exposed to excessive heat such as sunshine, fire or the like.
- If the player is brought directly from a cold to a warm location, or is placed in a very damp room, moisture may condense on the lens inside the CD player section. Should this occur, the player will not operate properly. In this case, remove the CD and wait about an hour for the moisture to evaporate.
- To be completely disconnect the power input, the mains plug of apparatus shall be disconnected from the mains. As the disconnect device is the mains plug of apparatus.
- The mains plug of apparatus should not be obstructed OR should be easily accessed during intended use.
- This CD player is designed to be played on a stable no vibration position. If you bump the set during CD play, the music will stop or skip for a few seconds. This is normal for this type of player.

Notes on CDs

- Before playing, clean the CD with a cleaning cloth. Wipe the CD from the center out.
- Do not expose the CD to direct sunlight or heat sources such as hot air ducts, not leave it in a car parked in direct sunlight as there can be a considerable rise in temperature inside the car.
- Do not stick paper or stickers on the CD, nor scratch the CD.
- After playing, store the CD in its case. If there is a scratch, dirt or fingerprints on the CD, it may cause a tracking error or skipping.

Scratched Discs

If your disc is badly scratched, it will not play. You may be able to repair the disc if you buy a disc polisher.

2. MAINTENANCE

Cleaning the Lens

If the lens becomes dirty, it may cause a skipping of sound during CD operation. Clean with a commercially available lens cleaner and blower.

Cleaning the Cabinet

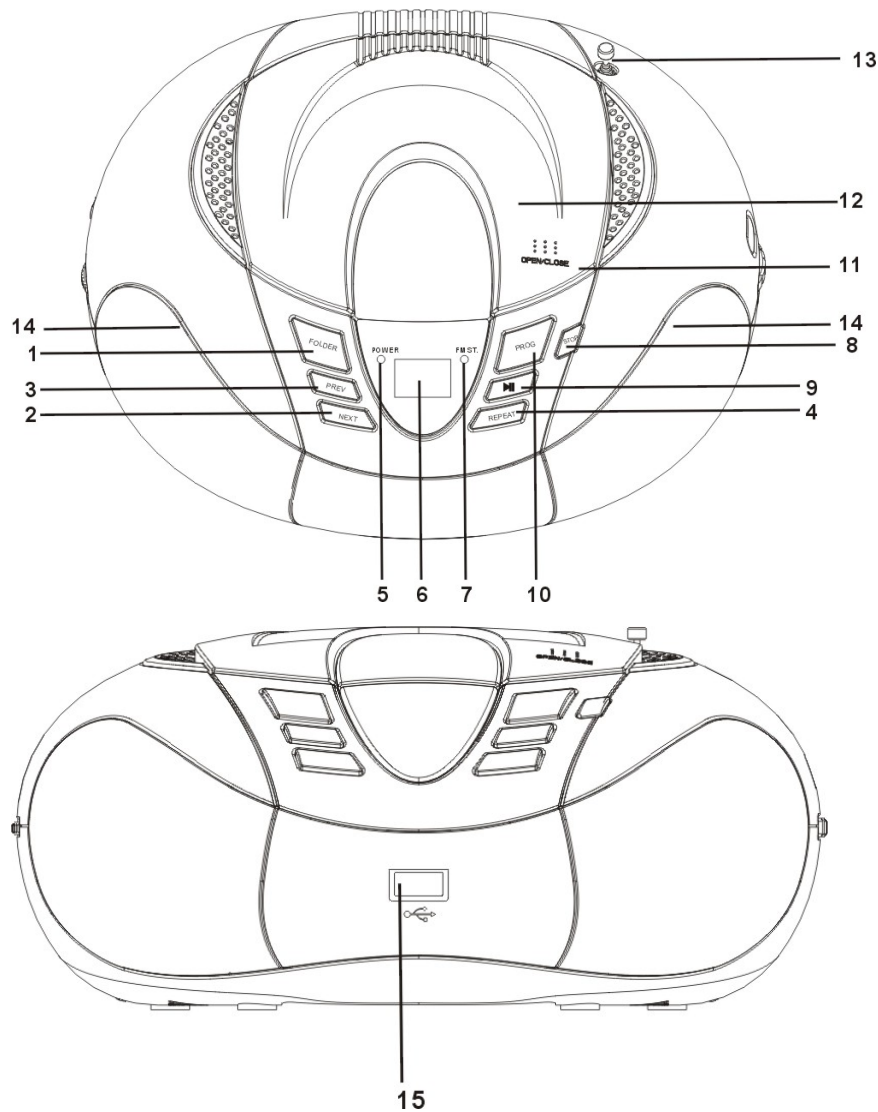
Clean the cabinet, panel and controls with a soft cloth slightly moistened with a mild detergent solution. Do not use any type of abrasive pad, scouring powder, or solvent, such as alcohol or benzene

3.SPECIFICATION

Power source	AC 230V DC 9V (6 size "C" batteries) (Alkaline batteries are recommended)
Speakers	4 ohm
Output power	1.0W/channel
Dimensions	263 X 223 X 121
Weight	1225g(without batteries)
Playable disc type	Any normal CD used in portable players
Radio Frequency range	FM:87.5-108 MHz AM:520-1620KHz

4. PARTS NAME AND FUNCTIONS

4.1 Parts on the front of the main unit



1. Folder : folder play
2. NEXT :skip next track. Press and hold the button to fast forward play during play mode
3. PREV : skip previous track ; Press and hold the button to fast backward play during play mode
4. Repeat: repeat the track , folder or whole disc
5. Power LED indicator
 - LED light: main unit is turning on
 - LED off: main unit is turning off
6. LCD display

7. FM ST LED indicator

LED light: main unit is in FM stereo mode

LED off: main unit is in FM mono mode

8. Stop: Press this to stop play mode

9. Play/pause: Press this to play the disc. When pressed in play mode, pause mode is set.

Press again to resume playback.

10. PROG : Programming the play sequence

11. OPEN/CLOSE : open or close CD door

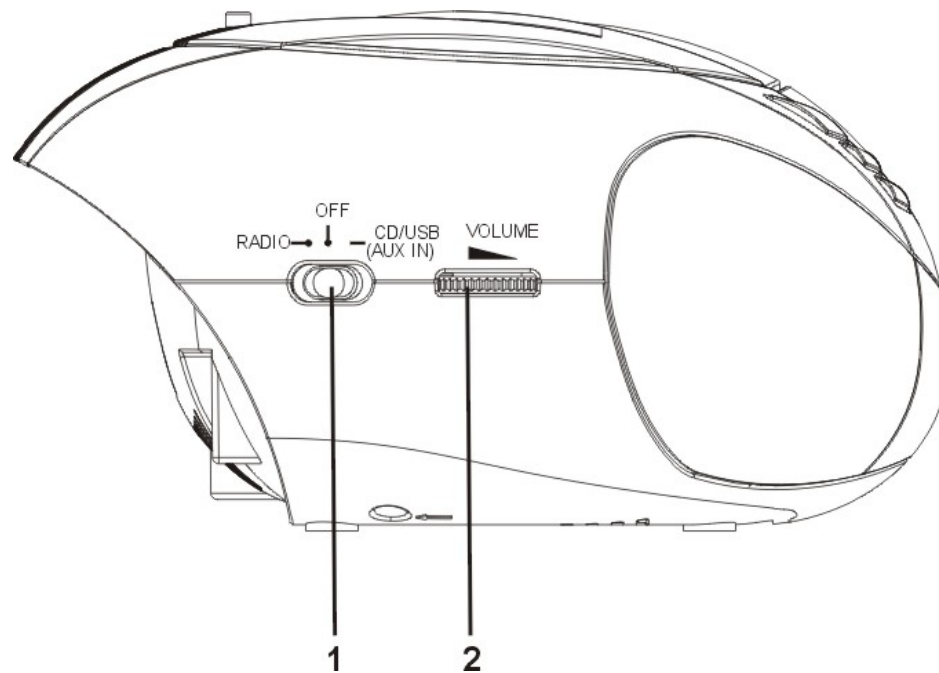
12. CD door

13. FM antenna

14. Speakers

15. USB socket connecting to USB storage

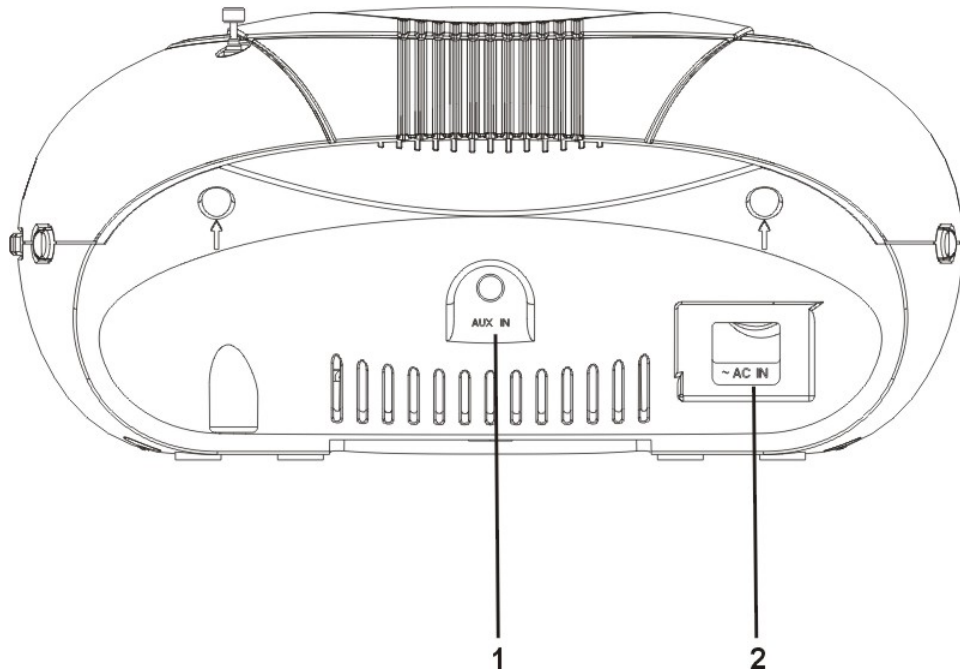
4.2 Parts on the left side of the main unit



1. Function switch

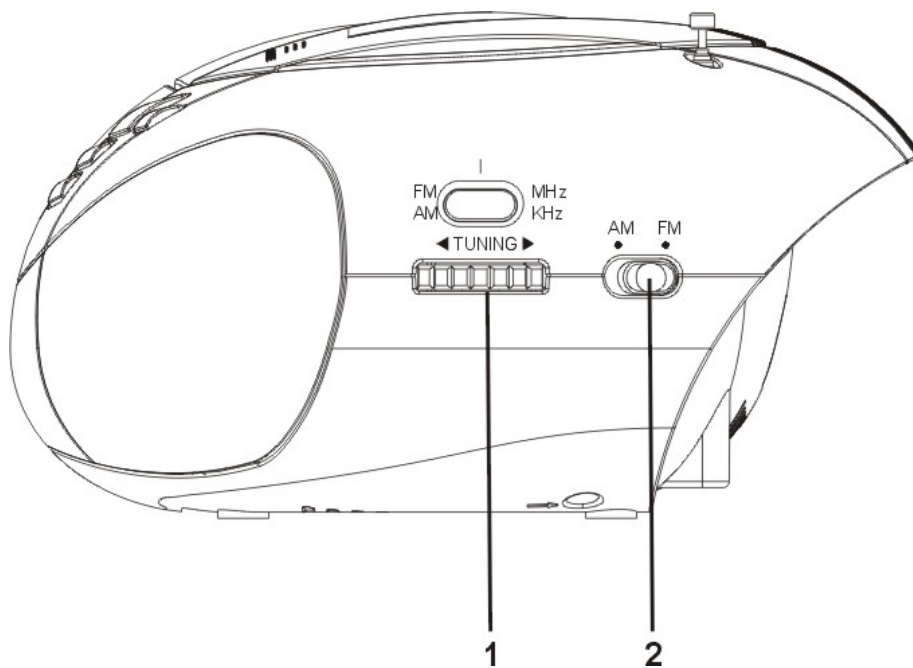
2. VOLUME control : increase/decrease the volume

4.3 Parts on the rear of the main unit



1. Audio input
Input audio signal
2. AC socket

4.4 Parts on the right side of the player



1. Tuning control
2. FM /AM Switch
3. Display FM/ AM frequency

5.CHOOSING THE POWER SOURCES

You can use the AC power or batteries as a power source.

5.1 Connecting the AC power cord

Insert one end of the supplied AC power cord into the socket located at the rear of the player and the other end to the wall outlet.

5.2 Connecting to USB storage

- 1) Please connect the USB storage to the USB terminal of the main unit
- 2) The main unit will read the contents that are available on the USB storage device automatically.

Note:

- (1) When disc play, then insert the USB, the unit will automatically switch to play USB .
- (2) When USB play, then place the disk, the unit will automatically switch to play the disc.
- (3) When the existence of USB and the disc, the unit will play USB at first.

5.3 Using the player on batteries

Insert 6 size "C" batteries (not supplied) into the battery compartment.

To use the player on batteries, disconnect and remove the AC power cord both from back of the player and the wall outlet.

Note:

- If the plug of the AC power cord does not match your outlet, do not force it. Reverse it and try again. The plug is polarized and only fits one way into the wall outlet and rear of the set.
- Replace the batteries when the POWER lamp dims or when the player stops operating. Replace all the batteries with new ones. Before you replace the batteries be sure to take out the CD from the player.
- If the CD does not play on batteries, this means the batteries are almost used up. However the radio may continue to play on these weak batteries because it uses less power than the CD player.

6.PLAYING A CD or MP3

- (1) Connect the supplied AC power cord or batteries.
- (2) Slide the FUNCTION switch to CD/USB/AUX IN position
- (3) Open the CD door and place a disc in the CD compartment with the label side up.
- (4) Close the CD door, the unit will play the disc.
- (5) Press the PLAY/PAUSE button in play mode to pause the playback. Press the PLAY/PAUSE button again to resume the playback.
- (6) Adjust the VOLUME control to your preference.
- (7) Press the STOP button to stop the playback.
- (8) Slide the FUNCTION switch to OFF position to turn off the power.

NOTE:

" - - - " will show in the display if there is no disc in the CD compartment or if the disc is upside down.

7.REPEAT AND PROGRAMMED PLAY

7.1 Repeat play

- (1) Press the REPEAT button once to play the current song over and over. " **r - 1** " will show in the display.
- (2) Press the REPEAT button twice to repeat the current folder. " **r - F** " will show in the display.
- (3) Press the REPEAT button three times to repeat playing all the songs in order. " **r - A** " will show in the display.
- (4)** Press the REPEAT button four times to cancel the repeat play. " **r - n** " will show in the display.

7.2 Programmed play

In STOP mode, you can make a program of up to 20 tracks in the order you want them to be played.

- (1) Slide the FUNCTION switch to CD/USB/AUX IN position. Make sure the CD is stopped.
- (2) Press the PROGRAM button. The program number " **Pro 01** " .
- (3) Press the PREV/NEXT button to select the desired track and press the PROGRAM button to confirm.
- (4) REPEAT step 3 to program other tracks till you finish (up to 20 tracks)
- (5) Press the PLAY/PAUSE button to start programmed play.

To play all the programmed tracks repeatedly

Press the REPEAT button in program play mode.

To change the current program

Just create a new program following the programming procedure.

To cancel programmed play

Press the STOP button twice or slide the FUNCTION switch to OFF position.

8.PLAYING OTHER AUDIO DEVICES THROUGH YOUR SET

You can enjoy the music of a digital MP3 player, computer or any other external audio device (with a 3.5mm stereo jack) through the set.

- (1) Insert an audio cable (not included) with 3.5mm plugs on each end into the HEADPHONES jack or LINE OUT jack of your MP3 player or computer, and the other end into the AUX IN jack of the set.
- (2) Connect the supplied AC power cord or batteries.
- (3) Slide the FUNCTION switch to CD/USB/AUX IN position.
- (4) Turn on your MP3 player or computer. Adjust the VOLUME control of the MP3 player/computer and the player to the desired level.
- (5) Slide the FUNCTION switch to OFF position after use.

NOTE:

When connecting an audio player to the set while the set is playing CD, the set will exit CD mode and switch to AUX IN mode automatically.

9.LISTENING TO THE RADIO

- (1) Connect the supplied AC power cord or batteries.
- (2) Slide the FUNCTION switch to RADIO position, the POWER lamp will turn on.
- (3) Slide the FM /AM switch to the proper position that you want.
- (4) Tune into the station you prefer using the TUNING control. Adjust for the clearest sound.
- (5) Adjust the VOLUME control to your preference.
- (6) Slide the FUNCTION switch to OFF position to turn off the radio.

NOTE:

Next time you want to listen to the radio, just slide the FUNCTION switch to RADIO position. The player automatically starts playing the previously tuned station.

To improve broadcast reception

Change position of the antenna for FM/AM

10. Trouble shooting

Please refer the following instruction when there are some problems with this unit.

If the problem still exists, please consult your nearest service center

	Problem	Remedy
General	The power is not on	Connect the AC power cord to a wall outlet securely
		Make sure the batteries are inserted correctly and they are fresh
	There is no sound	Make sure the FUNCTION switch is at the right position as you want
		Adjust the volume
CD Player	"- - -"Appears in the display	Insert the CD with the label side up. Try another compact disc. This set only play CD, MP3 or WMA discs
	CD does not play	Make sure that the CD compartment is closed
		Place the CD with the label side up
		Take out the CD and leave the CD DOOR open for about an hour to dry moisture condensation
		Replace the disc(this set will not play damaged or scratched CDs), or buy a disc repair polisher to repair it yourself
		Clean the CD
		Make sure the FUNCTION switch is at CD/USB/AUX IN position
		Make sure to disconnect the audio cable from the AUX IN jack at the bear side of the set
	The sound drips out	Clean the CD, or replace it if the CD is badly damaged
		Place the player in a location free from vibration
Check if your batteries are fresh		
CD does not play while the radio continues to play on battery power	It is normal since the radio uses less power than the CD player	
Radio	The sound is weak or has poor quality	Replace all the batteries with new ones if they are weak, or bring the set near a window, or rotate the set



If at any time in the future you should need to dispose of this product please note that :
Waste electrical products should not be disposed of with household waste. Please recycle
where facilities exist. Check with your Local Authority or retailer for recycling advice.
(Waste Electrical and Electronic Equipment Directive)