

CART

Vertical Lift 22" (559 mm)

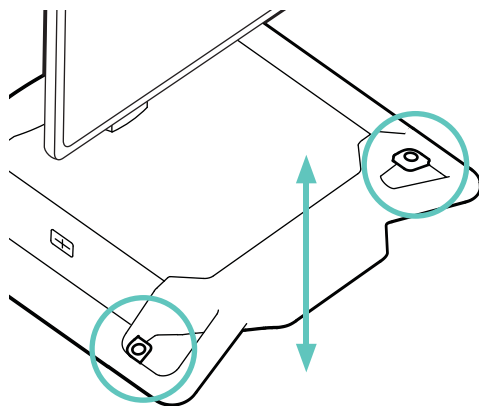
MONITOR

Lift 5" (127 mm)
 Extension 4" (102 mm)
 Tilt 65°
 Pan 180°
 P/L Rotation 360°
 (can be locked at 0°)

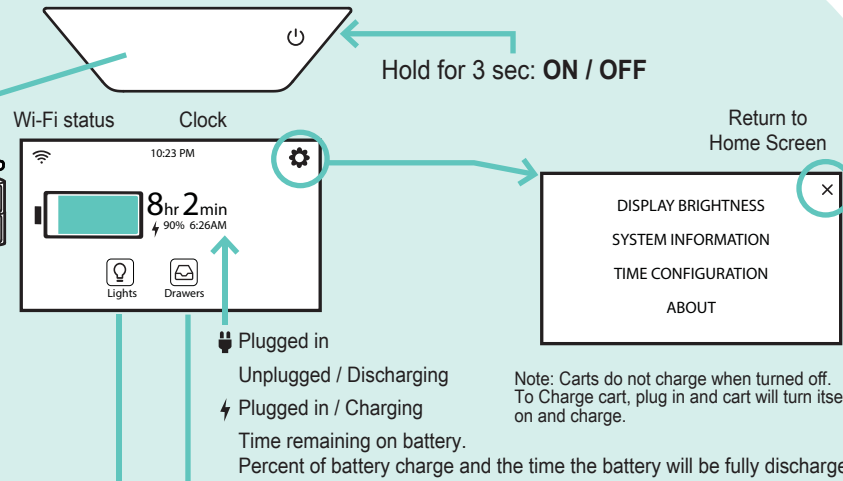
KEYBOARD

Extension 7.5" (191 mm)
 Tilt 10°
 Pan 170°
 Tray slides side-to-side
 for right / left mousing
 Tray removes for cleaning

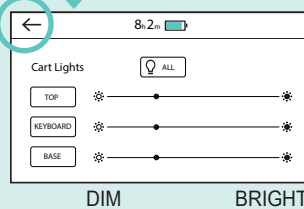
With cart turned on,
 Hold Button to move
UP / DOWN



TOUCH SCREEN CONTROL PANEL

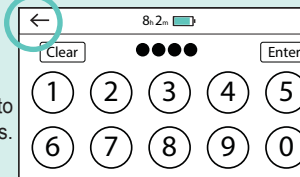


Return to Home Screen



Return to Home Screen

Enter PIN to open drawers.



- Drawer is UNLOCKED or Open. Press to lock.
- Drawer is LOCKED or Closed. Press to unlock.
- Imprivata single sign on.

For complete and up-to-date touch screen instructions visit the 'DOWLOADS' on the product page at www.ergotron.com



For cleaning instructions visit the 'DOWLOADS' on the product page at www.ergotron.com

For information about eKinex, visit: www.ergotron.com/ekinex

For the latest User Installation Guide please visit: www.ergotron.com | English, Español, Français, Deutsch, Nederlands, Italiano, Svenska, 日本語, 汉语