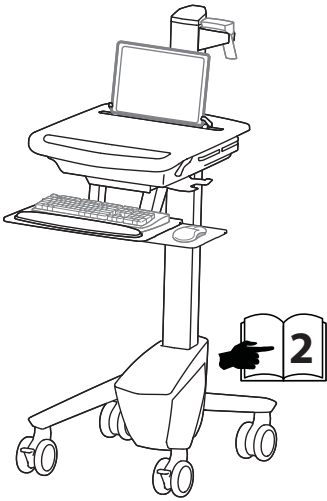
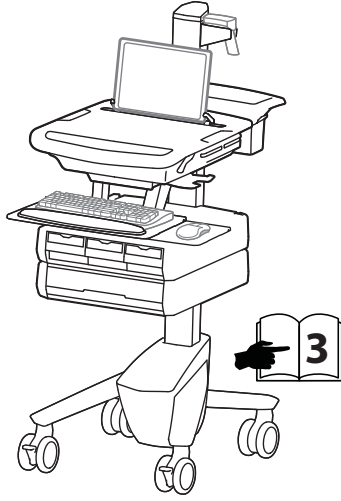


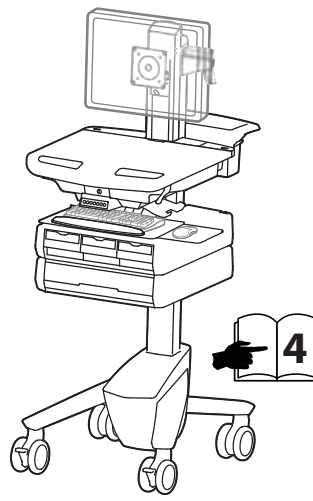
SV40 Laptop



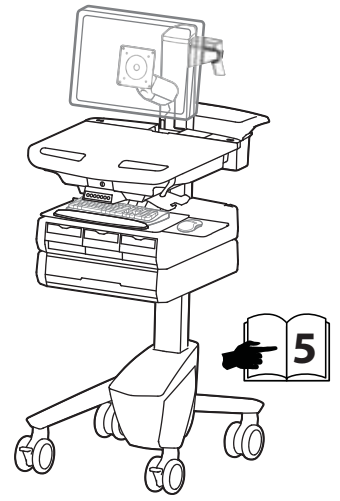
SV41/SV43 Laptop



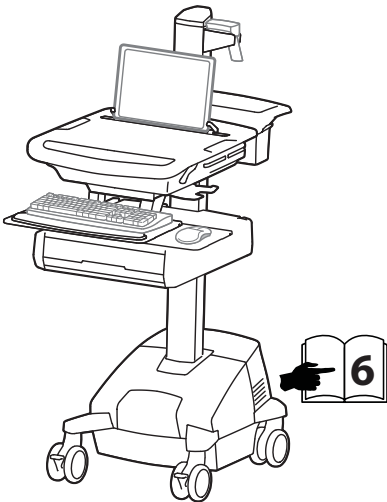
SV41/SV43 LCD Pivot



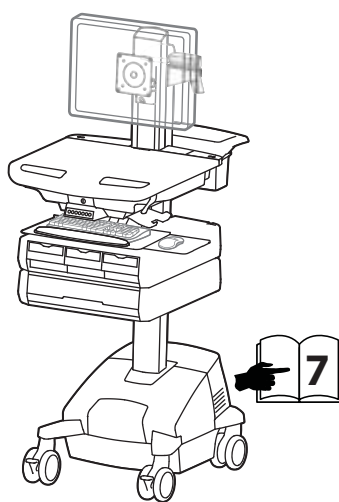
SV41/SV43 LCD Arm



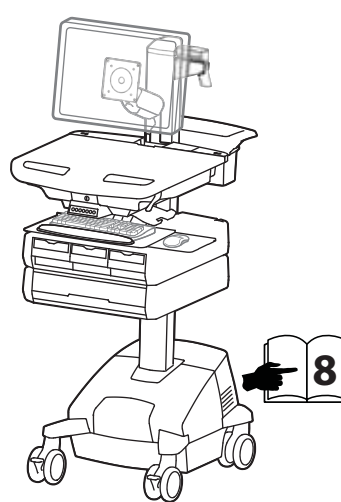
SV42/SV44 Laptop



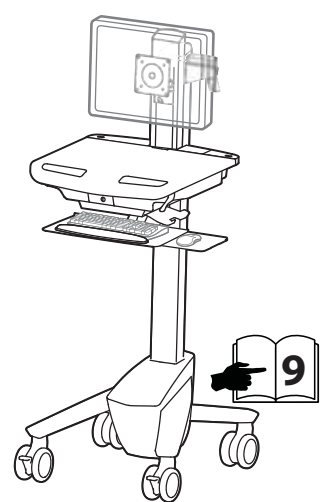
SV42/SV44 LCD Pivot



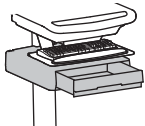
SV42/SV44 LCD Arm



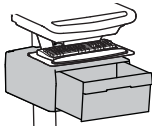
SV40 LCD Pivot



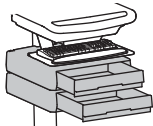
***Auto-Lock Drawer**



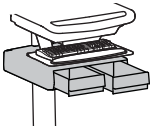
1 Drawer



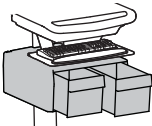
1 Drawer



2 Drawers



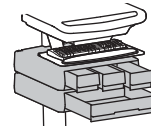
2 Drawers



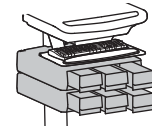
2 Drawers



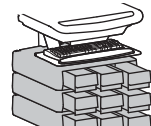
3 Drawers



4 Drawers



6 Drawers



9 Drawers



© 2014 Ergotron, Inc. rev. 04/25/2019 DIM-SV4X-Drawers Content is subject to change without notification

**Americas Sales and
Corporate Headquarter**

St. Paul, MN USA
(800) 888-8458
+1-651-681-7600
www.ergotron.com
sales@ergotron.com

EMEA Sales

Amersfoort, The Netherlands
+31 33 45 45 600
www.ergotron.com
info.eu@ergotron.com

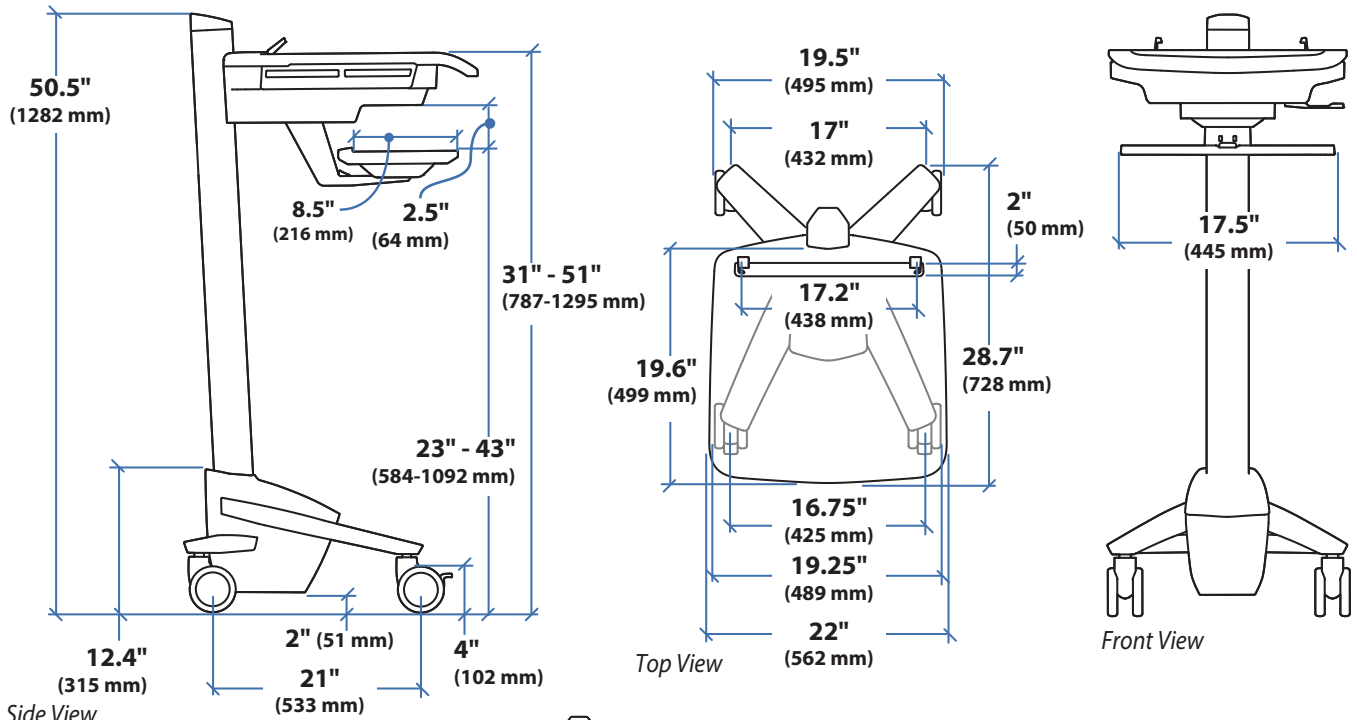
APAC Sales

Tokyo, Japan
www.ergotron.com
apaccustomerservice@ergotron.com

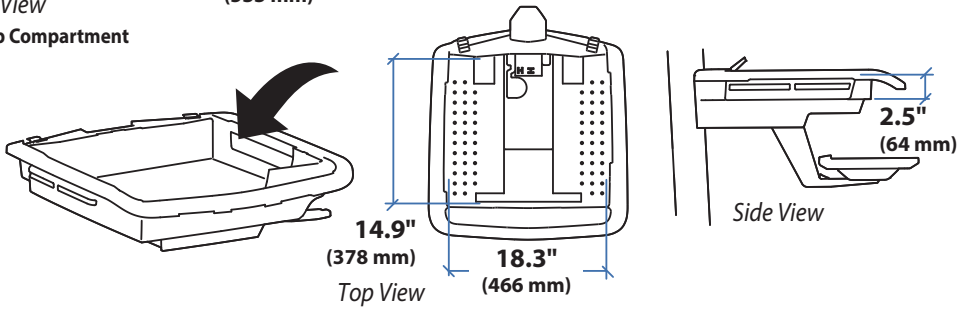
Worldwide OEM Sales

www.ergotron.com
info.oem@ergotron.com

Dimensions

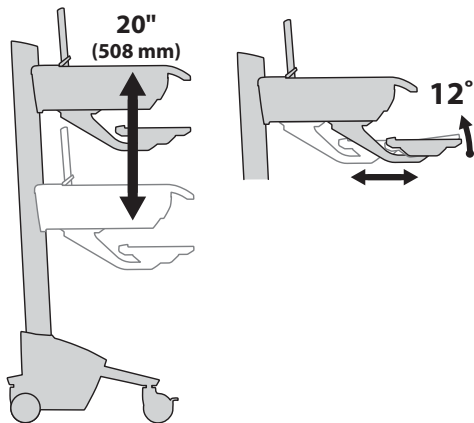


Side View
Laptop Compartment



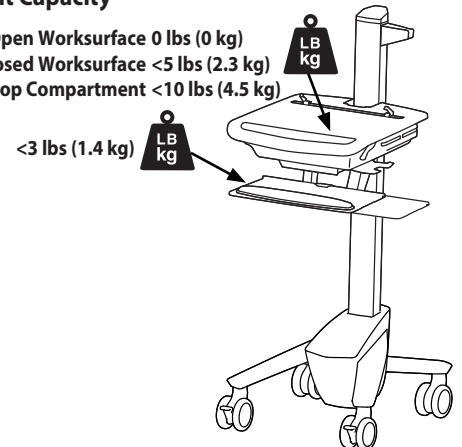
When figuring dimensions, include mounted accessories, protruding cables and port replicators or docking stations.

Range of Motion



Weight Capacity

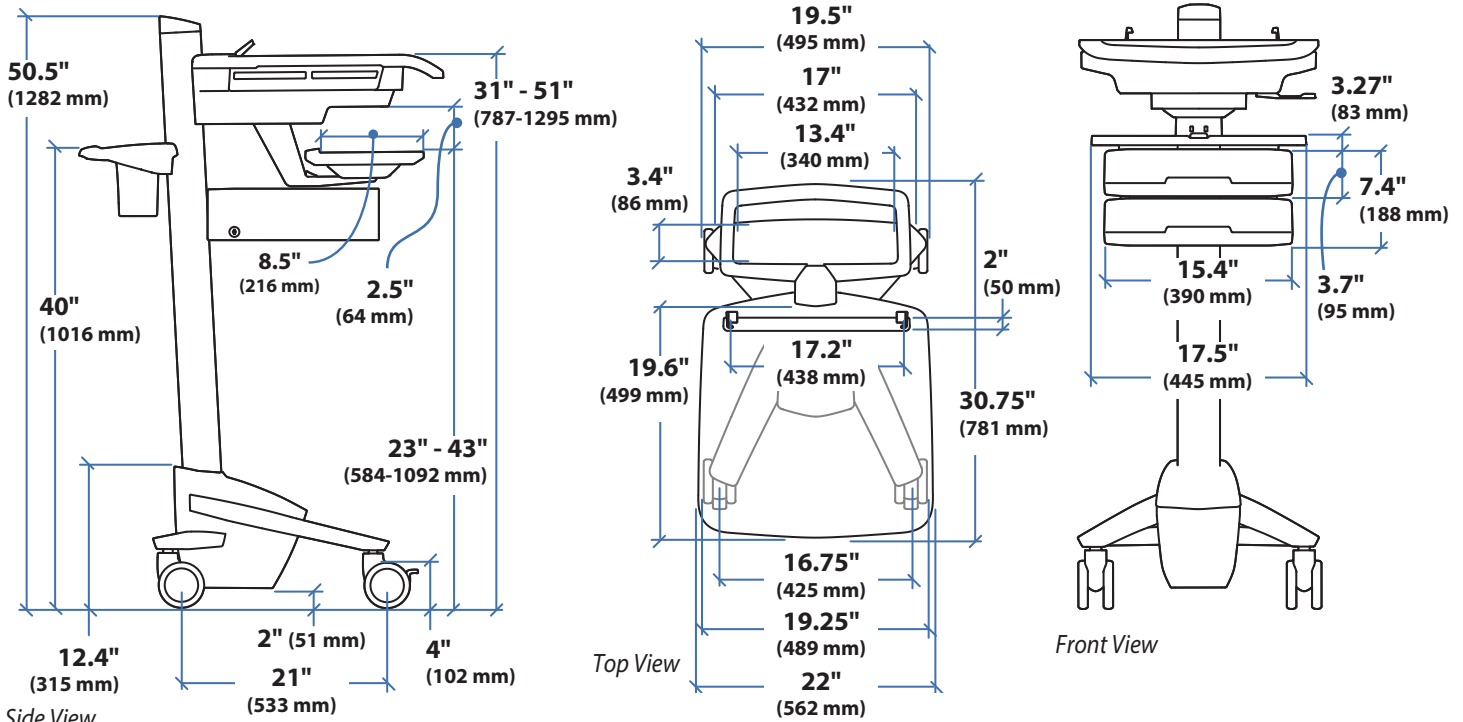
- Open Worksurface 0 lbs (0 kg)
- Closed Worksurface <5 lbs (2.3 kg)
- Laptop Compartment <10 lbs (4.5 kg)



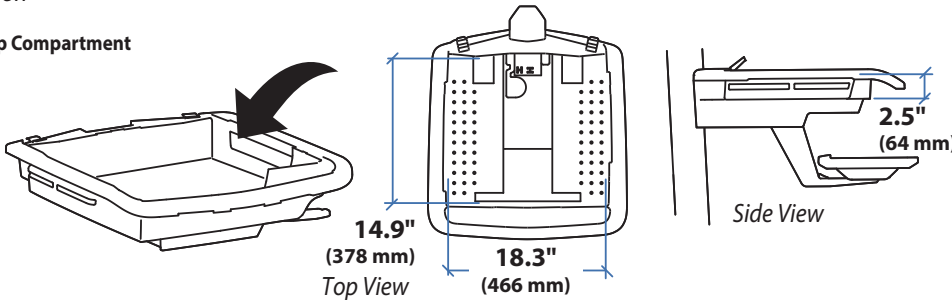
© 2014 Ergotron, Inc. rev. 04/25/2019 DIM-SV4X-Drawers Content is subject to change without notification

Americas Sales and Corporate Headquarter	EMEA Sales	APAC Sales	Worldwide OEM Sales
St. Paul, MN USA (800) 888-8458 +1-651-681-7600 www.ergotron.com sales@ergotron.com	Amersfoort, The Netherlands +31 33 45 45 600 www.ergotron.com info.eu@ergotron.com	Tokyo, Japan www.ergotron.com apaccustomerservice@ergotron.com	www.ergotron.com info.oem@ergotron.com

Dimensions

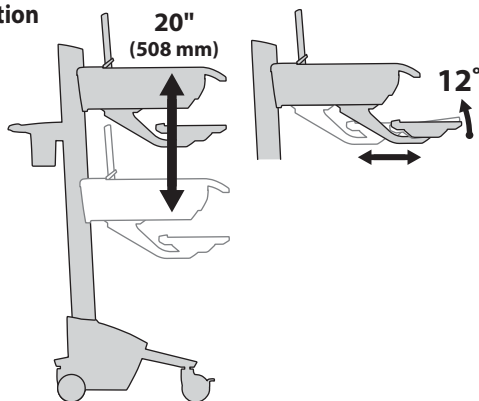


Laptop Compartment



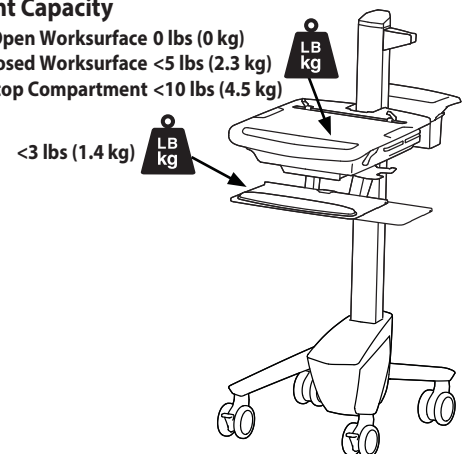
When figuring dimensions, include mounted accessories, protruding cables and port replicators or docking stations.

Range of Motion



Weight Capacity

Open Worksurface 0 lbs (0 kg)
 Closed Worksurface <5 lbs (2.3 kg)
 Laptop Compartment <10 lbs (4.5 kg)



© 2014 Ergotron, Inc. rev. 04/25/2019 DIM-SV4X-Drawers Content is subject to change without notification

Americas Sales and
Corporate Headquarter

EMEA Sales

APAC Sales

Worldwide OEM Sales

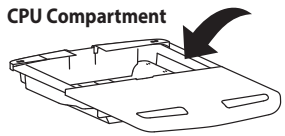
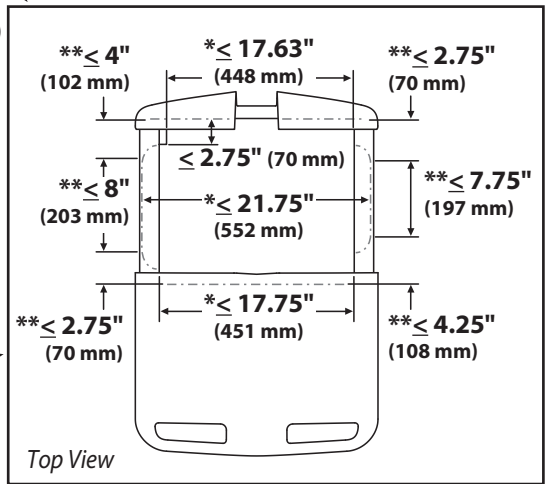
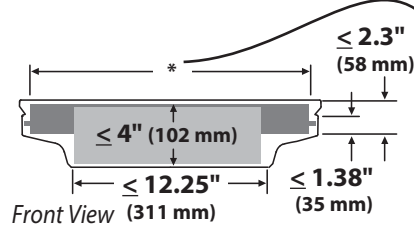
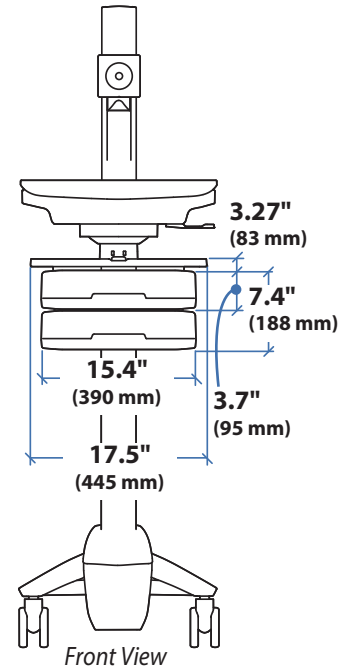
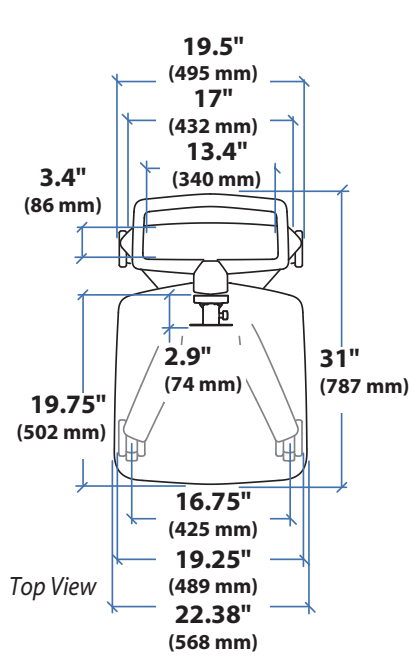
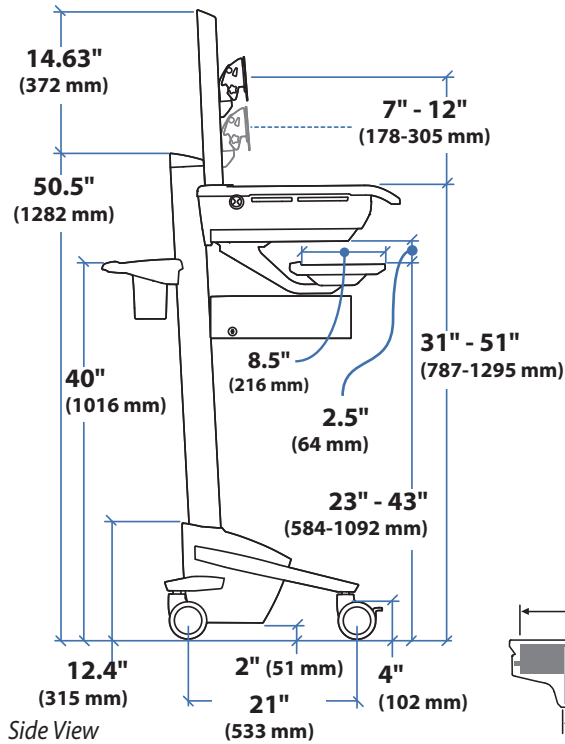
St. Paul, MN USA
 (800) 888-8458
 +1-651-681-7600
 www.ergotron.com
 ales@ergotron.com

Amersfoort, The Netherlands
 +31 33 45 45 600
 www.ergotron.com
 info.eu@ergotron.com

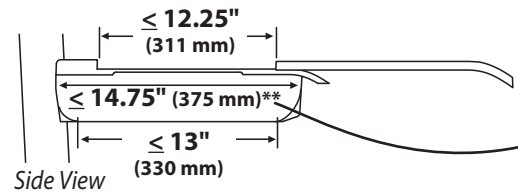
Tokyo, Japan
 www.ergotron.com
 apaccustomerservice@ergotron.com

www.ergotron.com
 info.oem@ergotron.com

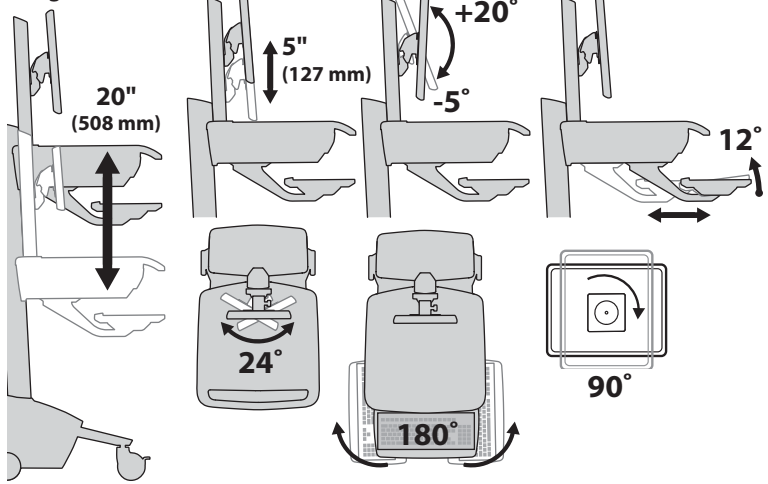
Dimensions



When figuring dimensions, include mounted accessories, protruding cables and port replicators or docking stations.

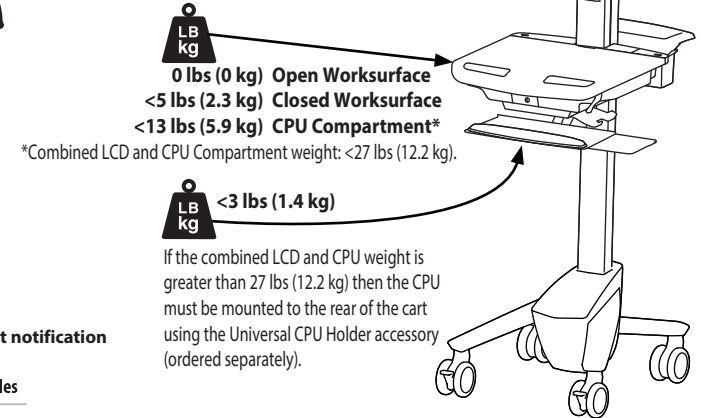


Range of Motion



Weight Capacity

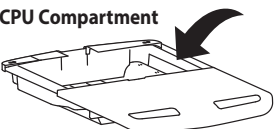
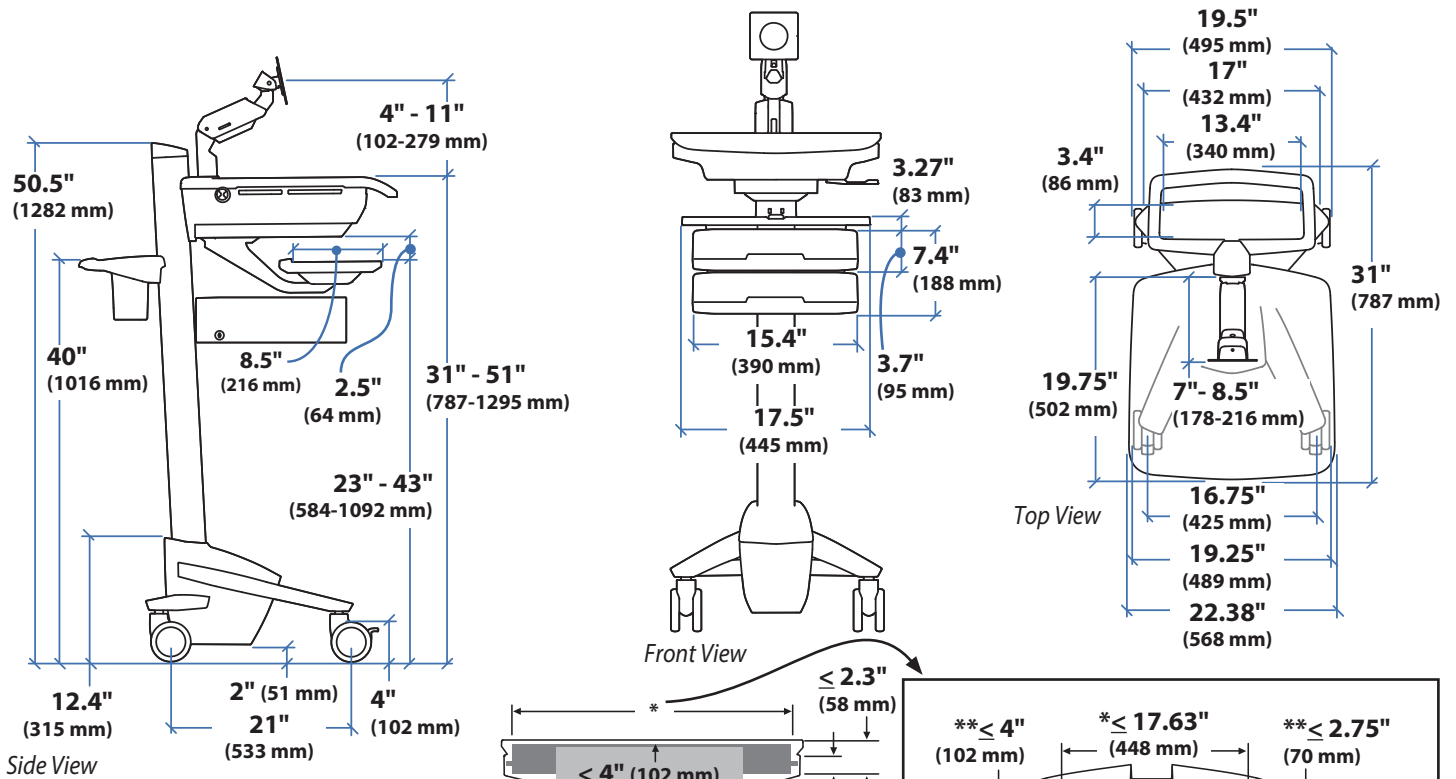
With Independent LCD Lift: <14 lbs (6.4 kg)	Without Independent LCD Lift: 20 lbs (9 kg)
--	--



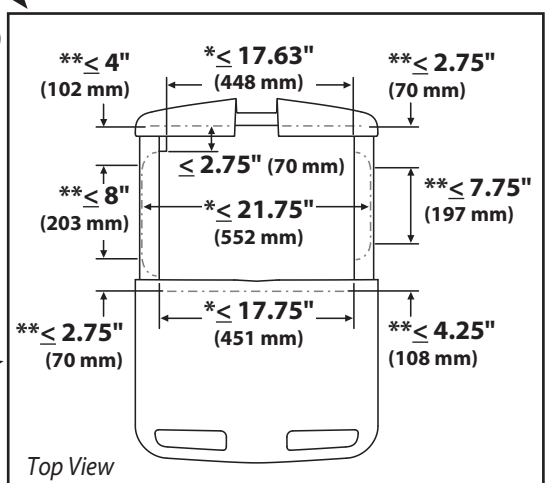
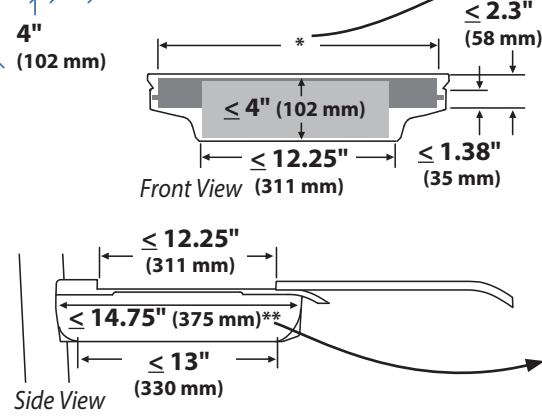
© 2014 Ergotron, Inc. rev. 04/25/2019 DIM-SV4X-Drawers Content is subject to change without notification

Americas Sales and Corporate Headquarter | EMEA Sales | APAC Sales | Worldwide OEM Sales

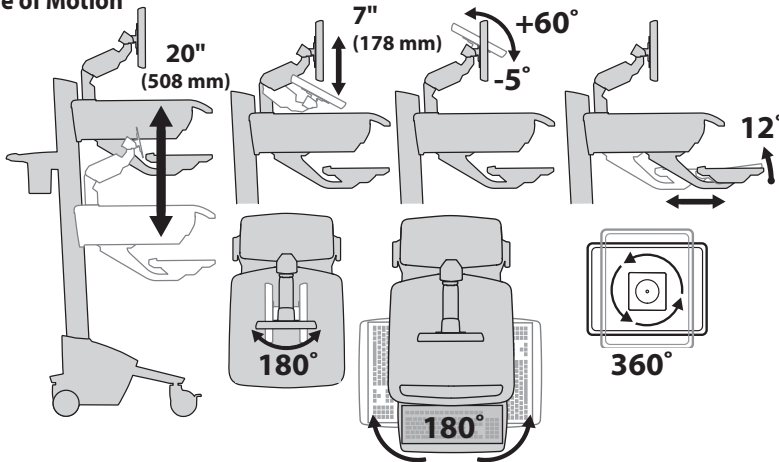
St. Paul, MN USA (800) 888-8458 +1-651-681-7600 www.ergotron.com sales@ergotron.com
 Amersfoort, The Netherlands +31 33 45 45 600 www.ergotron.com info.eu@ergotron.com
 Tokyo, Japan www.ergotron.com apaccustomerservice@ergotron.com
 www.ergotron.com info.oem@ergotron.com



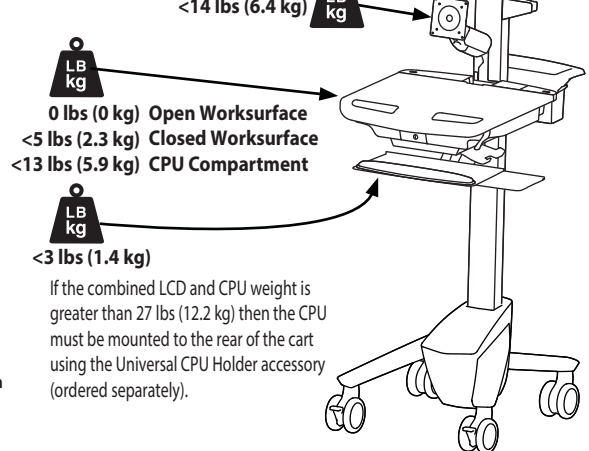
When figuring dimensions, include mounted accessories, protruding cables and port replicators or docking stations.



Range of Motion



Weight Capacity

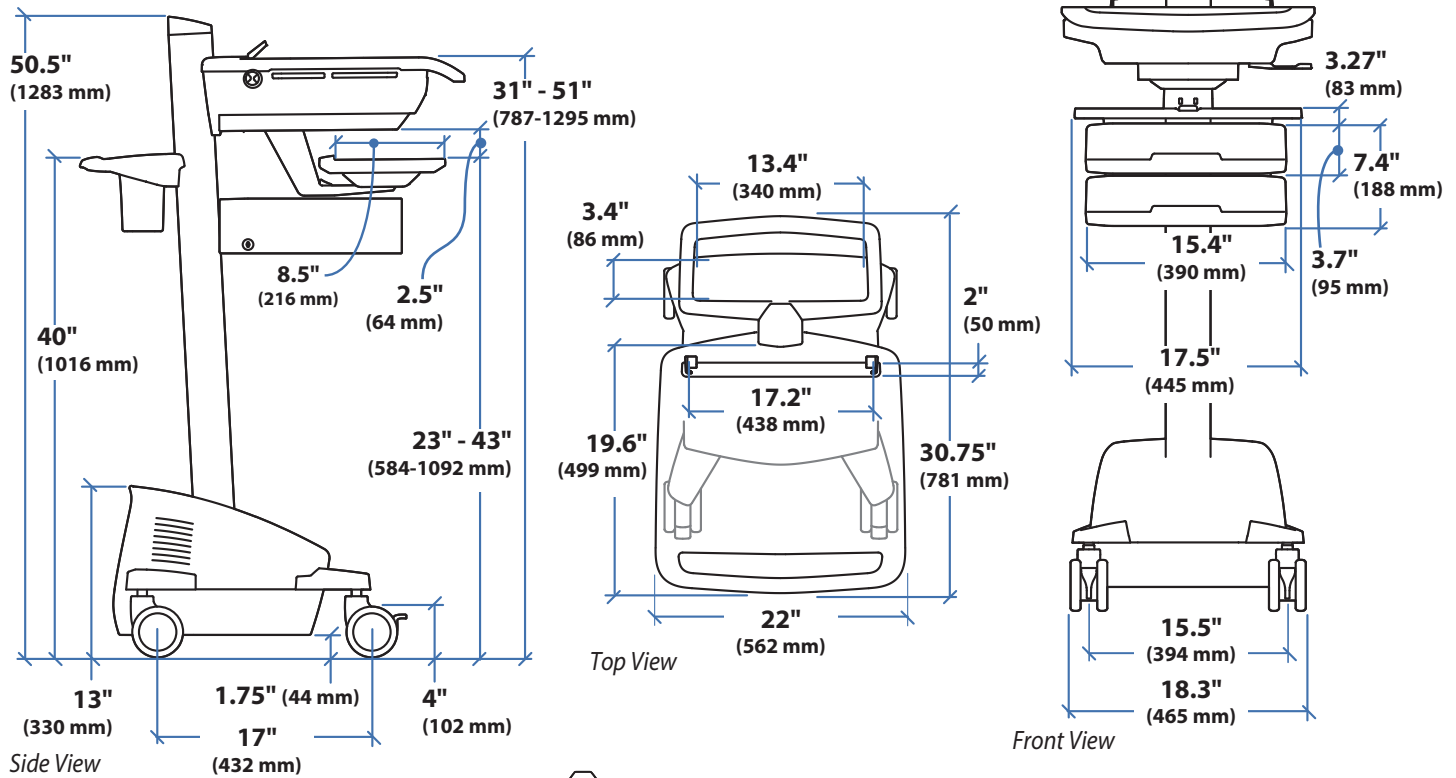


© 2014 Ergotron, Inc. rev. 04/25/2019 DIM-SV4X-Drawers Content is subject to change without notification

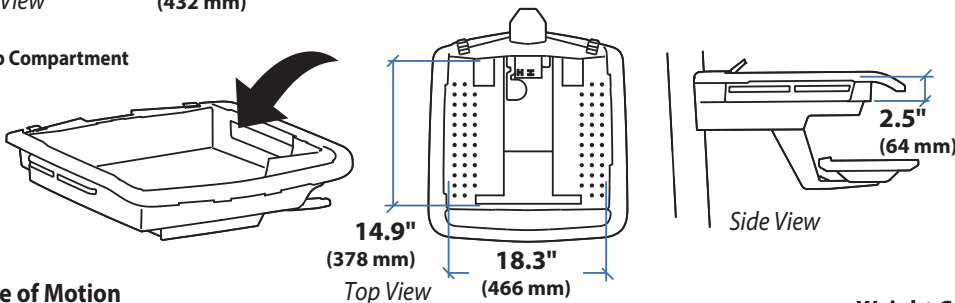
Americas Sales and Corporate Headquarter	EMEA Sales	APAC Sales	Worldwide OEM Sales
--	------------	------------	---------------------

St. Paul, MN USA (800) 888-8458 +1-651-681-7600 www.ergotron.com sales@ergotron.com	Amersfoort, The Netherlands +31 33 45 45 600 www.ergotron.com info.eu@ergotron.com	Tokyo, Japan www.ergotron.com apaccustomerservice@ergotron.com	www.ergotron.com info.oem@ergotron.com
---	---	--	---

Dimensions

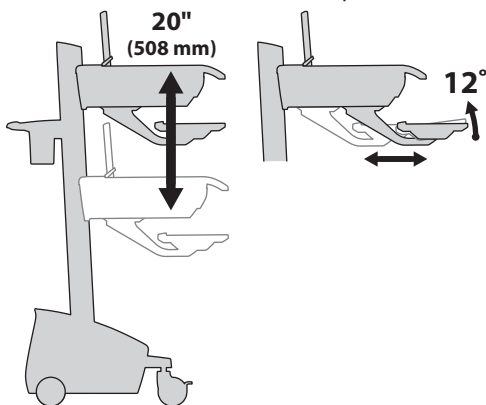


Laptop Compartment



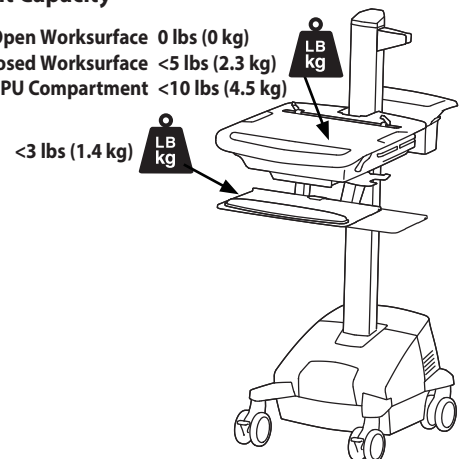
When figuring dimensions, include mounted accessories, protruding cables and port replicators or docking stations.

Range of Motion



Weight Capacity

- Open Worksurface 0 lbs (0 kg)
- Closed Worksurface <5 lbs (2.3 kg)
- CPU Compartment <10 lbs (4.5 kg)



© 2014 Ergotron, Inc. rev. 04/25/2019 DIM-SV4X-Drawers Content is subject to change without notification

Americas Sales and
Corporate Headquarter

EMEA Sales

APAC Sales

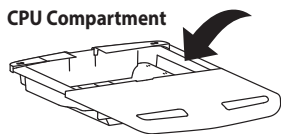
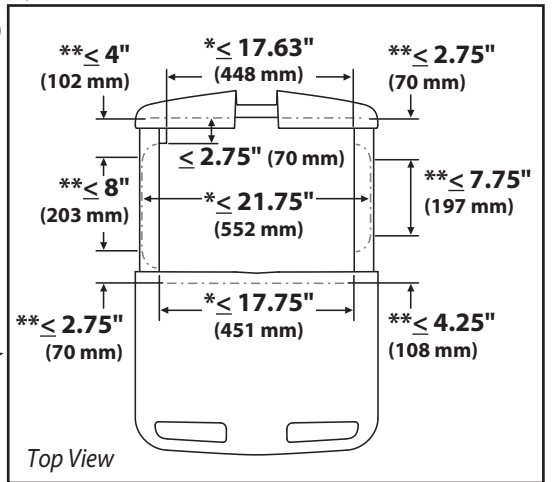
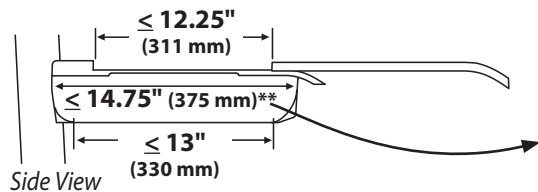
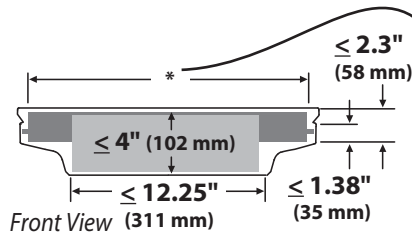
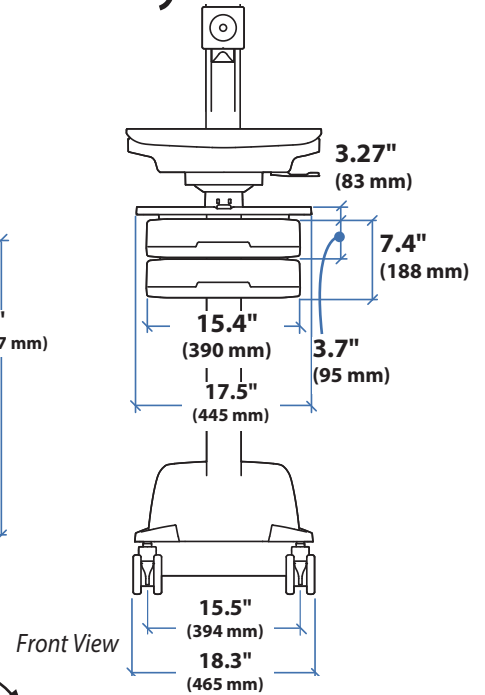
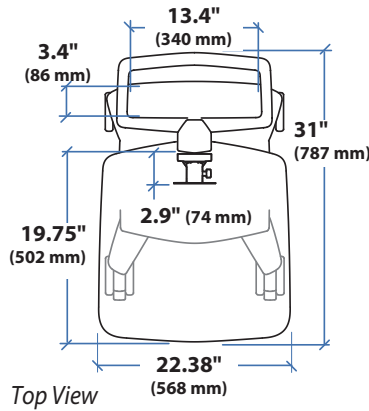
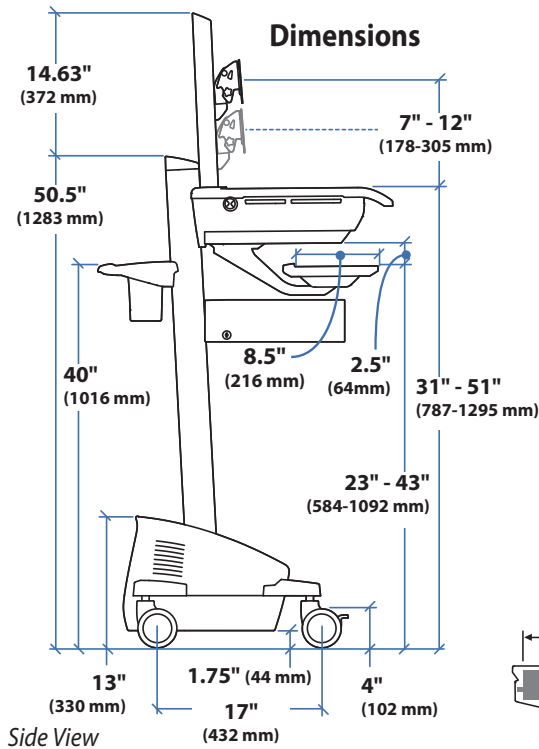
Worldwide OEM Sales

St. Paul, MN USA
(800) 888-8458
+1-651-681-7600
www.ergotron.com
sales@ergotron.com

Amersfoort, The Netherlands
+31 33 45 45 600
www.ergotron.com
info.eu@ergotron.com

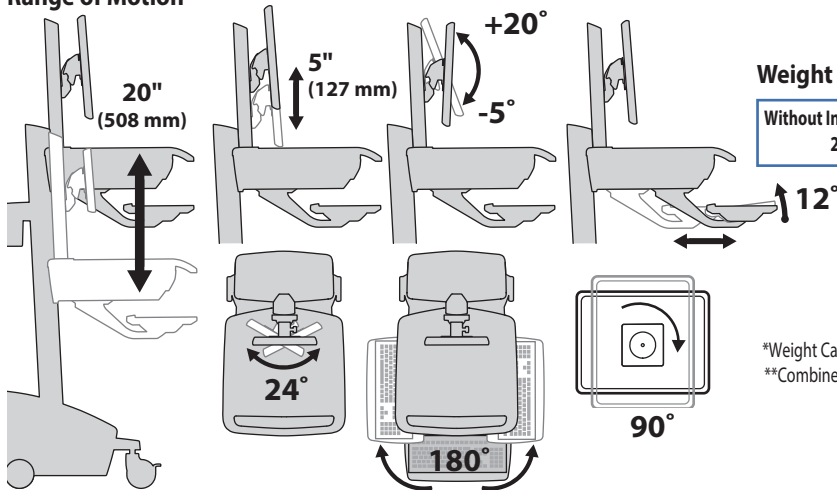
Tokyo, Japan
www.ergotron.com
apaccustomerservice@ergotron.com

www.ergotron.com
info.oem@ergotron.com



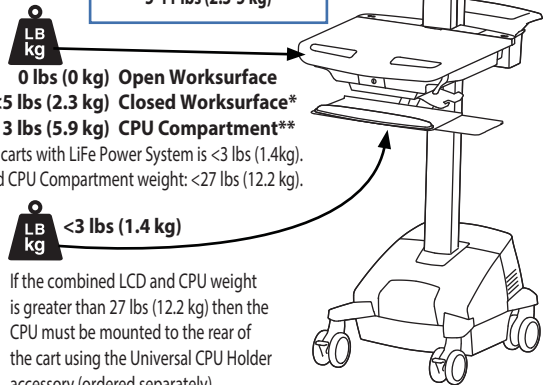
When figuring dimensions, include mounted accessories, protruding cables and port replicators or docking stations.

Range of Motion



Weight Capacity

Without Independent LCD Lift: 20 lbs (9 kg)
With Independent LCD Lift: 6-14 lbs (2.7-6.4 kg)
Carts with LiFe Power System: 5-11 lbs (2.3-5 kg)



© 2014 Ergotron, Inc. rev. 04/25/2019 DIM-SV4X-Drawers Content is subject to change without notification

Americas Sales and
Corporate Headquarter

EMEA Sales

APAC Sales

Worldwide OEM Sales

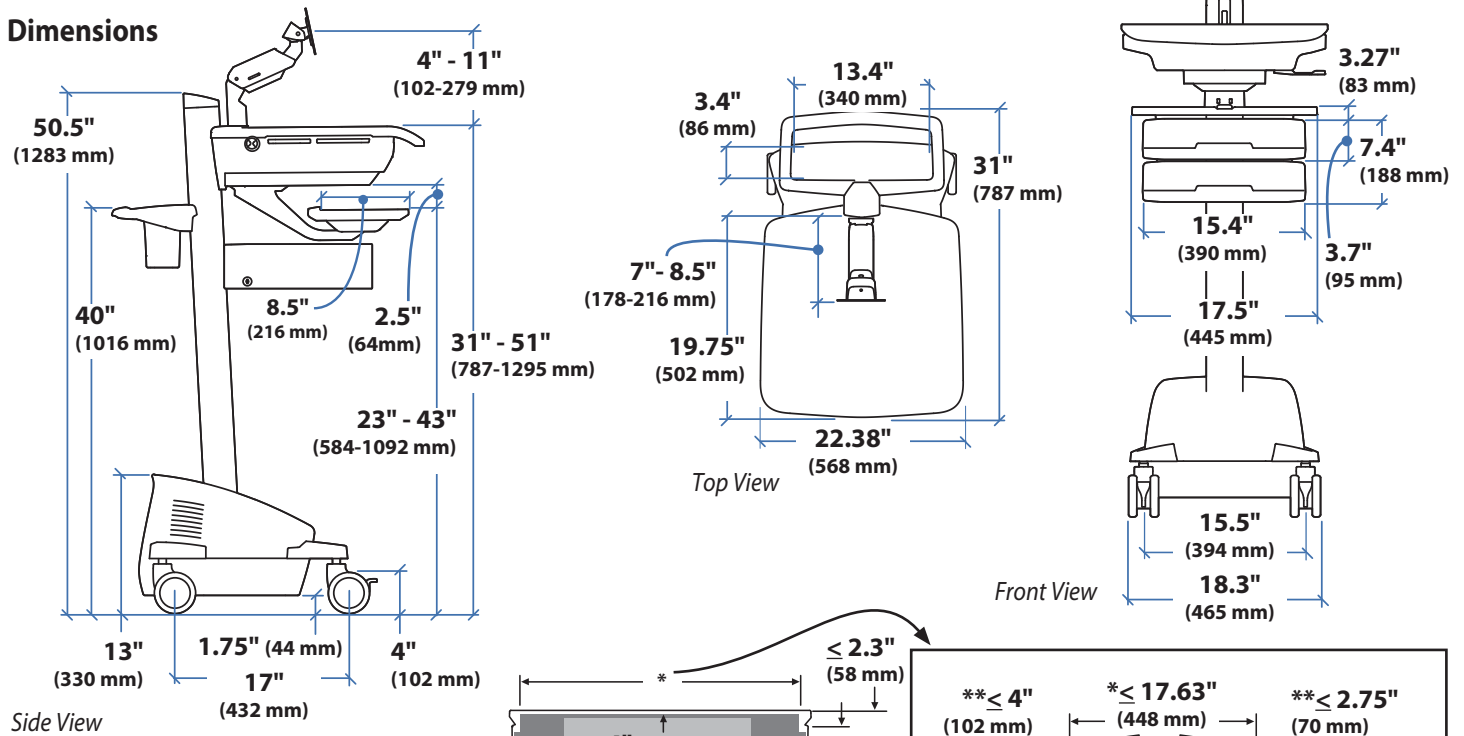
St. Paul, MN USA
(800) 888-8458
+1-651-681-7600
www.ergotron.com
sales@ergotron.com

Amersfoort, The Netherlands
+31 33 45 45 600
www.ergotron.com
info.eu@ergotron.com

Tokyo, Japan
www.ergotron.com
apaccustomerservice@ergotron.com

www.ergotron.com
info.oem@ergotron.com

Dimensions

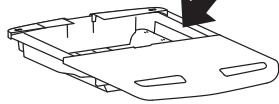


Side View

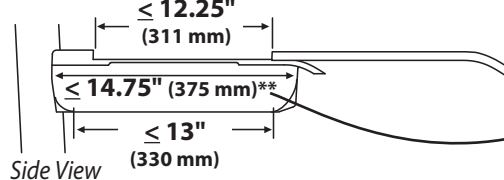
Top View

Front View

CPU Compartment



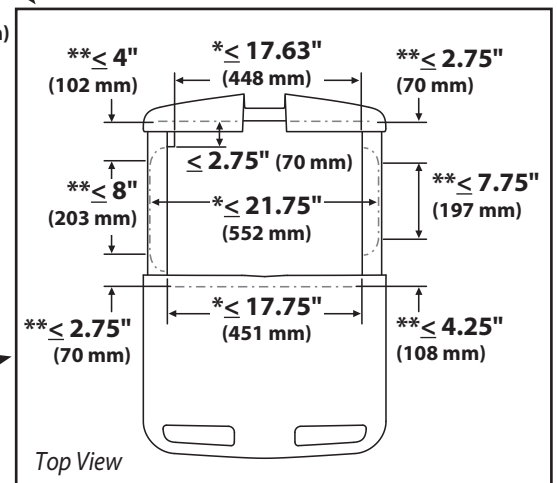
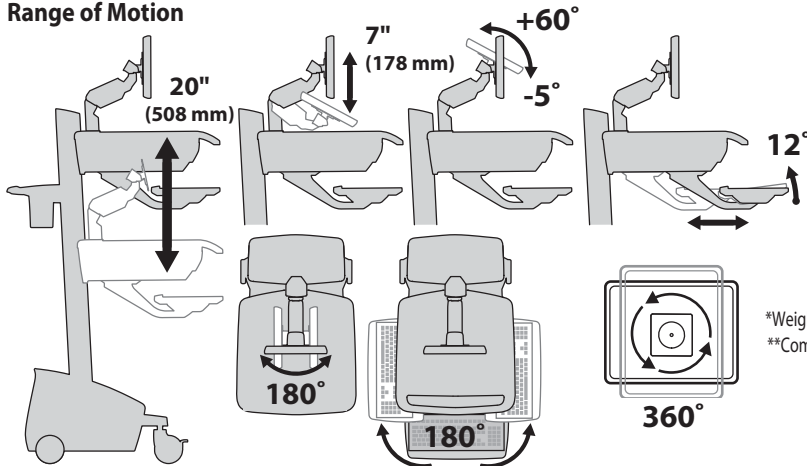
When figuring dimensions, include mounted accessories, protruding cables and port replicators or docking stations.



Front View

Side View

Range of Motion



Top View

Weight Capacity: <14 lbs (6.4 kg)
Carts with LiFe Power System:
5-11 lbs (2.3-5 kg)

- 0 lbs (0 kg) Open Worksurface
- <5 lbs (2.3 kg) Closed Worksurface*
- <13 lbs (5.9 kg) CPU Compartment**

*Weight Capacity for carts with LiFe Power System is <3 lbs (1.4 kg).
**Combined LCD and CPU Compartment weight: <27 lbs (12.2 kg).

<3 lbs (1.4 kg)

If the combined LCD and CPU weight is greater than 27 lbs (12.2 kg) then the CPU must be mounted to the rear of the cart using the Universal CPU Holder accessory (ordered separately).

© 2014 Ergotron, Inc. rev. 04/25/2019 DIM-SV4X-Drawers Content is subject to change without notification

Americas Sales and
Corporate Headquarter

EMEA Sales

APAC Sales

Worldwide OEM Sales

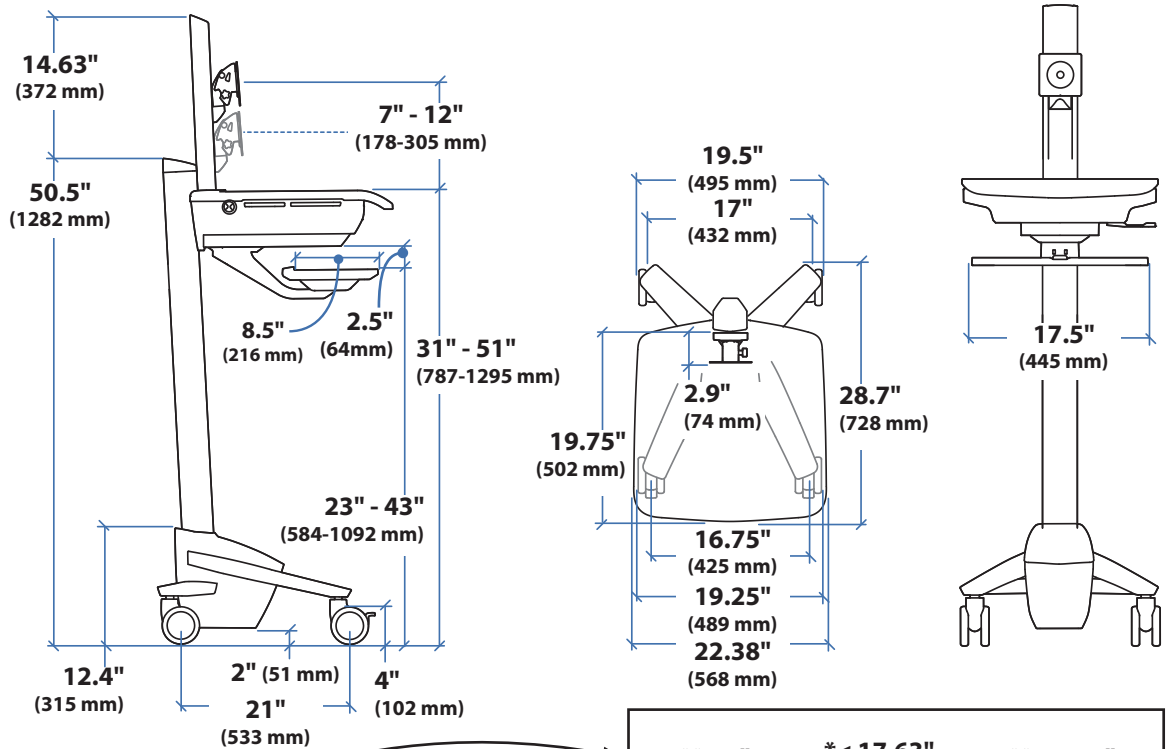
St. Paul, MN USA
(800) 888-8458
+1-651-681-7600
www.ergotron.com
sales@ergotron.com

Amersfoort, The Netherlands
+31 33 45 45 600
www.ergotron.com
info.eu@ergotron.com

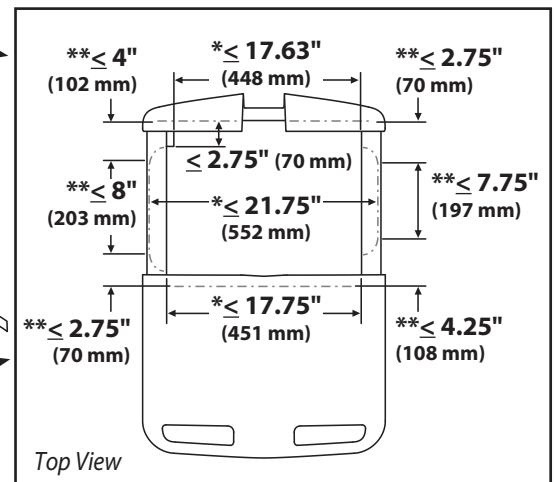
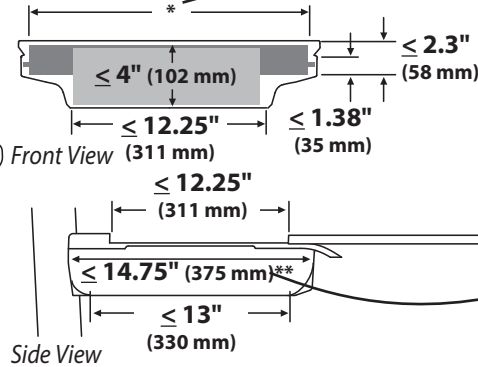
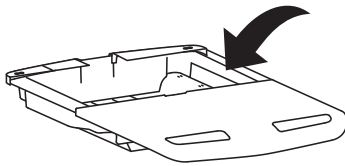
Tokyo, Japan
www.ergotron.com
apaccustomerservice@ergotron.com

www.ergotron.com
info.oem@ergotron.com

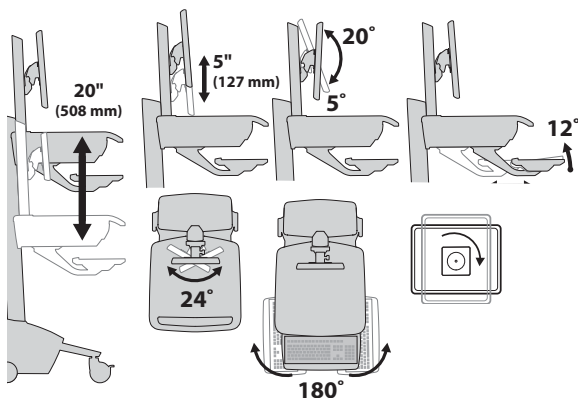
Dimensions



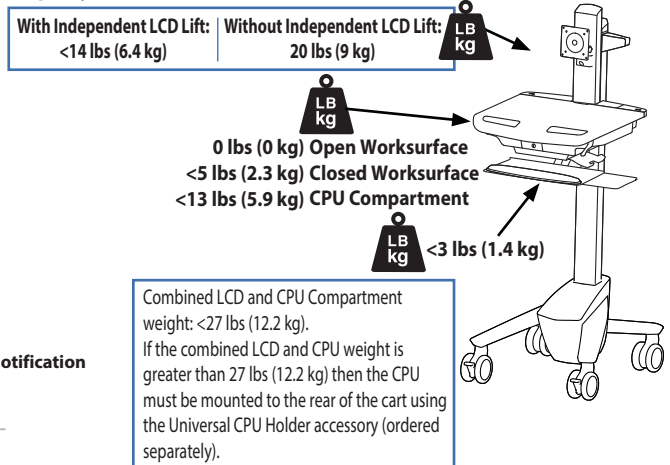
CPU Compartment



When figuring dimensions, include mounted accessories, protruding cables and port replicators or docking stations.



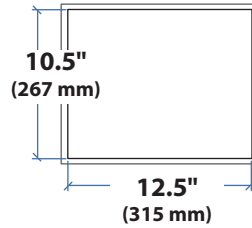
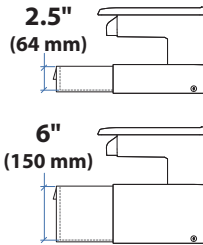
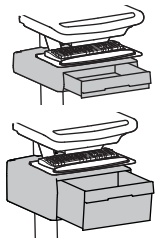
Weight Capacity



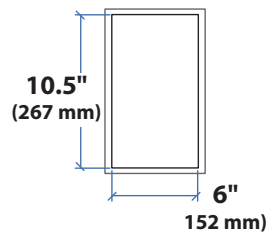
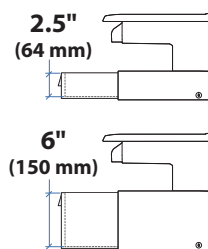
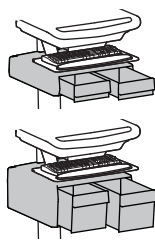
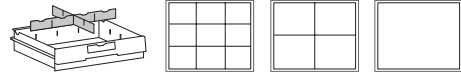
© 2014 Ergotron, Inc. rev. 04/25/2019 DIM-SV4X-Drawers Content is subject to change without notification

Americas Sales and Corporate Headquarter	EMEA Sales	APAC Sales	Worldwide OEM Sales
St. Paul, MN USA (800) 888-8458 +1-651-681-7600 www.ergotron.com sales@ergotron.com	Amersfoort, The Netherlands +31 33 45 45 600 www.ergotron.com info.eu@ergotron.com	Tokyo, Japan www.ergotron.com apaccustomerservice@ergotron.com	www.ergotron.com info.oem@ergotron.com

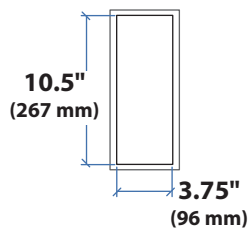
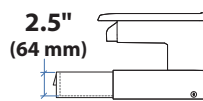
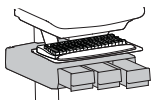
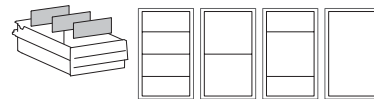
Dimensions



Total weight capacity per drawer.
≤ 2 lbs (1 kg)



Total weight capacity per drawer.
≤ 1 lbs (0.5 kg)



Total weight capacity per drawer.
≤ 0.25 lbs (0.1 kg)

