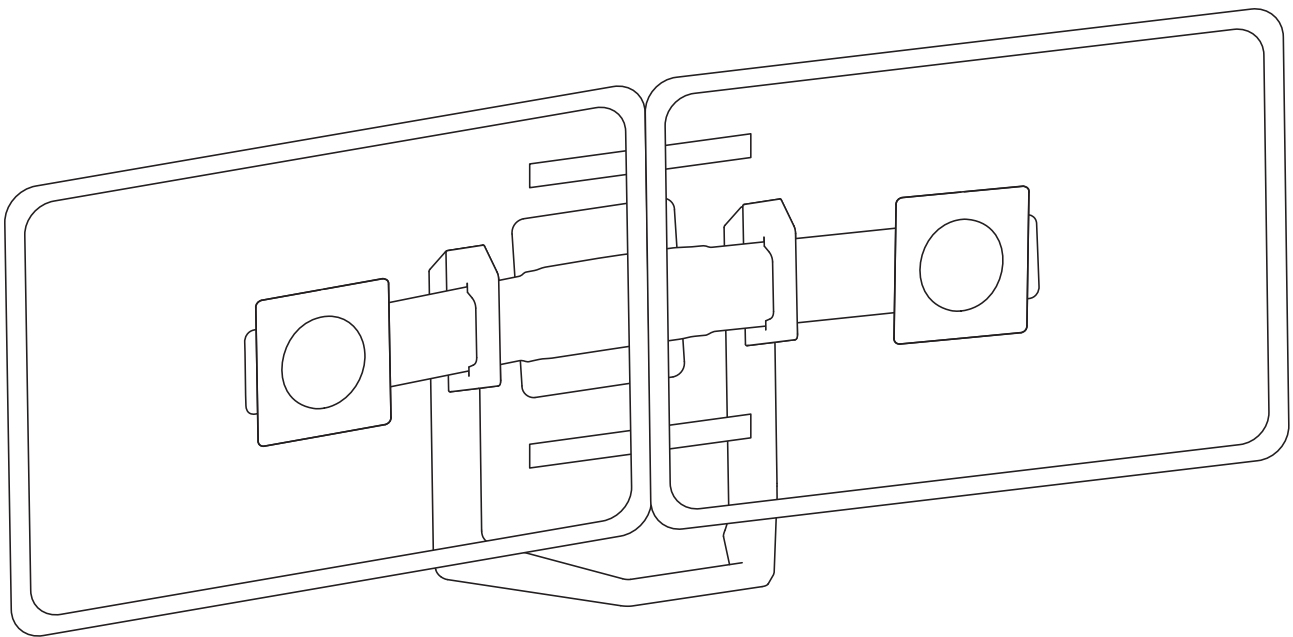


ergotron®

Dual Monitor and Handle Kit



English



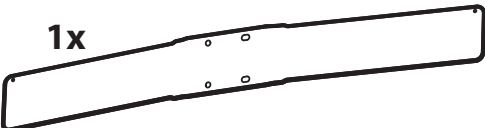
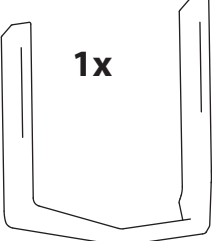

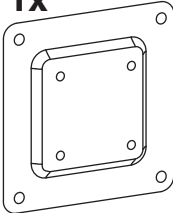
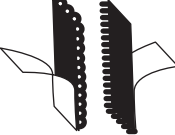

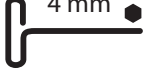

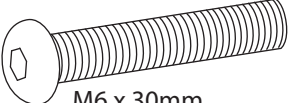



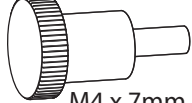





For the latest User Installation Guide please visit: www.ergotron.com

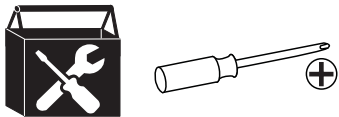
English, Español, Français, Deutsch, Nederlands, Italiano, Svenska, 日本語, 汉语

www.ergotron.com | USA: 1-800-888-8458 | Europe: +31 (0)33-45 45 600 | China: 400-120-3051 | Japan: japansupport@ergotron.com

Set-up

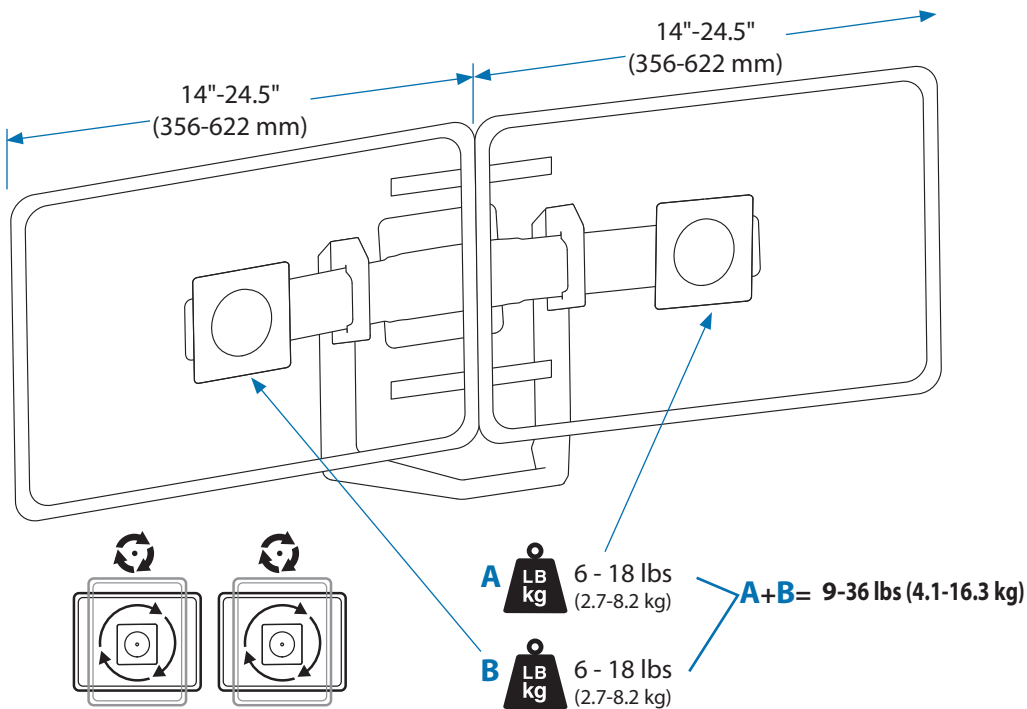
Components

	A	B	C	D	E	F
1	1x 		1x 	2x 	1x 	2x 
2	3x 	4 mm 		2x 		
3	2x  M6 x 30mm	2x  ID: 6.5 mm OD: 12 mm THK: 1 mm	4x  M6 x 8mm	2x  M4 x 10mm	14x  M4 x 7mm	
4	2x 		4x  M4 x 11mm	1x  M3 x 6mm	1x  M3.5 x 6mm	2x  M4 x 8mm



Tools Needed

Features & Specifications

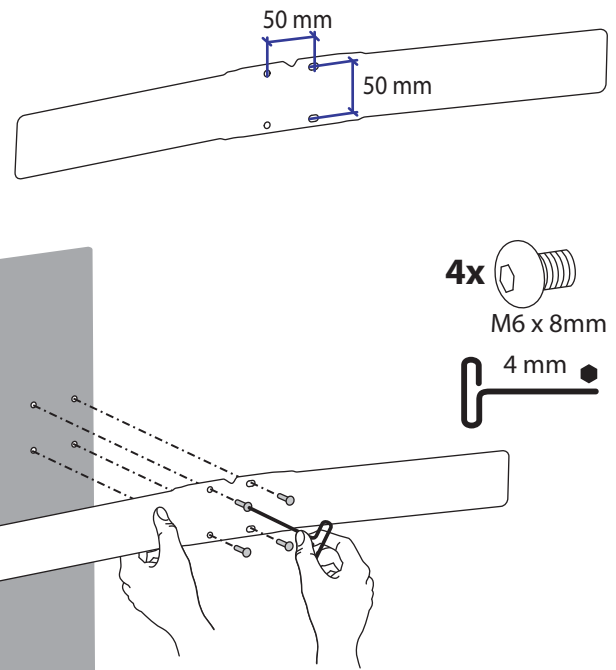
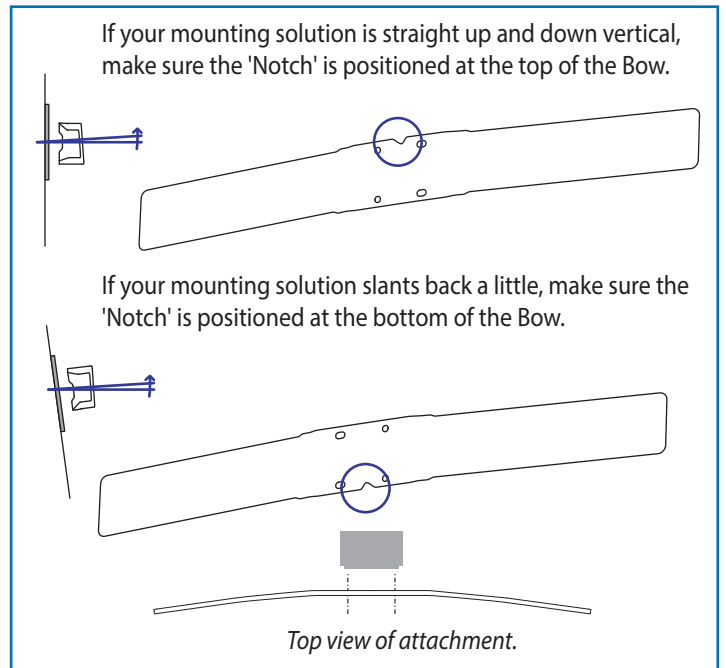
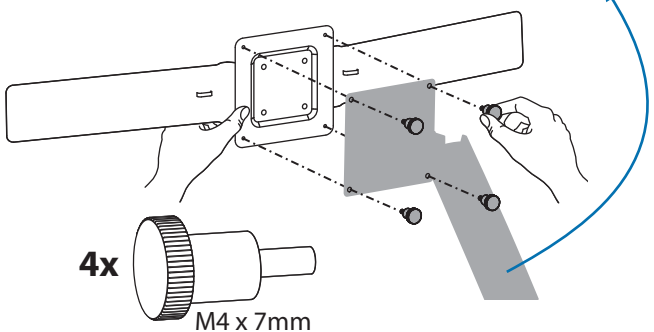
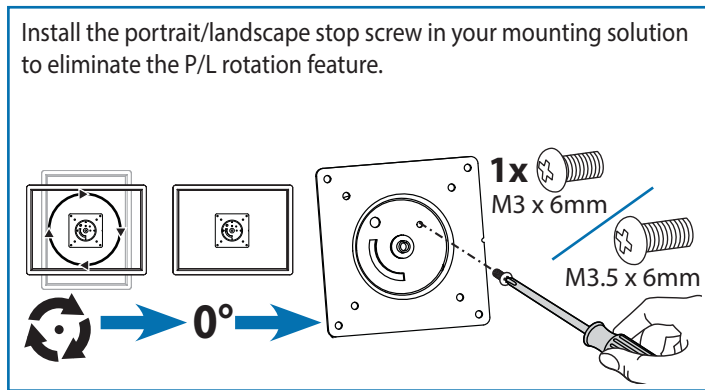
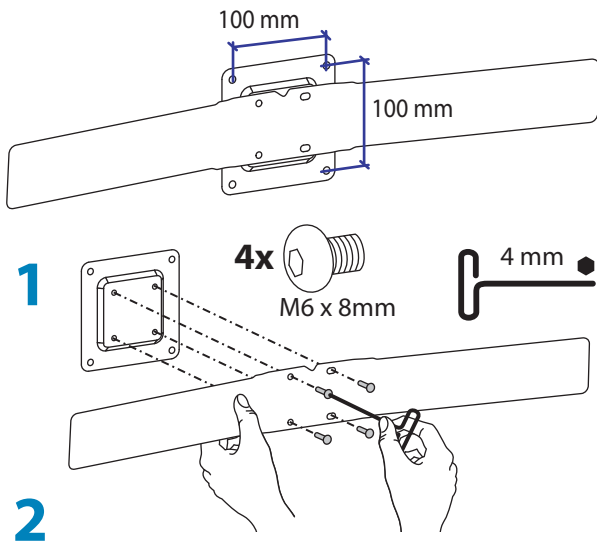
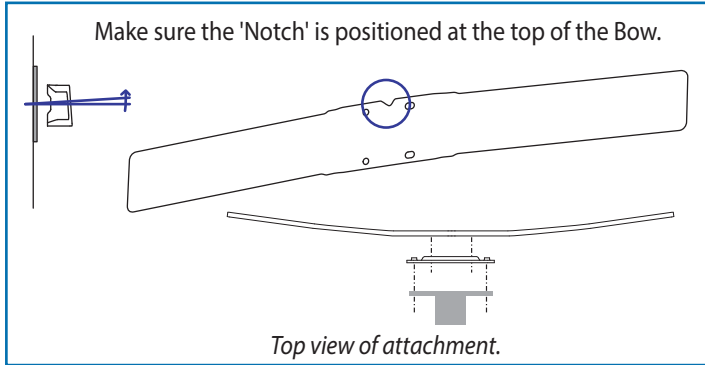


IMPORTANT! This product adds an additional 6 lbs. (2.7 kg) to your mounting solution. Your mounting solution's monitor weight capacity must be reduced by 6 lbs. (2.7 kg) when using standard monitors less than or equal to 2.5" (64 mm) thick. Additional reduction will be required if monitors are greater than 2.5" (64 mm) thick.

1 There are 2 ways to mount this product. Based on what mounting solution you are attaching this product to, follow the appropriate mounting instructions.

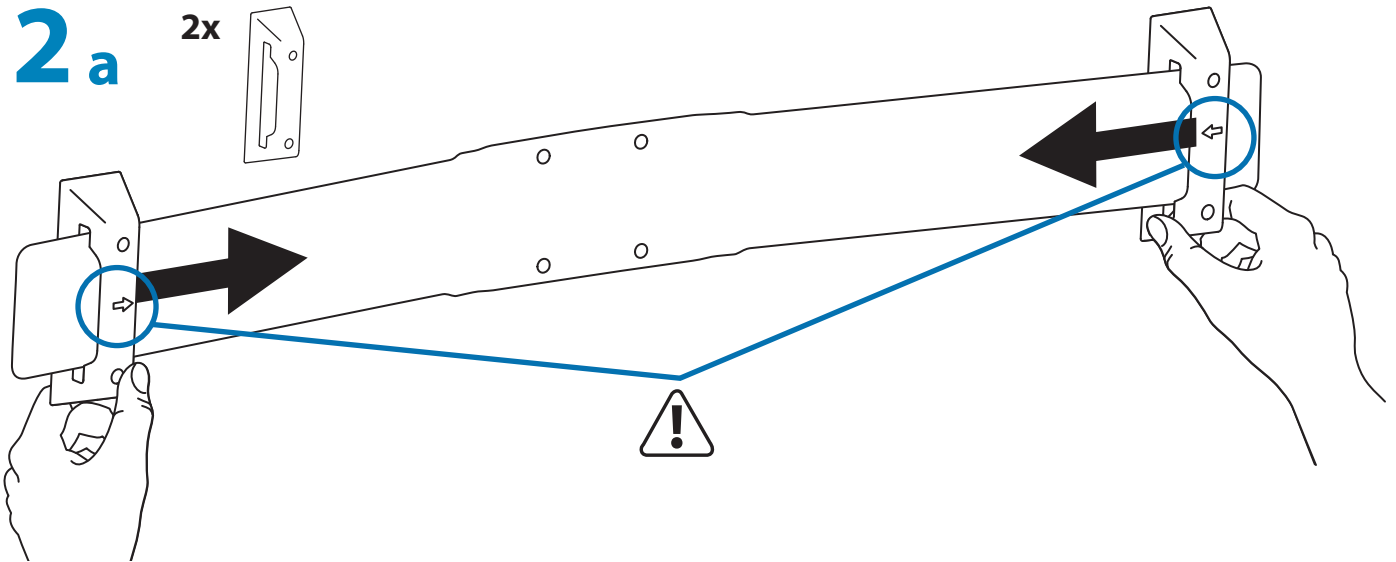
- A. Attaching this product to a mounting solution with 100 x 100 mm mounting hole pattern.
- B. Attaching this product to a mounting solution with a 50 x 50 mm mounting hole pattern.

A **B**



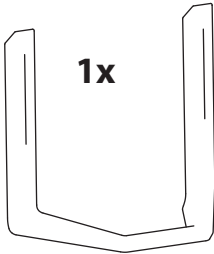
2 a

2x

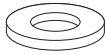


b

1x

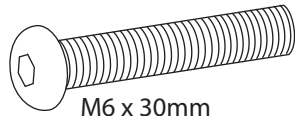


2x

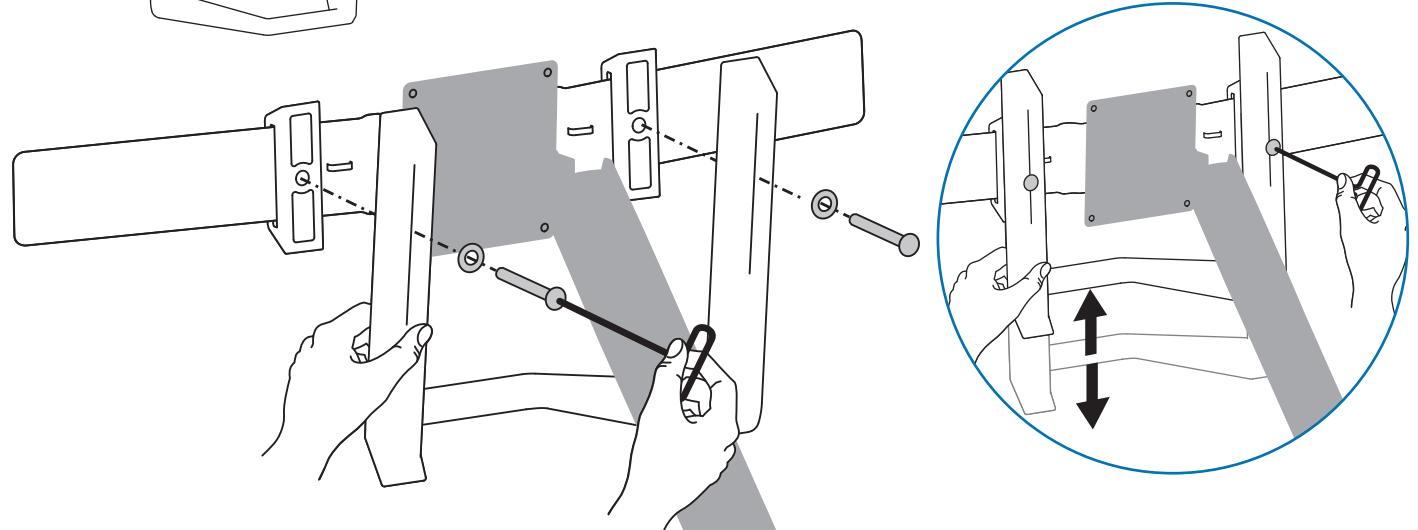


ID: 6.5 mm
OD: 12 mm
THK: 1 mm

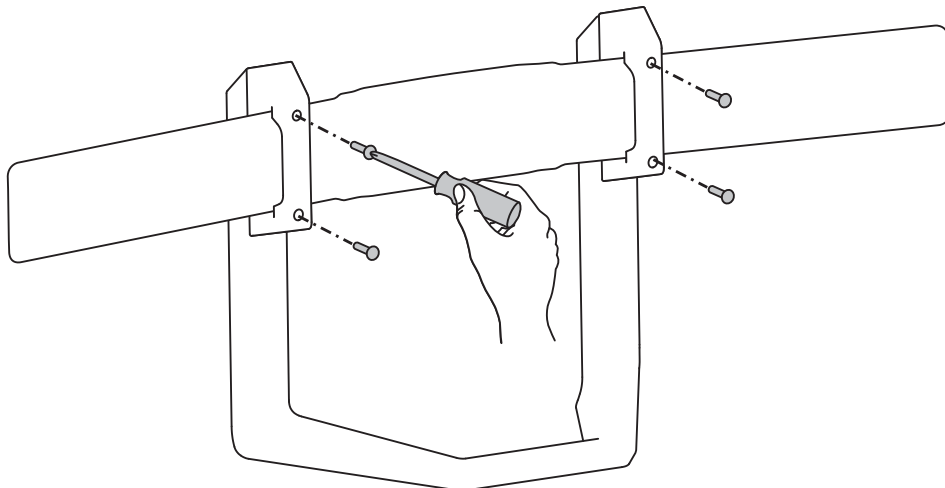
2x



M6 x 30mm



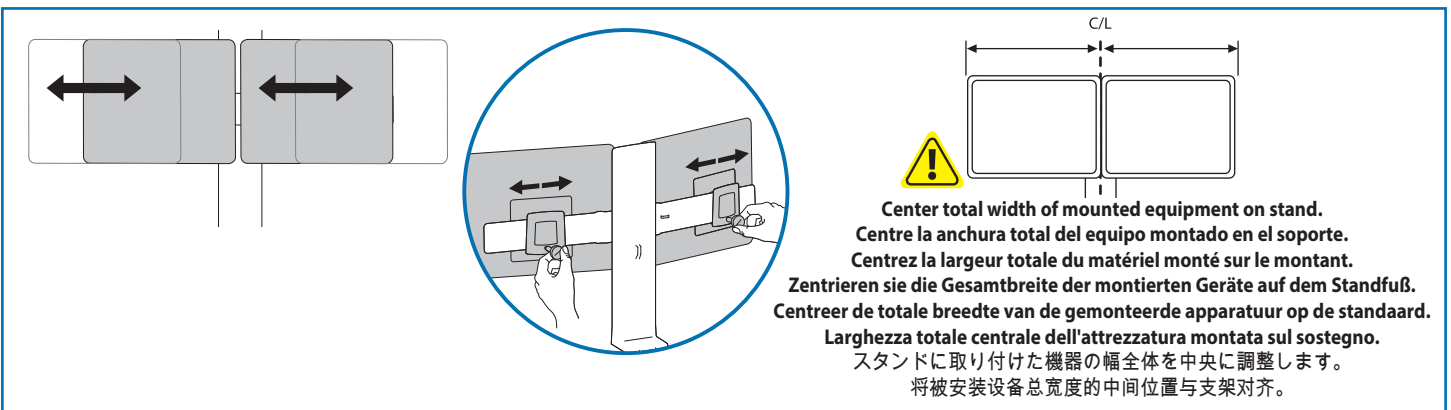
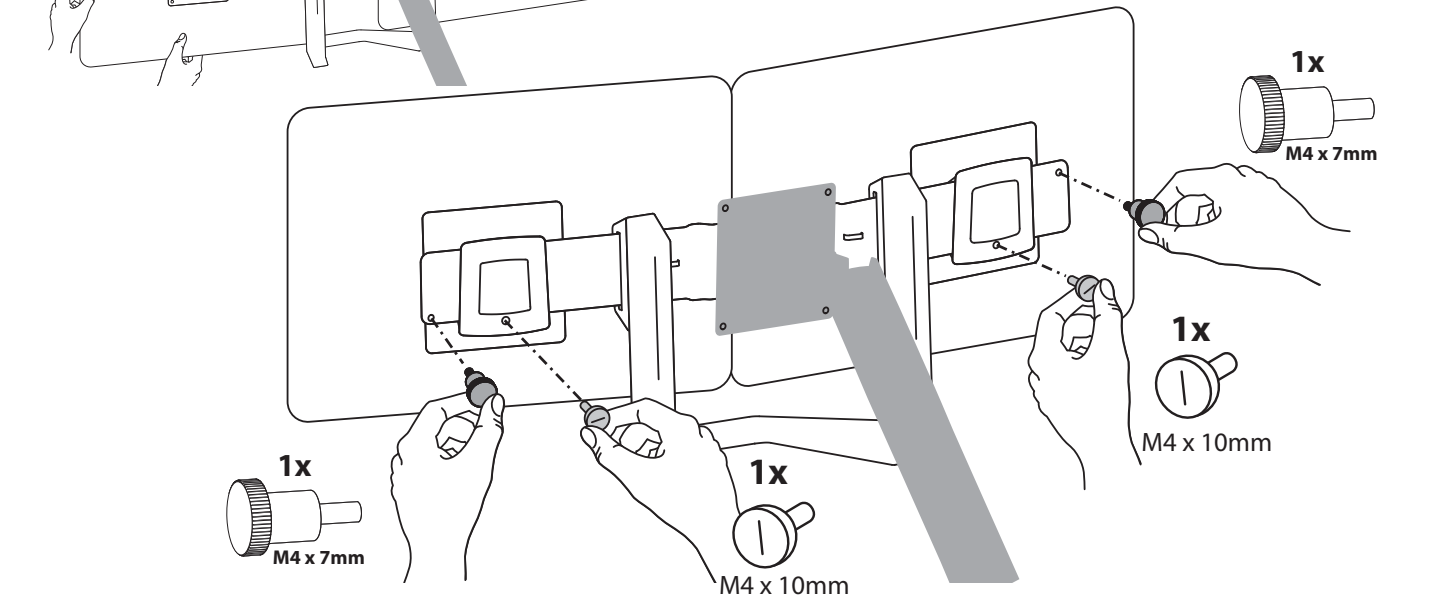
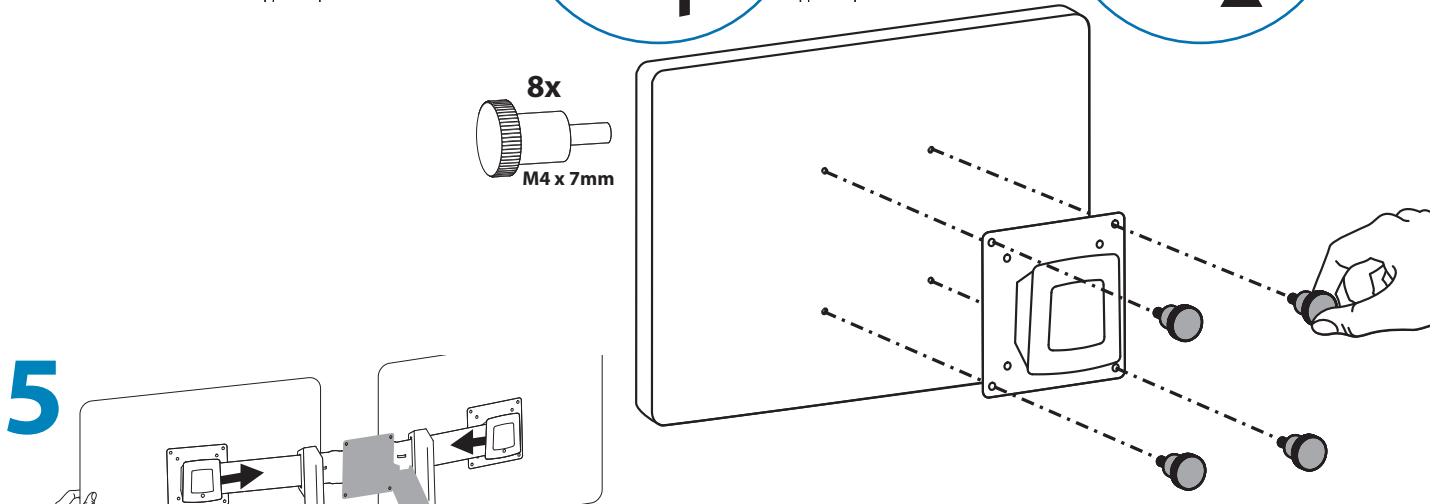
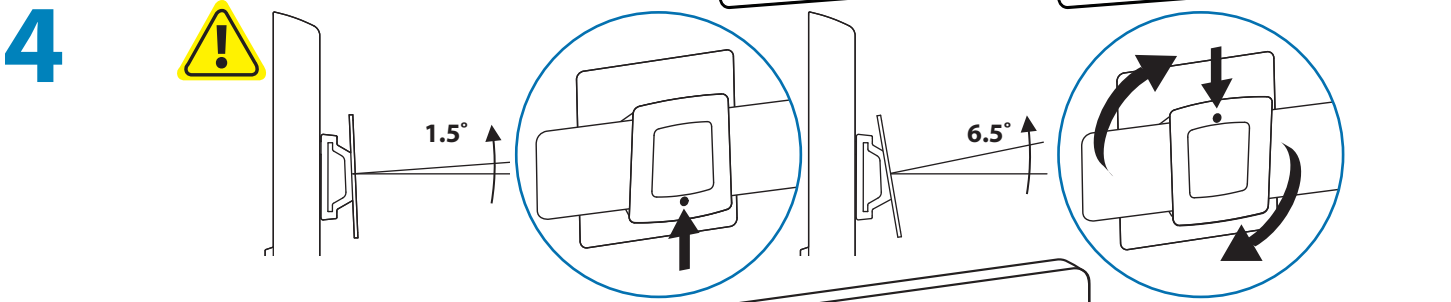
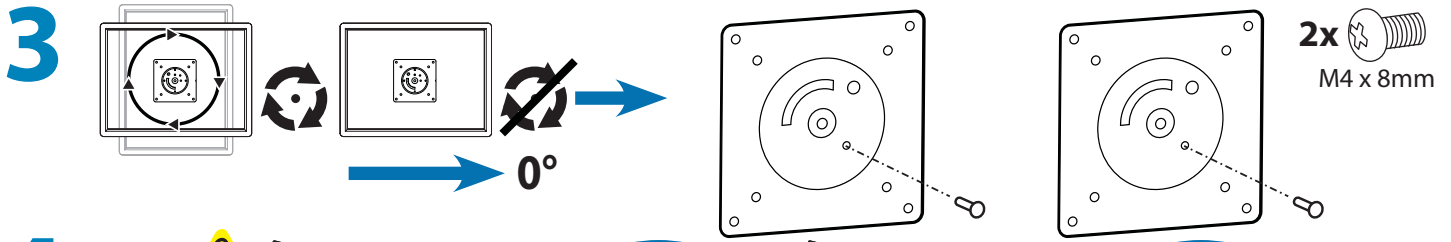
c



4x

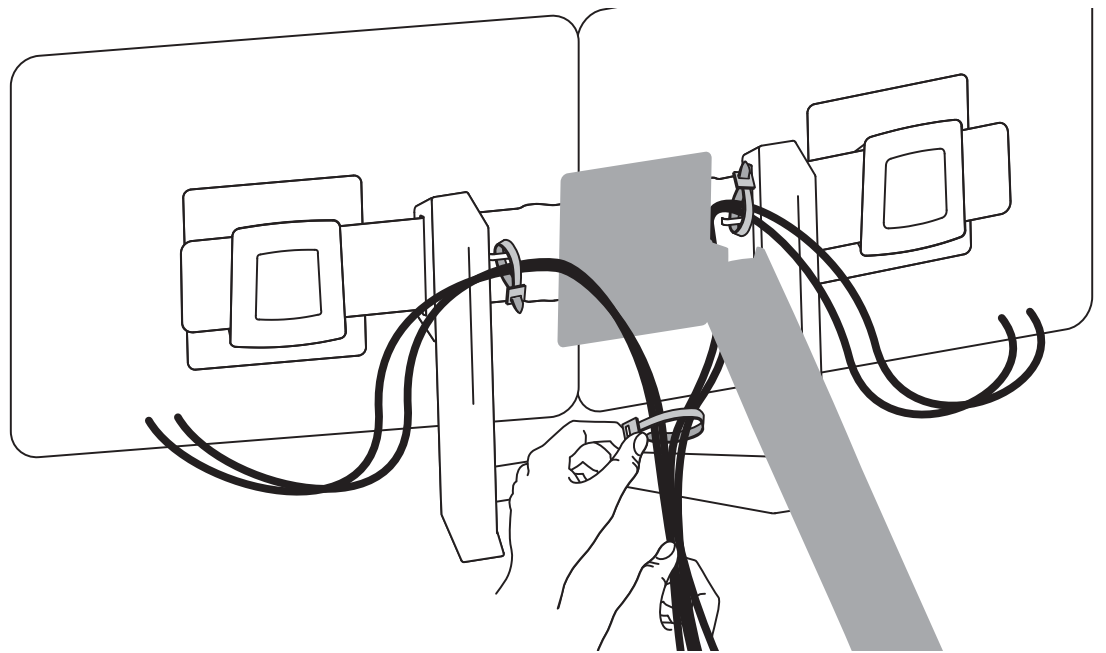
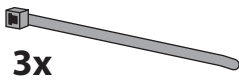


M4 x 11mm



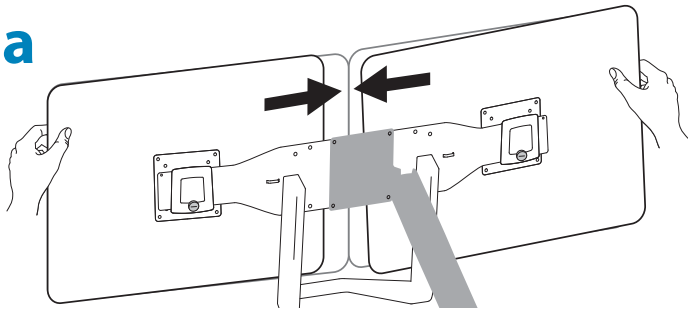
6

3x

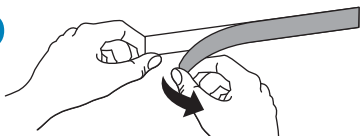


7

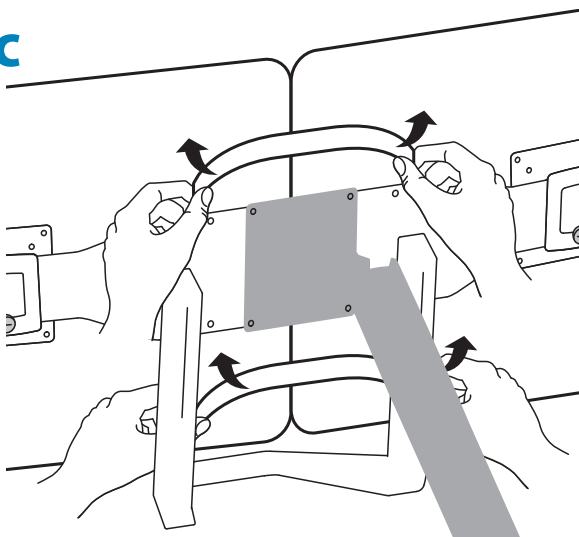
a



b



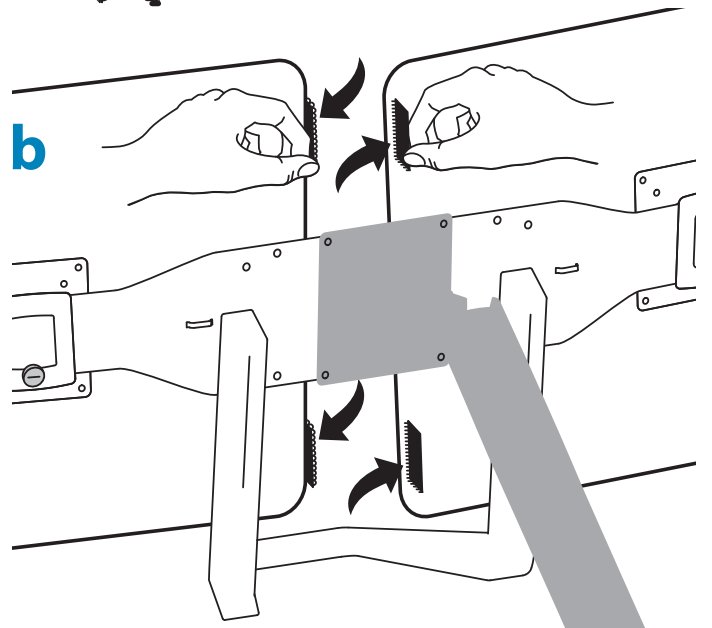
c



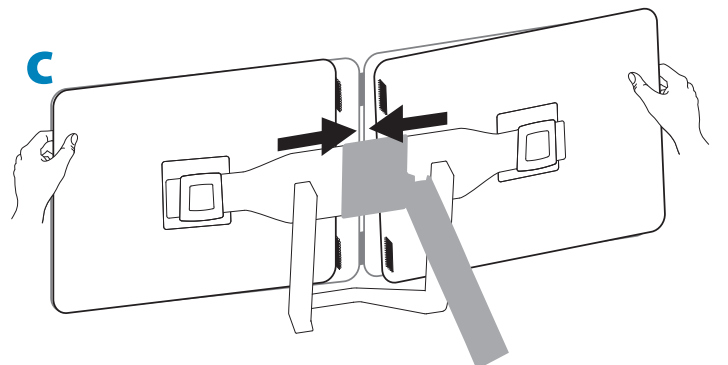
a



b



c



8



Adjustment • Ajuste • Réglage • Einstellung • Instellen • Regolazione • 調整 • 조절

Important! Adjust your mounting solution to handle the added weight.

You will need to adjust your product after installation is complete. Make sure all your equipment is properly installed on the product before attempting adjustments. Your mounting solution should move smoothly and easily through the full range of motion and stay where you set it. If movements are too easy or difficult or if product does not stay in desired positions, follow the adjustment instructions that came with your mounting solution to create smooth and easy movements. Depending on your product and the adjustment, it may take many turns to notice a difference. Any time equipment is added or removed from your mounting solution, resulting in a change in the weight of the mounted load, you should repeat the adjustment steps to ensure safe and optimum operation.

ergotron®

For Warranty visit: www.ergotron.com/warranty

For Service visit: www.ergotron.com

For local customer care phone numbers visit: <http://contact.ergotron.com>

www.ergotron.com | USA: 1-800-888-8458 | Europe: +31 (0)33-45 45 600 | China: 400-120-3051 | Japan: japansupport@ergotron.com

© 2013 Ergotron, Inc. All rights reserved.

While Ergotron, Inc. makes every effort to provide accurate and complete information on the installation and use of its products, it will not be held liable for any editorial errors or omissions (including those made in the process of translation from English to another language), or for incidental, special or consequential damages of any nature resulting from furnishing this instruction and performance of equipment in connection with this instruction. Ergotron, Inc. reserves the right to make changes in the product design and/or product documentation without notification to its users. For the most current product information, or to know if this document is available in languages other than those herein, please contact Ergotron. No part of this publication may be reproduced, stored in a retrieval system, or transmitted in any form or by any means, electronic, mechanical, photocopying, recording or otherwise without the prior written consent of Ergotron, Inc., 1181 Trapp Road, Eagan, Minnesota, 55121, USA. Patents Pending and Patented U.S. & Foreign. Ergotron is a registered trademark of Ergotron, Inc.