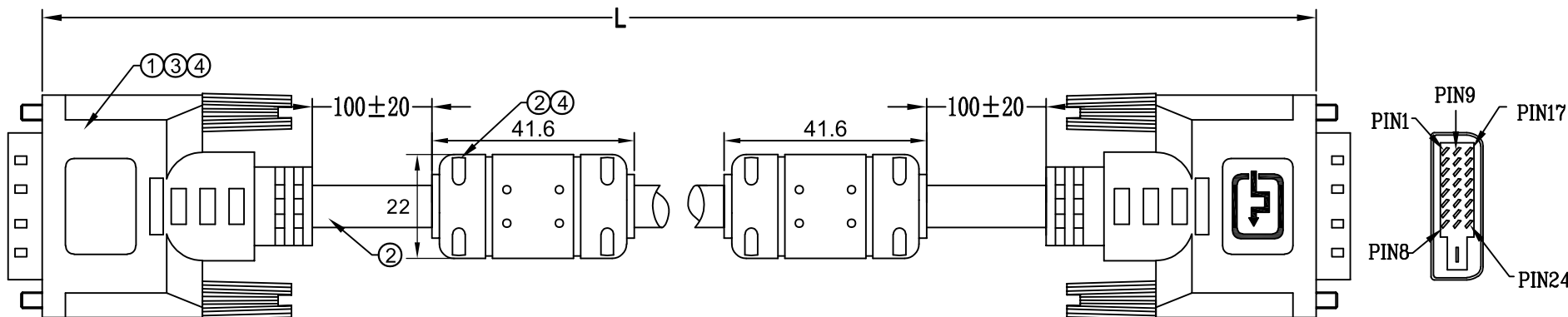


ELECTRICAL TEST:

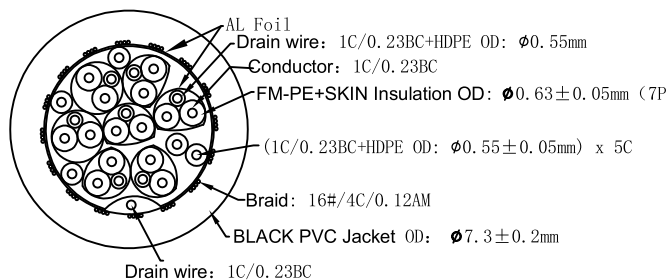
- 1.100% OPEN SHORT MIS WIRE TEST
- 2.CONTACT RESISTANCE:3 OHM MAX
- 3.INSULATION RESISTANCE:5M OHM MIN
- 4.HI-POT TEST:DC 300V/10ms
- 5.PASS 2560*1600 Pixel @60HZ TEST

CONSUMER ITEM	LENGTH(mm)
MONCC0.5F	500±20
MONCC1F	1000±30
MONCC2F	2000±30
MONCC3F	3000±30
MONCC5F	5000±50
MONCC7F	7000±50



PIN Assignment

1	1	TDMS.Date2-
P2 { 2	2	TDMS.Date2+
3	3	TDMS.Date2/4 Shield
P4 { 4	4	TDMS.Date4-
5	5	TDMS.Date4+
6	6	DDC Clock
7	7	DDC Date
9	9	TDMS.Date1-
P1 { 10	10	TDMS.Date1+
11	11	TDMS.Date1/3 Shield
P3 { 12	12	TDMS.Date3-
13	13	TDMS.Date3+
14	14	+5V Power
15	15	Ground(for+5v)
16	16	Hot Plug Detect
P0 { 17	17	TDMS.Date0-
18	18	TDMS.Date0+
19	19	TDMS.Date0/5 Shield
P5 { 20	20	TDMS.Date5-
21	21	TDMS.Date5+
22	22	TDMS.Clcok Shield
P4 { 23	23	TDMS.Clcok+
24	24	TDMS.Clcok-
shell	shell	



⑤	Cable	30AWG[(1C/0.23BC*1P+D1C/0.23BC+AL)*7P+1C/0.23BC*5C]+AL+D1C/0.23BC+B64/0.12AM Black PVC jacket OD:7.3±0.2mm	M
④	outer molding	BLACK PVC 45P	20g
③	inner molding	PE,Nature color	10g
②	Material	Size	2PCS
①	Connector	DVI AM 24P PIN:G/F,SHELL:Gold plated	2PCS
NO.	PART NAME	DESCRIPTION	UNIT

				DESCRIPTION	FINISHED PRODUCT'S FIGURE	SCALE	FIT	UNITS: MM	1RD ANGLE
				MODEL NO.	DD2001A 30AWG	△			
APPROVED	CHECKED	DRAWING	DESIGNED	DRAWING NO.		△			
		YAN	YAN	FINISHING		△	2021/02/21		A1
				MATERIAL		SYM	DATE		REVISION