

 Sandberg®

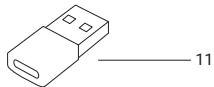
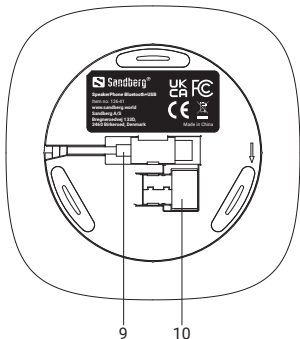
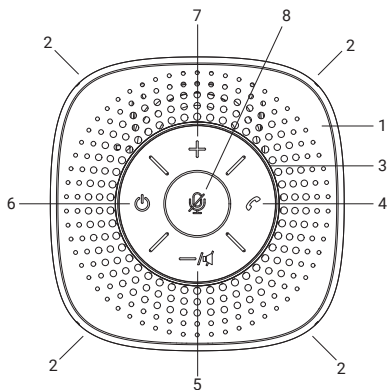
SpeakerPhone Bluetooth+USB

Quick guide

126-41

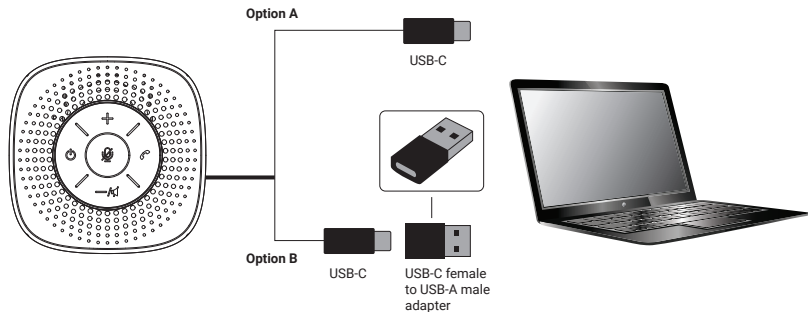


www.sandberg.world

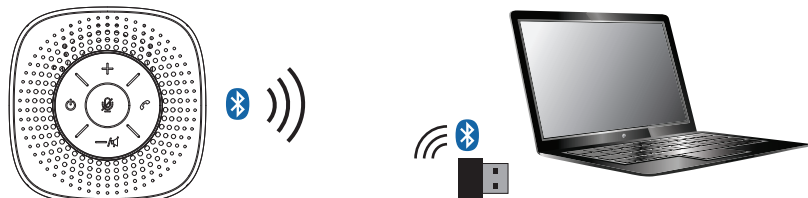
Product overview


- | | |
|------------------------|---|
| 1. Speaker body | 7. Volume up button |
| 2. Microphone | 8. Microphone mute |
| 3. LED indicator | 9. USB-C cable for recharge and wired PC connection |
| 4. Phone button | 10. USB dongle |
| 5. Volume down button | 11. USB-C female to USB-A male adapter |
| 6. Power on/off button | |

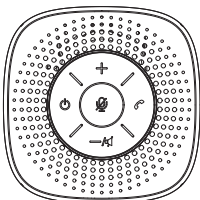
Connect to PC by cable



Connection to PC wirelessly by the included USB-dongle



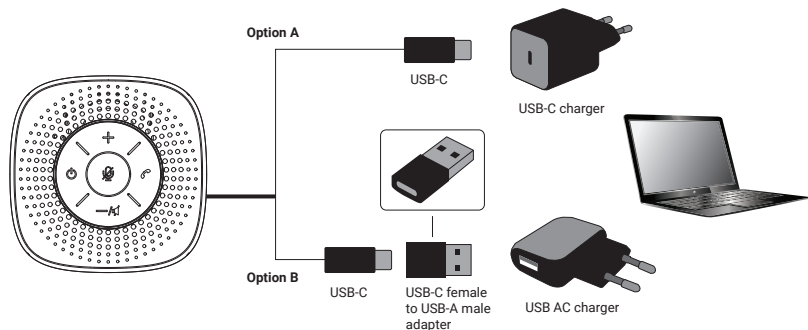
Connect wirelessly to any device with Bluetooth



Search for
"Sandberg 126-41" and
pair by Bluetooth find
new device function.



Recharging the built in battery from any USB power source



LED status indicator (3) overview

LED color	Pattern	Meaning
RED	Short (3 seconds)	Charging
GREEN	Constant	Fully charged
BLUE	Constant	Bluetooth mode, USB dongle mode
LIGHT BLUE	Constant	Wired USB connection
RED	Flash	Battery power low
OFF	Off	Speaker Off

LED Bluetooth indicator (3) overview

LED color	Pattern	Meaning
BLUE	Flash	Waiting for pairing
BLUE	Constant  "Dingdong"	Connected
OFF	Off	Bluetooth mode deactivated

Button functions

Button	Press	Function
Phone (4)	Short	Answer and disconnect call
Volume down (5)	Short	Volume down (stepwise)
Volume down (5)	Long	Volume mute
Power on/off (6)	Long	Power on/off
Power on/off (6)	Short	Play/Pause when playing music
Power on/off (6)	Twice	Disconnect Bluetooth
Volume up (7)	Short	Volume up (stepwise)
Microphone mute (8)	Short	Mute voice call
Microphone mute (8)	Short	Remove mute voice call



Declaration of Conformity

Manufacturer: Sandberg A/S
Address: Bregnerodvej 133D, 3460 Birkerød, Denmark
Product description: SpeakerPhone Bluetooth+USB
Product name/Type no: Sandberg SpeakerPhone Bluetooth+USB / 126-41

We declare under our sole responsibility that the products, to which this declaration relates, are in conformity with the Council Directives on the approximation of the laws of the EEC Member States relating to the following:

RED Directive 2014/53/EU
RoHS Directive 2011/65/EU with amendment (EU)2015/863

Following standards were applied :

EMC : EN 55032:2015/A11:2020
EN55035:2017

RED : EN 62479:2010
EN 50663:2017
EN IEC 62368-1:2014+A11:2017
EN 50332-2:2015/A11 :2020
ETSI EN 301 489-1 V2.2.3 (2019-11)
ETSI EN 301 489-17 V3.2.4 (2020-09)
ETSI EN 300 328 V2.2.2 (2019-07)

RoHS: IEC 62321-3-1:2013
IEC 62321-4:2013+A1:2017
IEC 62321-5:2013
IEC 62321-6:2015
IEC 62321-7-1:2015
IEC 62321-7-2:2017
IEC 62321-8:2017

Date: 11. November 2022

Location: Birkerød, Denmark

Name: Anders Petersen
Brand Director



Signature

**CE letter of
conformity**



Support

<http://helpdesk.sandberg.world>

Warranty

There is a five-year warranty on your Sandberg product. Please read the warranty terms and register your new Sandberg product at www.sandberg.world/warranty

5
Years
Warranty



SpeakerPhone Bluetooth+USB

Item no. 126-41

www.sandberg.world

Sandberg A/S

Bregnerødvej 133D,

3460 Birkerød, Denmark



Made in China



For information on handling electronic waste, see www.sandberg.world/weee