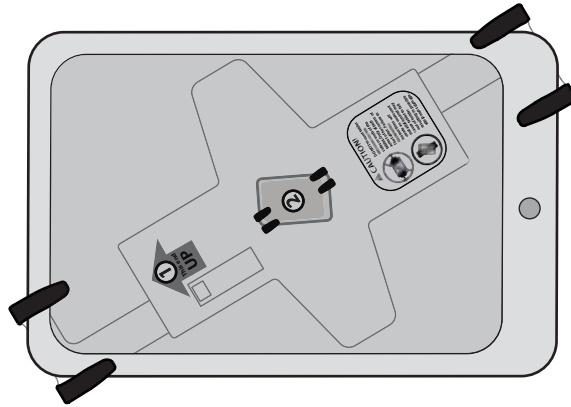
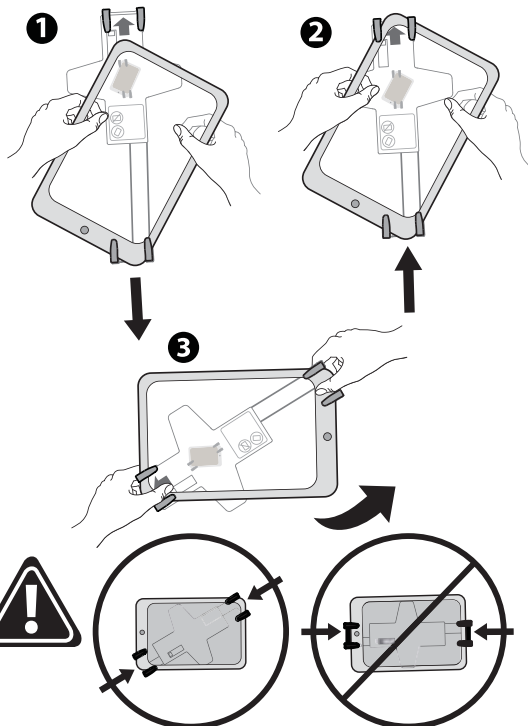


# ergotron®

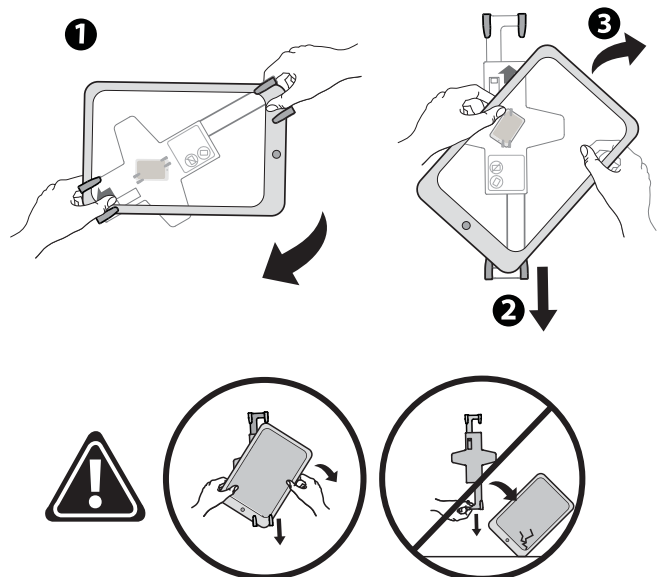
## Lockable Tablet Mount




### Mounting Tablet



### Removing Tablet

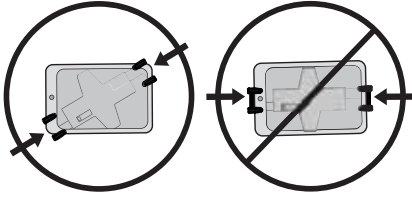


English

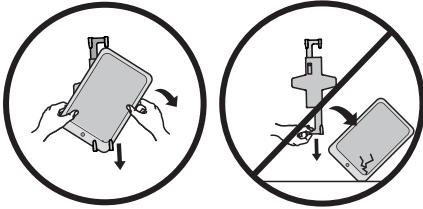
 For the latest User Installation Guide please visit: [www.ergotron.com](http://www.ergotron.com)  
English, Español, Français, Deutsch, Nederlands, Italiano, Svenska, 日本語, 汉语

[www.ergotron.com](http://www.ergotron.com) | USA: 1-800-888-8458 | Europe: +31 (0)33-45 45 600 | China: 400-120-3051 | Japan: [japansupport@ergotron.com](mailto:japansupport@ergotron.com)

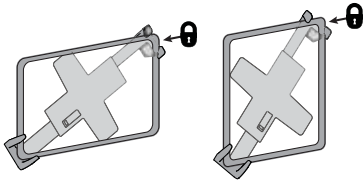
# 1 Safety



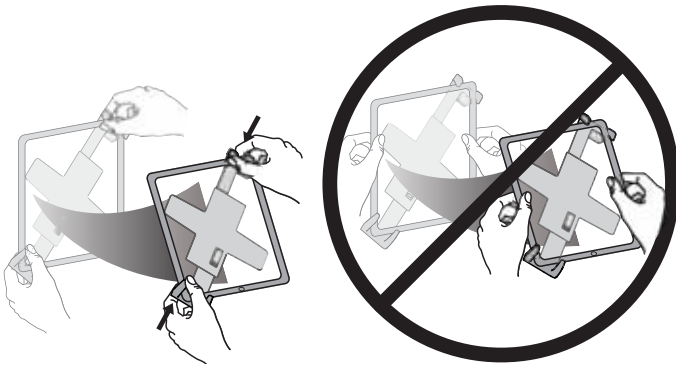
CAUTION! DO NOT mount tablet with arms on the sides or ends of the tablet. ONLY ATTACH ARMS TO THE CORNERS OF THE TABLET. Failure to follow these instructions will create an unsecured installation and may cause tablet to fall out of holder resulting in possible equipment damage.



CAUTION! Support tablet when removing from holder. Pulling holder arm out without supporting tablet will cause the tablet to fall out resulting in possible equipment damage.



Important! Always have the lock on the top. Without lock on top, tablet may come off holder if bumped and result in possible equipment damage.

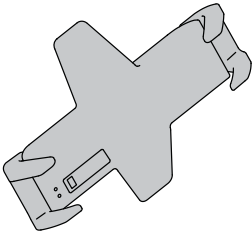



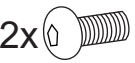


Important! Hold handles when moving mounted tablet around. Not holding handles may cause tablet to come off holder and dropped resulting in possible equipment damage.

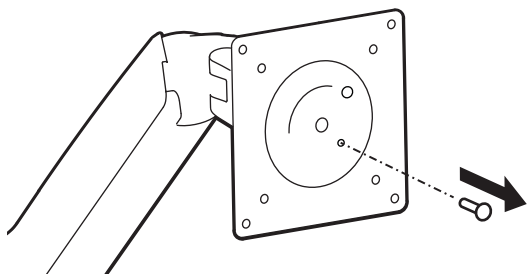
# 2 Installation



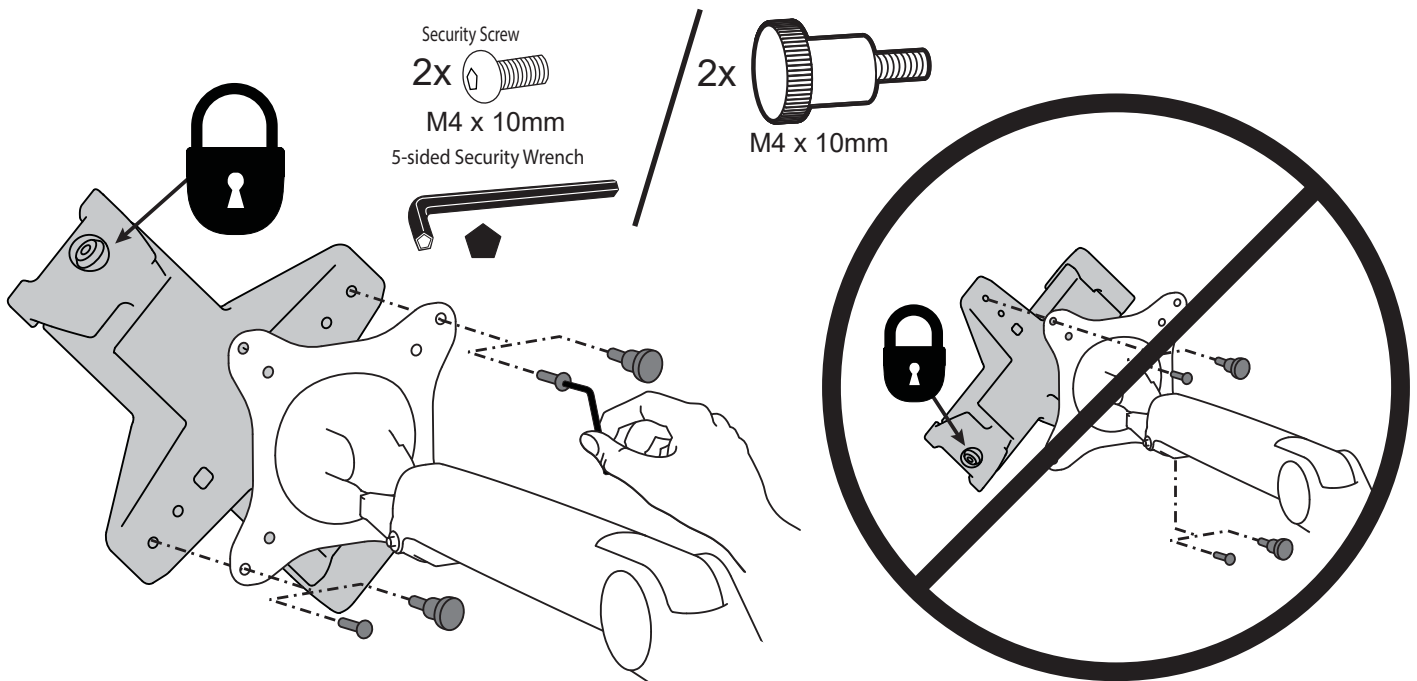
## Components

	A	B	C	D	E
1	1x 	1x 	2x  M4 x 10mm	1x  5-sided Security Wrench	2x  M4 x 10mm Security Screw

**1** Remove Portrait/Landscape rotation lock screw from the mount if its installed.



**2** Attach Tablet Mount to 75x75mm or 100x100mm VESA plate.  
NOTE: Make sure the lock is facing upward.



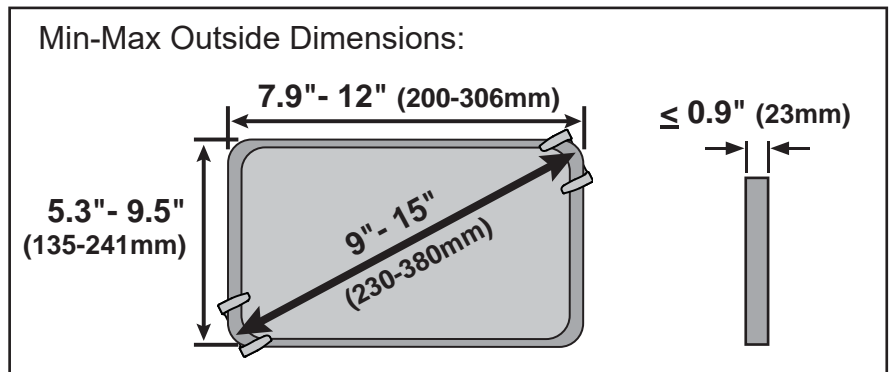
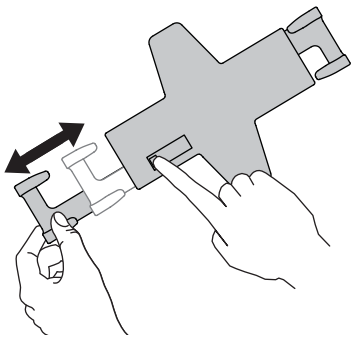
## 3 Adjustment Step

Adjust your mounting solution to handle the change in mounted weight.

Adjustments should move smoothly and easily through the full range of motion and stay where you set it. If adjustments are difficult and do not stay in the desired position, follow the instructions to loosen or tighten the tension to create a smooth, easy adjustment motion. Depending on your product and the adjustment, it may take several turns to notice a difference.

# 3 Features & Specifications

Set the ratcheting arm to fit your size tablet and allowing for centered mounting.

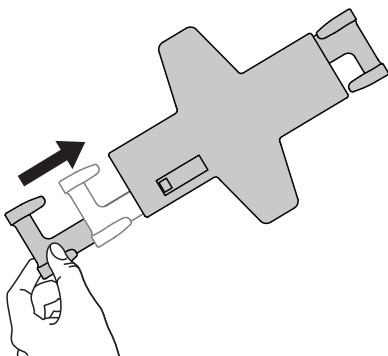


There are two options for the ratcheting arm:

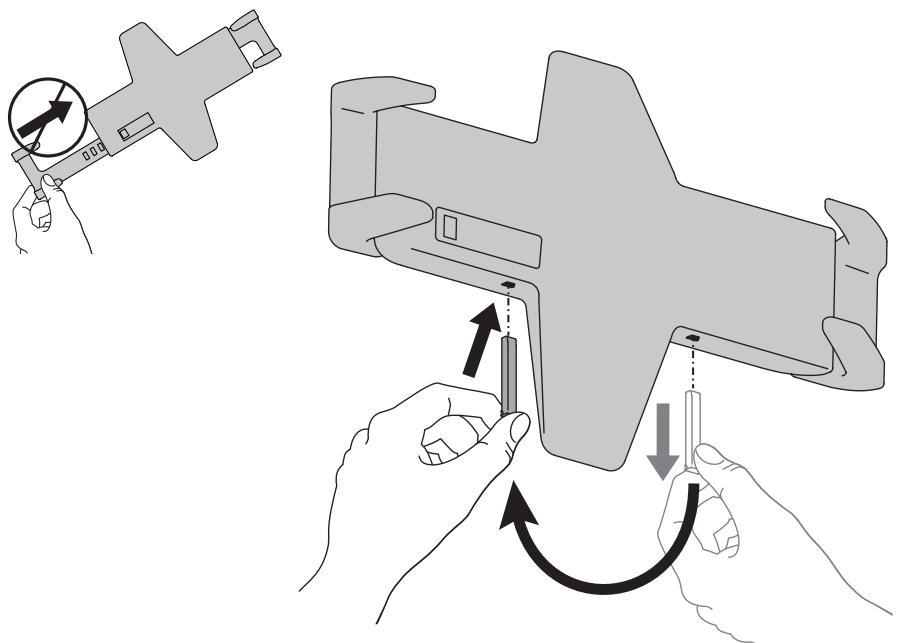
OPTION 1. As shipped, arm can be adjusted.

OPTION 2. Lock arm in place. Install the long pin into the left slot.

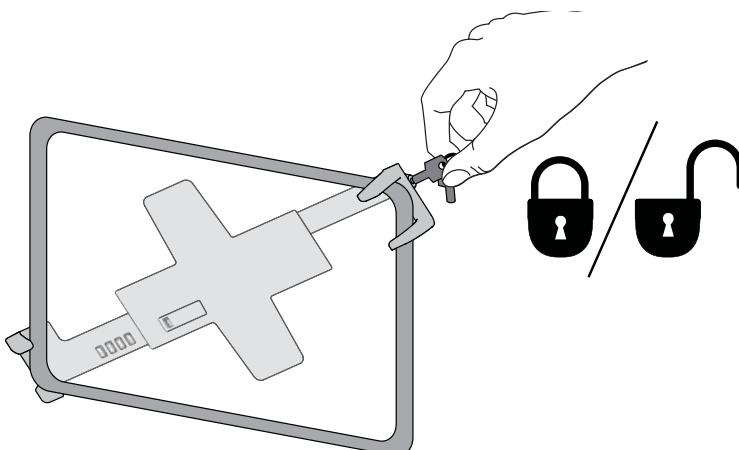
## OPTION 1



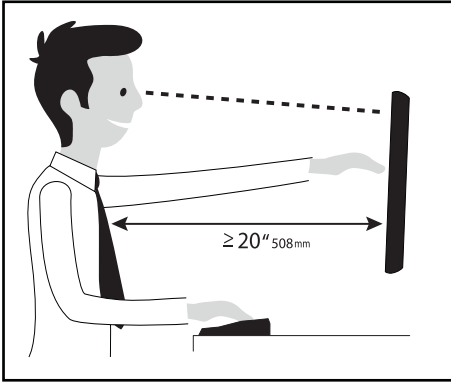
## OPTION 2



Optional.



## Set Your Workstation to Work For YOU!



Learn more about ergonomic computer use at:  
[www.computingcomfort.org](http://www.computingcomfort.org)

- Height** Position top of screen slightly below eye level.  
Position keyboard at about elbow height with wrists flat.
- Distance** Position screen an arm's length from face—at least 20" (508mm).  
Position keyboard close enough to create a 90° angle in elbow.
- Angle** Tilt screen to eliminate glare.  
Tilt the keyboard back 10° so that your wrists remain flat.

### To Reduce Fatigue

- Breathe - Breathe deeply through your nose.
- Blink - Blink often to avoid dry eyes.
- Break • 2 to 3 minutes every 20 minutes
- 15 to 20 minutes every 2 hours.

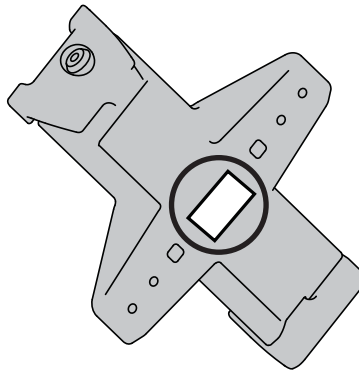
---

**For Warranty visit: [www.ergotron.com/warranty](http://www.ergotron.com/warranty)**

**For Service visit: [www.ergotron.com](http://www.ergotron.com)**

**For local customer care phone numbers visit: <http://contact.ergotron.com>**

**NOTE:** When contacting customer service, reference the serial number.



---

# ergotron®

[www.ergotron.com](http://www.ergotron.com) | USA: 1-800-888-8458 | Europe: +31 (0)33-45 45 600 | China: 400-120-3051 | Japan: [japansupport@ergotron.com](mailto:japansupport@ergotron.com)

© 2015 Ergotron, Inc. All rights reserved.

While Ergotron, Inc. makes every effort to provide accurate and complete information on the installation and use of its products, it will not be held liable for any editorial errors or omissions (including those made in the process of translation from English to another language), or for incidental, special or consequential damages of any nature resulting from furnishing this instruction and performance of equipment in connection with this instruction. Ergotron, Inc. reserves the right to make changes in the product design and/or product documentation without notification to its users. For the most current product information, or to know if this document is available in languages other than those herein, please contact Ergotron. No part of this publication may be reproduced, stored in a retrieval system, or transmitted in any form or by any means, electronic, mechanical, photocopying, recording or otherwise without the prior written consent of Ergotron, Inc., 1181 Trapp Road, Eagan, Minnesota, 55121, USA Patents Pending and Patented U.S. & Foreign. Ergotron is a registered trademark of Ergotron, Inc.