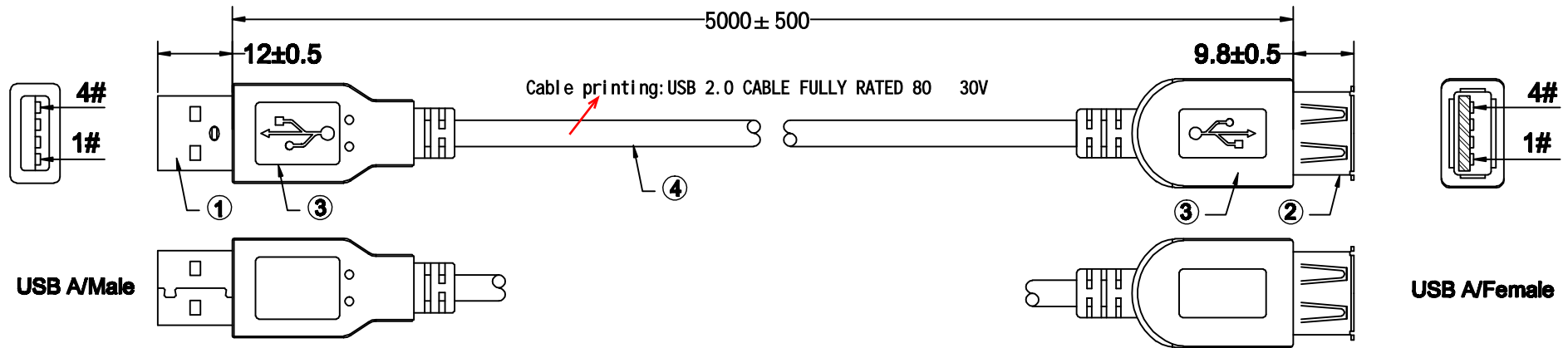


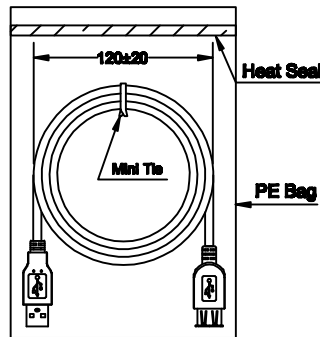


RoHS Compliant ✓

REV.	REVISED DESCRIPTION	DATE	CHECKED
A0	FIRST RELEASE	2022/05/08	

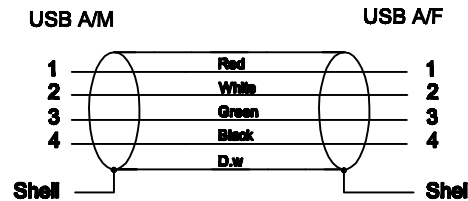


HANK SIZE



Packing:1PC/PE Bag

CONNECTION



ELECTRIC TESTING

- 100% OPEN & SHORT TESTING
- INSULATION RESISTANCE: $\geq 20M\Omega$
- CONDUCTOR RESISTANCE: $\leq 5\Omega$
- VOLTAGE: 300V DC/0.1S



ITEM	SPECIFICATION
4	Cable Spec: (7/0.12BC*2C)+7/0.12BC+7/0.12BC+AL+Weave 64/0.12AL OD: 4.0+-0.2MM Black Jacket
3	BLACK-PVC 45P
2	USB A/Female(REV. 2.0)-Nickel Plated
1	USB A/Male(REV. 2.0)-Nickel Plated

	TOLERANCES UNLESS OTHERWISE STATED
X.	= ±1
.X	= ±0.2
.XX	= ±0.1

ERP NO.:		SAMPLE DWG NO:	
DOC No.:		REVISION	A0
CUSTOMER:		UNIT	mm
CUSTOMER P/N:		SCALE	NO
DESCRIPTION	USB 2.0 CABLE AM-AF	PAGE NO	1/1
APPROVAL		DATE	2023/03/03
CHECKED		DRAWN	Rocky