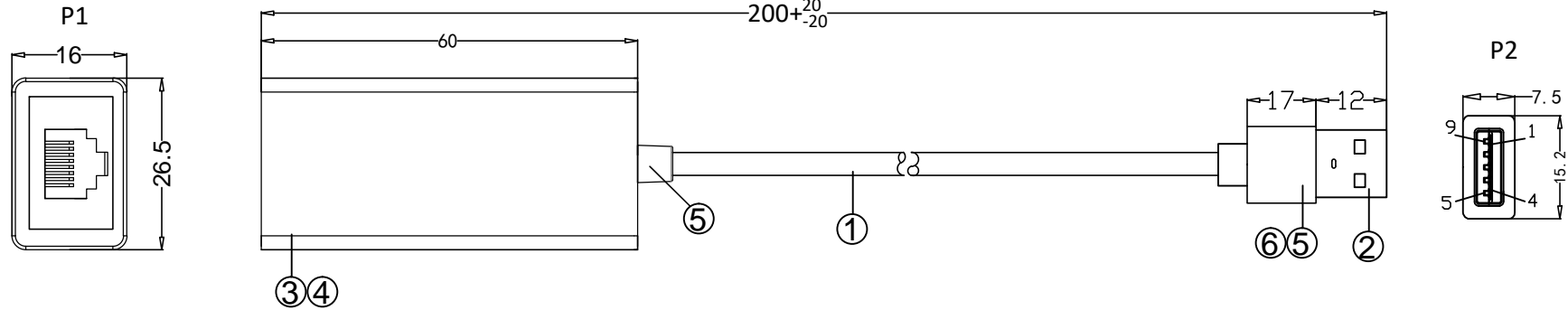


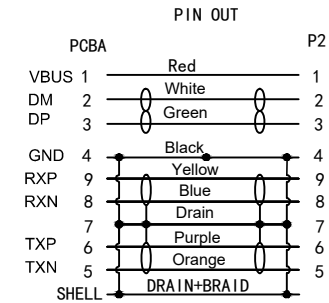
RoHS compliant

REV	MODIFICATION	DATE
A0	ISSUE	2023.10.13



Computer test:

1.Connect LAN CABLE can work well;



⑥	OUTER MOLDED	45P White PVC	3	G			
⑤	INNER MOLDED	LDPE	3	G	角法 PROJ:		容忍公差 TOLERANCE: XX= XXX=
④	Plastic Hood	White ABS SHELL (HX-P/N:10070799)	1	PCS	比例 SCALE: NONE	版本 REV: A0	产品名称 PRODUCT NAME: USBETHGW
③	PCBA	RJ45 Female: Metal Shell nickel plated, PCBA+IC:RTL8153(HX-P/N:10060803)	1	PCS	单位 UNIT: MM	页次 SHEET: 1/1	产品料号 PART NO: 202300024
②	CONNECTOR	USB3.0 A M : PIN G/F Metal Shell nickel plated	1	PCS	客户回签 SUST APPROVED:		客户 CUST:
①	CABLE	[30#(7/0.10TC)*1P+AEM]*2P+2 4#(7/0.20TC) *2C+30#(7/0.10TC)*1P+AL+ D(1/0.254BC)+B(64/0.12AL-MG) White PVC OD:4.5±0.2MM Printing: HIGH SPEED USB3.0 CABLE E*****兄 AWM STYLE 20276 80°C 30V VW-1	185	MM	核准 APPROVED:		
	NAME	SPECIFICATIONS	Q'TY	UNIT	制图 DRAWING: CEASAR 2023/10/13		