

Warning!
Always check the depth of the holes before starting an installation.

تحذير
الحرص دائما على الترتيب قبل أن تبدأ في عملية التركيب.

ADVARSEL!
Kontroller alltid hullernes dybde, før du går i gang med en installation.

WARNUNG!
Vor Beginn des Einbaus immer die Tiefe der Bohrungen überprüfen.

ΠΡΟΕΙΔΟΠΟΙΗΣΗ!
Ελέγχετε πάντοτε το βάθος των οπών προτού ξεκινήσετε την εγκατάσταση.

WARNING!
Always check the depth of the holes before starting an installation.

¡AVISO!
Controle siempre la profundidad de los agujeros antes de iniciar una instalación.

VAROITUS!
Selvitä reikien syvyyks ennen asentamisen aloittamista.

ATTENTION !
Vérifiez toujours la profondeur des trous avant de commencer l'installation.

ATTENZIONE!
Verificare sempre la profondità dei fori prima dell'installazione.

Varovani!
Pred začátkem instalace vždy zkontrolujte potřebnou hloubku všech otvorů.

ADVARSEL!
Sjekk alltid hvor dype hullene er før du begynner å montere.

OSTRZEŻENIE!
Przed przystąpieniem do montażu należy koniecznie sprawdzić głębokość otworów.

ΠΡΕΔΥΠΕΡΦΕΡΕΝΗ!
Περιοδω τον εγκατάσταση πάντα να ελέγχετε την βάθος των οπών.

WARNING!
Kontrollera alltid hålens djup innan en installation påbörjas.

UYARI!
Montaja başlamadan önce daima deliklerin derinliğini kontrol edin.

警告!
请始终在开始安装前检查孔洞的深度。

WARRANTY CARD MULTIBRACKETS.COM

MULTIBRACKETS™ Limited Warranty
Multibrackets warrants its products to be free of defects in material and workmanship for the product's Warranty Period. The Warranty Period commences on the original purchase date of the product.

All Multibrackets products are covered by a limited product warranty:

- **FIVE (5) years for metal video monitor mounts; all racks and non-electrical rack accessories**
- **TWO (2) years for gaslifts and sit-stand workstations**
- **ONE (1) year for all motorized and/or automated products, plastic speaker mounts; all speaker stands; all furniture; all wood (MDF) accessories**

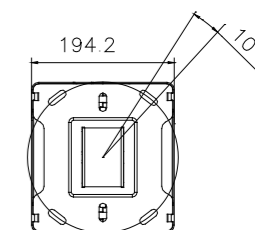
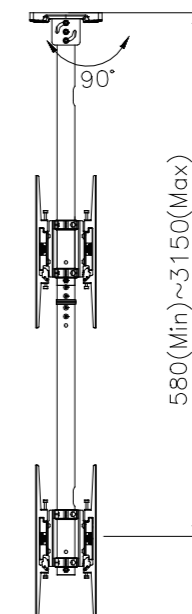
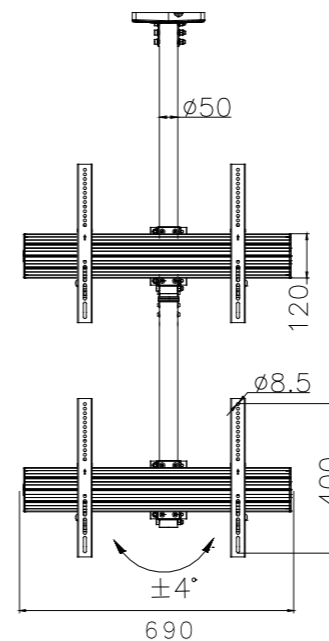
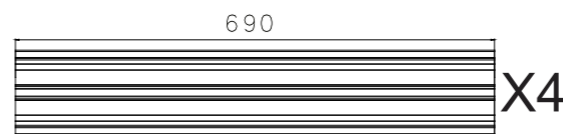
For warranty claims made during the Warranty Period, MULTIBRACKETS will replace any defective product part free of charge. Should a part on your Multibrackets product fail, please create an RMA case on www.multibrackets.com/support to make a warranty claim. We will await your documentation and then discuss the problem with you and once we confirm the product is under warranty, we will ship replacement parts to you. This Limited Warranty does not cover the costs of removing and replacing defective parts from your Multibrackets product. So, if your problem requires a repair technician, you must pay any labor charges.

This Limited Warranty extends only to the original purchaser of the product and is automatically void if your Multibrackets product is modified in any way, improperly installed, taxed beyond its stated weight capacity or otherwise misused or abused. All Multibrackets products are intended for indoor use only and any outdoor use voids this Limited Warranty. The Limited Warranty for wall and ceiling mounts is void if the mount is moved from its initial installation. To the maximum extent permitted by applicable law, Multibrackets disclaims any other warranties, express or implied, including warranties of fitness for a particular purpose and warranties of merchantability. Multibrackets will not be liable for any damages whatsoever arising out of the use or inability to use its products, even if Multibrackets has been advised of the possibility of such damages. To the maximum extent permitted by applicable law, Multibrackets disclaims any responsibility for incidental or consequential damages.

Multibrackets™ Stockholm Sweden 2016.
www.multibrackets.com



Dimensions



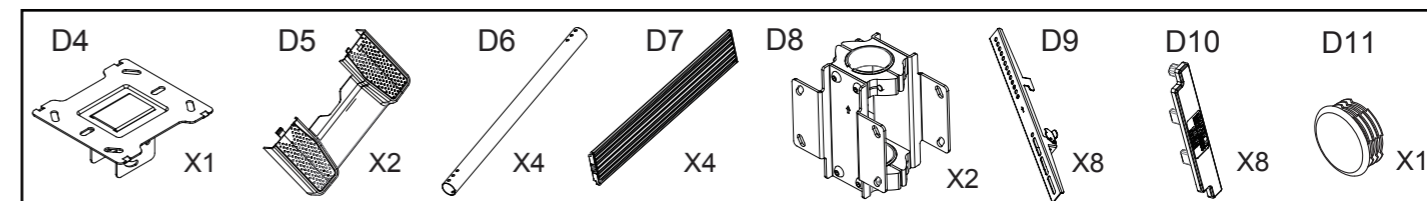
Parts list

A1	A2	A3	A4	
M5X15	M6X15	M8X15	Ø16XØ6.2X1.5	X4
X4	X4	X4	X4	

B1	B2	B3	B4	B5	B6		
M8X12	Ø16XØ8.2X1.5	3mm/5mm	M5	Open-wrench	5mm/6mm	M8	X2
X8	X8	X1	X4	X1	X1	X8	

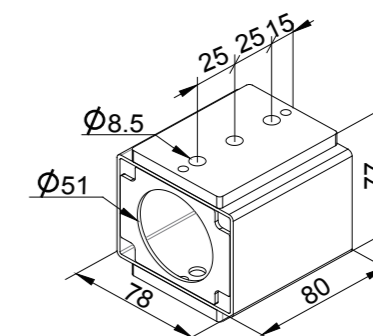
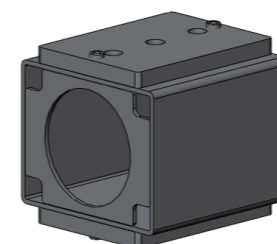
C1	C2	C3	C4	C5	C6	
M8X70	Ø18XØ8.2X1.5	M8X60	M8	Lag bolt	Anchor	X1
X3	X12	X1	X4	X6	X6	

D1	D2	D3	
	M8X12		X3
X2	X8	X1	

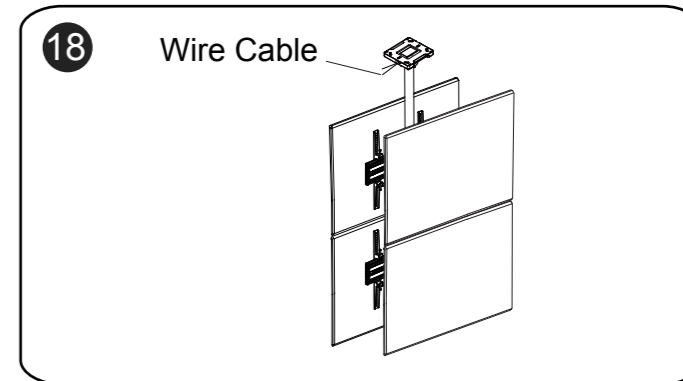
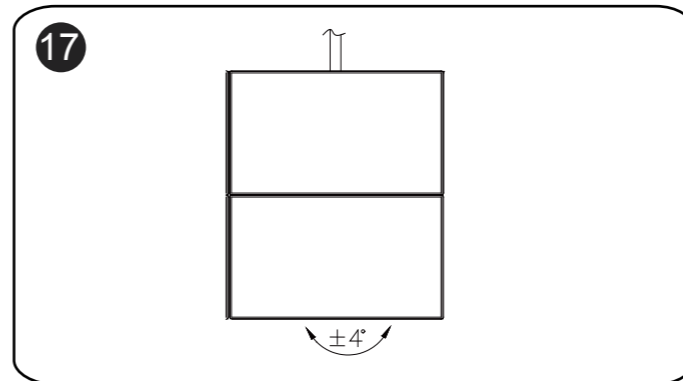
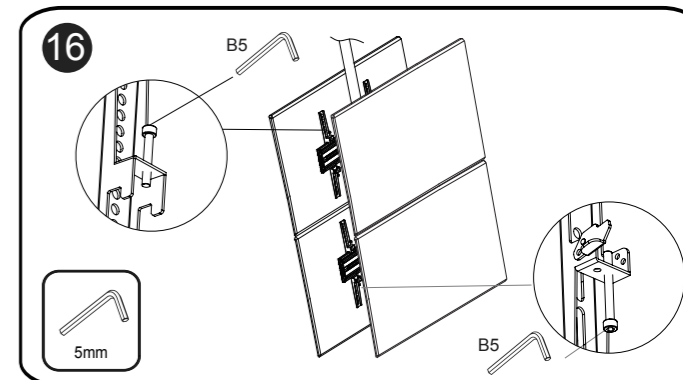
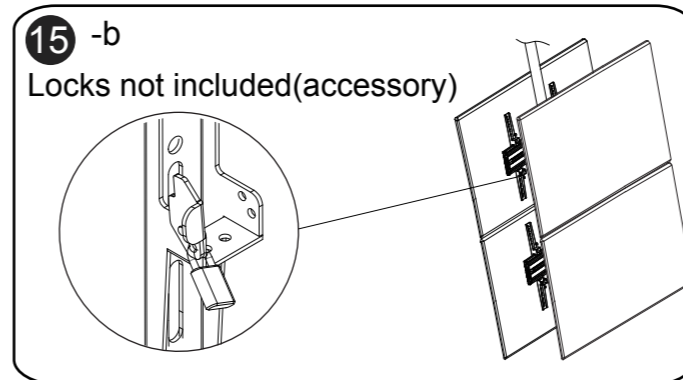
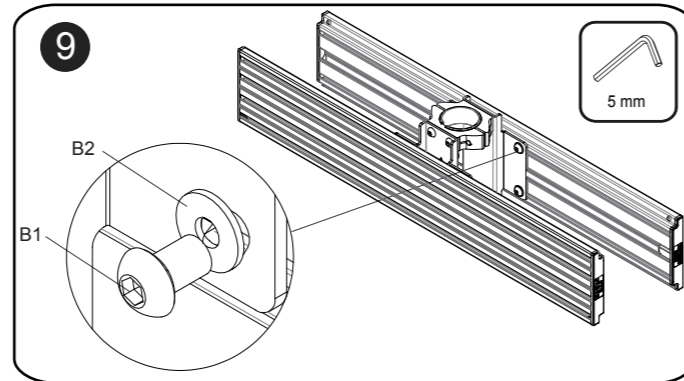
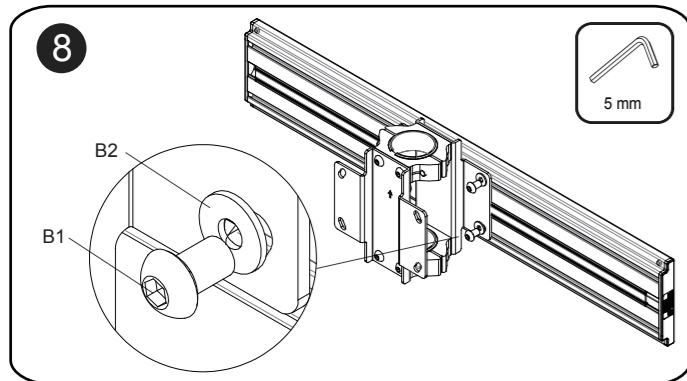
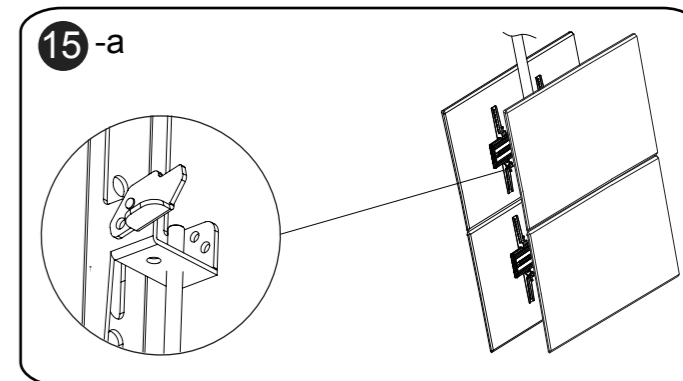
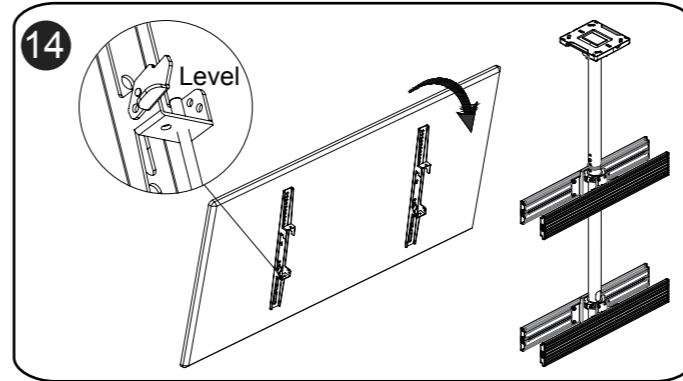
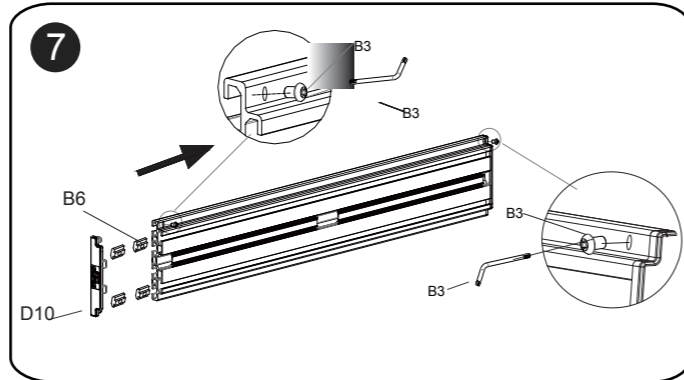
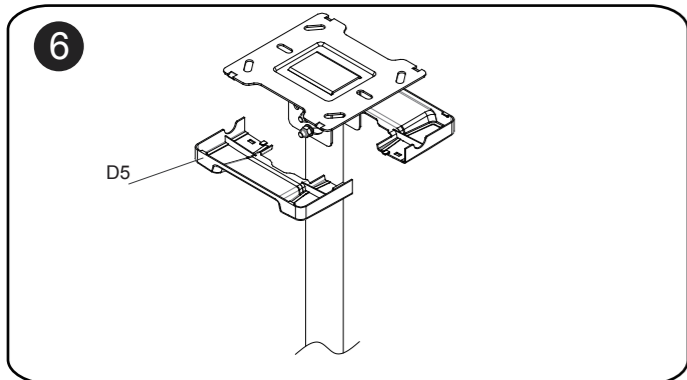
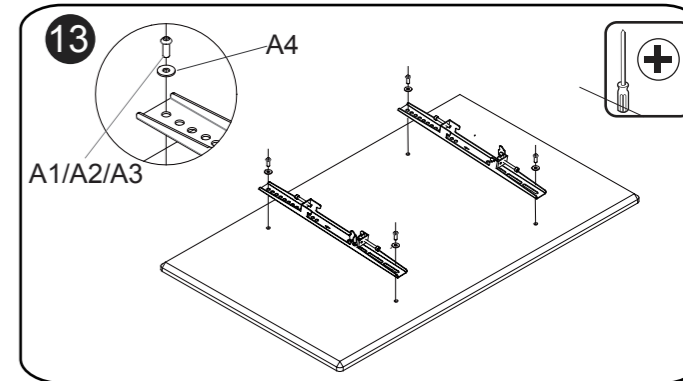
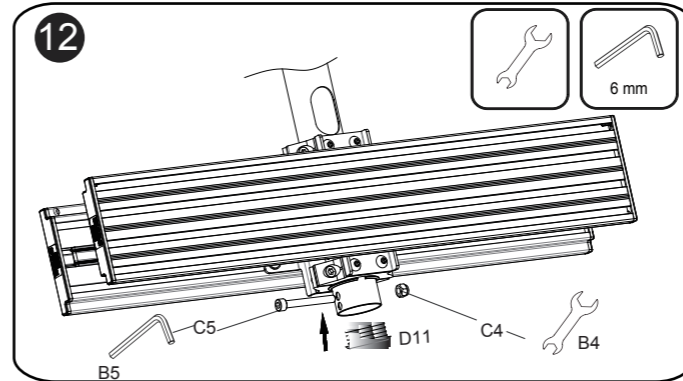
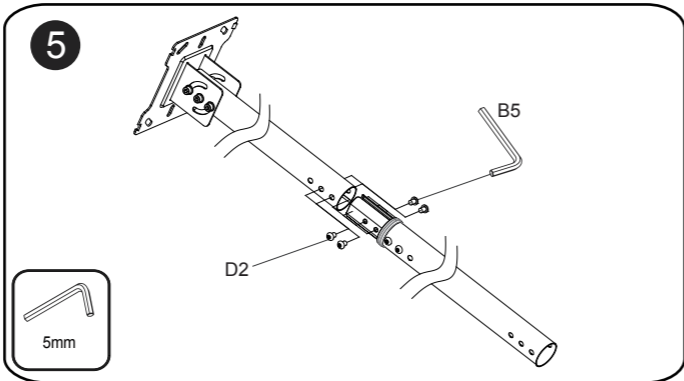
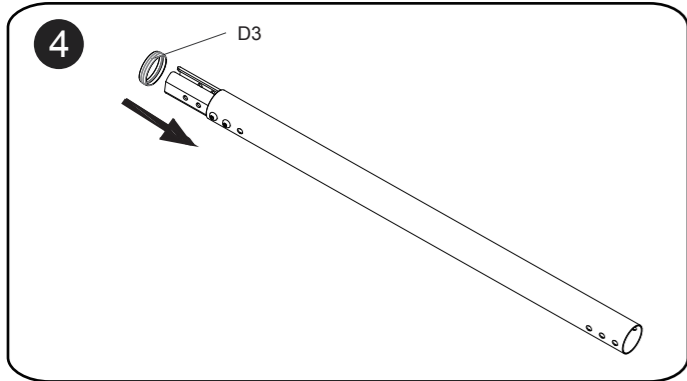
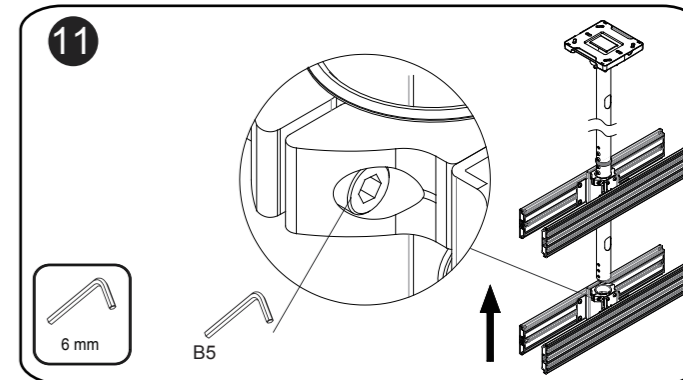
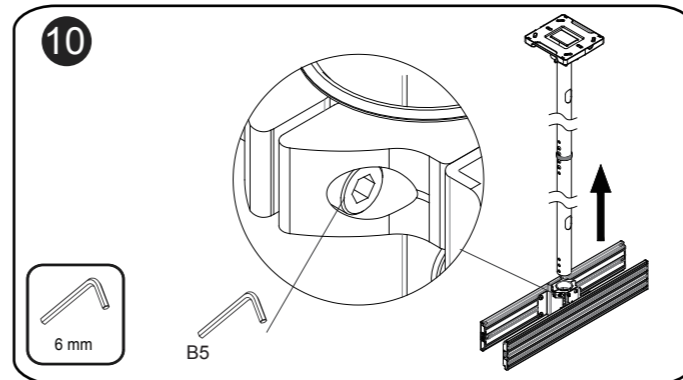
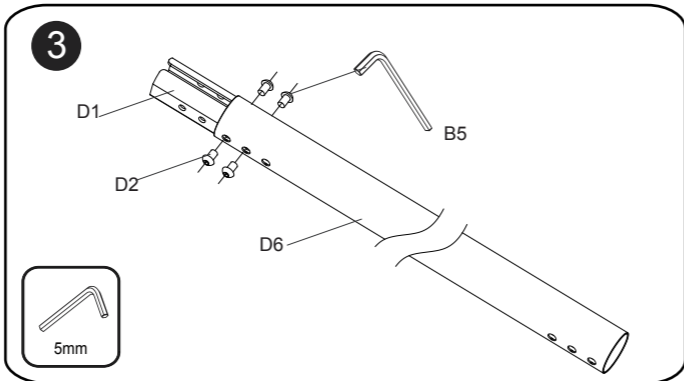
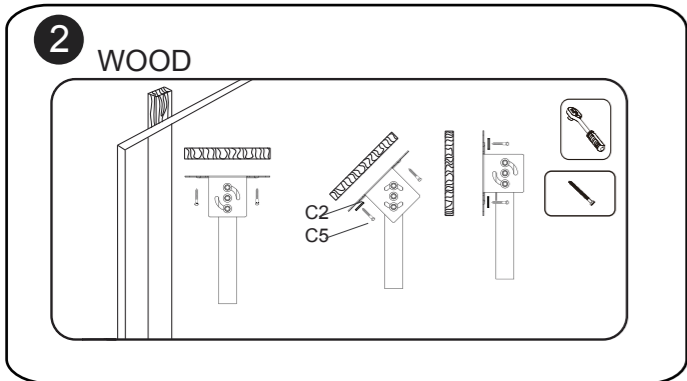
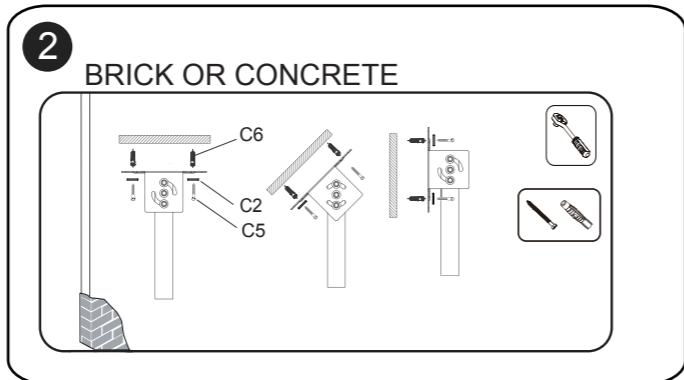
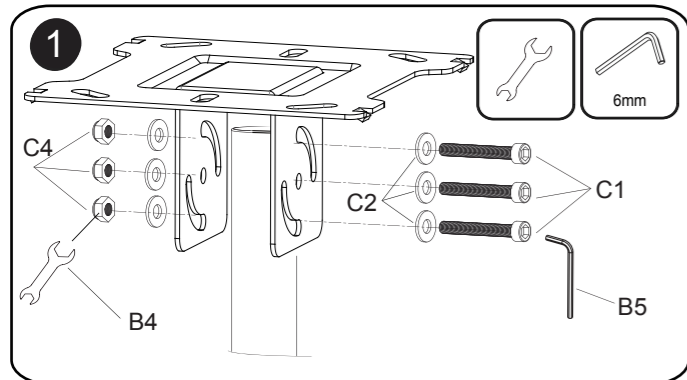


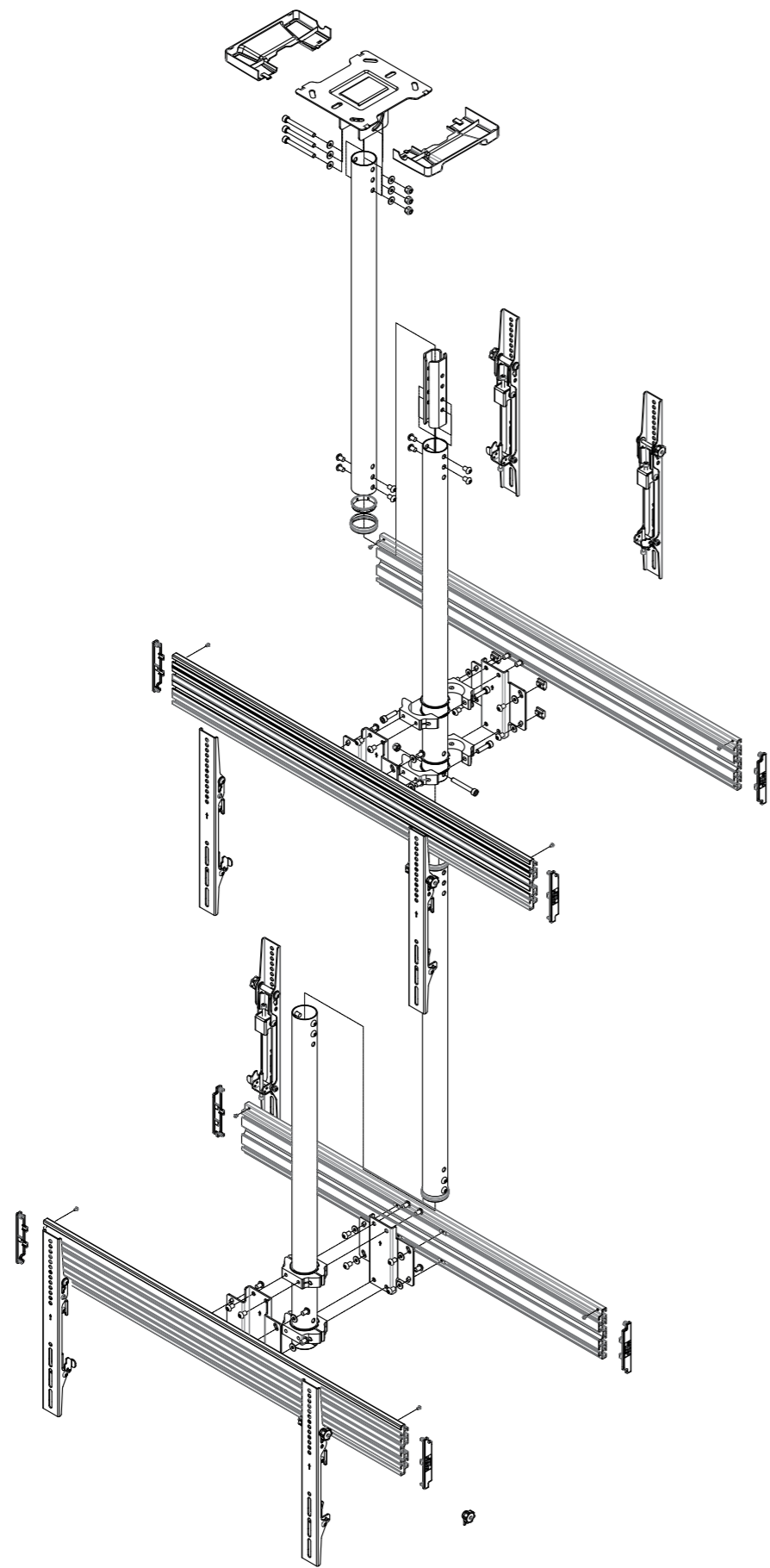
Optional Tool (Not included in the box)

M Pro Series-Pole Drill Fixture
EAN:7350073734214



Installation



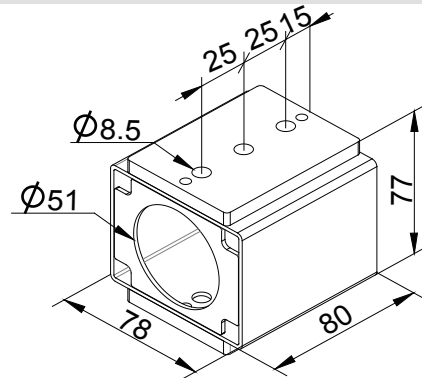
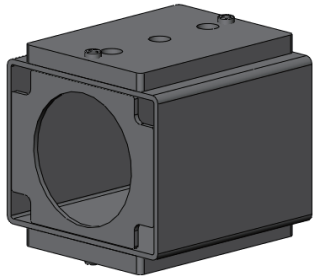


User Manual


M Pro Series-Pole Drill Fixture (Optional Tool)

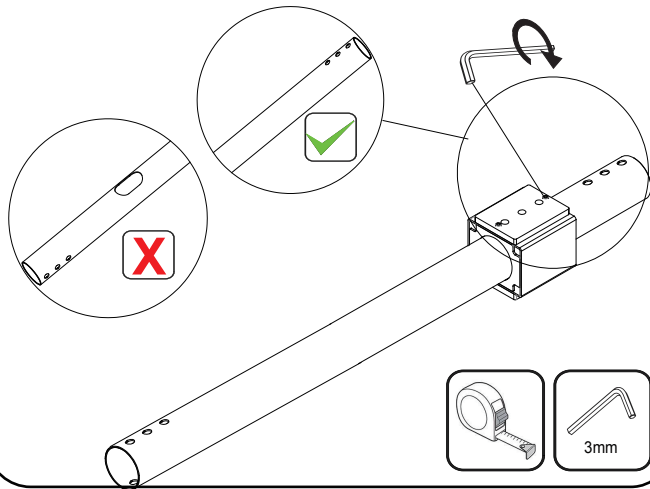
EAN: 7350073734214

The accessory M Pole Drill Fixture is a tool for drilling new holes when extension pipe has been cut.

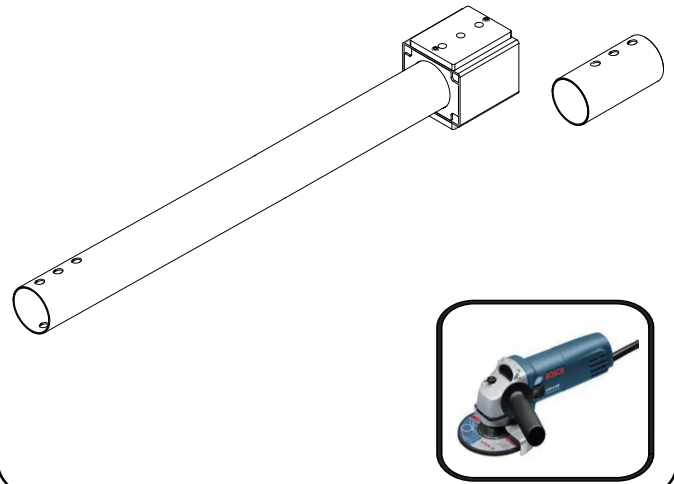


Installation

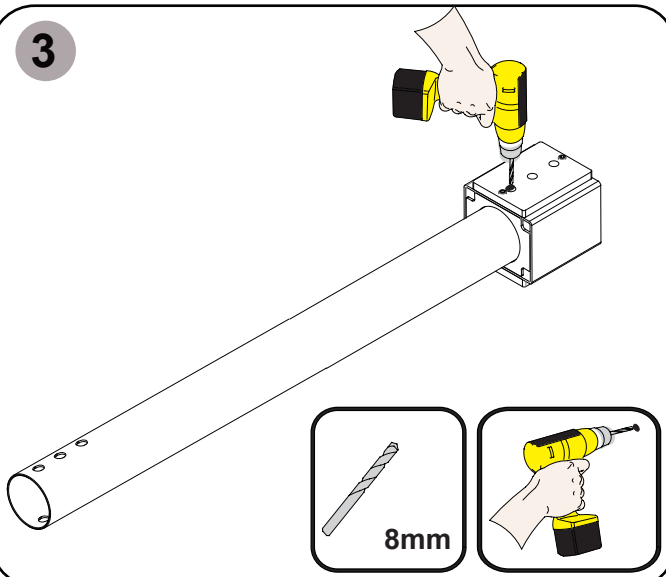
- 1**  PLS DO NOT CUT THE CABLE MANAGEMENT HOLE !



- 2**



- 3**



- 4**

